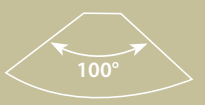




Pockit[®] 120-L

120V PUCK LIGHTING



118 Lumens



Pockit® 120-L

The Tresco Pockit® 120-L is a true plug-and-play lighting solution. It allows for easy “jumping” over and around obstacles without the need for an electrician and can be recessed or surface mounted to accommodate your design and decor.

You can easily retrofit existing fluorescent display lights with the Pockit® 120-L, to provide striking, high illumination at a fraction of the energy costs and heat generated by traditional lights.



- ▶ Easy-to-replace twist on/off LED bulbs (GX53 base)



- ▶ Surface or recess mount with springs



- ▶ True plug-and-play: no transformer or power supply required



- ▶ Linkable up to 10 fixtures

Features:



- ▶ Dimmable by standard LED wall dimmers
- ▶ Frosted diffuser lens
- ▶ 9" (229 mm) input/output leads attached to fixtures
- ▶ Dimmable
- ▶ Replaceable LED heads

Typical Applications:

- ▶ Interior cabinets and shelving
- ▶ Under cabinets
- ▶ Task and flood lighting
- ▶ Displays
- ▶ Murphy beds

Available Finishes:



White (WH) Black (BL) Nickel (NI)

Dimensions:

Actual Size

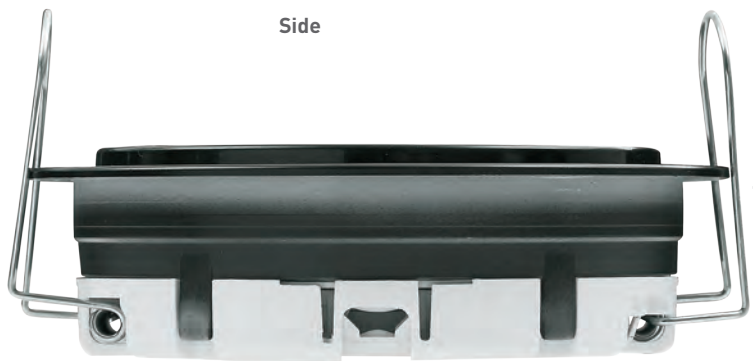
Front

9"
(229 mm)



3-5/8"
(92 mm)


Side



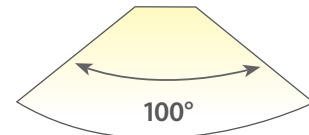
3-1/4"
(83 mm)

7/8"
(22 mm)

Specifications:

Wattage	3W
Lumens	118
Efficacy (lm/W)	39
Input Voltage	120V
Diode Life	25,000 Hours
Max Per 60W Power Supply	N/A
Max Continuous Run	10 Fixtures
Mounting	Recess/Surface
Warranty	1 Year
Certifications	

Beam Angle

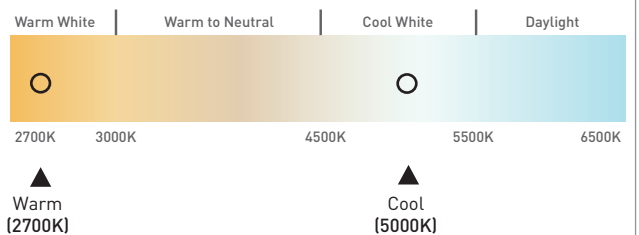


Photometric Data

Height	Light Output	Beam Area
1ft (.3 m)	48.50Fc (522lx)	2.2ft L x 2.2ft W (.67 m L x .67 m W)
3ft (.9 m)	5.39Fc (58lx)	6.6ft L x 6.6ft W (2 m L x 2 m W)
6ft (1.8 m)	1.35Fc (14.5lx)	13.3ft L x 13.2ft W (4.1 m L x 4 m W)

L-LPOC-3W-120L-C Tested

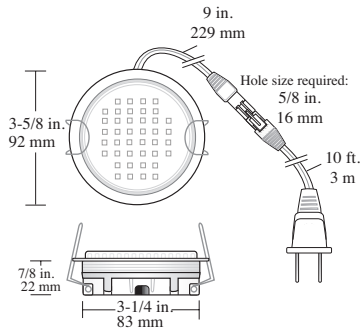
Color Temperature



IES data verified by Intertek testing lab.

Required Items

Pockit® 120L – Non-Linkable



Part #	Description
L-LPOC-3W-120NL-CBL-1	3W Black 5000K LED Pockit® 120-L Non-Linkable, 120V
L-LPOC-3W-120NL-CNI-1	3W Nickel 5000K LED Pockit® 120-L Non-Linkable, 120V
L-LPOC-3W-120NL-CWH-1	3W White 5000K LED Pockit® 120-L Non-Linkable, 120V
L-LPOC-3W-120NL-WBL-1	3W Black 2700K LED Pockit® 120-L Non-Linkable, 120V
L-LPOC-3W-120NL-WNI-1	3W Nickel 2700K LED Pockit® 120-L Non-Linkable, 120V
L-LPOC-3W-120NL-WWH-1	3W White 2700K LED Pockit® 120-L Non-Linkable, 120V

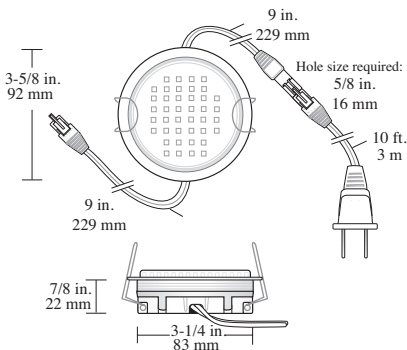
25,000 end of life hours.

3-1/4" (83 mm) hole required for recessing.

Trim Kit is included with each light body, which is required when mounting the light to a surface.

All Pockit® lights can be either surface mounted or recess mounted.

Pockit® 120L – Linkable



Part #	Description
L-LPOC-3W-120L-CBL-1	3W Black 5000K LED Pockit® 120-L Linkable, 120V
L-LPOC-3W-120L-CNI-1	3W Nickel 5000K LED Pockit® 120-L Linkable, 120V
L-LPOC-3W-120L-CWH-1	3W White 5000K LED Pockit® 120-L Linkable, 120V
L-LPOC-3W-120L-WBL-1	3W Black 2700K LED Pockit® 120-L Linkable, 120V
L-LPOC-3W-120L-WNI-1	3W Nickel 2700K LED Pockit® 120-L Linkable, 120V
L-LPOC-3W-120L-WWH-1	3W White 2700K LED Pockit® 120-L Linkable, 120V

25,000 end of life hours.

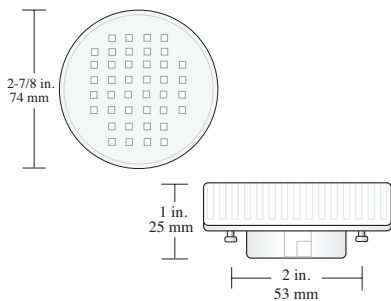
3-1/4" (83 mm) hole required for recessing.

Trim Kit is included with each Light Body, which is required when mounting the light to a surface.

All Pockit® lights can be either surface mounted or recess mounted.

Optional Items

Replacement Head - 3W with Frosted Diffuser



Part #	Description
L-LPOC-3WA-WBL-1	2700K Black LED Pockit® 120-L Replacement Head, 120V
L-LPOC-3WA-WNI-1	2700K Nickel LED Pockit® 120-L Replacement Head, 120V
L-LPOC-3WA-WWH-1	2700K White LED Pockit® 120-L Replacement Head, 120V
L-LPOC-3WA-CBL-1	5000K Black LED Pockit® 120-L Replacement Head, 120V
L-LPOC-3WA-CNI-1	5000K Nickel LED Pockit® 120-L Replacement Head, 120V
L-LPOC-3WA-CWH-1	5000K White LED Pockit® 120-L Replacement Head, 120V

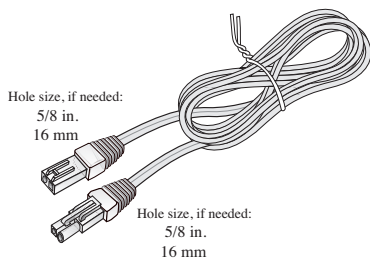
GX53 base.

25,000 end of life hours.

Replacement head includes a frosted diffuser as standard.

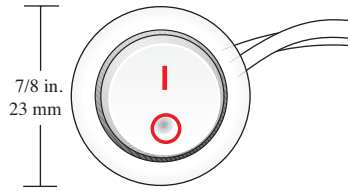
NOTE: Existing Tresco® Fluorescent Pockit® T2 can be retrofitted using these replacement heads.

Link Cord/Extension



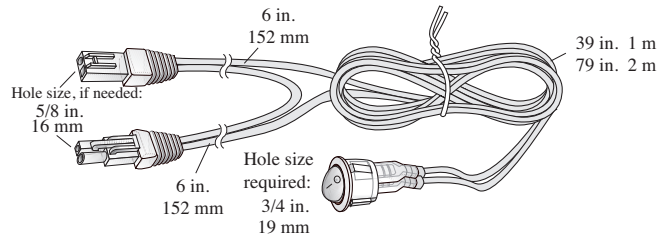
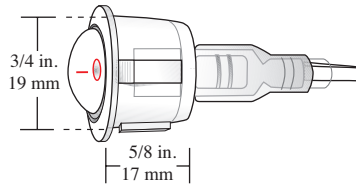
Part #	Description
L-FPOC-LINKA-25-BL-1	10" (25cm) Black Pockit® 120-L/M Linking Cord
L-FPOC-LINKA-25-WH-1	10" (25cm) White Pockit® 120-L/M Linking Cord
L-FPOC-LINKA-60-BL-1	24" (60cm) Black Pockit® 120-L/M Linking Cord
L-FPOC-LINKA-60-WH-1	24" (60cm) White Pockit® 120-L/M Linking Cord
L-FPOC-LINKA-120-BL-1	48" (120cm) Black Pockit® 120-L/M Linking Cord
L-FPOC-LINKA-120-WH-1	48" (120cm) White Pockit® 120-L/M Linking Cord
L-FPOC-LINKA-180-BL-1	72" (180cm) Black Pockit® 120-L/M Linking Cord
L-FPOC-LINKA-180-WH-1	72" (180cm) White Pockit® 120-L/M Linking Cord

Round Switch - 120V

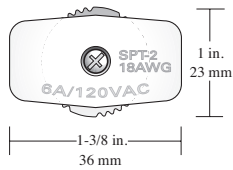


Part #	Description
L-RDSW-1M-120-BL-1	120V Black Round Rocker Switch w/ 39" (1 m) Lead
L-RDSW-1M-120-WH-1	120V White Round Rocker Switch w/ 39" (1 m) Lead
L-RDSW-2M-120-BL-1	120V Black Round Rocker Switch w/ 79" (2 m) Lead
L-RDSW-2M-120-WH-1	120V White Round Rocker Switch w/ 79" (2 m) Lead

3/4" (19 mm) hole required.



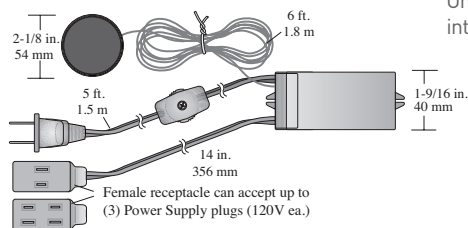
Roll Switch - 120V



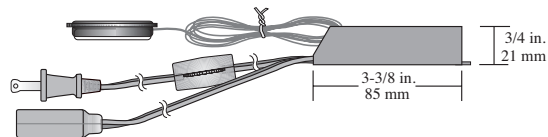
Part #	Description
L-WHITE ROLL SWITCH-1	120V 6A White Roll Switch
L-BLACK ROLL SWITCH-1	120V 6A Black Roll Switch

Touch On/Off Switch

Part #	Description
L-TS2-72-1	Touch On/Off w/Cord And Touch Pad. Black, 200W

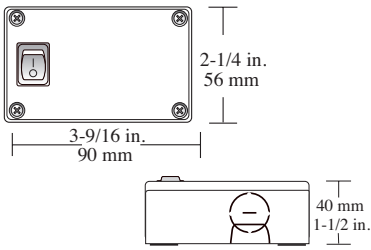


On/off Switch touch pad attaches to surface with adhesive backing. Power supply plugs into on/off switch touch pad.



More optional items on next page.

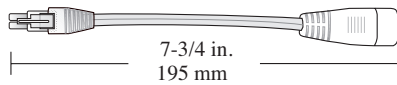
Hardwire Boxes



Part #	Description
L-HWB-WH-T5-1	T5 White Hardwire Box, w/o Switch
L-HWB-BL-T5-1	T5 Black Hardwire Box, w/o Switch
L-HWB-WH-T5-S-1	T5 White Hardwire Box, w/Switch
L-HWB-BL-T5-S-1	T5 Black Hardwire Box, w/Switch

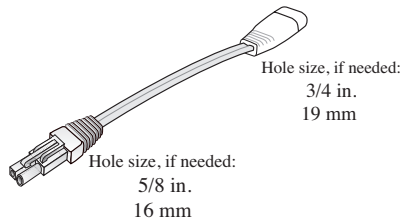
Maximum (10) light fixtures per hardwire box.
Must use Pockit® 120L/M Adaptor.

Pockit® 120-L/M Adaptor
for Hardwire Box



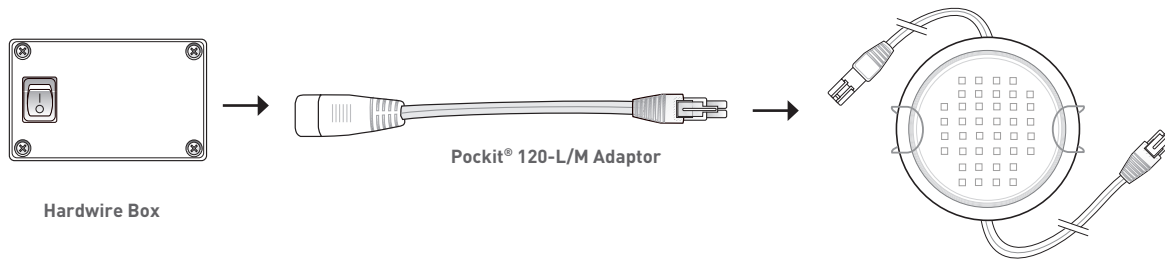
Part #	Description
L-FPOC-HWB-ADP-WH	Pockit® 120-L/M Adaptor for Hardwire Box, White
L-FPOC-HWB-ADP-BL	Pockit® 120-L/M Adaptor for Hardwire Box, Black

Required when using Hardwire Box.



NOTE: Must use hardwire box when used with a wall dimmer. Do not dim a receptacle.

How to Connect Using Hardwire Box:



LED Wall Dimmers



Part #	Description
L-DVCL-153P-WH-1	Lutron Diva® C•L™ Dimmer w/out plate
L-CTCL-153P-WH-1	Lutron Skylark Contour C•L™ Dimmer w/out plate