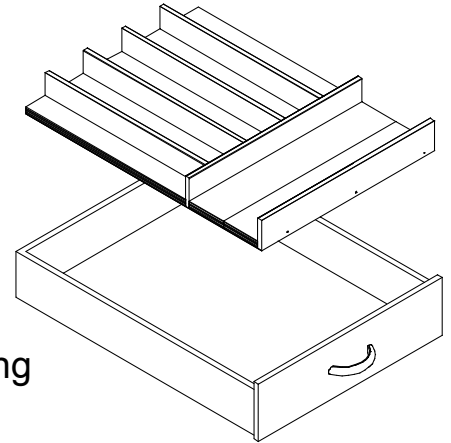




## UNIVERSAL DRAWER KIT

### Important Notes

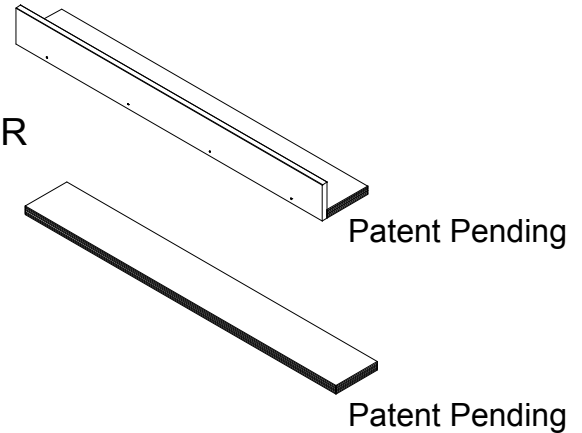
- Always read the instructions completely and carefully before beginning assembly.
- Remove and check contents for damage and/or missing parts. Keep the original carton and packing materials, which are required for any authorized adjustment by our dealers.



### Parts List

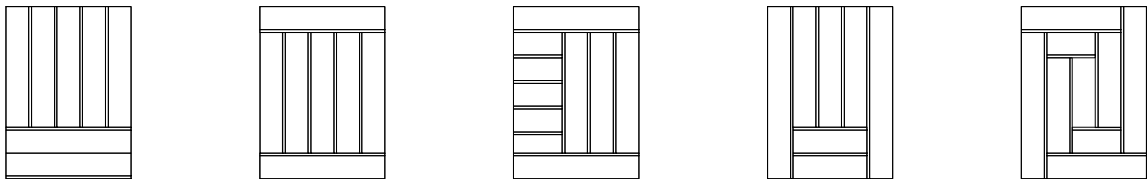
6 EA. – 19 3/4" UNIVERSAL DRAWER DIVIDER

1EA. – 19 3/4" x 2 5/8" FILLER BLOCK



### Installation Instructions

**Step 1:** Determine the desired drawer configuration, keeping in mind that the units are approximately 3 inches wide. See examples below.



**Step 2:** Determine the longest pieces of Universal Drawer Divider needed and cut these first using a hand or power mitre box.

**CAUTION: NAILS ARE USED IN THE CONSTRUCTION OF THESE PARTS!**

**Step 3:** When all the divider pieces are cut and placed in the drawer, rip and cut the Filler Block if necessary to fill in any spaces in the drawer bottom.



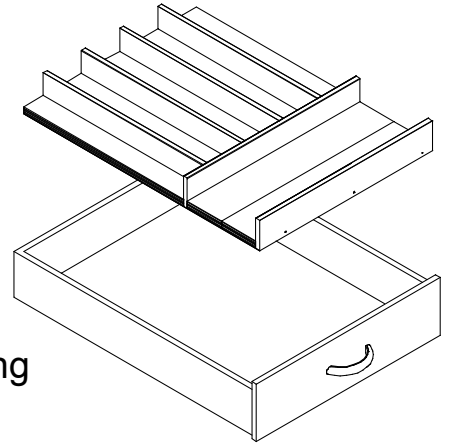
# Omega National

PRODUCTS

## UNIVERSAL DRAWER KIT BULK PKG.

### Important Notes

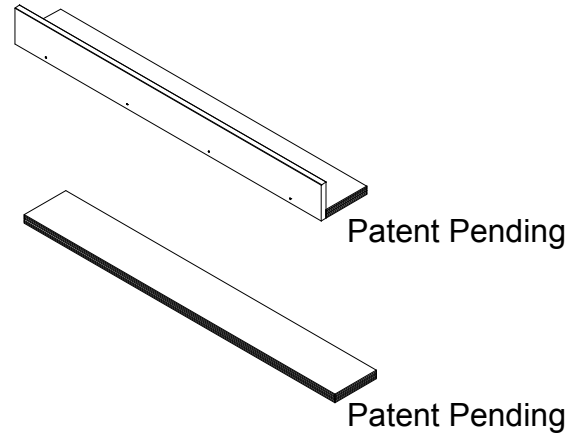
- Always read the instructions completely and carefully before beginning assembly.
- Remove and check contents for damage and/or missing parts. Keep the original carton and packing materials, which are required for any authorized adjustment by our dealers.



### Parts List

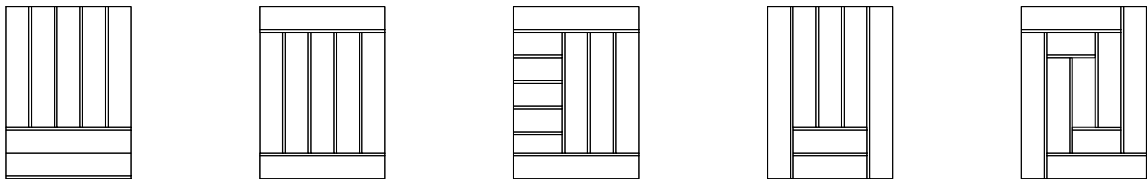
6 EA. – 60" UNIVERSAL DRAWER DIVIDER

1EA. – 60" x 2 5/8" FILLER BLOCK



### Installation Instructions

**Step 1:** Determine the desired drawer configuration, keeping in mind that the units are approximately 3 inches wide. See examples below.



**Step 2:** Determine the longest pieces of Universal Drawer Divider needed and cut these first using a hand or power mitre box.

**CAUTION: NAILS ARE USED IN THE CONSTRUCTION OF THESE PARTS!**

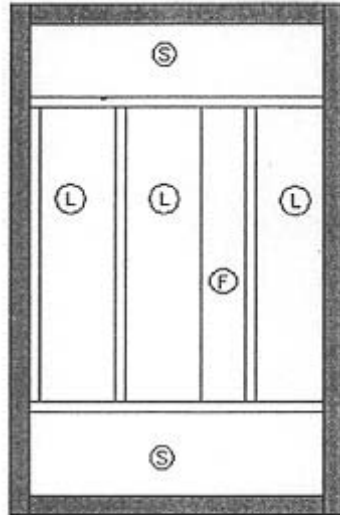
**Step 3:** When all the divider pieces are cut and placed in the drawer, rip and cut the Filler Block if necessary to fill in any spaces in the drawer bottom.



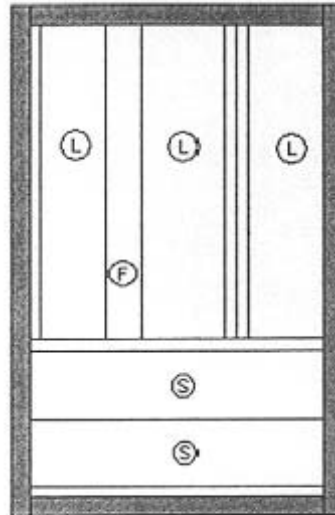
# Omega National P R O D U C T S

## Drawer Organizer Layout Options (Divider Placement Configuration)

Please review the layout options below to determine which is best suited to your application.

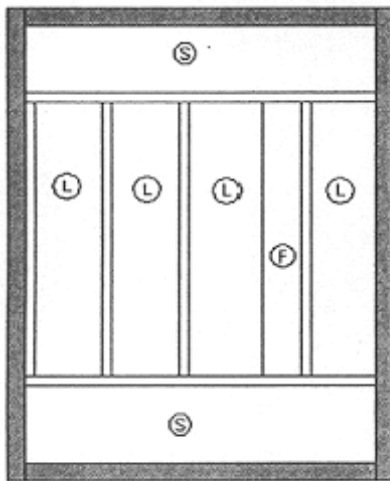


B15 Option A

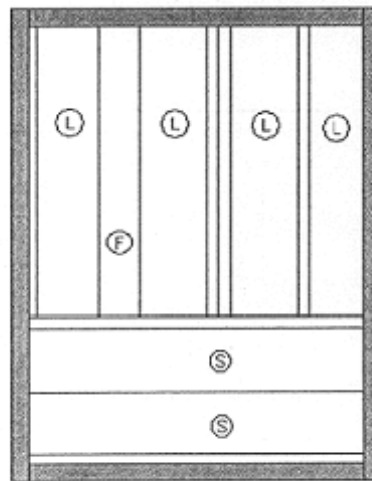


B15 Option B

- Long Divider (L)
- Short Divider (S)
- Filler Strip (F)

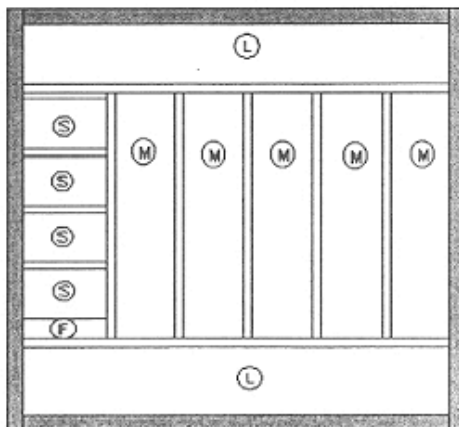


Base 18 Option A

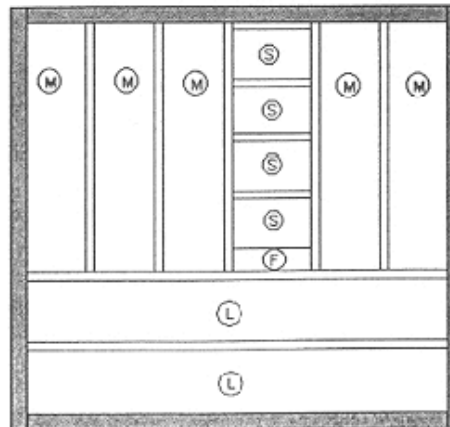


Base 18 Option B

- Long Divider (L)
- Short Divider (S)
- Filler Strip (F)



Base 24 Option A



Base 24 Option B

- Long Divider (L)
- Medium Divider (M)
- Short Divider (S)
- Filler Strip (F)