

Dynapro 16, Tipmatic

Tipmatic Full Extension for 5/8" (16mm) drawer material



- Integrated Tipmatic
- Full extension with a synchronized mechanism
- Designed for drawers without pulls
- Face frame and frameless applications from 1/2" (12.7mm) up to 5/8" (16mm) drawer material
- Secure and smooth operation even if drawer is pulled open
- Self-latching front locking devices have comfortable release levers for drawer removal and installation
- Height adjustment +3.0mm with front locking device
- 88 lb load rating (40 kg)
- Drawer widths should not exceed 26" wide

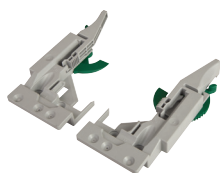
Dynapro 16 Tipmatic Full Extension Slide, 88 lb (40 kg)



Drawer Length	Nominal Length	Min Installation Depth	Item No.	PU
381 (15")	399 (15 23/32")	403 (15 7/8")	F130116432 204	5
457 (18")	475 (18 11/16")	479 (18 27/32")	F130116433 204	5
533 (21")	551 (21 11/16")	555 (21 27/32")	F130116434 204	5

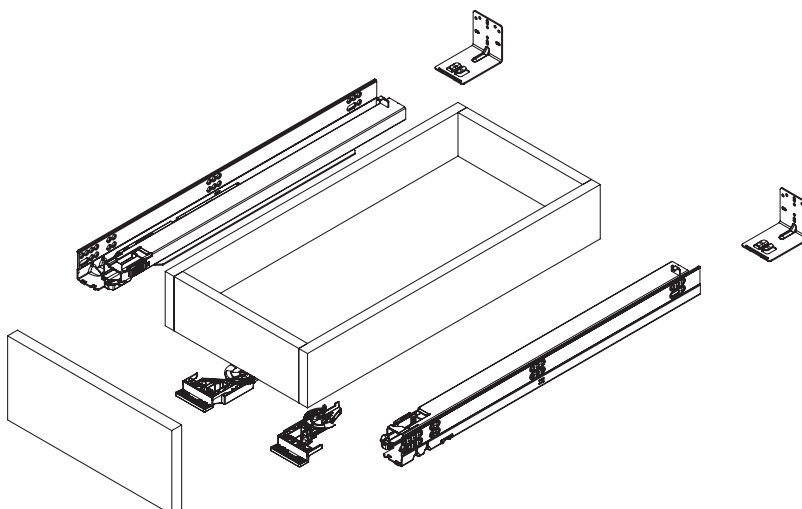
Front Locking Devices and Rear Mounting Brackets

1



Description	Adjustments	Item No.	PU
(Must order separately)			
1 Eco flanged front locking device, left	height	F134116420 233	200
Eco flanged front locking device, right	height	F134116421 233	200
Eco flanged front locking device, set	height	F134116422 204	5
2 Rear mounting brackets, non-handed for 12"-21" slides, each		7950.VE20	20
		7950.VE300	300

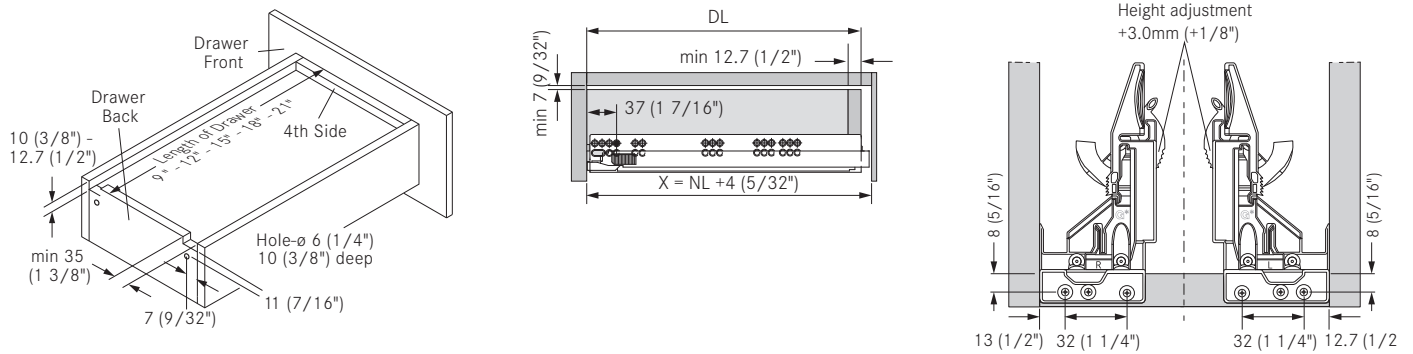
2



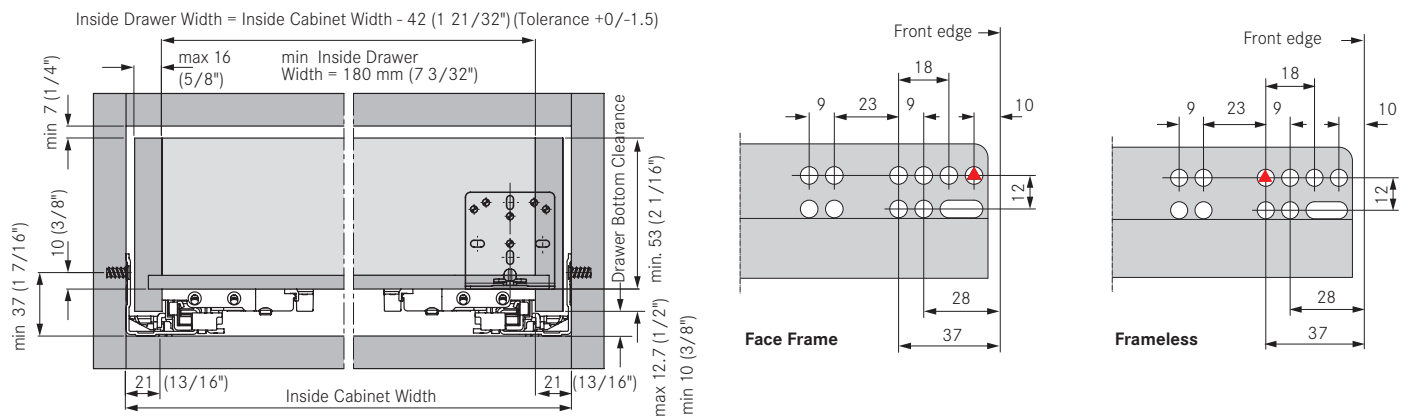
PU - Packaging unit

Drawer Material Thickness	16mm (5/8")
Dynamic Load	88 lb (40 kg)
Static Load	100 lb (45 kg)

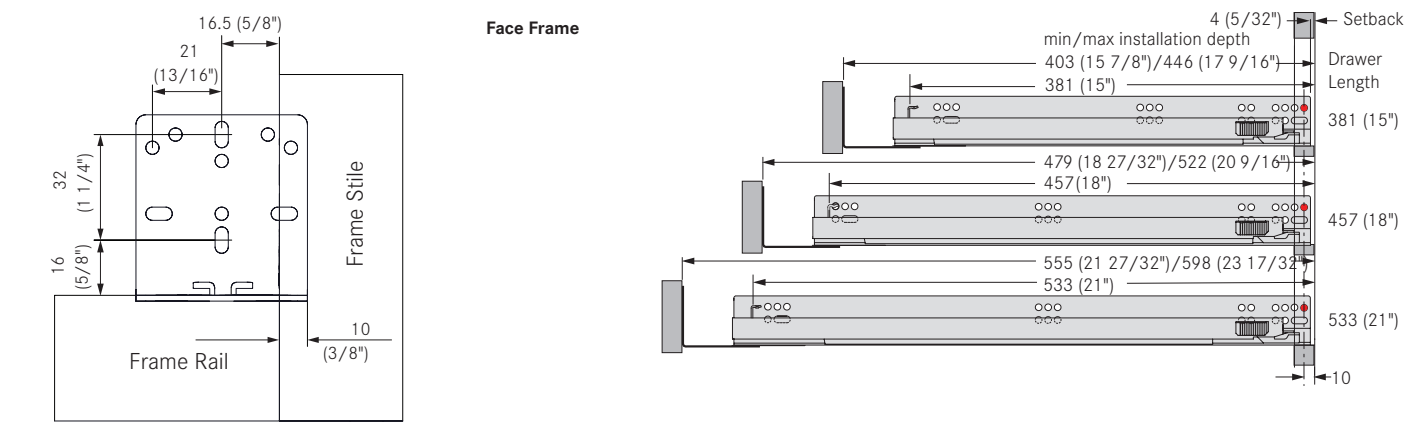
Drawer Measurements Drawer Front Locking Device Position



Drawer Installation Dimensions Mounting Position for Front Cabinet Profile



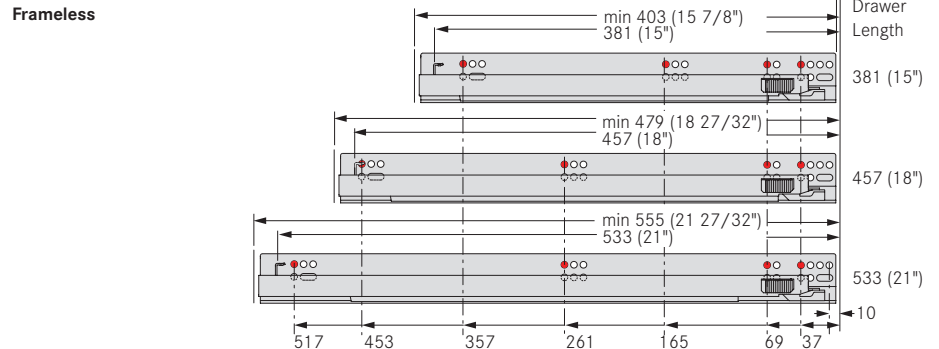
Rear Bracket for Face Frame Cabinet Boring Specifications



Pre-drilling recommended Ø2.5mm (3/32").

Note: The recommendations for screw placement are guidelines only. Installers need to ensure that the cabinet wall is adequate.

- DL = drawer length
- ICW = inside cabinet width
- IDW = inside drawer width
- NL = nominal length
- X = minimum installation depth



All dimensions in millimeters.