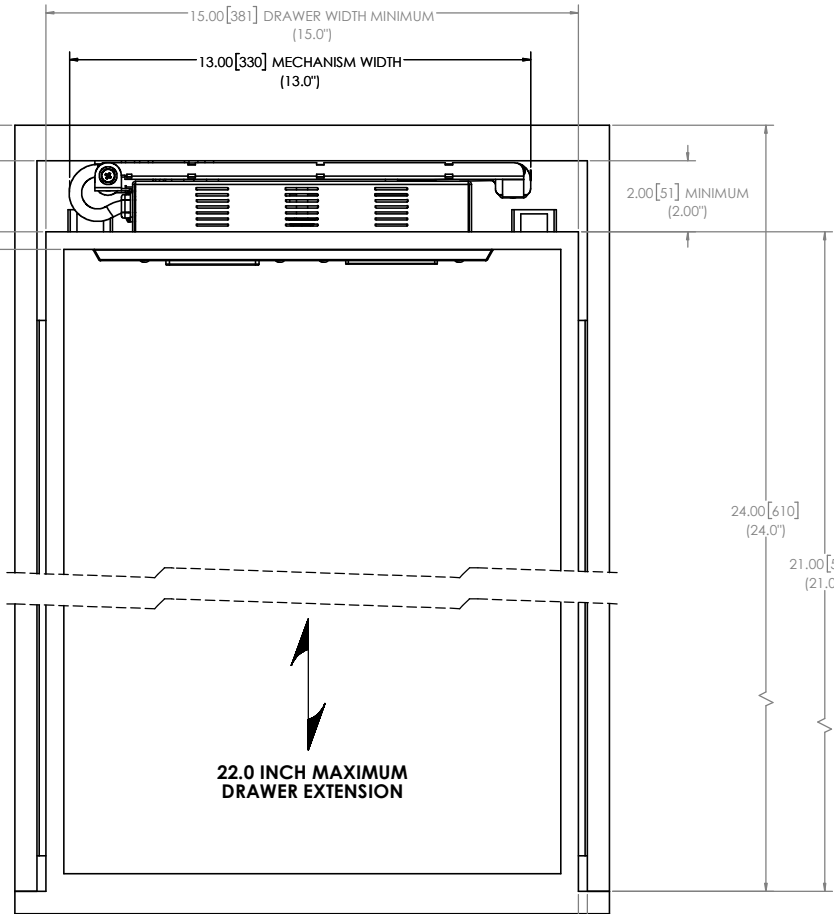


INSTALLATION OPTION #1 - SHALLOW

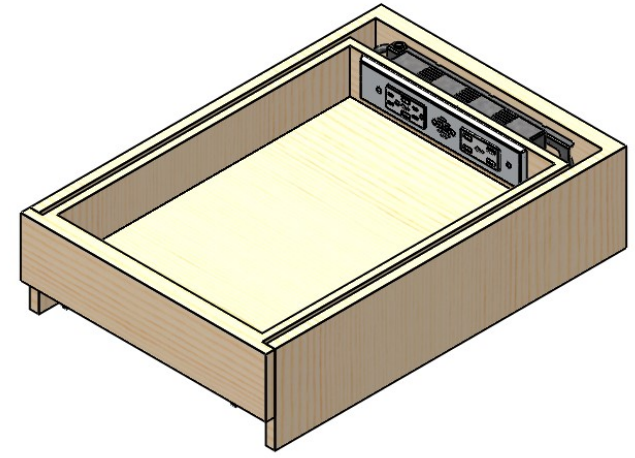
REVISIONS					
ECO#	REV	DESCRIPTION	BY	DATE	APPROVED
	001	INITIAL RELEASE	BN	02/10/2020	SD

(MAX 1.00[25]-MIN 0.00[0])
(1.0-0.0")
REFERENCE ONLY
VARIES WITH
CABINET MANUFACTURER



.50[13] -.75[19]
(1/2-3/4")
REFERENCE ONLY
VARIES WITH
CABINET MANUFACTURER

.25[6]
1/4" NOMINAL GAP
REFERENCE ONLY
VARIES WITH
CABINET MANUFACTURER



**APPLIES TO DOCKING DRAWER BLADE DUO OUTLETS
P/N 1514-2xx, 2012-2xx**

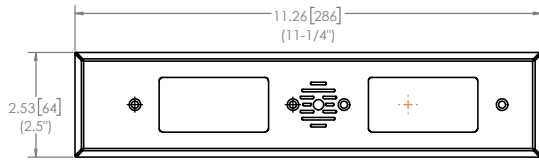
Need help? Have questions? We want to help. Call us at (530) 205-3625.

- NOTES:**
1. DIMENSIONS ARE IN: INCHES [mm]
(INCHES FRACTIONAL)
 2. DIMENSION SHOWN ARE FOR REFERENCE ONLY AND SHOULD BE VERIFIED IN THE FIELD DURING INSTALLATION.

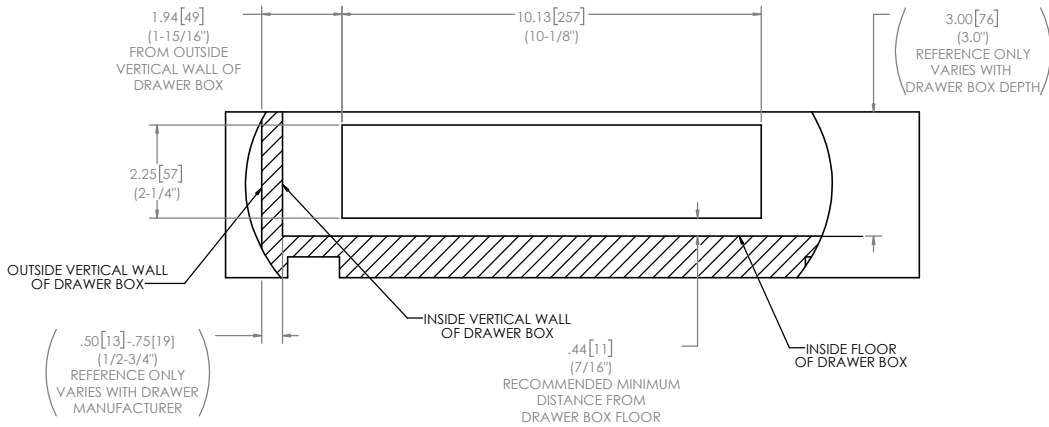
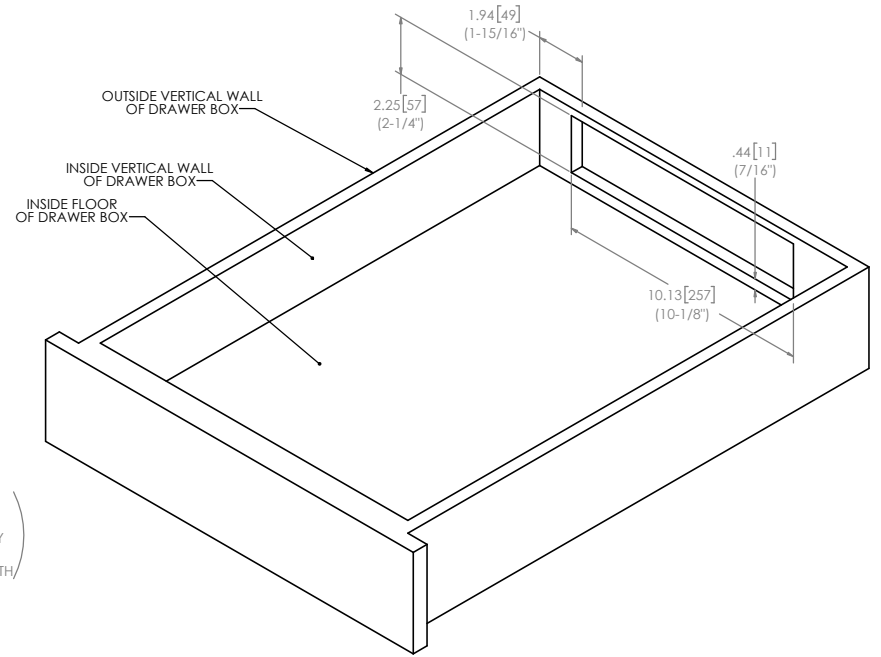
DOCKING DRAWER, INC. CONFIDENTIAL THIS DOCUMENT AND THE INFORMATION CONTAINED IN IT ARE CONFIDENTIAL AND CANNOT BE COPIED OR DISCLOSED IN WHOLE OR IN PART WITHOUT THE EXPRESS WRITTEN CONSENT OF DOCKING DRAWER, INC.

TITLE
MOUNTING DIAGRAM,
DOCKING DRAWER
BLADE DUO

SIZE	DWG NO.	REV
D	0170-00096	001
SCALE	1:2	SHEET 1 OF 11



OUTLET COVER PLATE DIMENSIONS



INSTALLATION OPTION #1 - SHALLOW

**RECEPTACLE BOX CUTOUT LOCATION
(VIEW FROM FRONT FACE OF DRAWER)**

NOTES:

- DIMENSIONS ARE IN: INCHES [mm]
(INCHES FRACTIONAL)
- DIMENSION SHOWN ARE FOR REFERENCE ONLY AND SHOULD BE VERIFIED IN THE FIELD DURING INSTALLATION.

DOCKING DRAWER, INC. CONFIDENTIAL: THIS DOCUMENT AND THE INFORMATION CONTAINED IN IT ARE CONFIDENTIAL AND CANNOT BE COPIED OR DISCLOSED IN WHOLE OR IN PART WITHOUT THE EXPRESS WRITTEN CONSENT OF DOCKING DRAWER, INC.		SIZE	DWG. NO.	REV.
		D	0170-00096	001
		SCALE	SHEET	OF
		1:2	2	11

8

7

6

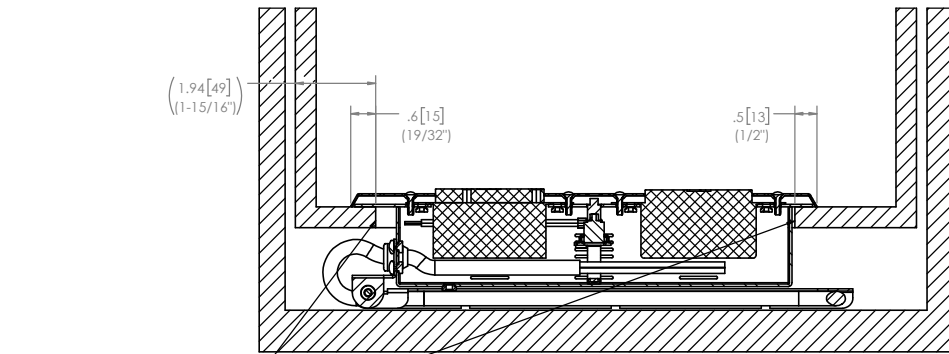
5

3

2

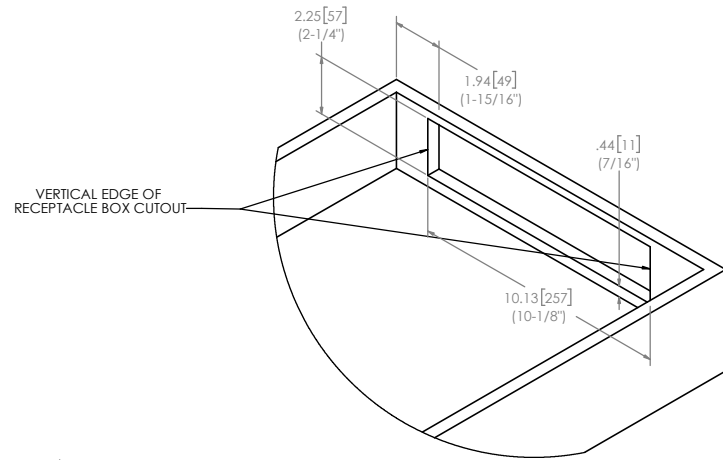
1

INSTALLATION OPTION #1 - SHALLOW

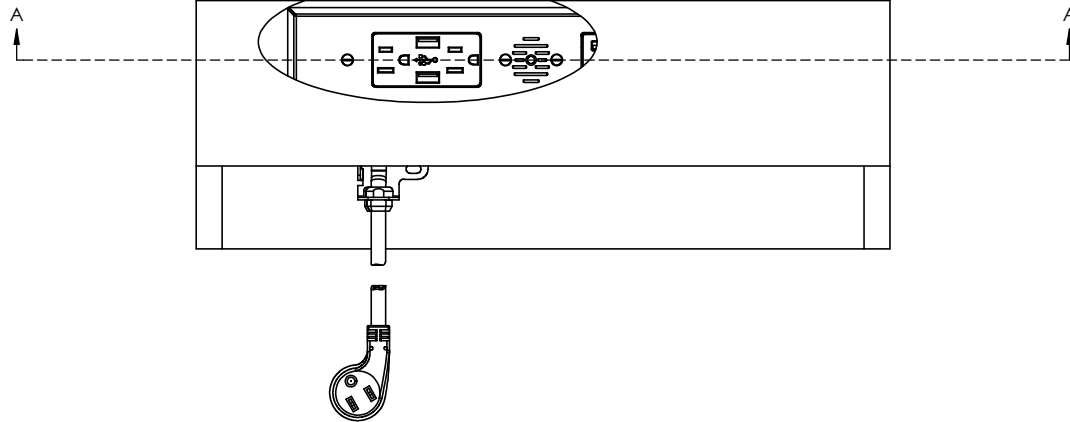


VERTICAL EDGE OF RECEPTACLE BOX CUTOUT

SECTION A-A
SCALE 1 : 1.5



VERTICAL EDGE OF RECEPTACLE BOX CUTOUT



8

7

6

5

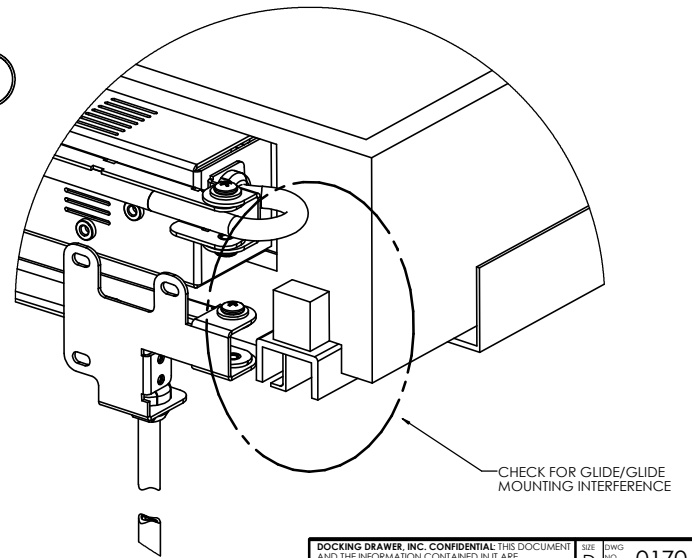
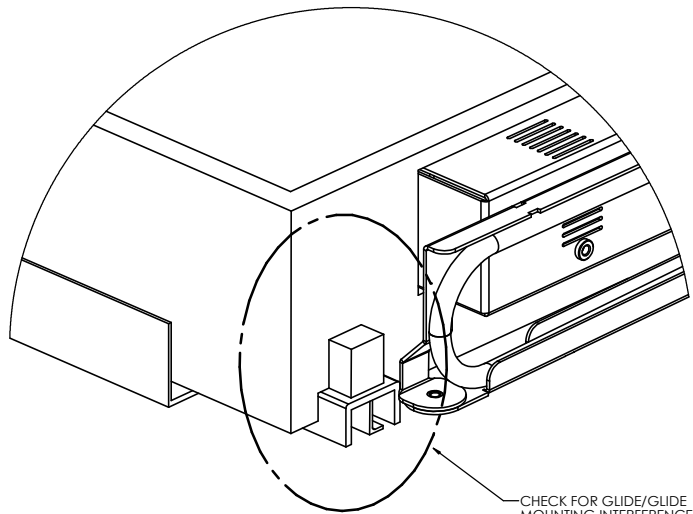
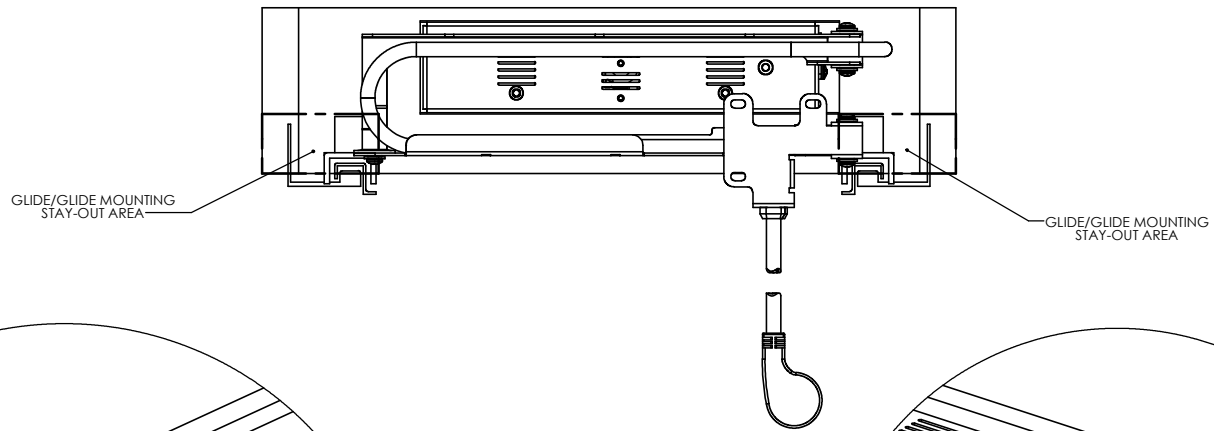
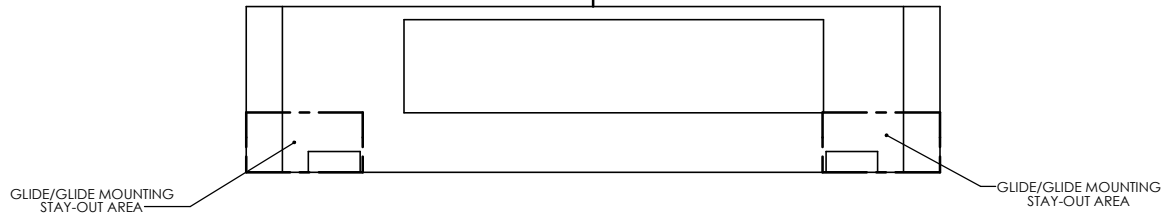
4

3

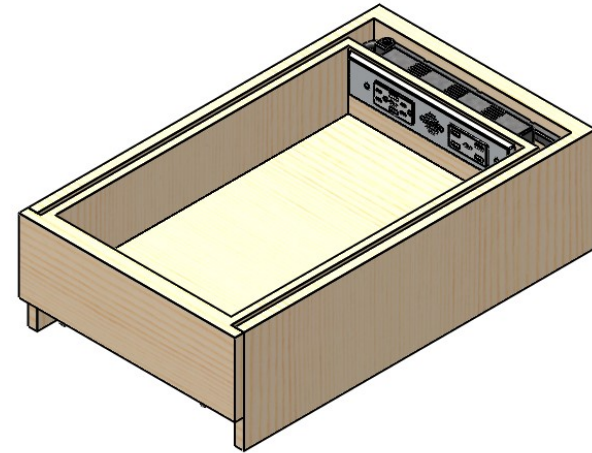
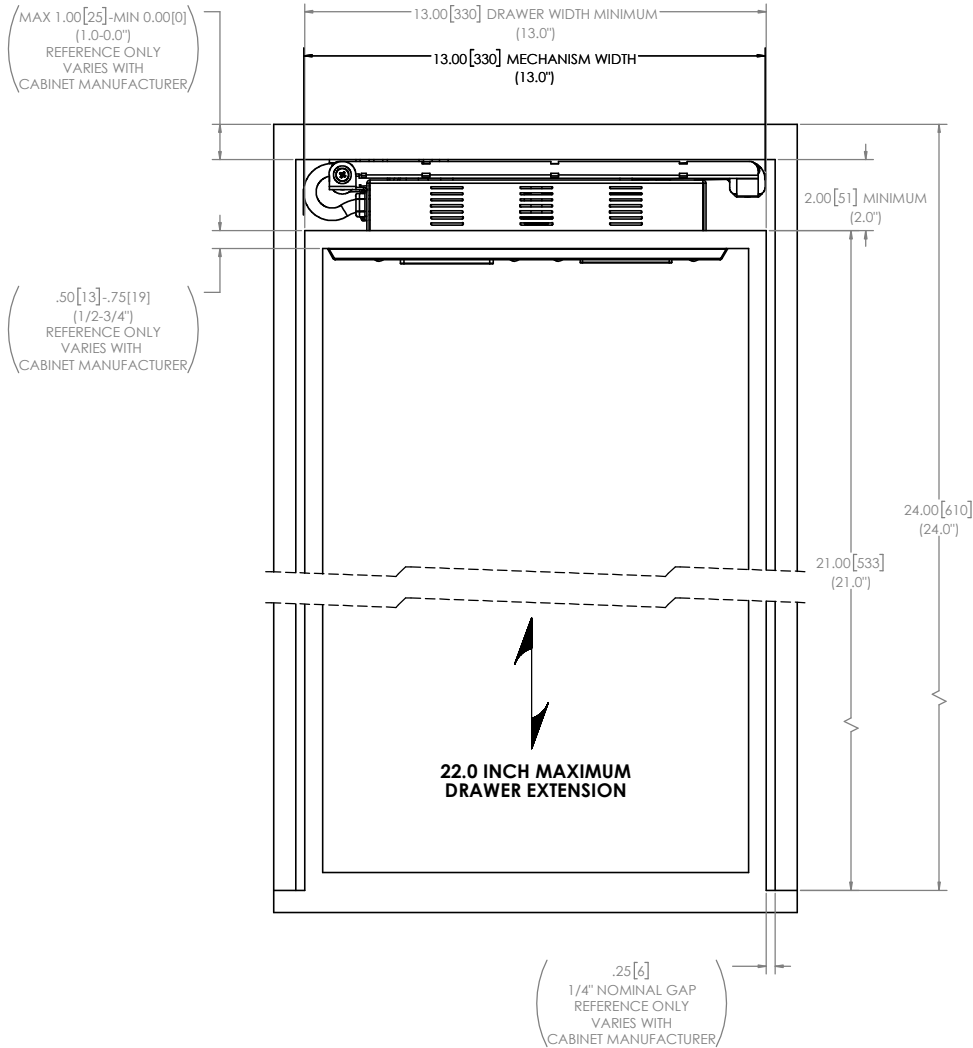
1

DWG NO. 0170-00096 REV. 3 001

INSTALLATION OPTION #1 - SHALLOW



INSTALLATION OPTION #2 - TALL - ABOVE GLIDE MOUNTING



**APPLIES TO DOCKING DRAWER BLADE DUO OUTLETS
P/N 1514-2xx, 2012-2xx**

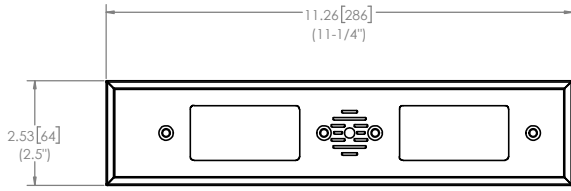
Need help? Have questions? We want to help. Call us at (530) 205-3625.

NOTES:

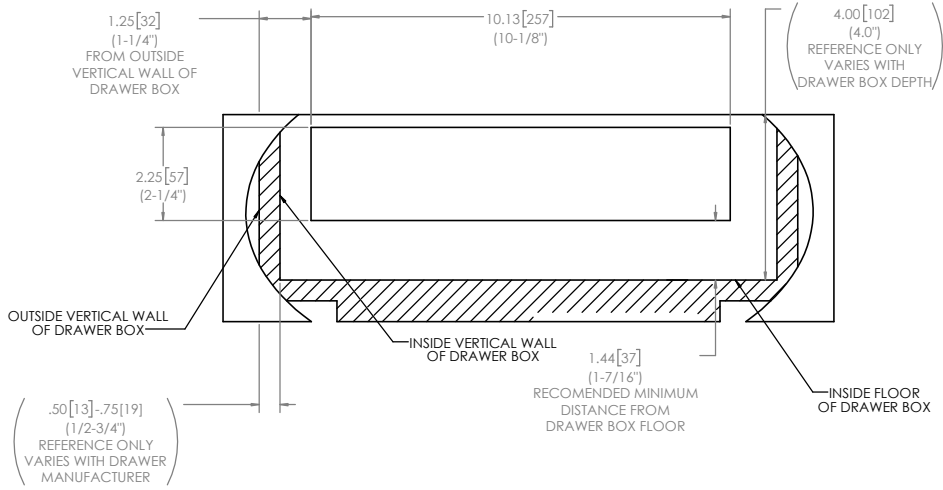
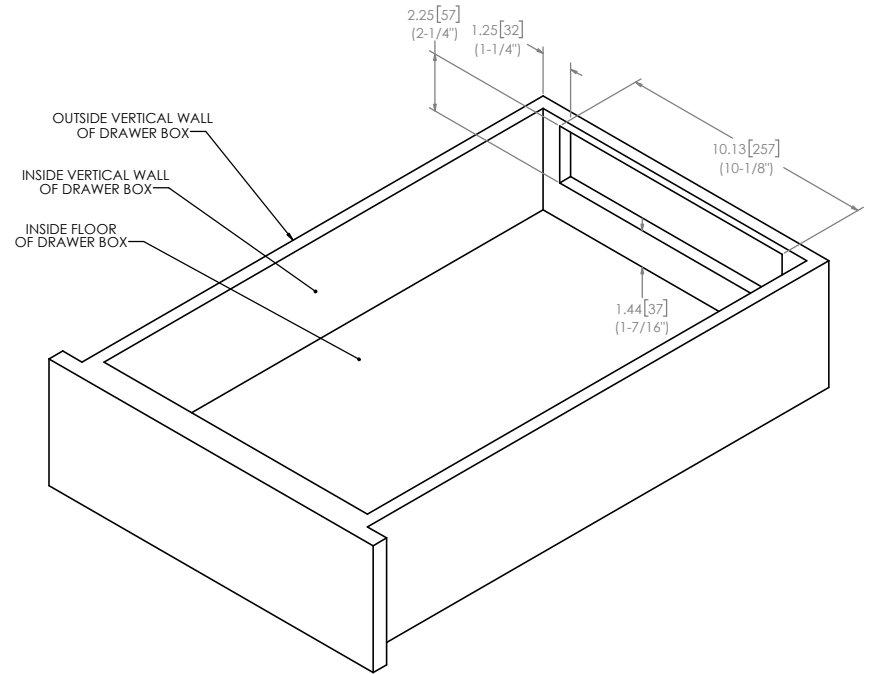
1. DIMENSIONS ARE IN: INCHES [mm] (INCHES FRACTIONAL)
2. DIMENSION SHOWN ARE FOR REFERENCE ONLY AND SHOULD BE VERIFIED IN THE FIELD DURING INSTALLATION.

Docking Drawer™	TITLE		REV
	MOUNTING DIAGRAM, DOCKING DRAWER BLADE DUO		
SIZE	DWG NO.	0170-00096	001
SCALE	1:2	SHEET	5 OF 11

DOCKING DRAWER, INC. CONFIDENTIAL THIS DOCUMENT AND THE INFORMATION CONTAINED IN IT ARE CONFIDENTIAL AND CANNOT BE COPIED OR DISCLOSED IN WHOLE OR IN PART WITHOUT THE EXPRESS WRITTEN CONSENT OF DOCKING DRAWER, INC.



OUTLET COVER PLATE DIMENSIONS



INSTALLATION OPTION #2 - TALL - ABOVE GLIDE MOUNTING

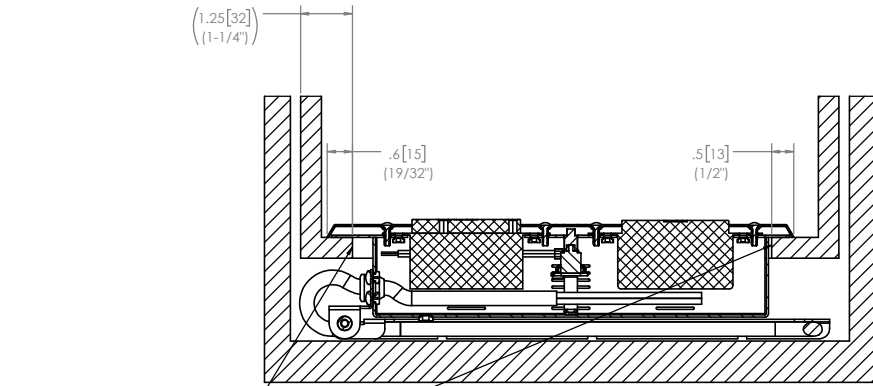
**RECEPTACLE BOX CUTOUT LOCATION
(VIEW FROM FRONT FACE OF DRAWER)**

NOTES:

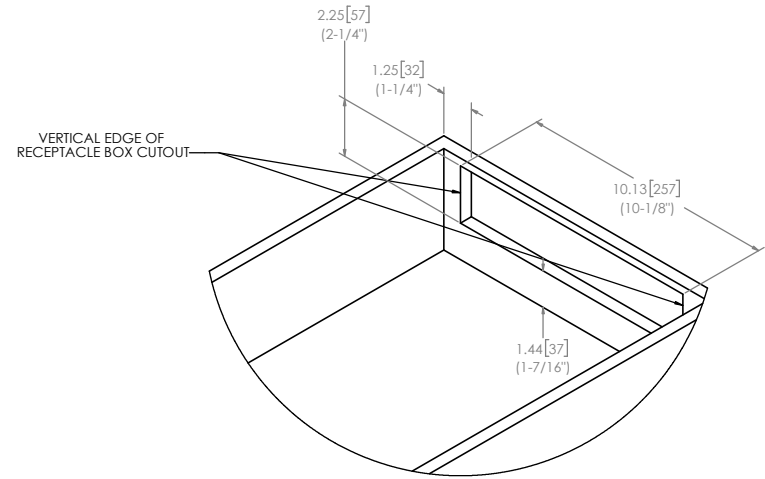
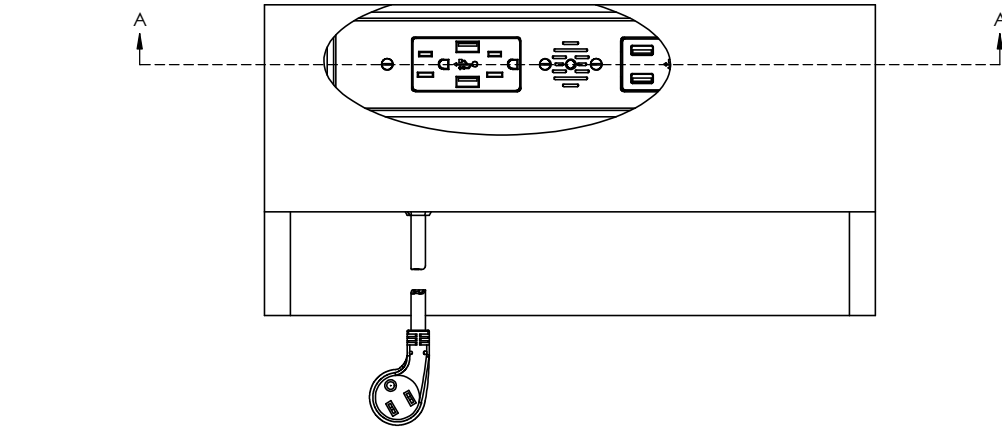
1. DIMENSIONS ARE IN: INCHES [mm]
(INCHES FRACTIONAL)
2. DIMENSION SHOWN ARE FOR REFERENCE ONLY AND SHOULD BE VERIFIED IN THE FIELD DURING INSTALLATION.

DOCKING DRAWER, INC. CONFIDENTIAL: THIS DOCUMENT AND THE INFORMATION CONTAINED IN IT ARE CONFIDENTIAL AND CANNOT BE COPIED OR DISCLOSED IN WHOLE OR IN PART WITHOUT THE EXPRESS WRITTEN CONSENT OF DOCKING DRAWER, INC.		SIZE	DWG NO.	REV
		D	0170-00096	001
SCALE	1:2	SHEET	6	OF 11

INSTALLATION OPTION #2 - TALL - ABOVE GLIDE MOUNTING



SECTION A-A
SCALE 1 : 1.5



8

7

6

5

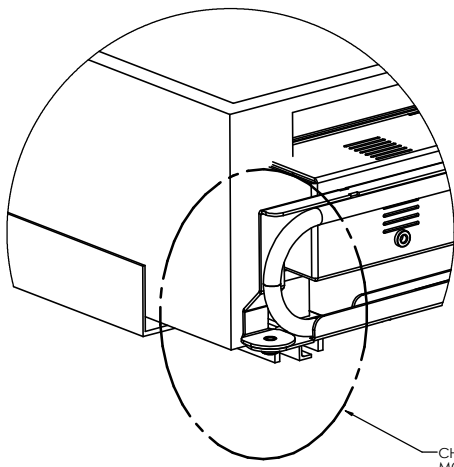
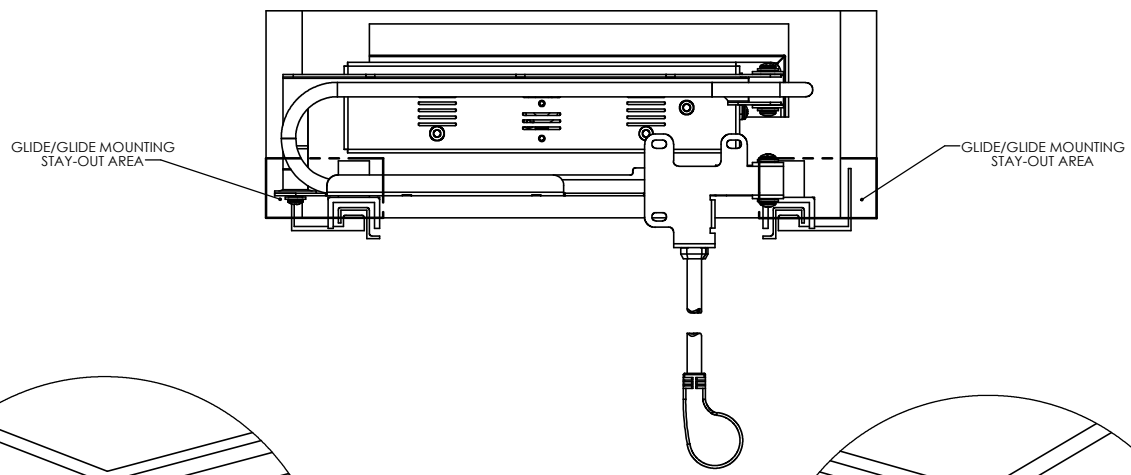
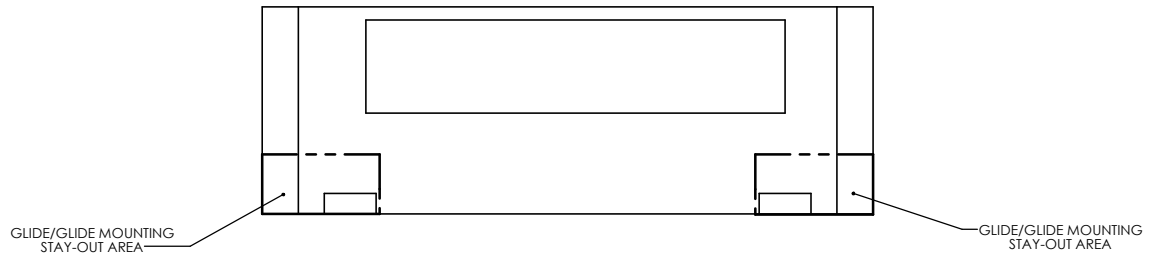
100 8 96000-0710
ASB HD CON DWG

3

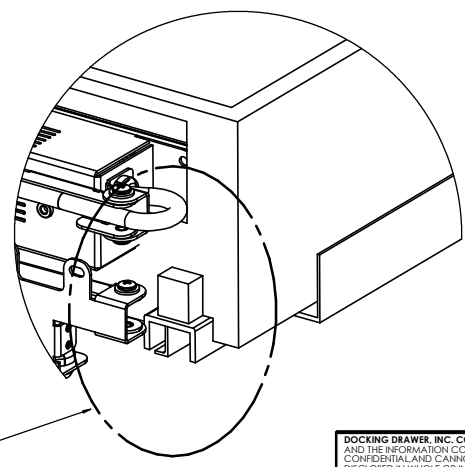
2

1

INSTALLATION OPTION #2 - TALL - ABOVE GLIDE MOUNTING



CHECK FOR GLIDE/GLIDE MOUNTING INTERFERENCE



CHECK FOR GLIDE/GLIDE MOUNTING INTERFERENCE

DOCKING DRAWER, INC. CONFIDENTIAL: THIS DOCUMENT AND THE INFORMATION CONTAINED IN IT ARE CONFIDENTIAL AND CANNOT BE COPIED OR DISCLOSED IN WHOLE OR IN PART WITHOUT THE EXPRESS WRITTEN CONSENT OF DOCKING DRAWER, INC.

SIZE	D	DWG NO.	0170-00096	REV	001
SCALE	2:3	SHEET	8	OF	11

8

7

6

5

4

3

2 0170-00096

1

DWG NO. 0170-00096 REV. 8 (001)

8

7

6

5

100 6 96000-0210
A33 1/2 1/2 ON DWG

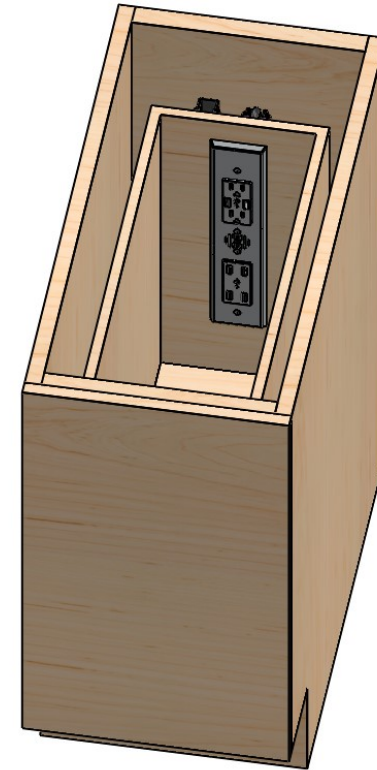
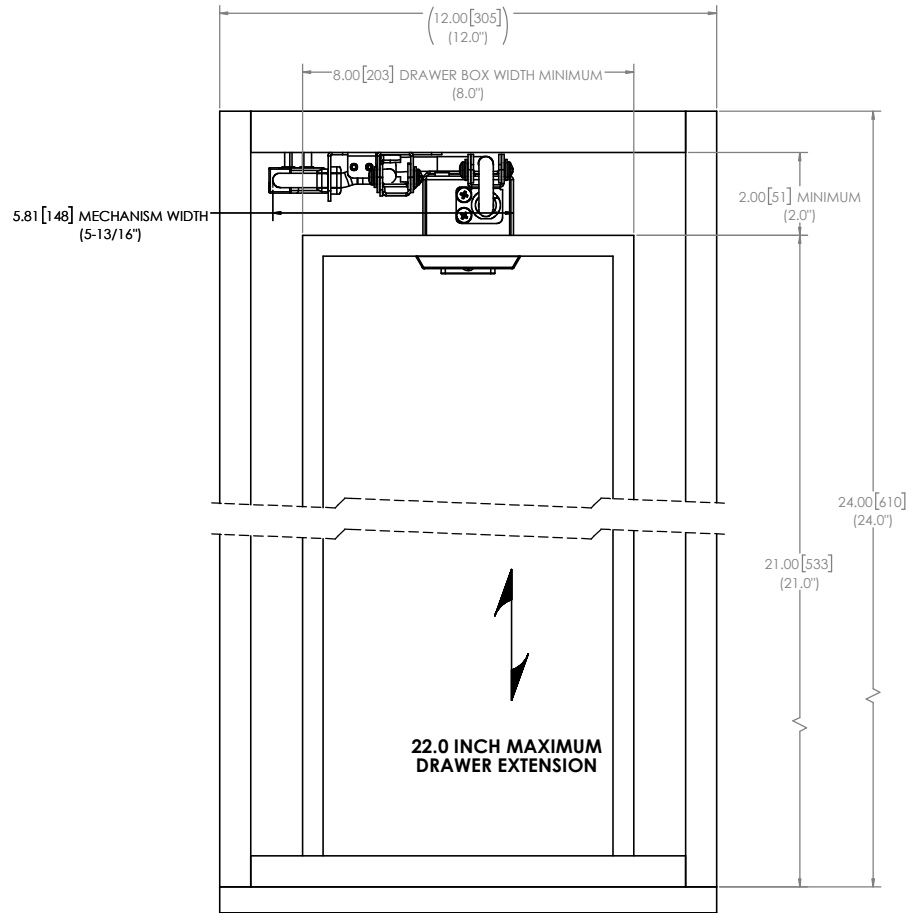
3

2

1

INSTALLATION OPTION #3 - VERTICAL MOUNTING

REVISIONS					
ECO #	REV	DESCRIPTION	BY	DATE	APPROVED
	001	INITIAL RELEASE	BN	08/28/2020	SD



APPLIES TO DOCKING DRAWER BLADE DUO OUTLETS
P/N 1514-2xx, 2012-2xx

Need help? Have questions? We want to help. Call us at (530) 205-3625.

NOTES:

- DIMENSIONS ARE IN: INCHES [mm] (INCHES FRACTIONAL)
- DIMENSION SHOWN ARE FOR REFERENCE ONLY AND SHOULD BE VERIFIED IN THE FIELD DURING INSTALLATION.

Docking
Drawer™

TITLE
MOUNTING DIAGRAM,
DOCKING DRAWER
BLADE DUO

SIZE DWG NO. 0170-00096 **REV** 001

SCALE 1:2 **SHEET** 9 **OF** 11

DOCKING DRAWER, INC. CONFIDENTIAL. THIS DOCUMENT AND THE INFORMATION CONTAINED IN IT ARE CONFIDENTIAL AND CANNOT BE COPIED OR DISCLOSED IN WHOLE OR IN PART WITHOUT THE EXPRESS WRITTEN CONSENT OF DOCKING DRAWER, INC.

8

7

6

5

4

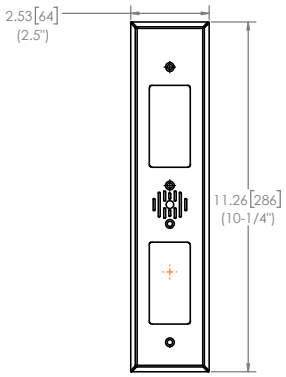
3

2 0170-00096

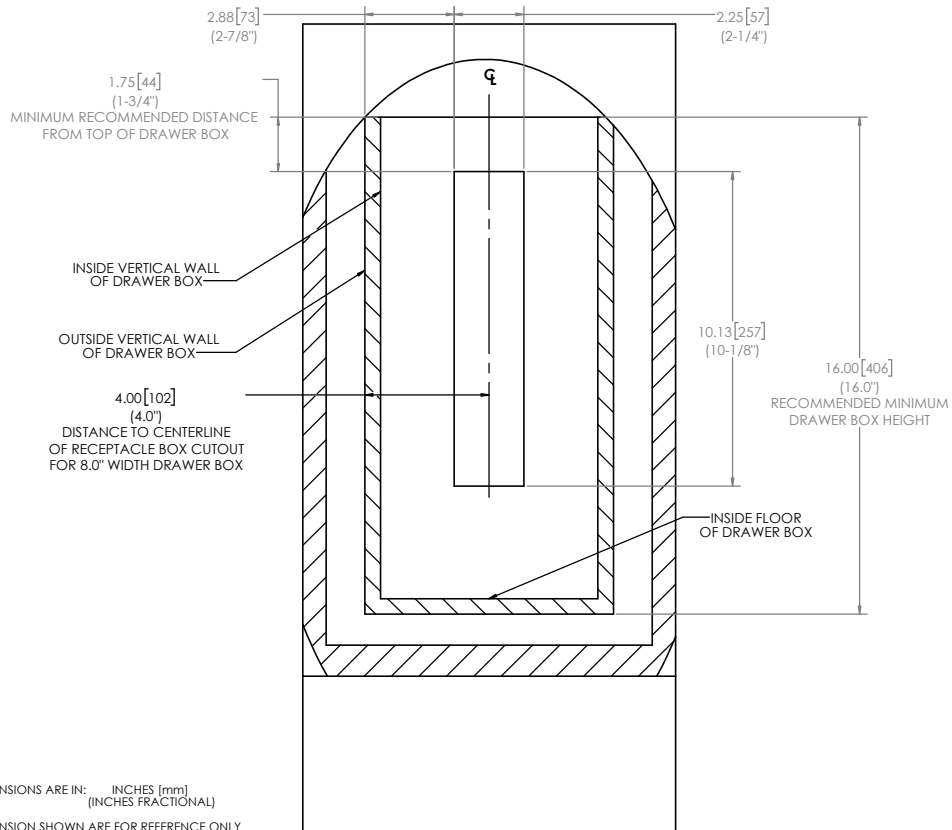
1

DWG NO. 0170-00096 REV 001

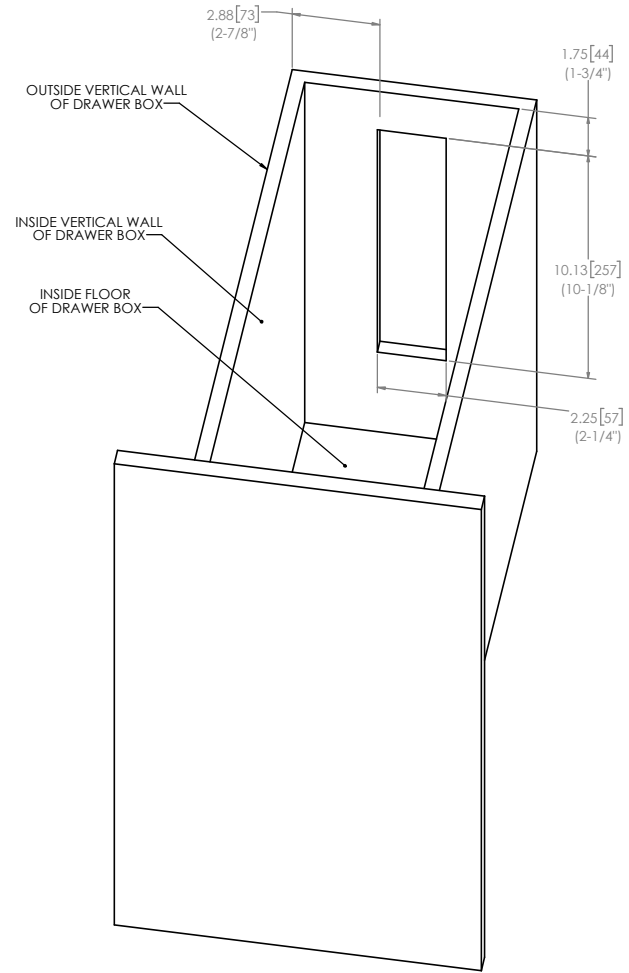
INSTALLATION OPTION #3 -VERTICAL MOUNTING



OUTLET COVER PLATE DIMENSIONS



RECEPTACLE BOX CUTOUT LOCATION
(VIEW FROM FRONT FACE OF DRAWER)



- NOTES:**
1. DIMENSIONS ARE IN: INCHES [mm]
(INCHES FRACTIONAL)
 2. DIMENSION SHOWN ARE FOR REFERENCE ONLY AND SHOULD BE VERIFIED IN THE FIELD DURING INSTALLATION.

8

7

6

5

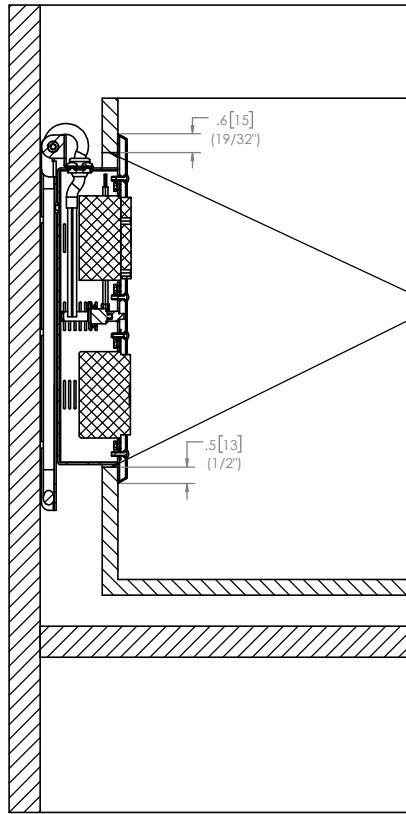
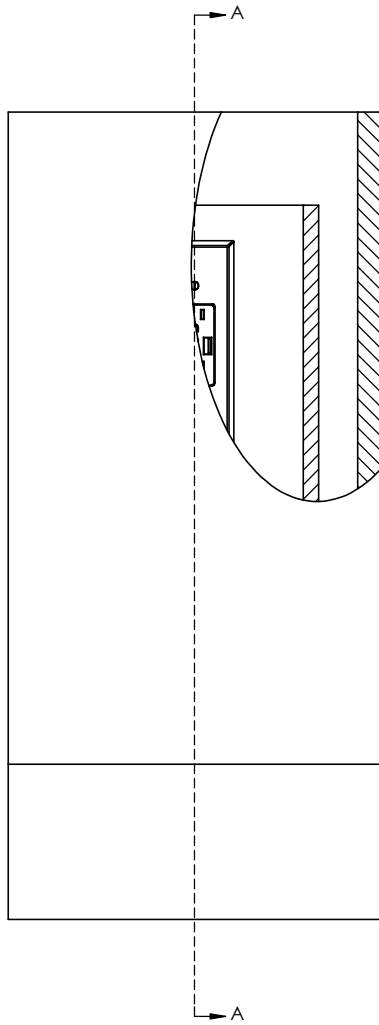
100 11 96000-0210 CON
ASB HD DWG

3

2

1

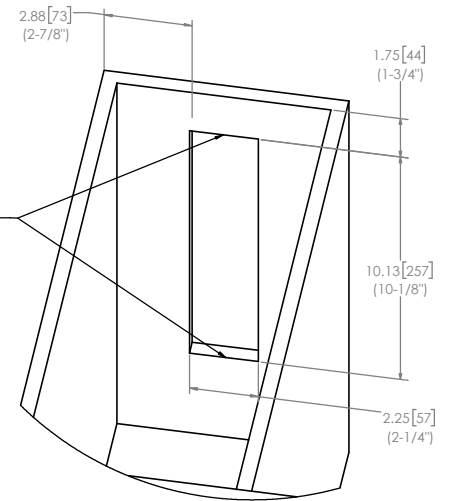
INSTALLATION OPTION #3 - VERTICAL MOUNTING



SECTION A-A

HORIZONTAL EDGE OF RECEPTACLE BOX CUTOUT

HORIZONTAL EDGE OF RECEPTACLE BOX CUTOUT



JTECH SOLUTIONS, INC. CONFIDENTIAL: THIS DOCUMENT AND THE INFORMATION CONTAINED IN IT ARE CONFIDENTIAL AND CANNOT BE COPIED OR DISCLOSED IN WHOLE OR IN PART WITHOUT THE EXPRESS WRITTEN CONSENT OF JTECH SOLUTIONS, INC.

SIZE	DWG NO.	REV
D	0170-00096	001
SCALE	SHEET	OF
1:2	11	11

2 0170-00096

1

8

7

6

5

4

3

1

DWG NO. 0170-00096 REV 11 001