

Dynapro 16, Full Extension Slide

Integrated Soft-close with optional 3-dimensional adjustment for 5/8" (16mm) drawer material

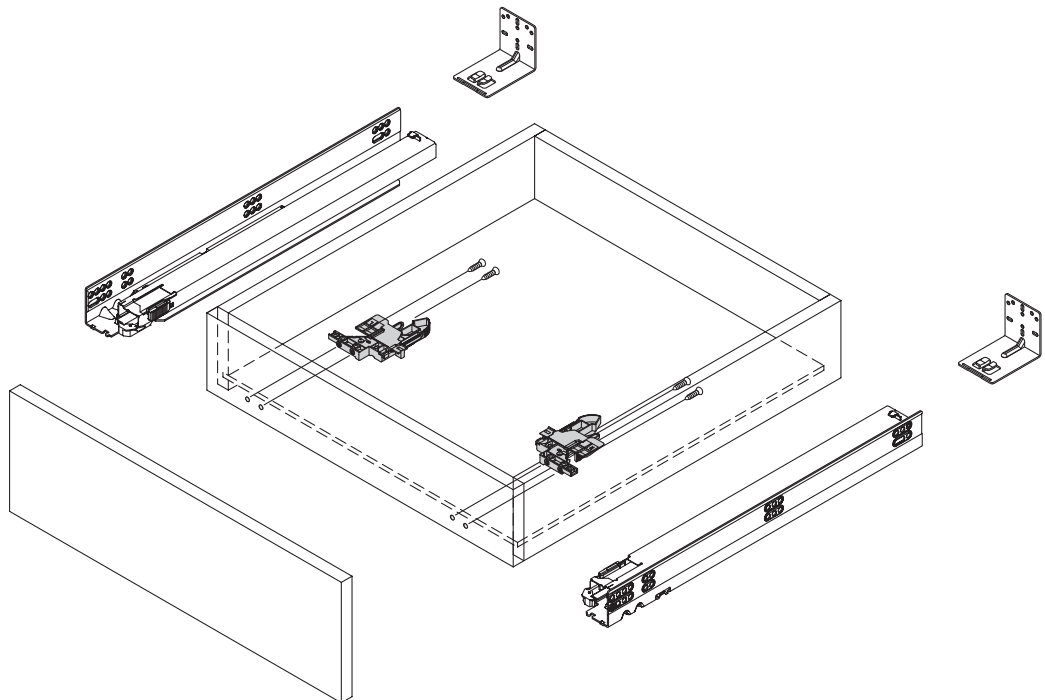


- Face frame or frameless applications from 1/2" (12.7mm) up to 5/8" (16mm) drawer material
- Full extension with a synchronized mechanism
- Soft-close liquid damping system
- Self-latching front locking devices have comfortable release levers for drawer removal and installation
- Height adjustment +3.5mm with suitable front locking device
- Side adjustment ±1.5mm with suitable front locking device
- Depth adjustment +3.0mm forward with suitable front locking device
- 88 lb load rating (40 kg)

Dynapro 16 Full Extension Slide, 88 lb (40 kg)

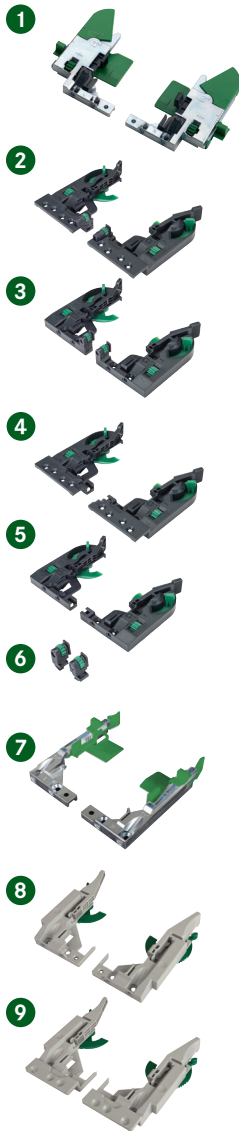


| Drawer Length | Nominal Length | Min Installation Depth | Max Installation Depth | Item No. | PU |
|---------------|-----------------|------------------------|------------------------|-----------------------|----|
| 229 (9") | 262 (10 5/16") | 266 (10 15/32") | 299 (11 3/4") | F130135013204 | 5 |
| 305 (12") | 323 (12 23/32") | 327 (12 7/8") | 370 (14 9/16") | F130135014204 | 5 |
| 381 (15") | 399 (15 23/32") | 403 (15 7/8") | 446 (17 9/16") | F130135015204 | 5 |
| 457 (18") | 475 (18 11/16") | 479 (18 27/32") | 522 (20 9/16") | F130135016204U | 5 |
| 533 (21") | 551 (21 11/16") | 555 (21 27/32") | 598 (23 17/32") | F130135019204U | 5 |



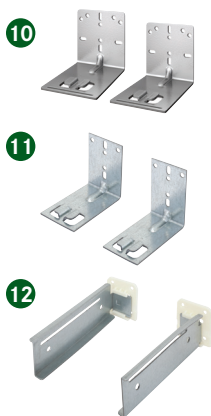
PU - Packaging unit

Front Locking Devices



| Description | Adjustments | Item No. | PU |
|--|---------------------|----------------------|-----|
| (Must order separately) | | | |
| 1 Front locking device, left | height, side | F134125000633 | 200 |
| Front locking device, right | height, side | F134125001633 | 200 |
| Front locking device, set | height, side | F134101400104 | 5 |
| 2 3D Flanged front locking device, left | height, side, depth | F134108942233 | 200 |
| 3D Flanged front locking device, right | height, side, depth | F134108943233 | 200 |
| 3 3D Front locking device, left | height, side, depth | F134108947233 | 200 |
| 3D Front locking device, right | height, side, depth | F134108948233 | 200 |
| 4 2D Flanged front locking device, left | height, side | F134108944233 | 200 |
| 2D Flanged front locking device, right | height, side | F134108945233 | 200 |
| 5 2D Front locking device, left | height, side | F134108950233 | 200 |
| 2D Front locking device, right | height, side | F134108951233 | 200 |
| 6 Depth adjustment set for non-flanged 2D, left & right | | F134108960533 | 5 |
| 7 Narrow front locking device, left | height | F134100699233 | 200 |
| Narrow front locking device, right | height | F134100700233 | 200 |
| 8 Eco front locking device, left | height | F134101221233 | 200 |
| Eco front locking device, right | height | F134101222233 | 200 |
| Eco front locking device, set | height | F134101220517 | 5 |
| 9 Eco flanged front locking device, left | height | F134116420233 | 200 |
| Eco flanged front locking device, right | height | F134116421233 | 200 |
| Eco flanged front locking device, set | height | F134116422204 | 5 |

Rear Mounting Brackets and Adjustment Adapter

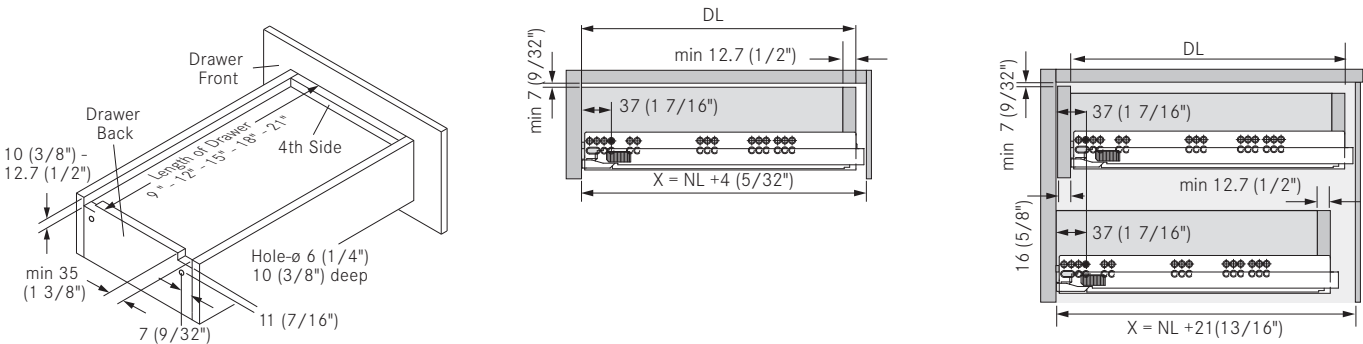


| Description | Item No. | PU |
|--|------------|-----|
| (Must order separately) | | |
| 10 Rear mounting brackets, non-handed for 12"-21" slides, each | 7950.VE20 | 20 |
| | 7950.VE300 | 300 |
| 11 Narrow rear mounting brackets, non-handed for 12"-21" slides, each | 7951.VE300 | 300 |
| 12 Rear mounting bracket for 9" slides, set | 00433-37 | 5 |
| Set Includes: left and right bracket, (4) #M5 x 8 screw | | |

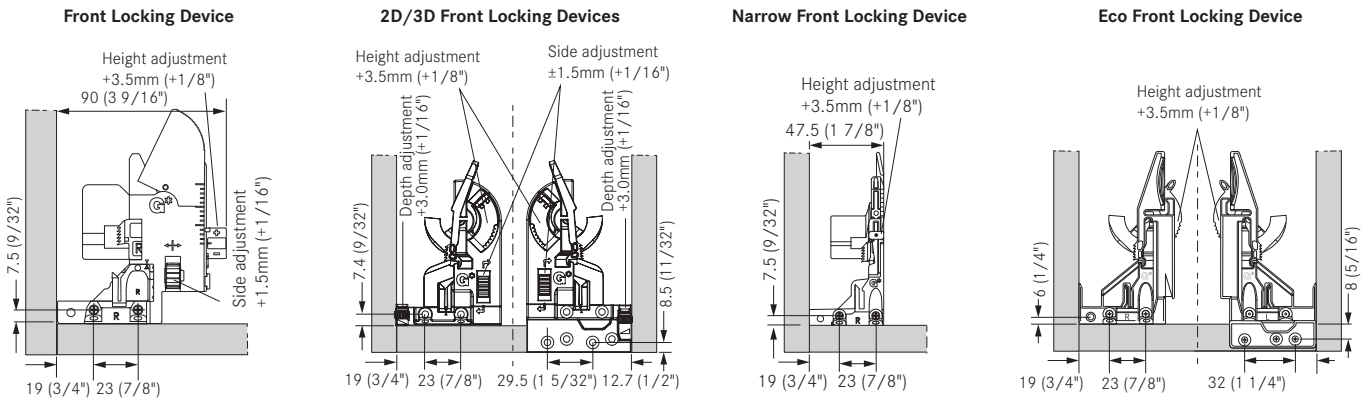
Dynapro 16, Full Extension Slide

Integrated Soft-close with optional 3-dimensional adjustment for 5/8" (16mm) drawer material

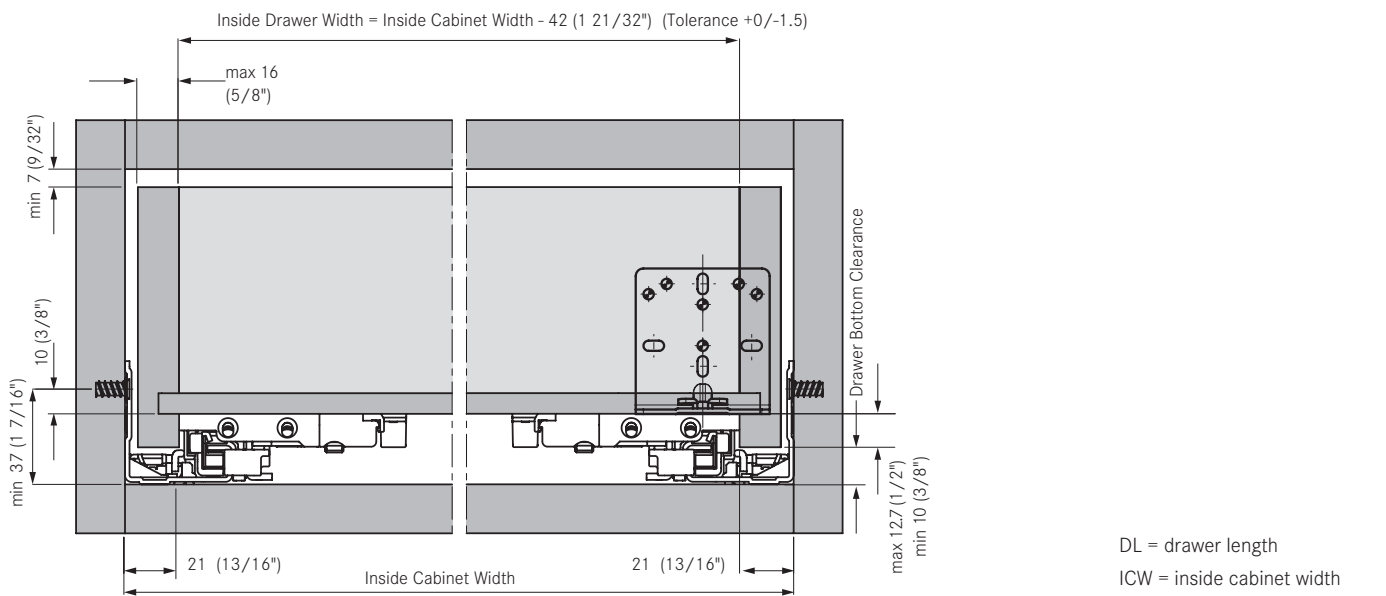
Drawer Measurements



Front Locking Device Installation



Drawer Installation Dimensions

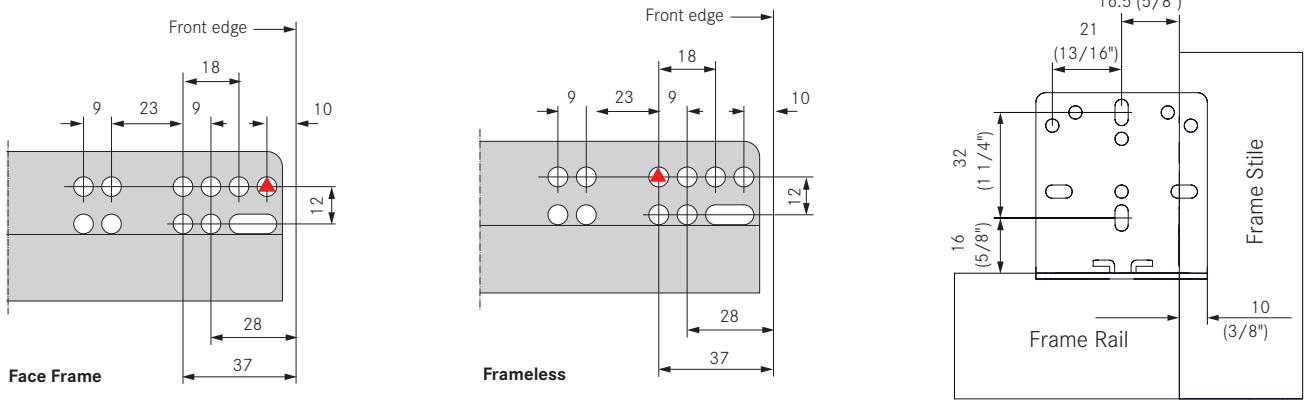


Minimum inside drawer width determined by front locking device. See page 8.

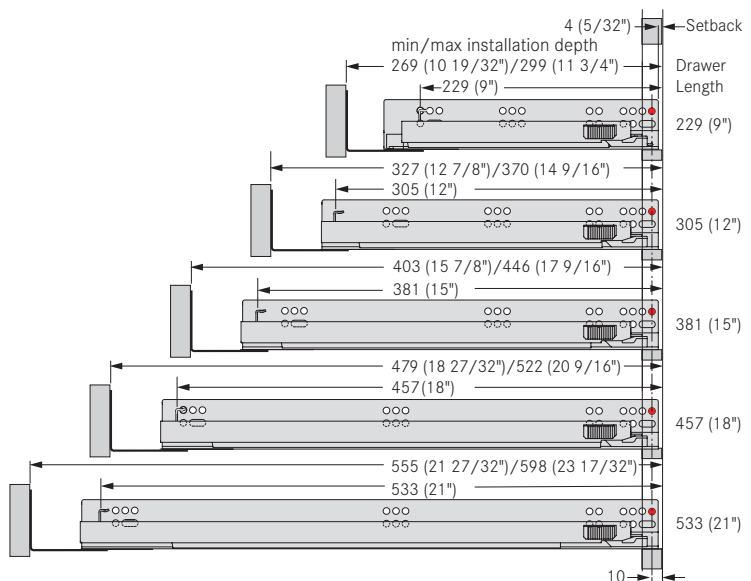
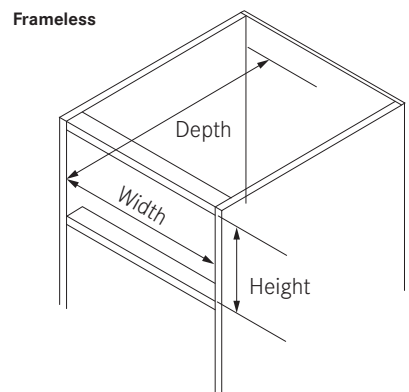
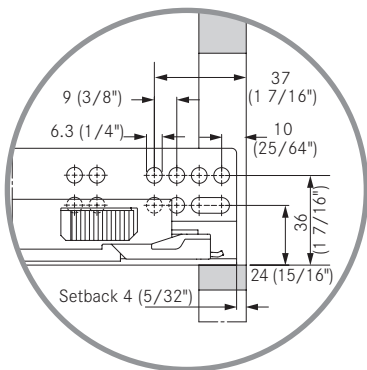
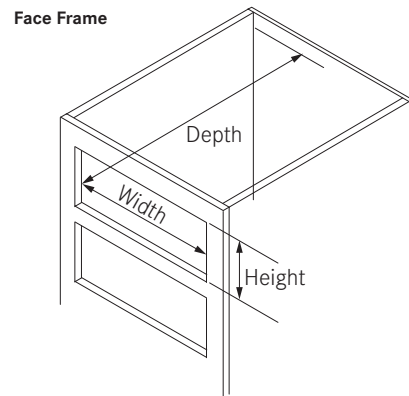
DL = drawer length
 ICW = inside cabinet width
 IDW = inside drawer width
 NL = nominal length
 X = minimum installation depth

| | |
|---------------------------|----------------|
| Drawer Material Thickness | 16mm (5/8") |
| Dynamic Load | 88 lb (40 kg) |
| Static Load | 100 lb (45 kg) |

Mounting Position for Front Cabinet Profile **Rear Bracket for Face Frame**



Cabinet Boring Specifications



Pre-drilling recommended $\varnothing 2.5\text{mm}$ (3/32").

Note: The recommendations for screw placement are guidelines only. Installers need to ensure that the cabinet wall is adequate.

