

SPEC BOOK 2020/2021

Merillat

MASTERPIECE®
— COLLECTION —



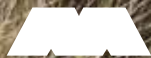
MERILLAT CABINETY

Merillat

MASTERPIECE®

— COLLECTION —

OUR
VERY
BEST



MERILLAT CABINETRY

THE
M A S T E R P I E C E[®]
COLLECTION

Specifications

©2020



MERILLAT CABINETRY

THE MERILLAT MASTERPIECE® COLLECTION

CUSTOMER CARE

FOR HOMEOWNERS

Merillat.com

Our website offers many ways to inspire organizational solutions in beautiful cabinetry options. Highlights include:

- View inspirational designs and photos.
- Visualize door styles by wood species and finish.
- View accessories and storage solutions by room type.
- Educate consumers about wood characteristics, installation, Merillat sustainability initiatives, and dos and don'ts of cabinetry care.

FOR DESIGNERS AND DEALERS

CabinetryInfo.com

If you're not currently registered for CabinetryInfo.com, you could be missing important product and brand information. It's quick and easy, so visit the site and register today. It will enable you to:

- Place an order and check order status or track delivery progress.
- Replacement part ordering.
- Download or order product literature, like the product brochure, specification, and price books and 2020 Design updates.
(For questions on 2020 Design, email ecatalogsupport@merillat.com.)
- Order finish samples, door backers, literature and more from the shopping cart.
- Training resources and marketing tools.

MERILLAT CUSTOMER CARE RESOURCES

Electronic means are convenient, but sometimes you just need to talk to a person, and Merillat Customer Care consultants are here to help. Your consultant can help you:

- Place an order.
- Follow up on orders or track delivery progress.
- Discuss product situations or address invoice questions.

Additional assistance is available through Customer Care: (800) 435-0791 or masterpiece@merillat.com

Your Merillat® Account Manager is there to help you every step of the way. Make sure to contact them whenever you have questions, concerns, or need information.



KITCHEN CABINET MANUFACTURERS ASSOCIATION.
ENVIRONMENTAL STEWARDSHIP PROGRAM (ESP).
ALL PRODUCTS MARKED THE ENVIRONMENT
FOR ESP PROGRAM CRITERIA. VISIT KCMA.ORG



ANSI/KCMA A161.1



WARNING: This product can expose you to chemicals including formaldehyde, which is known to the State of California to cause cancer. For more information go to www.P65Warnings.ca.gov.

WARNING: Drilling, sawing, sanding or machining wood products can expose you to wood dust, a substance known to the State of California to cause cancer. Avoid inhaling wood dust or use a dust mask or other safeguards for personal protection. For more information go to www.P65Warnings.ca.gov/wood.

Overlaid engineered wood used for cabinet construction has been tested in accordance with UL standard recognized-ASTM E 162-90-Standard Test Method for Surface Flammability of Materials, using a radiant heat energy source, and HUD Standard 3280.203, .204 and .209.

Formaldehyde emissions comply with requirements of 24 CFR, Part 3280 (August 9, 1984), the HUD rule on Manufactured Home Construction and Safety Standards and 29 CFR Part 1910 (May 27, 1992), the OSHA rule on Occupational Exposure to Formaldehyde. Formaldehyde emissions for raw engineered wood is restricted to 0.3 parts per million. In keeping with our policy of continuous refinement, Cabinetworks Group Michigan, LLC reserves the right to alter specifications and styles without general notice or obligation to make similar changes in products previously manufactured.

Merillat Cabinetry carries the seal of the Kitchen Cabinet Manufacturers Association (KCMA) Certification Program, which assures that our cabinets meet or exceed the rigorous standards set by the American National Standards Institute (ANSI). Our cabinets are also independently tested to ANSI/KCMA A161.1-2000 and paragraph 611-1.1, "HUD Minimum Property Standards-Housing 4910.1" 9-8-86.

Merillat Cabinetry demonstrates its commitment to environmental sustainability through meeting or exceeding the requirements as outlined in the Environmental Stewardship Program certification, administered by the KCMA.

All Merillat Cabinetry facilities have also obtained ISO 14001 certificate of approval, demonstrating our commitment to reducing the impact of operations on the environment.



MERILLAT CABINETRY

Table of Contents

What's New	2-5	Furniture Cabinets	I1-I18
Index	i-viii	Bookshelves	I1-I5
Door Styles	A1-A98	Wood Tops	I6-I7
Finishes	B1-B14	Furniture Accessories	I8-I13
Construction Specifications and Options	C1-C36	Design Ideas	I14-I17
Cabinet Specifications	C1-C8	Universal Access Cabinets	J1-J10
Construction Options	C9-C36	Universal Access Cabinets	J1-J7
Wall Cabinets	D1-D70	Universal Access Accessories	J8-J9
Wall Cabinets	D1-D8	Panels-Shelving-Trays	K1-K20
Peninsula Wall Cabinets	D9-D10	Custom Appliance Panels	K1-K4
Wall Corner Cabinets	D11-D20	Decorative Appliance Panels	K5-K8
Peninsula Wall Corner Cabinets	D21-D22	Paneling	K9-K12
Wall End Run Cabinets	D23-D25	Shelving	K13-K18
Wall Open Cabinets	D26-D29	Roll-out Trays	K19-K20
Wall Microwave Cabinets	D30-D34	Decorative Doors and Inserts	L1-L28
Wall Hoods	D35-D50	Glass Door Availability Charts	L1-L3
Wall Specialty Cabinets	D51-D56	Aluminum Frame Glass	L4-L7
Wall Accessories	D57-D69	Camed Glass	L8-L10
Base Cabinets	E1-E70	Classic Glass	L11-L13
Base Cabinets	E1-E15	Etched Glass	L14-L15
Base Appliance Cabinets	E16-E21	Layered Glass	L16-L18
Base Corner Cabinets	E22-E30	Mullion Doors	L19-L23
Peninsula Base Corner Cabinets	E31-E32	Specialty Inserts	L24
Base End Run Cabinets	E33-E34	Textured Glass	L25-L27
Base Island Cabinets	E35-E38	Decorative Enhancements	M1-M36
Base Specialty Cabinets	E39-E47	LED Lighting	M1-M3
Base Accessories	E48-E69	Supports and Valances	M4-M8
Tall Cabinets	F1-F38	Molding	M9-M25
Tall Cabinets	F1-F17	Molding Accents	M26-M35
Tall Appliance Cabinets	F18-F27	Replacement Parts	N1-N26
Tall Cabinet Accessories	F28-F37	Hardware	N1-N8
Vanity Cabinets	G1-G76	Touch-Up	N9-N15
Vanity Cabinets	G1-G40	Door & Drawer Front-Sizes	N16-N26
Vanity Collections	G41-G57		
Vanity Accessories	G58-G75		
Office Cabinets	H1-H14		
Office Cabinets	H1-H7		
Office Accessories	H8-H14		

What's New inside your 2020 Spec Book

New Product

Finishes	Page
Color Match Paint & Color Match Paint w/Suede	B8
Construction Options	Page
Change Top Rail	C27
Base Cabinets	Page
Base Double Door w/Deluxe Dovetailed Trays	E2
Panels–Shelving–Trays	Page
Center Stile Mounting Block	K19
Custom Filler Overlay	K4
Deluxe Dovetailed Roll-out Tray in 16", 19", 22" widths	K19

What's Changed

Stain w/Glaze have new finish codes
 Paint w/Glaze process changed to Paint w/Highlight
 Touch-up Kits are now premium with new codes

What's Discontinued

Door Styles

Cream door styles
 Hadley door styles
 Chestnut w/Onyx Glaze & Suede
 Cinnamon & Suede, Distressed Cinnamon, Cinnamon w/Onyx Glaze & Suede
 Praline w/Onyx Glaze & Suede

Construction Options

Contrasting backs with glaze
 Contrasting backs with Cinnamon
 Mullion Strip Utility Top–Void Center Stile
 Mullion Strip Utility Bottom–Void Center Stile
 Mullion Strip Oven Cabinet–Void Center Stile

Wall Cabinets

Tambour Storage
 Tambour Storage Angle

Tall Cabinets

Refrigerator and Utility Tall Cabinets without BUTT doors

Vanity Cabinets

Vanity Base Top Mount Wastebasket 152134

Touch-up

All Touch-up for discontinued finishes

Decorative Enhancements

Olive Leaf Corbel, Molding and Onlay

Replacement Parts

Cutting Board Finish

Order Upcharge % Guide

Notes

Finishes	%
Standard Thermofoil Finishes	N/C
High-Gloss Foil Finishes	N/C
Wood-Grain Foil Finishes	N/C
Standard Stain Finishes	N/C
Premium Stain w/Suede Topcoat Finishes	10%
Premium Stain w/Glaze Finishes	15%
Premium Stain w/Glaze Suede Topcoat Finishes	25%
Premium Distressed Stain Finishes	25%
Premium Painted Finishes	15%
Premium Paint w/Suede Topcoat Finishes	19%
ColorMatch™ Paint Finishes	25%
ColorMatch™ Paint w/Suede Topcoat Finishes	30%
Premium Paint w/Highlight Finishes	19%
Premium Paint w/Highlight Suede Topcoat Finishes	25%
Premium Vintage Paint Finishes	25%
Premium Vintage Paint w/Suede Topcoat Finishes	25%
Premium Aged Paint Finishes	30%

Construction Options	Code	%
Plywood Ends	PE	10%
Plywood Ends Both	PEB	10%
All Plywood Construction with 1/2" End Panels	APC / AP	20%
All Plywood Construction with 3/4" (Furniture) End Panels	APFC	35%
Furniture Plywood Ends	FPEB	15%
Matching Interior Standard Construction-Vinyl	MIV	25%
Matching Interior with 1/2" Plywood End Panels	MIP	25%
Matching Interior with 3/4" (Furniture) End Panels on APC	MIAPFC	50%
Matching Interior with 3/4" Furniture Plywood End Panels	MIFP	30%
Back Option	BEB	30%
Back Option	VGRB	30%
Contrasting Back Option - Plain Back	CPLB	35%
Contrasting Back Option - Beaded Back	CBEB	40%
Change Width	CW	30%
Reduced Depth	RD	30%
Increased Depth	ID	30%
Change Height	CH	30%
Change Width & Reduce Depth	CW.RD	40%
Change Width & Increase Depth	CW.ID	40%
Reduce Depth & Change Height	RD.CH	40%
Increase Depth & Change Height	ID.CH	40%
Change Width & Change Height	CW.CH	40%
Change Width, Reduce Depth & Change Height	CW.RD.CH	50%
Change Width, Increase Depth & Change Height	CW.ID.CH	50%
Cabinet Front Only	CFO	-30%
Inverted Frame	IF	35%
Oven Cabinet Cut-out	COS	30%
Oven Cabinet Cut-out - Top	COT	20%
Oven Cabinet Cut-out - Center	COC	20%
Oven Cabinet Cut-out - Bottom	COB	20%
Change Top Rail	CTR	5%
Void all Doors and Drawer Fronts	VDA	-15%
Void Doors Only	VDO	-5%
Void Top Drawer Box	VTDW	N/C
Void all Drawer Boxes	VDW	N/C
Prep for Warming Drawer	PWD	20%
Scoop Top Drawer	STDW	N/C
Void Toe Kick	VTK	10%

Notes

Notes

ITEM	PAGE	ITEM	PAGE	ITEM	PAGE
1					
135° Base Inside Angle Corner Cabinet	E30	Base Blind Corner w/Wood Lazy Susan	E23	Base Oven Cabinet Universal	E16
135° Base Outside Angle Corner Cabinet	E30	Base Blind Corner w/Wood Swing-out	E24	Base Pantry Pull-out	E40
135° Wall Inside Angle Corner Cabinet	D14	Base Blind Corner Wood Lazy Susan Kit	E50	Base Pantry Pull-out Utensil Storage	E43
135° Wall Outside Angle Corner Cabinet	D15	Base Bottom Mount Wastebasket–Double	E47	Base Pots and Pans Organizer Roll-out Field Installation	E49
		Base Bottom Mount Wastebasket–Double w/Auto-open Kit	E47	Base Pots and Pans Storage Four Drawer	E7
		Base Bottom Mount Wastebasket–Single	E47	Base Pots and Pans Storage Three Drawer	E7
		Base Bottom Mount Wastebasket–Single w/Auto-open Kit	E46	Base Pots and Pans Storage Two Drawer	E7
8		Base Box	E65	Base Single Door	E1
8' Power Cable	M2	Base Built-in Microwave Cabinet	E20	Base Single Door w/Deluxe Dovetailed Full-Width Tray(s)	E2
8' Power Extension Cable	M2	Base Cleaning Storage Cabinet	E41	Base Spice Drawer Cabinet	E44
A		Base Cleaning Storage Cabinet w/Auto-Open	E42	Base Step Stool Cabinet	E43
Acanthus Corbel	M28	Base Column	E65	Base Three Drawer	E6
Acanthus Insert	M26	Base Cooking Center	E44	Base Top Mount Wastebasket–Double Sidemount Soft-Close	E46
Acanthus Onlay	M28	Base Cookware Storage Roll-out Field Installation	E49	Base Top Mount Wastebasket–Full-Height Sidemount Soft-Close	E46
Adjustable Drawer Dividers	E51, I10	Base Corner Angle	E33	Base Top Mount Wastebasket–Recycling Center Sidemount Soft-Close	E46
Adjustable Shelf Clips	N4	Base Corner Drawer Cabinet	E29	Base Top Mount Wastebasket–Single Sidemount Soft-Close	E45
Aerosol Can	N10	Base Corner Smart Space Cabinet	E29	Base Tray Pull-out	E40
Aged Bronze Knob	M40	Base Deep Drawer Combination	E8	Base Utensil Pull-Out	E42
Aged Bronze Pull	M40	Base Deep Drawer Combination - Top & Bottom Tray	E8	Base w/Pots and Pans Organizer	E45
Aged Pewter Beaded Knob With Backplate	M41	Base Dishwasher Cabinet	E20	Base Wine Rack	E39
Aged Pewter Beaded Pull	M41	Base Double Door	E1	Batten Molding	M11
All Plywood Construction with 1/2" End Panels	C10	Base Double Door Double Drawer	E1	Bead Edging	M11
All Plywood Construction with 3/4" (Furniture) End Panels	C10	Base Double Door w/Deluxe Dovetailed Full-Width Tray(s)	E2	Bead Molding	M11
Aluminum Integrated Angled Pull	M38	Base Double Door w/Deluxe Dovetailed Tray(s)	E2	Bead Pilaster	M11
Aluminum Integrated Pull	M38	Base End Angle	E33	Beaded Light Rail	M11
Aluminum Round Bar Pull	M38	Base End Corner	E33	Beaded Panel Molding	M12
Aluminum Round Leg	M30	Base End Panel	E67	Beaded Paneling	K10
Aluminum Square Leg	M30	Base End Panel w/Stile	E67	Bistro Insert	L11
Angle Crown Molding	M10	Base Filler	E62	Bread Box Drawer	E7
Angle Crown Molding–Face-Mount	M10	Base Filler Overlay	E63	Bread Box or Kit	E53
Angled Corner Molding	M10	Base Filler Pull-out	E40	Brushed Brass Tapered Bow Pull	M37
Angled Wood Edge	M10	Base Fluted Column	E65	Brushed Brass Tapered Knob	M37
Angled Wood Tops	I6	Base Fluted Filler	E63		
Antique Knob	M39	Base Four Drawer	E6	C	
Antique Pull	M39	Base Full-Height Double Door	E3	Cabinet Care Kit	N9
Antiquity Insert	L16	Base Full-Height Double Door 12" Deep	E4	Cabinet Front Only	C25
Apple Leg	M32	Base Full-Height Single Door	E3	Cabinet Panel Edge	M12
Apron Sink Base Extended	E13	Base Full-Height Single Door - Full Overlay	E3	Cabinet Valance Options	C27
Apron Sink Base Extended 27" Deep	E13	Base Full-Height Single Door 12" Deep	E4	Cascade Insert	L25
Asymmetrical Easy Reach	E28	Base Full-Height Single Door w/Tray Divider	E3	Castlegate	L19
Asymmetrical Easy Reach w/Chrome Super Susan	E28	Base Inside Corner Angle Filler	E63	Center Beaded Insert	M26
Asymmetrical Easy Reach Wood Super Susan	E28	Base Inside Corner Angle Filler Overlay	E63	Center Rail Cutout	K3
Asymmetrical Wall Easy Reach	D20	Base Liter Bottle	E43	Chair Rail	M12
Attached Decorative End (Factory Applied Replacement Doors)	C19	Base Message Center	E34	Chalkboard Insert	L24
		Base Microwave Cabinet 34 1/2" H w/Bottom Drawer–Extended Opening	E18	Change Height	C21
		Base Microwave Cabinet 34 1/2" H w/Deep Bottom Drawer	E18	Change Width	C20
		Base Microwave Cabinet 46 1/2" H	E19	Change Width & Change Height	C23
		Base Microwave Cabinet 46 1/2" H w/Drawers–Extended Opening	E19	Change Width & Increase Depth	C22
		Base Microwave Cabinet 46 1/2" H–Extended Opening	E19	Change Width & Reduce Depth	C21
		Base Microwave Drawer	E19	Change Width, Increase Depth & Change Height	C24
		Base Mixer Shelf	E45	Change Width, Reduce Depth & Change Height	C24
		Base Multi-Storage Pantry	E44	Change Top Rail	C27
				Charging Drawer	E58

ITEM	PAGE	ITEM	PAGE	ITEM	PAGE
Chateau Insert	L8	Decorative Panel–Back Panel	K6	Easy Reach w/Chrome Super Susan	E27
Chopping Block or Kit	E55	Decorative Panel–Door Onlay Panel and Hinge Doors	K6	Easy Reach Wood Super Susan	E27
Chrome Deluxe Roll-out Tray Factory Installed	K20	Decorative Panel–Drawer Onlay Panel	K7	Egg and Dart Edge	M27
Chrome Deluxe Roll-out Tray Field Installation	K20	Decorative Panel–Wainscot	K8	Empire Corbel	M29
Chrome Lazy Susan Kit for Wall Angle Cabinets	D60	Decorative Posts	M33	Empire Crown Molding	M16
Classic Camed Insert	L8	Decorative Wide Rail Options	C28	Empire Knob	M44
Classic Crown Molding	M12	Deep Drawer Organizer	E62	Empire Leg	M31
Classic Crown Molding w/Molding Mounting Strip	M12	Deep Drawer Organizer w/Canister Storage and Deep Drawer Organizer w/Tall Canister Storage	E60	Empire Light Rail	M16
Classic Drawer Front	C33	Deep Range Base	E17	Empire Pull	M45
Classic Leg	M31	Deep Sink Base	E12	Empire Square Knob	M44
Clipped Corner Wood Tops	I7	Deep Sink Base 27" Deep	E12	Empire Starter Molding	M14
Computer Keyboard Drawer Cabinet	H6	Deep Sink Base Extended	E13	End-to-End Connector	M2
Computer Keyboard Drawer Kit	H9	Deluxe Dovetailed Roll-out Tray Factory Installed	K19	Evansville	L19
Connector Kit for Custom Wire Length	M2	Deluxe Dovetailed Roll-out Tray Field Installation	K19	Extended Stile	C28
Console Vanity	G6	Deluxe Raised or Recessed Panel Drawer Front	C32		
Console Vanity Deluxe Roll-Out Tray	G7	Deluxe Roll-out Tray Extension Tail	N3	F	
Contemporary Wood Crown	M13	Dentil Edging	M15	Fabric Care Ensemble	F26
Contemporary Wood Edge	M13	Dentil Insert	M26	Fabric Care Ensemble Cabinet	F27
Contemporary Wood Tops	I6	Dentil Molding	M16	Fabric Care Ensemble Panels	F27
Contrasting Back Option–Beaded Back	C16	Desk Box	H11	False Front Clips	N5
Contrasting Back Option–Plain Back	C15	Desk Column	H11	Federal Knob	M49
CoreGuard® Panel Backer	K12	Desk Door Cabinet–Double Door	H2	Federal Leg	M31
CoreGuard® Sink Base	E8	Desk Door Cabinet–Single Door	H2	Federal Molding	M17
CoreGuard® Vanity	G16	Desk Double File Drawer	H4	Federal Pull	M49
Corner Molding	M13	Desk Drawer Cabinet	H3	Fill Stick	N15
Corner Tall End Panel	F36	Desk Easy Reach	H7	Filler Extension	D65, E64, H10
Corner Tall Molding	M13	Desk End Panel	H12	Finished End Wood Tops	I7
Countertop Support	M4	Desk File Drawer Cabinet	H3	Flat Framed Beveled Mirror	G38
Cove Base Board Extended	M13	Desk Filler	H9	Floating Shelf Cove Molding	M17
Cove Casing	M14	Desk Filler Overlay	H9	Floating Shelf Sterling Molding	M17
Cove Corbel	M29	Desk Fluted Column	H11	Floating Shelves	I8
Cove Leg	M32	Desk Fluted Filler	H9	Floating Shelves - Cove	I8
Cove Light Rail	M14	Desk Full-Height Door	H3	Floating Shelves - Sterling	I9
Cove Molding	M14	Desk Knee Drawer Cabinet	H6	Flush Finished Blind	D13
Cove Molding w/Molding Mounting Strip	M15	Desk Multi-Storage Drawer Cabinet	H3	Fluted Extended Stile	C29
Crescent Knob	M45	Desk Wastebasket	H4	Fluted Filler Extension	D65
Crescent Pull	M46	Desk Wastebasket w/Soft-Close Runners	H5	Fluted Integrated Extended Stile	C29
Crossroads Insert	L14	Diagonal Wine Storage Cabinet	D28	Fluted Leg	M32
Crown Molding	M15	Dishwasher Panel	E20	Fluted Square Posts	M34
Crown Molding w/Molding Mounting Strip	M15	Dishwasher Raised Panel	E21	Fordham Bin Pull	M50
Cultured Marble Top	G10	Distressed French Lace Knob	M42	Fordham Knob	M49
Custom Appliance Panel-Frame Only	K3	Distressed French Lace Pull	M43	Framed Mirror w/Decorative Accents	G54
Custom Appliance Panel–Door Onlay Panel	K2	Dolace Insert	L25	Framed Mirror–Angle Crown	G38
Custom Appliance Panel–Door Onlay Panel with Custom Center Rail	K2	Door Insert Clips	N5	Framed Mirror–Classic	G39
Custom Appliance Panel–Drawer Onlay Panel	K4	Door Stop Kit	N4	Framed Mirror–Large Cove	G39
Custom Filler Overlay	K4	Door Storage	D51	Framed Mirror–Large Crown	G39
Cutlery Divider or Kit	E56	Door Storage Angle	D52	Framed Mirror–Traditional	G39
Cutting Board Door Rack Kit	E55	Double Oven Opening Kit	F28	French Farm Cup Pull	M43
Cutting Center or Kit	E54	Down Draft Base	E18	French Farm Pull	M44
		Drawer Partition	E52	French Farm Round Knob	M43
		Drawer Storage Angle	D52	French Leg	M33
		Drawer Storage Cabinet	D52	Fresco Brushed Aluminum	L4
		Drop-in Range Panel	E18	Front Shelf Clips	N4
D				Full Extension Drawer Runner	N3
DayBrek Dimmable Driver	M3			Full-Height Doors	C32
Decorative Accent End Panel	E67	E		Furniture Base 84" and 90" H	I5
Decorative Island End Cap Legs	M33	Easy Reach	E27	Furniture Base 96" H	I5
Decorative Leg	M31				

ITEM	PAGE	ITEM	PAGE	ITEM	PAGE
Furniture Book Shelf–84", 87" and 90" H	I4	Island End - Transitional	E38	Microwave Cooking Center–Extended Opening	F24
Furniture Book Shelf–93" and 96" H	I4	Island End Cap Open with False Doors	E37	Microwave Kit–Compact	E20
Furniture Book Shelf–Top	I3	Island End Cap with Doors	E35	Mirage Insert	L17
Furniture Drawer 12" H	I9	Island End Cap with Drawers	E36	Mirror Cabinet–Recessed Mount	G35
Furniture Drawer 6" H	I9	Ivy Insert	M27	Mirror Cabinet–Surface Mount	G36
Furniture End Panels	I10			Mirror Molding	M18
Furniture Matching Base End Panel	E68	J		Mission Angle Support	M4
Furniture Matching Desk End Panel	H13	Jericho Knob	M50	Mission Batten Molding	M18
Furniture Matching Tall End Panel	F36	Jericho Pull	M50	Mission Countertop Support	M4
Furniture Matching Tall Vanity End Panel	G71	K		Mission Flat Wood Edge	M18
Furniture Matching Vanity End Panel	G69	K-Cup® Drawer Organizer Kit-Field Installation	E52	Mission Light Rail	M18
Furniture Matching Wall End Panel	D69	K-Cup® Shelf Kit	D59	Mission Outside Corner	M19
Furniture Panels	I12	Knee Drawer Divider or Kit	H8	Mission Scribe Molding	M19
Furniture Plywood Ends	C10	Knife Section Cutting Center or Kit	E55	Mission Shelf Support Bracket	M5
Furniture Shelf Rests	N5	Knife Section or Kit	E54	Mission Single Bead Edging	M19
Furniture Shelves	I11			Mission Single Bead Molding	M19
Furniture Wall	I1	L		Mission Single Bead Pilaster	M19
Furniture Wall Top	I2	Lattice Wall	D27	Mission Single Bead Wood Edge	M20
		Lattice Wall Cabinet	D27	Mission Starter Molding	M16
G		Lazy Susan End Panel	E25	Mode Knob	M50
Glass Door Inserts	C32	LED Flexible Strip Tape Light - LED Light Sources	M1	Mode Pull	M51
Glass Insert Retainer Strip	N6	LED Puck Light	M1	Modern Casing	M20
Glass Shelf Kit w/Adjustable Shelf Clips	K14	Library Molding	M17	Modern Cup Pull	M48
Glass Shelf Kits	K14	Lighted Tri View Mirror	G38	Modern Frosted Insert	L14
Glass Shelf Rests	N5	Lisbon Insert	L14	Modern Pull	M48
		Low Voltage LED Wall Dimmer Switch	M3	Modern Textured Insert	L26
H				Moire Insert	L26
Hamper Kit	G60	M		Molding Mounting Strip	M20
Hardware Screws	N6	Matching Base End Panel	E67	Motion Sensor On/Off Switch	M3
Heat Shield	E16	Matching Base End Panel–Mitered	E68	Mullion Strip Base–Void Center Stile	C25
Heirloom Knob	M47	Matching Base End Panel–Square Edges	E68	Mullion Strip Peninsula Base–Void Center Stile	C26
Heirloom Pull	M48	Matching Desk End Panel	H13	Mullion Strip Wall–Void Center Stile	C25
Heritage Knob	M47	Matching Desk End Panel–Mitered	H13	Multi Storage Pantry 24" Wide	F14
Heritage Pull	M47	Matching Desk End Panel–Square Edges	H13	Multi Storage Pantry 36" Wide	F14
Hewitt	L20	Matching Interior Standard Construction–Printed Woodgrain Laminate	C11	Multi-Sized Deep Drawer Organizer w/Food Storage and Multi-Sized Deep Drawer Organizer	E59
Hinges–Bifold	N8	Matching Interior with 1/2" Plywood End Panels	C11		
Hinges–Partial Or Full Overlay Easy Reach	N8	Matching Interior with 3/4" (Furniture) End Panels on All Plywood (APC) Orders	C11	N	
Hinges–Partial Overlay Concealed	N7	Matching Interior with 3/4" Furniture Plywood End Panels	C11	Non-slip Drawer Liner	E52, G59
I		Matching Tall End Panel	F35	O	
Increase Depth & Change Height	C23	Matching Tall End Panel–Mitered	F36	Ogee Edging	M20
Increased Depth	C20	Matching Tall End Panel–Square Edges	F35	Ogee Molding	M20
Inset Light Rail	M17	Matching Tall Vanity End Panel	G70	Ogee Pilaster	M21
Installation Screws	N6	Matching Tall Vanity End Panel–Mitered	G72	Oil Rubbed Bronze Pull	M37
Integrated Base Message Center	C30	Matching Tall Vanity End Panel–Square Edges	G71	Olive Leaf Knob	M41
Integrated Base Spice Shelf	C31	Matching Vanity End Panel	G68	Olive Leaf Pull	M41
Integrated Decorative End	C17	Matching Vanity End Panel–Mitered	G70	Operational End	C18
Integrated Extended Stile	C29	Matching Vanity End Panel–Square Edges	G69	Organizer Wall Cabinet	H1
Integrated Message Center Utility	C30	Matching Wall End Panel	D68	Organizers	D56
Integrated Utility Cleaning Storage	C31	Matching Wall End Panel–Square Edges	D68	Organizers	H2
Integrated Wall Message Center	C30	Matte Nickel Knob	M36	Oval Rosette	M28
Integrated Wall Spice Shelf and Open Integrated Storage	C31	Medium Football Knob	M36	Oven Cabinet Cut-out	C31
Inverted Frame	C25	Microwave Cooking Center	F23	Oven Cabinet-Combination w/Bottom Drawer	F22
Island End - Bookcase	E37	Microwave Cooking Center w/Drawer Storage	F24	Oven Cabinet–Combination w/3" Stiles	F22
Island End - Gateway	E38	Microwave Cooking Center w/Drawer Storage–Extended Opening	F25	Oven Cabinet–Double Extended Opening w/3" Stiles	F21
Island End - Tapered Leg	E38				

ITEM	PAGE	ITEM	PAGE	ITEM	PAGE
Oven Cabinet—Double w/3" Stiles	F20	Plain Capital Tall Fluted Column	F32	Rosette Desk Fluted Filler Overlay	H10
Oven Cabinet—Double w/3" Stiles—Deep Drawer	F20	Plain Capital Tall Fluted Filler	F30	Rosette Tall Fluted Column	F32
Oven Cabinet—Single Oven/Microwave Combination w/3" Stiles—Bottom Drawer	F19	Plain Capital Vanity Fluted Column	G67	Rosette Tall Fluted Filler	F31
Oven Cabinet—Single w/3" Stiles	F18	Plain Capital Vanity Fluted Filler	G65	Rosette Tall Fluted Filler Overlay	F31
Oven Cabinet—Single w/3" Stiles—Two Bottom Drawers	F19	Plain Capital Wall Fluted Column	D67	Rosette Vanity Fluted Column	G67
Oven Cabinet—Universal	F23	Plain Capital Wall Fluted Filler	D64	Rosette Vanity Fluted Filler	G65
Oven Trim Kit	F28	Plain Square Posts	M34	Rosette Vanity Fluted Filler Overlay	G65
Overlay Panel For Base Blind Corner Cabinets	E68	Plywood Ends	C10	Rosette Wall Fluted Column	D67
Overlay Panel For Wall Blind Corner Cabinets	D69	Polish	N9	Rosette Wall Fluted Filler	D64
		Portrait Framed Mirror—Classic	G40	Rosette Wall Fluted Filler Overlay	D64
		Portrait Framed Mirror—Cove	G40	Round Knob	M42
		Portrait Framed Mirror—Federal	G40		
		Portrait Framed Mirror—Traditional	G40	S	
		Prairie Insert	L15	Sail Knob	M47
		Prep for Warming Drawer	C34	Sail Pull	M47
		Prepared for Glass	L12	Satin Chrome 5" Center Pull	M36
		Printed Laminate Woodgrain	K12	Satin Nickel Dog Bone Pull	M38
		Prism Insert	L13	Satin Nickel Knob	M37
		Pull-out Table Kit	E53	Satin Nickel Tapered Bow Pull	M37
				Satina Insert	L15
		Q		Scoop Top Drawer	C34
		Quarter Round Molding	M21	Scribe Molding	M21
				Shadow Insert	L13
		R		Shaped Molding	M22
		Raleigh	L21	Shelf Clips	N4
		Range Base	E17	Shelf Kits	K13
		Range Base 27" Deep	E17	Shelf Support Bracket	M5
		Ravenna Insert	L26	Shoe Molding	M22
		Recessed Toe Kick	C35	Showcase Mullion	L21
		Recessed Toe Kick Peninsula	C35	Silk Insert	L17
		Reduce Depth & Change Height	C22	Simplicity Knob	M48
		Reduced Depth	C20	Simplicity Pull	M48
		Refrigerator End Panel w/Stile	F34	Sink Base Angle	E15
		Refrigerator Tall Cabinet	F26	Sink Base Blind Corner	E14
		Replacement Deluxe Rollout Trays for BDDC Cabinet	E50	Sink Base Door Storage Unit or Kit	E58
		Replacement Runners for Toe Kick Drawer	N2	Sink Base Drawer	E12
		Replacement Shelving w/Adjustable Shelf Clips	K15	Sink Base Multi-Storage Cabinet	E11
		Replacement Shelving—Base	K17	Sink Base Multi-Storage Shelf Kit	E53
		Replacement Shelving—Vanity	K18	Sink Base Plastic Bag Door Storage Unit or Kit	E58
		Replacement Shelving—Walls	K16	Sink Base Shallow Deluxe Roll-out Tray-Field Installation	E50
		Replacement Spice Bottle	D61	Sink Base U-Shaped Deluxe Roll-out Tray-Field Installation	E50
		Replacement Wastebasket	E48, H8	Sink Base w/Roll-Out Trays	E10
		Reverse-A-Shelf Kit	D62	Sink Base w/Roll-Out Trays and Utensil Tray	E10
		Ribbon Twist Molding	M21	Sink Base Wastebasket	E11
		Roll-out Tray Divided Kit Field Installation	K20	Sink Base—Clipped and Fluted Clipped Corners	E11
		Roll-Out Tray Organizer	E62	Sink Front	E14
		Roll-Out Tray Organizer w/Canisters and Roll-Out Tray Organizer w/Tall Canisters	E61	Sink Front Angle	E15
		Roman Spindles	M35	Sink Front Corner 90°	E15
		Rope Molding	M21	Sliding Bread Box Lid	E53
		Rosette	M27	Sliding Towel Bar	E62
		Rosette Base Fluted Column	E66	Smithwick Knob	M52
		Rosette Base Fluted Filler	E64	Smithwick Pull	M52
		Rosette Base Fluted Filler Overlay	E64	Soffit Crown Molding	M22
		Rosette Corbel	M29	Solid Stock	M22
		Rosette Desk Fluted Column	H12	Solid Wood Base End Open Shelf 24" Deep	E34
		Rosette Desk Fluted Filler	H10		

P

Paint	N11
Palisades Insert	L9
Palladia	L20
Pantry Storage	F13
Paper Towel Holder	D58
Pearl Beaded Knob	M45
Pearl Beaded Pull	M45
Pedestal Drawer	E45
Pegged Drawer Organizer	E58
Peninsula Base Angle Cabinet	E32
Peninsula Base Blind Corner	E24
Peninsula Base Blind Corner—27" Wide	E25
Peninsula Base Double Door	E4
Peninsula Base Full-Height Double Door	E5
Peninsula Base Full-Height Double Door 12" Deep	E6
Peninsula Base Full-Height Single Door	E5
Peninsula Base Full-Height Single Door 12" Deep	E5
Peninsula Base Full-Height Single Door w/Tray Divider	5
Peninsula Base Single Door	E4
Peninsula Easy Reach	E31
Peninsula Easy Reach Wood Super Susan	E31
Peninsula Wall Angle	D21
Peninsula Wall Angle Wood Lazy Susan	D22
Peninsula Wall Blind Corner	D14
Peninsula Wall Double Door	D10
Peninsula Wall Easy Reach	D22
Peninsula Wall Hood Classic	D35
Peninsula Wall Hood Classic Chimney	D37
Peninsula Wall Hood Classic Chimney Flat Panel ValanceD38	
Peninsula Wall Hood Classic Chimney Raised Panel Valance	D39
Peninsula Wall Hood Matching	D36
Peninsula Wall Single Door	D9
Penrose Insert	L9
Permaset Bumpers	N6
Pewter Domed Ring Knob	M40
Pewter Ringed Pull	M40
Plain Capital Base Fluted Column	E66
Plain Capital Base Fluted Filler	E64
Plain Capital Desk Fluted Column	H12
Plain Capital Desk Fluted Filler	H10
Plain Capital Sterling Base Column	E66
Plain Capital Sterling Vanity Column	G67

ITEM	PAGE	ITEM	PAGE	ITEM	PAGE
Solid Wood Peninsula Base End Open Shelf 12" Deep	E34	Tiered Pan and Lid Storage Pull-out	E43	Universal Access Peninsula Solid Wood Base End Open Shelf	J6
Solid Wood Wall End Open Shelf	D25	Tiered Pan and Lid Storage Pull-out Kit	E48	Universal Access Plumbing Skirt	J4
Specialty Panels	K11	Tiered Storage Shelf	D62	Universal Access Single Oven Cabinet w/3" Stiles	J7
Spice Caddy	E57	Timeless Onlay	M28	Universal Access Sink Base	J4
Spice Drawer Cabinet	D55	Toe Kick	E69, F36, G72, H14, I13	Universal Access Sink Collar	J4
Spice Drawer Cabinet Replacement Hardware	M36	Toe Kick Drawer	C36	Universal Access Sink Front	J4
Spice Drawer Insert or Kit	E57	Toe Kick Furniture Corner	M34	Universal Access Solid Wood Base End Open Shelf	J6
Spice Open Storage Shelf Only	D61	Top Wide Rail	C27	Universal Access Tall Filler	J8
Spice Open Storage with Bottles	D61	Touch-Up Kit	N13	Universal Access Utility Cabinets 12" Deep	J7
Spice Rack Kit	D60	Touch-Up Pen	N14	Universal Access Utility Cabinets 24" Deep	J7
Spindles	M35	Traditional Casing	M24	Universal Custom Appliance Panel-Frame Only	K3
Split Decorative Posts	M34	Traditional Light Rail	M24	Universal Molding	M25
Split Spindles	M35	Traditional Mullion	L22	Utensil Drawer Organizer - Angled - Field Install Kit	E56
Square Desk End Panel	H12	Traditional Wood Edge	M24	Utensil Tray or Kit	E54
Square Wood Knob	M39	Traditional Wood Tops	I6	Utility Cabinets 12" Deep	F1
Stack Molding	M22	Transition Molding	M24	Utility Cabinets 24" Deep	F2
Stain Kit	N12	Transitional Corbel	M30	Utility Cabinets 60 1/2" High 12" Deep	F4
Stainless Cutlery Divider	E56	Tray Dividers-Base	E51	Utility Cabinets 60 1/2" High 24" Deep	F5
Stainless Round Leg	M31	Tray Dividers-Tall	F29	Utility Cleaning Cabinet 24" Deep	F5
Stainless Utensil Tray or Kit	E54	Tray Dividers-Wall	D59	Utility Cleaning Cabinet 24" Deep - Broom Hook Replacement	F5
Starter Molding	M23	Tri View Mirror	G37	Utility Combination	F9
Starter Trim	M23	Trunk Cup Pull	M49	Utility Combination-Shelves Left	F8
Stem Glass Holder	D58	Trunk Knob	M49	Utility Deluxe Dovetailed Roll-out Tray	F10
Sterling Base Column	E66	Trunk Pull	M39	Utility Extended Bottom 12" Deep	F3
Sterling Corbel	M30	Tulip Leg	M33	Utility Extended Bottom 24" Deep	F4
Sterling Crown Molding	M23	U		Utility Message Center	F13
Sterling Leg	M32	U-Shaped Deluxe Roll-out Tray	G2	Utility Stack 60 1/2" High Deluxe Dovetailed Roll-out Tray	F11
Sterling Light Rail	M23	Under Cabinet Door Storage	D52	Utility Stack 84"-96" High Deluxe Dovetailed Roll-out Tray	F12
Sterling Starter Molding	M23	Under Cabinet Panels	D62	Utility Stack Cabinets 12" Deep	F6
Sterling Tall Column	F32	Under Cabinet Shelf	D57	Utility Stack Cabinets 24" Deep	F7
Sterling Vanity Column	G66	Under Cabinet Shelf 18" H	D57	Utility Stack Cabinets 60 1/2" High 12" Deep	F8
Sterling Wall Column	D67	Under Cabinet Shelf Corner	D57	Utility Stack Cabinets 60 1/2" High 24" Deep	F8
Stranded Copper Wire	M2	Universal Access Base Blind Corner w/Pull-out	J5	V	
Styx Insert	L27	Universal Access Base Cabinet w/2 Deluxe Rollout Trays	J3	V-Groove Paneling	K10
Sub Zero End Panel	F35	Universal Access Base Cabinet w/Deluxe Rollout Trays	J2	Valance Contemporary	M8
T		Universal Access Base Dishwasher Cabinet	J5	Valance Corbel	M7
Tailored Knob	M38	Universal Access Base End Corner	J6	Valance Cove	M5
Tailored Pull	M40	Universal Access Base End Panel w/Stile	J8	Valance Crown	M6
Tall Acanthus Capital	M27	Universal Access Base End Panel w/Stile	J8	Valance Flat Panel	M8
Tall Column	F31	Universal Access Base Filler	J8	Valance Furniture	M6
Tall Corner Angle	F16	Universal Access Base Microwave	J5	Valance Raised Panel	M8
Tall Corner Angle Stack	F16	Universal Access Base Pantry Pull-out	J2	Valance Shaker	M7
Tall End Angle	F17	Universal Access Base Pantry Pull-out Table	J6	Valance Straight	M8
Tall End Angle Stack	F17	Universal Access Base Pull-out Tray	J6	Valance Traditional	M6
Tall End Panel	F33	Universal Access Base Single Door w/Tray Divider	J2	Vanity Adjustable Drawer Dividers	G58
Tall End Panel w/Stile	F34	Universal Access Base Skin	J8	Vanity Base Blind Corner	G20
Tall File Cabinet 24" Deep	H6	Universal Access Base Three Drawer w/Cutting Center	J3	Vanity Base Double Door	G18
Tall Filler	F29	Universal Access Base Three Drawer w/Cutting Center	J3	Vanity Base Drawer	G22
Tall Filler Overlay	F30	Universal Access Base Two Drawer	J3	Vanity Base Four Drawer	G23
Tall Fluted Column	F31	Universal Access Base Wastebasket	J7	Vanity Base Hamper Top Mount	G25
Tall Fluted Filler	F30	Universal Access Lazy Susan	J6	Vanity Base Pull-out	G24
Tall Pantry Pull-out	F15	Universal Access Lazy Susan End Panel	J9	Vanity Base Pull-out Appliance	G25
Tall Pantry Pull-out 60 1/2" H	F15tt	Universal Access Matching Toe Kick	J9		
Tapered Leg	M32	Universal Access Peninsula Base Blind Corner w/Pull-out	J5		
Tide Bar Pull	M51	Universal Access Peninsula Base Blind Corner w/Pull-out	J5		

ITEM	PAGE	ITEM	PAGE	ITEM	PAGE
Vanity Base Single Door	G18	Vanity Mirror Angle Cabinet	G36	Wall Angle Chrome Lazy Susan	D16
Vanity Base Top Mount Wastebasket–Double	G25	Vanity Mirror Cabinet	G36	Wall Angle Chrome Lazy Susan Stack	D17
Vanity Box	G66	Vanity Mirror Cabinet Storage	G37	Wall Angle Stack	D17
Vanity Cabinet Full-Height Door	G17	Vanity Shallow Wood Tiered Drawer Storage	G58	Wall Angle Wood Lazy Susan	D16
Vanity Column	G66	Vanity Sink Base Angle–Double Door	G10	Wall Angle Wood Lazy Susan Stack	D17
Vanity Combination Drawer (2)	G11	Vanity Sink Base Angle–Full-Height	G9	Wall Appliance Garage	D51
Vanity Combination Drawer (3)	G12	Vanity Sink Base Angle–Single Door	G9	Wall Blind Corner 23 1/2"–42" H	D12
Vanity Combination Drawer (6)	G14	Vanity Sink Base Bottom Drawer	G8	Wall Blind Corner 48" and 54" H	D12
Vanity Combination Drawer (8)	G15	Vanity Sink Base Double Door	G3	Wall Blind Corner Stack	D13
Vanity Combination Drawer w/Decorative Accents (2)	G47	Vanity Sink Base Double Door w/Decorative Accents	G44	Wall Box	D66
Vanity Combination Drawer w/Decorative Accents (3)	G48	Vanity Sink Base Four Door	G4	Wall Cabinet w/Spice Rack	D54
Vanity Combination Drawer w/Decorative Accents (6)	G49	Vanity Sink Base Four Drawer	G5	Wall China Display	D27
Vanity Combination Drawer w/Decorative Accents (8)	G50	Vanity Sink Base Four Drawer w/Decorative Accents	G46	Wall Column	D66
Vanity Combination Drawer w/Decorative Accents–Full False Front (4)	G51	Vanity Sink Base Single Door	G3	Wall Compact Microwave Shelf	D32
Vanity Combination Drawer w/Decorative Accents–Full False Front (6)	G52	Vanity Sink Base Single Door w/Decorative Accents	G43	Wall Compact Microwave w/Solid Wood Shelf	D33
Vanity Combination Drawer–Full False Front (4)	G13	Vanity Sink Base Three Door	G4	Wall Corner Angle	D23
Vanity Combination Drawer–Full False Front (6)	G13	Vanity Sink Base Three Drawer	G5	Wall Corner Angle Stack	D23
Vanity Decorative Accent End Panel	G56	Vanity Sink Base Three Drawer w/Decorative Accents	G45	Wall Double Door 12"–42 H	D3
Vanity Decorative Accent Filler	G57	Vanity Sink Base Two Drawer	G4	Wall Double Door 48" and 54" H	D4
Vanity Decorative Skirt w/Decorative Accents	G55	Vanity Sink Base–Fluted Clipped Corners	G4	Wall Easy Reach	D19
Vanity Drawer Base Angle Four Drawer	G19	Vanity Sink Front	G8	Wall End Angle	D24
Vanity Drawer Base Angle Three Drawer	G19	Vanity Sink Rack Kit	G60	Wall End Corner	D24
Vanity Drawer Divider	G59	Vanity Utility Cabinet 18" Deep	G30	Wall End Panel	D68
Vanity Drawer Storage Kit	G59	Vanity Utility Cabinet 18" Deep w/Deluxe Dovetailed Roll-out Tray	G32	Wall End Panel w/Stile	D68
Vanity Easy Reach	G21	Vanity Utility Cabinet 21" Deep	G31	Wall Filler	D62
Vanity Easy Reach Wood Lazy Susan	G22	Vanity Utility Cabinet 21" Deep w/Deluxe Dovetailed Roll-out Tray	G33	Wall Filler Overlay	D63
Vanity End Panel	G67	Vanity Vertical Lift Door Wall Cabinet	G29	Wall Filler Pull-out	D56
Vanity End Panel w/Stile	G68	Vanity Wall Boutique	G34	Wall Fluted Column	D66
Vanity Filler	G61	Vanity Wall Cabinet	G34	Wall Fluted Filler	D64
Vanity Filler Overlay	G62	Vanity Wall Cabinet w/Decorative Accents	G53	Wall Hood Box	D39
Vanity Filler Pull-out	G24	Vanity Wall–Recessed Mount	G35	Wall Hood Box Valance	D40
Vanity Filler Pull-out Replacement Trays	G60	Vanity Wood Tiered Drawer Storage	G58	Wall Hood Box w/Columns & Wall Hood Box w/Columns w/Extra Large Cove Top Plate	D41
Vanity Fluted Column	G66	Vauxhall Insert	L27	Wall Hood Cabinet Run - Rosette Corbel	D45
Vanity Fluted Filler	G64	Venetian Bronze Rustic Knob	M42	Wall Hood Cabinet Run - Shelf w/Classic Crown Molding	D47
Vanity Furniture Filler	G64	Venetian Bronze Victorian Leaf Pull	M42	Wall Hood Cabinet Run - Shelf w/Extra Large Cove Molding	D47
Vanity Hamper Base	G25	Vetro Brushed Aluminum	L6	Wall Hood Cabinet Run - Sterling Corbel	D46
Vanity Hamper Linen Cabinet 88 1/2" H	G26	Victorian Insert	L9	Wall Hood Cabinet Run - Transitional Corbel	D46
Vanity Hamper Linen Cabinet Top Mount 88 1/2" H	G26	Vinyl Edgebanding	N8	Wall Hood Classic	D35
Vanity Inside Corner Angle Filler	G63	Vista Mullion	L23	Wall Hood Classic Chimney	D36
Vanity Inside Corner Angle Filler Overlay	G63	Void All Doors and Drawer Fronts	C33	Wall Hood Classic Chimney Flat Panel Valance	D37
Vanity Knee Drawer	G23	Void All Drawer Boxes	C34	Wall Hood Classic Chimney Raised Panel Valance	D38
Vanity Linen Cabinet 48" H	G29	Void Doors Only	C33	Wall Hood Component Package (A, B & C)–Recirculating	D48
Vanity Linen Cabinet 88 1/2" H	G26	Void Toe Kick	C35	Wall Hood Component Package (D, E & F)–Vented	D48
Vanity Linen Cabinet Deluxe Roll-out Tray (2)	G27	Void Top Drawer Box	C33	Wall Hood Component Package (G, H & I)–Vented	D48
Vanity Linen Cabinet Deluxe Roll-out Tray (3)	G27			Wall Hood Component Package (J, K & L)–Vented	D48
Vanity Linen Cabinet Four Drawer	G28	W		Wall Hood Component Package (O, P, Q)–Vented	D49
Vanity Linen Cabinet Three Drawer	G27	Wall - Offset Diagonal Wine Storage Cabinet	D29	Wall Hood Component Package (R, S, T)–Vented	D49
Vanity Linen Cabinet Top Mount Wastebasket–Double 88 1/2" H	G26	Wall Angle 12" Deep	D15	Wall Hood Cove	D43
Vanity Linen Short Three Drawer	G28	Wall Angle 15" Deep	D16	Wall Hood Mantle Cabinet	D44
Vanity Linen Short Two Drawer	G28	Wall Angle Appliance Garage	D18	Wall Hood Mantle Column	D45
Vanity Linen Towel Storage	G27	Wall Angle Appliance Garage Chrome Lazy Susan	D18	Wall Hood Mantle Column–Sterling	D45
		Wall Angle Appliance Garage Wood Lazy Susan	D19		

ITEM	PAGE	ITEM	PAGE	ITEM	PAGE
Wall Hood Mantle Matching	D44	Wire Tray Divider Kit	E51		
Wall Hood Matching	D35	Wood Lazy Susan	E25		
Wall Hood Matching Straight Valance	D42	Wood Lazy Susan Angle	E26		
Wall Hung Vanity	G1	Wood Lazy Susan Kit for Wall Angle Cabinets	D60		
Wall Hung Vanity Combination Drawer	G2	Wood Sink Base	E9		
Wall Hung Vanity Drawer	G3	Wood Sink Base 27" Deep	E9		
Wall Hung Vanity Full-Height Door	G1	Wood Tall Door Storage Kit	F29		
Wall Inside Corner Angle Filler	D63	Wood Tiered Drawer Storage Combination or Kit	E57		
Wall Inside Corner Angle Filler Overlay	D63	Wood Tiered Drawer Storage or Kit	E57		
Wall Lateral Bi-Fold Cabinet	D53	Wood Veneer Construction	C12		
Wall Message Center	D24	Wood Veneer Paneling	K9		
Wall Microwave Box	D34				
Wall Microwave Cabinet	D30				
Wall Microwave Cabinet w/Drawer	D33				
Wall Microwave Cabinet w/Drawer– Extended Opening	D34				
Wall Microwave Cabinet–Extended Opening	D31				
Wall Microwave Shelf	D34				
Wall Microwave Shelf Cabinet	D32				
Wall Microwave w/Solid Wood Shelf	D32				
Wall Multi-Storage Pantry	D54				
Wall Open Cabinet	D26				
Wall Pantry Pull-out	D54				
Wall Pantry Pull-out Stack	D54				
Wall Refrigerator 24" Deep	D5				
Wall Refrigerator Top Hinge 24" Deep	D7				
Wall Reverse-A-Shelf	D55				
Wall Single Door 12"-42" H	D1				
Wall Single Door 48" and 54" H	D2				
Wall Stack Cabinet 48", 51" and 54" H	D8				
Wall Top Hinge Cabinet 12" Deep	D6				
Wall Top Wide Rail	C27				
Wall Wine Hutch	D28				
Wall Wine Rack Cabinet	D55				
Wastebasket Drawer Partition	C34				
Wastebasket Lid	E48, H8				
Waterton Knob	M51				
Waterton Pull	M51				
Whisper Touch™ Angle Restrictor Clip	N1				
Whisper Touch™ Base Pantry Pull-Out Runners	N2				
Whisper Touch™ Deluxe Dovetailed Roll-Out Tray Drawer Runners	N3				
Whisper Touch™ Deluxe Dovetailed Roll-Out Tray Mounting Block Kit	N1				
Whisper Touch™ Drawer Clips	N3				
Whisper Touch™ Drawer Runners	N1				
Whisper Touch™ Drawer Runners–Two Drawer Cabinets	N2				
Whisper Touch™ Hinges–1/2" Overlay	N7				
Whisper Touch™ Hinges–Face Mount	N7				
Whisper Touch™ Hinges–Full Overlay	N7				
Whisper Touch™ Vanity Base Pull-Out Runners	N2				
Wide Dentil Molding	M25				
Wide Scribe Molding	M25				
Wine Shelf	D59				
Wine Storage Cabinet	D29				
Wintersday Insert	L18				
Wire Stem Glass Holder	D58				

Y

Yorkshire Insert

Notes

Door Styles



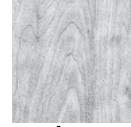
Alder



Cherry



Hickory



Maple



Oak

Wood Species & Characteristics

Alder is softer than other hardwood species with a fine grain pattern. In its raw state, Alder's color can range from pale pink–brown to tan. Rustic Alder likely includes some combination of rustic characteristics such as open and closed knots, burls, worm holes, mineral streaks and sound cracks reflecting the inherent beauty of the wood. These characteristics are expected and preferred as they occur naturally in the material. Of the natural characteristics, open and closed knots are the most common in the species.

Cherry is a rich multi-colored hardwood, often used in fine furniture. In its raw state, cherry has pinkish-brown hues with occasional shades of white, green, pink or grey. It may also contain small knots, pin holes and cherry fissures. A cherry fissure is a small crack that occurs naturally in the wood; it will **not** get bigger over time. Natural or light stains accent the color variations and characteristics in cherry, while dark stains soften its complexity. All cherry wood naturally darkens or “mellows” with age.

Crafted Hardwood Veneer is made from an engineered hardwood veneer to emulate the look of real Quartersawn Cherry, Maple or Oak. This material is less susceptible to expansion and contraction and offers a more consistent color and grain pattern.

EverCore® is a mechanically compressed wood fiber material that reacts less to environmental conditions than other hardwood materials. This material is less susceptible to expansion and contractions that can cause joints to separate showing hairline cracks in painted product. It also provides a more consistent and smooth surface, eliminating the appearance of naturally occurring wood characteristics such as grain patterns, knots or mineral streaks. When EverCore® is selected, the entire door including stiles, rails, and center panel, will be made from this material.

Hickory is a strong, open-grained wood that is known for its flowing grain pattern and dramatic variation in color. Hickory often contains random pecks, burls and mineral streaks. A single hickory door might vary from light to deep brown when finished in light or natural stains. Darker stains will mildly tone these color variations, but these very characteristics make each hickory kitchen unique.

High-Gloss Foils feature a smooth, glossy surface for a contemporary look. The High-Gloss foil is applied to medium-density fiberboard (MDF) using a roll bonding process. The doors have a coordinating gloss edge banding applied with a special process to minimize the seam between the face and edge of the door. Door and drawer front backs are matching in color with a standard sheen melamine. Cabinet face frames are painted solid hardwood to coordinate with the color of the doors and drawer fronts in the standard sheen. Cabinet boxes have a standard Matching Interior Standard Construction (MIV) that brings the entire cabinet together. While great care has been taken to match the face frame to the doors and drawer fronts, texture, sheen and color variations can be expected. We recommend ordering specialty panels for High-Gloss foil ends as the standard end panels will be standard paint. Prolonged exposure to tobacco smoke will discolor High-Gloss finishes, and this side effect is **not** covered under warranty.

Thermofoil doors feature a silky-smooth surface providing a uniform look from door to door. Thermofoil material is applied to medium-density fiberboard (MDF) using an intense heat and pressure-bonding process. The cabinetry face frame features solid hardwood finished to match the Thermofoil doors and drawer fronts. While great care has been taken to match the face frame to the doors and drawer fronts, texture and color variations can be expected. Prolonged exposure to tobacco smoke will discolor thermofoil finishes, and this side effect is **not** covered under warranty.

Maple is a strong wood that is primarily off-white in its raw state. However, maple sometimes contains light hues of yellow-brown and pink as well as light tan or reddish-tinged streaks that darken with stain. Typically straight-grained, maple can be wavy or even curly. Hard maple offers more uniformity than other wood types, making it ideal for living spaces that feature a clean, streamlined appearance.

Oak is a strong, open-grained wood that ranges in color from white to yellow to reddish brown. Oak is sometimes streaked with green, yellow or black mineral deposits.

Quartersawn refers to the method of cutting natural wood. Lumber is cut through the rings at close to a 90 degree angle, creating a tighter, straighter and more consistent grain pattern. Finishes may appear slightly darker on quartersawn material. Face frame and end panels are supplied as plain-sawn material unless stated otherwise per cabinet.

Rustic doors likely include some combination of open knots, wormholes, dramatic color contrast, and mineral streaks reflecting the inherent beauty of the wood. These characteristics are expected and preferred as they occur naturally in the material; no one characteristic (i.e. open knots) is a defining trait of Rustic door styles. **Must** order matching end panels for rustic finished ends.

Wood-Grain Foil doors are made out of vinyl foil, which features an embossed surface providing the appearance of exotic wood character. The foil is wrapped around medium-density fiberboard (MDF) using adhesives to ensure a strong bond. Edges are covered with a matching vinyl edgebanding for a clean finished look. The cabinetry face frame features solid hardwood finished to compliment the Thermofoil doors and drawer fronts. While great care has been taken to match the face frame to the doors and drawer fronts, texture and color variations can be expected. Prolonged exposure to tobacco smoke will discolor thermofoil finishes, and this side effect is **not** covered under warranty.

Door Styles by Price Column

Col	Door Styles	Code
A	Ganon EverCore® Arch-Half	AC3D9
	Ganon EverCore® Square-Half	AC2D9
	Ganon Hickory Arch-Half	AC3H9
	Ganon Hickory Square-Half	AC2H9
	Ganon Oak Arch-Half	AC3O9
	Ganon Oak Square-Half	AC2O9
	Harmond Oak	AC4O9
B	Ganon Maple Arch-Half	AC3M9
	Ganon Maple Square-Half	AC2M9
	Ganon Rustic Alder Square-Half	AC2A9
	Glencoe White	SWS9
	Harmond Maple	AC4M9
	Martel EverCore®-Half	AE8D9
	Martel Hickory-Half	AE8H9
C	Martel Oak-Half	AE8O9
	Atticus Maple	WI9
	Atticus Oak	AC5O9
	Fox Court Hickory Arch-Half	AB8H9
	Fox Court Hickory Square-Half	AB7H9
	Fox Court Oak Arch-Half	AB8O9
	Fox Court Oak Square-Half	AB7O9
D	Winterport Arch White	EWR9
	Winterport White	EW59
	Atticus Hickory	AC5H9
	Fox Court Maple Arch-Half	AB8M9
	Fox Court Maple Square-Half	AB7M9
	Ganon Cherry Arch-Half	2GCR9
	Ganon Cherry Square-Half	2GCS9
E	Ganon EverCore® Arch-Full	AD0D9
	Ganon EverCore® Square-Full	AC9D9
	Harmond Cherry	AC4C9
	Ladon Cannon Grey	AH2L9
	Ladon Dove White	AH2W9
	Martel Maple-Half	AE8M9
	Martel Rustic Alder-Half	AE8A9
F	Saline	SHD9
	Capri	WP9
	Carlin Cannon Grey	AH3L9
	Carlin Dove White	AH3W9
	Fox Court Cherry Arch-Half	AB8C9
	Fox Court Cherry Square-Half	AB7C9
	Fox Court Hickory Arch-Full	AC0H9
G	Fox Court Hickory Square-Full	AB9H9
	Fox Court Oak Arch-Full	AC0O9
	Fox Court Oak Square-Full	AB9O9
	Ganon Hickory Arch-Full	AD0H9
	Ganon Hickory Square-Full	AC9H9
	Ganon Oak Arch-Full	AD0O9
	Ganon Oak Square-Full	AC9O9
H	Levan Maple	AJ4M9
	Martel Cherry-Half	AE8C9
	Martel EverCore®-Full	MPD9
	Martel Hickory-Full	AE9H9
	Martel Oak-Full	AE9O9
	Sylvan EverCore®	AC8D9
	Sylvan Oak	AC8O9
I	Fallon Oak	AH7O9
	Ganon Maple Arch-Full	AD0M9
	Ganon Maple Square-Full	AC9M9
	Ganon Rustic Alder Square-Full	AC9A9
	Levan Cherry	AJ4C9
	Rockwell Maple	AH5M9
	Sylvan Hickory	AC8H9
J	Townley EverCore® Arch-Half	TWAD9
	Townley EverCore® Square-Half	TWSD9
	Townley Hickory Arch-Half	TWAH9
	Townley Hickory Square-Half	TWSH9
	Townley Oak Arch-Half	TWAO9
	Townley Oak Square-Half	TWAO9
	Townley Oak Square-Full	TWAO9
K	Townley Oak Square-Full	TWAO9
	Townley Oak Square-Full	TWAO9
	Townley Oak Square-Full	TWAO9
	Townley Oak Square-Full	TWAO9
	Townley Oak Square-Full	TWAO9
	Townley Oak Square-Full	TWAO9
	Townley Oak Square-Full	TWAO9
L	Townley Oak Square-Full	TWAO9
	Townley Oak Square-Full	TWAO9
	Townley Oak Square-Full	TWAO9
	Townley Oak Square-Full	TWAO9
	Townley Oak Square-Full	TWAO9
	Townley Oak Square-Full	TWAO9
	Townley Oak Square-Full	TWAO9

Col	Door Styles	Code
M	Townley Oak Square-Half	TWSO9
	Burton Hickory	BWH9
	Burton Oak	SMG9
	Fallon Maple	AH7M9
	Fox Court Maple Arch-Full	AC0M9
	Fox Court Maple Square-Full	AB9M9
	Ganon Cherry Arch-Full	AD0C9
N	Ganon Cherry Square-Full	AC9C9
	Hincley Cannon Grey	AH4L9
	Hincley Dove White	AH4W9
	Martel Maple-Full	MPM9
	Martel Rustic Alder-Full	MPA9
	Maxum	AG7L9
	Rockwell Cherry	AH5C9
O	Savona	ND9
	Sawyer Maple	AH6M9
	Sylvan Maple	SNM9
	Sylvan Rustic Alder	SNA9
	Townley Maple Arch-Half	TWAM9
	Townley Maple Square-Half	TWSM9
	Townley Rustic Alder Square-Half	TWSA9
P	Turner Quartersawn Oak	AJ0O9
	Epic EverCore®	MLD9
	Fairlane EverCore® Arch-Full	PWD9
	Fairlane EverCore® Square-Full	MTD9
	Fairlane Hickory Arch-Full	PWH9
	Fairlane Hickory Square-Full	MTH9
	Fairlane Oak Arch-Full	PWO9
Q	Fairlane Oak Square-Full	MTO9
	Fallon Cherry	AH7C9
	Burton EverCore®	BWDD9
	Fairlane Maple Arch-Full	PWM9
	Fairlane Maple Square-Full	MTM9
	Fairlane Rustic Alder Square-Full	MTA9
	Fox Court Cherry Arch-Full	AC0C9
R	Fox Court Cherry Square-Full	AB9C9
	Martel Cherry-Full	LY9
	Montresano EverCore®	DRHD9
	Sawyer Cherry	AH6C9
	Sylvan Cherry	SNC9
	Townley Cherry Arch-Half	TWAC9
	Townley Cherry Square-Half	TWSC9
S	Turner Maple	AJ0M9
	Turner Rustic Alder	AJ0A9
	Bristow Crafted Oak	AH9O9
	Cimmaron Oak	WLO9
	Cimmaron Rustic Alder	WLA9
	Coleson Maple	AC1M9
	Epic Maple	MLM9
T	Hurley Maple Square	AA6M9
	Jarvis Maple Square	AB5M9
	Knoxville EverCore®	PKD9
	Mesa	MRO9
	Montresano Oak Square	AB2O9
	Bristow Crafted Maple	AH9M9
	Burton Maple	BWM9
U	Cimmaron Rustic Hickory	DAH9
	Coleson Cherry	AC1C9
	Montresano Maple	DRHM9
	Montresano Rustic Alder	DRHA9
	Turner Cherry	AJ0C9
	Cimmaron Maple	WLM9
	Epic Cherry	AW9
V	Fairlane Cherry Arch-Full	PWC9
	Fairlane Cherry Square-Full	MTC9
	Hurley Cherry Square	AA6C9
	Jarvis Cherry Square	AB5C9
	Knoxville Maple Square	PKM9
	Knoxville Maple Square	PKM9
	Knoxville Maple Square	PKM9

Col	Door Styles	Code	
M	Bristow Crafted Cherry	AH9C9	
	Burton Cherry	BWC9	
	Cimmaron Cherry	WLCC9	
	Jade Maple	AJ2M9	
	Riverside Maple	AJ3M9	
	N	Knoxville Cherry Square	PKC9
		Montresano Cherry	DRHC9
Rathbun Maple		RTM9	
O		Gallina Maple	AB1M9
		Jade Cherry	AJ2C9
		Jennings Maple Square	AA5M9
		Rathbun Cherry	RTC9
	Riverside Cherry	AJ3C9	
	Temora Maple	AA0M9	
	P	Gallina Cherry Square	AB1C9
Jennings Cherry Square		AA5C9	
Temora Cherry		AA0C9	
Q		Caparo Maple	CRM9
		Lucca Maple	AB3M9
		Vega Maple Square	AA1M9
		R	Caparo Cherry
	Lucca Cherry		AB3C9
	Vega Cherry Square		AA1C9

Door Styles Alphabetically

Col	Door Styles	Code
D	Atticus Hickory	AC5H9
C	Atticus Maple	WI9
C	Atticus Oak	AC5O9
M	Bristow Crafted Cherry	AH9C9
K	Bristow Crafted Maple	AH9M9
J	Bristow Crafted Oak	AH9O9
M	Burton Cherry	BWC9
I	Burton EverCore®	BWDD9
G	Burton Hickory	BWH9
K	Burton Maple	BWM9
G	Burton Oak	SMG9
R	Caparo Cherry	CRC9
Q	Caparo Maple	CRM9
E	Capri	WP9
E	Carlin Cannon Grey	AH3L9
E	Carlin Dove White	AH3W9
M	Cimmaron Cherry	WLCC9
L	Cimmaron Maple	WLM9
J	Cimmaron Oak	WLO9
J	Cimmaron Rustic Alder	WLA9
K	Cimmaron Rustic Hickory	DAH9
K	Coleson Cherry	AC1C9
J	Coleson Maple	AC1M9
L	Epic Cherry	AW9
H	Epic EverCore®	MLD9
J	Epic Maple	MLM9
L	Fairlane Cherry Arch-Full	PWC9
L	Fairlane Cherry Square-Full	MTC9
H	Fairlane EverCore® Arch-Full	PWD9
H	Fairlane EverCore® Square-Full	MTD9
H	Fairlane Hickory Arch-Full	PWH9
H	Fairlane Hickory Square-Full	MTH9
I	Fairlane Maple Arch-Full	PWM9
I	Fairlane Maple Square-Full	MTM9
H	Fairlane Oak Arch-Full	PWO9
H	Fairlane Oak Square-Full	MTO9
I	Fairlane Rustic Alder Square-Full	MTA9
H	Fallon Cherry	AH7C9
G	Fallon Maple	AH7M9
F	Fallon Oak	AH7O9
I	Fox Court Cherry Arch-Full	AC0C9
E	Fox Court Cherry Arch-Half	AB8C9
I	Fox Court Cherry Square-Full	AB9C9
E	Fox Court Cherry Square-Half	AB7C9
E	Fox Court Hickory Arch-Full	AC0H9
C	Fox Court Hickory Arch-Half	AB8H9
E	Fox Court Hickory Square-Full	AB9H9
C	Fox Court Hickory Square-Half	AB7H9
G	Fox Court Maple Arch-Full	AC0M9
D	Fox Court Maple Arch-Half	AB8M9
G	Fox Court Maple Square-Full	AB9M9
D	Fox Court Maple Square-Half	AB7M9
E	Fox Court Oak Arch-Full	AC0O9
C	Fox Court Oak Arch-Half	AB8O9
E	Fox Court Oak Square-Full	AB9O9
C	Fox Court Oak Square-Half	AB7O9
P	Gallina Cherry	AB1C9
O	Gallina Maple	AB1M9
G	Ganon Cherry Arch-Full	AD0C9
D	Ganon Cherry Arch-Half	2GCR9
G	Ganon Cherry Square-Full	AC9C9
D	Ganon Cherry Square-Half	2GCS9
D	Ganon EverCore® Arch-Full	AD0D9
A	Ganon EverCore® Arch-Half	AC3D9
D	Ganon EverCore® Square-Full	AC9D9
A	Ganon EverCore® Square-Half	AC2D9
E	Ganon Hickory Arch-Full	AD0H9

Col	Door Styles	Code
A	Ganon Hickory Arch-Half	AC3H9
E	Ganon Hickory Square-Full	AC9H9
A	Ganon Hickory Square-Half	AC2H9
F	Ganon Maple Arch-Full	AD0M9
B	Ganon Maple Arch-Half	AC3M9
F	Ganon Maple Square-Full	AC9M9
B	Ganon Maple Square-Half	AC2M9
E	Ganon Oak Arch-Full	AD0O9
A	Ganon Oak Arch-Half	AC3O9
E	Ganon Oak Square-Full	AC9O9
A	Ganon Oak Square-Half	AC2O9
F	Ganon Rustic Alder Square-Full	AC9A9
B	Ganon Rustic Alder Square-Half	AC2A9
B	Glencoe White	SW59
D	Harmond Cherry	AC4C9
B	Harmond Maple	AC4M9
A	Harmond Oak	AC4O9
G	Hincley Cannon Grey	AH4L9
G	Hincley Dove White	AH4W9
L	Hurley Cherry Square	AA6C9
J	Hurley Maple Square	AA6M9
O	Jade Cherry	AJ2C9
M	Jade Maple	AJ2M9
L	Jarvis Cherry Square	AB5C9
J	Jarvis Maple Square	AB5M9
P	Jennings Cherry Square	AA5C9
O	Jennings Maple Square	AA5M9
N	Knoxville Cherry Square	PKC9
J	Knoxville EverCore®	PKD9
L	Knoxville Maple Square	PKM9
D	Ladon Cannon Grey	AH2L9
D	Ladon Dove White	AH2W9
F	Levan Cherry	AJ4C9
E	Levan Maple	AJ4M9
R	Lucca Cherry	AB3C9
Q	Lucca Maple	AB3M9
I	Martel Cherry-Full	LY9
E	Martel Cherry-Half	AE8C9
E	Martel EverCore®-Full	MPD9
B	Martel EverCore®-Half	AE8D9
E	Martel Hickory-Full	AE9H9
B	Martel Hickory-Half	AE8H9
G	Martel Maple-Full	MPM9
D	Martel Maple-Half	AE8M9
E	Martel Oak-Full	AE9O9
B	Martel Oak-Half	AE8O9
G	Martel Rustic Alder-Full	MPA9
D	Martel Rustic Alder-Half	AE8A9
G	Maxum	AG7L9
J	Mesa	MRO9
N	Montresano Cherry	DRHC9
I	Montresano EverCore®	DRHD9
K	Montresano Maple	DRHM9
J	Montresano Oak Square	AB2O9
K	Montresano Rustic Alder	DRHA9
O	Rathbun Cherry	RTC9
N	Rathbun Maple	RTM9
O	Riverside Cherry	AJ3C9
M	Riverside Maple	AJ3M9
G	Rockwell Cherry	AH5C9
F	Rockwell Maple	AH5M9
D	Saline	SHD9
G	Savona	ND9
I	Sawyer Cherry	AH6C9
G	Sawyer Maple	AH6M9
I	Sylvan Cherry	SNC9
E	Sylvan EverCore®	AC8D9

Col	Door Styles	Code
F	Sylvan Hickory	AC8H9
G	Sylvan Maple	SNM9
E	Sylvan Oak	AC8O9
G	Sylvan Rustic Alder	SNA9
P	Temora Cherry	AA0C9
O	Temora Maple	AA0M9
I	Townley Cherry Arch-Half	TWAC9
I	Townley Cherry Square-Half	TWSC9
F	Townley EverCore® Arch-Half	TWAD9
F	Townley EverCore® Square-Half	TWSD9
F	Townley Hickory Arch-Half	TWAH9
F	Townley Hickory Square-Half	TWSH9
G	Townley Maple Arch-Half	TWAM9
G	Townley Maple Square-Half	TWSM9
F	Townley Oak Arch-Half	TWAO9
F	Townley Oak Square-Half	TWSO9
G	Townley Rustic Alder Square-Half	TWSA9
K	Turner Cherry	AJ0C9
I	Turner Maple	AJ0M9
G	Turner Quartersawn Oak	AJ0O9
I	Turner Rustic Alder	AJ0A9
R	Vega Cherry Square	AA1C9
Q	Vega Maple Square	AA1M9
C	Winterport Arch White	EWR9
C	Winterport White	EWS9

Atticus

Full Overlay

AC5H9 Hickory

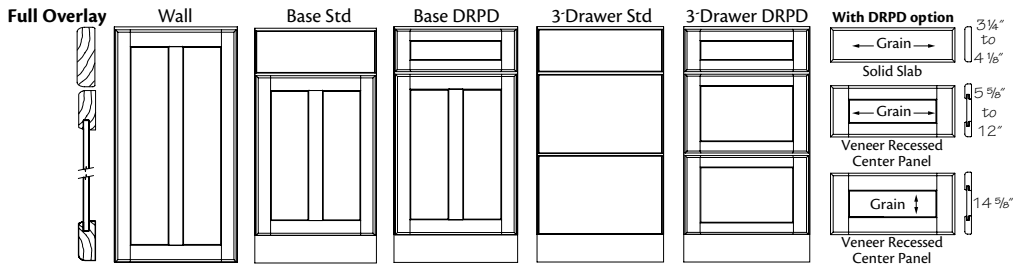
Price Column D

W19 Maple

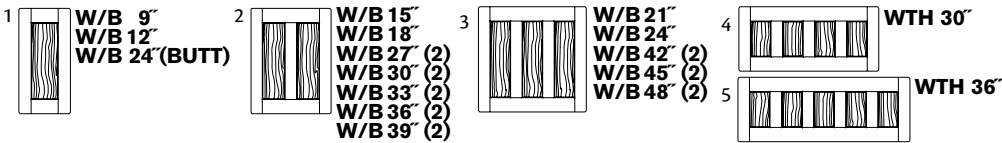
Price Column C

AC5O9 Oak

Price Column C



Door Configuration Chart



- Solid wood door frame with 2 1/4" stiles and rails
- Single or multiple side by side veneer recessed panels on wall and base doors
- Slab drawer front
- Deluxe Recessed Panel Drawer (DRPD) front available
- Concealed hinge
- Glass door options have no center divider
- Decorative hardware is required
- See Door Configuration Chart for panel arrangement

Decorative Doors & Inserts Available

Aluminum Frame Glass

- Fresco Brushed Aluminum
- Vetro Brushed Aluminum

Camed Glass

- Classic Camed Insert
- Palisades
- Penrose
- Victorian
- Yorkshire

Classic Glass

- Bistro
- Prepared for Glass
- Prism
- Shadow

Etched Glass

- Crossroads
- Lisbon
- Modern Frosted Insert
- Prairie
- Satina

Layered Glass

- Antiquity
- Mirage
- Silk
- Wintersday

Mullion Doors

- Castlegate
- Evansville
- Hewitt
- Palladia ▲
- Raleigh ▲
- Showcase Mullion
- Traditional Mullion

Specialty Inserts

- Chalkboard Insert

Textured Glass

- Cascade
- Dolace
- Modern Textured Insert
- Moire
- Ravenna
- Styx
- Vauxhall

▲ Only available in Maple door styles

Atticus Finishes

- ❖ Available as Standard
- Premium Upcharge

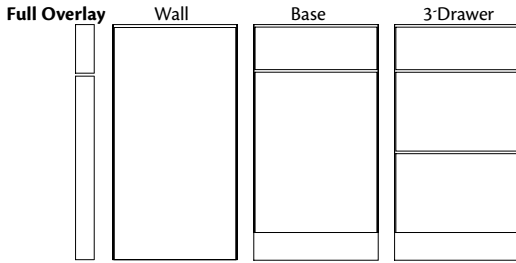
		Atticus Hickory	Atticus Maple	Atticus Oak
		AC5H9	W19	AC5O9
Autumn Blush	AB	❖		
Autumn Blush Suede	C21		●	
Autumn Blush W/Onyx Glaze	F81		●	
Autumn Blush W/Onyx Glaze Suede	F82		●	
Baltic	D78	❖		
Baltic Suede	D80		●	
Bonsai	E69		●	
Bonsai Suede	E70		●	
Burmese	E67		●	
Burmese Suede	E68		●	
Cannon Grey	D81		❖	
Cannon Grey Suede	D83		●	
Canvas	CV		●	
Canvas Suede	D37		●	
Canvas W/Cinder Highlight	E87		●	
Canvas W/Cinder Highlight Suede	E88		●	
Canvas W/Cocoa Highlight Suede	E90		●	
Canvas W/Cocoa Highlight	E89		●	
Chestnut	CN	❖		
Chestnut Suede	C23		●	
Chocolate	CC	❖		
Chocolate Suede	D87		●	
Cognac	CO	❖	❖	❖
Cognac Suede	D85	●	●	●
ColorMatch	CC1		●	
ColorMatch Suede	CC2		●	
Dove White	DW		●	
Dove White Suede	D40		●	
Dove White W/Cinder Highlight	E93		●	
Dove White W/Cinder Highlight Suede	E94		●	
Dove White W/Cocoa Highlight	E95		●	
Dove White W/Cocoa Highlight Suede	E96		●	
Fawn	FN			❖
Fawn Suede	D51			●
Ginger	C88	❖	❖	❖
Ginger Suede	C19	●	●	●
Ginger W/Sable Glaze	F91	●	●	●
Ginger W/Sable Glaze Suede	F92	●	●	●
Greyloft	B65		●	
Greyloft Suede	D41		●	
Greyloft W/Sable Highlight	E97		●	
Greyloft W/Sable Highlight Suede	E98		●	
Honey Spice	HS	❖	❖	❖
Honey Spice Suede	D88	●	●	●
Husk	B82	❖		❖
Husk Suede	C13	●	●	●
Kaffé	KA	❖	❖	❖
Kaffé Suede	C27	●	●	●
Lagoon	E63		●	
Lagoon Suede	E64		●	
Linen	D90		●	
Linen Suede	D93		●	
Linen W/Cinder Highlight	E99		●	
Linen W/Cinder Highlight Suede	F00		●	
Linen W/Cocoa Highlight	F01		●	
Linen W/Cocoa Highlight Suede	F02		●	
Midnight	B69		●	
Midnight Suede	D42		●	
Midnight W/Onyx Highlight	F03		●	
Midnight W/Onyx Highlight Suede	F04		●	

		Atticus Hickory	Atticus Maple	Atticus Oak
		AC5H9	W19	AC5O9
Molasses	E58	❖	❖	❖
Molasses Suede	E59	●	●	●
Moonshine	D98		●	
Moonshine Suede	E02		●	
Moonshine W/Cinder Highlight	F05		●	
Moonshine W/Cinder Highlight Suede	F06		●	
Moonshine W/Cocoa Highlight	F07		●	
Moonshine W/Cocoa Highlight Suede	F08		●	
Natural	NA	❖	❖	❖
Natural Suede	D89	●	●	●
Onyx	A21		●	●
Onyx Suede	D44		●	●
Pebble Grey	B83		●	
Pebble Grey Suede	D45		●	
Pebble Grey W/Cinder Highlight	F09		●	
Pebble Grey W/Cocoa Highlight Suede	F10		●	
Peppercorn	PC		❖	❖
Peppercorn Suede	D53		●	●
Praline	PR	❖	❖	❖
Praline Suede	C78	●	●	●
Saddle	B81	❖	❖	❖
Saddle Suede	C12	●	●	●
Slate	B64	❖	❖	❖
Slate Suede	C72	●	●	●
Sunset	SU	❖		
Sunset Suede	D49	●		
Surfside	E65		●	
Surfside Suede	E66		●	
Unfinished	UF	❖	❖	❖

Bristow

Full Overlay

- AH9C9** Crafted Cherry Price Column M
- AH9M9** Crafted Maple Price Column K
- AH9O9** Crafted Oak Price Column J



- Quartersawn veneer slab on wall and base doors
- Quartersawn veneer slab drawer fronts
- Wood grain orientation on door and drawer fronts is vertical; **not** book matched between pieces
- Concealed hinge
- Decorative hardware is required
- **Note:** Frame and End Panels of cabinets are supplied in plain-sawn corresponding material. For a more uniform look, consider using a decorative door to conceal exposed cabinet ends
- **Note:** Crafted doors are made from an engineered hardwood veneer to emulate the look of real Quartersawn Cherry, Maple or Oak. This material offers a more consistent color and grain pattern

Decorative Doors & Inserts Available

Aluminum Frame Glass

- Fresco Brushed Aluminum
- Vetro Brushed Aluminum

Camed Glass

- Classic Camed Insert
- Palisades
- Penrose
- Victorian
- Yorkshire

Classic Glass

- Bistro
- Prepared for Glass
- Prism
- Shadow

Etched Glass

- Crossroads
- Lisbon
- Modern Frosted Insert
- Prairie
- Satina

Layered Glass

- Antiquity
- Mirage
- Silk
- Wintersday

Specialty Inserts

- Chalkboard Insert

Textured Glass

- Cascade
- Dolace
- Modern Textured Insert
- Moire
- Ravenna
- Styx
- Vauxhall

Bristow Finishes

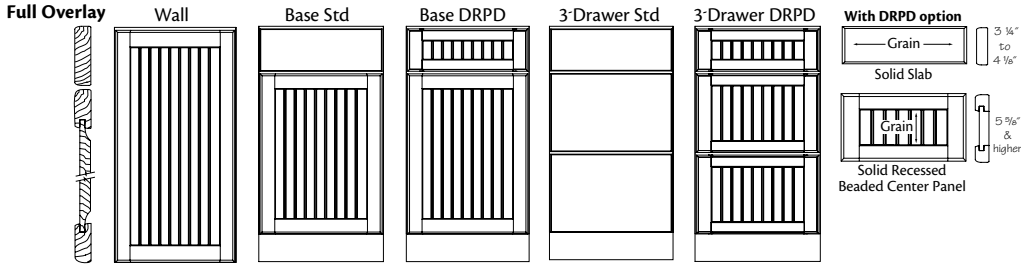
- ❖ Available as Standard
- Premium Upcharge

		Bristow Crafted Cherry	Bristow Crafted Maple	Bristow Crafted Oak
		AH9C9	AH9M9	AH9O9
Autumn Blush	AB	❖		❖
Autumn Blush Suede	C21	●		●
Baltic	D78	❖		❖
Baltic Suede	D80	●		●
Cannon Grey	D81	❖		❖
Cannon Grey Suede	D83	●		●
Chestnut	CN		❖	
Chestnut Suede	C23		●	
Chocolate	CC	❖	❖	
Chocolate Suede	D87	●	●	
Cognac	CO	❖	❖	❖
Cognac Suede	D85	●	●	●
Fawn	FN			❖
Fawn Suede	D51			●
Ginger	C88	❖	❖	❖
Ginger Suede	C19	●	●	●
Honey Spice	HS	❖	❖	❖
Honey Spice Suede	D88	●	●	●
Husk	B82	❖		❖
Husk Suede	C13	●		●
Kaffé	KA	❖	❖	❖
Kaffé Suede	C27	●	●	●
Molasses	E58	❖	❖	❖
Molasses Suede	E59	●	●	●
Natural	NA	❖	❖	❖
Natural Suede	D89	●	●	●
Peppercorn	PC	❖	❖	❖
Peppercorn Suede	D53	●	●	●
Praline	PR	❖	❖	❖
Praline Suede	C78	●	●	●
Saddle	B81	❖	❖	❖
Saddle Suede	C12	●	●	●
Slate	B64	❖	❖	❖
Slate Suede	C72	●	●	●
Sunset	SU	❖		
Sunset Suede	D49	●		
Unfinished	UF	❖	❖	❖

Burton

Full Overlay

BWC9	Cherry	Price Column M
BWDD9	EverCore®	Price Column I
BWH9	Hickory	Price Column G
BWM9	Maple	Price Column K
SMG9	Oak	Price Column G



- Solid wood door frame with 2 1/4" stiles and rails, except EverCore®, which will be mechanically compressed wood fiber
- Square solid beaded recessed panel on wall and base doors, except EverCore®, which will be mechanically compressed wood fiber
- Grooves are 1 1/2" on center
- Slab drawer front
- Deluxe Recessed Panel Drawer (DRPD) front available
- Concealed hinge
- Decorative hardware is required

Decorative Doors & Inserts Available

Aluminum Frame Glass

- Fresco Brushed Aluminum
- Vetro Brushed Aluminum

Camed Glass

- Classic Camed Insert
- Palisades
- Penrose
- Victorian
- Yorkshire

Classic Glass

- Bistro
- Prepared for Glass
- Prism
- Shadow

Etched Glass

- Crossroads
- Lisbon
- Modern Frosted Insert
- Prairie
- Satina

Layered Glass

- Antiquity
- Mirage
- Silk
- Wintersday

Mullion Doors

- Castlegate★
- Evansville★
- Hewitt★
- Palladia▲★
- Raleigh▲★
- Showcase Mullion★
- Traditional Mullion★

Specialty Inserts

- Chalkboard Insert

Textured Glass

- Cascade
- Dolace
- Modern Textured Insert
- Moire
- Ravenna
- Styx
- Vauxhall

- ▲ Only available in Cherry & Maple door styles
- ★ Not available in Evercore® door styles

Burton Finishes

- ❖ Available as Standard
- Premium Upcharge

		BW/C9	BW/DD9	BW/H9	BW/M9	SMG9
	Burton Cherry					
	Burton EverCore®					
	Burton Hickory					
	Burton Maple					
	Burton Oak					
Aged Concrete	E06				●	
Aged Papyrus	E05				●	
Aged River Rock	E07				●	
Autumn Blush	AB	❖				❖
Autumn Blush Suede	C21	●				●
Autumn Blush W/Onyx Glaze	F81	●				●
Autumn Blush W/Onyx Glaze Suede	F82	●				●
Baltic	D78	❖				❖
Baltic Suede	D80	●				●
Bonsai	E69		●			
Bonsai Suede	E70		●			
Burmese	E67		●			
Burmese Suede	E68		●			
Cannon Grey	D81	❖				❖
Cannon Grey Suede	D83	●				●
Canvas	CV		●			
Canvas Suede	D37		●			
Canvas W/Cinder Highlight	E87			●		
Canvas W/Cinder Highlight Suede	E88			●		
Canvas W/Cocoa Highlight Suede	E90			●		
Canvas W/Cocoa Highlight	E89			●		
Chestnut	CN			❖		
Chestnut Suede	C23			●		
Chocolate	CC	❖				❖
Chocolate Suede	D87	●				●
Chocolate W/Ebony Glaze	F87	●				
Chocolate W/Ebony Glaze Suede	F88	●				
Cognac	CO	❖	❖	❖	❖	❖
Cognac Suede	D85	●	●	●	●	●
ColorMatch	CC1		●			
ColorMatch Suede	CC2		●			
Distressed Autumn Blush	C22	●				●
Distressed Baltic	D79	●				●
Distressed Cannon Grey	D82	●				●
Distressed Chestnut	C24			●		
Distressed Chocolate	D86	●				●
Distressed Cognac	D84	●	●	●	●	●
Distressed Fawn	D52					●
Distressed Ginger	C20	●	●	●	●	●
Distressed Husk	C15	●	●	●	●	●
Distressed Kaffé	C28	●	●	●	●	●
Distressed Molasses	E60	●	●	●	●	●
Distressed Peppercorn	C86	●		●	●	●
Distressed Praline	C79	●		●	●	●
Distressed Saddle	C14	●	●	●	●	●
Distressed Slate	C73	●	●	●	●	●
Distressed Sunset	D50	●	●			
Dove White	DW		●			●
Dove White Suede	D40		●			●
Dove White W/Cinder Highlight	E93			●		
Dove White W/Cinder Highlight Suede	E94			●		
Dove White W/Cocoa Highlight	E95			●		
Dove White W/Cocoa Highlight Suede	E96			●		
Fawn	FN					❖
Fawn Suede	D51					●
Ginger	C88	❖	❖	❖	❖	❖
Ginger Suede	C19	●	●	●	●	●
Ginger W/Sable Glaze	F91	●	●	●	●	●
Ginger W/Sable Glaze Suede	F92	●	●	●	●	●
Greyloft	B65		●			
Greyloft Suede	D41		●			
Greyloft W/Sable Highlight	E97			●		
Greyloft W/Sable Highlight Suede	E98			●		
Honey Spice	HS	❖	❖	❖	❖	❖
Honey Spice Suede	D88	●	●	●	●	●

		BW/C9	BW/DD9	BW/H9	BW/M9	SMG9
	Burton Cherry					
	Burton EverCore®					
	Burton Hickory					
	Burton Maple					
	Burton Oak					
Husk	B82	❖		❖		❖
Husk Suede	C13	●		●		●
Kaffé	KA	❖		❖		❖
Kaffé Suede	C27	●		●		●
Lagoon	E63		●			●
Lagoon Suede	E64		●			●
Linen	D90		●			●
Linen Suede	D93		●			●
Linen W/Cinder Highlight	E99					●
Linen W/Cinder Highlight Suede	F00					●
Linen W/Cocoa Highlight	F01					●
Linen W/Cocoa Highlight Suede	F02					●
Midnight	B69		●			●
Midnight Suede	D42		●			●
Midnight W/Onyx Highlight	F03					●
Midnight W/Onyx Highlight Suede	F04					●
Molasses	E58	❖		❖	❖	❖
Molasses Suede	E59	●		●	●	●
Moonshine	D98		●			●
Moonshine Suede	E02		●			●
Moonshine W/Cinder Highlight	F05					●
Moonshine W/Cinder Highlight Suede	F06					●
Moonshine W/Cocoa Highlight	F07					●
Moonshine W/Cocoa Highlight Suede	F08					●
Natural	NA	❖		❖	❖	❖
Natural Suede	D89	●		●	●	●
Onyx	A21		●			●
Onyx Suede	D44		●			●
Pebble Grey	B83		●			●
Pebble Grey Suede	D45		●			●
Pebble Grey W/Cocoa Highlight	F09					●
Pebble Grey W/Cocoa Highlight Suede	F10					●
Peppercorn	PC	❖		❖	❖	❖
Peppercorn Suede	D53	●		●	●	●
Praline	PR	❖		❖	❖	❖
Praline Suede	C78	●		●	●	●
Saddle	B81	❖		❖	❖	❖
Saddle Suede	C12	●		●	●	●
Slate	B64	❖		❖	❖	❖
Slate Suede	C72	●		●	●	●
Sunset	SU	❖		❖		
Sunset Suede	D49	●		●		
Surfside	E65		●			●
Surfside Suede	E66		●			●
Unfinished	UF	❖		❖	❖	❖
Vintage Canvas	VC	●				
Vintage Canvas Suede	E42	●				
Vintage Dove White	VD	●				
Vintage Dove White Suede	E44	●				
Vintage Greyloft	B67	●				
Vintage Greyloft Suede	E45	●				

Burton Finishes continued

❖ Available as Standard

● Premium Upcharge

		Burton Cherry	Burton EverCore®	Burton Hickory	Burton Maple	Burton Oak
Vintage Linen	D91	●				
Vintage Linen Suede	E46	●				
Vintage Midnight	B71	●				
Vintage Midnight Suede	E47	●				
Vintage Moonshine	D99	●				
Vintage Moonshine Suede	E48	●				
Vintage Onyx	VO	●				
Vintage Onyx Suede	E50	●				
Vintage Pebble Grey	B86	●				
Vintage Pebble Grey Suede	E51	●				

Notes

Caparo

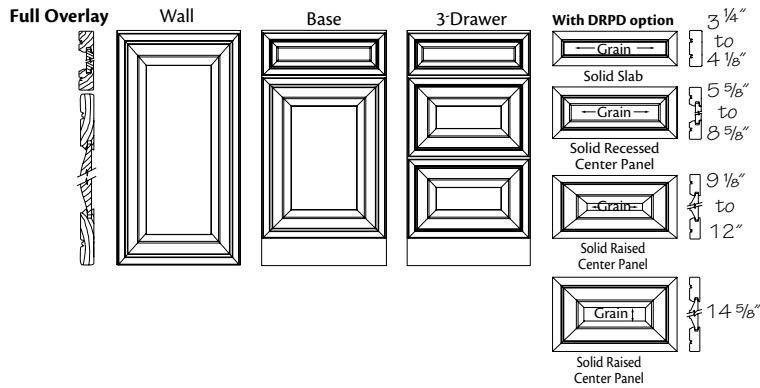
Full Overlay

CRC9 Cherry

Price Column R

CRM9 Maple

Price Column Q



- Solid wood mitered door frame with 3" stiles and rails
- Square solid raised panel on wall and base doors
- Drawer front varies depending on height
- Concealed hinge
- Decorative hardware is required

Decorative Doors & Inserts Available

Aluminum Frame Glass

- Fresco Brushed Aluminum
- Vetro Brushed Aluminum

Camed Glass

- Classic Camed Insert
- Palisades
- Penrose
- Victorian
- Yorkshire

Classic Glass

- Bistro
- Prepared for Glass
- Prism
- Shadow

Etched Glass

- Crossroads
- Lisbon
- Modern Frosted Insert
- Prairie
- Satina

Layered Glass

- Antiquity
- Mirage
- Silk
- Wintersday

Mullion Doors

- Castlegate
- Evansville
- Hewitt
- Showcase Mullion
- Traditional Mullion

Specialty Inserts

- Chalkboard Insert

Textured Glass

- Cascade
- Dolace
- Modern Textured Insert
- Moire
- Ravenna
- Styx
- Vauxhall

Caparo Finishes

- ❖ Available as Standard
- Premium Upcharge

		Caparo Cherry	Caparo Maple
		CRC9	CRM9
Aged Concrete	E06	●	●
Aged Papyrus	E05	●	●
Aged River Rock	E07	●	●
Autumn Blush	AB	❖	
Autumn Blush Suede	C21	●	●
Autumn Blush W/Onyx Glaze	F81	●	●
Autumn Blush W/Onyx Glaze Suede	F82	●	●
Baltic	D78	❖	
Baltic Suede	D80	●	●
Bonsai	E69	●	●
Bonsai Suede	E70	●	●
Burmese	E67	●	●
Burmese Suede	E68	●	●
Cannon Grey	D81	❖	
Cannon Grey Suede	D83	●	●
Canvas	CV	●	●
Canvas Suede	D37	●	●
Canvas W/Cinder Highlight	E87	●	●
Canvas W/Cinder Highlight Suede	E88	●	●
Canvas W/Cocoa Highlight Suede	E90	●	●
Canvas W/Cocoa Highlight	E89	●	●
Chestnut	CN	❖	
Chestnut Suede	C23	●	●
Chocolate	CC	❖	❖
Chocolate Suede	D87	●	●
Chocolate W/Ebony Glaze	F87	●	●
Chocolate W/Ebony Glaze Suede	F88	●	●
Cognac	CO	❖	❖
Cognac Suede	D85	●	●
ColorMatch	CC1	●	●
ColorMatch Suede	CC2	●	●
Distressed Autumn Blush	C22	●	●
Distressed Baltic	D79	●	●
Distressed Cannon Grey	D82	●	●
Distressed Chestnut	C24	●	●
Distressed Chocolate	D86	●	●
Distressed Cognac	D84	●	●
Distressed Ginger	C20	●	●
Distressed Husk	C15	●	●
Distressed Kaffé	C28	●	●
Distressed Molasses	E60	●	●
Distressed Peppercorn	C86	●	●
Distressed Praline	C79	●	●
Distressed Saddle	C14	●	●
Distressed Slate	C73	●	●
Distressed Sunset	D50	●	●
Dove White	DW	●	●
Dove White Suede	D40	●	●
Dove White W/Cinder Highlight	E93	●	●
Dove White W/Cinder Highlight Suede	E94	●	●
Dove White W/Cocoa Highlight	E95	●	●
Dove White W/Cocoa Highlight Suede	E96	●	●
Ginger	C88	❖	❖
Ginger Suede	C19	●	●
Ginger W/Sable Glaze	F91	●	●
Ginger W/Sable Glaze Suede	F92	●	●
Greyloft	B65	●	●
Greyloft Suede	D41	●	●
Greyloft W/Sable Highlight	E97	●	●
Greyloft W/Sable Highlight Suede	E98	●	●
Honey Spice	H5	❖	❖
Honey Spice Suede	D88	●	●
Husk	B82	❖	
Husk Suede	C13	●	●
Kaffé	KA	❖	❖
Kaffé Suede	C27	●	●
Lagoon	E63	●	●
Lagoon Suede	E64	●	●
Linen	D90	●	●
Linen Suede	D93	●	●

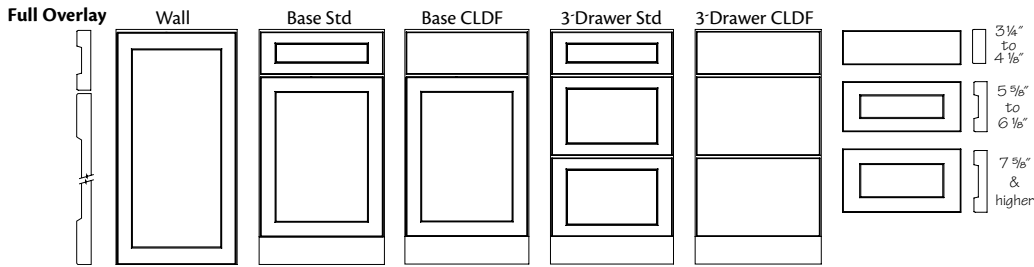
		Caparo Cherry	Caparo Maple
		CRC9	CRM9
Linen W/Cinder Highlight	E99	●	●
Linen W/Cinder Highlight Suede	F00	●	●
Linen W/Cocoa Highlight	F01	●	●
Linen W/Cocoa Highlight Suede	F02	●	●
Midnight	B69	●	●
Midnight Suede	D42	●	●
Midnight W/Onyx Highlight	F03	●	●
Midnight W/Onyx Highlight Suede	F04	●	●
Molasses	E58	❖	❖
Molasses Suede	E59	●	●
Moonshine	D98	●	●
Moonshine Suede	E02	●	●
Moonshine W/Cinder Highlight	F05	●	●
Moonshine W/Cinder Highlight Suede	F06	●	●
Moonshine W/Cocoa Highlight	F07	●	●
Moonshine W/Cocoa Highlight Suede	F08	●	●
Natural	NA	❖	❖
Natural Suede	D89	●	●
Onyx	A21	●	●
Onyx Suede	D44	●	●
Pebble Grey	B83	●	●
Pebble Grey Suede	D45	●	●
Pebble Grey W/Cocoa Highlight	F09	●	●
Pebble Grey W/Cocoa Highlight Suede	F10	●	●
Peppercorn	PC	❖	❖
Peppercorn Suede	D53	●	●
Praline	PR	❖	❖
Praline Suede	C78	●	●
Saddle	B81	❖	❖
Saddle Suede	C12	●	●
Slate	B64	❖	❖
Slate Suede	C72	●	●
Sunset	SU	❖	
Sunset Suede	D49	●	●
Surfside	E65	●	●
Surfside Suede	E66	●	●
Unfinished	UF	❖	❖
Vintage Canvas	VC	●	●
Vintage Canvas Suede	E42	●	●
Vintage Dove White	VD	●	●
Vintage Dove White Suede	E44	●	●
Vintage Greyloft	B67	●	●
Vintage Greyloft Suede	E45	●	●
Vintage Linen	D91	●	●
Vintage Linen Suede	E46	●	●
Vintage Midnight	B71	●	●
Vintage Midnight Suede	E47	●	●
Vintage Moonshine	D99	●	●
Vintage Moonshine Suede	E48	●	●
Vintage Onyx	VO	●	●
Vintage Onyx Suede	E50	●	●
Vintage Pebble Grey	B86	●	●
Vintage Pebble Grey Suede	E51	●	●

Capri

Full Overlay

WP9 White Thermofoil

Price Column E



- Thermofoil on 3/4" thick MDF substrate
- Square recessed center panel on wall and base doors
- Drawer front varies depending on height
- Classic Drawer Front (CLDF) option available
- Concealed hinge
- Decorative hardware is required
- **Note:** When CLDF option is applied, all drawer fronts will be slab



Remember, all Foil and Thermofoil door styles will have a natural birch interior and a white laminate exterior. Also, the underside of the cabinets are natural birch. To cover the underside, order an Under Cabinet Panel.

Decorative Doors & Inserts Available

Aluminum Frame Glass

- Fresco Brushed Aluminum
- Vetro Brushed Aluminum

Camed Glass

- Classic Camed Insert
- Palisades
- Penrose
- Victorian
- Yorkshire

Classic Glass

- Bistro
- Prepared for Glass
- Prism
- Shadow

Etched Glass

- Crossroads
- Lisbon
- Modern Frosted Insert
- Prairie
- Satina

Layered Glass

- Antiquity
- Mirage
- Silk
- Wintersday

Mullion Doors

- Traditional Mullion

Specialty Inserts

- Chalkboard Insert

Textured Glass

- Cascade
- Dolace
- Modern Textured Insert
- Moire
- Ravenna
- Styx
- Vauxhall

Capri Finishes

- ❖ Available as Standard
- Premium Upcharge

White WH

❖	Capri White
●	WP9

Carlin

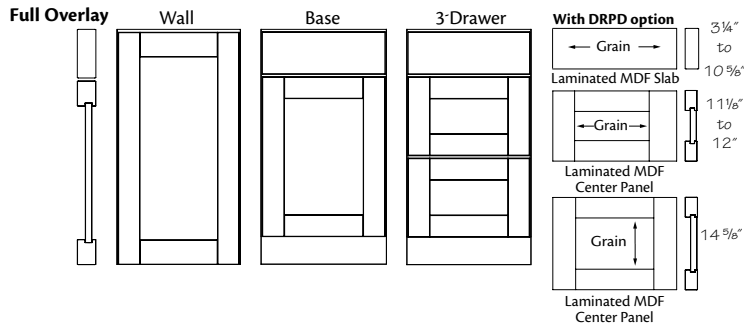
Full Overlay

AH3L9 Cannon Grey Wood-Grain Foil

Price Column E

AH3W9 Dove White Wood-Grain Foil

Price Column E



- Thermofoil door with 3 1/8" stiles and rails
- Recessed center panel door with vertical grain orientation
- Five-piece mortise and tenon door design with foil wrapped lineal pieces and banded edges
- Doors on 6" wide cabinets will be a slab design with vertical grain orientation
- Drawer fronts 3 1/4" to 10 5/8" will be slab
- Drawer fronts 11 1/8" to 14 5/8" will be five-piece
- Concealed hinge
- Decorative hardware is required
- **Note:** Cabinet box and most accessories will have a coordinating smooth white finish for Dove White Wood-Grain Foil or an oak texture finish for Cannon Grey Wood-Grain Foil door styles; select accessories will be offered in matching foil material (refer to individual items for specific details)

Decorative Doors & Inserts Available

Aluminum Frame Glass

- Fresco Brushed Aluminum
- Vetro Brushed Aluminum

Camed Glass

- Classic Camed Insert
- Palisades
- Penrose
- Victorian
- Yorkshire

Classic Glass

- Bistro
- Prepared for Glass
- Prism
- Shadow

Etched Glass

- Crossroads
- Lisbon
- Modern Frosted Insert
- Prairie
- Satina

Layered Glass

- Antiquity
- Mirage
- Silk
- Wintersday

Specialty Inserts

- Chalkboard Insert

Textured Glass

- Cascade
- Dolace
- Modern Textured Insert
- Moire
- Ravenna
- Styx
- Vauxhall

Carlin Finishes

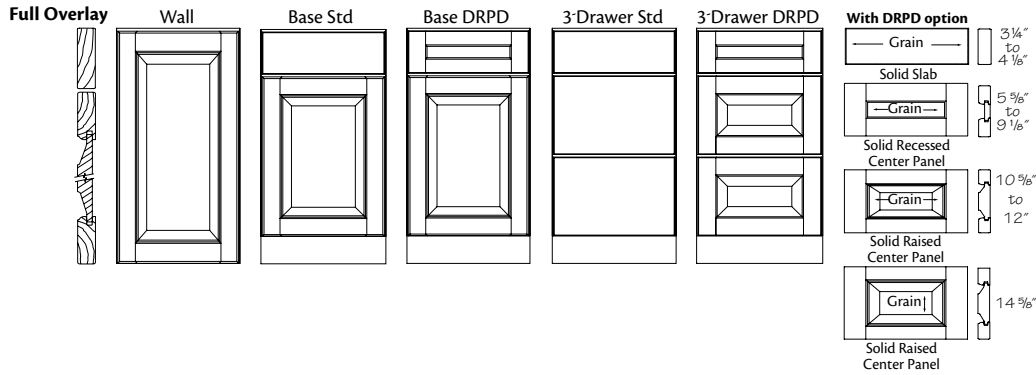
- ❖ Available as Standard
- Premium Upcharge

		Carlin Cannon Grey	AH3L9
		Carlin Dove White	AH3W9
Cannon Grey Wood Grain	D810	❖	
Dove White Wood Grain	WH	❖	

Cimmaron

Full Overlay

WLCC9	Cherry	Price Column M
WLM9	Maple	Price Column L
WLO9	Oak	Price Column J
WLA9	Rustic Alder	Price Column J
DAH9	Rustic Hickory	Price Column K



- Solid wood door frame with 2 3/4" stiles and rails
- Square solid raised panel on wall and base doors
- Slab drawer front
- Deluxe Raised Panel Drawer (DRPD) front available
- Concealed hinge
- Decorative hardware is required
- **Note:** Rustic door styles feature knotty or character wood. It contains character marks such as heartwood, worm holes and mineral streaks of varying size. Components of these doors are chosen at random, with the appearance of each individual door varying widely from very rustic to relatively clear and unmarked

Decorative Doors & Inserts Available

Aluminum Frame Glass

- Fresco Brushed Aluminum
- Vetro Brushed Aluminum

Camed Glass

- Classic Camed Insert
- Palisades
- Penrose
- Victorian
- Yorkshire

Classic Glass

- Bistro
- Prepared for Glass
- Prism
- Shadow

Etched Glass

- Crossroads
- Lisbon
- Modern Frosted Insert
- Prairie
- Satina

Layered Glass

- Antiquity
- Mirage
- Silk
- Wintersday

Mullion Doors

- Castlegate ▲
- Evansville ▲
- Hewitt ▲
- Showcase Mullion ▲
- Traditional Mullion ▲

Specialty Inserts

- Chalkboard Insert

Textured Glass

- Cascade
- Dolace
- Modern Textured Insert
- Moire
- Ravenna
- Styx
- Vauxhall

▲ Only available in Cherry, Maple & Oak door styles

Cimmaron Finishes

- ❖ Available as Standard
- Premium Upcharge

		WLCC9	WLM9	WLO9	WLA9	DAH9
		Cimmaron Cherry	Cimmaron Maple	Cimmaron Oak	Cimmaron Rustic Alder	Cimmaron Rustic Hickory
Aged Concrete	E06	●				
Aged Papyrus	E05	●				
Aged River Rock	E07	●				
Autumn Blush	AB	❖		❖	❖	
Autumn Blush Suede	C21	●		●	●	
Autumn Blush W/Onyx Glaze	F81	●		●	●	
Autumn Blush W/Onyx Glaze Suede	F82	●		●	●	
Baltic	D78	❖		❖	❖	
Baltic Suede	D80	●		●	●	
Bonsai	E69		●			
Bonsai Suede	E70		●			
Burmese	E67		●			
Burmese Suede	E68		●			
Cannon Grey	D81	❖		❖	❖	
Cannon Grey Suede	D83	●		●	●	
Canvas	CV		●			
Canvas Suede	D37		●			
Canvas W/Cinder Highlight	E87		●			
Canvas W/Cinder Highlight Suede	E88		●			
Canvas W/Cocoa Highlight Suede	E90		●			
Canvas W/Cocoa Highlight	E89		●			
Chestnut	CN	❖				
Chestnut Suede	C23		●			
Chocolate	CC	❖	❖		❖	
Chocolate Suede	D87	●	●		●	
Chocolate W/Ebony Glaze	F87	●			●	
Chocolate W/Ebony Glaze Suede	F88	●			●	
Cognac	CO	❖	❖	❖	❖	❖
Cognac Suede	D85	●	●	●	●	●
ColorMatch	CC1		●			
ColorMatch Suede	CC2		●			
Distressed Autumn Blush	C22	●		●	●	
Distressed Baltic	D79	●		●	●	
Distressed Cannon Grey	D82	●		●	●	
Distressed Chestnut	C24		●			
Distressed Chocolate	D86	●	●		●	
Distressed Cognac	D84	●	●	●	●	●
Distressed Fawn	D52			●		
Distressed Ginger	C20	●	●	●	●	●
Distressed Husk	C15	●	●	●	●	●
Distressed Kaffé	C28	●	●	●	●	●
Distressed Molasses	E60	●	●	●	●	●
Distressed Peppercorn	C86	●	●	●	●	●
Distressed Praline	C79	●	●	●	●	●
Distressed Saddle	C14	●	●	●	●	●
Distressed Slate	C73	●	●	●	●	●
Distressed Sunset	D50	●			●	●
Dove White	DW		●			
Dove White Suede	D40		●			
Dove White W/Cinder Highlight	E93		●			
Dove White W/Cinder Highlight Suede	E94		●			
Dove White W/Cocoa Highlight	E95		●			
Dove White W/Cocoa Highlight Suede	E96		●			
Fawn	FN			❖		
Fawn Suede	D51			●		
Ginger	C88	❖	❖	❖	❖	❖
Ginger Suede	C19	●	●	●	●	●
Ginger W/Sable Glaze	F91	●	●	●	●	●
Ginger W/Sable Glaze Suede	F92	●	●	●	●	●
Greyloft	B65		●			
Greyloft Suede	D41		●			
Greyloft W/Sable Highlight	E97		●			

		WLCC9	WLM9	WLO9	WLA9	DAH9
		Cimmaron Cherry	Cimmaron Maple	Cimmaron Oak	Cimmaron Rustic Alder	Cimmaron Rustic Hickory
Greyloft W/Sable Highlight Suede	E98		●			
Honey Spice	HS	❖	❖	❖	❖	❖
Honey Spice Suede	D88	●	●	●	●	●
Husk	B82			❖	❖	❖
Husk Suede	C13	●		●	●	●
Kaffé	KA	❖	❖	❖	❖	❖
Kaffé Suede	C27	●	●	●	●	●
Lagoon	E63		●			
Lagoon Suede	E64		●			
Linen	D90		●			
Linen Suede	D93		●			
Linen W/Cinder Highlight	E99		●			
Linen W/Cinder Highlight Suede	F00		●			
Linen W/Cocoa Highlight	F01		●			
Linen W/Cocoa Highlight Suede	F02		●			
Midnight	B69		●			
Midnight Suede	D42		●			
Midnight W/Onyx Highlight	F03		●			
Midnight W/Onyx Highlight Suede	F04		●			
Molasses	E58	❖	❖	❖	❖	❖
Molasses Suede	E59	●	●	●	●	●
Moonshine	D98		●			
Moonshine Suede	E02		●			
Moonshine W/Cinder Highlight	F05		●			
Moonshine W/Cinder Highlight Suede	F06		●			
Moonshine W/Cocoa Highlight	F07		●			
Moonshine W/Cocoa Highlight Suede	F08		●			
Natural	NA	❖	❖	❖	❖	❖
Natural Suede	D89	●	●	●	●	●
Onyx	A21		●	●		
Onyx Suede	D44		●	●		
Pebble Grey	B83		●			
Pebble Grey Suede	D45		●			
Pebble Grey W/Cocoa Highlight	F09		●			
Pebble Grey W/Cocoa Highlight Suede	F10		●			
Peppercorn	PC	❖	❖	❖	❖	❖
Peppercorn Suede	D53	●	●	●	●	●
Praline	PR	❖	❖	❖	❖	❖
Praline Suede	C78	●	●	●	●	●
Saddle	B81	❖	❖	❖	❖	❖
Saddle Suede	C12	●	●	●	●	●
Slate	B64	❖	❖	❖		❖
Slate Suede	C72	●	●	●	●	●
Sunset	SU	❖			❖	❖
Sunset Suede	D49	●			●	●
Surfside	E65		●			
Surfside Suede	E66		●			
Unfinished	UF	❖	❖	❖	❖	❖

Cimmaron Finishes continued

- ❖ Available as Standard
- Premium Upcharge

		Cimmaron Cherry	Cimmaron Maple	Cimmaron Oak	Cimmaron Rustic Alder	Cimmaron Rustic Hickory
		WLCC9	WLM9	WLO9	WLA9	DAH9
Vintage Canvas	VC	●				
Vintage Canvas Suede	E42	●				
Vintage Dove White	VD	●				
Vintage Dove White Suede	E44	●				
Vintage Greyloft	B67	●				
Vintage Greyloft Suede	E45	●				
Vintage Linen	D91	●				
Vintage Linen Suede	E46	●				
Vintage Midnight	B71	●				
Vintage Midnight Suede	E47	●				
Vintage Moonshine	D99	●				
Vintage Moonshine Suede	E48	●				
Vintage Onyx	VO	●				
Vintage Onyx Suede	E50	●				
Vintage Pebble Grey	B86	●				
Vintage Pebble Grey Suede	E51	●				

Notes

Coleson

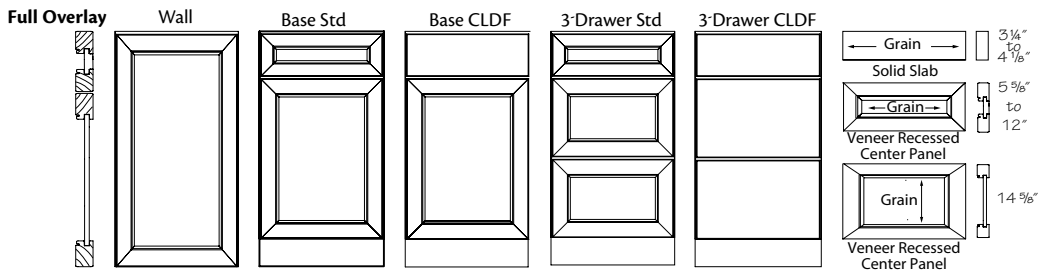
Full Overlay

AC1C9 Cherry

Price Column K

AC1M9 Maple

Price Column J



- Solid wood mitered door frame with 2 5/8" stiles and rails
- Square veneer recessed panel on wall and base doors
- Five-piece drawer front
- Classic Drawer Front (CLDF) option available
- Concealed hinge
- Decorative hardware is required
- **Note:** When CLDF option is applied, all drawer fronts will be slab

Decorative Doors & Inserts Available

Aluminum Frame Glass

- Fresco Brushed Aluminum
- Vetro Brushed Aluminum

Camed Glass

- Classic Camed Insert
- Palisades
- Penrose
- Victorian
- Yorkshire

Classic Glass

- Bistro
- Prepared for Glass
- Prism
- Shadow

Etched Glass

- Crossroads
- Lisbon
- Modern Frosted Insert
- Prairie
- Satina

Layered Glass

- Antiquity
- Mirage
- Silk
- Wintersday

Mullion Doors

- Castlegate
- Evansville
- Hewitt
- Showcase Mullion
- Traditional Mullion

Specialty Inserts

- Chalkboard Insert

Textured Glass

- Cascade
- Dolace
- Modern Textured Insert
- Moire
- Ravenna
- Styx
- Vauxhall

Coleson Finishes

- ❖ Available as Standard
- Premium Upcharge

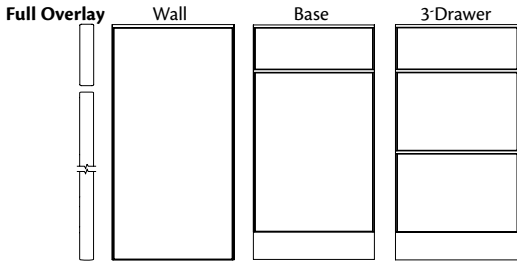
		Coleson Cherry	AC1C9	Coleson Maple	AC1M9
Autumn Blush	AB	❖			
Autumn Blush Suede	C21	●			
Autumn Blush W/Onyx Glaze	F81	●			
Autumn Blush W/Onyx Glaze Suede	F82	●			
Baltic	D78	❖			
Baltic Suede	D80	●			
Bonsai	E69	●			
Bonsai Suede	E70	●			
Burmese	E67	●			
Burmese Suede	E68	●			
Cannon Grey	D81	❖			
Cannon Grey Suede	D83	●			
Canvas	CV	●			
Canvas Suede	D37	●			
Canvas W/Cinder Highlight	E87	●			
Canvas W/Cinder Highlight Suede	E88	●			
Canvas W/Cocoa Highlight Suede	E90	●			
Canvas W/Cocoa Highlight	E89	●			
Chestnut	CN	❖			
Chestnut Suede	C23	●			
Chocolate	CC	❖	❖		
Chocolate Suede	D87	●			
Chocolate W/Ebony Glaze	F87	●			
Chocolate W/Ebony Glaze Suede	F88	●			
Cognac	CO	❖	❖		
Cognac Suede	D85	●			
ColorMatch	CC1	●			
ColorMatch Suede	CC2	●			
Dove White	DW	●			
Dove White Suede	D40	●			
Dove White W/Cinder Highlight	E93	●			
Dove White W/Cinder Highlight Suede	E94	●			
Dove White W/Cocoa Highlight	E95	●			
Dove White W/Cocoa Highlight Suede	E96	●			
Ginger	C88	❖	❖		
Ginger Suede	C19	●			
Ginger W/Sable Glaze	F91	●			
Ginger W/Sable Glaze Suede	F92	●			
Greyloft	B65	●			
Greyloft Suede	D41	●			
Greyloft W/Sable Highlight	E97	●			
Greyloft W/Sable Highlight Suede	E98	●			
Honey Spice	HS	❖	❖		
Honey Spice Suede	D88	●			
Husk	B82	❖			
Husk Suede	C13	●			
Kaffé	KA	❖	❖		
Kaffé Suede	C27	●			
Lagoon	E63	●			
Lagoon Suede	E64	●			
Linen	D90	●			
Linen Suede	D93	●			
Linen W/Cinder Highlight	E99	●			
Linen W/Cinder Highlight Suede	F00	●			
Linen W/Cocoa Highlight	F01	●			
Linen W/Cocoa Highlight Suede	F02	●			
Midnight	B69	●			
Midnight Suede	D42	●			
Midnight W/Onyx Highlight	F03	●			
Midnight W/Onyx Highlight Suede	F04	●			
Molasses	E58	❖	❖		

		Coleson Cherry	AC1C9	Coleson Maple	AC1M9
Molasses Suede	E59	●		●	
Moonshine	D98	●		●	
Moonshine Suede	E02	●		●	
Moonshine W/Cinder Highlight	F05	●		●	
Moonshine W/Cinder Highlight Suede	F06	●		●	
Moonshine W/Cocoa Highlight	F07	●		●	
Moonshine W/Cocoa Highlight Suede	F08	●		●	
Natural	NA	❖		❖	
Natural Suede	D89	●		●	
Onyx	A21	●		●	
Onyx Suede	D44	●		●	
Pebble Grey	B83	●		●	
Pebble Grey Suede	D45	●		●	
Pebble Grey W/Cocoa Highlight	F09	●		●	
Pebble Grey W/Cocoa Highlight Suede	F10	●		●	
Peppercorn	PC	❖		❖	
Peppercorn Suede	D53	●		●	
Praline	PR	❖		❖	
Praline Suede	C78	●		●	
Saddle	B81	❖		❖	
Saddle Suede	C12	●		●	
Slate	B64	❖		❖	
Slate Suede	C72	●		●	
Sunset	SU	❖		❖	
Sunset Suede	D49	●		●	
Surfside	E65	●		●	
Surfside Suede	E66	●		●	
Unfinished	UF	❖		❖	

Epic

Full Overlay

MLC9	Cherry	Price Column L
MLD9	EverCore®	Price Column H
MLM9	Maple	Price Column J



- Solid slab on wall and base doors
- Slab drawer front
- Wood grain orientation is vertical on door and horizontal on drawer front; **not** book matched between pieces
- Concealed hinge
- Decorative hardware is required

Decorative Doors & Inserts Available

Aluminum Frame Glass

- Fresco Brushed Aluminum
- Vetro Brushed Aluminum

Camed Glass

- Classic Camed Insert
- Palisades
- Penrose
- Victorian
- Yorkshire

Classic Glass

- Bistro
- Prepared for Glass
- Prism
- Shadow

Etched Glass

- Crossroads
- Lisbon
- Modern Frosted Insert
- Prairie
- Satina

Layered Glass

- Antiquity
- Mirage
- Silk
- Wintersday

Mullion Doors

- Castlegate ★
- Evansville ★
- Hewitt ★
- Palladia ★
- Raleigh ★
- Showcase Mullion ★
- Traditional Mullion ★

Specialty Inserts

- Chalkboard Insert

Textured Glass

- Cascade
- Dolace
- Modern Textured Insert
- Moire
- Ravenna
- Styx
- Vauxhall

★ **Not** available in EverCore™ door styles

Epic Finishes

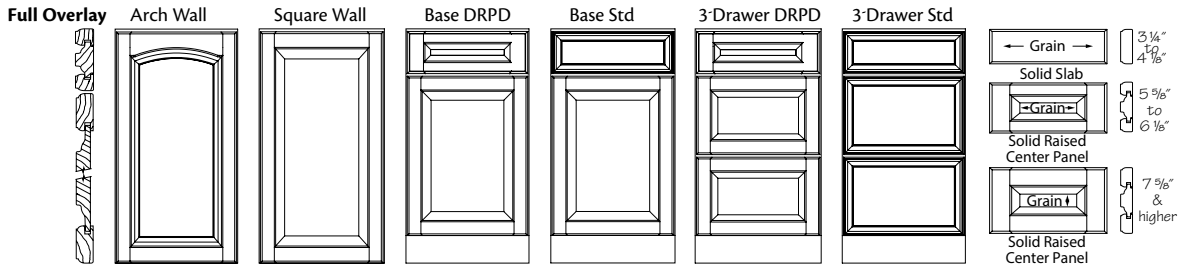
- ◆ Available as Standard
- Premium Upcharge

		MLC9	MLD9	MLM9
		Epic Cherry	Epic EverCore®	Epic Maple
Aged Concrete	E06			●
Aged Papyrus	E05			●
Aged River Rock	E07			●
Autumn Blush	AB	◆		
Autumn Blush Suede	C21	●		
Baltic	D78	◆		
Baltic Suede	D80	●		
Bonsai	E69		●	●
Bonsai Suede	E70		●	●
Burmese	E67		●	●
Burmese Suede	E68		●	●
Cannon Grey	D81	◆		
Cannon Grey Suede	D83	●		
Canvas	CV		●	●
Canvas Suede	D37		●	●
Chestnut	CN			◆
Chestnut Suede	C23			●
Chocolate	CC	◆		◆
Chocolate Suede	D87	●		●
Cognac	CO	◆		◆
Cognac Suede	D85	●		●
ColorMatch	CC1		●	●
ColorMatch Suede	CC2		●	●
Dove White	DW		●	●
Dove White Suede	D40		●	●
Ginger	C88	◆		◆
Ginger Suede	C19	●		●
Greyloft	B65		●	●
Greyloft Suede	D41		●	●
Honey Spice	HS	◆		◆
Honey Spice Suede	D88	●		●
Husk	B82	◆		
Husk Suede	C13	●		
Kaffé	KA	◆		◆
Kaffé Suede	C27	●		●
Lagoon	E63		●	●
Lagoon Suede	E64		●	●
Linen	D90		●	●
Linen Suede	D93		●	●
Midnight	B69		●	●
Midnight Suede	D42		●	●
Molasses	E58	◆		◆
Molasses Suede	E59	●		●
Moonshine	D98		●	●
Moonshine Suede	E02		●	●
Natural	NA	◆		◆
Natural Suede	D89	●		●
Onyx	A21		●	●
Onyx Suede	D44		●	●
Pebble Grey	B83		●	●
Pebble Grey Suede	D45		●	●
Peppercorn	PC	◆		◆
Peppercorn Suede	D53	●		●
Praline	PR	◆		◆
Praline Suede	C78	●		●
Saddle	B81	◆		◆
Saddle Suede	C12	●		●
Slate	B64	◆		◆
Slate Suede	C72	●		●
Sunset	SU	◆		
Sunset Suede	D49	●		
Surfside	E65		●	●
Surfside Suede	E66		●	●
Unfinished	UF	◆		◆

Fairlane

Full Overlay

PWC9	Cherry Arch	Price Column L
MTC9	Cherry Square	Price Column L
PWD9	EverCore® Arch	Price Column H
MTD9	EverCore® Square	Price Column H
PWH9	Hickory Arch	Price Column H
MTH9	Hickory Square	Price Column H
PWM9	Maple Arch	Price Column I
MTM9	Maple Square	Price Column I
PWO9	Oak Arch	Price Column H
MTO9	Oak Square	Price Column H
MTA9	Rustic Alder Square	Price Column I



- Solid wood door frame with 2 3/16" stiles and rails, except EverCore®, which will be mechanically compressed wood fiber
- Square design has solid raised panels on wall and base doors, except EverCore®, which will be mechanically compressed wood fiber
- Arch design has arched solid raised panels on wall doors only, except EverCore®, which will be mechanically compressed wood fiber; base doors will be square
- Grain direction does **not** apply to EverCore® doors
- Drawer front varies depending on height
- Concealed hinge
- Decorative Hardware is required for full overlay
- **Note:** Rustic door styles feature knotty or character wood. It contains character marks such as heartwood, worm holes and mineral streaks of varying size. Components of these doors are chosen at random, with the appearance of each individual door varying widely from very rustic to relatively clear and unmarked

Decorative Doors & Inserts Available

Aluminum Frame Glass

- Fresco Brushed Aluminum
- Vetro Brushed Aluminum

Camed Glass

- Classic Camed Insert
- Palisades
- Penrose
- Victorian
- Yorkshire

Classic Glass

- Bistro
- Prepared for Glass
- Prism ●
- Shadow

Etched Glass

- Crossroads
- Lisbon
- Modern Frosted Insert ●
- Prairie
- Satina

Layered Glass

- Antiquity
- Mirage
- Silk
- Wintersday

Mullion Doors

- Castlegate ★
- Evansville ★
- Hewitt ★
- Palladia ▲
- Raleigh ▲
- Showcase Mullion ★
- Traditional Mullion ★

Specialty Inserts

- Chalkboard Insert
- Leather Insert

Textured Glass

- Cascade
- Dolace
- Modern Textured Insert
- Moire
- Ravenna
- Styx
- Vauxhall

- **Not** available in Arch door styles
- ▲ Only available in Cherry & Maple door styles
- ★ **Not** available in EverCore® or Rustic door styles

Fairlane Finishes

- ❖ Available as Standard
- Premium Upcharge

		PWC9	MTC9	PWD9	MTD9	PWH9	MTH9	PWM9	MTM9	PWO9	MTO9	MTA9
		Fairlane Cherry Arch	Fairlane Cherry Square	Fairlane EverCore® Arch	Fairlane EverCore® Square	Fairlane Hickory Arch	Fairlane Hickory Square	Fairlane Maple Arch	Fairlane Maple Square	Fairlane Oak Arch	Fairlane Oak Square	Fairlane Rustic Alder Square
Aged Concrete	E06							●	●			
Aged Papyrus	E05							●	●			
Aged River Rock	E07							●	●			
Autumn Blush	AB	❖	❖							❖	❖	❖
Autumn Blush Suede	C21	●	●							●	●	●
Autumn Blush W/Onyx Glaze	F81	●	●							●	●	●
Autumn Blush W/Onyx Glaze Suede	F82	●	●							●	●	●
Baltic	D78	❖	❖							❖	❖	❖
Baltic Suede	D80	●	●							●	●	●
Bonsai	E69			●	●			●	●			
Bonsai Suede	E70			●	●			●	●			
Burmese	E67			●	●			●	●			
Burmese Suede	E68			●	●			●	●			
Cannon Grey	D81	❖	❖							❖	❖	❖
Cannon Grey Suede	D83	●	●							●	●	●
Canvas	CV			●	●			●	●			
Canvas Suede	D37			●	●			●	●			
Canvas W/Cinder Highlight	E87							●	●			
Canvas W/Cinder Highlight Suede	E88							●	●			
Canvas W/Cocoa Highlight Suede	E90							●	●			
Canvas W/Cocoa Highlight	E89							●	●			
Chestnut	CN							❖	❖			
Chestnut Suede	C23							●	●			
Chocolate	CC	❖	❖					❖	❖			❖
Chocolate Suede	D87	●	●					●	●			●
Chocolate W/Ebony Glaze	F87	●	●									●
Chocolate W/Ebony Glaze Suede	F88	●	●									●
Cognac	CO	❖	❖			❖	❖	❖	❖	❖	❖	❖
Cognac Suede	D85	●	●			●	●	●	●	●	●	●
ColorMatch	CC1			●	●			●	●			
ColorMatch Suede	CC2			●	●			●	●			
Distressed Autumn Blush	C22	●	●							●	●	●
Distressed Baltic	D79	●	●							●	●	●
Distressed Cannon Grey	D82	●	●							●	●	●
Distressed Chestnut	C24							●	●			
Distressed Chocolate	D86	●	●					●	●			●
Distressed Cognac	D84	●	●			●	●	●	●	●	●	●
Distressed Fawn	D52									●	●	●
Distressed Ginger	C20	●	●			●	●	●	●	●	●	●
Distressed Husk	C15	●	●			●	●	●	●	●	●	●
Distressed Kaffé	C28	●	●			●	●	●	●	●	●	●
Distressed Molasses	E60	●	●			●	●	●	●	●	●	●
Distressed Peppercorn	C86	●	●					●	●	●	●	●
Distressed Praline	C79	●	●			●	●	●	●	●	●	●
Distressed Saddle	C14	●	●			●	●	●	●	●	●	●
Distressed Slate	C73	●	●			●	●	●	●	●	●	●
Distressed Sunset	D50	●	●			●	●					●
Dove White	DW			●	●			●	●			
Dove White Suede	D40			●	●			●	●			
Dove White W/Cinder Highlight	E93							●	●			
Dove White W/Cinder Highlight Suede	E94							●	●			
Dove White W/Cocoa Highlight	E95							●	●			
Dove White W/Cocoa Highlight Suede	E96							●	●			

Fairlane Finishes continued

❖ Available as Standard
● Premium Upcharge

		PWC9	MTC9	PWD9	MTD9	PWH9	MTH9	PWM9	MTM9	PWO9	MTO9	MTA9
		Fairlane Cherry Arch	Fairlane Cherry Square	Fairlane EverCore® Arch	Fairlane EverCore® Square	Fairlane Hickory Arch	Fairlane Hickory Square	Fairlane Maple Arch	Fairlane Maple Square	Fairlane Oak Arch	Fairlane Oak Square	Fairlane Rustic Alder Square
Fawn	FN											
Fawn Suede	D51									●	●	
Ginger	C88	❖	❖			❖	❖	❖	❖	❖	❖	❖
Ginger Suede	C19	●	●			●	●	●	●	●	●	●
Ginger W/Sable Glaze	F91	●	●			●	●	●	●	●	●	●
Ginger W/Sable Glaze Suede	F92	●	●			●	●	●	●	●	●	●
Greyloft	B65			●	●			●	●			
Greyloft Suede	D41			●	●			●	●			
Greyloft W/Sable Highlight	E97							●	●			
Greyloft W/Sable Highlight Suede	E98							●	●			
Honey Spice	HS	❖	❖			❖	❖	❖	❖	❖	❖	❖
Honey Spice Suede	D88	●	●			●	●	●	●	●	●	●
Husk	B82	❖	❖			❖	❖			❖	❖	❖
Husk Suede	C13	●	●			●	●			●	●	●
Kaffé	KA	❖	❖			❖	❖	❖	❖	❖	❖	❖
Kaffé Suede	C27	●	●			●	●	●	●	●	●	●
Lagoon	E63			●	●			●	●			
Lagoon Suede	E64			●	●			●	●			
Linen	D90			●	●			●	●			
Linen Suede	D93			●	●			●	●			
Linen W/Cinder Highlight	E99							●	●			
Linen W/Cinder Highlight Suede	F00							●	●			
Linen W/Cocoa Highlight	F01							●	●			
Linen W/Cocoa Highlight Suede	F02							●	●			
Midnight	B69			●	●			●	●			
Midnight Suede	D42			●	●			●	●			
Midnight W/Onyx Highlight	F03							●	●			
Midnight W/Onyx Highlight Suede	F04							●	●			
Molasses	E58	❖	❖			❖	❖	❖	❖	❖	❖	❖
Molasses Suede	E59	●	●			●	●	●	●	●	●	●
Moonshine	D98			●	●			●	●			
Moonshine Suede	E02			●	●			●	●			
Moonshine W/Cinder Highlight	F05							●	●			
Moonshine W/Cinder Highlight Suede	F06							●	●			
Moonshine W/Cocoa Highlight	F07							●	●			
Moonshine W/Cocoa Highlight Suede	F08							●	●			
Natural	NA	❖	❖			❖	❖	❖	❖	❖	❖	❖
Natural Suede	D89	●	●			●	●	●	●	●	●	●
Onyx	A21			●	●			●	●	●	●	●
Onyx Suede	D44			●	●			●	●	●	●	●
Pebble Grey	B83			●	●			●	●			
Pebble Grey Suede	D45			●	●			●	●			
Pebble Grey W/Cocoa Highlight	F09							●	●			
Pebble Grey W/Cocoa Highlight Suede	F10							●	●			
Peppercorn	PC	❖	❖					❖	❖	❖	❖	❖
Peppercorn Suede	D53	●	●					●	●	●	●	●
Praline	PR	❖	❖			❖	❖	❖	❖	❖	❖	❖
Praline Suede	C78	●	●			●	●	●	●	●	●	●
Saddle	B81	❖	❖			❖	❖	❖	❖	❖	❖	❖
Saddle Suede	C12	●	●			●	●	●	●	●	●	●
Slate	B64	❖	❖			❖	❖	❖	❖	❖	❖	❖
Slate Suede	C72	●	●			●	●	●	●	●	●	●
Sunset	SU	❖	❖			❖	❖					❖
Sunset Suede	D49	●	●			●	●					●
Surfside	E65			●	●			●	●			
Surfside Suede	E66			●	●			●	●			
Unfinished	UF	❖	❖			❖	❖	❖	❖	❖	❖	❖
Vintage Canvas	VC	●	●									

Fairlane Finishes continued

- ❖ Available as Standard
- Premium Upcharge

		PWC9	MTC9	PWD9	MTD9	PWH9	MTH9	PWM9	MTM9	PWO9	MTO9	MTA9
		Fairlane Cherry Arch	Fairlane Cherry Square	Fairlane EverCore® Arch	Fairlane EverCore® Square	Fairlane Hickory Arch	Fairlane Hickory Square	Fairlane Maple Arch	Fairlane Maple Square	Fairlane Oak Arch	Fairlane Oak Square	Fairlane Rustic Alder Square
Vintage Canvas Suede	E42	●	●									
Vintage Dove White	VD	●	●									
Vintage Dove White Suede	E44	●	●									
Vintage Greyloft	B67	●	●									
Vintage Greyloft Suede	E45	●	●									
Vintage Linen	D91	●	●									
Vintage Linen Suede	E46	●	●									
Vintage Midnight	B71	●	●									
Vintage Midnight Suede	E47	●	●									
Vintage Moonshine	D99	●	●									
Vintage Moonshine Suede	E48	●	●									
Vintage Onyx	VO	●	●									
Vintage Onyx Suede	E50	●	●									
Vintage Pebble Grey	B86	●	●									
Vintage Pebble Grey Suede	E51	●	●									

Fallon

Full Overlay

AH7C9 Cherry

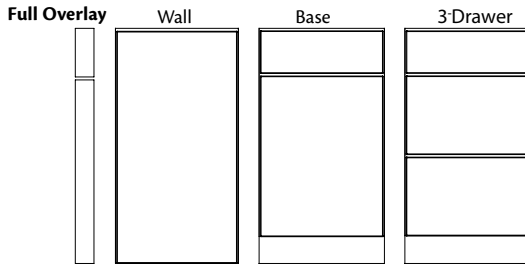
Price Column H

AH7M9 Maple

Price Column G

AH7O9 Oak

Price Column F



- Slab design has veneer slab on wall and base doors
- Slab drawer front
- Wood grain orientation is vertical on door and horizontal on drawer front; **not** book matched between pieces
- Concealed hinge
- Decorative hardware is required
- **Note:** Doors and drawer fronts are created using veneer components from various logs of the same specie and are arranged in a deliberate mismatched manner to achieve a natural solid wood effect

Decorative Doors & Inserts Available

Aluminum Frame Glass

- Fresco Brushed Aluminum
- Vetro Brushed Aluminum

Camed Glass

- Classic Camed Insert
- Palisades
- Penrose
- Victorian
- Yorkshire

Classic Glass

- Bistro
- Prepared for Glass
- Prism
- Shadow

Etched Glass

- Crossroads
- Lisbon
- Modern Frosted Insert
- Prairie
- Satina

Layered Glass

- Antiquity
- Mirage
- Silk
- Wintersday

Specialty Inserts

- Chalkboard Insert

Textured Glass

- Cascade
- Dolace
- Modern Textured Insert
- Moire
- Ravenna
- Styx
- Vauxhall

Fallon Finishes

❖ Available as Standard
● Premium Upcharge

		AH7C9	AH7M9	AH7O9
		Fallon Cherry	Fallon Maple	Fallon Oak
Autumn Blush	AB	❖		❖
Autumn Blush Suede	C21	●		●
Baltic	D78	❖		❖
Baltic Suede	D80	●		●
Bonsai	E69		●	
Bonsai Suede	E70		●	
Burmese	E67		●	
Burmese Suede	E68		●	
Cannon Grey	D81	❖		❖
Cannon Grey Suede	D83	●		●
Cannon Grey Wood Grain	D81O			
Canvas	CV		●	
Canvas Suede	D37		●	
Chestnut	CN	❖		
Chestnut Suede	C23		●	
Chocolate	CC	❖	❖	
Chocolate Suede	D87	●	●	
Cognac	CO	❖	❖	❖
Cognac Suede	D85	●	●	●
ColorMatch	CC1		●	
ColorMatch Suede	CC2		●	
Dove White	DW		●	
Dove White Suede	D40		●	
Fawn	FN			❖
Fawn Suede	D51			●
Ginger	C88	❖	❖	❖
Ginger Suede	C19	●	●	●
Greyloft	B65		●	
Greyloft Suede	D41		●	
Honey Spice	HS	❖	❖	❖
Honey Spice Suede	D88	●	●	●
Husk	B82	❖		❖
Husk Suede	C13	●		●
Kaffé	KA	❖	❖	❖
Kaffé Suede	C27	●	●	●
Lagoon	E63		●	
Lagoon Suede	E64		●	
Linen	D90		●	
Linen Suede	D93		●	
Midnight	B69		●	
Midnight Suede	D42		●	
Molasses	E58	❖	❖	❖
Molasses Suede	E59	●	●	●
Moonshine	D98		●	
Moonshine Suede	E02		●	
Natural	NA	❖	❖	❖
Natural Suede	D89	●	●	●
Onyx	A21		●	●
Onyx Suede	D44		●	●
Pebble Grey	B83		●	
Pebble Grey Suede	D45		●	
Peppercorn	PC	❖	❖	❖
Peppercorn Suede	D53	●	●	●
Praline	PR	❖	❖	❖
Praline Suede	C78	●	●	●
Saddle	B81	❖	❖	❖
Saddle Suede	C12	●	●	●
Slate	B64	❖	❖	❖
Slate Suede	C72	●	●	●
Sunset	SU	❖		
Sunset Suede	D49	●		
Surfside	E65		●	
Surfside Suede	E66		●	
Unfinished	UF	❖	❖	❖

Fox Court

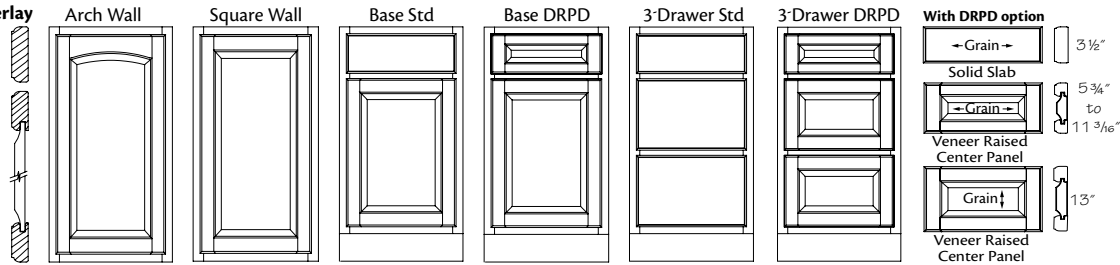
1/2" Overlay

AB8C9	Cherry Arch	Price Column E
AB7C9	Cherry Square	Price Column E
AB8H9	Hickory Arch	Price Column C
AB7H9	Hickory Square	Price Column C
AB8M9	Maple Arch	Price Column D
AB7M9	Maple Square	Price Column D
AB8O9	Oak Arch	Price Column C
AB7O9	Oak Square	Price Column C

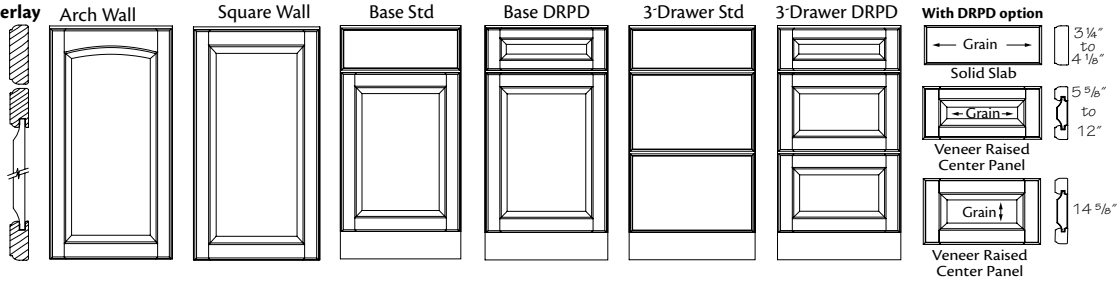
Full Overlay

AC0C9	Cherry Arch	Price Column I
AB9C9	Cherry Square	Price Column I
AC0H9	Hickory Arch	Price Column E
AB9H9	Hickory Square	Price Column E
AC0M9	Maple Arch	Price Column G
AB9M9	Maple Square	Price Column G
AC0O9	Oak Arch	Price Column E
AB9O9	Oak Square	Price Column E

1/2" Overlay



Full Overlay



- Solid wood door frame with 2 3/16" stiles and rails
- Square design has veneer raised panel on wall and base doors
- Arch design has arched veneer raised panels on wall doors only; base doors will be square
- Slab drawer front
- Deluxe Raised Panel Drawer (DRPD) front available
- Concealed hinge
- Decorative Hardware is required for full overlay

Decorative Doors & Inserts Available

Aluminum Frame Glass

- Fresco Brushed Aluminum ■
- Vetro Brushed Aluminum ■

Camed Glass

- Classic Camed Insert ■
- Palisades
- Penrose
- Victorian
- Yorkshire

Classic Glass

- Bistro
- Prepared for Glass
- Prism ★
- Shadow

Etched Glass

- Crossroads
- Lisbon
- Modern Frosted Insert ■ ★
- Prairie
- Satina

Layered Glass

- Antiquity
- Mirage
- Silk
- Wintersday

Mullion Doors

- Castlegate ■
- Evansville ■
- Hewitt ■
- Palladia ■ ▲
- Raleigh ■ ▲
- Showcase Mullion
- Traditional Mullion

Specialty Inserts

- Chalkboard Insert

Textured Glass

- Cascade
- Dolace
- Modern Textured Insert ■
- Moire
- Ravenna
- Styx
- Vauxhall

- Only available in full overlay door styles
- ★ Not available in Arch door styles
- ▲ Only available in Cherry & Maple door styles

Fox Court Finishes

- ❖ Available as Standard
- Premium Upcharge

		AC0C9	AB8C9	AB9C9	AB7C9	AC0H9	AB8H9	AB9H9	AB7H9	AC0M9	AB8M9	AB9M9	AB7M9	AC0O9	AB8O9	AB9O9	AB7O9
		Fox Court Cherry Arch - Full	Fox Court Cherry Arch - Half	Fox Court Cherry Square - Full	Fox Court Cherry Square - Half	Fox Court Hickory Arch - Full	Fox Court Hickory Arch - Half	Fox Court Hickory Square - Full	Fox Court Hickory Square - Half	Fox Court Maple Arch - Full	Fox Court Maple Arch - Half	Fox Court Maple Square - Full	Fox Court Maple Square - Half	Fox Court Oak Arch - Full	Fox Court Oak Arch - Half	Fox Court Oak Square - Full	Fox Court Oak Square - Half
Autumn Blush	AB	❖	❖	❖	❖									❖	❖	❖	❖
Autumn Blush Suede	C21	●	●	●	●												
Autumn Blush W/Onyx Glaze	F81	●	●	●	●									●	●	●	●
Autumn Blush W/Onyx Glaze Suede	F82	●	●	●	●									●	●	●	●
Baltic	D78	❖	❖	❖	❖									❖	❖	❖	❖
Baltic Suede	D80	●	●	●	●									●	●	●	●
Bonsai	E69									●	●	●	●				
Bonsai Suede	E70									●	●	●	●				
Burmese	E67									●	●	●	●				
Burmese Suede	E68									●	●	●	●				
Cannon Grey	D81	❖	❖	❖	❖									❖	❖	❖	❖
Cannon Grey Suede	D83	●	●	●	●									●	●	●	●
Canvas	CV										●	●	●				
Canvas Suede	D37									●	●	●	●				
Canvas W/Cinder Highlight	E87									●	●	●	●				
Canvas W/Cinder Highlight Suede	E88									●	●	●	●				
Canvas W/Cocoa Highlight Suede	E90									●	●	●	●				
Canvas W/Cocoa Highlight	E89									●	●	●	●				
Chestnut	CN									❖	❖	❖	❖				
Chestnut Suede	C23									●	●	●	●				
Chocolate	CC	❖	❖	❖	❖					❖	❖	❖	❖				
Chocolate Suede	D87	●	●	●	●					●	●	●	●				
Chocolate W/Ebony Glaze	F87	●	●	●	●					●	●	●	●				
Chocolate W/Ebony Glaze Suede	F88	●	●	●	●					●	●	●	●				
Cognac	CO	❖	❖	❖	❖	❖	❖	❖	❖	❖	❖	❖	❖	❖	❖	❖	❖
Cognac Suede	D85	●	●	●	●	●	●	●	●	●	●	●	●	●	●	●	●
ColorMatch	CC1									●	●	●	●				
ColorMatch Suede	CC2									●	●	●	●				
Dove White	DW									●	●	●	●				
Dove White Suede	D40									●	●	●	●				
Dove White W/Cinder Highlight	E93									●	●	●	●				
Dove White W/Cinder Highlight Suede	E94									●	●	●	●				
Dove White W/Cocoa Highlight	E95									●	●	●	●				
Dove White W/Cocoa Highlight Suede	E96									●	●	●	●				
Fawn	FN													❖	❖	❖	❖
Fawn Suede	D51													●	●	●	●
Ginger	C88	❖	❖	❖	❖	❖	❖	❖	❖	❖	❖	❖	❖	❖	❖	❖	❖
Ginger Suede	C19	●	●	●	●	●	●	●	●	●	●	●	●	●	●	●	●
Ginger W/Sable Glaze	F91	●	●	●	●	●	●	●	●	●	●	●	●	●	●	●	●
Ginger W/Sable Glaze Suede	F92	●	●	●	●	●	●	●	●	●	●	●	●	●	●	●	●
Greyloft	B65									●	●	●	●				
Greyloft Suede	D41									●	●	●	●				
Greyloft W/Sable Highlight	E97									●	●	●	●				
Greyloft W/Sable Highlight Suede	E98									●	●	●	●				
Honey Spice	HS	❖	❖	❖	❖	❖	❖	❖	❖	❖	❖	❖	❖	❖	❖	❖	❖
Honey Spice Suede	D88	●	●	●	●	●	●	●	●	●	●	●	●	●	●	●	●
Husk	B82	❖	❖	❖	❖	❖	❖	❖						❖	❖	❖	❖
Husk Suede	C13	●	●	●	●	●	●	●						●	●	●	●
Kaffé	KA	❖	❖	❖	❖	❖	❖	❖	❖	❖	❖	❖	❖	❖	❖	❖	❖
Kaffé Suede	C27	●	●	●	●	●	●	●	●	●	●	●	●	●	●	●	●
Lagoon	E63									●	●	●	●				
Lagoon Suede	E64									●	●	●	●				
Linen	D90									●	●	●	●				
Linen Suede	D93									●	●	●	●				
Linen W/Cinder Highlight	E99									●	●	●	●				
Linen W/Cinder Highlight Suede	F00									●	●	●	●				
Linen W/Cocoa Highlight	F01									●	●	●	●				

Fox Court Finishes continued

- ❖ Available as Standard
- Premium Upcharge

		Fox Court Cherry Arch - Full	Fox Court Cherry Arch - Half	Fox Court Cherry Square - Full	Fox Court Cherry Square - Half	Fox Court Hickory Arch - Full	Fox Court Hickory Arch - Half	Fox Court Hickory Square - Full	Fox Court Hickory Square - Half	Fox Court Maple Arch - Full	Fox Court Maple Arch - Half	Fox Court Maple Square - Full	Fox Court Maple Square - Half	Fox Court Oak Arch - Full	Fox Court Oak Arch - Half	Fox Court Oak Square - Full	Fox Court Oak Square - Half
		AC0C9	AB8C9	AB9C9	AB7C9	AC0H9	AB8H9	AB9H9	AB7H9	AC0M9	AB8M9	AB9M9	AB7M9	AC0O9	AB8O9	AB9O9	AB7O9
Linen W/Cocoa Highlight Suede	F02									●	●	●	●				
Midnight	B69									●	●	●	●				
Midnight Suede	D42									●	●	●	●				
Midnight W/Onyx Highlight	F03									●	●	●	●				
Midnight W/Onyx Highlight Suede	F04									●	●	●	●				
Molasses	E58	❖	❖	❖	❖	❖	❖	❖	❖	❖	❖	❖	❖	❖	❖	❖	❖
Molasses Suede	E59	●	●	●	●	●	●	●	●	●	●	●	●	●	●	●	●
Moonshine	D98									●	●	●	●				
Moonshine Suede	E02									●	●	●	●				
Moonshine W/Cinder Highlight	F05									●	●	●	●				
Moonshine W/Cinder Highlight Suede	F06									●	●	●	●				
Moonshine W/Cocoa Highlight	F07									●	●	●	●				
Moonshine W/Cocoa Highlight Suede	F08									●	●	●	●				
Natural	NA	❖	❖	❖	❖	❖	❖	❖	❖	❖	❖	❖	❖	❖	❖	❖	❖
Natural Suede	D89	●	●	●	●	●	●	●	●	●	●	●	●	●	●	●	●
Onyx	A21									●	●	●	●	●	●	●	●
Onyx Suede	D44									●	●	●	●	●	●	●	●
Pebble Grey	B83									●	●	●	●				
Pebble Grey Suede	D45									●	●	●	●				
Pebble Grey W/Cocoa Highlight	F09									●	●	●	●				
Pebble Grey W/Cocoa Highlight Suede	F10									●	●	●	●				
Peppercorn	PC	❖	❖	❖	❖					❖	❖	❖	❖	❖	❖	❖	❖
Peppercorn Suede	D53	●	●	●	●					●	●	●	●	●	●	●	●
Praline	PR	❖	❖	❖	❖	❖	❖	❖	❖	❖	❖	❖	❖	❖	❖	❖	❖
Praline Suede	C78	●	●	●	●	●	●	●	●	●	●	●	●	●	●	●	●
Saddle	B81	❖	❖	❖	❖	❖	❖	❖	❖	❖	❖	❖	❖	❖	❖	❖	❖
Saddle Suede	C12	●	●	●	●	●	●	●	●	●	●	●	●	●	●	●	●
Slate	B64	❖	❖	❖	❖	❖	❖	❖	❖	❖	❖	❖	❖	❖	❖	❖	❖
Slate Suede	C72	●	●	●	●	●	●	●	●	●	●	●	●	●	●	●	●
Sunset	SU	❖	❖	❖	❖	❖	❖	❖	❖								
Sunset Suede	D49	●	●	●	●	●	●	●	●								
Surfside	E65									●	●	●	●				
Surfside Suede	E66									●	●	●	●				
Unfinished	UF	❖	❖	❖	❖	❖	❖	❖	❖	❖	❖	❖	❖	❖	❖	❖	❖

Notes

Gallina

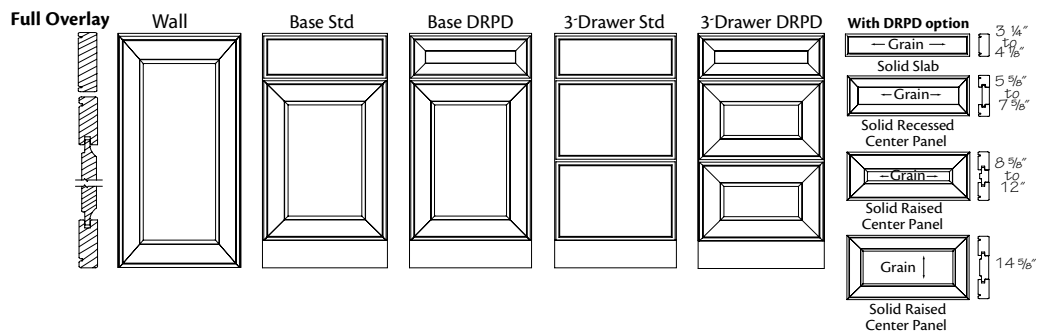
Full Overlay

AB1C9 Cherry

Price Column P

AB1M9 Maple

Price Column O



- Solid wood mitered door frame with 3" stiles and rails
- Square solid raised panel on wall and base doors
- Slab drawer front
- Deluxe Raised Panel Drawer (DRPD) front available
- Concealed hinge
- Decorative hardware is required

Decorative Doors & Inserts Available

Aluminum Frame Glass

- Fresco Brushed Aluminum
- Vetro Brushed Aluminum

Camed Glass

- Classic Camed Insert
- Palisades
- Penrose
- Victorian
- Yorkshire

Classic Glass

- Bistro
- Prepared for Glass
- Prism
- Shadow

Etched Glass

- Crossroads
- Lisbon
- Modern Frosted Insert
- Prairie
- Satina

Layered Glass

- Antiquity
- Mirage
- Silk
- Wintersday

Mullion Doors

- Castlegate
- Evansville
- Hewitt
- Showcase Mullion
- Traditional Mullion

Specialty Inserts

- Chalkboard Insert

Textured Glass

- Cascade
- Dolace
- Modern Textured Insert
- Moire
- Ravenna
- Styx
- Vauxhall

Gallina Finishes

- ❖ Available as Standard
- Premium Upcharge

		AB1C9	AB1M9
	Gallina Cherry		Gallina Maple
Aged Concrete	E06	●	●
Aged Papyrus	E05	●	●
Aged River Rock	E07	●	●
Autumn Blush	AB	❖	
Autumn Blush Suede	C21	●	●
Autumn Blush W/Onyx Glaze	F81	●	●
Autumn Blush W/Onyx Glaze Suede	F82	●	●
Baltic	D78	❖	
Baltic Suede	D80	●	●
Bonsai	E69	●	●
Bonsai Suede	E70	●	●
Burmese	E67	●	●
Burmese Suede	E68	●	●
Cannon Grey	D81	❖	
Cannon Grey Suede	D83	●	●
Canvas	CV		●
Canvas Suede	D37	●	●
Canvas W/Cinder Highlight	E87	●	●
Canvas W/Cinder Highlight Suede	E88	●	●
Canvas W/Cocoa Highlight Suede	E90	●	●
Canvas W/Cocoa Highlight	E89	●	●
Chestnut	CN	❖	
Chestnut Suede	C23	●	●
Chocolate	CC	❖	❖
Chocolate Suede	D87	●	●
Chocolate W/Ebony Glaze	F87	●	●
Chocolate W/Ebony Glaze Suede	F88	●	●
Cognac	CO	❖	❖
Cognac Suede	D85	●	●
ColorMatch	CC1	●	●
ColorMatch Suede	CC2	●	●
Distressed Autumn Blush	C22	●	●
Distressed Baltic	D79	●	●
Distressed Cannon Grey	D82	●	●
Distressed Chestnut	C24	●	●
Distressed Chocolate	D86	●	●
Distressed Cognac	D84	●	●
Distressed Ginger	C20	●	●
Distressed Husk	C15	●	●
Distressed Kaffé	C28	●	●
Distressed Molasses	E60	●	●
Distressed Peppercorn	C86	●	●
Distressed Praline	C79	●	●
Distressed Saddle	C14	●	●
Distressed Slate	C73	●	●
Distressed Sunset	D50	●	●
Dove White	DW		●
Dove White Suede	D40	●	●
Dove White W/Cinder Highlight	E93	●	●
Dove White W/Cinder Highlight Suede	E94	●	●
Dove White W/Cocoa Highlight	E95	●	●
Dove White W/Cocoa Highlight Suede	E96	●	●
Ginger	C88	❖	❖
Ginger Suede	C19	●	●
Ginger W/Sable Glaze	F91	●	●
Ginger W/Sable Glaze Suede	F92	●	●
Greyloft	B65	●	●
Greyloft Suede	D41	●	●
Greyloft W/Sable Highlight	E97	●	●
Greyloft W/Sable Highlight Suede	E98	●	●
Honey Spice	HS	❖	❖
Honey Spice Suede	D88	●	●
Husk	B82	❖	
Husk Suede	C13	●	●
Kaffé	KA	❖	❖
Kaffé Suede	C27	●	●
Lagoon	E63	●	●

		AB1C9	AB1M9
	Gallina Cherry		Gallina Maple
Lagoon Suede	E64	●	●
Linen	D90	●	●
Linen Suede	D93	●	●
Linen W/Cinder Highlight	E99	●	●
Linen W/Cinder Highlight Suede	F00	●	●
Linen W/Cocoa Highlight	F01	●	●
Linen W/Cocoa Highlight Suede	F02	●	●
Midnight	B69	●	●
Midnight Suede	D42	●	●
Midnight W/Onyx Highlight	F03	●	●
Midnight W/Onyx Highlight Suede	F04	●	●
Molasses	E58	❖	❖
Molasses Suede	E59	●	●
Moonshine	D98	●	●
Moonshine Suede	E02	●	●
Moonshine W/Cinder Highlight	F05	●	●
Moonshine W/Cinder Highlight Suede	F06	●	●
Moonshine W/Cocoa Highlight	F07	●	●
Moonshine W/Cocoa Highlight Suede	F08	●	●
Natural	NA	❖	❖
Natural Suede	D89	●	●
Onyx	A21		●
Onyx Suede	D44	●	●
Pebble Grey	B83	●	●
Pebble Grey Suede	D45	●	●
Pebble Grey W/Cocoa Highlight	F09	●	●
Pebble Grey W/Cocoa Highlight Suede	F10	●	●
Peppercorn	PC	❖	❖
Peppercorn Suede	D53	●	●
Praline	PR	❖	❖
Praline Suede	C78	●	●
Saddle	B81	❖	❖
Saddle Suede	C12	●	●
Slate	B64	❖	❖
Slate Suede	C72	●	●
Sunset	SU	❖	
Sunset Suede	D49	●	●
Surfside	E65	●	●
Surfside Suede	E66	●	●
Unfinished	UF	❖	❖
Vintage Canvas	VC	●	●
Vintage Canvas Suede	E42	●	●
Vintage Dove White	VD	●	●
Vintage Dove White Suede	E44	●	●
Vintage Greyloft	B67	●	●
Vintage Greyloft Suede	E45	●	●
Vintage Linen	D91	●	●
Vintage Linen Suede	E46	●	●
Vintage Midnight	B71	●	●
Vintage Midnight Suede	E47	●	●
Vintage Moonshine	D99	●	●
Vintage Moonshine Suede	E48	●	●
Vintage Onyx	VO	●	●
Vintage Onyx Suede	E50	●	●
Vintage Pebble Grey	B86	●	●
Vintage Pebble Grey Suede	E51	●	●

Ganon

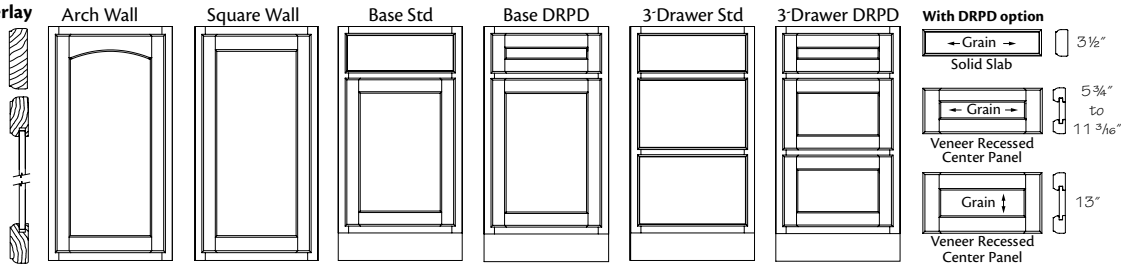
1/2" Overlay

2GCR9	Cherry Arch	Price Column D
2GCS9	Cherry Square	Price Column D
AC3D9	EverCore® Arch	Price Column A
AC2D9	EverCore® Square	Price Column A
AC3H9	Hickory Arch	Price Column A
AC2H9	Hickory Square	Price Column A
AC3M9	Maple Arch	Price Column B
AC2M9	Maple Square	Price Column B
AC3O9	Oak Arch	Price Column A
AC2O9	Oak Square	Price Column A
AC2A9	Rustic Alder Square	Price Column B

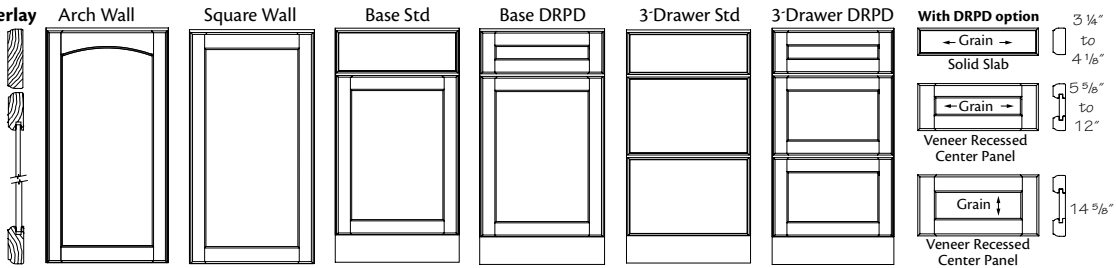
Full Overlay

AD0C9	Cherry Arch	Price Column G
AC9C9	Cherry Square	Price Column G
AD0D9	EverCore® Arch	Price Column D
AC9D9	EverCore® Square	Price Column D
AD0H9	Hickory Arch	Price Column E
AC9H9	Hickory Square	Price Column E
AD0M9	Maple Arch	Price Column F
AC9M9	Maple Square	Price Column F
AD0O9	Oak Arch	Price Column E
AC9O9	Oak Square	Price Column E
AC9A9	Rustic Alder Square	Price Column F

1/2" Overlay



Full Overlay



- Solid wood door frame with 2 3/16" stiles and rails, except EverCore®, which will be mechanically compressed wood fiber
- Square design has veneer recessed panels on wall and base doors, except EverCore®, which will be mechanically compressed wood fiber
- Arch design has arched veneer recessed panels on wall doors only, except EverCore®, which will be mechanically compressed wood fiber; base doors will be square
- Slab drawer front
- Deluxe Recessed Panel Drawer (DRPD) front available
- Concealed hinge
- Decorative Hardware is required for full overlay
- Rustic Alder is available in square only
- **Note:** Rustic door styles feature knotty or character wood. It contains character marks such as heartwood, worm holes and mineral streaks of varying size. Components of these doors are chosen at random, with the appearance of each individual door varying widely from very rustic to relatively clear and unmarked

Decorative Doors & Inserts Available

Aluminum Frame Glass

- Fresco Brushed Aluminum ■
- Vetro Brushed Aluminum ■

Camed Glass

- Classic Camed Insert ■
- Palisades
- Penrose
- Victorian
- Yorkshire

Classic Glass

- Bistro
- Prepared for Glass
- Prism ●
- Shadow

Etched Glass

- Crossroads
- Lisbon
- Modern Frosted Insert ■ ●
- Prairie
- Satina

Layered Glass

- Antiquity
- Mirage
- Silk
- Wintersday

Mullion Doors

- Castlegate ★ ■ ☆
- Evansville ★ ■ ☆
- Hewitt ★ ■ ☆
- Palladia ▲ ■ ☆
- Raleigh ▲ ■
- Showcase Mullion ★ ☆
- Traditional Mullion ★ ☆

Specialty Inserts

- Chalkboard Insert

Textured Glass

- Cascade
- Dolace
- Modern Textured Insert ■
- Moire
- Ravenna
- Styx
- Vauxhall

- ▲ Only available in Cherry & Maple door styles
- ★ **Not** available in Rustic door styles
- Only available in full overlay door styles
- **Not** available in Arch door styles
- ☆ **Not** available in Evercore® door styles

Ganon Finishes

- ❖ Available as Standard
- Premium Upcharge

		AD0C9	2GCR9	AC9C9	2GCS9	AD0D9	AC3D9	AC9D9	AC2D9	AD0H9	AC3H9	AC9H9	AC2H9	AD0M9	AC3M9	AC9M9	AC2M9	AD0O9	AC3O9	AC9O9	AC2O9	AC9A9	AC2A9
		Ganon Cherry Arch - Full	Ganon Cherry Arch - Half	Ganon Cherry Square - Full	Ganon Cherry Square - Half	Ganon EverCore® Arch - Full	Ganon EverCore® Arch - Half	Ganon EverCore® Square - Full	Ganon EverCore® Square - Half	Ganon Hickory Arch - Full	Ganon Hickory Arch - Half	Ganon Hickory Square - Full	Ganon Hickory Square - Half	Ganon Maple Arch - Full	Ganon Maple Arch - Half	Ganon Maple Square - Full	Ganon Maple Square - Half	Ganon Oak Arch - Full	Ganon Oak Arch - Half	Ganon Oak Square - Full	Ganon Oak Square - Half	Ganon Rustic Alder Square - Full	Ganon Rustic Alder Square - Half
Autumn Blush	AB	❖	❖	❖	❖													❖	❖	❖	❖	❖	❖
Autumn Blush Suede	C21	●	●	●	●													●	●	●	●	●	●
Autumn Blush W/Onyx Glaze	F81	●	●	●	●													●	●	●	●	●	●
Autumn Blush W/Onyx Glaze Suede	F82	●	●	●	●													●	●	●	●	●	●
Baltic	D78	❖	❖	❖	❖													❖	❖	❖	❖	❖	❖
Baltic Suede	D80	●	●	●	●													●	●	●	●	●	●
Bonsai	E69					●	●	●	●				●	●	●	●	●						
Bonsai Suede	E70					●	●	●	●				●	●	●	●	●						
Burmese	E67					●	●	●	●				●	●	●	●	●						
Burmese Suede	E68					●	●	●	●				●	●	●	●	●						
Cannon Grey	D81	❖	❖	❖	❖													❖	❖	❖	❖	❖	❖
Cannon Grey Suede	D83	●	●	●	●													●	●	●	●	●	●
Canvas	CV					●	●	●	●				●	●	●	●	●						
Canvas Suede	D37					●	●	●	●				●	●	●	●	●						
Canvas W/Cinder Highlight	E87												●	●	●	●	●						
Canvas W/Cinder Highlight Suede	E88												●	●	●	●	●						
Canvas W/Cocoa Highlight Suede	E90												●	●	●	●	●						
Canvas W/Cocoa Highlight	E89												●	●	●	●	●						
Chestnut	CN												❖	❖	❖	❖	❖						
Chestnut Suede	C23												●	●	●	●	●						
Chocolate	CC	❖	❖	❖	❖									❖	❖	❖	❖					❖	❖
Chocolate Suede	D87	●	●	●	●								●	●	●	●	●					●	●
Chocolate W/Ebony Glaze	F87	●	●	●	●								●	●	●	●	●					●	●
Chocolate W/Ebony Glaze Suede	F88	●	●	●	●								●	●	●	●	●					●	●
Cognac	CO	❖	❖	❖	❖				❖	❖	❖	❖	❖	❖	❖	❖	❖	❖	❖	❖	❖	❖	❖
Cognac Suede	D85	●	●	●	●				●	●	●	●	●	●	●	●	●	●	●	●	●	●	●
ColorMatch	CC1					●	●	●	●				●	●	●	●	●						
ColorMatch Suede	CC2					●	●	●	●				●	●	●	●	●						
Dove White	DW					●	●	●	●				●	●	●	●	●						
Dove White Suede	D40					●	●	●	●				●	●	●	●	●						
Dove White W/Cinder Highlight	E93												●	●	●	●	●						
Dove White W/Cinder Highlight Suede	E94												●	●	●	●	●						
Dove White W/Cocoa Highlight	E95												●	●	●	●	●						
Dove White W/Cocoa Highlight Suede	E96												●	●	●	●	●						
Fawn	FN																	❖	❖	❖	❖		
Fawn Suede	D51																	●	●	●	●	●	●
Ginger	C88	❖	❖	❖	❖				❖	❖	❖	❖	❖	❖	❖	❖	❖	❖	❖	❖	❖	❖	❖
Ginger Suede	C19	●	●	●	●				●	●	●	●	●	●	●	●	●	●	●	●	●	●	●
Ginger W/Sable Glaze	F91	●	●	●	●				●	●	●	●	●	●	●	●	●	●	●	●	●	●	●
Ginger W/Sable Glaze Suede	F92	●	●	●	●				●	●	●	●	●	●	●	●	●	●	●	●	●	●	●
Greyloft	B65					●	●	●	●				●	●	●	●	●						
Greyloft Suede	D41					●	●	●	●				●	●	●	●	●						
Greyloft W/Sable Highlight	E97												●	●	●	●	●						
Greyloft W/Sable Highlight Suede	E98												●	●	●	●	●						
Honey Spice	HS	❖	❖	❖	❖				❖	❖	❖	❖	❖	❖	❖	❖	❖	❖	❖	❖	❖	❖	❖
Honey Spice Suede	D88	●	●	●	●				●	●	●	●	●	●	●	●	●	●	●	●	●	●	●
Husk	B82	❖	❖	❖	❖				❖	❖	❖	❖	❖	❖	❖	❖	❖	❖	❖	❖	❖	❖	❖
Husk Suede	C13	●	●	●	●				●	●	●	●	●	●	●	●	●	●	●	●	●	●	●
Kaffé	KA	❖	❖	❖	❖				❖	❖	❖	❖	❖	❖	❖	❖	❖	❖	❖	❖	❖	❖	❖
Kaffé Suede	C27	●	●	●	●				●	●	●	●	●	●	●	●	●	●	●	●	●	●	●
Lagoon	E63					●	●	●	●				●	●	●	●	●						
Lagoon Suede	E64					●	●	●	●				●	●	●	●	●						
Linen	D90					●	●	●	●				●	●	●	●	●						
Linen Suede	D93					●	●	●	●				●	●	●	●	●						
Linen W/Cinder Highlight	E99												●	●	●	●	●						
Linen W/Cinder Highlight Suede	F00												●	●	●	●	●						
Linen W/Cocoa Highlight	F01												●	●	●	●	●						

Ganon Finishes continued

- ◆ Available as Standard
- Premium Upcharge

	AD0C9	2GCR9	AC9C9	2GCS9	AD0D9	AC3D9	AC9D9	AC2D9	AD0H9	AC3H9	AC9H9	AC2H9	AD0M9	AC3M9	AC9M9	AC2M9	AD0O9	AC3O9	AC9O9	AC2O9	AC9A9	AC2A9	
	Ganon Cherry Arch - Full	Ganon Cherry Arch - Half	Ganon Cherry Square - Full	Ganon Cherry Square - Half	Ganon EverCore® Arch - Full	Ganon EverCore® Arch - Half	Ganon EverCore® Square - Full	Ganon EverCore® Square - Half	Ganon Hickory Arch - Full	Ganon Hickory Arch - Half	Ganon Hickory Square - Full	Ganon Hickory Square - Half	Ganon Maple Arch - Full	Ganon Maple Arch - Half	Ganon Maple Square - Full	Ganon Maple Square - Half	Ganon Oak Arch - Full	Ganon Oak Arch - Half	Ganon Oak Square - Full	Ganon Oak Square - Half	Ganon Rustic Alder Square - Full	Ganon Rustic Alder Square - Half	
Linen W/Cocoa Highlight Suede	F02																						
Midnight	B69				●	●	●	●					●	●	●	●							
Midnight Suede	D42				●	●	●	●					●	●	●	●							
Midnight W/Onyx Highlight	F03												●	●	●	●							
Midnight W/Onyx Highlight Suede	F04												●	●	●	●							
Molasses	E58	◆	◆	◆	◆				◆	◆	◆	◆	◆	◆	◆	◆	◆	◆	◆	◆	◆	◆	◆
Molasses Suede	E59	●	●	●	●				●	●	●	●	●	●	●	●	●	●	●	●	●	●	●
Moonshine	D98				●	●	●	●					●	●	●	●							
Moonshine Suede	E02				●	●	●	●					●	●	●	●							
Moonshine W/Cinder Highlight	F05												●	●	●	●							
Moonshine W/Cinder Highlight Suede	F06												●	●	●	●							
Moonshine W/Cocoa Highlight	F07												●	●	●	●							
Moonshine W/Cocoa Highlight Suede	F08												●	●	●	●							
Natural	NA	◆	◆	◆	◆				◆	◆	◆	◆	◆	◆	◆	◆	◆	◆	◆	◆	◆	◆	◆
Natural Suede	D89	●	●	●	●				●	●	●	●	●	●	●	●	●	●	●	●	●	●	●
Onyx	A21				●	●	●	●					●	●	●	●	●	●	●	●	●	●	●
Onyx Suede	D44				●	●	●	●					●	●	●	●	●	●	●	●	●	●	●
Pebble Grey	B83				●	●	●	●					●	●	●	●							
Pebble Grey Suede	D45				●	●	●	●					●	●	●	●							
Pebble Grey W/Cocoa Highlight	F09												●	●	●	●							
Pebble Grey W/Cocoa Highlight Suede	F10												●	●	●	●							
Peppercorn	PC	◆	◆	◆	◆								◆	◆	◆	◆	◆	◆	◆	◆	◆	◆	◆
Peppercorn Suede	D53	●	●	●	●								●	●	●	●	●	●	●	●	●	●	●
Praline	PR	◆	◆	◆	◆				◆	◆	◆	◆	◆	◆	◆	◆	◆	◆	◆	◆	◆	◆	◆
Praline Suede	C78	●	●	●	●				●	●	●	●	●	●	●	●	●	●	●	●	●	●	●
Saddle	B81	◆	◆	◆	◆				◆	◆	◆	◆	◆	◆	◆	◆	◆	◆	◆	◆	◆	◆	◆
Saddle Suede	C12	●	●	●	●				●	●	●	●	●	●	●	●	●	●	●	●	●	●	●
Slate	B64	◆	◆	◆	◆				◆	◆	◆	◆	◆	◆	◆	◆	◆	◆	◆	◆	◆	◆	◆
Slate Suede	C72	●	●	●	●				●	●	●	●	●	●	●	●	●	●	●	●	●	●	●
Sunset	SU	◆	◆	◆	◆				◆	◆	◆	◆	◆	◆	◆	◆	◆	◆	◆	◆	◆	◆	◆
Sunset Suede	D49	●	●	●	●				●	●	●	●									●	●	
Surfside	E65				●	●	●	●					●	●	●	●							
Surfside Suede	E66				●	●	●	●					●	●	●	●							
Unfinished	UF	◆	◆	◆	◆				◆	◆	◆	◆	◆	◆	◆	◆	◆	◆	◆	◆	◆	◆	◆

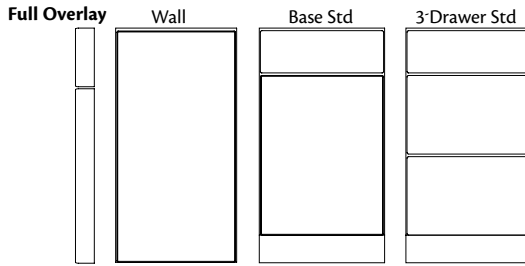
Notes

Glencoe

Full Overlay

SWS9 White Thermofoil

Price Column B



- Thermofoil on 3/4" thick MDF substrate
- Slab with square edges on wall & base doors
- Slab drawer front
- Concealed hinge
- Decorative hardware is required



Remember, all Foil and Thermofoil door styles will have a natural birch interior and a white laminate exterior. Also, the underside of the cabinets are natural birch. To cover the underside, order an Under Cabinet Panel.

Decorative Doors & Inserts Available

Aluminum Frame Glass

- Fresco Brushed Aluminum
- Vetro Brushed Aluminum

Camed Glass

- Classic Camed Insert
- Palisades
- Penrose
- Victorian
- Yorkshire

Classic Glass

- Bistro
- Prepared for Glass
- Prism
- Shadow

Etched Glass

- Crossroads
- Lisbon
- Modern Frosted Insert
- Prairie
- Satina

Layered Glass

- Antiquity
- Mirage
- Silk
- Wintersday

Mullion Doors

- Traditional Mullion

Specialty Inserts

- Chalkboard Insert

Textured Glass

- Cascade
- Dolace
- Modern Textured Insert
- Moire
- Ravenna
- Styx
- Vauxhall

Glencoe Finishes

- ❖ Available as Standard
- Premium Upcharge

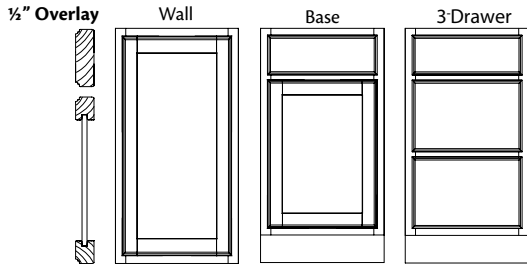
White WH

❖ Glencoe White SW59

Harmond

1/2" Overlay

AC4C9	Cherry	Price Column D
AC4M9	Maple	Price Column B
AC4O9	Oak	Price Column A



- Solid wood door frame with 2 3/16" stiles and rails
- Square veneer recessed panel on wall and base doors
- Slab drawer front
- Concealed hinge
- Decorative hardware is optional

Decorative Doors & Inserts Available

Camed Glass

- Palisades
- Penrose
- Victorian
- Yorkshire

Classic Glass

- Bistro
- Prepared for Glass
- Prism
- Shadow

Etched Glass

- Crossroads
- Lisbon
- Prairie
- Satina

Layered Glass

- Antiquity
- Mirage
- Silk
- Wintersday

Mullion Doors

- Showcase Mullion
- Traditional Mullion

Specialty Inserts

- Chalkboard Insert

Textured Glass

- Cascade
- Dolace
- Moire
- Ravenna
- Styx
- Vauxhall

Harmond Finishes

- ❖ Available as Standard
- Premium Upcharge

		AC4C9	AC4M9	AC4O9
		Harmond Cherry	Harmond Maple	Harmond Oak
Autumn Blush	AB	❖	❖	❖
Autumn Blush Suede	C21	●	●	●
Autumn Blush W/Onyx Glaze	F81	●	●	●
Autumn Blush W/Onyx Glaze Suede	F82	●	●	●
Baltic	D78	❖	❖	❖
Baltic Suede	D80	●	●	●
Bonsai	E69	●	●	●
Bonsai Suede	E70	●	●	●
Burmese	E67	●	●	●
Burmese Suede	E68	●	●	●
Cannon Grey	D81	❖	❖	❖
Cannon Grey Suede	D83	●	●	●
Canvas	CV	●	●	●
Canvas Suede	D37	●	●	●
Canvas W/Cinder Highlight	E87	●	●	●
Canvas W/Cinder Highlight Suede	E88	●	●	●
Canvas W/Cocoa Highlight Suede	E90	●	●	●
Canvas W/Cocoa Highlight	E89	●	●	●
Chestnut	CN	❖	❖	❖
Chestnut Suede	C23	●	●	●
Chocolate	CC	❖	❖	❖
Chocolate Suede	D87	●	●	●
Chocolate W/Ebony Glaze	F87	●	●	●
Chocolate W/Ebony Glaze Suede	F88	●	●	●
Cognac	CO	❖	❖	❖
Cognac Suede	D85	●	●	●
ColorMatch	CC1	●	●	●
ColorMatch Suede	CC2	●	●	●
Dove White	DW	●	●	●
Dove White Suede	D40	●	●	●
Dove White W/Cinder Highlight	E93	●	●	●
Dove White W/Cinder Highlight Suede	E94	●	●	●
Dove White W/Cocoa Highlight	E95	●	●	●
Dove White W/Cocoa Highlight Suede	E96	●	●	●
Fawn	FN	❖	❖	❖
Fawn Suede	D51	●	●	●
Ginger	C88	❖	❖	❖
Ginger Suede	C19	●	●	●
Ginger W/Sable Glaze	F91	●	●	●
Ginger W/Sable Glaze Suede	F92	●	●	●
Greyloft	B65	●	●	●
Greyloft Suede	D41	●	●	●
Greyloft W/Sable Highlight	E97	●	●	●
Greyloft W/Sable Highlight Suede	E98	●	●	●
Honey Spice	HS	❖	❖	❖
Honey Spice Suede	D88	●	●	●
Husk	B82	❖	❖	❖
Husk Suede	C13	●	●	●
Kaffé	KA	❖	❖	❖
Kaffé Suede	C27	●	●	●
Lagoon	E63	●	●	●
Lagoon Suede	E64	●	●	●
Linen	D90	●	●	●
Linen Suede	D93	●	●	●
Linen W/Cinder Highlight	E99	●	●	●
Linen W/Cinder Highlight Suede	F00	●	●	●
Linen W/Cocoa Highlight	F01	●	●	●
Linen W/Cocoa Highlight Suede	F02	●	●	●
Midnight	B69	●	●	●
Midnight Suede	D42	●	●	●
Midnight W/Onyx Highlight	F03	●	●	●
Midnight W/Onyx Highlight Suede	F04	●	●	●
Molasses	E58	❖	❖	❖
Molasses Suede	E59	●	●	●
Moonshine	D98	●	●	●

		AC4C9	AC4M9	AC4O9
		Harmond Cherry	Harmond Maple	Harmond Oak
Moonshine Suede	E02	●	●	●
Moonshine W/Cinder Highlight	F05	●	●	●
Moonshine W/Cinder Highlight Suede	F06	●	●	●
Moonshine W/Cocoa Highlight	F07	●	●	●
Moonshine W/Cocoa Highlight Suede	F08	●	●	●
Natural	NA	❖	❖	❖
Natural Suede	D89	●	●	●
Onyx	A21	●	●	●
Onyx Suede	D44	●	●	●
Pebble Grey	B83	●	●	●
Pebble Grey Suede	D45	●	●	●
Pebble Grey W/Cocoa Highlight	F09	●	●	●
Pebble Grey W/Cocoa Highlight Suede	F10	●	●	●
Peppercorn	PC	❖	❖	❖
Peppercorn Suede	D53	●	●	●
Praline	PR	❖	❖	❖
Praline Suede	C78	●	●	●
Saddle	B81	❖	❖	❖
Saddle Suede	C12	●	●	●
Slate	B64	❖	❖	❖
Slate Suede	C72	●	●	●
Sunset	SU	❖	❖	❖
Sunset Suede	D49	●	●	●
Surfside	E65	●	●	●
Surfside Suede	E66	●	●	●
Unfinished	UF	❖	❖	❖

Hincley

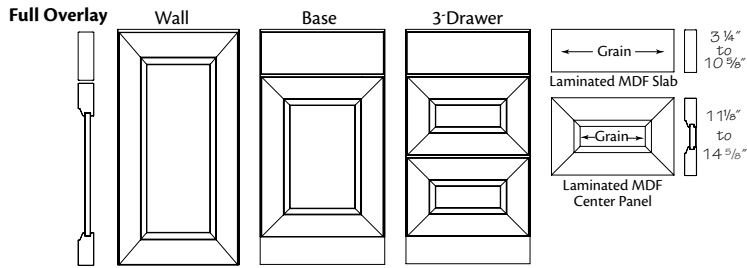
Full Overlay

AH4L9 Cannon Grey Wood-Grain Foil

Price Column G

AH4W9 Dove White Wood-Grain Foil

Price Column G



- Thermofoil on 3/4" thick MDF substrate
- Mitered door with 4 1/8" stiles and rails
- Recessed center panel door with horizontal grain orientation
- Five-piece mitered construction with foil wrapped lineal pieces
- Doors on 6" wide cabinets will be a slab design with vertical grain orientation
- Both doors on EZR33 and Asymmetrical EZR cabinets will be a slab design with vertical grain orientation
- Drawer fronts 3 1/4" to 10 5/8" will be slab
- Drawer fronts 11 1/8" to 14 5/8" will be five-piece
- Concealed hinge
- Decorative hardware is required
- **Note:** Cabinet box and most accessories will have a coordinating smooth white finish for Dove White Wood-Grain Foil or an oak texture finish for Cannon Grey Wood-Grain Foil door styles; select accessories will be offered in matching foil material (refer to individual items for specific details)

Decorative Doors & Inserts Available

Aluminum Frame Glass

- Fresco Brushed Aluminum
- Vetro Brushed Aluminum

Camed Glass

- Classic Camed Insert
- Palisades
- Penrose
- Victorian
- Yorkshire

Classic Glass

- Bistro
- Prepared for Glass
- Prism
- Shadow

Etched Glass

- Crossroads
- Lisbon
- Modern Frosted Insert
- Prairie
- Satina

Layered Glass

- Antiquity
- Mirage
- Silk
- Wintersday

Specialty Inserts

- Chalkboard Insert

Textured Glass

- Cascade
- Dolace
- Modern Textured Insert
- Moire
- Ravenna
- Styx
- Vauxhall

Hincley Finishes

- ❖ Available as Standard
- Premium Upcharge

Cannon Grey Wood Grain D81O
Dove White Wood Grain WH

❖	Hincley Cannon Grey	AH4L9
❖	Hincley Dove White	AH4W9

Hurley

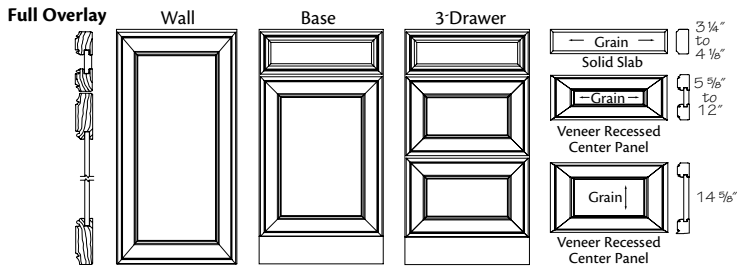
Full Overlay

AA6C9 Cherry

Price Column L

AA6M9 Maple

Price Column J



- Solid wood mitered door frame with 3" stiles and rails
- Square veneer recessed panel on wall and base doors
- Drawer front varies depending on height
- Concealed hinge
- Decorative hardware is required

Decorative Doors & Inserts Available

Aluminum Frame Glass

- Fresco Brushed Aluminum
- Vetro Brushed Aluminum

Camed Glass

- Classic Camed Insert
- Palisades
- Penrose
- Victorian
- Yorkshire

Classic Glass

- Bistro
- Prepared for Glass
- Prism
- Shadow

Etched Glass

- Crossroads
- Lisbon
- Modern Frosted Insert
- Prairie
- Satina

Layered Glass

- Antiquity
- Mirage
- Silk
- Wintersday

Mullion Doors

- Castlegate
- Evansville
- Hewitt
- Showcase Mullion
- Traditional Mullion

Specialty Inserts

- Chalkboard Insert

Textured Glass

- Cascade
- Dolace
- Modern Textured Insert
- Moire
- Ravenna
- Styx
- Vauxhall

Hurley Finishes

- ❖ Available as Standard
- Premium Upcharge

		Hurley Cherry Square	Hurley Maple Square
Autumn Blush	AB	❖	
Autumn Blush Suede	C21		
Autumn Blush W/Onyx Glaze	F81	●	
Autumn Blush W/Onyx Glaze Suede	F82		
Baltic	D78	❖	
Baltic Suede	D80	●	
Bonsai	E69		●
Bonsai Suede	E70		●
Burmese	E67		●
Burmese Suede	E68		●
Cannon Grey	D81	❖	
Cannon Grey Suede	D83	●	
Canvas	CV		●
Canvas Suede	D37		●
Canvas W/Cinder Highlight	E87		●
Canvas W/Cinder Highlight Suede	E88		●
Canvas W/Cocoa Highlight Suede	E90		●
Canvas W/Cocoa Highlight	E89		●
Chestnut	CN	❖	
Chestnut Suede	C23		
Chocolate	CC	❖	❖
Chocolate Suede	D87	●	●
Chocolate W/Ebony Glaze	F87	●	
Chocolate W/Ebony Glaze Suede	F88	●	
Cognac	CO	❖	❖
Cognac Suede	D85	●	●
ColorMatch	CC1		●
ColorMatch Suede	CC2		●
Dove White	DW		●
Dove White Suede	D40		●
Dove White W/Cinder Highlight	E93		●
Dove White W/Cinder Highlight Suede	E94		●
Dove White W/Cocoa Highlight	E95		●
Dove White W/Cocoa Highlight Suede	E96		●
Ginger	C88	❖	❖
Ginger Suede	C19	●	●
Ginger W/Sable Glaze	F91	●	●
Ginger W/Sable Glaze Suede	F92	●	●
Greyloft	B65		●
Greyloft Suede	D41		●
Greyloft W/Sable Highlight	E97		●
Greyloft W/Sable Highlight Suede	E98		●
Honey Spice	HS	❖	❖
Honey Spice Suede	D88	●	●
Husk	B82	❖	
Husk Suede	C13	●	
Kaffé	KA	❖	❖
Kaffé Suede	C27	●	●
Lagoon	E63		●
Lagoon Suede	E64		●
Linen	D90		●
Linen Suede	D93		●
Linen W/Cinder Highlight	E99		●
Linen W/Cinder Highlight Suede	F00		●
Linen W/Cocoa Highlight	F01		●
Linen W/Cocoa Highlight Suede	F02		●
Midnight	B69		●
Midnight Suede	D42		●
Midnight W/Onyx Highlight	F03		●
Midnight W/Onyx Highlight Suede	F04		●
Molasses	E58	❖	❖
Molasses Suede	E59	●	●
Moonshine	D98		●
Moonshine Suede	E02		●
Moonshine W/Cinder Highlight	F05		●

		Hurley Cherry Square	Hurley Maple Square
Moonshine W/Cinder Highlight Suede	F06		●
Moonshine W/Cocoa Highlight	F07		●
Moonshine W/Cocoa Highlight Suede	F08		●
Natural	NA	❖	❖
Natural Suede	D89	●	●
Onyx	A21		●
Onyx Suede	D44		●
Pebble Grey	B83		●
Pebble Grey Suede	D45		●
Pebble Grey W/Cocoa Highlight	F09		●
Pebble Grey W/Cocoa Highlight Suede	F10		●
Peppercorn	PC	❖	❖
Peppercorn Suede	D53	●	●
Praline	PR	❖	❖
Praline Suede	C78	●	●
Saddle	B81	❖	❖
Saddle Suede	C12	●	●
Slate	B64	❖	❖
Slate Suede	C72	●	●
Sunset	SU	❖	
Sunset Suede	D49	●	
Surfside	E65		●
Surfside Suede	E66		●
Unfinished	UF	❖	❖

Jade

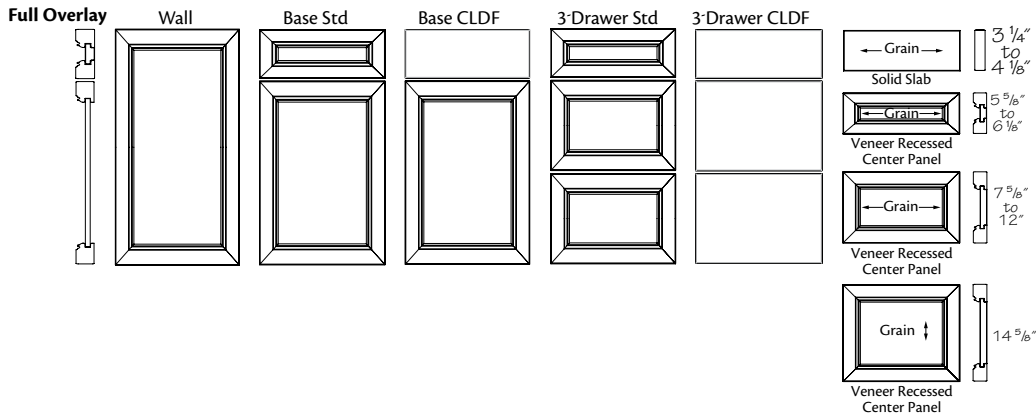
Full Overlay

AJ2C9 Cherry

Price Column O

AJ2M9 Maple

Price Column M



- Solid wood mitered door frame with 2 5/8" stiles and rails
- Square veneer recessed panel on wall and base doors
- Five-piece drawer front
- Classic Drawer Front (CLDF) option available
- 5 5/8" and 6 1/8" high drawer fronts have 2 1/4" stiles and rails
- Concealed hinge
- Decorative hardware is required

Decorative Doors & Inserts Available

Aluminum Frame Glass

- Fresco Brushed Aluminum
- Vetro Brushed Aluminum

Camed Glass

- Classic Camed Insert
- Palisades
- Penrose
- Victorian
- Yorkshire

Classic Glass

- Bistro
- Prepared for Glass
- Prism
- Shadow

Etched Glass

- Crossroads
- Lisbon
- Modern Frosted Insert
- Prairie
- Satina

Layered Glass

- Antiquity
- Mirage
- Silk
- Wintersday

Mullion Doors

- Castlegate
- Evansville
- Hewitt
- Showcase Mullion
- Traditional Mullion

Specialty Inserts

- Chalkboard Insert

Textured Glass

- Cascade
- Dolace
- Modern Textured Insert
- Moire
- Ravenna
- Styx
- Vauxhall

Jade Finishes

- ❖ Available as Standard
- Premium Upcharge

		AJ2C9	AJ2M9
	Jade Cherry		
	Jade Maple		
Autumn Blush	AB	❖	
Autumn Blush Suede	C21	●	
Autumn Blush W/Onyx Glaze	F81	●	
Autumn Blush W/Onyx Glaze Suede	F82	●	
Baltic	D78	❖	
Baltic Suede	D80	●	
Bonsai	E69		●
Bonsai Suede	E70		●
Burmese	E67		●
Burmese Suede	E68		●
Cannon Grey	D81	❖	
Cannon Grey Suede	D83	●	
Canvas	CV		●
Canvas Suede	D37		●
Canvas W/Cinder Highlight	E87		●
Canvas W/Cinder Highlight Suede	E88		●
Canvas W/Cocoa Highlight Suede	E90		●
Canvas W/Cocoa Highlight	E89		●
Chestnut	CN	❖	
Chestnut Suede	C23		●
Chocolate	CC	❖	❖
Chocolate Suede	D87	●	●
Chocolate W/Ebony Glaze	F87	●	
Chocolate W/Ebony Glaze Suede	F88	●	
Cognac	CO	❖	❖
Cognac Suede	D85	●	●
ColorMatch	CC1		●
ColorMatch Suede	CC2		●
Dove White	DW		●
Dove White Suede	D40		●
Dove White W/Cinder Highlight	E93		●
Dove White W/Cinder Highlight Suede	E94		●
Dove White W/Cocoa Highlight	E95		●
Dove White W/Cocoa Highlight Suede	E96		●
Ginger	C88	❖	❖
Ginger Suede	C19	●	●
Ginger W/Sable Glaze	F91	●	●
Ginger W/Sable Glaze Suede	F92	●	●
Greyloft	B65		●
Greyloft Suede	D41		●
Greyloft W/Sable Highlight	E97		●
Greyloft W/Sable Highlight Suede	E98		●
Honey Spice	HS	❖	❖
Honey Spice Suede	D88	●	●
Husk	B82	❖	
Husk Suede	C13	●	
Kaffé	KA	❖	❖
Kaffé Suede	C27	●	●
Lagoon	E63		●
Lagoon Suede	E64		●
Linen	D90		●
Linen Suede	D93		●
Linen W/Cinder Highlight	E99		●
Linen W/Cinder Highlight Suede	F00		●
Linen W/Cocoa Highlight	F01		●
Linen W/Cocoa Highlight Suede	F02		●
Midnight	B69		●
Midnight Suede	D42		●
Midnight W/Onyx Highlight	F03		●
Midnight W/Onyx Highlight Suede	F04		●
Molasses	E58	❖	❖
Molasses Suede	E59	●	●
Moonshine	D98		●
Moonshine Suede	E02		●
Moonshine W/Cinder Highlight	F05		●

		AJ2C9	AJ2M9
	Jade Cherry		
	Jade Maple		
Moonshine W/Cinder Highlight Suede	F06		●
Moonshine W/Cocoa Highlight	F07		●
Moonshine W/Cocoa Highlight Suede	F08		●
Natural	NA	❖	❖
Natural Suede	D89	●	●
Onyx	A21		●
Onyx Suede	D44		●
Pebble Grey	B83		●
Pebble Grey Suede	D45		●
Pebble Grey W/Cocoa Highlight	F09		●
Pebble Grey W/Cocoa Highlight Suede	F10		●
Peppercorn	PC	❖	❖
Peppercorn Suede	D53	●	●
Praline	PR	❖	❖
Praline Suede	C78	●	●
Saddle	B81	❖	❖
Saddle Suede	C12	●	●
Slate	B64	❖	❖
Slate Suede	C72	●	●
Sunset	SU	❖	
Sunset Suede	D49		●
Surfside	E65		●
Surfside Suede	E66		●
Unfinished	UF	❖	❖

Jarvis

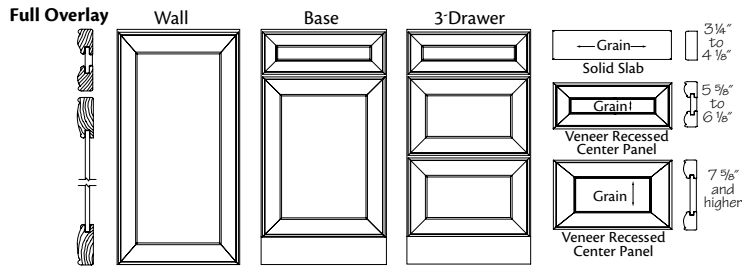
Full Overlay

AB5C9 Cherry

Price Column L

AB5M9 Maple

Price Column J



- Solid wood mitered door frame with 2 3/4" stiles and rails
- Square veneer recessed panel on wall and base doors
- Drawer front varies depending on height
- Wood grain orientation on drawer fronts is vertical, unless noted
- Concealed hinge
- Decorative hardware is required

Decorative Doors & Inserts Available

Aluminum Frame Glass

- Fresco Brushed Aluminum
- Vetro Brushed Aluminum

Camed Glass

- Classic Camed Insert
- Palisades
- Penrose
- Victorian
- Yorkshire

Classic Glass

- Bistro
- Prepared for Glass
- Prism
- Shadow

Etched Glass

- Crossroads
- Lisbon
- Modern Frosted Insert
- Prairie
- Satina

Layered Glass

- Antiquity
- Mirage
- Silk
- Wintersday

Mullion Doors

- Castlegate
- Evansville
- Hewitt
- Showcase Mullion
- Traditional Mullion

Specialty Inserts

- Chalkboard Insert

Textured Glass

- Cascade
- Dolace
- Modern Textured Insert
- Moire
- Ravenna
- Styx
- Vauxhall

Jarvis Finishes

- ❖ Available as Standard
- Premium Upcharge

		Jarvis Cherry Square	Jarvis Maple Square
Autumn Blush	AB	❖	❖
Autumn Blush Suede	C21	●	●
Autumn Blush W/Onyx Glaze	F81	●	●
Autumn Blush W/Onyx Glaze Suede	F82	●	●
Baltic	D78	❖	❖
Baltic Suede	D80	●	●
Bonsai	E69	●	●
Bonsai Suede	E70	●	●
Burmese	E67	●	●
Burmese Suede	E68	●	●
Cannon Grey	D81	❖	❖
Cannon Grey Suede	D83	●	●
Canvas	CV	●	●
Canvas Suede	D37	●	●
Canvas W/Cinder Highlight	E87	●	●
Canvas W/Cinder Highlight Suede	E88	●	●
Canvas W/Cocoa Highlight Suede	E90	●	●
Canvas W/Cocoa Highlight	E89	●	●
Chestnut	CN	❖	❖
Chestnut Suede	C23	●	●
Chocolate	CC	❖	❖
Chocolate Suede	D87	●	●
Chocolate W/Ebony Glaze	F87	●	●
Chocolate W/Ebony Glaze Suede	F88	●	●
Cognac	CO	❖	❖
Cognac Suede	D85	●	●
ColorMatch	CC1	●	●
ColorMatch Suede	CC2	●	●
Dove White	DW	●	●
Dove White Suede	D40	●	●
Dove White W/Cinder Highlight	E93	●	●
Dove White W/Cinder Highlight Suede	E94	●	●
Dove White W/Cocoa Highlight	E95	●	●
Dove White W/Cocoa Highlight Suede	E96	●	●
Ginger	C88	❖	❖
Ginger Suede	C19	●	●
Ginger W/Sable Glaze	F91	●	●
Ginger W/Sable Glaze Suede	F92	●	●
Greyloft	B65	●	●
Greyloft Suede	D41	●	●
Greyloft W/Sable Highlight	E97	●	●
Greyloft W/Sable Highlight Suede	E98	●	●
Honey Spice	HS	❖	❖
Honey Spice Suede	D88	●	●
Husk	B82	❖	❖
Husk Suede	C13	●	●
Kaffé	KA	❖	❖
Kaffé Suede	C27	●	●
Lagoon	E63	●	●
Lagoon Suede	E64	●	●
Linen	D90	●	●
Linen Suede	D93	●	●
Linen W/Cinder Highlight	E99	●	●
Linen W/Cinder Highlight Suede	F00	●	●
Linen W/Cocoa Highlight	F01	●	●
Linen W/Cocoa Highlight Suede	F02	●	●
Midnight	B69	●	●
Midnight Suede	D42	●	●
Midnight W/Onyx Highlight	F03	●	●
Midnight W/Onyx Highlight Suede	F04	●	●
Molasses	E58	❖	❖
Molasses Suede	E59	●	●
Moonshine	D98	●	●
Moonshine Suede	E02	●	●
Moonshine W/Cinder Highlight	F05	●	●
Moonshine W/Cinder Highlight Suede	F06	●	●

		Jarvis Cherry Square	Jarvis Maple Square
Moonshine W/Cocoa Highlight	F07	●	●
Moonshine W/Cocoa Highlight Suede	F08	●	●
Natural	NA	❖	❖
Natural Suede	D89	●	●
Onyx	A21	●	●
Onyx Suede	D44	●	●
Pebble Grey	B83	●	●
Pebble Grey Suede	D45	●	●
Pebble Grey W/Cocoa Highlight	F09	●	●
Pebble Grey W/Cocoa Highlight Suede	F10	●	●
Peppercorn	PC	❖	❖
Peppercorn Suede	D53	●	●
Praline	PR	❖	❖
Praline Suede	C78	●	●
Saddle	B81	❖	❖
Saddle Suede	C12	●	●
Slate	B64	❖	❖
Slate Suede	C72	●	●
Sunset	SU	❖	❖
Sunset Suede	D49	●	●
Surfside	E65	●	●
Surfside Suede	E66	●	●
Unfinished	UF	❖	❖

Jennings

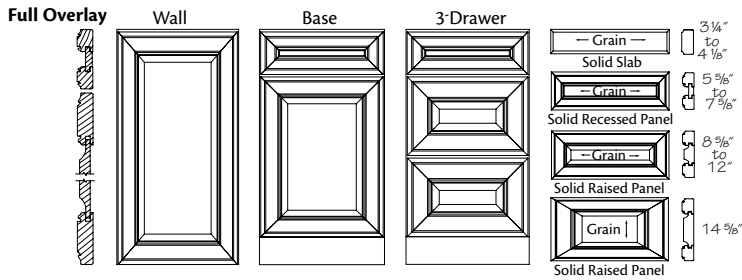
Full Overlay

AA5C9 Cherry

Price Column P

AA5M9 Maple

Price Column O



- Solid wood mitered door frame with 3" stiles and rails
- Square solid raised panel on wall and base doors
- Drawer front varies depending on height
- Concealed hinge
- Decorative hardware is required

Decorative Doors & Inserts Available

Aluminum Frame Glass

- Fresco Brushed Aluminum
- Vetro Brushed Aluminum

Camed Glass

- Classic Camed Insert
- Palisades
- Penrose
- Victorian
- Yorkshire

Classic Glass

- Bistro
- Prepared for Glass
- Prism
- Shadow

Etched Glass

- Crossroads
- Lisbon
- Modern Frosted Insert
- Prairie
- Satina

Layered Glass

- Antiquity
- Mirage
- Silk
- Wintersday

Mullion Doors

- Castlegate
- Evansville
- Hewitt
- Showcase Mullion
- Traditional Mullion

Specialty Inserts

- Chalkboard Insert

Textured Glass

- Cascade
- Dolace
- Modern Textured Insert
- Moire
- Ravenna
- Styx
- Vauxhall

Jennings Finishes

- ◆ Available as Standard
- Premium Upcharge

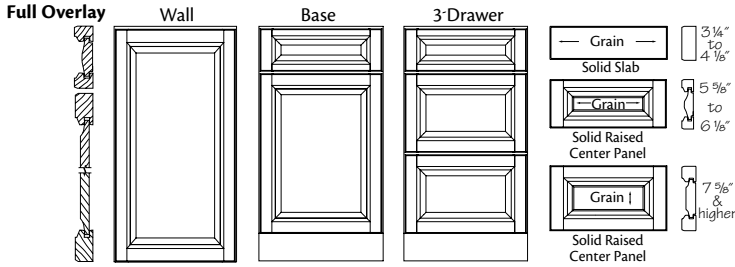
		Jennings Cherry Square	AA5C9	Jennings Maple Square	AA5M9
Aged Concrete	E06		●		
Aged Papyrus	E05		●		
Aged River Rock	E07		●		
Autumn Blush	AB	◆			
Autumn Blush Suede	C21	●			
Autumn Blush W/Onyx Glaze	F81	●			
Autumn Blush W/Onyx Glaze Suede	F82	●			
Baltic	D78	◆			
Baltic Suede	D80	●			
Bonsai	E69		●		
Bonsai Suede	E70		●		
Burmese	E67		●		
Burmese Suede	E68		●		
Cannon Grey	D81	◆			
Cannon Grey Suede	D83	●			
Canvas	CV		●		
Canvas Suede	D37		●		
Canvas W/Cinder Highlight	E87		●		
Canvas W/Cinder Highlight Suede	E88		●		
Canvas W/Cocoa Highlight Suede	E90		●		
Canvas W/Cocoa Highlight	E89		●		
Chestnut	CN	◆			
Chestnut Suede	C23		●		
Chocolate	CC	◆	◆		
Chocolate Suede	D87	●	●		
Chocolate W/Ebony Glaze	F87	●			
Chocolate W/Ebony Glaze Suede	F88	●			
Cognac	CO	◆	◆		
Cognac Suede	D85	●	●		
ColorMatch	CC1		●		
ColorMatch Suede	CC2		●		
Distressed Autumn Blush	C22	●			
Distressed Baltic	D79	●			
Distressed Cannon Grey	D82	●			
Distressed Chestnut	C24		●		
Distressed Chocolate	D86	●	●		
Distressed Cognac	D84	●	●		
Distressed Ginger	C20	●	●		
Distressed Husk	C15	●	●		
Distressed Kaffé	C28	●	●		
Distressed Molasses	E60	●	●		
Distressed Peppercorn	C86	●	●		
Distressed Praline	C79	●	●		
Distressed Saddle	C14	●	●		
Distressed Slate	C73	●	●		
Distressed Sunset	D50	●			
ColorMatch	CC1		●		
ColorMatch Suede	CC2		●		
Dove White	DW		●		
Dove White Suede	D40		●		
Dove White W/Cinder Highlight	E93		●		
Dove White W/Cinder Highlight Suede	E94		●		
Dove White W/Cocoa Highlight	E95		●		
Dove White W/Cocoa Highlight Suede	E96		●		
Ginger	C88	◆	◆		
Ginger Suede	C19	●	●		
Ginger W/Sable Glaze	F91	●	●		
Ginger W/Sable Glaze Suede	F92	●	●		
Greyloft	B65		●		
Greyloft Suede	D41		●		
Greyloft W/Sable Highlight	E97		●		
Greyloft W/Sable Highlight Suede	E98		●		
Honey Spice	HS	◆	◆		
Honey Spice Suede	D88	●	●		
Husk	B82	◆			
Husk Suede	C13	●			
Kaffé	KA	◆	◆		
Kaffé Suede	C27	●	●		

		Jennings Cherry Square	AA5C9	Jennings Maple Square	AA5M9
Lagoon	E63		●		
Lagoon Suede	E64		●		
Linen	D90		●		
Linen Suede	D93		●		
Linen W/Cinder Highlight	E99		●		
Linen W/Cinder Highlight Suede	F00		●		
Linen W/Cocoa Highlight	F01		●		
Linen W/Cocoa Highlight Suede	F02		●		
Midnight	B69		●		
Midnight Suede	D42		●		
Midnight W/Onyx Highlight	F03		●		
Midnight W/Onyx Highlight Suede	F04		●		
Molasses	E58	◆	◆		
Molasses Suede	E59	●	●		
Moonshine	D98		●		
Moonshine Suede	E02		●		
Moonshine W/Cinder Highlight	F05		●		
Moonshine W/Cinder Highlight Suede	F06		●		
Moonshine W/Cocoa Highlight	F07		●		
Moonshine W/Cocoa Highlight Suede	F08		●		
Natural	NA	◆	◆		
Natural Suede	D89	●	●		
Onyx	A21		●		
Onyx Suede	D44		●		
Pebble Grey	B83		●		
Pebble Grey Suede	D45		●		
Pebble Grey W/Cocoa Highlight	F09		●		
Pebble Grey W/Cocoa Highlight Suede	F10		●		
Peppercorn	PC	◆	◆		
Peppercorn Suede	D53	●	●		
Praline	PR	◆	◆		
Praline Suede	C78	●	●		
Saddle	B81	◆	◆		
Saddle Suede	C12	●	●		
Slate	B64	◆	◆		
Slate Suede	C72	●	●		
Sunset	SU	◆			
Sunset Suede	D49	●			
Surfside	E65		●		
Surfside Suede	E66		●		
Unfinished	UF	◆	◆		
Vintage Canvas	VC		●		
Vintage Canvas Suede	E42		●		
Vintage Dove White	VD		●		
Vintage Dove White Suede	E44		●		
Vintage Greyloft	B67		●		
Vintage Greyloft Suede	E45		●		
Vintage Linen	D91		●		
Vintage Linen Suede	E46		●		
Vintage Midnight	B71		●		
Vintage Midnight Suede	E47		●		
Vintage Moonshine	D99		●		
Vintage Moonshine Suede	E48		●		
Vintage Onyx	VO		●		
Vintage Onyx Suede	E50		●		
Vintage Pebble Grey	B86		●		
Vintage Pebble Grey Suede	E51		●		

Knoxville

Full Overlay

PKC9	Cherry	Price Column N
PKD9	EverCore®	Price Column J
PKM9	Maple	Price Column L



- Solid wood door frame with 2 3/16" stiles and rails, except EverCore®, which will be mechanically compressed wood fiber
- Square solid raised panel on wall and base doors, except EverCore®, which will be mechanically compressed wood fiber
- Drawer front varies depending on height
- Concealed hinge
- Decorative hardware is required

Decorative Doors & Inserts Available

Aluminum Frame Glass

- Fresco Brushed Aluminum
- Vetro Brushed Aluminum

Camed Glass

- Classic Camed Insert
- Palisades
- Penrose
- Victorian
- Yorkshire

Classic Glass

- Bistro
- Prepared for Glass
- Prism
- Shadow

Etched Glass

- Crossroads
- Lisbon
- Modern Frosted Insert
- Prairie
- Satina

Layered Glass

- Antiquity
- Mirage
- Silk
- Wintersday

Mullion Doors

- Castlegate ■
- Evansville ■
- Hewitt ■
- Palladia ■
- Raleigh ■
- Showcase Mullion ■
- Traditional Mullion ■

Specialty Inserts

- Chalkboard Insert

Textured Glass

- Cascade
- Dolace
- Modern Textured Insert
- Moire
- Ravenna
- Styx
- Vauxhall

■ Not available in EverCore® door styles

Knoxville Finishes

- ◆ Available as Standard
- Premium Upcharge

		PKC9	PKD9	PKM9
	Knoxville Cherry Square			
	Knoxville EverCore®			
	Knoxville Maple Square			
Aged Concrete	E06			●
Aged Papyrus	E05			●
Aged River Rock	E07			●
Autumn Blush	AB	◆		
Autumn Blush Suede	C21	●		
Autumn Blush W/Onyx Glaze	F81	●		
Autumn Blush W/Onyx Glaze Suede	F82	●		
Baltic	D78	◆		
Baltic Suede	D80	●		
Bonsai	E69		●	●
Bonsai Suede	E70		●	●
Burmese	E67		●	●
Burmese Suede	E68		●	●
Cannon Grey	D81	◆		
Cannon Grey Suede	D83	●		
Canvas	CV		●	●
Canvas Suede	D37		●	●
Canvas W/Cinder Highlight	E87			●
Canvas W/Cinder Highlight Suede	E88			●
Canvas W/Cocoa Highlight Suede	E90			●
Canvas W/Cocoa Highlight	E89			●
Chestnut	CN			◆
Chestnut Suede	C23			●
Chocolate	CC	◆		◆
Chocolate Suede	D87			●
Chocolate W/Ebony Glaze	F87			●
Chocolate W/Ebony Glaze Suede	F88			●
Cognac	CO	◆		◆
Cognac Suede	D85			●
ColorMatch	CC1		●	●
ColorMatch Suede	CC2		●	●
Distressed Autumn Blush	C22			●
Distressed Baltic	D79			●
Distressed Cannon Grey	D82			●
Distressed Chestnut	C24			●
Distressed Chocolate	D86			●
Distressed Cognac	D84			●
Distressed Ginger	C20			●
Distressed Husk	C15			●
Distressed Kaffé	C28			●
Distressed Molasses	E60			●
Distressed Peppercorn	C86			●
Distressed Praline	C79			●
Distressed Saddle	C14			●
Distressed Slate	C73			●
Distressed Sunset	D50			●
Dove White	DW		●	●
Dove White Suede	D40		●	●
Dove White W/Cinder Highlight	E93			●
Dove White W/Cinder Highlight Suede	E94			●
Dove White W/Cocoa Highlight	E95			●
Dove White W/Cocoa Highlight Suede	E96			●
Ginger	C88	◆		◆
Ginger Suede	C19		●	●
Ginger W/Sable Glaze	F91		●	●
Ginger W/Sable Glaze Suede	F92		●	●
Greyloft	B65		●	●
Greyloft Suede	D41		●	●
Greyloft W/Sable Highlight	E97			●
Greyloft W/Sable Highlight Suede	E98			●
Honey Spice	HS	◆		◆
Honey Spice Suede	D88			●
Husk	B82	◆		
Husk Suede	C13			●
Kaffé	KA	◆		◆
Kaffé Suede	C27			●

		PKC9	PKD9	PKM9
	Knoxville Cherry Square			
	Knoxville EverCore®			
	Knoxville Maple Square			
Lagoon	E63		●	●
Lagoon Suede	E64		●	●
Linen	D90		●	●
Linen Suede	D93		●	●
Linen W/Cinder Highlight	E99			●
Linen W/Cinder Highlight Suede	F00			●
Linen W/Cocoa Highlight	F01			●
Linen W/Cocoa Highlight Suede	F02			●
Midnight	B69		●	●
Midnight Suede	D42		●	●
Midnight W/Onyx Highlight	F03			●
Midnight W/Onyx Highlight Suede	F04			●
Molasses	E58	◆		◆
Molasses Suede	E59		●	●
Moonshine	D98		●	●
Moonshine Suede	E02		●	●
Moonshine W/Cinder Highlight	F05			●
Moonshine W/Cinder Highlight Suede	F06			●
Moonshine W/Cocoa Highlight	F07			●
Moonshine W/Cocoa Highlight Suede	F08			●
Natural	NA	◆		◆
Natural Suede	D89		●	●
Onyx	A21		●	●
Onyx Suede	D44		●	●
Pebble Grey	B83		●	●
Pebble Grey Suede	D45		●	●
Pebble Grey W/Cocoa Highlight	F09			●
Pebble Grey W/Cocoa Highlight Suede	F10			●
Peppercorn	PC	◆		◆
Peppercorn Suede	D53		●	●
Praline	PR	◆		◆
Praline Suede	C78		●	●
Saddle	B81	◆		◆
Saddle Suede	C12		●	●
Slate	B64	◆		◆
Slate Suede	C72		●	●
Sunset	SU	◆		◆
Sunset Suede	D49		●	●
Surfside	E65		●	●
Surfside Suede	E66		●	●
Unfinished	UF	◆		◆
Vintage Canvas	VC		●	
Vintage Canvas Suede	E42		●	
Vintage Dove White	VD		●	
Vintage Dove White Suede	E44		●	
Vintage Greyloft	B67		●	
Vintage Greyloft Suede	E45		●	
Vintage Linen	D91		●	
Vintage Linen Suede	E46		●	
Vintage Midnight	B71		●	
Vintage Midnight Suede	E47		●	
Vintage Moonshine	D99		●	
Vintage Moonshine Suede	E48		●	
Vintage Onyx	VO		●	
Vintage Onyx Suede	E50		●	
Vintage Pebble Grey	B86		●	
Vintage Pebble Grey Suede	E51		●	

Ladon

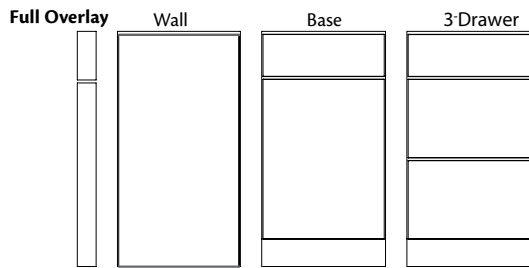
Full Overlay

AH2L9 Cannon Grey Wood-Grain Foil

Price Column D

AH2W9 Dove White Wood-Grain Foil

Price Column D



- Thermofoil on 3/4" thick MDF substrate
- Slab with square banded edges on wall & base doors
- Slab drawer front
- Wood grain orientation on door and drawer fronts is vertical; **not** book matched between pieces
- Concealed hinge
- Decorative hardware is required
- **Note:** Cabinet box and most accessories will have a coordinating smooth white finish for Dove White Wood-Grain Foil or an oak texture finish for Cannon Grey Wood-Grain Foil door styles; select accessories will be offered in matching foil material (refer to individual items for specific details)

Decorative Doors & Inserts Available

Aluminum Frame Glass

- Fresco Brushed Aluminum
- Vetro Brushed Aluminum

Ladon Finishes

- ❖ Available as Standard
- Premium Upcharge

Cannon Grey Wood Grain	D810	❖	Ladon Cannon Grey	AH2L9
Dove White Wood Grain	WH	❖	Ladon Dove White	AH2W9

Levan

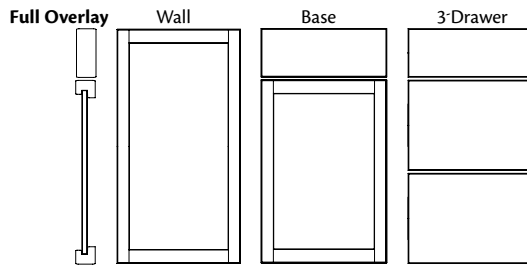
Full Overlay

AJ4C9 Cherry

Price Column F

AJ4M9 Maple

Price Column E



- Solid wood door frame with 1 3/4" stiles and rails on face (2 3/16" stiles and rails on back)
- Square veneer recessed panel on wall and base doors
- Slab drawer front
- Concealed hinge
- Decorative hardware is required
- **Note:** Integrated Decorative Ends, Glass doors and doors prepared for insert will default to Martel

Decorative Doors & Inserts Available

Aluminum Frame Glass

- Fresco Brushed Aluminum
- Vetro Brushed Aluminum

Camed Glass

- Classic Camed Insert
- Palisades
- Penrose
- Victorian
- Yorkshire

Classic Glass

- Bistro
- Prepared for Glass
- Prism
- Shadow

Etched Glass

- Crossroads
- Lisbon
- Modern Frosted Insert
- Prairie
- Satina

Layered Glass

- Antiquity
- Mirage
- Silk
- Wintersday

Mullion Doors

- Castlegate
- Evansville
- Hewitt
- Palladia
- Raleigh
- Showcase Mullion
- Traditional Mullion

Specialty Inserts

- Chalkboard Insert

Textured Glass

- Cascade
- Dolace
- Modern Textured Insert
- Moire
- Ravenna
- Styx
- Vauxhall

Levan Finishes

- ❖ Available as Standard
- Premium Upcharge

		Levan Cherry	Levan Maple
Autumn Blush	AB	❖	
Autumn Blush Suede	C21	●	
Autumn Blush W/Onyx Glaze	F81	●	
Autumn Blush W/Onyx Glaze Suede	F82	●	
Baltic	D78	❖	
Baltic Suede	D80	●	
Bonsai	E69	●	●
Bonsai Suede	E70	●	●
Burmese	E67	●	●
Burmese Suede	E68	●	●
Cannon Grey	D81	❖	
Cannon Grey Suede	D83	●	
Canvas	CV	●	●
Canvas Suede	D37	●	●
Canvas W/Cinder Highlight	E87	●	●
Canvas W/Cinder Highlight Suede	E88	●	●
Canvas W/Cocoa Highlight Suede	E90	●	●
Canvas W/Cocoa Highlight	E89	●	●
Chestnut	CN	❖	
Chestnut Suede	C23	●	●
Chocolate	CC	❖	❖
Chocolate Suede	D87	●	●
Chocolate W/Ebony Glaze	F87	●	●
Chocolate W/Ebony Glaze Suede	F88	●	●
Cognac	CO	❖	❖
Cognac Suede	D85	●	●
ColorMatch	CC1	●	●
ColorMatch Suede	CC2	●	●
Dove White	DW	●	●
Dove White Suede	D40	●	●
Dove White W/Cinder Highlight	E93	●	●
Dove White W/Cinder Highlight Suede	E94	●	●
Dove White W/Cocoa Highlight	E95	●	●
Dove White W/Cocoa Highlight Suede	E96	●	●
Ginger	C88	❖	❖
Ginger Suede	C19	●	●
Ginger W/Sable Glaze	F91	●	●
Ginger W/Sable Glaze Suede	F92	●	●
Greyloft	B65	●	●
Greyloft Suede	D41	●	●
Greyloft W/Sable Highlight	E97	●	●
Greyloft W/Sable Highlight Suede	E98	●	●
Honey Spice	HS	❖	❖
Honey Spice Suede	D88	●	●
Husk	B82	❖	
Husk Suede	C13	●	●
Kaffé	KA	❖	❖
Kaffé Suede	C27	●	●
Lagoon	E63	●	●
Lagoon Suede	E64	●	●
Linen	D90	●	●
Linen Suede	D93	●	●
Linen W/Cinder Highlight	E99	●	●
Linen W/Cinder Highlight Suede	F00	●	●
Linen W/Cocoa Highlight	F01	●	●
Linen W/Cocoa Highlight Suede	F02	●	●
Midnight	B69	●	●
Midnight Suede	D42	●	●
Midnight W/Onyx Highlight	F03	●	●
Midnight W/Onyx Highlight Suede	F04	●	●
Molasses	E58	❖	❖
Molasses Suede	E59	●	●
Moonshine	D98	●	●
Moonshine Suede	E02	●	●
Moonshine W/Cinder Highlight	F05	●	●
Moonshine W/Cinder Highlight Suede	F06	●	●
Moonshine W/Cocoa Highlight	F07	●	●

		Levan Cherry	Levan Maple
Moonshine W/Cocoa Highlight Suede	F08	●	●
Natural	NA	❖	❖
Natural Suede	D89	●	●
Onyx	A21	●	●
Onyx Suede	D44	●	●
Pebble Grey	B83	●	●
Pebble Grey Suede	D45	●	●
Pebble Grey W/Cocoa Highlight	F09	●	●
Pebble Grey W/Cocoa Highlight Suede	F10	●	●
Peppercorn	PC	❖	❖
Peppercorn Suede	D53	●	●
Praline	PR	❖	❖
Praline Suede	C78	●	●
Saddle	B81	❖	❖
Saddle Suede	C12	●	●
Slate	B64	❖	❖
Slate Suede	C72	●	●
Sunset	SU	❖	
Sunset Suede	D49	●	●
Surfside	E65	●	●
Surfside Suede	E66	●	●
Unfinished	UF	❖	❖

Lucca

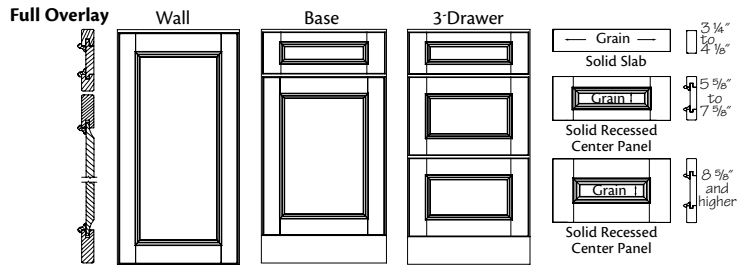
Full Overlay

AB3C9 Cherry

Price Column R

AB3M9 Maple

Price Column Q



- Solid wood door frame with 2 5/8" stiles and rails
- Square solid recessed panel on wall and base doors
- Applied decorative molding
- Drawer front varies depending on height
- Wood grain orientation on drawer fronts is vertical, unless noted
- Concealed hinge
- Decorative hardware is required

Decorative Doors & Inserts Available

Aluminum Frame Glass

- Fresco Brushed Aluminum
- Vetro Brushed Aluminum

Camed Glass

- Classic Camed Insert
- Palisades
- Penrose
- Victorian
- Yorkshire

Classic Glass

- Bistro
- Prepared for Glass
- Shadow

Etched Glass

- Crossroads
- Lisbon
- Prairie
- Satina

Layered Glass

- Antiquity
- Mirage
- Silk
- Wintersday

Mullion Doors

- Castlegate
- Evansville
- Hewitt
- Showcase Mullion
- Traditional Mullion

Specialty Inserts

- Chalkboard Insert

Textured Glass

- Cascade
- Dolace
- Modern Textured Insert
- Moire
- Ravenna
- Styx
- Vauxhall

Lucca Finishes

- ◆ Available as Standard
- Premium Upcharge

		Lucca Cherry	Lucca Maple
Aged Concrete	E06	●	●
Aged Papyrus	E05	●	●
Aged River Rock	E07	●	●
Autumn Blush	AB	◆	
Autumn Blush Suede	C21	●	
Autumn Blush W/Onyx Glaze	F81	●	
Autumn Blush W/Onyx Glaze Suede	F82	●	
Baltic	D78	◆	
Baltic Suede	D80	●	
Bonsai	E69	●	●
Bonsai Suede	E70	●	●
Burmese	E67	●	●
Burmese Suede	E68	●	●
Cannon Grey	D81	◆	
Cannon Grey Suede	D83	●	
Canvas	CV	●	●
Canvas Suede	D37	●	●
Canvas W/Cinder Highlight	E87	●	●
Canvas W/Cinder Highlight Suede	E88	●	●
Canvas W/Cocoa Highlight Suede	E90	●	●
Canvas W/Cocoa Highlight	E89	●	●
Chestnut	CN	◆	
Chestnut Suede	C23	●	●
Chocolate	CC	◆	◆
Chocolate Suede	D87	●	●
Chocolate W/Ebony Glaze	F87	●	
Chocolate W/Ebony Glaze Suede	F88	●	
Cognac	CO	◆	◆
Cognac Suede	D85	●	●
ColorMatch	CC1	●	●
ColorMatch Suede	CC2	●	●
Distressed Autumn Blush	C22	●	
Distressed Baltic	D79	●	
Distressed Cannon Grey	D82	●	
Distressed Chestnut	C24	●	●
Distressed Chocolate	D86	●	●
Distressed Cognac	D84	●	●
Distressed Ginger	C20	●	●
Distressed Husk	C15	●	●
Distressed Kaffé	C28	●	●
Distressed Molasses	E60	●	●
Distressed Peppercorn	C86	●	●
Distressed Praline	C79	●	●
Distressed Saddle	C14	●	●
Distressed Slate	C73	●	●
Distressed Sunset	D50	●	
Dove White	DW	●	●
Dove White Suede	D40	●	●
Dove White W/Cinder Highlight	E93	●	●
Dove White W/Cinder Highlight Suede	E94	●	●
Dove White W/Cocoa Highlight	E95	●	●
Dove White W/Cocoa Highlight Suede	E96	●	●
Ginger	C88	◆	◆
Ginger Suede	C19	●	●
Ginger W/Sable Glaze	F91	●	●
Ginger W/Sable Glaze Suede	F92	●	●
Greyloft	B65	●	●
Greyloft Suede	D41	●	●
Greyloft W/Sable Highlight	E97	●	●
Greyloft W/Sable Highlight Suede	E98	●	●
Honey Spice	HS	◆	◆
Honey Spice Suede	D88	●	●
Husk	B82	◆	
Husk Suede	C13	●	
Kaffé	KA	◆	◆
Kaffé Suede	C27	●	●
Lagoon	E63	●	●
Lagoon Suede	E64	●	●

		Lucca Cherry	Lucca Maple
Linen	D90	●	●
Linen Suede	D93	●	●
Linen W/Cinder Highlight	E99	●	●
Linen W/Cinder Highlight Suede	F00	●	●
Linen W/Cocoa Highlight	F01	●	●
Linen W/Cocoa Highlight Suede	F02	●	●
Midnight	B69	●	●
Midnight Suede	D42	●	●
Midnight W/Onyx Highlight	F03	●	●
Midnight W/Onyx Highlight Suede	F04	●	●
Molasses	E58	◆	◆
Molasses Suede	E59	●	●
Moonshine	D98	●	●
Moonshine Suede	E02	●	●
Moonshine W/Cinder Highlight	F05	●	●
Moonshine W/Cinder Highlight Suede	F06	●	●
Moonshine W/Cocoa Highlight	F07	●	●
Moonshine W/Cocoa Highlight Suede	F08	●	●
Natural	NA	◆	◆
Natural Suede	D89	●	●
Onyx	A21	●	●
Onyx Suede	D44	●	●
Pebble Grey	B83	●	●
Pebble Grey Suede	D45	●	●
Pebble Grey W/Cocoa Highlight	F09	●	●
Pebble Grey W/Cocoa Highlight Suede	F10	●	●
Peppercorn	PC	◆	◆
Peppercorn Suede	D53	●	●
Praline	PR	◆	◆
Praline Suede	C78	●	●
Saddle	B81	◆	◆
Saddle Suede	C12	●	●
Slate	B64	◆	◆
Slate Suede	C72	●	●
Sunset	SU	◆	
Sunset Suede	D49	●	●
Surfside	E65	●	●
Surfside Suede	E66	●	●
Unfinished	UF	◆	◆
Vintage Canvas	VC	●	●
Vintage Canvas Suede	E42	●	●
Vintage Dove White	VD	●	●
Vintage Dove White Suede	E44	●	●
Vintage Greyloft	B67	●	●
Vintage Greyloft Suede	E45	●	●
Vintage Linen	D91	●	●
Vintage Linen Suede	E46	●	●
Vintage Midnight	B71	●	●
Vintage Midnight Suede	E47	●	●
Vintage Moonshine	D99	●	●
Vintage Moonshine Suede	E48	●	●
Vintage Onyx	VO	●	●
Vintage Onyx Suede	E50	●	●
Vintage Pebble Grey	B86	●	●
Vintage Pebble Grey Suede	E51	●	●

Martel

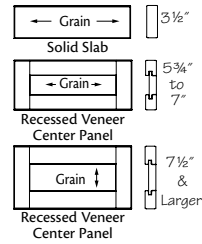
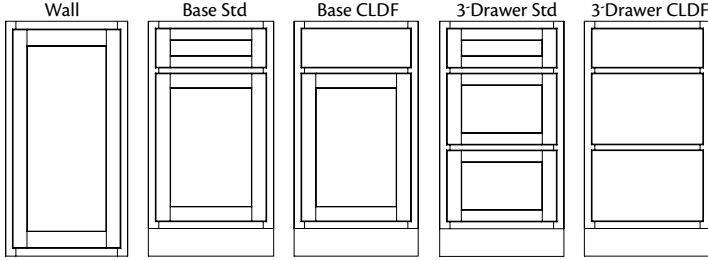
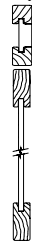
1/2" Overlay

AE8C9	Cherry	Price Column E
AE8D9	EverCore®	Price Column B
AE8H9	Hickory	Price Column B
AE8M9	Maple	Price Column D
AE8O9	Oak	Price Column B
AE8A9	Rustic Alder	Price Column D

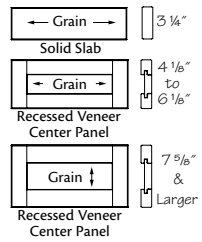
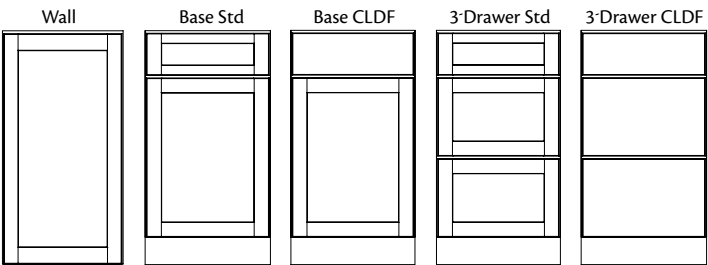
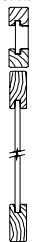
Full Overlay

MPC9	Cherry	Price Column I
MPD9	EverCore®	Price Column E
MPH9	Hickory	Price Column E
MPM9	Maple	Price Column G
MPO9	Oak	Price Column E
MPA9	Rustic Alder	Price Column G

1/2" Overlay



Full Overlay



- Solid wood door frame with 2 3/16" stiles and rails, except EverCore®, which will be mechanically compressed wood fiber
- Square veneer recessed panels on wall and base doors, except EverCore®, which will be mechanically compressed wood fiber
- Grain direction does **not** apply to EverCore® doors
- Five-piece drawer front
- Classic Drawer Front (CLDF) option available
- Concealed hinge
- Decorative Hardware is required for full overlay
- **Note:** When CLDF option is applied, all drawer fronts will be slab
- **Note:** Rustic door styles feature knotty or character wood. It contains character marks such as heartwood, worm holes and mineral streaks of varying size. Components of these doors are chosen at random, with the appearance of each individual door varying widely from very rustic to relatively clear and unmarked

Decorative Doors & Inserts Available

Aluminum Frame Glass

- Fresco Brushed Aluminum ■
- Vetro Brushed Aluminum ■

Camed Glass

- Classic Camed Insert ■
- Palisades
- Penrose
- Victorian
- Yorkshire

Classic Glass

- Bistro
- Prepared for Glass
- Prism
- Shadow

Etched Glass

- Crossroads
- Lisbon
- Modern Frosted Insert ■
- Prairie
- Satina

Layered Glass

- Antiquity
- Mirage
- Silk
- Wintersday

Mullion Doors

- Castlegate ■ ▲ ★
- Evansville ■ ▲ ★
- Hewitt ■ ▲ ★
- Palladia ■ ● ★
- Raleigh ■ ● ★
- Showcase Mullion ▲ ★
- Traditional Mullion ▲ ★

Specialty Inserts

- Chalkboard Insert

Textured Glass

- Cascade
- Dolace
- Modern Textured Insert ■
- Moire
- Ravenna
- Styx
- Vauxhall

- Only available in full overlay door styles
- ▲ Only available in Cherry, Hickory, Maple & Oak door styles
- ★ **Not** available in Rustic door styles
- Only available in Cherry & Maple door styles

Martel Finishes

- ❖ Available as Standard
- Premium Upcharge

		MPC9	AE8C9	MPD9	AE8D9	MPH9	AE8H9	MPM9	AE8M9	MPO9	AE8O9	AE8A9	MPA9
		Martel Cherry - Full	Martel Cherry - Half	Martel EverCore® - Full	Martel EverCore® - Half	Martel Hickory - Full	Martel Hickory - Half	Martel Maple - Full	Martel Maple - Half	Martel Oak - Full	Martel Oak - Half	Martel Rustic Alder - Half	Martel Rustic Alder - Full
Autumn Blush	AB	❖	❖							❖	❖	❖	❖
Autumn Blush Suede	C21	●	●										●
Autumn Blush W/Onyx Glaze	F81	●	●							●	●	●	●
Autumn Blush W/Onyx Glaze Suede	F82	●	●										●
Baltic	D78	❖	❖							❖	❖	❖	❖
Baltic Suede	D80	●	●							●	●	●	●
Bonsai	E69			●	●			●	●				
Bonsai Suede	E70			●	●			●	●				
Burmese	E67			●	●			●	●				
Burmese Suede	E68			●	●			●	●				
Cannon Grey	D81	❖	❖							❖	❖	❖	❖
Cannon Grey Suede	D83	●	●							●	●	●	●
Canvas	CV			●	●			●	●				
Canvas Suede	D37			●	●			●	●				
Canvas W/Cinder Highlight	E87							●	●				
Canvas W/Cinder Highlight Suede	E88							●	●				
Canvas W/Cocoa Highlight Suede	E90							●	●				
Canvas W/Cocoa Highlight	E89							●	●				
Chestnut	CN							❖	❖				
Chestnut Suede	C23							●	●				
Chocolate	CC	❖	❖					❖	❖			❖	❖
Chocolate Suede	D87	●	●					●	●			●	●
Chocolate W/Ebony Glaze	F87	●	●									●	●
Chocolate W/Ebony Glaze Suede	F88	●	●									●	●
Cognac	CO	❖	❖			❖	❖	❖	❖	❖	❖	❖	❖
Cognac Suede	D85	●	●			●	●	●	●	●	●	●	●
ColorMatch	CC1			●	●			●	●				
ColorMatch Suede	CC2			●	●			●	●				
Dove White	DW			●	●			●	●				
Dove White Suede	D40			●	●			●	●				
Dove White W/Cinder Highlight	E93							●	●				
Dove White W/Cinder Highlight Suede	E94							●	●				
Dove White W/Cocoa Highlight	E95							●	●				
Dove White W/Cocoa Highlight Suede	E96							●	●				
Fawn	FN									❖	❖		
Fawn Suede	D51									●	●		
Ginger	C88	❖	❖			❖	❖	❖	❖	❖	❖	❖	❖
Ginger Suede	C19	●	●			●	●	●	●	●	●	●	●
Ginger W/Sable Glaze	F91	●	●			●	●	●	●	●	●	●	●
Ginger W/Sable Glaze Suede	F92	●	●			●	●	●	●	●	●	●	●
Greyloft	B65			●	●			●	●				
Greyloft Suede	D41			●	●			●	●				
Greyloft W/Sable Highlight	E97							●	●				
Greyloft W/Sable Highlight Suede	E98							●	●				
Honey Spice	HS	❖	❖			❖	❖	❖	❖	❖	❖	❖	❖
Honey Spice Suede	D88	●	●			●	●	●	●	●	●	●	●
Husk	B82	❖	❖			❖	❖			❖	❖	❖	❖
Husk Suede	C13	●	●			●	●			●	●	●	●
Kaffé	KA	❖	❖			❖	❖	❖	❖	❖	❖	❖	❖
Kaffé Suede	C27	●	●			●	●	●	●	●	●	●	●
Lagoon	E63			●	●			●	●				
Lagoon Suede	E64			●	●			●	●				
Linen	D90			●	●			●	●				
Linen Suede	D93			●	●			●	●				
Linen W/Cinder Highlight	E99							●	●				
Linen W/Cinder Highlight Suede	F00							●	●				
Linen W/Cocoa Highlight	F01							●	●				
Linen W/Cocoa Highlight Suede	F02							●	●				
Midnight	B69			●	●			●	●				
Midnight Suede	D42			●	●			●	●				

Martel Finishes continued

- ❖ Available as Standard
- Premium Upcharge

	MPC9	AE8C9	MPD9	AE8D9	MPH9	AE8H9	MPM9	AE8M9	MPO9	AE8O9	AE8A9	MPA9
	Martel Cherry - Full	Martel Cherry - Half	Martel EverCore® - Full	Martel EverCore® - Half	Martel Hickory - Full	Martel Hickory - Half	Martel Maple - Full	Martel Maple - Half	Martel Oak - Full	Martel Oak - Half	Martel Rustic Alder - Half	Martel Rustic Alder - Full
Midnight W/Onyx Highlight	F03						●	●				
Midnight W/Onyx Highlight Suede	F04						●	●				
Molasses	E58	❖	❖		❖	❖	❖	❖	❖	❖	❖	❖
Molasses Suede	E59	●	●		●	●	●	●	●	●	●	●
Moonshine	D98		●	●			●	●				
Moonshine Suede	E02		●	●			●	●				
Moonshine W/Cinder Highlight	F05						●	●				
Moonshine W/Cinder Highlight Suede	F06						●	●				
Moonshine W/Cocoa Highlight	F07						●	●				
Moonshine W/Cocoa Highlight Suede	F08						●	●				
Natural	NA	❖	❖		❖	❖	❖	❖	❖	❖	❖	❖
Natural Suede	D89	●	●		●	●	●	●	●	●	●	●
Onyx	A21		●	●			●	●	●	●		
Onyx Suede	D44		●	●			●	●	●	●		
Pebble Grey	B83		●	●			●	●				
Pebble Grey Suede	D45		●	●			●	●				
Pebble Grey W/Cocoa Highlight	F09						●	●				
Pebble Grey W/Cocoa Highlight Suede	F10						●	●				
Peppercorn	PC	❖	❖		❖	❖	❖	❖	❖	❖	❖	❖
Peppercorn Suede	D53	●	●				●	●	●	●	●	●
Praline	PR	❖	❖		❖	❖	❖	❖	❖	❖	❖	❖
Praline Suede	C78	●	●		●	●	●	●	●	●	●	●
Saddle	B81	❖	❖		❖	❖	❖	❖	❖	❖	❖	❖
Saddle Suede	C12	●	●		●	●	●	●	●	●	●	●
Slate	B64	❖	❖		❖	❖	❖	❖	❖	❖		
Slate Suede	C72	●	●		●	●	●	●	●	●		
Sunset	SU	❖	❖		❖	❖					❖	❖
Sunset Suede	D49	●	●		●	●					●	●
Surfside	E65		●	●			●	●				
Surfside Suede	E66		●	●			●	●				
Unfinished	UF	❖	❖		❖	❖	❖	❖	❖	❖	❖	❖

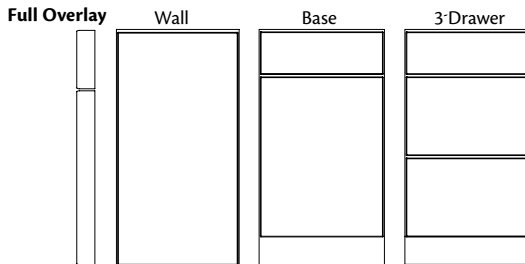
Notes

Maxum

Full Overlay

AG7L9 High-Gloss Foil

Price Column G



- Thermofoil on 3/4" thick MDF substrate
- Slab with square edges on wall & base doors
- Door edges are banded with matching high-gloss material
- Door backs have a corresponding color in a matte finish
- Slab drawer front
- Concealed hinge
- Decorative hardware is required
- **Note:** The cabinet interior, exterior and face frame supplied in coordinating matte sheen finish as standard
- **Note:** Accessories, except those available in high-gloss, will also have a coordinating matte sheen finish



We recommend ordering Specialty Panels (SPL), Filler Overlays (BFOL, DFOL, TFOL, VFOL, WFOL), Small Universal Molding (SUM8) and Large Universal Molding (LUM8) for a finished, high gloss look

Decorative Doors & Inserts Available

Aluminum Frame Glass

- Fresco Brushed Aluminum
- Vetro Brushed Aluminum

Maxum Finishes

- ❖ Available as Standard
- Premium Upcharge

Dove White High-Gloss D58

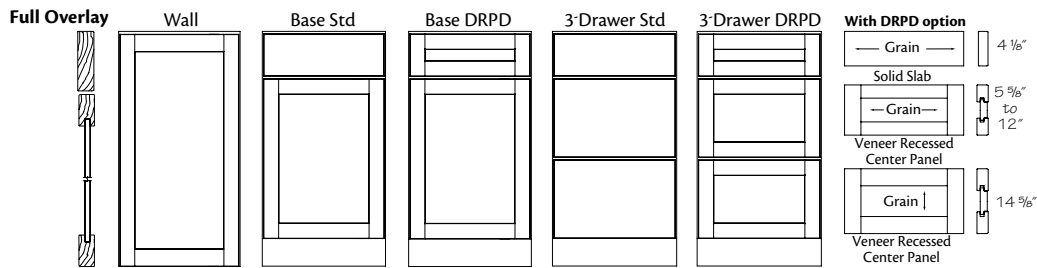
AG7L9
Maxum
❖

Mesa

Full Overlay

MRO9 Quartersawn Oak

Price Column J



- Solid wood door frame with 2 1/4" stiles and rails
- Square quartersawn Oak veneer recessed center panel
- Solid quartersawn Oak slab drawer fronts
- Deluxe Recessed Panel Drawer (DRPD) front available
- Concealed hinge
- Decorative hardware is required

Decorative Doors & Inserts Available

Aluminum Frame Glass

- Fresco Brushed Aluminum
- Vetro Brushed Aluminum

Camed Glass

- Classic Camed Insert
- Palisades
- Penrose
- Victorian
- Yorkshire

Classic Glass

- Bistro
- Prepared for Glass
- Prism
- Shadow

Etched Glass

- Crossroads
- Lisbon
- Modern Frosted Insert
- Prairie
- Satina

Layered Glass

- Antiquity
- Mirage
- Silk
- Wintersday

Mullion Doors

- Castlegate
- Evansville
- Hewitt
- Showcase Mullion
- Traditional Mullion

Specialty Inserts

- Chalkboard Insert

Textured Glass

- Cascade
- Dolace
- Modern Textured Insert
- Moire
- Ravenna
- Styx
- Vauxhall

Mesa Finishes

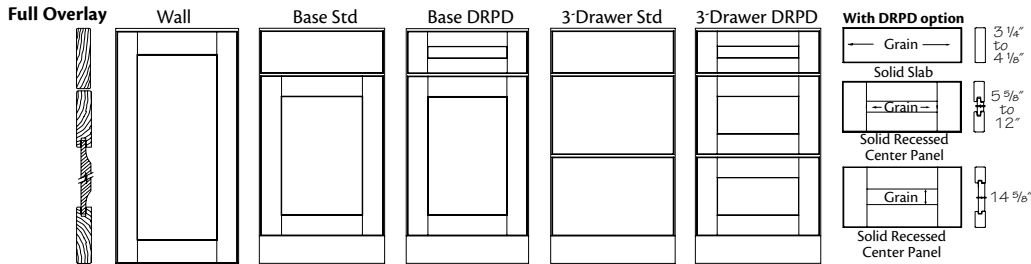
- ❖ Available as Standard
- Premium Upcharge

			MRO9
			Mesa Quartersawn Oak
Autumn Blush	AB	❖	
Autumn Blush Suede	C21	●	
Autumn Blush W/Onyx Glaze	F81	●	
Autumn Blush W/Onyx Glaze Suede	F82	●	
Baltic	D78	❖	
Baltic Suede	D80	●	
Cannon Grey	D81	❖	
Cannon Grey Suede	D83	●	
Cognac	CO	❖	
Cognac Suede	D85	●	
Fawn	FN	❖	
Fawn Suede	D51	●	
Ginger	C88	❖	
Ginger Suede	C19	●	
Ginger W/Sable Glaze	F91	●	
Ginger W/Sable Glaze Suede	F92	●	
Honey Spice	HS	❖	
Honey Spice Suede	D88	●	
Husk	B82	❖	
Husk Suede	C13	●	
Kaffé	KA	❖	
Kaffé Suede	C27	●	
Molasses	E58	❖	
Molasses Suede	E59	●	
Natural	NA	❖	
Natural Suede	D89	●	
Onyx	A21	●	
Onyx Suede	D44	●	
Peppercorn	PC	❖	
Peppercorn Suede	D53	●	
Praline	PR	❖	
Praline Suede	C78	●	
Saddle	B81	❖	
Saddle Suede	C12	●	
Slate	B64	❖	
Slate Suede	C72	●	
Unfinished	UF	❖	

Montresano

Full Overlay

DRHC9	Cherry	Price Column N
DRHD9	EverCore®	Price Column I
DRHM9	Maple	Price Column K
AB209	Quartersawn Oak	Price Column J
DRHA9	Rustic Alder	Price Column K



- Solid wood door frame with 3" stiles and rails, except EverCore®, which will be mechanically compressed wood fiber
- Square solid recessed panel on wall and base doors, except EverCore®, which will be mechanically compressed wood fiber
- Slab drawer front
- Deluxe Recessed Panel Drawer (DRPD) front available
- Concealed hinge
- Decorative hardware is required
- **Note:** Rustic door styles feature knotty or character wood. It contains character marks such as heartwood, worm holes and mineral streaks of varying size. Components of these doors are chosen at random, with the appearance of each individual door varying widely from very rustic to relatively clear and unmarked

Decorative Doors & Inserts Available

Aluminum Frame Glass

- Fresco Brushed Aluminum
- Vetro Brushed Aluminum

Camed Glass

- Classic Camed Insert
- Palisades
- Penrose
- Victorian
- Yorkshire

Classic Glass

- Bistro
- Prepared for Glass
- Prism
- Shadow

Etched Glass

- Crossroads
- Lisbon
- Modern Frosted Insert
- Prairie
- Satina

Layered Glass

- Antiquity
- Mirage
- Silk
- Wintersday

Mullion Doors

- Castlegate ★
- Evansville ★
- Hewitt ★
- Showcase Mullion ★
- Traditional Mullion★

Specialty Inserts

- Chalkboard Insert

Textured Glass

- Cascade
- Dolace
- Modern Textured Insert
- Moire
- Ravenna
- Styx
- Vauxhall

★ **Not** available in Rustic or Evercore® door styles

Montresano Finishes

- ◆ Available as Standard
- Premium Upcharge

		DRHC9	DRHD9	DRHM9	AB2O9	DRHA9
		Montresano Cherry	Montresano EverCore®	Montresano Maple	Montresano Quartersawn Oak	Montresano Rustic Alder
Aged Concrete	E06		●			
Aged Papyrus	E05		●			
Aged River Rock	E07		●			
Autumn Blush	AB	◆		◆	◆	
Autumn Blush Suede	C21	●		●	●	
Autumn Blush W/Onyx Glaze	F81	●		●	●	
Autumn Blush W/Onyx Glaze Suede	F82	●		●	●	
Baltic	D78	◆		◆	◆	
Baltic Suede	D80	●		●	●	
Bonsai	E69		●	●		
Bonsai Suede	E70		●	●		
Burmese	E67		●	●		
Burmese Suede	E68		●	●		
Cannon Grey	D81	◆		◆	◆	
Cannon Grey Suede	D83	●		●	●	
Cannon Grey Wood Grain	D81O					
Canvas	CV		●	●		
Canvas Suede	D37		●	●		
Canvas W/Cinder Highlight	E87		●			
Canvas W/Cinder Highlight Suede	E88		●			
Canvas W/Cocoa Highlight Suede	E90		●			
Canvas W/Cocoa Highlight	E89		●			
Chestnut	CN		◆			
Chestnut Suede	C23		●			
Chocolate	CC	◆		◆	◆	
Chocolate Suede	D87	●		●	●	
Chocolate W/Ebony Glaze	F87	●		●	●	
Chocolate W/Ebony Glaze Suede	F88	●		●	●	
Cognac	CO	◆		◆	◆	
Cognac Suede	D85	●		●	●	
ColorMatch	CC1		●	●		
ColorMatch Suede	CC2		●	●		
Distressed Autumn Blush	C22	●		●	●	
Distressed Baltic	D79	●		●	●	
Distressed Cannon Grey	D82	●		●	●	
Distressed Chestnut	C24		●			
Distressed Chocolate	D86	●		●	●	
Distressed Cognac	D84	●		●	●	
Distressed Fawn	D52			●		
Distressed Ginger	C20	●		●	●	
Distressed Husk	C15	●		●	●	
Distressed Kaffé	C28	●		●	●	
Distressed Molasses	E60	●		●	●	
Distressed Peppercorn	C86	●		●	●	
Distressed Praline	C79	●		●	●	
Distressed Saddle	C14	●		●	●	
Distressed Slate	C73	●		●	●	
Distressed Sunset	D50	●		●	●	
Dove White	DW		●	●		
Dove White Suede	D40		●	●		
Dove White W/Cinder Highlight	E93		●			
Dove White W/Cinder Highlight Suede	E94		●			
Dove White W/Cocoa Highlight	E95		●			
Dove White W/Cocoa Highlight Suede	E96		●			
Fawn	FN			◆		
Fawn Suede	D51			●		
Ginger	C88	◆		◆	◆	
Ginger Suede	C19	●		●	●	
Ginger W/Sable Glaze	F91	●		●	●	
Ginger W/Sable Glaze Suede	F92	●		●	●	
Greyloft	B65		●	●		
Greyloft Suede	D41		●	●		
Greyloft W/Sable Highlight	E97		●			
Greyloft W/Sable Highlight Suede	E98		●			
Honey Spice	HS	◆		◆	◆	

		DRHC9	DRHD9	DRHM9	AB2O9	DRHA9
		Montresano Cherry	Montresano EverCore®	Montresano Maple	Montresano Quartersawn Oak	Montresano Rustic Alder
Honey Spice Suede	D88	●		●	●	
Husk	B82	◆		◆	◆	
Husk Suede	C13	●		●	●	
Kaffé	KA	◆		◆	◆	
Kaffé Suede	C27	●		●	●	
Lagoon	E63		●	●		
Lagoon Suede	E64		●	●		
Linen	D90		●	●		
Linen Suede	D93		●	●		
Linen W/Cinder Highlight	E99		●			
Linen W/Cinder Highlight Suede	F00		●			
Linen W/Cocoa Highlight	F01		●			
Linen W/Cocoa Highlight Suede	F02		●			
Midnight	B69		●	●		
Midnight Suede	D42		●	●		
Midnight W/Onyx Highlight	F03		●			
Midnight W/Onyx Highlight Suede	F04		●			
Molasses	E58	◆		◆	◆	
Molasses Suede	E59	●		●	●	
Moonshine	D98		●	●		
Moonshine Suede	E02		●	●		
Moonshine W/Cinder Highlight	F05		●			
Moonshine W/Cinder Highlight Suede	F06		●			
Moonshine W/Cocoa Highlight	F07		●			
Moonshine W/Cocoa Highlight Suede	F08		●			
Natural	NA	◆		◆	◆	
Natural Suede	D89	●		●	●	
Onyx	A21		●	●	●	
Onyx Suede	D44		●	●	●	
Pebble Grey	B83		●	●		
Pebble Grey Suede	D45		●	●		
Pebble Grey W/Cocoa Highlight	F09		●			
Pebble Grey W/Cocoa Highlight Suede	F10		●			
Peppercorn	PC	◆		◆	◆	
Peppercorn Suede	D53	●		●	●	
Praline	PR	◆		◆	◆	
Praline Suede	C78	●		●	●	
Saddle	B81	◆		◆	◆	
Saddle Suede	C12	●		●	●	
Slate	B64	◆		◆	◆	
Slate Suede	C72	●		●	●	
Sunset	SU	◆		◆		
Sunset Suede	D49	●		●	●	
Surfside	E65		●	●		
Surfside Suede	E66		●	●		
Unfinished	UF	◆		◆	◆	
Vintage Canvas	VC	●		●		
Vintage Canvas Suede	E42	●		●		
Vintage Dove White	VD	●		●		
Vintage Dove White Suede	E44	●		●		
Vintage Greyloft	B67	●		●		
Vintage Greyloft Suede	E45	●		●		
Vintage Linen	D91	●		●		
Vintage Linen Suede	E46	●		●		

Montresano Finishes continued

❖ Available as Standard

● Premium Upcharge

		DRHC9	DRHD9	DRHM9	AB2O9	DRHA9
		Montresano Cherry	Montresano EverCore®	Montresano Maple	Montresano Quartersawn Oak	Montresano Rustic Alder
Vintage Midnight	B71	●				
Vintage Midnight Suede	E47	●				
Vintage Moonshine	D99	●				
Vintage Moonshine Suede	E48	●				
Vintage Onyx	VO	●				
Vintage Onyx Suede	E50	●				
Vintage Pebble Grey	B86	●				
Vintage Pebble Grey Suede	E51	●				

Notes

Rathbun

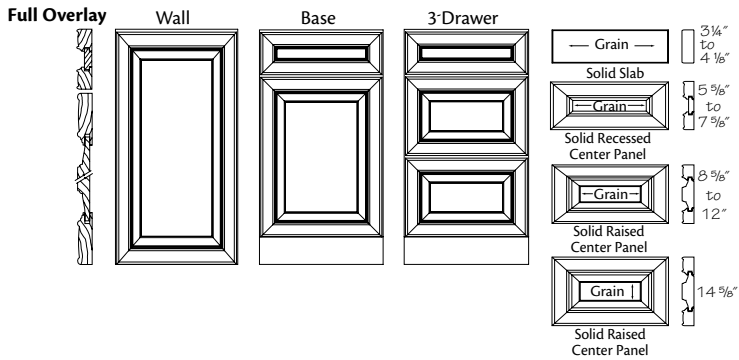
Full Overlay

RTC9 Cherry

Price Column O

RTM9 Maple

Price Column N



- Solid wood mitered door frame with 2 3/8" stiles and rails
- Square solid raised panel on wall and base doors
- Drawer front varies depending on height
- Concealed hinge
- Decorative hardware is required

Decorative Doors & Inserts Available

Aluminum Frame Glass

- Fresco Brushed Aluminum
- Vetro Brushed Aluminum

Camed Glass

- Classic Camed Insert
- Palisades
- Penrose
- Victorian
- Yorkshire

Classic Glass

- Bistro
- Prepared for Glass
- Prism
- Shadow

Etched Glass

- Crossroads
- Lisbon
- Modern Frosted Insert
- Prairie
- Satina

Layered Glass

- Antiquity
- Mirage
- Silk
- Wintersday

Mullion Doors

- Castlegate
- Evansville
- Hewitt
- Palladia
- Raleigh
- Showcase Mullion
- Traditional Mullion

Specialty Inserts

- Chalkboard Insert

Textured Glass

- Cascade
- Dolace
- Modern Textured Insert
- Moire
- Ravenna
- Styx
- Vauxhall

Rathbun Finishes

- ❖ Available as Standard
- Premium Upcharge

		RTC9	RTM9
		Rathbun Cherry	Rathbun Maple
Aged Concrete	E06	●	●
Aged Papyrus	E05	●	●
Aged River Rock	E07	●	●
Autumn Blush	AB	❖	
Autumn Blush Suede	C21	●	●
Autumn Blush W/Onyx Glaze	F81	●	●
Autumn Blush W/Onyx Glaze Suede	F82	●	●
Baltic	D78	❖	
Baltic Suede	D80	●	●
Bonsai	E69	●	●
Bonsai Suede	E70	●	●
Burmese	E67	●	●
Burmese Suede	E68	●	●
Cannon Grey	D81	❖	
Cannon Grey Suede	D83	●	●
Cannon Grey Wood Grain	D81O		
Canvas	CV	●	●
Canvas Suede	D37	●	●
Canvas W/Cinder Highlight	E87	●	●
Canvas W/Cinder Highlight Suede	E88	●	●
Canvas W/Cocoa Highlight Suede	E90	●	●
Canvas W/Cocoa Highlight	E89	●	●
Chestnut	CN	❖	
Chestnut Suede	C23	●	●
Chocolate	CC	❖	❖
Chocolate Suede	D87	●	●
Chocolate W/Ebony Glaze	F87	●	●
Chocolate W/Ebony Glaze Suede	F88	●	●
Cognac	CO	❖	❖
Cognac Suede	D85	●	●
ColorMatch	CC1	●	●
ColorMatch Suede	CC2	●	●
Distressed Autumn Blush	C22	●	●
Distressed Baltic	D79	●	●
Distressed Cannon Grey	D82	●	●
Distressed Chestnut	C24	●	●
Distressed Chocolate	D86	●	●
Distressed Cognac	D84	●	●
Distressed Ginger	C20	●	●
Distressed Husk	C15	●	●
Distressed Kaffé	C28	●	●
Distressed Molasses	E60	●	●
Distressed Peppercorn	C86	●	●
Distressed Praline	C79	●	●
Distressed Saddle	C14	●	●
Distressed Slate	C73	●	●
Distressed Sunset	D50	●	●
Dove White	DW	●	●
Dove White Suede	D40	●	●
Dove White W/Cinder Highlight	E93	●	●
Dove White W/Cinder Highlight Suede	E94	●	●
Dove White W/Cocoa Highlight	E95	●	●
Dove White W/Cocoa Highlight Suede	E96	●	●
Ginger	C88	❖	❖
Ginger Suede	C19	●	●
Ginger W/Sable Glaze	F91	●	●
Ginger W/Sable Glaze Suede	F92	●	●
Greyloft	B65	●	●
Greyloft Suede	D41	●	●
Greyloft W/Sable Highlight	E97	●	●
Greyloft W/Sable Highlight Suede	E98	●	●
Honey Spice	HS	❖	❖
Honey Spice Suede	D88	●	●
Husk	B82	❖	
Husk Suede	C13	●	●
Kaffé	KA	❖	❖
Kaffé Suede	C27	●	●

		RTC9	RTM9
		Rathbun Cherry	Rathbun Maple
Lagoon	E63	●	●
Lagoon Suede	E64	●	●
Linen	D90	●	●
Linen Suede	D93	●	●
Linen W/Cinder Highlight	E99	●	●
Linen W/Cinder Highlight Suede	F00	●	●
Linen W/Cocoa Highlight	F01	●	●
Linen W/Cocoa Highlight Suede	F02	●	●
Midnight	B69	●	●
Midnight Suede	D42	●	●
Midnight W/Onyx Highlight	F03	●	●
Midnight W/Onyx Highlight Suede	F04	●	●
Molasses	E58	❖	❖
Molasses Suede	E59	●	●
Moonshine	D98	●	●
Moonshine Suede	E02	●	●
Moonshine W/Cinder Highlight	F05	●	●
Moonshine W/Cinder Highlight Suede	F06	●	●
Moonshine W/Cocoa Highlight	F07	●	●
Moonshine W/Cocoa Highlight Suede	F08	●	●
Natural	NA	❖	❖
Natural Suede	D89	●	●
Onyx	A21	●	●
Onyx Suede	D44	●	●
Pebble Grey	B83	●	●
Pebble Grey Suede	D45	●	●
Pebble Grey W/Cocoa Highlight	F09	●	●
Pebble Grey W/Cocoa Highlight Suede	F10	●	●
Peppercorn	PC	❖	❖
Peppercorn Suede	D53	●	●
Praline	PR	❖	❖
Praline Suede	C78	●	●
Saddle	B81	●	●
Saddle Suede	C12	●	●
Slate	B64	❖	❖
Slate Suede	C72	●	●
Sunset	SU	❖	
Sunset Suede	D49	●	●
Surfside	E65	●	●
Surfside Suede	E66	●	●
Unfinished	UF	❖	❖
Vintage Canvas	VC	●	●
Vintage Canvas Suede	E42	●	●
Vintage Dove White	VD	●	●
Vintage Dove White Suede	E44	●	●
Vintage Greyloft	B67	●	●
Vintage Greyloft Suede	E45	●	●
Vintage Linen	D91	●	●
Vintage Linen Suede	E46	●	●
Vintage Midnight	B71	●	●
Vintage Midnight Suede	E47	●	●
Vintage Moonshine	D99	●	●
Vintage Moonshine Suede	E48	●	●
Vintage Onyx	VO	●	●
Vintage Onyx Suede	E50	●	●
Vintage Pebble Grey	B86	●	●
Vintage Pebble Grey Suede	E51	●	●

Riverside

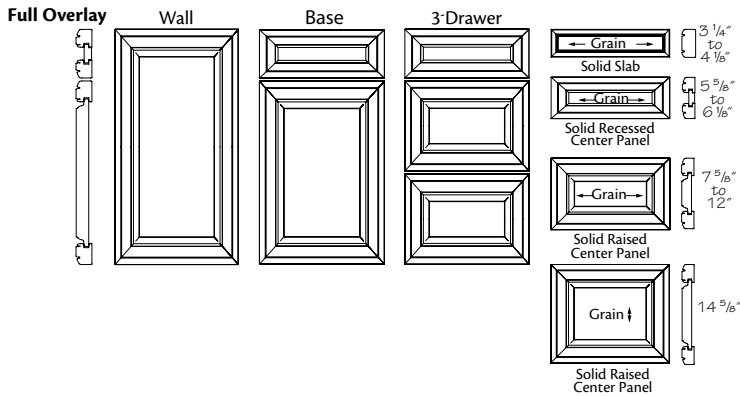
Full Overlay

AJ3C9 Cherry

Price Column O

AJ3M9 Maple

Price Column M



- Solid wood mitered door frame with 2 5/8" stiles and rails
- Square solid raised panel on wall and base doors
- Five-piece drawer front
- 5 5/8" and 6 1/8" high drawer fronts have 2 1/4" stiles and rails
- Concealed hinge
- Decorative hardware is required

Decorative Doors & Inserts Available

Aluminum Frame Glass

- Fresco Brushed Aluminum
- Vetro Brushed Aluminum

Camed Glass

- Classic Camed Insert
- Palisades
- Penrose
- Victorian
- Yorkshire

Classic Glass

- Bistro
- Prepared for Glass
- Prism
- Shadow

Etched Glass

- Crossroads
- Lisbon
- Modern Frosted Insert
- Prairie
- Satina

Layered Glass

- Antiquity
- Mirage
- Silk
- Wintersday

Mullion Doors

- Castlegate
- Evansville
- Hewitt
- Showcase Mullion
- Traditional Mullion

Specialty Inserts

- Chalkboard Insert

Textured Glass

- Cascade
- Dolace
- Modern Textured Insert
- Moire
- Ravenna
- Styx
- Vauxhall

Riverside Finishes

❖ Available as Standard
● Premium Upcharge

		Riverside Cherry	Riverside Maple
Aged Concrete	E06	●	●
Aged Papyrus	E05	●	●
Aged River Rock	E07	●	●
Autumn Blush	AB	❖	
Autumn Blush Suede	C21	●	●
Autumn Blush W/Onyx Glaze	F81	●	●
Autumn Blush W/Onyx Glaze Suede	F82	●	●
Baltic	D78	❖	
Baltic Suede	D80	●	●
Bonsai	E69	●	●
Bonsai Suede	E70	●	●
Burmese	E67	●	●
Burmese Suede	E68	●	●
Cannon Grey	D81	❖	
Cannon Grey Suede	D83	●	●
Canvas	CV	●	●
Canvas Suede	D37	●	●
Canvas W/Cinder Highlight	E87	●	●
Canvas W/Cinder Highlight Suede	E88	●	●
Canvas W/Cocoa Highlight Suede	E90	●	●
Canvas W/Cocoa Highlight	E89	●	●
Chestnut	CN	❖	
Chestnut Suede	C23	●	●
Chocolate	CC	❖	❖
Chocolate Suede	D87	●	●
Chocolate W/Ebony Glaze	F87	●	●
Chocolate W/Ebony Glaze Suede	F88	●	●
Cognac	CO	❖	❖
Cognac Suede	D85	●	●
ColorMatch	CC1	●	●
ColorMatch Suede	CC2	●	●
Distressed Autumn Blush	C22	●	●
Distressed Baltic	D79	●	●
Distressed Cannon Grey	D82	●	●
Distressed Chestnut	C24	●	●
Distressed Chocolate	D86	●	●
Distressed Cognac	D84	●	●
Distressed Ginger	C20	●	●
Distressed Husk	C15	●	●
Distressed Kaffé	C28	●	●
Distressed Molasses	E60	●	●
Distressed Peppercorn	C86	●	●
Distressed Praline	C79	●	●
Distressed Saddle	C14	●	●
Distressed Slate	C73	●	●
Distressed Sunset	D50	●	●
Dove White	DW	●	●
Dove White Suede	D40	●	●
Dove White W/Cinder Highlight	E93	●	●
Dove White W/Cinder Highlight Suede	E94	●	●
Dove White W/Cocoa Highlight	E95	●	●
Dove White W/Cocoa Highlight Suede	E96	●	●
Ginger	C88	❖	❖
Ginger Suede	C19	●	●
Ginger W/Sable Glaze	F91	●	●
Ginger W/Sable Glaze Suede	F92	●	●
Greyloft	B65	●	●
Greyloft Suede	D41	●	●
Greyloft W/Sable Highlight	E97	●	●
Greyloft W/Sable Highlight Suede	E98	●	●
Honey Spice	HS	❖	❖

		Riverside Cherry	Riverside Maple
Honey Spice Suede	D88	●	●
Husk	B82	❖	
Husk Suede	C13	●	●
Kaffé	KA	❖	❖
Kaffé Suede	C27	●	●
Lagoon	E63	●	●
Lagoon Suede	E64	●	●
Linen	D90	●	●
Linen Suede	D93	●	●
Linen W/Cinder Highlight	E99	●	●
Linen W/Cinder Highlight Suede	F00	●	●
Linen W/Cocoa Highlight	F01	●	●
Linen W/Cocoa Highlight Suede	F02	●	●
Midnight	B69	●	●
Midnight Suede	D42	●	●
Midnight W/Onyx Highlight	F03	●	●
Midnight W/Onyx Highlight Suede	F04	●	●
Molasses	E58	❖	❖
Molasses Suede	E59	●	●
Moonshine	D98	●	●
Moonshine Suede	E02	●	●
Moonshine W/Cinder Highlight	F05	●	●
Moonshine W/Cinder Highlight Suede	F06	●	●
Moonshine W/Cocoa Highlight	F07	●	●
Moonshine W/Cocoa Highlight Suede	F08	●	●
Natural	NA	❖	❖
Natural Suede	D89	●	●
Onyx	A21	●	●
Onyx Suede	D44	●	●
Pebble Grey	B83	●	●
Pebble Grey Suede	D45	●	●
Pebble Grey W/Cocoa Highlight	F09	●	●
Pebble Grey W/Cocoa Highlight Suede	F10	●	●
Peppercorn	PC	❖	❖
Peppercorn Suede	D53	●	●
Praline	PR	❖	❖
Praline Suede	C78	●	●
Saddle	B81	❖	❖
Saddle Suede	C12	●	●
Slate	B64	❖	❖
Slate Suede	C72	●	●
Sunset	SU	❖	
Sunset Suede	D49	●	●
Surfside	E65	●	●
Surfside Suede	E66	●	●
Unfinished	UF	❖	❖
Vintage Canvas	VC	●	●
Vintage Canvas Suede	E42	●	●
Vintage Dove White	VD	●	●
Vintage Dove White Suede	E44	●	●
Vintage Greyloft	B67	●	●
Vintage Greyloft Suede	E45	●	●

		Riverside Cherry	Riverside Maple
Vintage Linen	D91	●	●
Vintage Linen Suede	E46	●	●
Vintage Midnight	B71	●	●
Vintage Midnight Suede	E47	●	●
Vintage Moonshine	D99	●	●
Vintage Moonshine Suede	E48	●	●
Vintage Onyx	VO	●	●
Vintage Onyx Suede	E50	●	●
Vintage Pebble Grey	B86	●	●
Vintage Pebble Grey Suede	E51	●	●

Rockwell

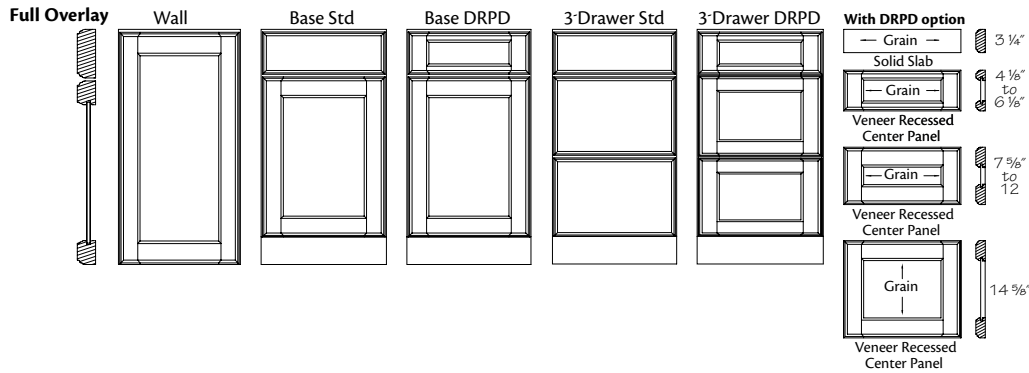
Full Overlay

AH5C9 Cherry

Price Column G

AH5M9 Maple

Price Column F



- Solid wood door frame with 3" stiles and rails
- Square veneer recessed panel on wall and base doors
- Slab drawer front
- Deluxe Recessed Panel Drawer (DRPD) front available
- Concealed hinge
- Decorative hardware is required

Decorative Doors & Inserts Available

Aluminum Frame Glass

- Fresco Brushed Aluminum
- Vetro Brushed Aluminum

Camed Glass

- Classic Camed Insert
- Palisades
- Penrose
- Victorian
- Yorkshire

Classic Glass

- Bistro
- Prepared for Glass
- Prism
- Shadow

Etched Glass

- Crossroads
- Lisbon
- Modern Frosted Insert
- Prairie
- Satina

Layered Glass

- Antiquity
- Mirage
- Silk
- Wintersday

Mullion Doors

- Castlegate
- Evansville
- Hewitt
- Showcase Mullion
- Traditional Mullion

Specialty Inserts

- Chalkboard Insert

Textured Glass

- Cascade
- Dolace
- Modern Textured Insert
- Moire
- Ravenna
- Styx
- Vauxhall

Rockwell Finishes

- ❖ Available as Standard
- Premium Upcharge

		AH5C9	AH5M9
		Rockwell Cherry	Rockwell Maple
Autumn Blush	AB	❖	
Autumn Blush Suede	C21	●	
Autumn Blush W/Onyx Glaze	F81	●	
Autumn Blush W/Onyx Glaze Suede	F82	●	
Baltic	D78	❖	
Baltic Suede	D80	●	
Bonsai	E69	●	
Bonsai Suede	E70	●	
Burmese	E67	●	
Burmese Suede	E68	●	
Cannon Grey	D81	❖	
Cannon Grey Suede	D83	●	
Canvas	CV	●	
Canvas Suede	D37	●	
Canvas W/Cinder Highlight	E87	●	
Canvas W/Cinder Highlight Suede	E88	●	
Canvas W/Cocoa Highlight	E90	●	
Canvas W/Cocoa Highlight Suede	E89	●	
Chestnut	CN	❖	
Chestnut Suede	C23	●	
Chocolate	CC	❖	❖
Chocolate Suede	D87	●	●
Chocolate W/Ebony Glaze	F87	●	
Chocolate W/Ebony Glaze Suede	F88	●	
Cognac	CO	❖	❖
Cognac Suede	D85	●	●
ColorMatch	CC1	●	
ColorMatch Suede	CC2	●	
Dove White	DW	●	
Dove White Suede	D40	●	
Dove White W/Cinder Highlight	E93	●	
Dove White W/Cinder Highlight Suede	E94	●	
Dove White W/Cocoa Highlight	E95	●	
Dove White W/Cocoa Highlight Suede	E96	●	
Ginger	C88	❖	❖
Ginger Suede	C19	●	●
Ginger W/Sable Glaze	F91	●	●
Ginger W/Sable Glaze Suede	F92	●	●
Greyloft	B65	●	
Greyloft Suede	D41	●	
Greyloft W/Sable Highlight	E97	●	
Greyloft W/Sable Highlight Suede	E98	●	
Honey Spice	HS	❖	❖
Honey Spice Suede	D88	●	
Husk	B82	❖	
Husk Suede	C13	●	
Kaffé	KA	❖	❖
Kaffé Suede	C27	●	●
Lagoon	E63	●	
Lagoon Suede	E64	●	
Linen	D90	●	
Linen Suede	D93	●	
Linen W/Cinder Highlight	E99	●	
Linen W/Cinder Highlight Suede	F00	●	
Linen W/Cocoa Highlight	F01	●	
Linen W/Cocoa Highlight Suede	F02	●	
Midnight	B69	●	
Midnight Suede	D42	●	
Midnight W/Onyx Highlight	F03	●	
Midnight W/Onyx Highlight Suede	F04	●	
Molasses	E58	❖	❖
Molasses Suede	E59	●	●
Moonshine	D98	●	
Moonshine Suede	E02	●	
Moonshine W/Cinder Highlight	F05	●	
Moonshine W/Cinder Highlight Suede	F06	●	
Moonshine W/Cocoa Highlight	F07	●	

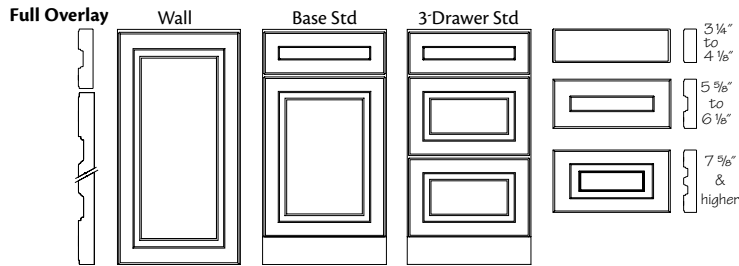
		AH5C9	AH5M9
		Rockwell Cherry	Rockwell Maple
Moonshine W/Cocoa Highlight Suede	F08	●	
Natural	NA	❖	❖
Natural Suede	D89	●	●
Onyx	A21	●	
Onyx Suede	D44	●	
Pebble Grey	B83	●	
Pebble Grey Suede	D45	●	
Pebble Grey W/Cocoa Highlight	F09	●	
Pebble Grey W/Cocoa Highlight Suede	F10	●	
Peppercorn	PC	❖	❖
Peppercorn Suede	D53	●	●
Praline	PR	❖	❖
Praline Suede	C78	●	●
Saddle	B81	❖	❖
Saddle Suede	C12	●	●
Slate	B64	❖	❖
Slate Suede	C72	●	●
Sunset	SU	❖	
Sunset Suede	D49	●	
Surfside	E65	●	
Surfside Suede	E66	●	
Unfinished	UF	❖	❖

Saline

Full Overlay

SHD9 White Thermofoil

Price Column D



- Thermofoil on 3/4" thick MDF substrate
- Square design has raised center panel on wall and base doors
- Drawer front varies depending on height
- Concealed hinge
- Decorative hardware is required



Remember, all Foil and Thermofoil door styles will have a natural birch interior and a white laminate exterior. Also, the underside of the cabinets are natural birch. To cover the underside, order an Under Cabinet Panel.

Decorative Doors & Inserts Available

Aluminum Frame Glass

- Fresco Brushed Aluminum
- Vetro Brushed Aluminum

Camed Glass

- Classic Camed Insert
- Palisades
- Penrose
- Victorian
- Yorkshire

Classic Glass

- Bistro
- Prepared for Glass
- Prism
- Shadow

Etched Glass

- Crossroads
- Lisbon
- Modern Frosted Insert
- Prairie
- Satina

Layered Glass

- Antiquity
- Mirage
- Silk
- Wintersday

Mullion Doors

- Traditional Mullion

Specialty Inserts

- Chalkboard Insert

Textured Glass

- Cascade
- Dolace
- Modern Textured Insert
- Moire
- Ravenna
- Styx
- Vauxhall

Saline Finishes

❖ Available as Standard

● Premium Upcharge

White WH

❖	Saline	SHD9
---	--------	------

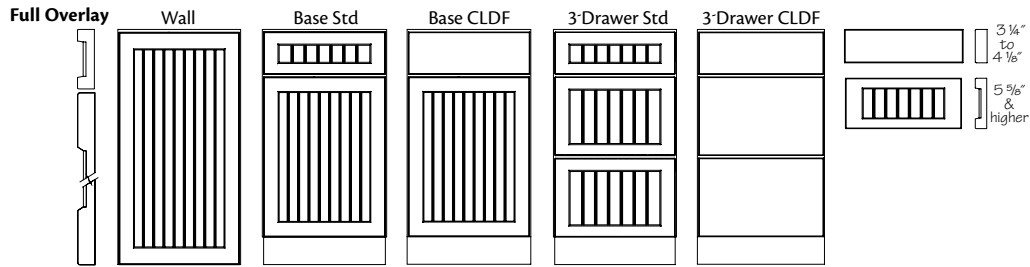
Savona

Full Overlay

ND9

White Thermofoil

Price Column G



- Thermofoil on 3/4" thick MDF substrate
- Square recessed beaded panel on wall and base doors
- Recessed panel beaded drawer front
- Grooves are 1 1/2" on center
- Classic Drawer Front (CLDF) option available
- Concealed hinge
- Decorative hardware is required
- **Note:** When CLDF option is applied, all drawer fronts will be slab



Remember, all Foil and Thermofoil door styles will have a natural birch interior and a white laminate exterior. Also, the underside of the cabinets are natural birch. To cover the underside, order an Under Cabinet Panel.

Decorative Doors & Inserts Available

Aluminum Frame Glass

- Fresco Brushed Aluminum
- Vetro Brushed Aluminum

Camed Glass

- Classic Camed Insert
- Palisades
- Penrose
- Victorian
- Yorkshire

Classic Glass

- Bistro
- Prepared for Glass
- Prism
- Shadow

Etched Glass

- Crossroads
- Lisbon
- Modern Frosted Insert
- Prairie
- Satina

Layered Glass

- Antiquity
- Mirage
- Silk
- Wintersday

Mullion Doors

- Traditional Mullion

Specialty Inserts

- Chalkboard Insert

Textured Glass

- Cascade
- Dolace
- Modern Textured Insert
- Moire
- Ravenna
- Styx
- Vauxhall

Savona Finishes

❖ Available as Standard

● Premium Upcharge

White WH

❖	Savona
●	ND9

Sawyer

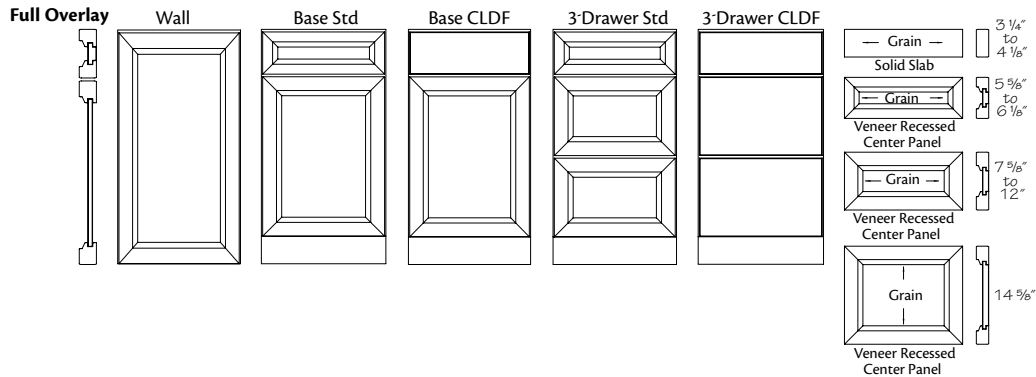
Full Overlay

AH6C9 Cherry

Price Column I

AH6M9 Maple

Price Column G



- Solid wood mitered door frame with 2 3/4" stiles and rails
- Square veneer recessed panel on wall and base doors
- Drawer front varies depending on height
- Classic Drawer Front (CLDF) option available
- Concealed hinge
- Decorative hardware is required
- **Note:** When CLDF option is applied, all drawer fronts will be slab

Decorative Doors & Inserts Available

Aluminum Frame Glass

- Fresco Brushed Aluminum
- Vetro Brushed Aluminum

Camed Glass

- Classic Camed Insert
- Palisades
- Penrose
- Victorian
- Yorkshire

Classic Glass

- Bistro
- Prepared for Glass
- Prism
- Shadow

Etched Glass

- Crossroads
- Lisbon
- Modern Frosted Insert
- Prairie
- Satina

Layered Glass

- Antiquity
- Mirage
- Silk
- Wintersday

Mullion Doors

- Castlegate
- Evansville
- Hewitt
- Showcase Mullion
- Traditional Mullion

Specialty Inserts

- Chalkboard Insert

Textured Glass

- Cascade
- Dolace
- Modern Textured Insert
- Moire
- Ravenna
- Styx
- Vauxhall

Sawyer Finishes

- ❖ Available as Standard
- Premium Upcharge

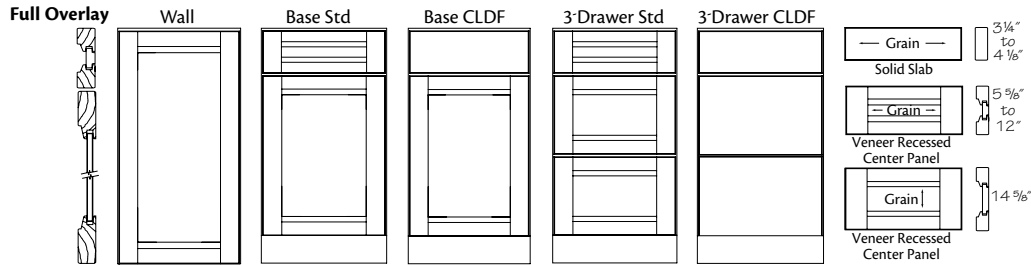
		AH6C9	AH6M9
		Sawyer Cherry	Sawyer Maple
Autumn Blush	AB	❖	
Autumn Blush Suede	C21	●	
Autumn Blush W/Onyx Glaze	F81	●	
Autumn Blush W/Onyx Glaze Suede	F82	●	
Baltic	D78	❖	
Baltic Suede	D80	●	
Bonsai	E69	●	
Bonsai Suede	E70	●	
Burmese	E67	●	
Burmese Suede	E68	●	
Cannon Grey	D81	❖	
Cannon Grey Suede	D83	●	
Canvas	CV	●	
Canvas Suede	D37	●	
Canvas W/Cinder Highlight	E87	●	
Canvas W/Cinder Highlight Suede	E88	●	
Canvas W/Cocoa Highlight Suede	E90	●	
Canvas W/Cocoa Highlight	E89	●	
Chestnut	CN	❖	
Chestnut Suede	C23	●	
Chocolate	CC	❖	❖
Chocolate Suede	D87	●	●
Chocolate W/Ebony Glaze	F87	●	
Chocolate W/Ebony Glaze Suede	F88	●	
Cognac	CO	❖	❖
Cognac Suede	D85	●	●
ColorMatch	CC1	●	
ColorMatch Suede	CC2	●	
Dove White	DW	●	
Dove White Suede	D40	●	
Dove White W/Cinder Highlight	E93	●	
Dove White W/Cinder Highlight Suede	E94	●	
Dove White W/Cocoa Highlight	E95	●	
Dove White W/Cocoa Highlight Suede	E96	●	
Ginger	C88	❖	❖
Ginger Suede	C19	●	●
Ginger W/Sable Glaze	F91	●	●
Ginger W/Sable Glaze Suede	F92	●	●
Greyloft	B65	●	
Greyloft Suede	D41	●	
Greyloft W/Sable Highlight	E97	●	
Greyloft W/Sable Highlight Suede	E98	●	
Honey Spice	HS	❖	❖
Honey Spice Suede	D88	●	●
Husk	B82	❖	
Husk Suede	C13	●	
Kaffé	KA	❖	❖
Kaffé Suede	C27	●	●
Lagoon	E63	●	
Lagoon Suede	E64	●	
Linen	D90	●	
Linen Suede	D93	●	
Linen W/Cinder Highlight	E99	●	
Linen W/Cinder Highlight Suede	F00	●	
Linen W/Cocoa Highlight	F01	●	
Linen W/Cocoa Highlight Suede	F02	●	
Midnight	B69	●	
Midnight Suede	D42	●	
Midnight W/Onyx Highlight	F03	●	
Midnight W/Onyx Highlight Suede	F04	●	
Molasses	E58	❖	❖
Molasses Suede	E59	●	●
Moonshine	D98	●	
Moonshine Suede	E02	●	

		AH6C9	AH6M9
		Sawyer Cherry	Sawyer Maple
Moonshine W/Cinder Highlight	F05	●	●
Moonshine W/Cinder Highlight Suede	F06	●	●
Moonshine W/Cocoa Highlight	F07	●	●
Moonshine W/Cocoa Highlight Suede	F08	●	●
Natural	NA	❖	❖
Natural Suede	D89	●	●
Onyx	A21	●	●
Onyx Suede	D44	●	●
Pebble Grey	B83	●	●
Pebble Grey Suede	D45	●	●
Pebble Grey W/Cocoa Highlight	F09	●	●
Pebble Grey W/Cocoa Highlight Suede	F10	●	●
Peppercorn	PC	❖	❖
Peppercorn Suede	D53	●	●
Praline	PR	❖	❖
Praline Suede	C78	●	●
Saddle	B81	❖	❖
Saddle Suede	C12	●	●
Slate	B64	❖	❖
Slate Suede	C72	●	●
Sunset	SU	❖	❖
Sunset Suede	D49	●	●
Surfside	E65	●	●
Surfside Suede	E66	●	●
Unfinished	UF	❖	❖

Sylvan

Full Overlay

SNC9	Cherry	Price Column I
AC8D9	EverCore®	Price Column E
AC8H9	Hickory	Price Column F
SNM9	Maple	Price Column G
AC8O9	Oak	Price Column E
SNA9	Rustic Alder	Price Column G



- Solid wood door frame with 2 3/4" stiles and rails, except EverCore®, which will be mechanically compressed wood fiber
- Square veneer recessed panels on wall and base doors, except EverCore®, which will be mechanically compressed wood fiber
- Drawer front varies depending on height
- Classic Drawer Front (CLDF) option available
- Concealed hinge
- Decorative hardware is required
- **Note:** When CLDF option is applied, all drawer fronts will be slab
- **Note:** Rustic door styles feature knotty or character wood. It contains character marks such as heartwood, worm holes and mineral streaks of varying size. Components of these doors are chosen at random, with the appearance of each individual door varying widely from very rustic to relatively clear and unmarked

Decorative Doors & Inserts Available

Aluminum Frame Glass

- Fresco Brushed Aluminum
- Vetro Brushed Aluminum

Camed Glass

- Classic Camed Insert
- Palisades
- Penrose
- Victorian
- Yorkshire

Classic Glass

- Bistro
- Prepared for Glass
- Prism
- Shadow

Etched Glass

- Crossroads
- Lisbon
- Modern Frosted Insert
- Prairie
- Satina

Layered Glass

- Antiquity
- Mirage
- Silk
- Wintersday

Mullion Doors

- Castlegate ★
- Evansville ★
- Hewitt ★
- Showcase Mullion ★
- Traditional Mullion ★
- Vista Mullion ★

Specialty Inserts

- Chalkboard Insert

Textured Glass

- Cascade
- Dolace
- Modern Textured Insert
- Moire
- Ravenna
- Styx
- Vauxhall

★ **Note** available in Rustic or Evercore® d door styles

▲ Only available in Cherry & Maple door styles

Sylvan Finishes

- ❖ Available as Standard
- Premium Upcharge

		SNC9	AC8D9	AC8H9	SNM9	AC8O9	SNA9
		Sylvan Cherry	Sylvan EverCore®	Sylvan Hickory	Sylvan Maple	Sylvan Oak	Sylvan Rustic Alder
Autumn Blush	AB	❖				❖	❖
Autumn Blush Suede	C21	●				●	●
Autumn Blush W/Onyx Glaze	F81	●				●	●
Autumn Blush W/Onyx Glaze Suede	F82	●				●	●
Baltic	D78	❖				❖	❖
Baltic Suede	D80	●				●	●
Bonsai	E69		●		●		
Bonsai Suede	E70		●		●		
Burmese	E67		●		●		
Burmese Suede	E68		●		●		
Cannon Grey	D81	❖				❖	❖
Cannon Grey Suede	D83	●				●	●
Canvas	CV		●		●		
Canvas Suede	D37		●		●		
Canvas W/Cinder Highlight	E87				●		
Canvas W/Cinder Highlight Suede	E88				●		
Canvas W/Cocoa Highlight Suede	E90				●		
Canvas W/Cocoa Highlight	E89				●		
Chestnut	CN				❖		
Chestnut Suede	C23				❖		
Chocolate	CC	❖			❖		❖
Chocolate Suede	D87	●			●		●
Chocolate W/Ebony Glaze	F87	●					●
Chocolate W/Ebony Glaze Suede	F88	●					●
Cognac	CO	❖		❖	❖	❖	❖
Cognac Suede	D85	●		●	●	●	●
ColorMatch	CC1		●		●		
ColorMatch Suede	CC2		●		●		
Dove White	DW		●		●		
Dove White Suede	D40		●		●		
Dove White W/Cinder Highlight	E93				●		
Dove White W/Cinder Highlight Suede	E94				●		
Dove White W/Cocoa Highlight	E95				●		
Dove White W/Cocoa Highlight Suede	E96				●		
Fawn	FN					❖	
Fawn Suede	D51					●	
Ginger	C88	❖		❖	❖	❖	❖
Ginger Suede	C19	●		●	●	●	●
Ginger W/Sable Glaze	F91	●		●	●	●	●
Ginger W/Sable Glaze Suede	F92	●		●	●	●	●
Greyloft	B65		●		●		
Greyloft Suede	D41		●		●		
Greyloft W/Sable Highlight	E97				●		
Greyloft W/Sable Highlight Suede	E98				●		
Honey Spice	HS	❖		❖	❖	❖	❖
Honey Spice Suede	D88	●		●	●	●	●
Husk	B82	❖		❖	❖	❖	❖
Husk Suede	C13	●		●		●	●
Kaffé	KA	❖		❖	❖	❖	❖
Kaffé Suede	C27	●		●	●	●	●
Lagoon	E63		●		●		
Lagoon Suede	E64		●		●		
Linen	D90		●		●		
Linen Suede	D93		●		●		
Linen W/Cinder Highlight	E99				●		
Linen W/Cinder Highlight Suede	F00				●		
Linen W/Cocoa Highlight	F01				●		
Linen W/Cocoa Highlight Suede	F02				●		
Midnight	B69		●		●		
Midnight Suede	D42		●		●		
Midnight W/Onyx Highlight	F03				●		
Midnight W/Onyx Highlight Suede	F04				●		
Molasses	E58	❖		❖	❖	❖	❖
Molasses Suede	E59	●		●	●	●	●
Moonshine	D98		●		●		
Moonshine Suede	E02		●		●		

		SNC9	AC8D9	AC8H9	SNM9	AC8O9	SNA9
		Sylvan Cherry	Sylvan EverCore®	Sylvan Hickory	Sylvan Maple	Sylvan Oak	Sylvan Rustic Alder
Moonshine W/Cinder Highlight	F05				●		
Moonshine W/Cinder Highlight Suede	F06				●		
Moonshine W/Cocoa Highlight	F07				●		
Moonshine W/Cocoa Highlight Suede	F08				●		
Natural	NA	❖		❖	❖	❖	❖
Natural Suede	D89	●		●	●	●	●
Onyx	A21		●		●	●	●
Onyx Suede	D44		●		●	●	●
Pebble Grey	B83		●		●		
Pebble Grey Suede	D45		●		●		
Pebble Grey W/Cocoa Highlight	F09				●		
Pebble Grey W/Cocoa Highlight Suede	F10				●		
Peppercorn	PC	❖		❖	❖	❖	❖
Peppercorn Suede	D53	●		●	●	●	●
Praline	PR	❖		❖	❖	❖	❖
Praline Suede	C78	●		●	●	●	●
Saddle	B81	❖		❖	❖	❖	❖
Saddle Suede	C12	●		●	●	●	●
Slate	B64	❖		❖	❖	❖	
Slate Suede	C72	●		●	●	●	
Sunset	SU	❖		❖	❖	❖	❖
Sunset Suede	D49	●		●		●	
Surfside	E65		●		●		
Surfside Suede	E66		●		●		
Unfinished	UF	❖		❖	❖	❖	❖

Temora

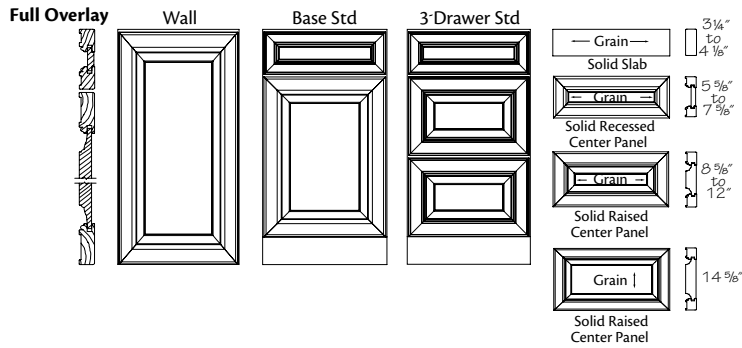
Full Overlay

AA0C9 Cherry

Price Column P

AA0M9 Maple

Price Column O



- Solid wood mitered door frame with 2 5/8" stiles and rails
- Square solid raised panel on wall and base doors
- Drawer front varies depending on height
- Concealed hinge
- Decorative hardware is required

Decorative Doors & Inserts Available

Aluminum Frame Glass

- Fresco Brushed Aluminum
- Vetro Brushed Aluminum

Camed Glass

- Classic Camed Insert
- Palisades
- Penrose
- Victorian
- Yorkshire

Classic Glass

- Bistro
- Prepared for Glass
- Prism
- Shadow

Etched Glass

- Crossroads
- Lisbon
- Modern Frosted Insert
- Prairie
- Satina

Layered Glass

- Antiquity
- Mirage
- Silk
- Wintersday

Mullion Doors

- Castlegate
- Evansville
- Hewitt
- Showcase Mullion
- Traditional Mullion

Specialty Inserts

- Chalkboard Insert

Textured Glass

- Cascade
- Dolace
- Modern Textured Insert
- Moire
- Ravenna
- Styx
- Vauxhall

Temora Finishes

- ❖ Available as Standard
- Premium Upcharge

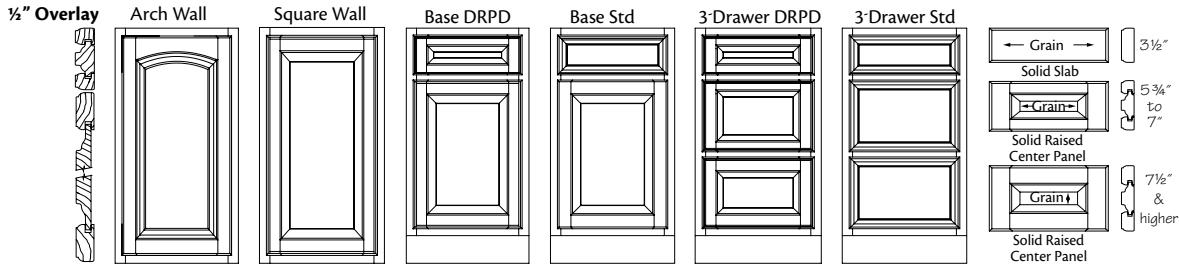
		AA0C9	AA0M9
		Temora Cherry	Temora Maple
Aged Concrete	E06	●	●
Aged Papyrus	E05	●	●
Aged River Rock	E07	●	●
Autumn Blush	AB	❖	
Autumn Blush Suede	C21	●	●
Autumn Blush W/Onyx Glaze	F81	●	●
Autumn Blush W/Onyx Glaze Suede	F82	●	●
Baltic	D78	❖	
Baltic Suede	D80	●	●
Bonsai	E69	●	●
Bonsai Suede	E70	●	●
Burmese	E67	●	●
Burmese Suede	E68	●	●
Cannon Grey	D81	❖	
Cannon Grey Suede	D83	●	●
Canvas	CV	●	●
Canvas Suede	D37	●	●
Canvas W/Cinder Highlight	E87	●	●
Canvas W/Cinder Highlight Suede	E88	●	●
Canvas W/Cocoa Highlight Suede	E90	●	●
Canvas W/Cocoa Highlight	E89	●	●
Chestnut	CN	❖	
Chestnut Suede	C23	●	●
Chocolate	CC	❖	❖
Chocolate Suede	D87	●	●
Chocolate W/Ebony Glaze	F87	●	●
Chocolate W/Ebony Glaze Suede	F88	●	●
Cognac	CO	❖	❖
Cognac Suede	D85	●	●
ColorMatch	CC1	●	●
ColorMatch Suede	CC2	●	●
Distressed Autumn Blush	C22	●	●
Distressed Baltic	D79	●	●
Distressed Cannon Grey	D82	●	●
Distressed Chestnut	C24	●	●
Distressed Chocolate	D86	●	●
Distressed Cognac	D84	●	●
Distressed Ginger	C20	●	●
Distressed Husk	C15	●	●
Distressed Kaffé	C28	●	●
Distressed Molasses	E60	●	●
Distressed Peppercorn	C86	●	●
Distressed Praline	C79	●	●
Distressed Saddle	C14	●	●
Distressed Slate	C73	●	●
Distressed Sunset	D50	●	●
Dove White	DW	●	●
Dove White Suede	D40	●	●
Dove White W/Cinder Highlight	E93	●	●
Dove White W/Cinder Highlight Suede	E94	●	●
Dove White W/Cocoa Highlight	E95	●	●
Dove White W/Cocoa Highlight Suede	E96	●	●
Ginger	C88	❖	❖
Ginger Suede	C19	●	●
Ginger W/Sable Glaze	F91	●	●
Ginger W/Sable Glaze Suede	F92	●	●
Greyloft	B65	●	●
Greyloft Suede	D41	●	●
Greyloft W/Sable Highlight	E97	●	●
Greyloft W/Sable Highlight Suede	E98	●	●
Honey Spice	HS	❖	❖
Honey Spice Suede	D88	●	●
Husk	B82	❖	
Husk Suede	C13	●	●
Kaffé	KA	❖	❖
Kaffé Suede	C27	●	●
Lagoon	E63	●	●

		AA0C9	AA0M9
		Temora Cherry	Temora Maple
Lagoon Suede	E64	●	●
Linen	D90	●	●
Linen Suede	D93	●	●
Linen W/Cinder Highlight	E99	●	●
Linen W/Cinder Highlight Suede	F00	●	●
Linen W/Cocoa Highlight	F01	●	●
Linen W/Cocoa Highlight Suede	F02	●	●
Midnight	B69	●	●
Midnight Suede	D42	●	●
Midnight W/Onyx Highlight	F03	●	●
Midnight W/Onyx Highlight Suede	F04	●	●
Molasses	E58	❖	❖
Molasses Suede	E59	●	●
Moonshine	D98	●	●
Moonshine Suede	E02	●	●
Moonshine W/Cinder Highlight	F05	●	●
Moonshine W/Cinder Highlight Suede	F06	●	●
Moonshine W/Cocoa Highlight	F07	●	●
Moonshine W/Cocoa Highlight Suede	F08	●	●
Natural	NA	❖	❖
Natural Suede	D89	●	●
Onyx	A21	●	●
Onyx Suede	D44	●	●
Pebble Grey	B83	●	●
Pebble Grey Suede	D45	●	●
Pebble Grey W/Cocoa Highlight	F09	●	●
Pebble Grey W/Cocoa Highlight Suede	F10	●	●
Peppercorn	PC	❖	❖
Peppercorn Suede	D53	●	●
Praline	PR	❖	❖
Praline Suede	C78	●	●
Saddle	B81	❖	❖
Saddle Suede	C12	●	●
Slate	B64	❖	❖
Slate Suede	C72	●	●
Sunset	SU	❖	
Sunset Suede	D49	●	●
Surfside	E65	●	●
Surfside Suede	E66	●	●
Unfinished	UF	❖	❖
Vintage Canvas	VC	●	●
Vintage Canvas Suede	E42	●	●
Vintage Dove White	VD	●	●
Vintage Dove White Suede	E44	●	●
Vintage Greyloft	B67	●	●
Vintage Greyloft Suede	E45	●	●
Vintage Linen	D91	●	●
Vintage Linen Suede	E46	●	●
Vintage Midnight	B71	●	●
Vintage Midnight Suede	E47	●	●
Vintage Moonshine	D99	●	●
Vintage Moonshine Suede	E48	●	●
Vintage Onyx	VO	●	●
Vintage Onyx Suede	E50	●	●
Vintage Pebble Grey	B86	●	●
Vintage Pebble Grey Suede	E51	●	●

Townley

1/2" Overlay

TWAC9 Cherry Arch	Price Column I
TWSC9 Cherry Square	Price Column I
TWAD9 EverCore® Arch	Price Column F
TWSD9 EverCore® Square	Price Column F
TWAH9 Hickory Arch	Price Column F
TWSH9 Hickory Square	Price Column F
TWAM9 Maple Arch	Price Column G
TWSM9 Maple Square	Price Column G
TWAO9 Oak Arch	Price Column F
TWSO9 Oak Square	Price Column F
TWSA9 Rustic Alder Square	Price Column G



- Solid wood door frame with 2 3/16" stiles and rails, except EverCore®, which will be mechanically compressed wood fiber
- Square design has solid raised panels on wall and base doors, except EverCore®, which will be mechanically compressed wood fiber
- Arch design has arched solid raised panels on wall doors only, except EverCore®, which will be mechanically compressed wood fiber; base doors will be square
- Grain direction does **not** apply to EverCore® doors
- Drawer front varies depending on height
- Concealed hinge
- Decorative Hardware is required for full overlay
- **Note:** Rustic door styles feature knotty or character wood. It contains character marks such as heartwood, worm holes and mineral streaks of varying size. Components of these doors are chosen at random, with the appearance of each individual door varying widely from very rustic to relatively clear and unmarked

Decorative Doors & Inserts Available

Camed Glass

- Palisades
- Penrose
- Victorian
- Yorkshire

Classic Glass

- Bistro
- Prepared for Glass
- Prism ●
- Shadow

Etched Glass

- Crossroads
- Lisbon
- Prairie
- Satina

Layered Glass

- Antiquity
- Mirage
- Silk
- Wintersday

Mullion Doors

- Showcase Mullion ★
- Traditional Mullion ★

Specialty Inserts

- Chalkboard Insert

Textured Glass

- Cascade
- Dolace
- Moire
- Ravenna
- Styx
- Vauxhall

- **Not** available in Arch door styles
- ▲ **Only** available in Cherry & Maple door styles
- ★ **Not** available in EverCore® or Rustic door styles

Townley Finishes

- ❖ Available as Standard
- Premium Upcharge

		TWAC9	TWSC9	TWAD9	TWSD9	TWAH9	TWSH9	TWAM9	TWSM9	TWAO9	TWSO9	TWSA9
		Townley Cherry Arch	Townley Cherry Square	Townley EverCore® Arch	Townley EverCore® Square	Townley Hickory Arch	Townley Hickory Square	Townley Maple Arch	Townley Maple Square	Townley Oak Arch	Townley Oak Square	Townley Rustic Alder
Aged Concrete	E06							●	●			
Aged Papyrus	E05							●	●			
Aged River Rock	E07							●	●			
Autumn Blush	AB	❖	❖							❖	❖	❖
Autumn Blush Suede	C21	●								●	●	●
Autumn Blush W/Onyx Glaze	F81	●	●							●	●	●
Autumn Blush W/Onyx Glaze Suede	F82	●	●							●	●	●
Baltic	D78	❖	❖							❖	❖	❖
Baltic Suede	D80	●	●							●	●	●
Bonsai	E69			●	●			●	●			
Bonsai Suede	E70			●	●			●	●			
Burmese	E67			●	●			●	●			
Burmese Suede	E68			●	●			●	●			
Cannon Grey	D81	❖	❖							❖	❖	❖
Cannon Grey Suede	D83	●	●							●	●	●
Canvas	CV			●	●			●	●			
Canvas Suede	D37			●	●			●	●			
Canvas W/Cinder Highlight	E87							●	●			
Canvas W/Cinder Highlight Suede	E88							●	●			
Canvas W/Cocoa Highlight Suede	E90							●	●			
Canvas W/Cocoa Highlight	E89							●	●			
Chestnut	CN							❖	❖			
Chestnut Suede	C23							●	●			
Chocolate	CC	❖	❖					❖	❖			❖
Chocolate Suede	D87	●	●					●	●			●
Chocolate W/Ebony Glaze	F87	●	●									
Chocolate W/Ebony Glaze Suede	F88	●	●									●
Cognac	CO	❖	❖			❖	❖	❖	❖	❖	❖	❖
Cognac Suede	D85	●	●			●	●	●	●	●	●	●
ColorMatch	CC1			●	●			●	●			
ColorMatch Suede	CC2			●	●			●	●			
Dove White	DW			●	●			●	●			
Dove White Suede	D40			●	●			●	●			
Dove White W/Cinder Highlight	E93							●	●			
Dove White W/Cinder Highlight Suede	E94							●	●			
Dove White W/Cocoa Highlight	E95							●	●			
Dove White W/Cocoa Highlight Suede	E96							●	●			
Fawn	FN									❖	❖	
Fawn Suede	D51									●	●	
Ginger	C88	❖	❖			❖	❖	❖	❖	❖	❖	❖
Ginger Suede	C19	●	●			●	●	●	●	●	●	●
Ginger W/Sable Glaze	F91	●	●			●	●	●	●	●	●	●
Ginger W/Sable Glaze Suede	F92	●	●			●	●	●	●	●	●	●
Greyloft	B65			●	●			●	●			
Greyloft Suede	D41			●	●			●	●			
Greyloft W/Sable Highlight	E97							●	●			
Greyloft W/Sable Highlight Suede	E98							●	●			
Honey Spice	HS	❖	❖			❖	❖	❖	❖	❖	❖	❖
Honey Spice Suede	D88	●	●			●	●	●	●	●	●	●
Husk	B82	❖	❖			❖	❖			❖	❖	❖
Husk Suede	C13	●	●			●	●	●	●	●	●	●
Kaffé	KA	❖	❖			❖	❖	❖	❖	❖	❖	❖
Kaffé Suede	C27	●	●			●	●	●	●	●	●	●
Lagoon	E63			●	●			●	●			
Lagoon Suede	E64			●	●			●	●			
Linen	D90			●	●			●	●			

Townley Finishes continued

❖ Available as Standard
● Premium Upcharge

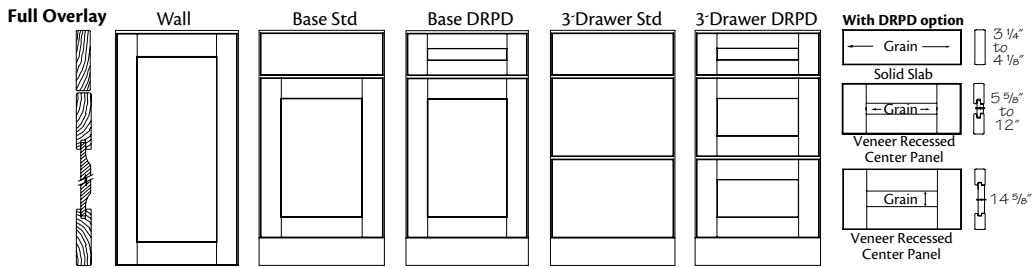
		TWAC9	TWSC9	TWAD9	TWSD9	TWAH9	TWSH9	TWAM9	TWSM9	TWAO9	TWSO9	TWSA9
		Townley Cherry Arch	Townley Cherry Square	Townley EverCore® Arch	Townley EverCore® Square	Townley Hickory Arch	Townley Hickory Square	Townley Maple Arch	Townley Maple Square	Townley Oak Arch	Townley Oak Square	Townley Rustic Alder
Linen Suede	D93			●	●			●	●			
Linen W/Cinder Highlight	E99							●	●			
Linen W/Cinder Highlight Suede	F00							●	●			
Linen W/Cocoa Highlight	F01							●	●			
Linen W/Cocoa Highlight Suede	F02							●	●			
Midnight	B69			●	●			●	●			
Midnight Suede	D42			●	●			●	●			
Midnight W/Onyx Highlight	F03							●	●			
Midnight W/Onyx Highlight Suede	F04							●	●			
Molasses	E58	❖	❖			❖	❖	❖	❖	❖	❖	❖
Molasses Suede	E59	●	●			●	●	●	●	●	●	●
Moonshine	D98			●	●			●	●			
Moonshine Suede	E02			●	●			●	●			
Moonshine W/Cinder Highlight	F05							●	●			
Moonshine W/Cinder Highlight Suede	F06							●	●			
Moonshine W/Cocoa Highlight	F07							●	●			
Moonshine W/Cocoa Highlight Suede	F08							●	●			
Natural	NA	❖	❖			❖	❖	❖	❖	❖	❖	❖
Natural Suede	D89	●	●			●	●	●	●	●	●	●
Onyx	A21			●	●			●	●			
Onyx Suede	D44			●	●			●	●			
Pebble Grey	B83			●	●			●	●			
Pebble Grey Suede	D45			●	●			●	●			
Pebble Grey W/Cocoa Highlight	F09							●	●			
Pebble Grey W/Cocoa Highlight Suede	F10							●	●			
Peppercorn	PC	❖	❖					❖	❖	❖	❖	❖
Peppercorn Suede	D53	●	●					●	●	●	●	●
Praline	PR	❖	❖			❖	❖	❖	❖	❖	❖	❖
Praline Suede	C78	●	●			●	●	●	●	●	●	●
Saddle	B81	❖	❖			❖	❖	❖	❖	❖	❖	❖
Saddle Suede	C12	●	●			●	●	●	●	●	●	●
Slate	B64	❖	❖			❖	❖	❖	❖	❖	❖	❖
Slate Suede	C72	●	●			●	●	●	●	●	●	●
Sunset	SU	❖	❖			❖	❖					❖
Sunset Suede	D49	●	●			●	●					●
Surfside	E65			●	●			●	●			
Surfside Suede	E66			●	●			●	●			
Unfinished	UF	❖	❖			❖	❖	❖	❖	❖	❖	❖

Notes

Turner

Full Overlay

AJ0C9	Cherry	Price Column K
AJ0M9	Maple	Price Column I
AJ0O9	Quartersawn Oak	Price Column G
AJ0A9	Rustic Alder	Price Column I



- Solid wood door frame with 3" stiles and rails
- Square veneer recessed panel on wall and base doors
- Slab drawer front
- Deluxe Recessed Panel Drawer (DRPD) front available
- Concealed hinge
- Decorative hardware is required

Decorative Doors & Inserts Available

Aluminum Frame Glass

- Fresco Brushed Aluminum
- Vetro Brushed Aluminum

Camed Glass

- Classic Camed Insert
- Palisades
- Penrose
- Victorian
- Yorkshire

Classic Glass

- Bistro
- Prepared for Glass
- Prism
- Shadow

Etched Glass

- Crossroads
- Lisbon
- Modern Frosted Insert
- Prairie
- Satina

Layered Glass

- Antiquity
- Mirage
- Silk
- Wintersday

Mullion Doors

- Castlegate ★
- Evansville ★
- Hewitt ★
- Showcase Mullion ★
- Traditional Mullion★

Specialty Inserts

- Chalkboard Insert

Textured Glass

- Cascade
- Dolace
- Modern Textured Insert
- Moire
- Ravenna
- Styx
- Vauxhall

★ **Not** available in Rustic door styles

Turner Finishes

- ❖ Available as Standard
- Premium Upcharge

		AJ0C9	AJ0M9	AJ0O9	AJ0A9
		Turner Cherry	Turner Maple	Turner Quartersawn Oak	Turner Rustic Alder
Autumn Blush	AB	❖		❖	❖
Autumn Blush Suede	C21	●		●	●
Autumn Blush W/Onyx Glaze	F81	●		●	●
Autumn Blush W/Onyx Glaze Suede	F82	●		●	●
Baltic	D78	❖		❖	❖
Baltic Suede	D80	●		●	●
Bonsai	E69		●		
Bonsai Suede	E70		●		
Burmese	E67		●		
Burmese Suede	E68		●		
Cannon Grey	D81	❖		❖	❖
Cannon Grey Suede	D83	●		●	●
Canvas	CV		●		
Canvas Suede	D37		●		
Canvas W/Cinder Highlight	E87		●		
Canvas W/Cinder Highlight Suede	E88		●		
Canvas W/Cocoa Highlight Suede	E90		●		
Canvas W/Cocoa Highlight	E89		●		
Chestnut	CN		❖		
Chestnut Suede	C23		❖		
Chocolate	CC	❖		❖	❖
Chocolate Suede	D87	●		●	●
Chocolate W/Ebony Glaze	F87	●		●	●
Chocolate W/Ebony Glaze Suede	F88	●		●	●
Cognac	CO	❖	❖	❖	❖
Cognac Suede	D85	●	●	●	●
ColorMatch	CC1		●		
ColorMatch Suede	CC2		●		
Dove White	DW		●		
Dove White Suede	D40		●		
Dove White W/Cinder Highlight	E93		●		
Dove White W/Cinder Highlight Suede	E94		●		
Dove White W/Cocoa Highlight	E95		●		
Dove White W/Cocoa Highlight Suede	E96		●		
Fawn	FN		❖		
Fawn Suede	D51		●		
Ginger	C88	❖	❖	❖	❖
Ginger Suede	C19	●	●	●	●
Ginger W/Sable Glaze	F91	●	●	●	●
Ginger W/Sable Glaze Suede	F92	●	●	●	●
Greyloft	B65		●		
Greyloft Suede	D41		●		
Greyloft W/Sable Highlight	E97		●		
Greyloft W/Sable Highlight Suede	E98		●		
Honey Spice	HS	❖	❖	❖	❖
Honey Spice Suede	D88	●	●	●	●
Husk	B82	❖	❖	❖	❖
Husk Suede	C13	●	●	●	●
Kaffé	KA	❖	❖	❖	❖
Kaffé Suede	C27	●	●	●	●
Lagoon	E63		●		
Lagoon Suede	E64		●		
Linen	D90		●		
Linen Suede	D93		●		
Linen W/Cinder Highlight	E99		●		
Linen W/Cinder Highlight Suede	F00		●		
Linen W/Cocoa Highlight	F01		●		
Linen W/Cocoa Highlight Suede	F02		●		
Midnight	B69		●		
Midnight Suede	D42		●		
Midnight W/Onyx Highlight	F03		●		
Midnight W/Onyx Highlight Suede	F04		●		
Molasses	E58	❖	❖	❖	❖
Molasses Suede	E59	●	●	●	●
Moonshine	D98		●		
Moonshine Suede	E02		●		

		AJ0C9	AJ0M9	AJ0O9	AJ0A9
		Turner Cherry	Turner Maple	Turner Quartersawn Oak	Turner Rustic Alder
Moonshine W/Cinder Highlight	F05		●		
Moonshine W/Cinder Highlight Suede	F06		●		
Moonshine W/Cocoa Highlight	F07		●		
Moonshine W/Cocoa Highlight Suede	F08		●		
Natural	NA	❖	❖	❖	❖
Natural Suede	D89	●	●	●	●
Onyx	A21		●	●	
Onyx Suede	D44		●	●	
Pebble Grey	B83		●		
Pebble Grey Suede	D45		●		
Pebble Grey W/Cocoa Highlight	F09		●		
Pebble Grey W/Cocoa Highlight Suede	F10		●		
Peppercorn	PC	❖	❖	❖	❖
Peppercorn Suede	D53	●	●	●	●
Praline	PR	❖	❖	❖	❖
Praline Suede	C78	●	●	●	●
Saddle	B81	❖	❖	❖	❖
Saddle Suede	C12	●	●	●	●
Slate	B64	❖	❖	❖	
Slate Suede	C72	●	●	●	
Sunset	SU	❖			❖
Sunset Suede	D49	●			●
Surfside	E65		●		
Surfside Suede	E66		●		
Unfinished	UF	❖	❖	❖	❖

Vega

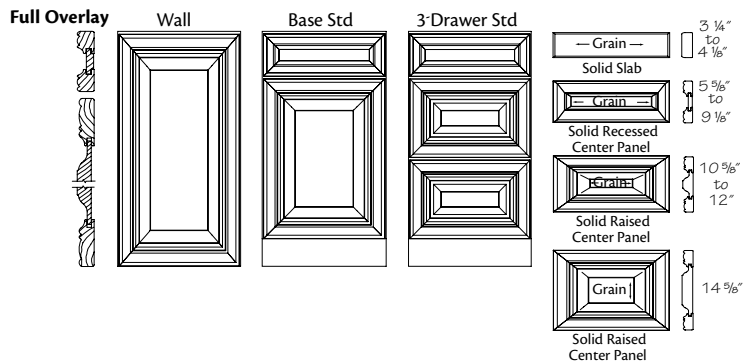
Full Overlay

AA1C9 Cherry

Price Column R

AA1M9 Maple

Price Column Q



- Solid wood mitered door frame with 3" stiles and rails
- Square solid raised panel on wall and base doors
- Drawer front varies depending on height
- Concealed hinge
- Decorative hardware is required

Decorative Doors & Inserts Available

Aluminum Frame Glass

- Fresco Brushed Aluminum
- Vetro Brushed Aluminum

Camed Glass

- Classic Camed Insert
- Palisades
- Penrose
- Victorian
- Yorkshire

Classic Glass

- Bistro
- Prepared for Glass
- Prism
- Shadow

Etched Glass

- Crossroads
- Lisbon
- Modern Frosted Insert
- Prairie
- Satina

Layered Glass

- Antiquity
- Mirage
- Silk
- Wintersday

Mullion Doors

- Castlegate
- Evansville
- Hewitt
- Showcase Mullion
- Traditional Mullion

Specialty Inserts

- Chalkboard Insert

Textured Glass

- Cascade
- Dolace
- Modern Textured Insert
- Moire
- Ravenna
- Styx
- Vauxhall

Vega Finishes

- ❖ Available as Standard
- Premium Upcharge

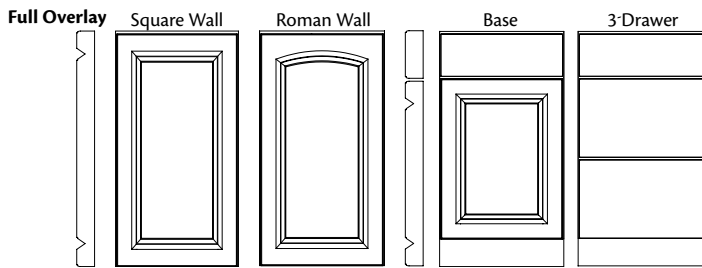
		Vega Cherry Square	Vega Maple Square
		AA1C9	AA1M9
Aged Concrete	E06	●	●
Aged Papyrus	E05	●	●
Aged River Rock	E07	●	●
Autumn Blush	AB	❖	
Autumn Blush Suede	C21	●	●
Autumn Blush W/Onyx Glaze	F81	●	●
Autumn Blush W/Onyx Glaze Suede	F82	●	●
Baltic	D78	❖	
Baltic Suede	D80	●	●
Bonsai	E69	●	●
Bonsai Suede	E70	●	●
Burmese	E67	●	●
Burmese Suede	E68	●	●
Cannon Grey	D81	❖	
Cannon Grey Suede	D83	●	●
Canvas	CV	●	●
Canvas Suede	D37	●	●
Canvas W/Cinder Highlight	E87	●	●
Canvas W/Cinder Highlight Suede	E88	●	●
Canvas W/Cocoa Highlight Suede	E90	●	●
Canvas W/Cocoa Highlight	E89	●	●
Chestnut	CN	❖	
Chestnut Suede	C23	●	●
Chocolate	CC	❖	❖
Chocolate Suede	D87	●	●
Chocolate W/Ebony Glaze	F87	●	●
Chocolate W/Ebony Glaze Suede	F88	●	●
Cognac	CO	❖	❖
Cognac Suede	D85	●	●
ColorMatch	CC1	●	●
ColorMatch Suede	CC2	●	●
Distressed Autumn Blush	C22	●	●
Distressed Baltic	D79	●	●
Distressed Cannon Grey	D82	●	●
Distressed Chestnut	C24	●	●
Distressed Chocolate	D86	●	●
Distressed Cognac	D84	●	●
Distressed Ginger	C20	●	●
Distressed Husk	C15	●	●
Distressed Kaffé	C28	●	●
Distressed Molasses	E60	●	●
Distressed Peppercorn	C86	●	●
Distressed Praline	C79	●	●
Distressed Saddle	C14	●	●
Distressed Slate	C73	●	●
Distressed Sunset	D50	●	●
Dove White	DW	●	●
Dove White Suede	D40	●	●
Dove White W/Cinder Highlight	E93	●	●
Dove White W/Cinder Highlight Suede	E94	●	●
Dove White W/Cocoa Highlight	E95	●	●
Dove White W/Cocoa Highlight Suede	E96	●	●
Ginger	C88	❖	❖
Ginger Suede	C19	●	●
Ginger W/Sable Glaze	F91	●	●
Ginger W/Sable Glaze Suede	F92	●	●
Greyloft	B65	●	●
Greyloft Suede	D41	●	●
Greyloft W/Sable Highlight	E97	●	●
Greyloft W/Sable Highlight Suede	E98	●	●
Honey Spice	HS	❖	❖
Honey Spice Suede	D88	●	●
Husk	B82	❖	
Husk Suede	C13	●	●
Kaffé	KA	❖	❖
Kaffé Suede	C27	●	●
Lagoon	E63	●	●

		Vega Cherry Square	Vega Maple Square
		AA1C9	AA1M9
Lagoon Suede	E64	●	●
Linen	D90	●	●
Linen Suede	D93	●	●
Linen W/Cinder Highlight	E99	●	●
Linen W/Cinder Highlight Suede	F00	●	●
Linen W/Cocoa Highlight	F01	●	●
Linen W/Cocoa Highlight Suede	F02	●	●
Midnight	B69	●	●
Midnight Suede	D42	●	●
Midnight W/Onyx Highlight	F03	●	●
Midnight W/Onyx Highlight Suede	F04	●	●
Molasses	E58	❖	❖
Molasses Suede	E59	●	●
Moonshine	D98	●	●
Moonshine Suede	E02	●	●
Moonshine W/Cinder Highlight	F05	●	●
Moonshine W/Cinder Highlight Suede	F06	●	●
Moonshine W/Cocoa Highlight	F07	●	●
Moonshine W/Cocoa Highlight Suede	F08	●	●
Natural	NA	❖	❖
Natural Suede	D89	●	●
Onyx	A21	●	●
Onyx Suede	D44	●	●
Pebble Grey	B83	●	●
Pebble Grey Suede	D45	●	●
Pebble Grey W/Cocoa Highlight	F09	●	●
Pebble Grey W/Cocoa Highlight Suede	F10	●	●
Peppercorn	PC	❖	❖
Peppercorn Suede	D53	●	●
Praline	PR	❖	❖
Praline Suede	C78	●	●
Saddle	B81	❖	❖
Saddle Suede	C12	●	●
Slate	B64	❖	❖
Slate Suede	C72	●	●
Sunset	SU	❖	
Sunset Suede	D49	●	●
Surfside	E65	●	●
Surfside Suede	E66	●	●
Unfinished	UF	❖	❖
Vintage Canvas	VC	●	●
Vintage Canvas Suede	E42	●	●
Vintage Dove White	VD	●	●
Vintage Dove White Suede	E44	●	●
Vintage Greyloft	B67	●	●
Vintage Greyloft Suede	E45	●	●
Vintage Linen	D91	●	●
Vintage Linen Suede	E46	●	●
Vintage Midnight	B71	●	●
Vintage Midnight Suede	E47	●	●
Vintage Moonshine	D99	●	●
Vintage Moonshine Suede	E48	●	●
Vintage Onyx	VO	●	●
Vintage Onyx Suede	E50	●	●
Vintage Pebble Grey	B86	●	●
Vintage Pebble Grey Suede	E51	●	●

Winterport

Full Overlay

- EWR9** Arch White Thermofoil Price Column C
- EWS9** White Thermofoil Price Column C



- Thermofoil on 3/4" thick MDF substrate
- Square design has raised center panel on wall and base doors
- Arch design has raised panels on wall doors only; base doors will be square
- Slab drawer front
- Concealed hinge
- Decorative hardware is required



Remember, all Foil and Thermofoil door styles will have a natural birch interior and a white laminate exterior. Also, the underside of the cabinets are natural birch. To cover the underside, order an Under Cabinet Panel.

Decorative Doors & Inserts Available

Aluminum Frame Glass

- Fresco Brushed Aluminum
- Vetro Brushed Aluminum

Camed Glass

- Classic Camed Insert
- Palisades
- Penrose
- Victorian
- Yorkshire

Classic Glass

- Bistro
- Prepared for Glass
- Prism ★
- Shadow

Etched Glass

- Crossroads
- Lisbon
- Modern Frosted Insert ★
- Prairie
- Satina

Layered Glass

- Antiquity
- Mirage
- Silk
- Wintersday

Mullion Doors

- Traditional Mullion

Specialty Inserts

- Chalkboard Insert

Textured Glass

- Cascade
- Dolace
- Modern Textured Insert
- Moire
- Ravenna
- Styx
- Vauxhall

★ Not available in Arch door styles

Winterport Finishes

- ❖ Available as Standard
- Premium Upcharge

❖	White	WH	❖	Winterport White Arch	EW/R9
❖			●	Winterport White Square	EW/S9

Notes

Notes

Notes

Finish Terminology

- End Grain

End grain surfaces and softer areas of the wood may accept more stain and often appear darker than other surfaces. This is a natural reaction when finishing wood products and potential variances **cannot** be controlled

- Joint Lines

Since wood is in a constant state of expansion and contraction, visible lines are normal at the joints on the cabinet face frames and doors. This does **not** weaken the finish or the strength of the joint

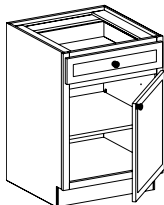
- Telegraphing

Show through or "telegraphing" of wood characteristics may happen when paint is applied to any specie of natural wood. These characteristics, such as open grain, pin holes, knots and mineral streaks, may be visible through the paint. Telegraphing may happen on doors, face frames, moldings, decorative end panels or other decorative enhancements made of natural wood. Please consider this when selling any of our finishes that feature paint as the base technique, including paint with highlight and vintage techniques

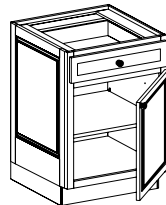
Note: Individual veneer doors vary in absorption of finishes and glaze hang-up or highlights. Also, veneer door styles, which are usually simple door designs, may **not** contain as much glaze hang-up or highlights as ornate door designs. Therefore, it is recommended that a sample veneer door be viewed in the desired finish before placing a full kitchen order

Note: Based on independent testing, discoloration will occur to doors, drawers and cabinet parts after prolonged exposure to tobacco smoke. This is especially noticeable on white and other lighter finishes. However, the manufacturer does **not** warranty any of its finishes against discoloration due to exposure to smoke

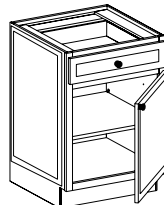
Examples of ways to finish ends:



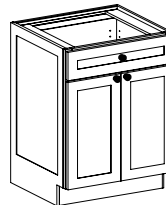
Wood Skin



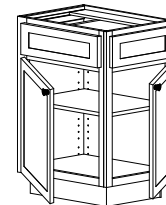
Matching End Panel



Wood Skin with Replacement Door



Integrated End



Operational End

Warping, Cracking & Proper Humidity

As a natural characteristic, all wood products contain moisture. Changes in temperature and humidity affect the moisture content in wood, which causes wood to expand or contract. Over time, this expansion or contraction can cause warping and joint cracks to occur, potentially causing permanent deformations, in wood cabinetry.

To help prevent excessive movement in your wood cabinetry, we recommend maintaining a controlled environment of 70 to 75 degrees Fahrenheit and 30% to 50% humidity in the areas where your cabinetry is stored or installed. Environmental conditions **cannot** be controlled by the manufacture and the effects of the movement in wood is **not** considered to be a manufacturing defect and will **not** be considered a reason for replacement.

See the doors section of this book for door specie information and descriptions

Note: Wood products, including cabinet doors and face frames, are typically affected by environmental conditions. Color variation over time, as well as normal movement due to wood's expansion and contraction is part of the natural beauty of wood. This normal movement may cause hairline cracks in the finish surface at the joints and is considered a normal characteristic of semi-opaque or painted finishes. This will **not** be considered a reason for product replacement

Standard Thermofoil Finishes

- **White**
Solid white color Thermofoil with a satin finish
- **WH** White

High-Gloss Foil Finishes

- **Dove White**
White color Thermofoil with a high-gloss finish
- **D58L**

Wood-Grain Foil Finishes

- **Cannon Grey**
A medium grey Thermofoil with a wood-grain finish
- **D81O**
- **Dove White**
A white Thermofoil with a wood-grain finish
- **WH**

Standard Stains

- Stain Finish Process

Stained finishes truly showcase the natural beauty and characteristics inherent in each individual wood species. Based on the stain color chosen, a toner may be applied to the wood to equalize natural sap levels. The stain color is applied and hand-rubbed to ensure full and equal color coverage for doors and drawer fronts

As a final step, our oven-cured MasterCoat™ topcoat is applied to provide a beautiful and durable furniture finish.

Finish availability may vary by door style. See Finish Availability Chart

- Autumn Blush

A warm, rich brown stained finish with reddish overtones

- **ABA** Alder
- **ABC** Cherry
- **ABO** Oak

- Baltic

A light grey stain with warm undertones that enhances the beauty of the wood grain

- **D78A** Alder
- **D78C** Cherry
- **D78O** Oak

- Cannon Grey

A medium grey stain with cool undertones that enhances the beauty of the wood grain

- **D81A** Alder
- **D81C** Cherry
- **D81O** Oak

- Chestnut

Medium brown stained finish with reddish overtones

- **CNM** Maple

- Chocolate

Luscious, medium-brown stained finish

- **CCA** Alder
- **CCC** Cherry
- **CCM** Maple

- Cognac

Medium brown stained finish with pale yellow and dark brown undertones

- **COA** Alder
- **COC** Cherry
- **COH** Hickory
- **COM** Maple
- **COO** Oak

- Fawn

A soft nut brown stained finish

- **FNO** Oak

- Ginger

A light reddish-brown stained finish with warm undertones

- **C88A** Alder
- **C88C** Cherry
- **C88H** Hickory
- **C88M** Maple
- **C88O** Oak

- Honey Spice

A warm golden stained finish

- **HSA** Alder
- **HSC** Cherry
- **HSH** Hickory
- **HSM** Maple
- **HSO** Oak

- Husk

A neutral camel stained finish with a dark patina that highlights the natural wood grain characteristics and details. Colors ranging from light tan to dark brown are qualities that can be expected in the finished product

- **B82A** Alder
- **B82C** Cherry
- **B82H** Hickory
- **B82O** Oak

- Kaffé

A warm, rich brown stained finish with deep brown undertones and black overtones

- **KAA** Alder
- **KAC** Cherry
- **KAH** Hickory
- **KAM** Maple
- **KAO** Oak

- Molasses

A cool, deep, grey-brown stained finish

- **E58A** Alder
- **E58C** Cherry
- **E58H** Hickory
- **E58M** Maple
- **E58O** Oak

- Natural

Two coats of clear, colorless topcoat on unstained wood

- **NAA** Alder
- **NAC** Cherry
- **NAH** Hickory
- **NAM** Maple
- **NAO** Oak

- Peppercorn

A dark brown stained finish with rich black overtones

- **PCA** Alder
- **PCC** Cherry
- **PCM** Maple
- **PCO** Oak

- Praline

A golden stained finish with yellow overtones

- **PRA** Alder
- **PRC** Cherry
- **PRH** Hickory
- **PRM** Maple
- **PRO** Oak

- Saddle

A cool, deep, smoky brown stained finish that is reminiscent of walnut

- **B81A** Alder
- **B81C** Cherry
- **B81H** Hickory
- **B81M** Maple
- **B81O** Oak

- **Slate**

A sheer, rich grey stained finish that enhances the beauty of the wood grain

- **B64C** Cherry
- **B64H** Hickory
- **B64M** Maple
- **B64O** Oak

- **Sunset**

A medium brown stained finish

- **SUA** Alder
- **SUC** Cherry
- **SUH** Hickory

- **Unfinished**

Our cabinetry, moldings and accessories are available unfinished. If you select the unfinished option, you **must** order unfinished wood veneer skins, plywood construction (PE) or plywood ends (PEB) for all cabinets with exposed ends. Unfinished cabinetry will be supplied with standard printed woodgrain laminate interior. To get unfinished wood veneer interiors, you **must** order each cabinet with a Matching Interior (MI) option other than Matching Interior Standard Construction (MIV). On cabinets that are standard MIV, you **must** order each cabinet with a Matching Interior option other than MIV. Order each cabinet with Furniture Plywood Ends (FPEB) or place the cabinets on an order with All Plywood Construction (APC)

Note: Unfinished cabinets lack the protection of a finish coat and are more susceptible to damage from variations in temperature and humidity. For this reason, we do **not** recommend or warranty this option.

Note: If ordering unfinished cabinets and you intend to stain them, note that with certain models glass may be permanently attached with silicon. This will result in uneven color or inability to stain all surface areas. Order cabinets without glass in order to achieve even staining

Note: Unfinished Cabinets will **not** meet sections 8 and 9 of the KCMA standard (ANSI/KCMA A16.1-2017)

- **UFA** Alder
- **UFC** Cherry
- **UFH** Hickory
- **UFM** Maple
- **UFO** Oak

Premium Stain w/Suede Topcoat Finishes

- Stain w/Suede Topcoat Finish Process

Stained finishes truly showcase the natural beauty and characteristics inherent in each individual wood species. Based on the stain color chosen, a toner may be applied to the wood to equalize natural sap levels. The stain color is applied and hand-rubbed to ensure full and equal color coverage for doors and drawer fronts

As a final step, a matte sheen, Suede MasterCoat™ topcoat is applied that softens the overall color tone, giving a more subtle and sophisticated appearance to cabinetry.

Finish availability may vary by door style. See Finish Availability Chart

- Autumn Blush Suede

A warm, rich brown stained finish with reddish overtones with a matte topcoat that softens the color tone and wood characteristics

- **C21A** Alder
- **C21C** Cherry
- **C21O** Oak

- Baltic Suede

A light grey stain with warm undertones with a matte topcoat that softens the color tone and wood characteristics

- **D80A** Alder
- **D80C** Cherry
- **D80O** Oak

- Cannon Grey Suede

A medium grey stain with cool undertones with a matte topcoat that softens the color tone and wood characteristics

- **D83A** Alder
- **D83C** Cherry
- **D83O** Oak

- Chestnut Suede

Medium brown stained finish with a matte topcoat that softens the color tone and wood characteristics

- **C23M** Maple

- Chocolate Suede

Luscious, medium-brown stained finish with a matte topcoat that softens the color tone and wood characteristics

- **D87A** Alder
- **D87C** Cherry
- **D87M** Maple

- Cognac Suede

Medium brown stained finish with pale yellow and dark brown undertones with a matte topcoat that softens the color tone and wood characteristics

- **D85A** Alder
- **D85C** Cherry
- **D85H** Hickory
- **D85M** Maple
- **D85O** Oak

- Fawn Suede

A soft nut brown stained finish with a matte topcoat that softens the color tone and wood characteristics

- **D51O** Oak

- Ginger Suede

A light reddish-brown stained finish with a matte top coat that softens the color tone and wood characteristics

- **C19A** Alder
- **C19C** Cherry
- **C19H** Hickory
- **C19M** Maple
- **C19O** Oak

- Honey Spice Suede

A warm golden stained finish with a matte topcoat that softens the color tone and wood characteristics

- **D88A** Alder
- **D88C** Cherry
- **D88H** Hickory
- **D88M** Maple
- **D88O** Oak

- Husk Suede

A neutral camel stained finish with a matte topcoat that softens the color tone and wood characteristics

- **C13A** Alder
- **C13C** Cherry
- **C13H** Hickory
- **C13O** Oak

- Kaffé Suede

A warm, rich brown stained finish with deep brown undertones and black overtones with a matte topcoat that softens the color tone and wood characteristics

- **C27A** Alder
- **C27C** Cherry
- **C27H** Hickory
- **C27M** Maple
- **C27O** Oak

- Molasses Suede

A cool, deep, grey-brown stained finish with a matte topcoat that softens the color tone and wood characteristics

- **E59A** Alder
- **E59C** Cherry
- **E59H** Hickory
- **E59M** Maple
- **E59O** Oak

- Natural Suede

Two coats of clear, matte, colorless topcoat that softens the wood characteristics

- **D89A** Alder
- **D89C** Cherry
- **D89H** Hickory
- **D89M** Maple
- **D89O** Oak

- Peppercorn Suede

A dark brown stained finish with rich black overtones with a matte topcoat that softens the color tone and wood characteristics

- **D53A** Alder
- **D53C** Cherry
- **D53M** Maple
- **D53O** Oak

- **Praline Suede**

A golden stained finish with yellow overtones with a matte topcoat that softens the color tone and wood characteristics

- **C78A** Alder
- **C78C** Cherry
- **C78H** Hickory
- **C78M** Maple
- **C78O** Oak

- **Saddle Suede**

A cool, deep, smoky brown stained finish with a matte top coat that softens the color tone and wood characteristics

- **C12A** Alder
- **C12C** Cherry
- **C12H** Hickory
- **C12M** Maple
- **C12O** Oak

- **Slate Suede**

A sheer, rich grey stained finish with a matte topcoat that softens the color tone and wood characteristics

- **C72C** Cherry
- **C72H** Hickory
- **C72M** Maple
- **C72O** Oak

- **Sunset Suede**

A medium brown stained finish with a matte topcoat that softens the color tone and wood characteristics

- **D49A** Alder
- **D49C** Cherry
- **D49H** Hickory

Premium Stain w/Glaze Finishes

- Stain w/Glaze Finish Process

Glazed finishes add richness and warmth to wood surfaces.

The base stain or paint finish is applied, followed by the application of a glaze finish to the entire door or drawer front to add richness and warmth to wood surfaces.

The glaze is then hand-wiped to create soft, light “hang-up” in profiles and recesses of the wood.

A glaze highlight is hand-applied to detail the recesses of applicable door and drawer designs.

Each door design, wood species and glaze finish has its own charming character and will create a unique, one-of-a-kind look.

Natural wood characteristics such as gum pockets, streaks and pin knots may be visible, particularly with some of our lighter paints. These characteristics tend to be more pronounced on the backs of our doors and drawers

As a final step, our oven-cured MasterCoat™ topcoat is applied to provide a beautiful and durable furniture finish.

Finish availability may vary by door style. See Finish Availability Chart

- Autumn Blush w/Onyx Glaze

Warm, rich reddish-brown background stained finish with shadowy black glaze hang-up in corners and profile recesses

- **F81A** Alder
- **F81C** Cherry
- **F81O** Oak

- Chocolate w/Ebony Glaze

Luscious, medium brown background stained finish with classic black glaze hang-up in corners and profile recesses

- **F87A** Alder
- **F87C** Cherry

- Ginger w/Sable Glaze

A light reddish-brown stained finish with rich brown glaze hang-up in corners and profile recesses

- **F91A** Alder
- **F91C** Cherry
- **F91H** Hickory
- **F91M** Maple
- **F91O** Oak

Premium Stain w/Glaze Suede Topcoat Finishes

- Stain w/Glaze Suede

Glazed finishes add richness and warmth to wood surfaces.

The base stain or paint finish is applied, followed by the application of a glaze finish to the entire door or drawer front to add richness and warmth to wood surfaces.

The glaze is then hand-wiped to create soft, light “hang-up” in profiles and recesses of the wood.

A glaze highlight is hand-applied to detail the recesses of applicable door and drawer designs.

Each door design, wood species and glaze finish has its own charming character and will create a unique, one-of-a-kind look.

Natural wood characteristics such as gum pockets, streaks and pin knots may be visible, particularly with some of our lighter paints. These characteristics tend to be more pronounced on the backs of our doors and drawers

As a final step, a matte sheen, Suede MasterCoat™ topcoat is applied that softens the overall color tone, giving a more subtle and sophisticated appearance to cabinetry.

Finish availability may vary by door style. See Finish Availability Chart

- Autumn Blush w/Onyx Glaze Suede

Warm, rich reddish brown background stained finish with shadowy black glaze hang-up in corners and profile recesses and a matte topcoat that softens the color tone and wood

- **F82A** Alder
- **F82C** Cherry
- **F82O** Oak

- Chocolate w/Ebony Glaze Suede

Luscious, medium brown background stained finish with classic black glaze hang-up in corners and profile recesses and a matte topcoat that softens the color tone and wood characteristics

- **F88A** Alder
- **F88C** Cherry

- Ginger w/Sable Glaze Suede

A light reddish-brown stained finish with rich brown glaze hang-up in corners and profile recesses and a matte topcoat that softens the color tone and wood characteristics

- **F92A** Alder
- **F92C** Cherry
- **F92H** Hickory
- **F92M** Maple
- **F92O** Oak

Premium Distressed Stain Finishes

- Distressed Stain Finish Process

Our distressing technique evokes the look of reclamation and restoration. These effects are hand applied artisan methods that are random and inconsistent in appearance. The techniques are designed to replicate the look of reclaimed wood that has been repurposed. The effects include edge rasping, worm holes, edge burnishing, softened corners, random industrial distressing and a suede top coat.

The multi-step process begins with a light, artistic, over sanding technique applied to corners and relief areas of doors and drawers. Panels and profiles of unfinished doors and drawer fronts receive randomly applied worm holing, edge rasping, and distressing techniques.

Next, a heavy, dark burnishing stain is artistically applied to all corners and raised portions of the doors and drawer fronts.

Following the burnishing process, a coat of base stain color is applied then hand wiped to reveal the beauty and inherent natural characteristics of the wood

As a final step, a matte sheen, Suede MasterCoat™ topcoat is applied that softens the overall color tone, giving a more subtle and sophisticated appearance to cabinetry.

Finish availability may vary by door style. See Finish Availability Chart

- Distressed Autumn Blush

A warm, rich brown stained finish with reddish overtones with the distressed technique applied

- **C22A** Alder
- **C22C** Cherry
- **C22O** Oak

- Distressed Baltic

A light grey stain with warm undertones with distressed technique

- **D79A** Alder
- **D79C** Cherry
- **D79O** Oak

- Distressed Cannon Grey

A medium grey stain with cool undertones with distressed technique

- **D82A** Alder
- **D82C** Cherry
- **D82O** Oak

- Distressed Chestnut

Medium brown stained finish with reddish overtones with the distressed technique applied

- **C24M** Maple

- Distressed Chocolate

Luscious, medium-brown stained finish with distressed technique applied

- **D86A** Alder
- **D86C** Cherry
- **D86M** Maple

- Distressed Cognac

Medium brown stained finish with pale yellow and dark brown undertones with distressed technique

- **D84A** Alder
- **D84C** Cherry
- **D84H** Hickory
- **D84M** Maple
- **D84O** Oak

- Distressed Fawn

A soft nut brown stained finish with the distressed technique applied

- **D52O** Oak

- Distressed Ginger

A light reddish-brown stained finish with the distressed technique applied

- **C20A** Alder
- **C20C** Cherry
- **C20H** Hickory
- **C20M** Maple
- **C20O** Oak

- Distressed Husk

A neutral camel stained finish with the distressed technique applied

- **C15A** Alder
- **C15C** Cherry
- **C15H** Hickory
- **C15M** Maple
- **C15O** Oak

- Distressed Kaffé

A warm, rich brown stained finish with deep brown undertones and black overtones with the distressed technique applied

- **C28A** Alder
- **C28C** Cherry
- **C28H** Hickory
- **C28M** Maple
- **C28O** Oak

- Distressed Molasses

A cool, deep, grey-brown stained finish with the distressed technique applied

- **E60A** Alder
- **E60C** Cherry
- **E60H** Hickory
- **E60M** Maple
- **E60O** Oak

- Distressed Peppercorn

A dark brown stained finish with rich black overtones with the distressed technique applied

- **C86A** Alder
- **C86C** Cherry
- **C86M** Maple
- **C86O** Oak

- Distressed Praline

A golden stained finish with yellow overtones with the distressed technique applied

- **C79A** Alder
- **C79C** Cherry
- **C79H** Hickory
- **C79M** Maple
- **C79O** Oak

- Distressed Saddle

A cool, deep, smoky brown stained finish with the distressed technique applied

- **C14A** Alder
- **C14C** Cherry
- **C14H** Hickory
- **C14M** Maple
- **C14O** Oak

- Distressed Slate

A sheer, rich grey stained finish with the distressed technique applied

- **C73C** Cherry
- **C73H** Hickory
- **C73M** Maple
- **C73O** Oak

- Distressed Sunset

A medium brown stained finish with the distressed technique applied

- **D50A** Alder
- **D50C** Cherry
- **D50H** Hickory

Premium Painted Finishes

- Painted Finish Process

Painted finishes feature rich, beautiful color coating the wood, adding rich depth to your selected profile.

Paint is applied utilizing a spray application process to, EverCore®, Maple or Oak.

EverCore® is a mechanically compressed wood fiber material that reacts less to environmental conditions than other hardwood materials. It is less susceptible to expansion and contractions that can cause joints to separate showing hairline cracks in painted products. It also provides a more consistent and smooth surface, eliminating the appearance of naturally occurring wood characteristics such as grain patterns, knots or mineral streaks.

For a hardwood option, most painted surfaces are available in Maple due to the more uniform appearance and smooth, clean characteristics of this wood. Since wood naturally expands and contracts, you may see hairline separation in the finish surface at the joints. Joint lines are normal and do **not** affect the strength of the door's construction. Alternative materials may be used in the construction of the door and drawer fronts to minimize the environmental effects of joints and panels.

Natural wood characteristics such as gum pockets, streaks and pin knots may be visible, particularly with some of our lighter paints. These characteristics tend to be more pronounced on the backs of our doors and drawers

As a final step, our oven-cured MasterCoat™ topcoat is applied to provide a beautiful and durable furniture finish.

Finish availability may vary by door style. See Finish Availability Chart

- Bonsai

A medium green paint with a hint of grey

- **E69D** EverCore®
- **E69M** Maple

- Burmese

A midtone warm neutral paint

- **E67D** EverCore®
- **E67M** Maple

- Canvas

Creamy white painted finish

Available on select EverCore® and Maple door styles

- **CVD** EverCore®
- **CVM** Maple

- Dove White

White painted finish

- **DWD** EverCore®
- **DWM** Maple

- Greyloft

Warm, earthy, midtone grey painted finish

- **B65D** EverCore®
- **B65M** Maple

- Lagoon

A medium blue paint with grey undertones

- **E63D** EverCore®
- **E63M** Maple

- Linen

Khaki colored, light neutral painted finish

- **D90D** EverCore®
- **D90M** Maple

- Midnight

Rich, dark blue painted finish reminiscent of the night sky

- **B69D** EverCore®
- **B69M** Maple

- Moonshine

Very light and soft, grey neutral painted finish

- **D98D** EverCore®
- **D98M** Maple

- Onyx

Black painted finish

- **A21D** EverCore®
- **A21M** Maple
- **A21O** Oak

- Pebble Grey

A cool, light grey painted finish

- **B83D** EverCore®
- **B83M** Maple

- Surfside

A very light blue paint with a hint of grey

- **E65D** EverCore®
- **E65M** Maple

Premium Paint w/Suede Topcoat Finishes

Paint w/Suede Topcoat Finish Process

Painted finishes feature rich, beautiful color coating the wood, adding rich depth to your selected profile.

Paint is applied utilizing a spray application process.

Since wood naturally expands and contracts, you may see hairline separation in the finish surface at the joints. Joint lines are normal and do **not** affect the strength of the door's construction

Most painted finishes are available only on maple due to the more uniform appearance and smooth, clean characteristics of this wood.

Natural wood characteristics such as gum pockets, streaks and pin knots may be visible, particularly with some of our lighter paints. These characteristics tend to be more pronounced on the backs of our doors and drawers

As a final step, our oven-cured, matte sheen Suede MasterCoat™ topcoat is applied to provide a beautiful and durable furniture finish.

Finish availability may vary by door style. See Finish Availability Chart

- **Bonsai Suede**

A medium green paint with a hint of grey with a matte topcoat that softens the color tone and wood characteristics

- **E70D** EverCore®
- **E70M** Maple

- **Burmese Suede**

A midtone warm neutral paint with a matte topcoat that softens the color tone and wood characteristics

- **E68D** EverCore®
- **E68M** Maple

- **Canvas Suede**

Creamy white painted finish with a matte topcoat that softens the color tone and wood characteristics

- **D37D** EverCore®
- **D37M** Maple

- **Dove White Suede**

White painted finish with a matte topcoat that softens the color tone and wood characteristics

- **D40D** EverCore®
- **D40M** Maple

- **Greyloft Suede**

Warm, midtone grey painted finish with a matte topcoat that softens the color tone and wood characteristics

- **D41D** EverCore®
- **D41M** Maple

- **Lagoon Suede**

A medium blue paint with grey undertones and a matte topcoat that softens the color tone and wood characteristics

- **E64D** EverCore®
- **E64M** Maple

- **Linen Suede**

Khaki colored, light neutral painted finish with a matte topcoat that softens the color tone

- **D93D** EverCore®
- **D93M** Maple

- **Midnight Suede**

Rich, dark blue painted finish with a matte topcoat that softens the color tone and wood characteristics

- **D42D** EverCore®
- **D42M** Maple

- **Moonshine Suede**

Very light and soft, grey neutral painted finish with a matte topcoat that softens the color tone

- **E02D** EverCore
- **E02M** Maple

- **Onyx Suede**

Black painted finish with a matte topcoat that softens the color tone and wood characteristics

- **D44D** EverCore®
- **D44M** Maple
- **D44O** Oak

- **Pebble Grey Suede**

Cool, light grey painted finish with a matte topcoat that softens the color tone and wood characteristics

- **D45D** EverCore
- **D45M** Maple

- **Surfside Suede**

A very light blue paint with a hint of grey and a matte topcoat that softens the color tone and wood characteristics

- **E66D** EverCore®
- **E66M** Maple

New

ColorMatch™ Painted Finishes

A bright, sunny island. An unexpected bold choice up top, with a neutral below. With ColorMatch™ no matter whose paint your customers want, we'll match it. Pick from Behr®, Benjamin Moore®, Sherwin-Williams® and Valspar® paints.

ColorMatch painted finishes feature rich, beautiful color coating the wood, adding rich depth to your selected profile. ColorMatch paint is applied utilizing a spray application process to Maple.

Since wood naturally expands and contracts, you may see hairline separation in the finish surface at the joints. Joint lines are normal and do **not** affect the strength of the door's construction. Alternative materials may be used in the construction of the door and drawer fronts to minimize the environmental effects of joints and panels.

As a final step, our oven cured premium topcoat is applied to provide a beautiful and durable furniture finish.

Finish availability may vary by door style. See door style Finish Availability Chart.

Natural wood characteristics such as gum pockets, streaks and pin knots may be visible, particularly with lighter paints. These characteristics tend to be more pronounced on the backs of our doors and drawers.

Please **Note**: Select cabinets that have matching interior as a standard feature will contain the code "-A.APFC" on order acknowledgments. The code is used as an internal safeguard to ensure proper parts are used in the cabinet construction and does **not** assign additional charges to the cabinet price. Options that are **NOT** available for this finish:

Contrasting ColorMatch interior **not** available. If the interior, **must** match the exterior finish color, choose Matching Interior with 1/2" Plywood End Panels (MIP)



Product Attributes:

Ends will **not** have a matching finish unless specified
Standard construction will have natural birch laminate ends
Plywood Ends Both (PEB) and All Plywood Construction (AP/APC) will have wood veneer ends with natural clear coat
Cabinets that have standard All Plywood Furniture End Panels (APFC) will be supplied with matching exterior automatically

To get finished ends without matching interior, use:

Furniture Plywood Ends (FPEB)
All Plywood Furniture End Panels (APFC)
Integrated Decorative Ends (DE)
Operational Ends (OE)
Attached Decorative Ends (AD_E)
Wood Skins (WSK), Wood Skins are field-applied

To get finished ends with matching interior:

Use Matching Interior with 3/4" Furniture End Panels on All Plywood (MIAPFC)
MIAPFC will finish the interior and exterior of the cabinet. Cabinets **cannot** be ordered with matching interior and unfinished exterior ends

Note: If you happen to forget to finish the end, a matching end panel can be ordered after the cabinets are installed. Of all the after-the-fact options, that's the one that we recommend, although you can also consider a skin, or skin with decorative door. Color sample will be maintained for 180 days after the kitchen is delivered

Designing with ColorMatch™ Painted Finishes



A sample door approval is required for a ColorMatch painted finish order. To submit a ColorMatch finish sample order, use the following steps:

Ordering a ColorMatch Paint Finish Sample

1. Log into Merillat Cabinetry Info portal
2. Select Customer Care
3. Select Order ColorMatch Paint Finish Sample

Sample door delivery is approximately 3-4 weeks after order date.



The sample door invoice number will be required at time of order. Placement of your order with the sample door invoice number indicates approval of the ColorMatch painted finish.

Accessing in 2020:

1. Place a cabinet on the floor plan and open Styles & Pricing.
2. Make your selections in the Global Style Validation window:
 - a. Under Wood Species Selection click either Maple or EverCore
 - b. Under Finish Selection click either ColorMatch with Standard Topcoat or ColorMatch with Suede Topcoat

Note: A pop-up with prompt you to enter the sample door invoice number.



Limit to one ColorMatch painted finish per invoice. Multiple door styles will be allowed on full kitchen orders. ColorMatch phone orders will **not** be accepted.



Please **Note**: Select cabinets that have matching interior standard and End Panels with a front filler attached will contain the code "-A.APFC" or "A.MIAPFC" on order acknowledgments. The codes are used as an internal safeguard to ensure proper finished parts are used in the cabinet construction and does **not** assign additional charges to the cabinet price.

Premium ColorMatch™ Paint Finishes

- **ColorMatch™ Maple**

- **CC1D** EverCore®
- **CC1M** Maple

- **ColorMatch™ Maple w/Suede**

- **CC2D** EverCore®
- **CC2M** Maple

Grey color coding indicates new product, size or code.

Premium Paint w/Highlight Finishes

- Paint w/Highlight Finish Process

Highlight finishes add richness and warmth to wood surfaces.

The base stain or paint finish is applied, followed by the application of a highlight finish to the entire door or drawer front to add richness and warmth to wood surfaces.

The highlight is then hand-wiped to create soft, light “hang-up” in profiles and recesses of the wood.

A highlight is hand-applied to detail the recesses of applicable door and drawer designs.

Each door design, wood species and highlight finish has its own charming character and will create a unique, one-of-a-kind look.

Natural wood characteristics such as gum pockets, streaks and pin knots may be visible, particularly with some of our lighter paints. These characteristics tend to be more pronounced on the backs of our doors and drawers

As a final step, our oven-cured MasterCoat topcoat is applied to provide a beautiful and durable furniture finish.

Finish availability may vary by door style. See Finish Availability Chart

- Canvas w/Cinder Highlight

Creamy white painted finish background with warm midtone grey highlight hang-up in corners and profile recesses

- **E87M** Maple

- Canvas w/Cocoa Highlight

Creamy white painted finish background with soft brown highlight hang-up in corners and profile recesses

- **E89M** Maple

- Dove White w/Cinder Highlight

Dove White painted background with warm midtone grey highlight hang-up in corners and profile recesses

- **E93M** Maple

- Dove White w/Cocoa Highlight

Dove White painted background with soft brown highlight hang-up in corners and profile recesses

- **E95M** Maple

- Greyloft w/Sable Highlight

Warm, midtone, grey painted background with rich brown highlight hang-up in corners and profiles

- **E97M** Maple

- Linen w/Cinder Highlight

Khaki colored, light neutral painted finish background with a warm midtone grey highlight hang-up in corners and profile recesses

- **E99M** Maple

- Linen w/Cocoa Highlight

Khaki colored, light neutral painted finish background with soft brown highlight hang-up in corners and profile

- **F01M** Maple

- Midnight w/Onyx Highlight

Rich, dark blue painted background with shadowy black highlight hang-up in corners and profiles

- **F03M** Maple

- Moonshine w/Cinder Highlight

Very light and soft, grey neutral painted finish background with warm midtone grey highlight hang-up in corners and profile recesses

- **F05M** Maple

- Moonshine w/Cocoa Highlight

Very light and soft, grey neutral painted finish background with soft brown highlight hang-up in corners and profile

- **F07M** Maple

- Pebble Grey w/Cocoa Highlight

Cool, light grey painted background with soft brown highlight hang-up in corners and profile recesses

- **F09M** Maple

Premium Paint w/Highlight Suede Topcoat Finishes

- Paint w/Highlight Suede Finish Process

Highlight finishes add richness and warmth to wood surfaces.

The base stain or paint finish is applied, followed by the application of a highlight finish to the entire door or drawer front to add richness and warmth to wood surfaces.

The highlight is then hand-wiped to create soft, light "hang-up" in profiles and recesses of the wood.

A highlight is hand-applied to detail the recesses of applicable door and drawer designs.

Each door design, wood species and highlight finish has its own charming character and will create a unique, one-of-a-kind look.

Natural wood characteristics such as gum pockets, streaks and pin knots may be visible, particularly with some of our lighter paints. These characteristics tend to be more pronounced on the backs of our doors and drawers

As a final step, a matte sheen, Suede MasterCoat™ topcoat is applied that softens the overall color tone, giving a more subtle and sophisticated appearance to cabinetry.

Finish availability may vary by door style. See Finish Availability Chart

- Canvas w/Cinder Highlight Suede

Creamy white painted finish background with warm midtone grey highlight hang-up in corners and profile recesses and a matte topcoat that softens the color tone

- **E88M** Maple

- Canvas w/Cocoa Highlight Suede

Creamy white painted finish background with soft brown highlight hang-up in corners and profile recesses and a matte topcoat that softens the color tone

- **E90M** Maple

- Dove White w/Cinder Highlight Suede

Dove White painted background with warm midtone grey highlight hang-up in corners and profile recesses and a matte topcoat that softens the color tone

- **E94M** Maple

- Dove White w/Cocoa Highlight Suede

Dove White painted background with soft brown highlight hang-up in corners and profile recesses and a matte topcoat that softens the color tone

- **E96M** Maple

- Greyloft w/Sable Highlight Suede

Warm, midtone, grey painted background with rich brown highlight hang-up in corners and profiles and a matte topcoat that softens the color tone

- **E98M** Maple

- Linen w/Cinder Highlight Suede

Khaki colored, light neutral painted finish background with a warm midtone grey highlight hang-up in corners and profile recesses and a matte topcoat that softens the color tone

- **F00M** Maple

- Linen w/Cocoa Highlight Suede

Khaki colored, light neutral painted finish background with soft brown highlight hang-up in corners and profile and a matte topcoat that softens the color tone

- **F02M** Maple

- Midnight w/Onyx Highlight Suede

Rich, dark blue painted background with shadowy black highlight hang-up in corners and profiles and a matte topcoat that softens the color tone

- **F04M** Maple

- Moonshine w/Cinder Highlight Suede

Very light and soft, grey neutral painted finish background with warm midtone grey highlight hang-up in corners and profile recesses and a matte topcoat that softens the color tone

- **F06M** Maple

- Moonshine w/Cocoa Highlight Suede

Very light and soft, grey neutral painted finish background with soft brown highlight hang-up in corners and profile and a matte topcoat that softens the color tone

- **F08M** Maple

- Pebble Grey w/Cocoa Highlight Suede

Cool, light grey painted background with soft brown highlight hang-up in corners and profile recesses and a matte topcoat that softens the color tone

- **F10M** Maple

Premium Vintage Paint Finishes

- Vintage Finish Process

Vintage finishes give the appearance of heirloom cabinetry that has been well loved and used.

This multi-step process begins with an artistic over-sanding technique applied to corners and relief areas, creating the aged look of fine furniture.

Unfinished doors and drawer heads receive randomly applied wormholes and compression marks to add additional distressing.

Next, several coats of paint finish are applied.

The corners and edges of doors and drawers are over-sanded for a second time, revealing the beauty of natural Cherry wood.

Because this process features distressing, the detail and look will vary from piece to piece

As a final step, our oven-cured MasterCoat™ topcoat is applied to provide a beautiful and durable furniture finish.

Finish availability may vary by door style. See Finish Availability Chart

Available on select Cherry door styles. Visible knots and pinholes are natural characteristics found in Cherry wood, which accentuate the Vintage finish process. These characteristics are **not** considered to be product defects.

Maple or other materials may be used in other cabinet components and accessories to help eliminate the appearance of knots and pinholes in pieces where the Vintage process is **not** applied

- Vintage Canvas

Creamy white painted finish with the Vintage technique applied

- VCC Cherry

- Vintage Dove White

White painted finish with the Vintage technique applied

- VDC Cherry

- Vintage Greyloft

Warm, midtone grey painted finish with the Vintage technique applied

- B67C Cherry

- Vintage Linen

Khaki colored, light neutral painted finish with the Vintage technique applied

- D91C Cherry

- Vintage Midnight

Rich, dark blue painted finish with the Vintage technique applied

- B71C Cherry

- Vintage Moonshine

Very light and soft, grey neutral painted finish with the vintage technique applied

- D99C Cherry

- Vintage Onyx

Black painted finish with the Vintage technique applied

- VOC Cherry

- Vintage Pebble Grey

Cool, light grey painted finish with the Vintage technique applied

- B86C Cherry

Premium Vintage Paint w/Suede Topcoat Finishes

- Vintage Finish with Suede Process

Vintage finishes give the appearance of heirloom cabinetry that has been well loved and used.

This multi-step process begins with an artistic over-sanding technique applied to corners and relief areas, creating the aged look of fine furniture.

Unfinished doors and drawer heads receive randomly applied wormholes and compression marks to add additional distressing.

Next, several coats of paint finish are applied.

The corners and edges of doors and drawers are over-sanded for a second time, revealing the beauty of natural Cherry wood.

Because this process features distressing, the detail and look will vary from piece to piece

As a final step, a matte sheen, Suede MasterCoat™ topcoat is applied that softens the overall color tone, giving a more subtle and sophisticated appearance to cabinetry.

Finish availability may vary by door style. See Finish Availability Chart

Available on select Cherry door styles. Visible knots and pinholes are natural characteristics found in Cherry wood, which accentuate the Vintage finish process. These characteristics are **not** considered to be product defects.

Maple or other materials may be used in other cabinet components and accessories to help eliminate the appearance of knots and pinholes in pieces where the Vintage process is **not** applied

- Vintage Canvas Suede

Creamy white painted finish with the Vintage technique applied and a matte topcoat that softens the color tone

- E42C Cherry

- Vintage Dove White Suede

White painted finish with the Vintage technique applied and a matte topcoat that softens the color tone

- E44C Cherry

- Vintage Greyloft Suede

Warm, midtone grey painted finish with the Vintage technique applied and a matte topcoat that softens the color tone

- E45C Cherry

- Vintage Linen Suede

Khaki colored, light neutral painted finish with the Vintage technique and a matte topcoat that softens the color tone

- E46C Cherry

- Vintage Midnight Suede

Rich, dark blue painted finish with the Vintage technique applied and a matte topcoat that softens the color tone

- E47C Cherry

- Vintage Moonshine Suede

Very light and soft, grey neutral painted finish with the vintage technique and a matte topcoat that softens the color tone

- E48C Cherry

- Vintage Onyx Suede

Black painted finish with the Vintage technique applied and a matte topcoat that softens the color tone

- E50C Cherry

- Vintage Pebble Grey Suede

Cool, light grey painted finish with the Vintage technique applied and a matte topcoat that softens the color tone

- E51C Cherry

Premium Aged Paint Finishes

Aged Paint Finish Process

Our Aged technique evokes the look of artisan-finished cabinetry that has been well loved over time.

Distressing effects are hand applied artisan methods that are random and inconsistent in appearance. Because every detail is hand applied, each finished component will have a unique appearance. The effects include edge rasping, worm holes, edge burnishing, softened corners and edges, random dent patterns and a suede topcoat.

The multi-step process begins with a light, artistic, over sanding technique applied to corners, edges and relief areas of doors and drawers. Panels and profiles of unfinished doors and drawer fronts receive randomly applied worm holing, edge rasping and distressing techniques.

Following the distressing techniques, paint is applied followed by application of a glaze finish to the entire door or drawer front to add richness to the paint color. The glaze is then hand wiped to create soft, light "hang up" in profiles and recesses of the wood including the distressing effects. Additional glaze is applied through a dry-brushing process to give each door or drawer component a subtle linear accent. A dark burnishing material is then used to accent the softened corners and edges.

As a final step a matte sheen, Suede MasterCoat™ topcoat, is applied to complete the Aged finish.

Note: The back side of doors receive paint and flood glaze. The remaining treatments, including additional glazing and dry brushing, will not be applied to the back side resulting in a lighter color than the front side of the door and frame.

Note: Laminate components such as VSK, VPL, MTK8, etc. are not available with Aged Finishes. Corresponding wood veneer components such as WSK, WPL, WMTK8, etc. must be ordered to receive the matching aged finish.



Please **Note:** Select cabinets that have matching interior standard and End Panels with a front filler attached will contain the code "-A-APFC" on order acknowledgments. The code is used as an internal safeguard to ensure proper finished parts are used in the cabinet construction and does not assign additional charges to the cabinet price.



Product Attributes:

Ends will **not** have a matching finish unless specified
Standard construction will have natural birch laminate ends
Plywood Ends Both (PEB) and All Plywood Construction (AP/APC) will have wood veneer ends with natural clear coat
Cabinets that have standard All Plywood Furniture End Panels (APFC) will be supplied with matching exterior automatically

To get finished ends without matching interior, use:

Furniture Plywood Ends (FPEB)
All Plywood Furniture End Panels (APFC)
Integrated Decorative Ends (DE)
Operational Ends (OE)
Attached Decorative Ends (AD_E)
Wood Skins (WSK), Wood Skins are field-applied

To get finished ends with matching interior:

Use Matching Interior with 3/4" Furniture End Panels on All Plywood (MIAPFC)

MIAPFC will finish the interior and exterior of the cabinet. Cabinets **cannot** be ordered with matching interior and unfinished exterior ends

Options that are **NOT** available for this finish:

Matching Interior Standard Construction- (MIV)
Matching Interior with 1/2" Plywood End Panels (MIP)
Matching Interior with 3/4" Furniture Plywood End Panels (MIFP)

- Aged Concrete

Soft grey neutral painted finish with grey glaze and the Aged technique applied

- **E06M** Maple

- Aged Papyrus

Off-white painted finish with grey-brown glaze and the Aged technique applied

- **E05M** Maple

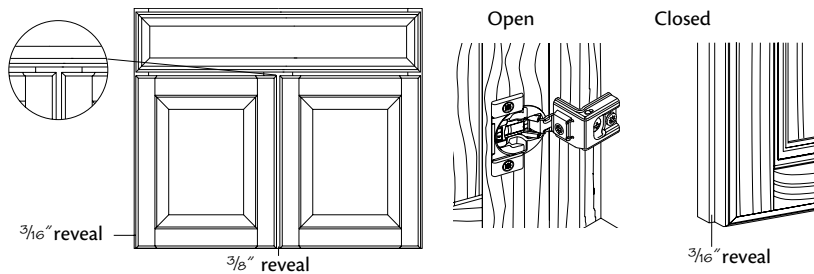
- Aged River Rock

Cool grey painted finish with grey glaze and the Aged technique applied

- **E07M** Maple

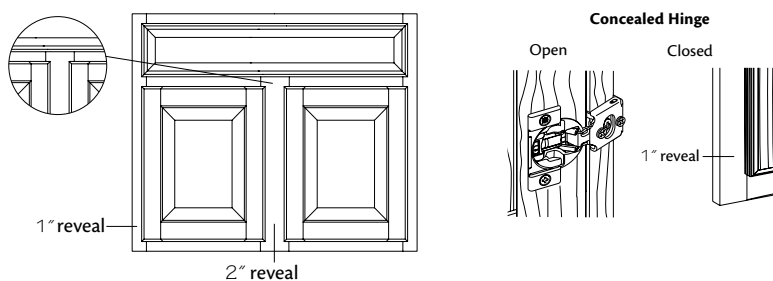
Material dimensions listed may vary slightly from actual dimensions of the product

Full Overlay–Concealed Hinges



- Full overlay doors leave $\frac{3}{8}$ " of the cabinet's face frame exposed between doors
- Whisper Touch™ hinge features an integrated mechanism that closes doors softly and quietly and is adjustable six ways for perfect alignment
- Soft-close hinge features an integrated mechanism that closes doors softly and quietly and is adjustable six ways for perfect alignment
- The reveals shown here may vary slightly on some cabinets due to actual door/drawer front sizes used. Refer to the replacement door and drawer section for actual door/drawer sizes for specific cabinets
- **Note:** Door styles with square outside edges (including aluminum frame decorative doors) **cannot** be opened simultaneously on adjacent cabinets because the doors will rub together. This is a common occurrence due to the sizing of full overlay doors

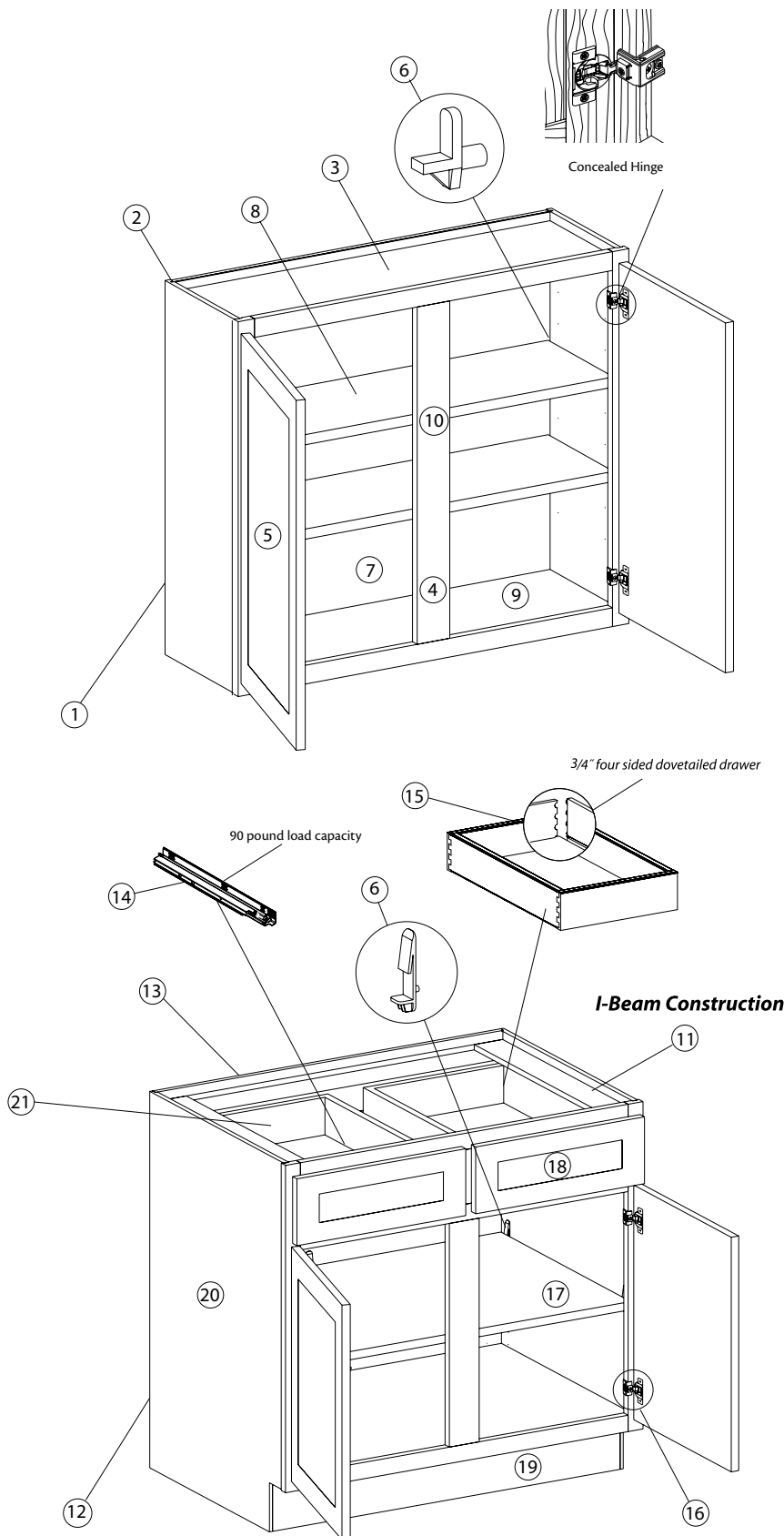
1/2" Overlay–Concealed Hinge



- 1/2" overlay doors leave 2" of the cabinet's face frame exposed between doors
- Soft-close hinge features an integrated mechanism that closes doors softly and quietly and is adjustable six ways for perfect alignment
- The reveals shown here may vary slightly on some cabinets due to actual door/drawer front sizes used. Refer to the replacement door and drawer section for actual door/drawer sizes for specific cabinets

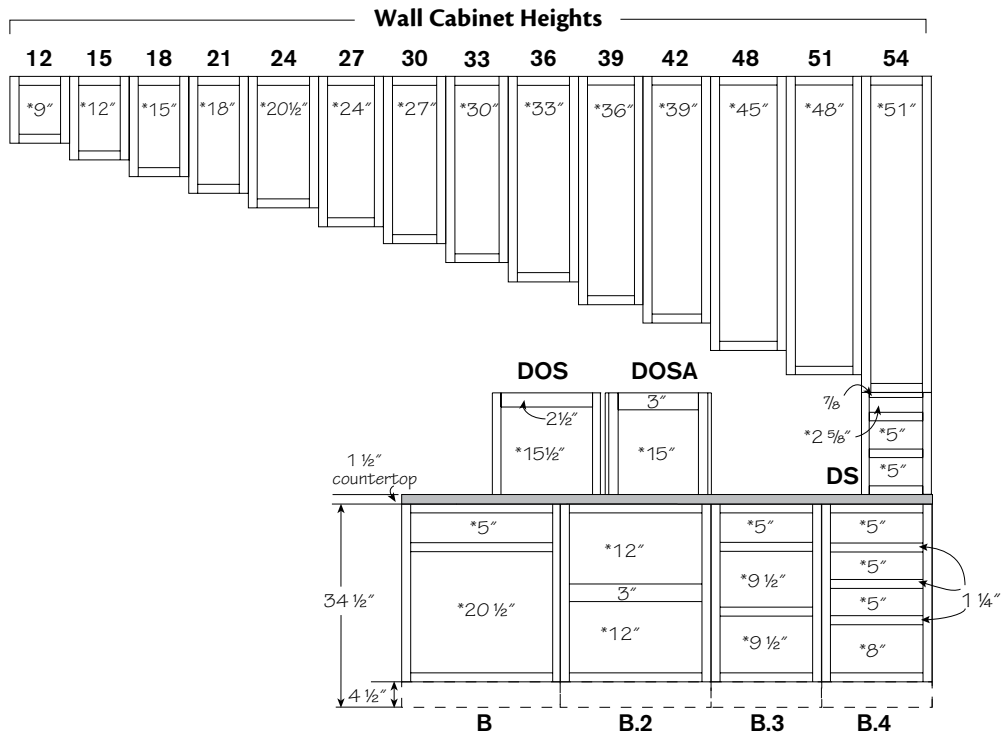
Cabinet Specifications

The **Masterpiece® Collection** is also available in an All Plywood (APC) Option. See *Construction Options* section for a complete description.



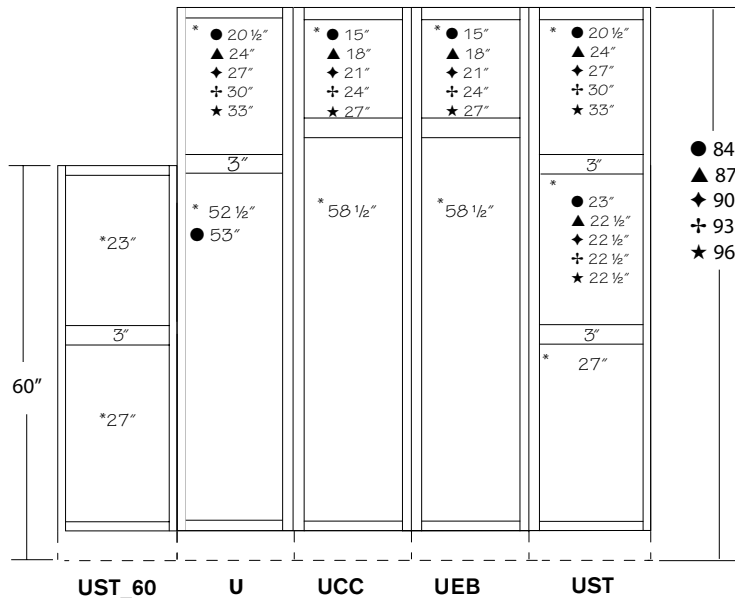
- (1) Laminate back panel
- (2) 1/2" wood concealed hanging rail
- (3) 1/2" Natural Birch laminate ceiling panel
- (4) 3/4" solid hardwood, including but not limited to, Alder, Cherry, Hickory, Maple and Oak front frame constructed using industrial grade glue and hardened steel fasteners. Front frame species complements selected door style
- (5) Extensive and unique door style and wood species selection in Alder, Cherry, EverCore®, Hickory, Maple and Oak. Solid and wood veneer construction available. Also available in Thermofoil, High-Gloss Foil and Wood-Grain Foil
- (6) Satin chrome shelf rests for all kitchen wall and furniture cabinets. Easily adjustable positive locking shelf clips for all base, tall and vanity cabinets
- (7) Natural Birch laminate interior
- (8) 3/4" fully adjustable Natural Birch laminate clad shelving standard feature in wall, base and tall cabinets
- (9) 1/2" Natural Birch laminate cabinet bottom
- (10) 14-step MasterCoat™ furniture process featuring hand-wiped stain with one of the finest wood finishes available in the cabinet industry
- (11) Full-depth I-beam braces provide stability and convenient anchor points for countertop
- (12) 3/8" Natural Birch laminate base back panel
- (13) 3/4" solid wood base installation rail
- (14) Standard drawer runner suspension system features smooth, ball bearing operation with a 90 lb. load capacity. Whisper Touch™ runner has an integrated drawer buffer that engages two inches from closing and applies resistance, giving a soft, controlled closing
- (15) 3/4" full-depth solid wood dovetailed drawer featuring four sided construction and 3/16" plywood bottom
- (16) Self-closing, concealed, wrap-around adjustable hinges
- (17) Full-depth, fully adjustable 3/4" Natural Birch laminate shelving
- (18) Drawer heads are solid hardwood or laminate to complement each door style
- (19) Fully closed toe space area
- (20) 1/2" end panels with wood grain laminate interior and matching exterior. Also available with optional 1/2" or 3/4" plywood end panels. Wood grain laminate interior or wood veneer interior available. Unless noted, plain sawn end panels will be supplied for quartersawn door styles
- (21) Standard drawer boxes are 4" high
- **Note:** Unless noted, cabinet depth does **not** include doors or drawer fronts
- **Note:** Please contact Customer Care if your design requires verification of product specifications

Wall and Base Frame Dimensions



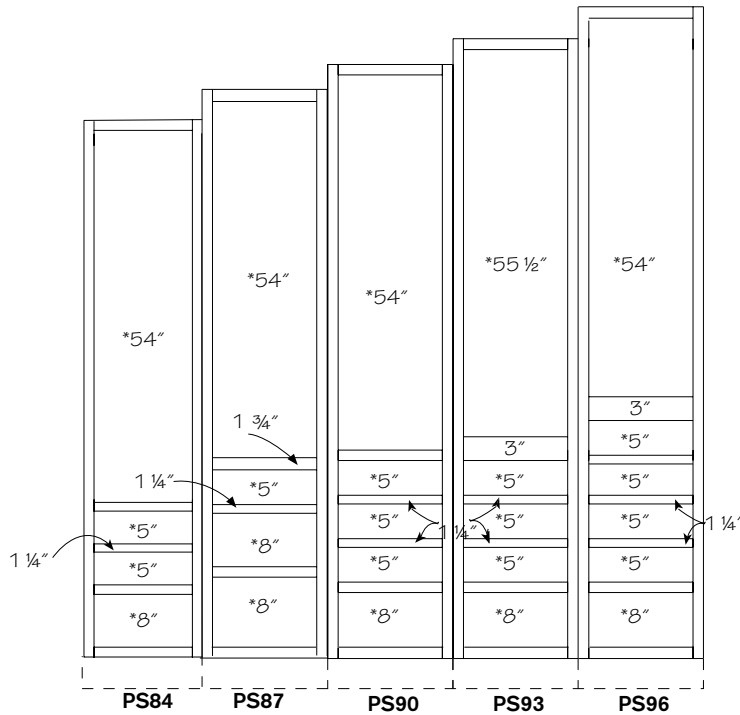
- Unless otherwise noted, all stiles and rails are 1 1/2"
- 3" vertical stiles divide double door cabinets over 36" wide
- Unless noted, oven cabinets have 3" vertical stiles
- Opening sizes are preceded by an asterisk (*)
- Toe kick depth is 3 1/8"
- Drawer fronts will not align with one another when using 3 drawer and 4 drawer stack cabinets side-by-side
- **Note:** Unless noted, cabinet depth does **not** include doors or drawer fronts

Utility Cabinet Frame Dimensions



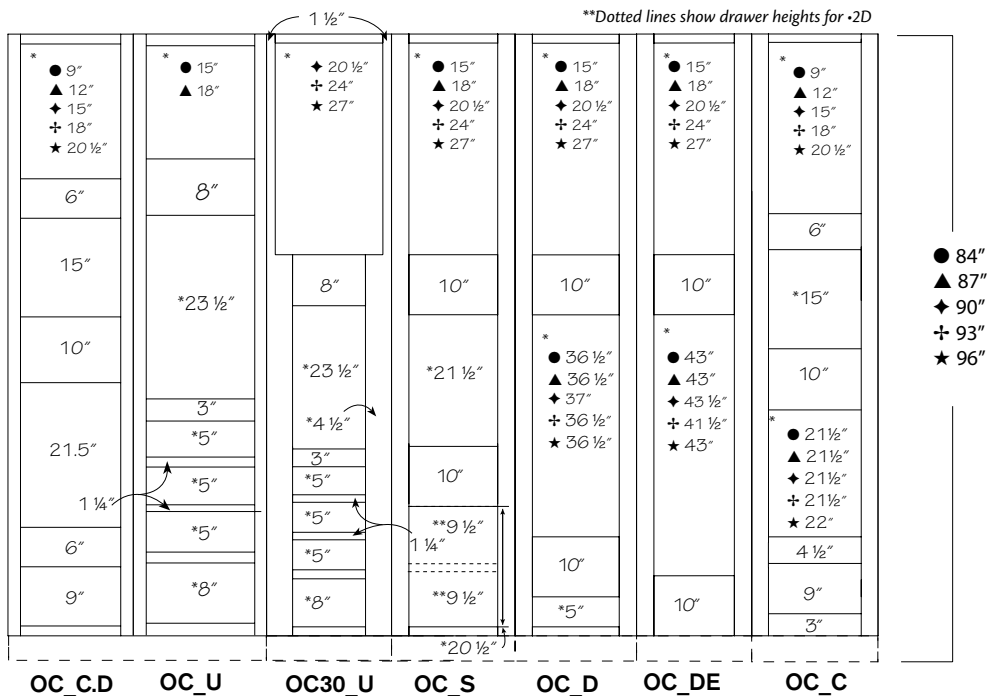
- Unless otherwise noted, all stiles and rails are 1 1/2"
- 3" vertical stiles divide double door cabinets over 36" wide
- Unless noted, oven cabinets have 3" vertical stiles
- Opening sizes are preceded by an asterisk (*)
- Toe kick depth is 3 1/8"
- Drawer fronts will not align with one another when using 3 drawer and 4 drawer stack cabinets side-by-side
- **Note:** Unless noted, cabinet depth does **not** include doors or drawer fronts

Pantry Storage Cabinet Frame Dimensions



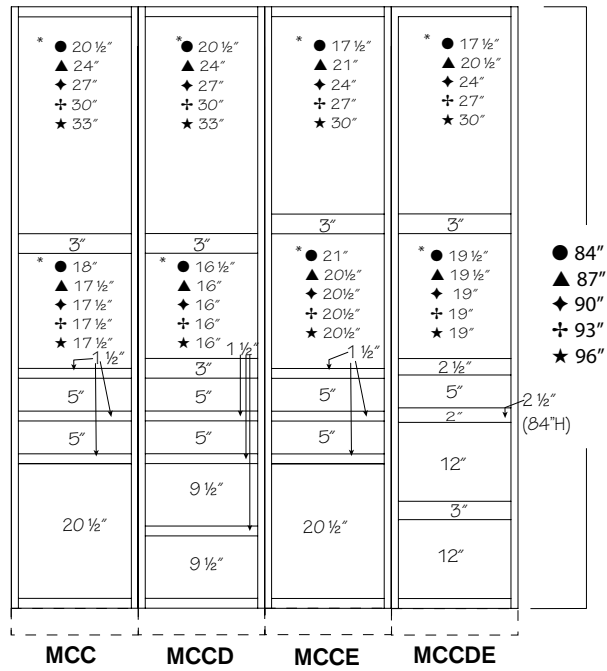
- Unless otherwise noted, all stiles and rails are 1 1/2"
- 3" vertical stiles divide double door cabinets over 36" wide
- Unless noted, oven cabinets have 3" vertical stiles
- Opening sizes are preceded by an asterisk (*)
- Toe kick depth is 3 1/8"
- Drawer fronts will not align with one another when using 3 drawer and 4 drawer stack cabinets side-by-side
- **Note:** Unless noted, cabinet depth does **not** include doors or drawer fronts

Oven Cabinet Frame Dimensions



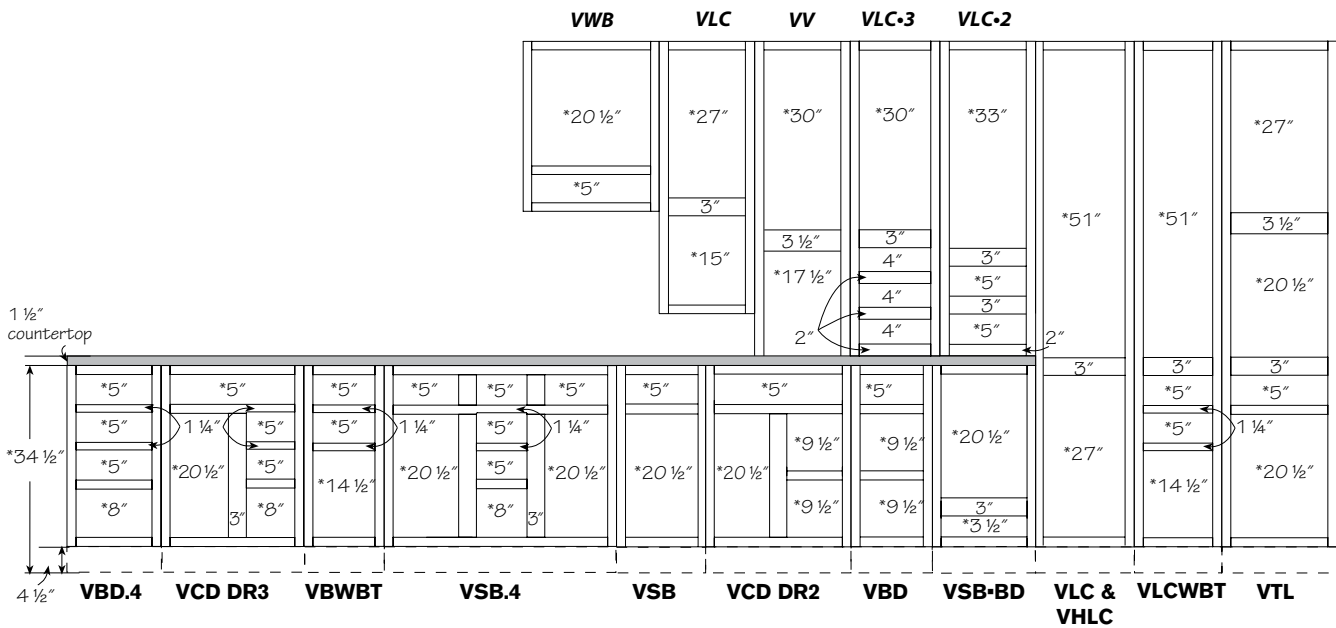
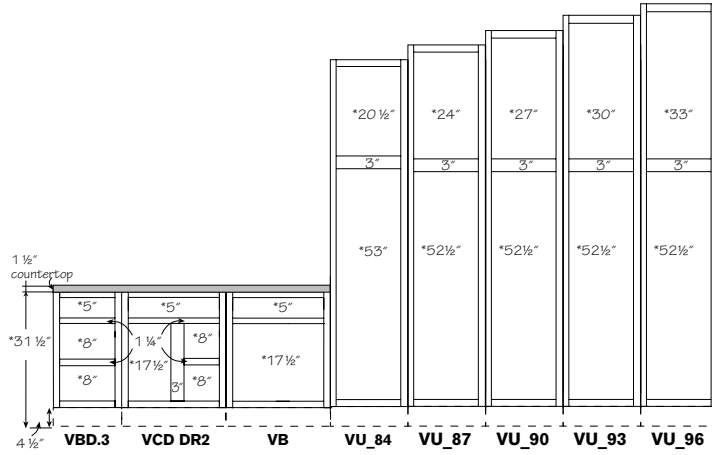
- Unless otherwise noted, all stiles and rails are 1 1/2"
- 3" vertical stiles divide double door cabinets over 36" wide
- Unless noted, oven cabinets have 3" vertical stiles
- Opening sizes are preceded by an asterisk (*)
- Toe kick depth is 3 1/8"
- Drawer fronts will not align with one another when using 3 drawer and 4 drawer stack cabinets side-by-side
- **Note:** Unless noted, cabinet depth does **not** include doors or drawer fronts

Microwave Cabinet Frame Dimensions



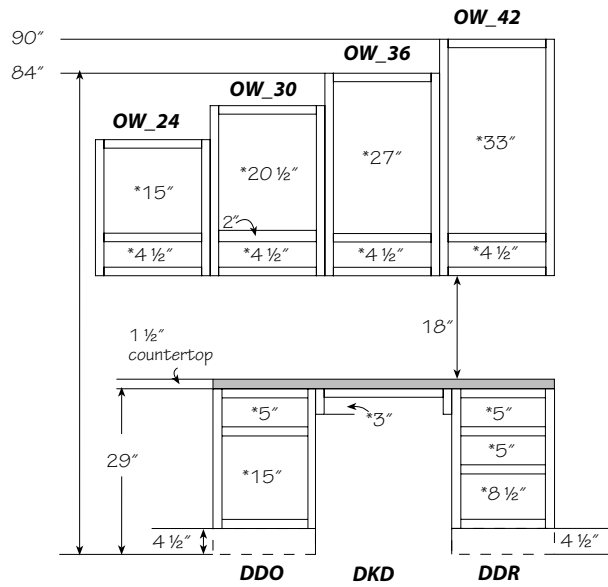
- Unless otherwise noted, all stiles and rails are 1 1/2"
- 3" vertical stiles divide double door cabinets over 36" wide
- Unless noted, oven cabinets have 3" vertical stiles
- Opening sizes are preceded by an asterisk (*)
- Toe kick depth is 3 1/8"
- Drawer fronts will not align with one another when using 3 drawer and 4 drawer stack cabinets side-by-side
- **Note:** Unless noted, cabinet depth does **not** include doors or drawer fronts

Vanity Frame Dimensions



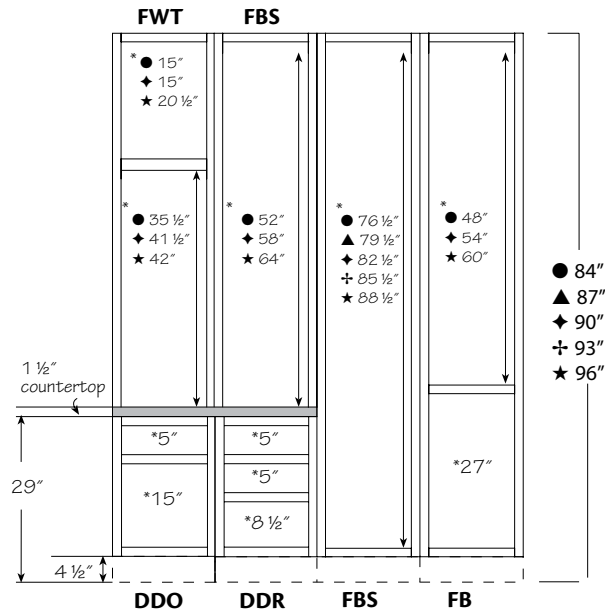
- Unless otherwise noted, all stiles and rails are 1 1/2"
- 3" vertical stiles divide double door cabinets over 36" wide
- Opening sizes are preceded by an asterisk (*)
- Toe kick depth is 3 1/8"
- Drawer fronts will not align with one another when using 3 drawer and 4 drawer stack cabinets side-by-side
- **Note:** Unless noted, cabinet depth does **not** include doors or drawer fronts

Office Frame Dimensions



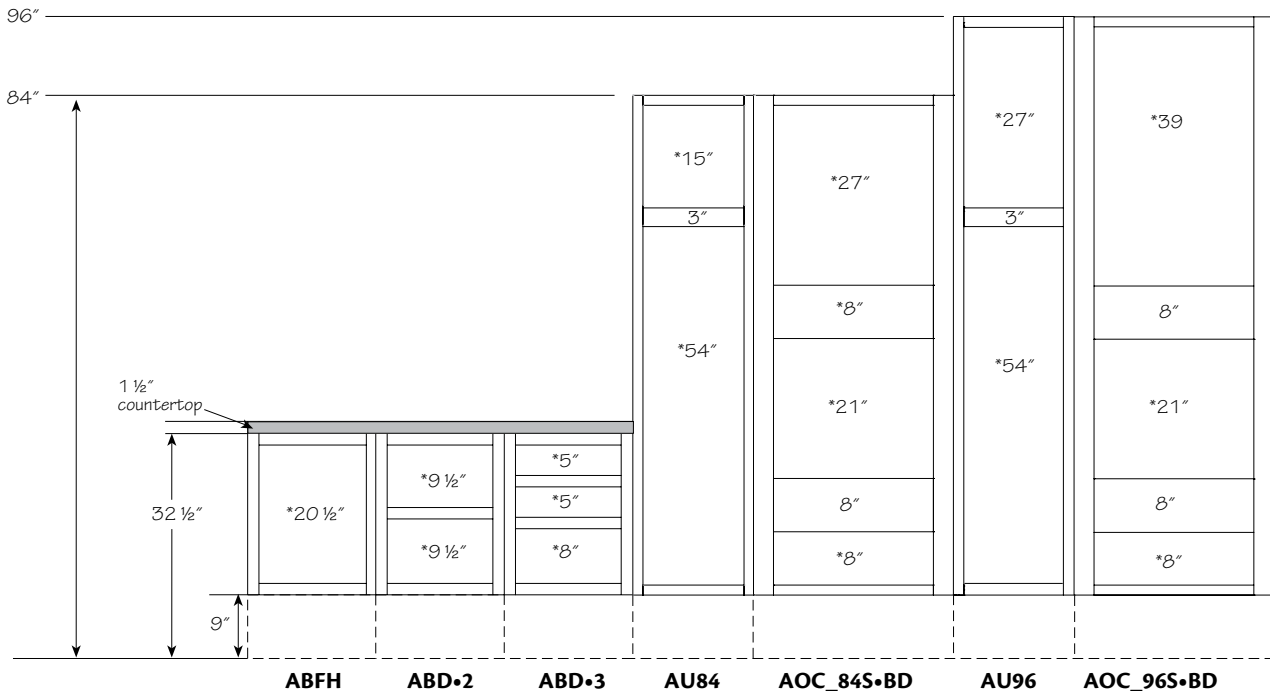
- Unless otherwise noted, all stiles and rails are 1 1/2"
- 3" vertical stiles divide double door cabinets over 36" wide
- Opening sizes are preceded by an asterisk (*)
- Toe kick depth is 3 1/8"
- **Note:** Unless noted, cabinet depth does **not** include doors or drawer fronts

Furniture Desk Frame Dimensions



- Unless otherwise noted, all stiles and rails are 1 1/2"
- 3" vertical stiles divide double door cabinets over 36" wide
- Unless noted, oven cabinets have 3" vertical stiles
- Opening sizes are preceded by an asterisk (*)
- Toe kick depth is 3 1/8"
- Drawer fronts will not align with one another when using 3 drawer and 4 drawer stack cabinets side-by-side
- **Note:** Unless noted, cabinet depth does **not** include doors or drawer fronts

Universal Access Frame Dimensions



- Unless otherwise noted, all stiles and rails are 1 1/2"
- 3" vertical stiles divide double door cabinets over 36" wide
- Opening sizes are preceded by an asterisk (*)
- Unless noted, oven cabinets have 3" vertical stiles
- Toe kick depth is 6"
- **Note:** Unless noted, cabinet depth does *not* include doors or drawer fronts

Construction Options

Construction Options and Modifications

- ❖ Included as standard
- Available with an upcharge
- ☆ Available with exceptions
- (Blank) **Not** available

Use the option availability chart at the right of each item to determine which construction options are available for your desired cabinet.

Material dimensions listed may vary slightly from actual dimensions of the product. Specification subject to change without notice.

Some of the best materials available are utilized to build the highest quality cabinets. In order to fulfill our commitment to quality, you may see some material changes in some of the plywood components that we use. The material changes will help reduce warping, expansion and contraction within the parts.

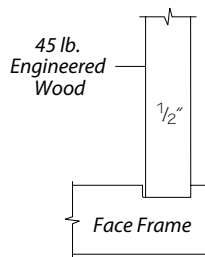
Plywood is created with multiple layers of wood materials, including wood veneers and Medium Density Fiberboard (MDF), to create a hybrid product containing the following benefits:

- Improved strength and finish quality; reduces expansion or contraction, which is better for a smooth, quality finish. This process also produces a more rigid product.
- Environmentally friendly; supports CARB II standards. (CARB, or California Air Resource Board, is a control measure for reduced formaldehyde emissions from composite wood products).

Regardless of the wood material used in the various applications of our All Plywood Construction, you can feel confident that some of the highest quality materials available are always used to help ensure durable and long-lasting cabinets.

Note: According to the Department of Commerce, the core of hardwood and decorative plywood consists of a layer or layers of one or more material(s) that are situated between the face and back veneers. The core may be composed of a range of materials, including but not limited to veneers, particleboard, engineered wood and Medium Density Fiberboard (MDF).

PE	Plywood Ends
APC	All Plywood Construction
APFC	All Plywood Furniture Construction
FPEB	Furniture Plywood Ends
MI	Matching Interior
DE	Integrated Decorative End
OE	Operational End
AD_E	Attached Decorative End
CW	Change Width
RD	Reduced Depth
ID	Increased Depth
CH	Change Height
IF	Inverted Frame
TWR	Top Wide Rail
WR	Wide Bottom Rail
XS	Extended Stile
XSG	Integrated Extended Stile
GD	Glass Doors
RTK	Recessed Toe Kick
RTKP	Recessed Toe Kick Peninsula
TKD	Toe Kick Drawer



Standard Construction



Not all cabinets use Standard Construction, i.e. Wall Angle 27, Open and Furniture cabinets. Consult individual items for detailed information

PE	CH
APC	IF
APFC	TWR
FPEB	WR
MI	XS
DE	XSG
OE	GD
AD_E	RTK
CW	RTKP
RD	TKD
ID	

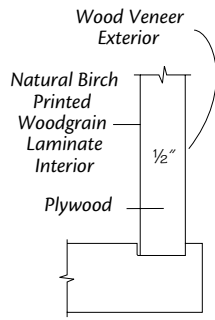
	Construction	Finish
Face Frame	3/4" x 1 1/2" Solid Hardwood	Exterior - To match door Interior - Unfinished
End Panels	1/2" 45 lb Engineered Wood	Exterior - Printed Woodgrain Laminate to match door Interior - Natural Birch Printed Woodgrain Laminate
Ceilings & Floors	1/2" 45 lb Engineered Wood	Exterior - Natural Birch Printed Woodgrain Laminate Interior - Natural Birch Printed Woodgrain Laminate
Shelves	3/4" 45 lb Engineered Wood	Natural Birch Printed Woodgrain Laminate with PVC Edgeband on Front Edge
Wall Backs	1/8" 45 lb Engineered Wood	Exterior - Unfinished Interior - Natural Birch Printed Woodgrain Laminate
Wall Hanging Rails	1/2" Solid Wood	Unfinished
Base & Tall Backs	3/8" 45 lb Engineered Wood	Exterior - Unfinished Interior - Natural Birch Printed Woodgrain Laminate
Base Hanging Rails	3/4" Solid Wood	Unfinished
Base Braces	I-Beam 1/2" 45 lb Engineered Wood	Unfinished
Shelf Clips	Wall - Tall - Open & Furniture Base	Satin Chrome Shelf Rests Clear Positive Locking Shelf Clip

Note: Applies to Laminate Door Styles as well

Plywood Ends

PE	Full Kitchens
PEB	Individual Cabinets

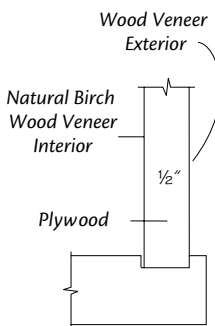
● PE	CH
APC	IF
APFC	TWR
FPEB	WR
MI	XS
DE	XSG
OE	GD
AD_E	RTK
CW	RTKP
RD	TKD
ID	



- This construction option affects end panels only
- Available for full or partial kitchen orders
- 1/2" plywood end panels are available for most cabinets
- Consult the Plywood Ends (PE) option box for your desired cabinet
- End panels only are 1/2" plywood with wood veneer exterior and Natural Birch printed wood grain laminate interior
- Shelves, ceilings and floors are engineered wood with printed wood grain laminate
- To order a full kitchen with Plywood Ends, use PE in the header of your order
- To order individual line items with Plywood Ends, dash each line item with PEB; Order Example: W3030-PEB
- Unless noted, plain sawn end panels will be supplied for quartersawn door styles
- Plywood End Panels do **not** receive glaze or highlight detailing
- Painted hardwood supplied for EverCore®

All Plywood Construction with 1/2" End Panels

APC	Full Kitchens
AP	Individual Cabinets

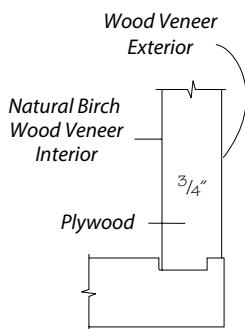


- This construction option is available for full or partial kitchen orders
- All Plywood Construction (APC) option with 1/2" End Panels is available for most cabinets
- Consult All Plywood Construction (APC) option box for your desired cabinet construction
- This All Plywood option features:
 - Unless noted, plain sawn end panels will be supplied for quartersawn door styles
 - Plywood End Panels do **not** receive glaze or highlight detailing
 - To order individual line items with All Plywood Construction you **must** place those items on a separate order with APC in the header
- **Note:** To get All Plywood Construction with 3/4" (Furniture) Plywood Ends use APFC with APC.
Order Example W3030BUTT-APFC, B12L-APFC (Refer to the APFC section for additional details on this option)
- **Note:** To get All Plywood Construction on individual cabinets, each line **must** be dashed with AP. Order Example: W3030-AP
- **Note:** To get All Plywood Construction with Matching Interior on individual cabinets use MIP. Order Example W3030BUTT-MIP, B12L-MIP (Refer to the MIP section for additional details on this option)
- **Note:** To get All Plywood Construction with 3/4" (Furniture) Plywood Ends and Matching Interior on individual cabinets use MIAPFC. Order Example W3030BUTT-MIAPFC, B12L-MIAPFC (Refer to the MIAPFC section for additional details on this option)

PE	CH
● APC	IF
APFC	TWR
FPEB	WR
MI	XS
DE	XSG
OE	GD
AD_E	RTK
CW	RTKP
RD	TKD
ID	

All Plywood Construction with 3/4" (Furniture) End Panels

APFC	Individual Cabinets
-------------	---------------------

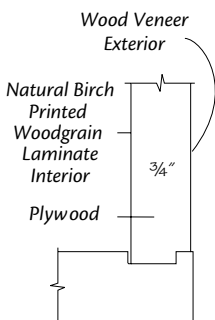


- This construction option affects end panels only
- An All Plywood Construction with 3/4" (Furniture) End Panels option is available for most cabinets
- Consult All Plywood Furniture Construction option box (APFC) for your desired cabinet
- This All Plywood option features:
 - Unless noted, plain sawn end panels will be supplied for quartersawn door styles
 - Plywood End Panels do **not** receive glaze or highlight detailing
 - Painted hardwood supplied for EverCore®
- **Note:** To get All Plywood Construction with 3/4" (Furniture) Plywood Ends on individual cabinets use APFC. Order Example W3030BUTT-APFC, B12L-APFC

PE	CH
APC	IF
● APFC	TWR
FPEB	WR
MI	XS
DE	XSG
OE	GD
AD_E	RTK
CW	RTKP
RD	TKD
ID	

Furniture Plywood Ends

FPEB	Individual Cabinets
-------------	---------------------

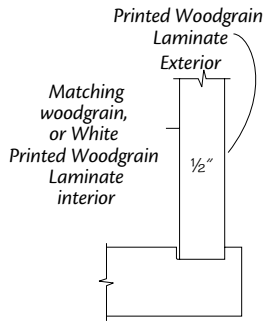


- This construction option affects end panels only
- 3/4" Furniture Plywood End (FPEB) panels are available for most cabinets
- Consult Furniture Plywood Ends (FPEB) option box for your desired cabinet
- End panels only are 3/4" plywood with wood veneer exterior and Natural Birch printed wood grain laminate interior
- Shelves, ceilings and floors are engineered wood with printed wood grain laminate
- To order individual line items with Furniture Plywood Ends, dash each line item with FPEB; Order Example: W3030-FPEB, WEP3+30L-FPEB
- Unless noted, plain sawn end panels will be supplied for quartersawn door styles
- Plywood End Panels do **not** receive glaze or highlight detailing
- Painted hardwood supplied for EverCore®
- **Note:** To get All Plywood Construction with 3/4" (Furniture) Plywood Ends use APFC with APC.
Order Example W3030BUTT-APFC, B12L-APFC (Refer to the APFC section for additional details on this option)

PE	CH
APC	IF
APFC	TWR
● FPEB	WR
MI	XS
DE	XSG
OE	GD
AD_E	RTK
CW	RTKP
RD	TKD
ID	

Matching Interior Standard Construction—Printed Woodgrain Laminate

MIV Individual Cabinets

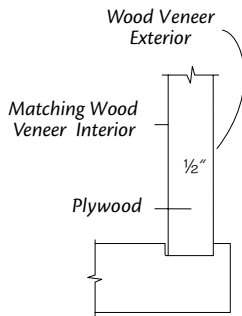


- A Matching Interior option is recommended for all cabinets having glass doors
- Consult Matching Interior (MI) option box for availability for your desired cabinet
- If an item shows MI as standard in the option boxes, the matching interior material will be printed woodgrain laminate unless that item's standard construction is All Plywood (APC), Wood Veneer or Furniture Plywood Ends (FPEB, APFC). This includes cabinets ordered as unfinished
- Inside of face frame is unfinished
- This option includes:
- You **must** use MIP, MIFP or MIAPFC to get a wood veneer matching interior
- Unless noted, plain sawn end panels will be supplied for quartersawn door styles
- Painted hardwood supplied for EverCore®

PE	CH
APC	IF
APFC	TWR
FPEB	WR
● MI	XS
DE	XSG
OE	GD
AD_E	RTK
CW	RTKP
RD	TKD
ID	

Matching Interior with 1/2" Plywood End Panels

MIP Individual Cabinets

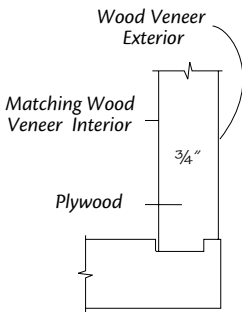


- A Matching Interior Plywood option is available for individual items in a kitchen
- A Matching Interior option is recommended for all cabinets having glass doors
- Consult Matching Interior (MI) option box for availability for your desired cabinet
- Inside of face frame is unfinished
- This option includes:
- To order individual line items with Matching Interior you **must** have each line item dashed with the appropriate codes MIP (Order Example: W3030-MIP, WEP3•30L-MIP)
- Unless noted, plain sawn end panels will be supplied for quartersawn door styles
- Painted hardwood supplied for EverCore®
- **Note:** To get Matching Interior Furniture Plywood Ends with All Plywood Construction use MIAPFC

PE	CH
APC	IF
APFC	TWR
FPEB	WR
● MI	XS
DE	XSG
OE	GD
AD_E	RTK
CW	RTKP
RD	TKD
ID	

Matching Interior with 3/4" (Furniture) End Panels on All Plywood (APC) Orders

MIAPFC Individual Cabinets

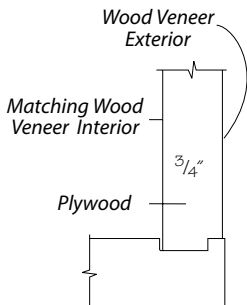


- A Matching Interior All Plywood Furniture option is available for individual items in a kitchen
- A Matching Interior option is recommended for all cabinets having glass doors
- Consult Matching Interior (MI) option box for availability for your desired cabinet
- Inside of face frame is unfinished
- This option includes:
- To order a full kitchen with Matching Interior (MI), you **must** have each line item dashed with MIAPFC.
Order Example: W3030-MIAPFC, WEP3•30L-MIAPFC
- Unless noted, plain sawn end panels will be supplied for quartersawn door styles
- Painted hardwood supplied for EverCore®

PE	CH
APC	IF
APFC	TWR
FPEB	WR
● MI	XS
DE	XSG
OE	GD
AD_E	RTK
CW	RTKP
RD	TKD
ID	

Matching Interior with 3/4" Furniture Plywood End Panels

MIFP Individual Cabinets



- A Matching Interior Furniture Plywood option is available for individual items in a kitchen
- A Matching Interior option is recommended for all cabinets having glass doors
- Consult Matching Interior (MI) option box for availability for your desired cabinet
- Inside of face frame is unfinished
- This option includes:
- To order individual line items with matching interior you **must** have each line item dashed with MIFP
Order Example: W3030BUTT-MIFP, WEP3•30L-MIFP
- Unless noted, plain sawn end panels will be supplied for quartersawn door styles
- Painted hardwood supplied for EverCore®
- **Note:** To get Matching Interior Furniture Plywood Ends with All Plywood Construction use MIAPFC

PE	CH
APC	IF
APFC	TWR
FPEB	WR
● MI	XS
DE	XSG
OE	GD
AD_E	RTK
CW	RTKP
RD	TKD
ID	

Wood Veneer Construction

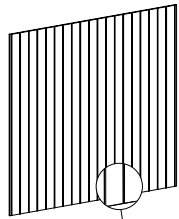
- Masterpiece offers certain cabinets with Wood Veneer Construction standard. Depending on the item, this may consist of a solid hardwood, plywood or engineered wood core that has solid wood veneer on both sides and is finished to match

Ordering Specifications for Plywood Options

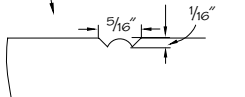
	Entire Kitchen	Individual Cabinets
Plywood Ends	<p>PE Use PE in the header of your written order. Every cabinet on this order will receive PE. Use Styles & Pricing in 20-20 to choose PE.</p>	<p>PEB (Plywood Ends Both) Each line item must be dashed with PEB. Order Example: W3030-PEB. In 20-20, use Attachments to apply PEB to each cabinet.</p>
	with Matching Interior	
	<p>Matching Interior nomenclature is only available for individual cabinets. There is no nomenclature to order a full kitchen with Matching Interior Plywood. See individual cabinet instructions.</p>	<p>MIP (Matching Interior Plywood) Each line item must be dashed with MIP. Order Example: W3030-MIP. In 20-20, use Attachments to apply MIP to each cabinet.</p>
Furniture Ends	<p>Furniture Ends nomenclature is only available for individual cabinets. There is no nomenclature to order a full kitchen with Furniture Ends. See individual cabinet instructions.</p>	<p>FPEB (Furniture Plywood Ends Both) Each line item must be dashed with FPEB. Order Example: W3030-FPEB. In 20-20, use Attachments to apply FPEB to each cabinet.</p>
	with Matching Interior	
	<p>Matching Interior nomenclature is only available for individual cabinets. There is no nomenclature to order a full kitchen with Matching Interior Furniture Plywood. See individual cabinet instructions.</p>	<p>MIFP (Matching Interior Furniture Plywood) Each line item must be dashed with MIFP. Order Example: W3030-MIFP. In 20-20, use Attachments to apply MIFP to each cabinet.</p>
All Plywood Construction	<p>APC Use APC in the header of your written order. Every cabinet on this order will receive APC. Use Styles & Pricing in 20-20 to choose APC.</p>	<p>AP (All Plywood) Each line item must be dashed with AP. Order Example: W3030-AP. In 20-20, use Add-ons to apply AP to each cabinet.</p>
	with Matching Interior	
	<p>Matching Interior nomenclature is only available for individual cabinets. There is no nomenclature to order a full kitchen with Matching Interior All Plywood. See individual cabinet instructions.</p>	<p>MIP (Matching Interior Plywood) Each line item must be dashed with MIP. Order Example: W3030-MIP. In 20-20, use Attachments to apply MIP to each cabinet.</p>
All Plywood Construction with Furniture Ends	<p>All Plywood Construction with Furniture Ends nomenclature is only available for individual cabinets. There is no nomenclature to order a full kitchen with All Plywood Construction Furniture Ends. See individual cabinet instructions.</p>	<p>APFC (All Plywood Furniture Ends Both) Use APC in the header of your written order and each line item must be dashed with APFC. Order Example: W3030-APFC. In 20-20, use Styles & Pricing to choose APC, then use Attachments to apply APFC to each cabinet.</p>
	with Matching Interior	
	<p>Matching Interior nomenclature is only available for individual cabinets. There is no nomenclature to order a full kitchen with Matching Interior Furniture All Plywood. See individual cabinet instructions.</p>	<p>MIAPFC (Matching Interior All Plywood Furniture Ends) Use APC in the header of your written order and each line item must be dashed with MIAPFC. Order Example: W3030-MIAPFC. In 20-20, use Styles & Pricing to choose APC, then use Attachments to apply MIAPFC to each cabinet.</p>

Construction Option Comparison Chart

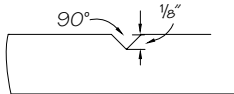
Feature	Description	Standard Construction	Plywood Ends	APC	FPEB	APFC
Face Frame	3/4" solid hardwood	●	●	●	●	●
End Panel Construction	1/2" 45 lb. engineered wood	●				
	1/2" plywood		●	●		
	3/4" plywood				●	●
End Panel Finish	2 mil Woodgrain Laminate both sides	●				
	Matching Woodgrain Laminate interior (Open cabinets)	●	●			
	Matching wood veneer interior (Furniture cabinets and WA27)	●	●	●	●	●
	2 mil Woodgrain Laminate interior and wood veneer exterior		●		●	
	Birch wood veneer interior and matching wood veneer exterior			●		●
Floor and Tops	1/2" 45 lb. engineered wood	●	●		●	
	1/2" plywood			●		●
Wall Backs	1/8" engineered wood with 2 mil Woodgrain Laminate interior	●	●		●	
	3/16" matching wood veneer (Furniture and open cabinets)		●	●	●	●
	3/16" plywood with birch wood veneer			●		●
	3/8" V-groove wood veneer (Beaded frame country cabinets)	●	●	●	●	●
Base & Tall Back	3/8" 45 lb. engineered wood with 2 mil Viraguard interior	●	●		●	
	3/16" matching wood veneer (Furniture cabinets)	●	●	●	●	●
	3/8" V-groove wood (Beaded frame country cabinets)	●	●	●	●	●
	3/8" plywood with birch wood veneer			●		●
	1/8" engineered wood with 2 mil Woodgrain Laminate Interior (Easy Reach and Base Angle cabinets)	●	●		●	
	3/16" plywood with birch wood veneer (Easy Reach and Base Angle cabinets)			●		●
Hanging Rails	3/4" solid wood base rails and 1/2" solid wood wall rails	●	●	●	●	●
Toe Kicks	1/2" 45 lb. engineered wood recessed into end panels	●	●		●	
	1/2" plywood with birch wood veneer			●		●
Corner Blocks I-Beam Braces	1/2" engineered wood, MDF or plywood dadoed into face frame, end panels and back hanging rails	●	●	●	●	●
Shelves	3/4" 45 lb. Evercore™ Wood with 2 mil Woodgrain Laminate and vinyl edgeband. Fully adjustable	●	●		●	
	3/4" wood veneer with prefinished edgeband. Fully adjustable. (Furniture cabinets)	●	●		●	
	3/4" plywood with birch wood veneer and edgeband. Fully adjustable			●		●
Drawers	3/4" Hardwood four sided dovetail drawer box with 3/16" plywood floor	●	●	●	●	●
Drawer Runners	Full extension ball bearing undermount with 90 lb. load capacity, self-closing design and controlled closing mechanism	●	●	●	●	●
Hinges	Whisper Touch™ soft closing, quiet, six-way adjustable hinge	●	●	●	●	●
Shelf Clips	Clear positive locking design	●	●	●	●	●
	Satin chrome shelf rests (Kitchen wall, open and furniture cabinets)	●	●	●	●	●
Wood Finish	MasterCoat™ topcoat	●	●	●	●	●
Wood Species	Alder	●	●	●	●	●
	Cherry	●	●	●	●	●
	Evercore™	●	●	●	●	●
	Hickory	●	●	●	●	●
	High-Gloss Foil		●	●	●	●
	Thermofoil		●	●	●	●
	Maple	●	●	●	●	●
	Oak	●	●	●	●	●
	Wood-Grain Foil		●	●	●	●



BEB



VGRB



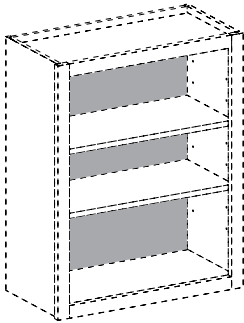
Back Option

- † **BEB** Beaded Back
- VGRB** V-groove Back
- † Painted hardwood supplied for EverCore®

- All Base, Wall and open Furniture cabinets may be ordered with an interior 3/8" wood V-Groove or Beaded Back option, unless noted
- **Not** available on cabinets ordered with an Integrated Decorative End (DE) or Operational End (OE) options
- **Not** available in Wood-Grain Foil door styles
- Order Example: WOC2430-VGRB

PE	CH
APC	IF
❖ APFC	TWR
FPEB	WR
❖ MI	XS
DE	XSG
OE	GD
AD_E	RTK
CW	RTKP
RD	TKD
ID	

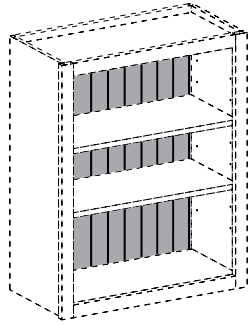
Contrasting Back Option—Plain Back



- CPLB .A21** Onyx Maple
- CPLB .A60** Autumn Blush Cherry
- CPLB .A80** Chocolate Cherry
- CPLB .A88** Chestnut Maple
- CPLB .A90** Cognac Cherry
- CPLB .A92** Cognac Maple
- CPLB .A99** Canvas Maple
- CPLB .B04** Dove White Maple
- CPLB .B13** Honey Spice Cherry
- CPLB .B15** Honey Spice Maple
- CPLB .B19** Kaffé Cherry
- CPLB .B28** Natural Cherry
- CPLB .B30** Natural Maple
- CPLB .B37** Peppercorn Cherry
- CPLB .B41** Praline Maple
- CPLB .B42** Sunset Cherry
- CPLB .B65M** Greyloft Maple
- CPLB .B69M** Midnight Maple
- CPLB .B81C** Saddle Cherry
- CPLB .B82C** Husk Cherry
- CPLB .B83M** Pebble Maple

- All Base, Wall and open Furniture cabinets may be ordered with an interior wood Contrasting Back Option unless noted (use the appropriate back option)
- Contrasting back material is Cherry or Maple only, depending on finish. Option is available in all door styles
- Order Example: WOC3030-CPLB-A70

PE	CH
APC	IF
❖ APFC	TWR
FPEB	WR
❖ MI	XS
DE	XSG
OE	GD
AD_E	RTK
CW	RTKP
RD	TKD
ID	

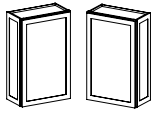


Contrasting Back Option–Beaded Back

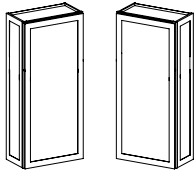
CBEB .A21	Onyx Maple
CBEB .A60	Autumn Blush Cherry
CBEB .A80	Chocolate Cherry
CBEB .A88	Chestnut Maple
CBEB .A90	Cognac Cherry
CBEB .A92	Cognac Maple
CBEB .A99	Canvas Maple
CBEB .B04	Dove White Maple
CBEB .B13	Honey Spice Cherry
CBEB .B15	Honey Spice Maple
CBEB .B19	Kaffé Cherry
CBEB .B28	Natural Cherry
CBEB .B30	Natural Maple
CBEB .B37	Peppercorn Cherry
CBEB .B41	Praline Maple
CBEB .B42	Sunset Cherry
CBEB .B65M	Greyloft Maple
CBEB .B69M	Midnight Maple
CBEB .B81C	Saddle Cherry
CBEB .B82C	Husk Cherry
CBEB .B83M	Pebble Maple

- All Base, Wall and open Furniture cabinets may be ordered with an interior 3/8" wood Contrasting Back Option unless noted (use the appropriate back option)
- Contrasting back material is Cherry or Maple only, depending on finish. Option is available in all door styles
- **Not** available on cabinets ordered with an Integrated Decorative End (DE) or Operational End (OE) options
- Order Example: WOC2430-CBEB•B04

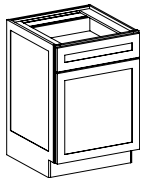
PE	CH
APC	IF
❖ APFC	TWR
FPEB	WR
❖ MI	XS
DE	XSG
OE	GD
AD_E	RTK
CW	RTKP
RD	TKD
ID	



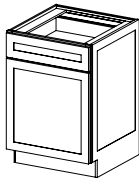
DWE.1



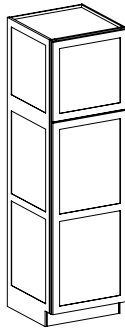
DWE.2



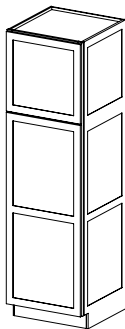
DBEL



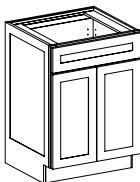
DBER



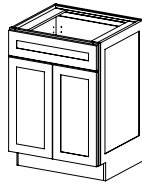
DTEL



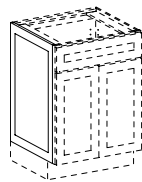
DTER



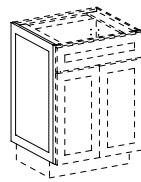
DVEL



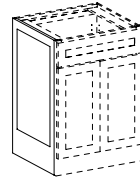
DVER



with VTK



with RTK



with WR

Integrated Decorative End

Base

DBE B 34 1/2" H & 40" H; 12" & 24" D

DBE R or L 34 1/2" H & 40" H; 12" & 24" D

Tall/Furniture Book Shelves

DTE B 60 1/2", 84", 87", 90", 93", & 96" H;
12", 18", 21" & 24" D

DTE R or L 60 1/2", 84", 87", 90", 93", & 96" H;
12", 18", 21" & 24" D

Vanity

DVE B 31 1/2" & 34 1/2" H; 18" & 21" D

DVE R or L 31 1/2" & 34 1/2" H; 18" & 21" D

Wall

DWE B.1 12" H - 33" H

DWE B.2 36" H - 54" H

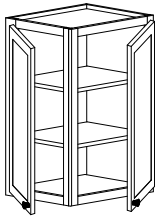
DWE R or L.1 12" H - 33" H

DWE R or L.2 36" H - 54" H

- Specify R or L
- Available in full overlay door styles only
- Available on select cabinets only
- The rail height on Integrated Decorative End will match rail height on the door
- The overall width of a cabinet will increase by 1/16", per end, when Integrated Decorative Ends are selected
- DWEB or any combination of Decorative Wall End and Wall Operational Ends (WOE) should only be used on Wall cabinets that are planned to be supported from underneath, placed on a floor, or placed on a countertop. Wall cabinets are **not** intended to be installed independently without additional support
- Toe kick notch will be standard construction with this option
- Veneer raised panel door styles will be supplied with a solid wood center panel machined to resemble the veneer center panel
- **Not** available in Thermofoil door styles
- **Not** available in slab door styles
- **Not** available in Wood-Grain Foil door styles
- Painted hardwood supplied for EverCore®
- **Not** available in Increased Depth (ID)
- **Not** available in Reduced Depth (RD)
- **Not** available with Wall Top Wide Rail (WTWR)
- **Not** available with Inverted Frame Option (IF)
- **Note:** Integrated Decorative Ends will have the selected finish on the interior and exterior of the integrated end. Other interior cabinet components will be natural unless a Matching Interior option is selected.
- **Note:** When DBE is used in combination with Peninsula cabinets, the working front drawer will be eliminated and replaced with a false front

PE	CH
APC	IF
◆ APFC	TWR
FPEB	WR
MI	XS
● DE	XSG
OE	GD
AD_E	RTK
CW	RTKP
RD	TKD
ID	

Operational End



WOE_1

Base

BOE R or L
BOE B

Tall

TOE R or L

Vanity

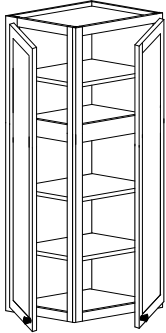
VOE R or L
VOE B

Wall
12"-33" H

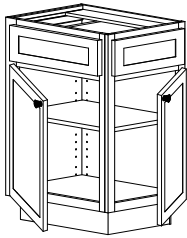
WOE R or L.1
WOE B.1

36-54" H

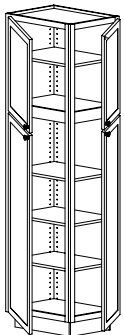
WOE R or L.2
WOE B.2



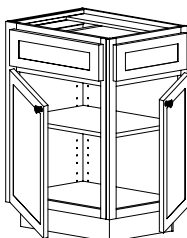
WOE_2



BOE



TOE



VOE

- Specify R or L
- Operational End (OE) will be attached to 2 1/2" frame stiles
- **Not** available on both ends of Tall cabinets
- Stacking configuration of Operational End (OE) will mimic the face of the selected cabinet; BUTT doors are **not** provided, single hinged door only
- Recessed Toe Kick (RTK) is standard on Base, Tall and Vanity cabinets
- Change Width (CW) can be used in combination with these construction options
- Change Height (CH) can be used in combination with these construction options
- If Wide Rail (WR) is selected, the side and front will have a wide rail
- Matching Interior (MI) is **not** standard but can be added as an option
- **Not** available on Peninsula cabinets, Wine Cabinets, Lattice Cabinets, Appliance Cabinets with Appliance Opening or Cabinets containing Rollout Trays (ROT)
- Operational End (OE) is **not** available with Increased Depth (ID) or Reduced Depth (RD) options
- Wall Operational End - Both (WOE.B) or any combination of Wall Operational Ends & Decorative Wall Ends (DWE_) should only be used on wall cabinets that are planned to be supported from underneath, placed on a floor or placed on a counter top.
- Wall cabinets are **not** intended to be installed independently without additional support
- Mullion doors and Camed glass designs are **not** available for 12" deep cabinets with Operational Ends (OE); the doors are **not** wide enough to accommodate these decorative door/glass types
- Camed Glass, Mullion Doors or Specialty Inserts are **not** available on multiple glass door positions (Front & End, Front & Ends Both, Top, Top & End, Top & Ends Both, Top & Bottom, Top & Bottom & End, Top & Bottom & Ends Both, Bottom, Bottom & End or Bottom & Ends Both)
- Glass doors **must** be ordered on front of cabinet to allow ordering of glass doors for Operational Ends (OE)

PE	CH
APC	IF
APFC	TWR
FPEB	WR
MI	XS
DE	XSG
● OE	GD
AD_E	RTK
CW	RTKP
RD	TKD
ID	



Whisper Touch Angle Restrictor Clips (WTHARC) are recommended for additional decorative hardware clearance

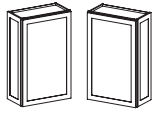


In 20-20 Operational End (OE) **must** be selected before adding glass to cabinet ends. Order Example:
W1830R - WOE.R.1-2BIS.1E

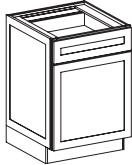


When ordering shelf kits for any Operational End (OE) cabinet be sure to order the shelf kits with the -OE suffix. This will provide your Operational End cabinet shelves with a complete and finished look

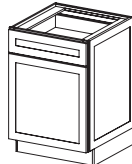
Attached Decorative End (Factory Applied Replacement Doors)



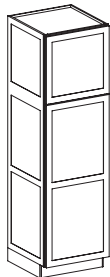
ADWE.1



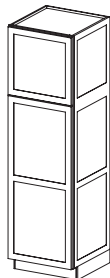
ADBEL



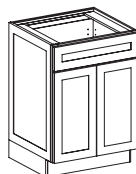
ADBER



ADTEL



ADTER



ADVEL



ADVER

Base

ADBE R or L

ADBE B

Tall

ADTE R or L

ADTE B

Vanity

ADVE R or L

ADVE B

Wall

12"-33" High

ADWE R or L.1

ADWE B.1

36"-54" High

ADWE R or L.2

ADWE B.2

Special Drilling for Attachments

ADE

- Specify R or L
- Factory Applied Decorative Door
- Available on Full and Half Overlay door styles
- Available on select cabinets only
- Oven Cabinets (OC) and Microwave Cooking Center cabinets (MCC_) ordered with Attached Decorative Tall Ends will be supplied with a door configuration that matches standard Utility (U) cabinets; tall lower door and short upper door
- Wall Lateral Bi-Fold Cabinets (WLBF) will be supplied with a single door
- Wall Appliance Garage cabinets (WAG) and Wall Stack cabinets (WST) will have two doors applied to align with the cabinet face
- ADE: This dash option will be used with replacement doors to ensure the special attachment pieces are installed into the door (Example: RD2430NH.B-ADE)

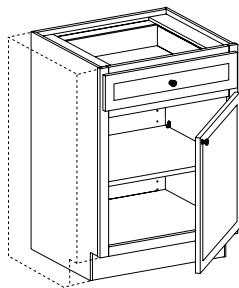
PE	CH
APC	IF
APFC	TWR
❖ FPEB	WR
MI	XS
DE	XSG
OE	GD
● AD_E	RTK
CW	RTKP
RD	TKD
ID	

Cabinet Dimension Modification Information

Cabinet Dimension Modifications		
Choose from the following and apply to cabinet code:		
One Dimension	Two Dimensions	Three Dimensions
CW (Change Width)	CW.RD (Change Width & Reduce Depth)	CW.RD.CH (Change Width, Reduce Depth & Change Height)
RD (Reduce Depth)	CW.ID (Change Width & Increase Depth)	
ID (Increase Depth)	RD.CH (Reduce Depth & Change Height)	CW.ID.CH (Change Width, Increase Depth & Change Height)
CH (Change Height)	ID.CH (Increase Depth & Change Height)	
	CW.CH (Change Width & Change Height)	

- Cabinets can be modified in 1/16" increments; specify overall finished dimensions to the nearest 1/16". Doors, drawer fronts and cabinet opening will be modified to coordinate with the new dimensions
- Height modifications will occur in the door portion of the cabinet
- Shelf quantities will remain consistent with original cabinet when cabinet dimensions are increased or decreased
- **Note:** For information on replacement doors and made-to-order doors, refer to the Decorative Appliance Panel section

Change Width



One Dimension
CW

- To order Change Width (CW) modifications, start with a larger cabinet and reduce down in 1/16" increments. Consult option availability chart for your desired cabinet
- Specify overall finished width.
Example 1: W1830L-CW 17 1/2";
Example 2: B30BUTT-CW 28 1/2"
(Example of incorrect request: W1830L-CW 19 1/2")
- Double door cabinets **cannot** be modified to less than 24" wide; single door cabinets **must** be used for this option
- Select Decorative Doors and Inserts are available with the Change Width (CW) option; refer to the Decorative Doors and Inserts section for specific availability
- Consult option availability chart for your desired cabinet
- Note:** Decorative Inserts are **not** available on cabinets less than 12" wide

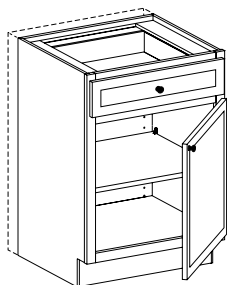
PE	CH
APC	IF
APFC	TWR
FPEB	WR
MI	XS
DE	XSG
OE	GD
AD_E	RTK
● CW	RTKP
RD	TKD
ID	

Change Width		
Cabinet	Min. Width	Max. Width
Wall	9"	48"
Base	9"	48"
Tall	9"	36"
Vanity Base	12"	60"



Consider using APDW (Appliance Panel Drawer Front) if a unique Filler Overlay size is required in your design. See "Custom Appliance Panels" section of this book for guidelines and parameters

Reduced Depth



One Dimension
RD

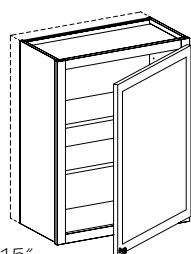
- Many cabinets can be reduced to your desired depth in 1/16" increments. We do have suggested minimums that control function of cabinets. See chart
- Any cabinet reduced in depth to less than 4 5/8" will be shipped as a Cabinet Front Only (CFO)
- Consult option availability chart for your desired cabinet
- Order Example: B24R-RD reduced depth to 20 1/4"

PE	CH
APC	IF
APFC	TWR
FPEB	WR
MI	XS
DE	XSG
OE	GD
AD_E	RTK
● RD	RTKP
ID	TKD

Cabinet	Drawer Box Depth
24"-27"	20 43/64"
21"-23 15/16"	17 23/32"
18"-20 15/16"	14 49/64"
15"-17 15/16"	11 13/16"
12"-14 15/16"	8 55/64"
less than 12"	No drawer

Reduced Depth		
Sugg. Min.	Cabinets	Reason
4 5/8"	All	Minimum for shelf hole drilling
9"	PB	Minimum for toe kick notch Less than 9" WR is mandatory
12"	Cabinets with drawers	Minimum for working drawer Less than 12" depth will have false drawer front
18"	BEA WEA	Minimum allowed
12"	WWH	Wine Storage section always 12" deep

Increased Depth



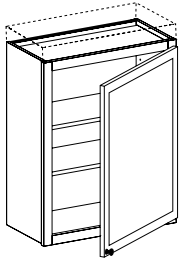
15"

One Dimension
ID

- Many wall cabinets can be increased to a 24" depth, in 1/16" increments
- Consult option availability chart for your desired cabinet
- Any wall cabinet over 24" wide, at least 30" high with a depth greater than 12" **must** be installed between two cabinets, a cabinet and a wall or supported from below. The same is also true for cabinets with BUTT doors
- Many Tall cabinets can be increased to a 27" depth, in 1/16" increments. Consult option availability chart for your desired cabinet
- Order Example: W2430R-ID increased depth to 16 1/4"
- Note:** Maximum cabinet width for this option is 36"

PE	CH
APC	IF
APFC	TWR
FPEB	WR
MI	XS
DE	XSG
OE	GD
AD_E	RTK
● ID	RTKP
RD	TKD

Change Height



One Dimension
CH

Change Height		
Cabinet	Min. Height	Max. Height
Wall	12"	54"
Base FH	16 1/2"	42"
Base	23"	42"
Tall	72 1/2"	96"
Vanity Base	23"	42"

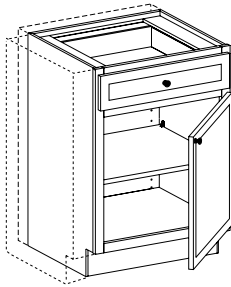
- Many cabinets can be modified to your desired height in 1/16" increments
- Consult option availability chart for your desired cabinet
- Specify overall finished height.
Example 1: W1836L-CH 33 1/2";
Example 2: B30BUTT-CH 40 1/2"
- To Change Height (CH) on wall cabinets 18 1/16" to 23 7/16" H, select a nominal 24" H cabinet (heights **cannot** be modified on 21" H cabinets); for heights 23 9/16" to 29 15/16" H, select a nominal 30" H cabinet (heights **cannot** be modified on 27" H cabinets)
- 34 1/2" H Base Cabinets can be increased in height to 42" H; height adjustments will be made to the door section of the base cabinet, therefore height adjustments are **not** available for drawer stack cabinets
- For Tall 72 1/2"–83 15/16" H, select a nominal 84" H cabinet; height adjustments will be made to the upper section of the tall cabinet. Cabinets changed to a height shorter than 81 1/2" will **not** have a shelf in the upper section

PE	●	CH
APC		IF
APFC		TWR
FPEB		WR
MI		XS
DE		XSG
OE		GD
AD_E		RTK
CW		RTKP
RD		TKD
ID		



Consider using APDW (Appliance Panel Drawer Front) if a unique Filler Overlay size is required in your design. See "Custom Appliance Panels" section of this book for guidelines and parameters

Change Width & Reduce Depth



Two Dimensions
CW.RD

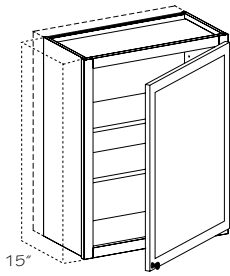
- Many cabinets can be modified to your desired width and depth. We do have suggested minimums that control function of cabinets
- Consult option availability chart for your desired cabinet
- Any cabinet reduced in depth to less than 4 5/8" will be shipped as a Cabinet Front Only (CFO)
- Double door cabinets **cannot** be modified to less than 24" wide; single door cabinets **must** be used for this option

PE		CH
APC		IF
APFC		TWR
FPEB		WR
MI		XS
DE		XSG
OE		GD
AD_E		RTK
●	CW	RTKP
●	RD	TKD
ID		

Cabinet	Drawer Box Depth
24"-27"	20 43/64"
21"-23 15/16"	17 23/32"
18"-20 15/16"	14 49/64"
15"-17 15/16"	11 13/16"
12"-14 15/16"	8 55/64"
less than 12"	No drawer

Change Width and Reduced Depth				
Cabinets	Min. Width	Max. Width	Min. Depth	Reasons for exceptions
Wall	9"	48"	4 5/8"	Minimum for shelf hole drilling
Base	9"	48"	4 5/8"	Minimum for shelf hole drilling
Tall	9"	36"	4 5/8"	Minimum for shelf hole drilling
Vanity Base	12"	60"	4 5/8"	Minimum allowed
Cabinets with drawers	N/A	N/A	12"	Minimum for working drawer Less than 12" depth will have false drawer front
Peninsula Base	9"	48"	9"	Minimum for toe kick notch Less than 9" WR is mandatory

Change Width & Increase Depth



Two Dimensions
CW.ID

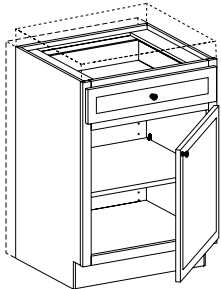
PE	CH
APFC	IF
APFC	TWR
FPEB	WR
MI	XS
DE	XSG
OE	GD
AD_E	RTK
● CW	RTKP
RD	TKD
● ID	

- Many cabinets can be modified to your desired width and depth
- Consult chart for the suggested minimums that control the functionality of cabinets
- Many wall cabinets can be increased to a 24" depth, in 1/16" increments
- Double door cabinets **cannot** be modified to less than 24" wide; single door cabinets **must** be used for this option
- Any wall cabinet over 24" wide, at least 30" high with a depth greater than 12" **must** be installed between two cabinets, a cabinet and a wall or supported from below. The same is also true for cabinets with BUTT doors

Change Width and Increased Depth

Cabinets	Min. Width	Max. Width	Max. Depth
Wall	9"	48"	24"
Base	9"	48"	24"
Tall	9"	36"	27"
Vanity Utility	12"	36"	27"
Peninsula Wall	9"	36"	15"

Reduce Depth & Change Height



Two Dimensions
RD.CH

PE	● CH
APC	IF
APFC	TWR
FPEB	WR
MI	XS
DE	XSG
OE	GD
AD_E	RTK
● RD	RTKP
ID	TKD

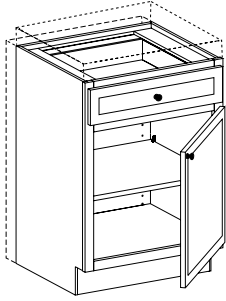
- Many cabinets can be changed to your desired depth and height
- Consult chart for suggested minimums that control the functionality of cabinet
- Any cabinet reduced in depth to less than 4 5/8" will be shipped as a Cabinet Front Only (CFO)
- To Change Height (CH) on wall cabinets 18 1/16" to 23 7/16" H, select a nominal 24" H cabinet (heights **cannot** be modified on 21" H cabinets); for heights 23 9/16" to 29 15/16" H, select a nominal 30" H cabinet (heights **cannot** be modified on 27" H cabinets)
- 34 1/2" H Base Cabinets can be increased in height to 42" H; height adjustments will be made to the door section of the base cabinet, therefore height adjustments are **not** available for drawer stack cabinets
- For Tall 72 1/2"–83 15/16" H, select a nominal 84" H cabinet; height adjustments will be made to the upper section of the tall cabinet. Cabinets changed to a height shorter than 81 1/2" will **not** have a shelf in the upper section
- Consult option availability chart for your desired cabinet

Cabinet	Drawer Box Depth
24"-27"	20 43/64"
21"-23 15/16"	17 23/32"
18"-20 15/16"	14 49/64"
15"-17 15/16"	11 13/16"
12"-14 15/16"	8 55/64"
less than 12"	No drawer

Reduced Depth and Change Height

Cabinets	Min. Depth	Min. Height	Max. Height	Reasons for exceptions
Wall	4 5/8"	12"	54"	Minimum for shelf hole drilling
Base FH	4 5/8"	16 1/2"	42"	Minimum for shelf hole drilling
Base	4 5/8"	23"	42"	Minimum for shelf hole drilling
Tall	4 5/8"	72 1/2"	96"	Minimum for shelf hole drilling
Vanity Base	4 5/8"	23"	42"	Minimum for shelf hole drilling
Cabinets with drawers	12"	N/A	N/A	Minimum for working drawer Less than 12" depth will have false drawer front
Peninsula Base	9"	23"	42"	Minimum for toe kick notch Less than 9" WR is mandatory
BEA	18"	23"	42"	Minimum allowed

Increase Depth & Change Height



Two Dimensions
ID.CH

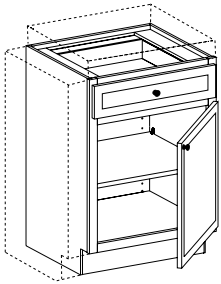
PE	●	CH
APC		IF
APFC		TWR
FPEB		WR
MI		XS
DE		XSG
OE		GD
AD_E		RTK
CW		RTKP
RD		TKD
●	ID	

- Many cabinets can be changed to your desired depth and height
- Consult chart for suggested minimums that control the functionality of cabinet
- Any wall cabinet over 24" wide, at least 30" high with a depth greater than 12" **must** be installed between two cabinets, a cabinet and a wall or supported from below. The same is also true for cabinets with BUTT doors
- Maximum Increased Depth (ID)
- To Change Height (CH) on wall cabinets 18 1/16" to 23 7/16" H, select a nominal 24" H cabinet (heights **cannot** be modified on 21" H cabinets); for heights 23 9/16" to 29 15/16" H, select a nominal 30" H cabinet (heights **cannot** be modified on 27" H cabinets)
- 34 1/2" H Base Cabinets can be increased in height to 42" H; height adjustments will be made to the door section of the base cabinet, therefore height adjustments are **not** available for drawer stack cabinets
- For Tall 72 1/2"–83 15/16" H, select a nominal 84" H cabinet; height adjustments will be made to the upper section of the tall cabinet. Cabinets changed to a height shorter than 81 1/2" will **not** have a shelf in the upper section
- Consult option availability chart for your desired cabinet
- **Note:** Maximum cabinet width for this option is 36"

Increased Depth and Change Height

Cabinets	Max. Depth	Min. Height	Max. Height
Wall	24"	12"	54"
Base FH	24"	16 1/2"	42"
Base	24"	23"	42"
Tall	27"	72 1/2"	96"
Vanity Utility	27"	72 1/2"	96"
Peninsula Wall	15"	12"	42"

Change Width & Change Height



Two Dimensions
CW.CH

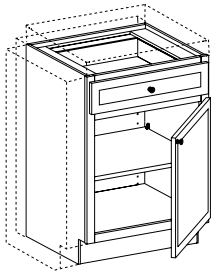
PE	●	CH
APC		IF
APFC		TWR
FPEB		WR
MI		XS
DE		XSG
OE		GD
AD_E		RTK
●	CW	RTKP
RD		TKD
ID		

- Many cabinets can be modified to your desired width and height
- Consult option availability chart for your desired cabinet
- Double door cabinets **cannot** be modified to less than 24" wide; single door cabinets **must** be used for this option
- To Change Height (CH) on wall cabinets 18 1/16" to 23 7/16" H, select a nominal 24" H cabinet (heights **cannot** be modified on 21" H cabinets); for heights 23 9/16" to 29 15/16" H, select a nominal 30" H cabinet (heights **cannot** be modified on 27" H cabinets)
- 34 1/2" H Base Cabinets can be increased in height to 42" H; height adjustments will be made to the door section of the base cabinet, therefore height adjustments are **not** available for drawer stack cabinets
- For Tall 72 1/2"–83 15/16" H, select a nominal 84" H cabinet; height adjustments will be made to the upper section of the tall cabinet. Cabinets changed to a height shorter than 81 1/2" will **not** have a shelf in the upper section

Change Width and Change Height

Cabinet	Min. Width	Max. Width	Min. Height	Max. Height
Wall	9"	48"	12"	54"
Base FH	9"	48"	16 1/2"	42"
Base	9"	48"	23"	42"
Tall	9"	36"	72 1/2"	96"
Vanity Base	12"	60"	23"	42"

Change Width, Reduce Depth & Change Height



Three Dimensions
CW.RD.CH

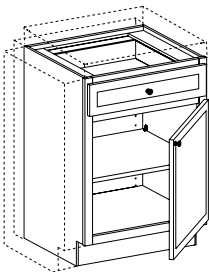
PE	●	CH
APC		IF
APFC		TWR
FPEB		WR
MI		XS
DE		XSG
OE		GD
AD_E		RTK
●	CW	RTKP
●	RD	TKD
●	ID	

Cabinet	Drawer Box Depth
24"-27"	20 43/64"
21"-23 15/16"	17 23/32"
18"-20 15/16"	14 49/64"
15"-17 15/16"	11 13/16"
12"-14 15/16"	8 55/64"
less than 12"	No drawer

- Many cabinets can be modified to your desired width, depth and height. We do have suggested minimums that control function of cabinets
- Consult option availability chart for your desired cabinet
- Any cabinet reduced in depth to less than 4 5/8" will be shipped as a Cabinet Front Only (CFO)
- Double door cabinets **cannot** be modified to less than 24" wide; single door cabinets **must** be used for this option
- To Change Height (CH) on wall cabinets 18 1/16" to 23 7/16" H, select a nominal 24" H cabinet (heights **cannot** be modified on 21" H cabinets); for heights 23 9/16" to 29 15/16" H, select a nominal 30" H cabinet (heights **cannot** be modified on 27" H cabinets)
- 34 1/2" H Base Cabinets can be increased in height to 42" H; height adjustments will be made to the door section of the base cabinet, therefore height adjustments are **not** available for drawer stack cabinets
- For Tall 72 1/2"-83 15/16" H, select a nominal 84" H cabinet; height adjustments will be made to the upper section of the tall cabinet. Cabinets changed to a height shorter than 81 1/2" will **not** have a shelf in the upper section

Change Width, Reduced Depth and Change Height						
Cabinets	Min. Width	Max. Width	Min. Depth	Min. Height	Max. Height	Reasons for exceptions
Wall	9"	48"	4 5/8"	12"	54"	Minimum for shelf hole drilling
Base FH	9"	48"	4 5/8"	16 1/2"	42"	Minimum for shelf hole drilling
Base	9"	48"	4 5/8"	23"	42"	Minimum for shelf hole drilling
Tall	9"	36"	4 5/8"	72 1/2"	96"	Minimum for shelf hole drilling
Vanity Base	12"	60"	4 5/8"	23"	42"	Minimum for shelf hole drilling
Peninsula Base	9"	48"	9"	23"	42"	Minimum for toe kick notch Less than 9" WR is mandatory
Minimum depth for working drawer is 12", less than 12" depth will have a false drawer front"						

Change Width, Increase Depth & Change Height



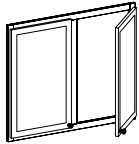
Three Dimensions
CW.ID.CH

PE	●	CH
APC		IF
APFC		TWR
FPEB		WR
MI		XS
DE		XSG
OE		GD
AD_E		RTK
●	CW	RTKP
●	RD	TKD
●	ID	

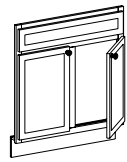
Change Width, Increased Depth and Change Height				
Cabinets	Min. Width	Max. Width	Max. Depth	Max. Height
Wall	9"	48"	24"	54"
Base	9"	48"	24"	42"
Tall	9"	36"	27"	96"
Vanity Utility	12"	36"	27"	96"
Peninsula Wall	9"	36"	15"	42"

- Many cabinets can be modified to your desired width, depth and height. We do have suggested minimums that control function of cabinets
- Consult option availability chart for your desired cabinet
- Any wall cabinet over 24" wide, at least 30" high with a depth greater than 12" **must** be installed between two cabinets, a cabinet and a wall or supported from below. The same is also true for cabinets with BUTT doors
- Double door cabinets **cannot** be modified to less than 24" wide; single door cabinets **must** be used for this option
- To Change Height (CH) on wall cabinets 18 1/16" to 23 7/16" H, select a nominal 24" H cabinet (heights **cannot** be modified on 21" H cabinets); for heights 23 9/16" to 29 15/16" H, select a nominal 30" H cabinet (heights **cannot** be modified on 27" H cabinets)
- 34 1/2" H Base Cabinets can be increased in height to 42" H; height adjustments will be made to the door section of the base cabinet, therefore height adjustments are **not** available for drawer stack cabinets
- For Tall 72 1/2"-83 15/16" H, select a nominal 84" H cabinet; height adjustments will be made to the upper section of the tall cabinet. Cabinets changed to a height shorter than 81 1/2" will **not** have a shelf in the upper section
- **Note:** Maximum cabinet width for this option is 36"

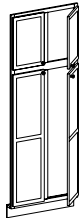
Cabinet Front Only



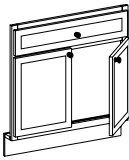
W3030-CFO



B30-CFO



U302484-CFO



VSB242134-CFO

CFO

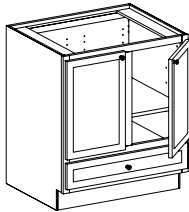
- Front frame and appropriate doors and drawer fronts only
- Toe kick attached where applicable except 93" and 96" tall
- Extended stiles available



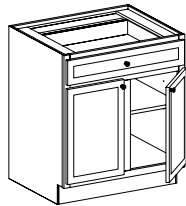
We recommend using this option on cabinetry containing no factory installed accessories, since all cabinet components will be eliminated except face frame, doors and drawer fronts. For example, order EZR36L-CFO instead of EZR36L. WSS-CFO or B18L-CFO instead of B18L.FWT-CFO

PE	CH
APC	IF
APFC	TWR
FPEB	WR
MI	XS
DE	XSG
OE	GD
AD_E	RTK
CW	RTKP
RD	TKD
ID	

Inverted Frame



B30-IF
Inverted Frame



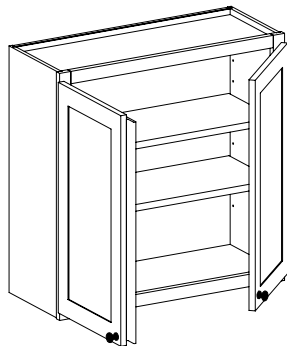
B30
Standard

IF

- Most Base and Vanity cabinets can be ordered with an Inverted Frame (IF)
- Consult option availability chart for your desired cabinet
- Bottom drawer box will be 2 1/4" deep
- Factory installed Roll-out Trays (ROT) are **not** available

PE	CH
APC	IF
APFC	TWR
FPEB	WR
MI	XS
DE	XSG
OE	GD
AD_E	RTK
CW	RTKP
RD	TKD
ID	

Mullion Strip Wall-Void Center Stile

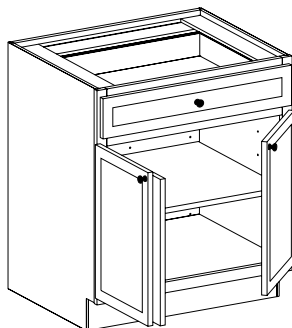


MSW

- On double door cabinets (30"–36" wide, up to 42" high) the center stile can be removed. When this is done, a mullion strip is attached to the left door.
- Solid wood
- Painted hardwood supplied for EverCore®
- Painted or Stained hardwood supplied for Wood-Grain Foil door styles
- Any wall cabinet over 24" wide, at least 30" high with a depth greater than 12" **must** be installed between two cabinets, a cabinet and a wall or supported from below. The same is also true for cabinets with BUTT doors
- **Not** available on Peninsula cabinets
- **Not** available with butt door cabinets
- Change Width (CW) option **not** available
- Change Height (CH) option **not** available

PE	CH
APC	IF
APFC	TWR
FPEB	WR
MI	XS
DE	XSG
OE	GD
AD_E	RTK
CW	RTKP
RD	TKD
ID	

Mullion Strip Base-Void Center Stile

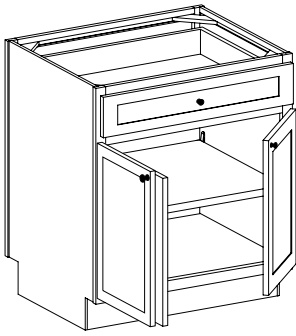


MSB

- On double door cabinets (30" or wider) the center stile can be removed. When this is done, a mullion strip is attached to the left door
- Order Example: B30-MSB
- Solid wood
- Painted hardwood supplied for EverCore®
- Painted or Stained hardwood supplied for Wood-Grain Foil door styles
- **Not** available with butt door cabinets
- Change Width (CW) option **not** available
- Change Height (CH) option **not** available
- **Not** available for use on cabinets with Rollout Trays installed
- **Note:** This option applies to base cabinets only

PE	CH
APC	IF
APFC	TWR
FPEB	WR
MI	XS
DE	XSG
OE	GD
AD_E	RTK
CW	RTKP
RD	TKD
ID	

Mullion Strip Peninsula Base-Void Center Stile



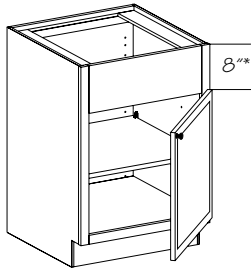
MSPBK Kitchen Side

MSPBP Peninsula Side

MSPBB Both Sides

- On double door cabinets (30" or wider) the center stile can be removed. When this is done, a mullion strip is attached to the left door.
- Solid wood
- Painted hardwood supplied for EverCore®
- Painted or Stained hardwood supplied for Wood-Grain Foil door styles
- **Not** available with butt door cabinets
- **Not** available for use on cabinets with Rollout Trays installed
- **Note:** This option applies to base peninsula cabinets only

PE	CH
APC	IF
APFC	TWR
FPEB	WR
MI	XS
DE	XSG
OE	GD
AD_E	RTK
CW	RTKP
RD	TKD
ID	



Top Wide Rail

- TWRB** Both Sides
- TWRK** Kitchen Side
- TWRP** Peninsula Side

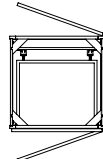
- We offer many base and vanity cabinets with a Top Wide Rail option. Consult option availability chart for your desired cabinet
- When Both Sides are selected, the cabinet will **not** have a drawer box or drawer fronts
- When Kitchen side is selected, the drawer box will be three inches shallower than the standard drawer box and will open to the Peninsula side
- When Peninsula side is selected, the drawer box will be three inches shallower than the standard drawer box and will open to the Kitchen side. See Illustration
- Quartersawn door styles have quartersawn top wide rail, cabinet frame is plain sawn wood
- Painted hardwood supplied for EverCore®
- Order Example: B36-TWR

PE	CH
APC	IF
APFC	● TWR
FPEB	WR
MI	XS
DE	XSG
OE	GD
AD_E	RTK
CW	RTKP
RD	TKD
ID	

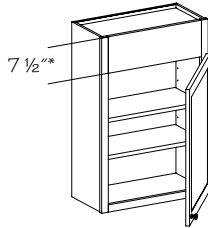
*The reveal on a cabinet with TWR varies depending on the door overlay. See chart.

Overlay	1/2"	Full
Reveal	7 1/2"	6 3/4"

Peninsula side



Kitchen side



Wall Top Wide Rail

WTWR 7 1/2"

- Many wall cabinets can be ordered with a wide top rail. Consult option availability chart for your desired cabinet
- Wall Top Wide Rail (WTWR) available on 12"-36" high cabinets only
- **Not** available on 27" high cabinets
- This option will add 6" to the interior and exterior nominal height
- Quartersawn door styles have quartersawn top wide rail, cabinet frame is plain sawn wood
- Top rail on 18" high cabinets will be 7", on 24" high cabinets 8", all other heights 7 1/2"
- Change Width (CW) option **not** available
- Change Height (CH) option **not** available
- Painted hardwood supplied for EverCore®

PE	CH
APC	IF
APFC	● TWR
FPEB	WR
MI	XS
DE	XSG
OE	GD
AD_E	RTK
CW	RTKP
RD	TKD
ID	

*The reveal on a cabinet with WTWR varies depending on the door overlay. See chart.

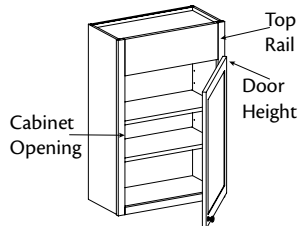
Overlay	1/2"	Full
18" H	6 1/2"	5 3/4"
24" H	7 1/2"	6 3/4"
All other walls	7"	6"



Remember, any replacement doors, interior accessories or options, including shelves, are based on the size of original cabinet, **not** the height after WTWR is added

Change Top Rail

Changing the top rail also changes:



CTR

- Many wall and tall cabinets can be ordered with a wide top rail
- (CTR) can be modified in 1/16" increments; with a min. of 1/16" or a max. of 6"
- The selected dimension will be added to the top rail and will equally reduce the cabinet opening and door height; the overall cabinet height will be unchanged
- (CW) can be used along with (CTR)
- (CH) option unavailable
- Example for (CTR): W2136L-CTR change rail by 2 1/4" (33 3/4"); U242484BUTT-CTR change rail by 1" (83")

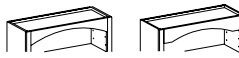
PE	CH
APC	IF
APFC	TWR
FPEB	WR
MI	XS
DE	XSG
OE	GD
AD_E	RTK
CW	RTKP
RD	TKD
ID	

Cabinet Valance Options



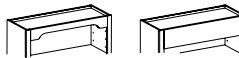
VCB

VCR



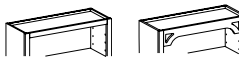
VCV

VSH



VF

VTWR



VST

VVIC

Corbel Valance

VCB 5 1/2"

Crown Valance

VCR 5 1/2"

Cove Valance

VCV 4 1/2"

Furniture Valance

VF 3 1/2"

Shaker Arched Valance

VSH 5 1/2"

Straight Rail Valance

VST 1 1/2"

VTWR 6"

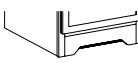
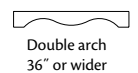
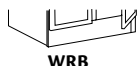
Victorian Valance

VVIC 5 1/2"

- On Furniture Cabinets and Wall Open Cabinets (WOC), the top rail can be ordered with an optional decorative valance
- WOC cabinets are manufactured with no valance as standard
- Valance options available in cabinets 15" and wider
- Order Example: FB5181248-VS
- Order Example: WOC3030-VCR

PE	CH
APC	IF
APFC	TWR
FPEB	WR
MI	XS
DE	XSG
OE	GD
AD_E	RTK
CW	RTKP
RD	TKD
ID	

Decorative Wide Rail Options



Wide Rail Plain

WRB
WRK
WRP

Wide Rail Corbel

WRCBB
WRCBK
WRCBP

Wide Rail Cove

WRCVB
WRCVK
WRCVP

Wide Rail Crown

WRCRB
WRCRK
WRCRP

Wide Rail Furniture

WRFB
WRFK
WRFP

Wide Rail Shaker

WRSHB
WRSHK
WRSHP

- We offer many base and tall cabinets with a variety of wide bottom rail options (WR). Consult option availability chart for your desired cabinet

- B=Both
K=Kitchen side
P=Peninsula side

- Decorative wide bottom rail only available on cabinets 15" or wider

- Ships with black toe kick installed, except for Wide Rail Plain (WR). Matching toe kick **must** be ordered separately and installed before cabinet is installed

- RTK and WR **not** available on same cabinet except when combining WR_K and RTKP options

- In quartersawn door styles, Wide Rail Plain will be quartersawn; all other decorative wide rail options will be plain sawn

- Painted hardwood supplied for EverCore® and Thermofoil

- Not** available on 93" and 96" high tall cabinets

- Mesa and Montresano supplied plain sawn

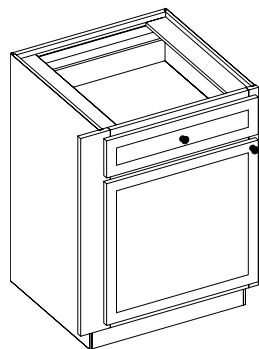
- Order Example: B30-WRAK



Remember, WRA-Wide Bottom Rail Arched Fret, WRSH-Shaker, WRA-Arched, WRCR-Crown, WRCB-Corbel, WRCV-Cove, and WRF-Furniture come with black toe kick behind. To finish the toe kick you **must** order MTK8 or WMTK8 and apply it BEFORE the cabinets are installed.

PE	CH
APC	IF
APFC	TWR
FPEB	● WR
MI	XS
DE	XSG
OE	GD
AD_E	RTK
CW	RTKP
RD	TKD
ID	

Extended Stile



Base

B3 XB
B3 XR or L
PB3 XBB
PB3 XBK or P
PB3 XR or LB
PB3 XR or LK
PB3 XR or LP

Wall

W3 XB
W3 XR or L
PW3 XBB
PW3 XBK or P
PW3 XR or LB
PW3 XR or LK
PW3 XR or LP

Tall

T3 XB
T3 XR or L

Vanity

V3 XB
V3 XR or L

Change Extended Stile Dimension
Base

B3 XR or L-CX

Wall

W3 XR or L-CX

Tall

T3 XR or L-CX

Vanity

V3 XR or L-CX

- Specify R or L

- 3" extended stiles are available. Stiles may be extended left, right or both. Consult option availability chart (XS) for your desired cabinet

- Use wall nomenclature for Furniture cabinets up to 66" high

- Change Stile Dimension (CX) is **not** available on both side of cabinet or on Peninsula cabinets

- Change Stile Dimension (CX) can be modified in 1/16" increments; min. of 1/16"; max. of 2 15/16"

- Painted hardwood supplied for EverCore®

- Order Example: B12L-B3XL. Order designation XL means 3" extended stile left, overall cabinet width is 15"

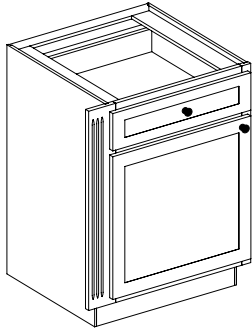
- Example for Change Stile Dimension (CX): B12L-B3XL.CX change stile to 3/4"

- Available with Change Width (CW) and Change Height (CH)

PE	CH
APC	IF
APFC	TWR
FPEB	● WR
MI	XS
DE	XSG
OE	GD
AD_E	RTK
CW	RTKP
RD	TKD
ID	

Cabinets	Left	Right	Left & Right	Cabinets	Left	Right	Left & Right	Cabinets	Left	Right	Left & Right
Wall	W3XL	W3XR	W3XB	Peninsula Wall (Kitchen side)	PW3XLK	PW3XRK	PW3XBK	Peninsula Base (Kitchen side)	PB3XLK	PB3XRK	PB3XBK
Tall	T3XL	T3XR	T3XB	Peninsula Wall (Peninsula side)	PW3XLP	PW3XRP	PW3XBP	Peninsula Base (Peninsula side)	PB3XLP	PB3XRP	PB3XBP
Base	B3XL	B3XR	B3XB	Peninsula Wall (Both sides)	PW3XLB	PW3XRB	PW3XBB	Peninsula Base (Both sides)	PB3XLB	PB3XRB	PB3XBB
Vanity	V3XL	V3XR	V3XB								

Fluted Extended Stile



Base

FB3 XB
FB3 XR or L
FPB3 XBB
FPB3 XR or LB
FPB3 XR or LK
FPB3 XBK or P
FPB3 XR or LP

Wall

FW3 XB
FW3 XR or L
FPW3 XBB
FPW3 XR or LB
FPW3 XR or LK
FPW3 XBK or P
FPW3 XR or LP

Tall

FT3 XB
FT3 XR or L

Vanity

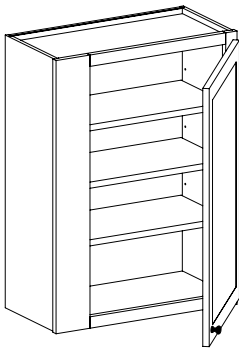
FV3 XB
FV3 XR or L

- Specify R or L
- 3" extended stiles are available. Stiles may be extended left, right or both. Consult option availability chart (XS) for your desired cabinet
- Use wall nomenclature for Furniture cabinets up to 66" high
- Minimum cabinet height 12"
- Painted hardwood supplied for EverCore®
- Mesa and Montresano supplied plain sawn
- Change Height (CH) option *not* available
- Order Example: B12L-FB3XL. Order designation XL means 3" extended stile left, overall cabinet width is 15"

PE	CH
APC	IF
APFC	TWR
FPEB	WR
MI	● XS
DE	XSG
OE	GD
AD_E	RTK
CW	RTKP
RD	TKD
ID	

Cabinets	Left	Right	Left & Right	Cabinets	Left	Right	Left & Right	Cabinets	Left	Right	Left & Right
Wall	FW3XL	FW3XR	FW3XB	Peninsula Wall (Kitchen side)	FPW3XLK	FPW3XRK	FPW3XBK	Peninsula Base (Kitchen side)	FPB3XLK	FPB3XRK	FPB3XBK
Tall	FT3XL	FT3XR	FT3XB	Peninsula Wall (Peninsula side)	FPW3XLP	FPW3XRP	FPW3XBP	Peninsula Base (Peninsula side)	FPB3XLP	FPB3XRP	FPB3XBP
Base	FB3XL	FB3XR	FB3XB	Peninsula Wall (Both sides)	FPW3XLB	FPW3XRB	FPW3XBB	Peninsula Base (Both sides)	FPB3XLB	FPB3XRB	FPB3XBB
Vanity	FV3XL	FV3XR	FV3XB								

Integrated Extended Stile



Base

BG3 XB
BG3 XR or L

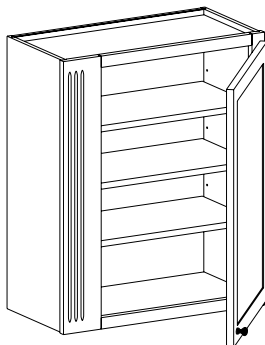
Wall

WG3 XB
WG3 XR or L

- Specify R or L
- 3" integrated extended stiles are available. Stiles may be extended left, right or both. Consult option availability chart (XSG) for your desired cabinet
- Deluxe Roll-out Trays (DXROT) *cannot* be added to base cabinets with this option
- WG3XB is *not* available on wall cabinets that have a built-in center stile
- Change Width (CW) option *not* available
- Change Height (CH) option *not* available
- Painted hardwood supplied for EverCore®
- Order Example: B12L-BG3XL. Order designation G3XL means 3" integrated extended stile left, overall cabinet width is 15"
- *Not* available to be used with Integrated Decorative Ends

PE	CH
APC	IF
APFC	TWR
FPEB	WR
MI	XS
DE	● XSG
OE	GD
AD_E	RTK
CW	RTKP
RD	TKD
ID	

Fluted Integrated Extended Stile



Base

FBG3 XB
FBG3 XR or L

Wall

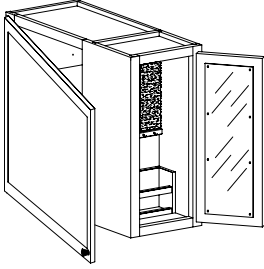
FWG3 XB
FWG3 XR or L

- Specify R or L
- 3" integrated extended stiles are available. Stiles may be extended left, right or both. Consult option availability chart (XSG) for your desired cabinet
- FBG3XB is *not* available on wall cabinets that have a built-in center stile
- Painted hardwood supplied for EverCore®
- Mesa and Montresano supplied plain sawn
- Change Width (CW) option *not* available
- Change Height (CH) option *not* available
- Order Example: B12L-FBG3XL. Order designation G3XL means 3" integrated extended stile left, overall cabinet width is 15"
- *Not* available to be used with Integrated Decorative Ends

PE	CH
APC	IF
APFC	TWR
FPEB	WR
MI	XS
DE	● XSG
OE	GD
AD_E	RTK
CW	RTKP
RD	TKD
ID	

Integrated Message Center - Wall

IMCW .R or L

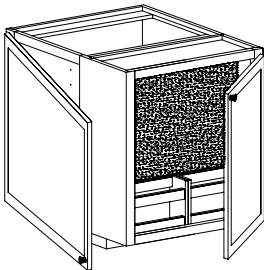


- Specify R or L
- Available on 12" deep cabinets only
- Available on cabinets 18" to 36" wide (30" - 36" wide cabinets **must** have BUTT doors) - overall cabinet width will **not** change
- Available on cabinets 30", 33", 36", 39", and 42" high
- Message Center section is 6" wide (deep)
- Cabinet width remains the same, cabinet opening becomes 6" narrower
- Includes: Dry erase board, key hooks, cork board and Utensil organizer
- Cabinet construction defaults to All Plywood Furniture Construction (APFC) when this option is selected
- The overall width of a cabinet will increase by 1/16", when Integrated Message Center Wall is selected

PE	CH
APC	IF
APFC	TWR
FPEB	WR
MI	XS
DE	XSG
OE	GD
AD_E	RTK
CW	RTKP
RD	TKD
ID	

Integrated Message Center - Base

IMCB .R or L

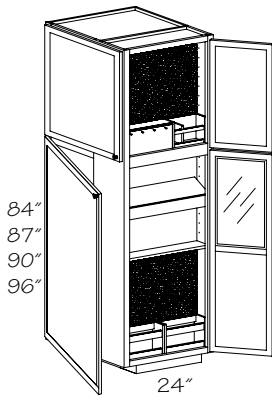


- Specify R or L
- Available on 24" deep cabinets only
- Available on cabinets 18" to 36" wide (30" - 36" wide cabinets **must** have BUTT doors) - overall cabinet width will **not** change
- Available on 34 1/2" high cabinets
- Message Center section is 6" wide (deep)
- Cabinet width remains the same, cabinet opening becomes 6" narrower
- Includes cork board and two magazine racks (Magazine rack is built-in)
- Cabinet construction defaults to All Plywood Furniture Construction (APFC) when this option is selected
- The overall width of a cabinet will increase by 1/16", when Integrated Message Center Base is selected

PE	CH
APC	IF
APFC	TWR
FPEB	WR
MI	XS
DE	XSG
OE	GD
AD_E	RTK
CW	RTKP
RD	TKD
ID	

Integrated Message Center - Utility

IMCU .R or L

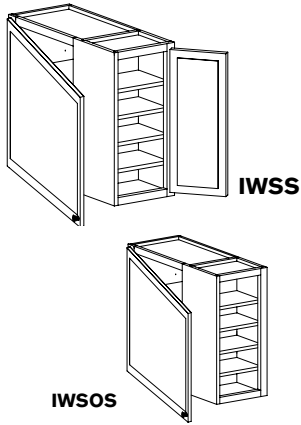


- Specify R or L
- Available on 24" deep cabinets only
- Available on cabinets 18" to 36" wide (30" - 36" wide cabinets **must** have BUTT doors) - overall cabinet width will **not** change
- Available on 84", 87", 90", 93", and 96" high cabinets
- Message Center section is 6" wide (deep)
- Cabinet width remains the same, cabinet opening becomes 6" narrower
- Top section features: Key hooks, cork board and organizer unit
- Bottom section features: Dry erase board, cork board, 2 magazine racks, 1 shelf, charging station (two - three-prong and two USB outlets)
- Requires separate power source in bottom section
- Cabinet construction defaults to All Plywood Furniture Construction (APFC) when this option is selected
- The overall width of a cabinet will increase by 1/16", when Integrated Message Center Utility is selected
- **Note:** Integrated Message Centers are only available on Utility (U) and Utility Stack (UST) cabinets

PE	CH
APC	IF
APFC	TWR
FPEB	WR
MI	XS
DE	XSG
OE	GD
AD_E	RTK
CW	RTKP
RD	TKD
ID	



Be sure to order a shelf kit that is 6" narrower (nominally) than the cabinet width when using Integrated Storage options. Order Example: U302484BUTT-IMCU.R requires a SK2424



Integrated Wall Spice Shelf and Open Integrated Storage

Integrated Spice Shelf Wall

IWSS .R or L

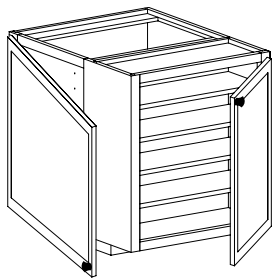
Open Integrated Storage

IWSOS .R or L

- Specify R or L
- Available on 12" deep cabinets only
- Available on cabinets 18" to 36" wide (30" - 36" wide cabinets **must** have BUTT doors) - overall cabinet width will **not** change
- Available on cabinets 30", 33", 36", 39", and 42" high
- Spice Shelf and Open Integrated Storage section is 6" wide
- Cabinet width remains the same, cabinet opening becomes 6" narrower
- Cabinet construction defaults to All Plywood Furniture Construction (APFC) when this option is selected
- The overall width of a cabinet will increase by 1/16", when Integrated Wall Spice Shelf or Open Integrated Storage is selected

PE	CH
APC	IF
APFC	TWR
FPEB	WR
MI	XS
DE	XSG
OE	GD
AD_E	RTK
CW	RTKP
RD	TKD
ID	

Integrated Base Spice Shelf

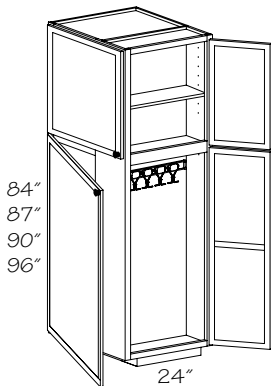


IBSS .R or L

- Specify R or L
- Available on 24" deep cabinets only
- Available on cabinets 18" to 36" wide (30" - 36" wide cabinets **must** have BUTT doors) - overall cabinet width will **not** change
- Available on 34 1/2" high cabinets
- Cabinet width remains the same, cabinet opening becomes 6" narrower
- Cabinet construction defaults to All Plywood Furniture Construction (APFC) when this option is selected
- The overall width of a cabinet will increase by 1/16", when Integrated Base Spice Shelf is selected

PE	CH
APC	IF
APFC	TWR
FPEB	WR
MI	XS
DE	XSG
OE	GD
AD_E	RTK
CW	RTKP
RD	TKD
ID	

Integrated Utility Cleaning Storage

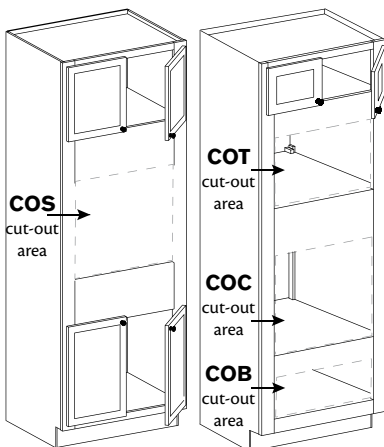


IUCS .R or L

- Specify R or L
- Available on 24" deep cabinets only
- Available on cabinets 18" to 36" wide (30" - 36" wide cabinets **must** have BUTT doors) - overall cabinet width will **not** change
- Available on 84", 87", 90", 93", and 96" high cabinets
- Cleaning storage section is 6" wide (deep)
- Cabinet width remains the same, cabinet opening becomes 6" narrower
- Cabinet construction defaults to All Plywood Furniture Construction (APFC) when this option is selected
- The overall width of a cabinet will increase by 1/16", when Integrated Utility Cleaning Storage is selected
- **Note:** Integrated Cleaning Supply only available with Utility Extended Bottom (UEB) cabinet

Utility Extended Bottom (UEB) shown

PE	CH
APC	IF
APFC	TWR
FPEB	WR
MI	XS
DE	XSG
OE	GD
AD_E	RTK
CW	RTKP
RD	TKD
ID	



Oven Cabinet Cut-out

Single cut-out

COS

Top cut-out

COT

Center cut-out

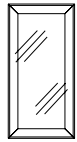
COC

Bottom cut-out

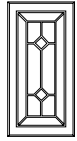
COB

- Cut-out (COS, COT, COC and COB) options help make appliance installations easier by eliminating required field-cuts to the cabinet face frame
- Cut-out Single (COS) is only available on Single and Double Oven cabinets (OC_S & OC_D) with one cutout opening. Examples: OC302484S-COS, OC332496D-COS
- Cut-out Top (COT), Cut-out Center (COC) and Cut-out Bottom (COB) is only available on Oven Cabinet Combination (OC_C)
- Cut-out Top (COT), Cut-out Center (COC) and Cut-out Bottom (COB) can be used together on the same cabinet - max dimensions will vary for Cut-out Center (COC) depending on the cut-out dimensions used on the top section (COT) - see min-max chart for details. Charts will be in the Tall Appliance Cabinet section
- Cut-out opening **cannot** exceed the maximum dimensions listed for each Oven Cabinet
- Change Width (CW) option **not** available

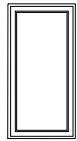
APC	IF
APFC	TWR
MI	WR
DE	XS
OE	XSG
AD_E	GD
CW	RTK
RD	RTKP
ID	TKD
CH	



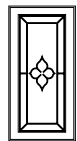
Aluminum Frame



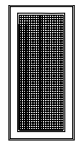
Cameo



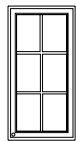
Classic



Etched



Layered



Mullion



Textured

Glass Door Inserts

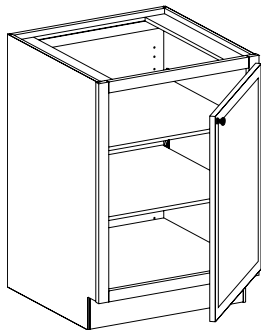
GD

- For complete listing of glass door specifications, see Decorative Doors and Inserts section
- Annealed Glass
Glass that has been cooled with precise control to relieve stress introduced by the manufacturing process. This annealing process makes the glass workable, i.e. easier to cut, machine, etc. Common household glass is annealed glass. It is NOT safety glass

PE	CH
APC	IF
APFC	TWR
FPEB	WR
MI	XS
DE	XSG
OE	GD
AD_E	RTK
CW	RTKP
RD	TKD
ID	

- Laminated Safety Glass
When broken, laminated safety glass is held together by the adhesives that are used in the manufacturing process. This generally helps keep large pieces of glass from falling from the opening. Nevertheless, small pieces and/or chips may still fall, and the precise size of pieces of glass that will break is difficult to identify and describe
- Tempered Glass
Tempering uses either a thermal or chemical process to quickly harden the glass, which compresses its surface. Compressing the surface increases the amount of tensile stress that can be endured before breakage occurs. When it does break, tempered glass generally breaks into very small pieces
- Note:** Most doors (12" or wider and up to 62" high) can be supplied prepared for glass, with glass inserts, Mullion glass or Aluminum Frame doors

Full-Height Doors

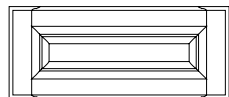


- FHB** Full Height Both Sides (Peninsula cabinets only)
- FHK** Full Height Kitchen Side (Standard and peninsula cabinets)
- FHP** Full Height Peninsula Side (Peninsula cabinets only)

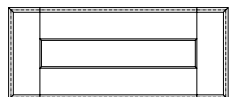
- This option is designed to replace a drawer and door combination with a full-height door. Any cabinet that has accessories in the top drawer, (Example: BCC36); or a stack of drawers next to door, (Example: VCD42) is **not** available in this option
- Available in select base, vanity and desk cabinets
- Change Width (CW) option **not** available
- Change Height (CH) option **not** available

PE	CH
APC	IF
APFC	TWR
FPEB	WR
MI	XS
DE	XSG
OE	GD
AD_E	RTK
CW	RTKP
RD	TKD
ID	

Deluxe Raised or Recessed Panel Drawer Front



Raised Panel



Recessed Panel

DRPD

- Converts standard drawer front to a five-piece design
- Available on Atticus, Burton, Cimmaron, Fairlane, Fox Court (Half & Full), Gallina, Ganon (Half & Full), Mesa, Montresano, Rockwell, Townley and Turner. Reference the door style section for specific details on drawer front design by size

PE	CH
APC	IF
APFC	TWR
FPEB	WR
MI	XS
DE	XSG
OE	GD
AD_E	RTK
CW	RTKP
RD	TKD
ID	

Classic Drawer Front

CLDF

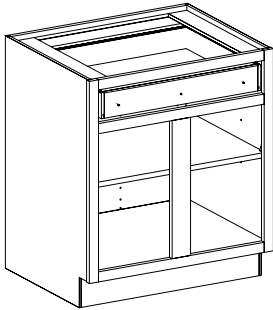


- Available on Capri White, Coleson, Jade, Martel (Half & Full), Savona White, Sawyer and Sylvan

PE	CH
APC	IF
APFC	TWR
FPEB	WR
MI	XS
DE	XSG
OE	GD
AD_E	RTK
CW	RTKP
RD	TKD
ID	

Void All Doors and Drawer Fronts

VDA

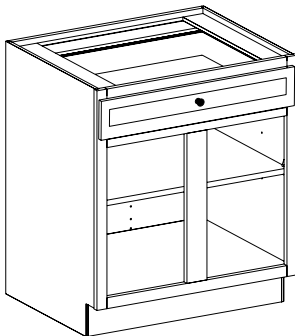


- All cabinets can be ordered with VDA. This option removes all doors and drawer fronts. Drawer boxes remain. Hinges are **not** included
- **Note:** VDA only removes doors and drawer fronts. Panels and center stiles will still be attached

PE	CH
APC	IF
APFC	TWR
FPEB	WR
MI	XS
DE	XSG
OE	GD
AD_E	RTK
CW	RTKP
RD	TKD
ID	

Void Doors Only

VDO

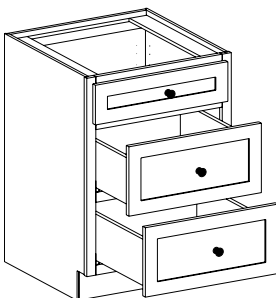


- Cabinets with a door and drawer combination may be ordered with VDO. This option removes all doors. Drawer fronts and boxes remain. Hinges are **not** included

PE	CH
APC	IF
APFC	TWR
FPEB	WR
MI	XS
DE	XSG
OE	GD
AD_E	RTK
CW	RTKP
RD	TKD
ID	

Void Top Drawer Box

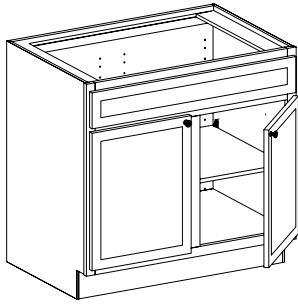
VTDW



- This option removes top drawer box and runner system on multi-drawer stacks
- Drawer fronts will be attached as a false front
- **Note:** This option will affect the top drawer only on a cabinet

PE	CH
APC	IF
APFC	TWR
FPEB	WR
MI	XS
DE	XSG
OE	GD
AD_E	RTK
CW	RTKP
RD	TKD
ID	

Void All Drawer Boxes

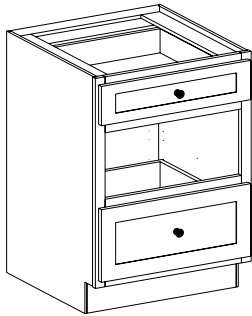


VDW

- This option removes all drawer boxes and runner systems
- Drawer fronts will be attached as a false front
- **Note:** This option will affect all drawers on a cabinet. You **cannot** specify single drawers on a multi-drawer cabinet

PE	CH
APC	IF
APFC	TWR
FPEB	WR
MI	XS
DE	XSG
OE	GD
AD_E	RTK
CW	RTKP
RD	TKD
ID	

Prep for Warming Drawer



PWD

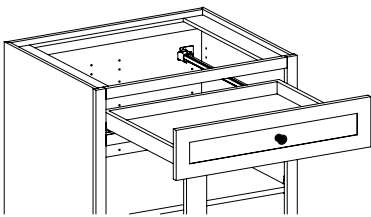
Cut out dimensions

Cabinet	Min Wd	Max Wd	Min Ht	Max Ht
BPPS24	21"	22½"	9½"	10"
BPPS27	24"	25½"	9½"	10"
BPPS30	27"	28½"	9½"	10"
BPPS33	30"	31½"	9½"	10"
BPPS36	36"	34½"	9½"	10"

- This option removes the center drawer box, drawer front and runner system of a BPPS to allow for field installation of a warming drawer only
- Check manufacturer's requirements before ordering
- Available on BPPS 24–36
- Order Example: BPPS 30-PWD

PE	CH
APC	IF
APFC	TWR
FPEB	WR
MI	XS
DE	XSG
OE	GD
AD_E	RTK
CW	RTKP
RD	TKD
ID	

Scoop Top Drawer

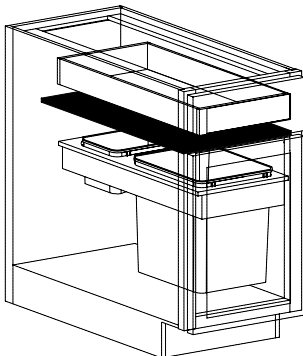


STDW

- Reduced height drawer box for top drawer of base cabinet only
- 4" high drawer box reduced to 2 1/4" solid wood
- 7" high drawer box reduced to 4" solid wood
- 11" high drawer box reduced to 7" plywood

PE	CH
APC	IF
APFC	TWR
FPEB	WR
MI	XS
DE	XSG
OE	GD
AD_E	RTK
CW	RTKP
RD	TKD
ID	

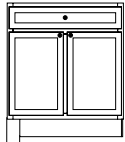
Wastebasket Drawer Partition



WDP

- Partition between the wastebasket and top drawer
- Available on all Wastebasket cabinets with a top drawer
- **Not** available with Integrated Decorative End (DE) Option
- **Not** available with Operational End Door (OE) option

PE	CH
APC	IF
APFC	TWR
FPEB	WR
MI	XS
DE	XSG
OE	GD
AD_E	RTK
CW	RTKP
RD	TKD
ID	

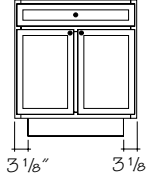
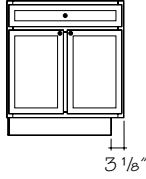


B30-RTKL
Recessed toe kick left

Recessed Toe Kick

- RTKB** Both
- RTKL** Left
- RTKR** Right

B30-RTKR
Recessed toe kick right



B30-RTKB
Recessed toe kick both

- Most Base, Tall and Vanity cabinets can be ordered with a recessed toe kick. Consult option availability chart for desired cabinet
- You **must** specify end or ends to receive recessed toe kick
- Painted hardwood supplied for EverCore®
- Additional bottom support is recommended when using RTKB on peninsula cabinets wider than 27"
- RTK and WR **not** available on same cabinet except when combining WR_K and RTKP options
- **Not** available on 93" and 96" high tall cabinets
- Change Width (CW) option **not** available
- Change Height (CH) option **not** available

PE	CH
APC	IF
APFC	TWR
FPEB	WR
MI	XS
DE	XSG
OE	GD
AD_E	● RTK
CW	RTKP
RD	TKD
ID	



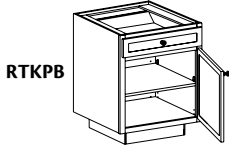
We recommend Recessed Toe Kicks (RTKR or RTKL) on base cabinets at the end of peninsula runs or island applications.

Recessed Toe Kick Peninsula



RTKP

- RTKP** Back
- RTKPB** Back and both sides
- RTKPL** Back and left side
- RTKPR** Back and right side



RTKPB



RTKPL



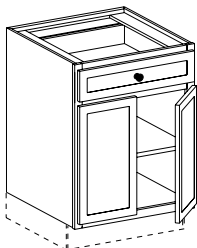
RTKPR

- Select Base and Office Cabinets may be ordered with a Recessed Toe Kick on the back (Peninsula) side. Consult option availability chart for desired cabinet
- You **must** specify end or ends to receive Recessed Toe Kick Peninsula
- Painted hardwood supplied for EverCore®
- Additional bottom support is recommended when using RTKPB on cabinets wider than 27"
- RTK and WR **not** available on same cabinet except when combining WR_K and RTKP options
- **Not** available on cabinets less than 21" deep
- Change Width (CW) option **not** available
- Change Height (CH) option **not** available

PE	CH
APC	IF
APFC	TWR
FPEB	WR
MI	XS
DE	XSG
OE	GD
AD_E	RTK
CW	● RTKP
RD	TKD
ID	

Void Toe Kick

VTK

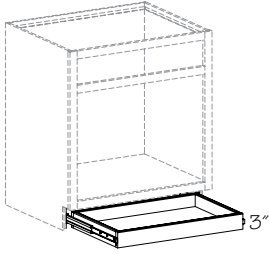


- Select Base, Tall, Office, Furniture and Vanity Cabinets may be ordered without the toe kick
- Allows decorative feet to be used under cabinet
- Decorative feet or legs should support the cabinet by way of the end panels, **not** the cabinet floor
- Full overlay door styles are **not** to be placed directly on the floor
- Cabinets are **not** intended to be free-standing units, they **must** be attached to a wall stud or anchored to the floor to achieve sufficient stability
- **Not** available on Universal Access cabinets
- **Not** available on 93" and 96" high tall cabinets
- **Not** available with Wide Rail (WR) option
- **Not** available on cabinets with a decorative toe kick

PE	CH
APC	IF
APFC	TWR
FPEB	WR
MI	XS
DE	XSG
OE	GD
AD_E	RTK
CW	RTKP
RD	TKD
ID	

Toe Kick Drawer

TKD



- Available on cabinets 12" to 42" wide
- Available on cabinets 18" to 24" deep
- **Not** available on 93" and 96" Utility cabinets
- **Not** available with the following cabinet types: Wall cabinets, corner cabinets, angled cabinets, CoreGuard Sink Base, Passport cabinets
- **Cannot** be used with Operational Ends (OE)
- Push-to-open side-mount drawer runners (does **not** include soft-close) - with 100 pound weight capacity
- Drawer box is 3" high - 3/4" thick front, back and sides
- Drawer has 2 3/4" clearance to bottom of cabinet face frame
- Do **not** use the Toe Kick Drawer as a stepping platform
- 7/8" clearance between the bottom of the end panel to the bottom of the drawer box
- Matching Toe Kick required - field trimmed/installed
- **Cannot** be used where obstacles protrude from the floor
- **Note:** Toe kick lighting **must** be recessed behind the cabinet with Toe Kick Drawers

PE	CH
APC	IF
APFC	TWR
FPEB	WR
MI	XS
DE	XSG
OE	GD
AD_E	RTK
CW	RTKP
RD	● TKD
ID	

Wall Cabinets

Construction Options and Modifications

WR	30	12
code	width	height

- ❖ Included as standard
- Available with an upcharge
- ☆ Available with exceptions
- (Blank) **Not** available

- PE Plywood Ends
- APC All Plywood Construction
- APFC All Plywood Furniture Construction
- FPEB Furniture Plywood Ends
- MI Matching Interior
- DE Integrated Decorative End
- OE Operational End
- AD_E Attached Decorative End
- CW Change Width
- RD Reduced Depth
- ID Increased Depth
- CH Change Height
- TWR Top Wide Rail
- XS Extended Stile
- XSG Integrated Extended Stile
- GD Glass Doors

Note: Standard wall cabinet box depth is 12" unless stated otherwise. Add door thickness with bumpers for total depth.

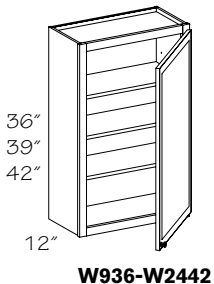
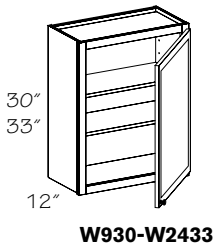
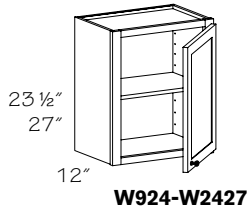
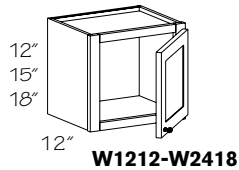
Note: Wall cabinets with standard matching vinyl interior, or Wall cabinets ordered with matching Vinyl interior option will be supplied with Natural Birch exterior material. Wall cabinets with standard matching interior, Wall cabinets ordered with APC, FPEB or APF, or Wall cabinets ordered with MIP, MIFP, MIAPFC will have exterior floors and ceilings that are finished to match.

Caution: Installation of a wall cabinet 30" or wider requires additional support, such as attachment to a soffit, or support from below. Failure to provide additional support could result in collapse of the cabinet, serious personal injury, or property damage. Damage relating to failure to provide additional support is **not** covered by the limited warranty. See inside cover for warranty details

Material dimensions listed may vary slightly from actual dimensions of the product.

Specifications subject to change without notice.

Wall Single Door 12"-42" H



- | | | |
|---------------------------|-------------------------|---------------------------|
| No shelf
12" High | One shelf
27" High | Three shelves
36" High |
| □ W1212 R or L | ▲□ W1527 R or L | *○+ W936 R or L |
| □ W1512 R or L | ▲□ W1827 R or L | W1236 R or L |
| □ W1812 R or L | ▲□ W2427 R or L | W1536 R or L |
| □ W2112 R or L | Two shelves
30" High | W1836 R or L |
| No shelf
15" High | *○+ W930 R or L | W2136 R or L |
| W1215 R or L | W1230 R or L | W2436 R or L |
| W1515 R or L | W1530 R or L | Three shelves
39" High |
| W1815 R or L | W1830 R or L | *○+▲ W939 R or L |
| W2115 R or L | W2130 R or L | ▲ W1239 R or L |
| No shelf
18" High | Two shelves
33" High | ▲ W1539 R or L |
| W1218 R or L | ○+* W933 R or L | ▲ W1839 R or L |
| W1518 R or L | W1233 R or L | ▲ W2139 R or L |
| W1818 R or L | W1533 R or L | ▲ W2439 R or L |
| W2118 R or L | W1833 R or L | Three shelves
42" High |
| W2418 R or L | W1833 R or L | *○+▲ W942 R or L |
| One shelf
23 1/2" High | W2133 R or L | ▲ W1242 R or L |
| ○+* W924 R or L | W2433 R or L | ▲ W1542 R or L |
| W1224 R or L | | ▲ W1842 R or L |
| W1524 R or L | | ▲ W2142 R or L |
| W1824 R or L | | ▲ W2442 R or L |
| W2124 R or L | | |
| W2424 R or L | | |

- Change Height (CH) option **not** available
- Change Width (CW) option **not** available
- + Glass door option **not** available
- * Doors are square except full overlay arched door styles. Thermofoil doors will always be square. Vega doors will have a solid, recessed flat panel
- ▲ Top Wide Rail (TWR) option **not** available

- Specify R or L for single door hinging
- Adjustable shelves
- ☆ Integrated Extended Stile (XSG) only available on cabinets 30" high or higher
- ☆ Operational End (OE) is **not** available with Increased Depth (ID) or Reduced Depth (RD) options



Tip: When mounting a 6" Spice Drawer (SD—) or Organizer (O—)

underneath a 23 1/2" cabinet next to a 30" high wall cabinet, the overall height will be 29 1/2". To correct this, you can place a piece of Stack Molding (STM8) or a 1/2" filler between the 23 1/2" cabinet and the 6" cabinet.

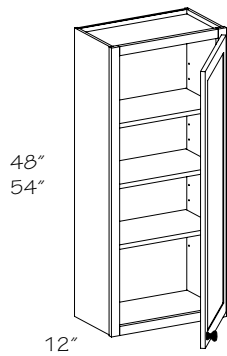


Remember, all 9" wide doors in 1/2" overlay will be square even for a roman door style. If a 9" cabinet is required, one suggestion is to void the door and order the cabinet with matching interior and use it as a decorative open cabinet.



Any wall cabinet over 24" wide or 30" high or higher with a depth greater than 12" and/or with butt doors **must** be installed between two (2) cabinets, a cabinet and a wall or supported from below

- PE
- APC
- APFC
- FPEB
- MI
- DE
- ☆ OE
- AD_E
- ☆ CW
- ☆ RD
- ☆ ID
- ☆ CH
- ☆ TWR
- XS
- ☆ XSG
- ☆ GD



Wall Single Door 48" and 54" H

Three shelves
48" High

- *⊕+ **W948 R or L**
- W1248 R or L**
- W1548 R or L**
- W1848 R or L**
- W2148 R or L**
- W2448 R or L**

Four shelves
54" High

- *⊕+ **W954 R or L**
- W1254 R or L**
- W1554 R or L**
- W1854 R or L**
- W2154 R or L**
- W2454 R or L**

* Doors are square except full overlay arched door styles. Thermofoil doors will always be square. Vega doors will have a solid, recessed flat panel

- Change Width (CW) option **not** available
- + Glass door option **not** available

- Specify R or L for single door hinging
- Adjustable shelves
- Shelves shipped separately
- Available in full overlay door styles only
- ☆ **Not** available with Camed glass door (GD) option
- ☆ **Not** available with Mullion glass doors (GD) option
- ☆ **Not** available with Prepared for Glass (GD) option
- ☆ Modern Frosted (MRT) and Moire (MOI) Glass Inserts **not** available on 54" H cabinets
- ☆ Maximum Increased Depth (ID) is 15"
- ☆ Operational End (OE) is **not** available with Increased Depth (ID) or Reduced Depth (RD) options

●	PE
●	APC
●	APFC
●	FPEB
●	MI
●	DE
☆	OE
●	AD_E
☆	CW
☆	RD
☆	ID
●	CH
	TWR
●	XS
●	XSG
☆	GD



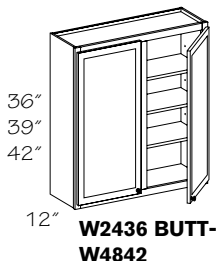
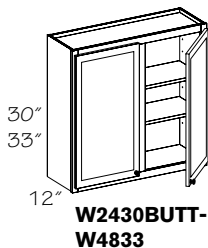
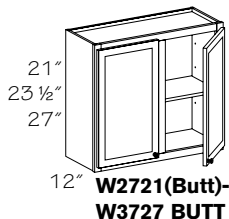
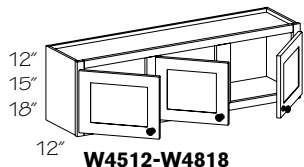
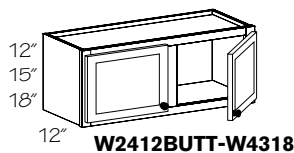
When using 48"–54" high cabinets or tall stacked cabinet combinations, remember to supply the best height

Tall End Panel (TEP) for your design needs. Both 108" and 120" panels can be field cut to height requirements of your design



Any wall cabinet over 24" wide or 30" high or higher with a depth greater than 12" and/or with butt doors **must** be installed between two (2) cabinets, a cabinet and a wall or supported from below

Wall Double Door 12"-42" H



No shelf
12" High

- □ **W2412 BUTT**
- **W2712 (Butt)**
- **W3012**
- **W3012 BUTT**
- **W3312**
- **W3312 BUTT**
- □ **W3412 BUTT**
- **W3612**
- **W3612 BUTT**
- ★ ○ □ **W3712 BUTT**
- ★ □ **W3912**
- ★ □ **W4212**
- ★ ○ □ **W4312**
- ★ ■ **W4512**
- ★ ■ **W4812**

No shelf
15" High

- **W2415 BUTT**
- **W2715 (Butt)**
- **W3015**
- **W3015 BUTT**
- **W3315**
- **W3315 BUTT**
- □ **W3415 BUTT**
- **W3615**
- **W3615 BUTT**
- ★ ○ □ **W3715 BUTT**
- ★ **W3915**
- ★ **W4215**
- ★ ○ □ **W4315**
- ★ ■ **W4515**
- ★ ■ **W4815**

No shelf
18" High

- **W2418 BUTT**
- **W2718 (Butt)**
- **W3018**
- **W3018 BUTT**
- **W3318**
- **W3318 BUTT**
- □ **W3418 BUTT**
- **W3618**
- **W3618 BUTT**
- ★ ○ □ **W3718 BUTT**
- ★ **W3918**
- ★ **W4218**
- ★ ○ □ **W4318**
- ★ ■ **W4518**
- ★ ■ **W4818**

One shelf
21" High

- **W2721 (Butt)**
- **W3021**
- **W3021 BUTT**
- **W3321**
- **W3321 BUTT**
- **W3421 BUTT**
- **W3621**
- **W3621 BUTT**
- ★ ○ □ **W3721 BUTT**
- ★ **W3921**
- ★ **W4221**

- Change Width (CW) option *not* available
- Change Height (CH) option *not* available
- ★ *Not* available in Increased Depth (ID)
- Glass inserts *not* available on ends
- ▲ Top Wide Rail (TWR) option *not* available
- ★ Change Width (CW) option *not* available

One shelf
23 1/2" High

- **W2424 BUTT**
- **W2724 (Butt)**
- **W3024**
- **W3024 BUTT**
- **W3324**
- **W3324 BUTT**
- □ **W3424 BUTT**
- **W3624**
- **W3624 BUTT**
- ★ ○ □ **W3724 BUTT**
- ★ **W3924**
- ★ **W4224**
- ★ **W4524**
- ★ **W4824**

One shelf
27" High

- □ ▲ **W2427 BUTT**
- □ ▲ **W2727 (butt)**
- □ ▲ **W3027**
- □ ▲ **W3027 BUTT**
- □ ▲ **W3327**
- □ ▲ **W3327 BUTT**
- □ ▲ **W3427 BUTT**
- □ ▲ **W3627**
- □ ▲ **W3627 BUTT**
- ★ ○ □ ▲ **W3727 BUTT**

Two Shelves
30" High

- **W2430 BUTT**
- **W2730 (Butt)**
- **W3030**
- **W3030 BUTT**
- **W3330**
- **W3330 BUTT**
- **W3430 BUTT**
- **W3630**
- **W3630 BUTT**
- □ ★ **W3730 BUTT**
- ★ **W3930**
- ★ **W4230**
- ★ **W4530**
- ★ **W4830**

Two Shelves
33" High

- ★ **W2433 BUTT**
- ★ **W2733 (Butt)**
- ★ **W3033**
- ★ **W3033 BUTT**
- ★ **W3333**
- ★ **W3333 BUTT**
- ★ **W3633**
- ★ **W3633 BUTT**
- ★ **W3933**
- ★ **W4233**
- ★ **W4533**
- ★ **W4833**

Three shelves
36" High

- **W2436 BUTT**
- **W2736 (Butt)**
- **W3036**
- **W3036 BUTT**
- **W3336**
- **W3336 BUTT**
- **W3636**
- **W3636 BUTT**
- ★ **W3936**
- ★ **W4236**
- ★ **W4536**
- ★ **W4836**

Three shelves
39" High

- ▲ **W2439 BUTT**
- ▲ **W2739 (Butt)**
- ▲ **W3039**
- ▲ **W3039 BUTT**
- ▲ **W3339**
- ▲ **W3339 BUTT**
- ▲ **W3639**
- ▲ **W3639 BUTT**
- ★ ▲ **W3939**
- ★ ▲ **W4239**
- ★ ▲ **W4539**
- ★ ▲ **W4839**

Three shelves
42" High

- ▲ **W2442 BUTT**
- ▲ **W2742 (Butt)**
- ▲ **W3042**
- ▲ **W3042 BUTT**
- ▲ **W3342**
- ▲ **W3342 BUTT**
- ▲ **W3642**
- ▲ **W3642 BUTT**
- ★ ▲ **W3942**
- ★ ▲ **W4242**
- ★ ▲ **W4542**
- ★ ▲ **W4842**

- Adjustable shelves
- ☆ Integrated Extended Stile (XSG) only available on cabinets 30" high or higher
- ☆ Operational End (OE) is *not* available with Increased Depth (ID) or Reduced Depth (RD) options
- 33"-37" wide wall cabinets with BUTT doors have wood veneer plywood shelves



Remember, a cabinet designated BUTT or (Butt) has no center stile. When you see the word BUTT in all capitals, it *must* be included as part of your ordering nomenclature, a (Butt) in parentheses is for your information and isn't required on an order form

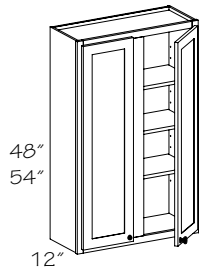


Any wall cabinet over 24" wide or 30" high or higher with a depth greater than 12" and/or with butt doors *must* be installed between two (2) cabinets, a cabinet and a wall or supported from below



Tip: When mounting a 6" Spice Drawer (SD—) or Organizer (O—) underneath a 23 1/2" cabinet next to a 30" high wall cabinet, the overall height will be 29 1/2". To correct this, you can place a piece of Stack Molding (STM8) or a 1/2" filler between the 23 1/2" cabinet and the 6" cabinet.

●	PE
●	APC
●	APFC
●	FPEB
●	MI
●	DE
●	OE
●	AD_E
☆	CW
☆	RD
☆	ID
☆	CH
☆	TWR
●	XS
☆	XSG
☆	GD



Wall Double Door 48" and 54" H

Three shelves
48" High

- ※○ **W2448 BUTT**
- W2748 (Butt)**
- W3048**
- W3048 BUTT**
- W3348**
- W3348 BUTT**
- W3648**
- W3648 BUTT**

Four shelves
54" High

- ※○ **W2454 BUTT**
- W2754 (Butt)**
- W3054**
- W3054 BUTT**
- W3354**
- W3354 BUTT**
- W3654**
- W3654 BUTT**

- ※ Doors are square except full overlay arched door styles. Thermofoil doors will always be square. Vega doors will have a solid, recessed flat panel
- Change Width (CW) option **not** available

- Adjustable shelves
- Shelves shipped separately
- Available in full overlay door styles only
- **Not** available with Mullion Strip Wall (MSW)
- ☆ **Not** available with Camed glass door (GD) option
- ☆ **Not** available with Mullion glass doors (GD) option
- ☆ **Not** available with Prepared for Glass (GD) option
- ☆ Modern Frosted (MRT) and Moire (MOI) Glass Inserts **not** available on 54" H cabinets
- ☆ Maximum Increased Depth (ID) is 15"
- ☆ Operational End (OE) is **not** available with Increased Depth (ID) or Reduced Depth (RD) options



When using 48"-54" high cabinets or tall stacked cabinet combinations, remember to supply the best height

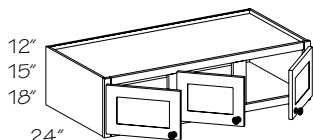
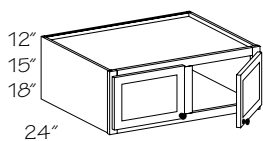
Tall End Panel (TEP) for your design needs. Both 108" and 120" panels can be field cut to height requirements of your design



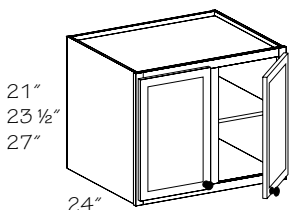
Any wall cabinet over 24" wide or 30" high or higher with a depth greater than 12" and/or with butt doors **must** be installed between two (2) cabinets, a cabinet and a wall or supported from below

●	PE
●	APC
●	APFC
●	FPEB
●	MI
●	DE
☆	OE
●	AD_E
☆	CW
☆	RD
☆	ID
●	CH
	TWR
●	XS
●	XSG
☆	GD

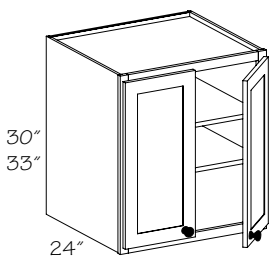
Wall Refrigerator 24" Deep



WR4512-WR4818



**WR3021-
WR3727 BUTT**



**WR2430 BUTT-
WR3633 BUTT**

- | | |
|--|--|
| <p><i>No shelf
12" High</i></p> <ul style="list-style-type: none"> <input type="checkbox"/> <input type="checkbox"/>+ WR2412 BUTT <input type="checkbox"/>+ WR2712 (Butt) <input type="checkbox"/>+ WR3012 <input type="checkbox"/>+ WR3012 BUTT <input type="checkbox"/>+ WR3312 <input type="checkbox"/>+ WR3312 BUTT <input type="checkbox"/> <input type="checkbox"/>+ WR3412 BUTT <input type="checkbox"/>+ WR3612 <input type="checkbox"/>+ WR3612 BUTT <input type="checkbox"/> <input type="checkbox"/>+ WR3712 BUTT <input type="checkbox"/>+ WR3912 <input type="checkbox"/>+ WR4212 <input type="checkbox"/> <input type="checkbox"/>+ WR4312 <input type="checkbox"/>+ WR4512 <input type="checkbox"/>+ WR4812 <p><i>No shelf
15" High</i></p> <ul style="list-style-type: none"> <input type="checkbox"/>+ WR2415 BUTT + WR2715 (Butt) + WR3015 + WR3015 BUTT + WR3315 + WR3315 BUTT <input type="checkbox"/> <input type="checkbox"/>+ WR3415 BUTT + WR3615 + WR3615 BUTT <input type="checkbox"/> <input type="checkbox"/>+ WR3715 BUTT + WR3915 + WR4215 <input type="checkbox"/> <input type="checkbox"/>+ WR4315 + WR4515 + WR4815 <p><i>No shelf
18" High</i></p> <ul style="list-style-type: none"> <input type="checkbox"/> WR2418 BUTT WR2718 (Butt) WR3018 WR3018 BUTT WR3318 WR3318 BUTT <input type="checkbox"/> WR3418 BUTT WR3618 WR3618 BUTT <input type="checkbox"/> WR3718 BUTT WR3918 WR4218 <input type="checkbox"/> WR4318 WR4518 WR4818 <p><i>One shelf
21" High</i></p> <ul style="list-style-type: none"> WR3021 WR3021 BUTT WR3321 WR3321 BUTT <input type="checkbox"/> WR3421 BUTT WR3621 WR3621 BUTT <input type="checkbox"/> WR3721 BUTT WR3921 WR4221 | <p><i>One shelf
23 1/2" High</i></p> <ul style="list-style-type: none"> <input type="checkbox"/> WR2424 BUTT WR2724 (Butt) WR3024 WR3024 BUTT WR3324 WR3324 BUTT <input type="checkbox"/> WR3424 BUTT WR3624 WR3624 BUTT <input type="checkbox"/> WR3724 BUTT WR3924 <p><i>One shelf
27" High</i></p> <ul style="list-style-type: none"> <input type="checkbox"/> <input type="checkbox"/> WR3027 <input type="checkbox"/> <input type="checkbox"/> WR3027 BUTT <input type="checkbox"/> <input type="checkbox"/> WR3327 <input type="checkbox"/> <input type="checkbox"/> WR3327 BUTT <input type="checkbox"/> <input type="checkbox"/> WR3427 BUTT <input type="checkbox"/> <input type="checkbox"/> WR3627 <input type="checkbox"/> <input type="checkbox"/> WR3627 BUTT <input type="checkbox"/> <input type="checkbox"/> WR3727 BUTT <p><i>Two shelves
30" High</i></p> <ul style="list-style-type: none"> <input type="checkbox"/> <input type="checkbox"/> WR2430 BUTT WR2730 (Butt) WR3030 WR3030 BUTT WR3330 WR3330 BUTT <input type="checkbox"/> WR3430 BUTT WR3630 WR3630 BUTT <input type="checkbox"/> WR3730 BUTT <p><i>Two shelves
33" High</i></p> <ul style="list-style-type: none"> <input type="checkbox"/> WR2433 BUTT WR2733 (Butt) WR3033 WR3033 BUTT WR3333 WR3333 BUTT WR3633 WR3633 BUTT |
|--|--|

- Additional support required
- ☆ Integrated Extended Stile (XSG) only available on cabinets 30" high or higher
- ☆ Maximum Increased Depth (ID) for Wall Refrigerator cabinets is 27"
- 33"-37" wide wall cabinets with BUTT doors have wood veneer plywood shelves

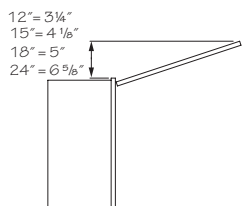
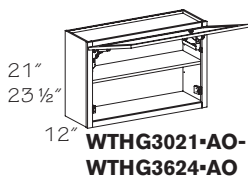
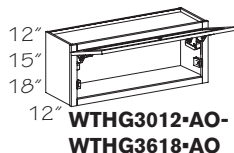
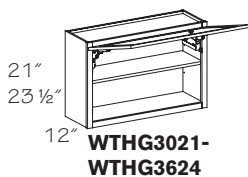


When designing a built-in refrigerator area, remember that many side by side refrigerators measure up to 36" wide. If you have the extra space, it is recommended to use a 37" wide Wall Refrigerator (WR) cabinet to assure clearance for the appliance. Also, verify the height of the appliance to make sure you are using the correct Wall Refrigerator cabinet.

- PE
- APC
- APFC
- FPFB
- MI
- DE
- OE
- ☆ AD_E
- ☆ CW
- RD
- ☆ ID
- ☆ CH
- ☆ TWR
- XS
- ☆ XSG
- GD

- Change Height (CH) option *not* available
- Change Width (CW) option *not* available
- + Attached Decorative Ends (AD_E) option *not* available
- ▲ Top Wide Rail (TWR) option *not* available

Wall Top Hinge Cabinet 12" Deep



No shelf
12" High

WTHG1512
WTHG2412
WTHG3012
WTHG3612

No shelf
15" High

WTHG1515
WTHG2415
WTHG3015
WTHG3615

No shelf
18" High

WTHG1518
WTHG2418
WTHG3018
WTHG3618

One Shelf
21" High

WTHG3021
WTHG3621

One Shelf
23 1/2" High

WTHG1524
WTHG2424
WTHG3024
WTHG3624

With Auto-open Kit, No shelf
12" High

WTHG1512 .AO
WTHG2412 .AO
WTHG3012 .AO
WTHG3612 .AO

With Auto-open Kit, No shelf
15" High

WTHG1515 .AO
WTHG2415 .AO
WTHG3015 .AO
WTHG3615 .AO

With Auto-open Kit, No shelf
18" High

WTHG1518 .AO
WTHG2418 .AO
WTHG3018 .AO
WTHG3618 .AO

With Auto-open Kit, One Shelf
21" High

WTHG3021 .AO
WTHG3621 .AO

With Auto-open Kit, One Shelf
23 1/2" High

WTHG1524 .AO
WTHG2424 .AO
WTHG3024 .AO
WTHG3624 .AO

- Adjustable shelves
- Additional support is required
- Adjustable Soft-Close lift mechanism standard
- With the Auto-open Kit (AO), pressing lower corners of cabinet door triggers auto-open. Pressing a button on activator switch triggers auto-close. Doors can be operated manually if desired. Multiple units can also be synced to open and close simultaneously with the push of one button
- Auto-open Kit (AO) requires 110V power source, preferably above cabinet
- Permaset bumpers are **not** included on doors ordered with the Auto-open Kit (AO)
- 30–36" wide wall cabinets have wood veneer plywood shelves
- ☆ Antiquity Glass Insert (ATQ) **not** available on 36" wide cabinet
- ☆ **Not** available with Crossroads (CRO), Modern Textured (MRT) and Moire (MOI) Glass Inserts
- ☆ Prep for Glass (DRS•PREP) **not** available
- ☆ **Not** available with Mullion glass doors (GD) option
- ☆ **Not** available with Camed glass door (GD) option
- Installation instructions supplied with Auto-open Kit (AO); read thoroughly
- **Note:** Auto-open Kit (AO) requires field installation
- **Note:** Square doors will be supplied when ordered in arched door styles
- **Note:** Wall Top Hinge (WTHG) and Wall Refrigerator Top Hinge (WRTHG) cabinets **cannot** be installed directly against the ceiling. Refer to the clearance diagram in this section



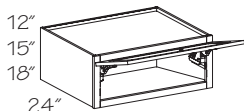
Tip: When mounting a 6" Spice Drawer (SD—) or Organizer (O—) underneath a 23 1/2" cabinet next to a 30" high wall cabinet, the overall height will be 29 1/2". To correct this, you can place a piece of Stack Molding (STM8) or a 1/2" filler between the 23 1/2" cabinet and the 6" cabinet.



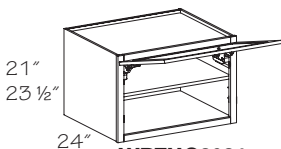
Any wall cabinet over 24" wide or 30" high or higher with a depth greater than 12" and/or with butt doors **must** be installed between two (2) cabinets, a cabinet and a wall or supported from below

●	PE
●	APC
●	APFC
●	FPEB
●	MI
●	DE
●	OE
●	AD_E
●	CW
●	RD
●	ID
●	CH
●	TWR
●	XS
●	XSG
☆	GD

Wall Refrigerator Top Hinge 24" Deep

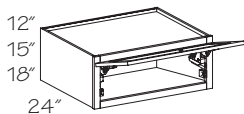


No shelf
12" High
+ **WRTHG3012**
+ **WRTHG3612**



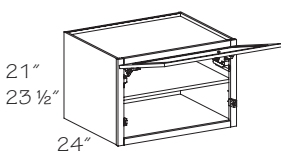
**WRTHG3021-
WRTHG3624**

No shelf
15" High
+ **WRTHG3015**
+ **WRTHG3615**



**WRTHG3012-AO-
WRTHG3618-AO**

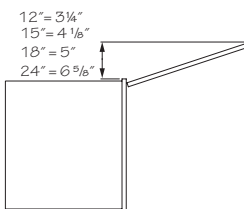
No shelf
18" High
WRTHG3018
WRTHG3618



**WRTHG3021-AO-
WRTHG3624-AO**

One Shelf
21" High
WRTHG3021
WRTHG3621

One Shelf
23 1/2" High
WRTHG3024
WRTHG3624



With Auto-open Kit, No shelf
12" High
+ **WRTHG3012 .AO**
+ **WRTHG3612 .AO**

With Auto-open Kit, No shelf
15" High
+ **WRTHG3015 .AO**
+ **WRTHG3615 .AO**

With Auto-open Kit, No shelf
18" High
+ **WRTHG3018 .AO**
+ **WRTHG3618 .AO**

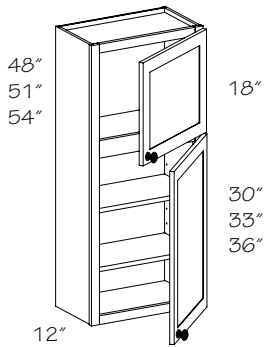
With Auto-open Kit, One Shelf
21" High
WRTHG3021 .AO
WRTHG3621 .AO

With Auto-open Kit, One Shelf
23 1/2" High
WRTHG3024 .AO
WRTHG3624 .AO

+ Attached Decorative Ends (AD_E) option **not** available

- Adjustable shelves
- Additional support is required
- With the Auto-open Kit (AO), pressing lower corners of cabinet door triggers auto-open. Pressing a button on activator switch triggers auto-close. Doors can be operated manually if desired. Multiple units can also be synced to open and close simultaneously with the push of one button
- Auto-open Kit (AO) requires 110V power source, preferably above cabinet
- 30–36" wide wall cabinets have wood veneer plywood shelves
- Permaset bumpers are **not** included on doors ordered with the Auto-open Kit (AO)
- ☆ Antiquity Glass Insert (ATQ) **not** available on 36" wide cabinet
- ☆ Prep for Glass (DRS•PREP) **not** available
- ☆ **Not** available with Crossroads (CRO), Modern Textured (MRT) and Moire (MOI) Glass Inserts
- ☆ **Not** available with Mullion glass doors (GD) option
- ☆ **Not** available with Camed glass door (GD) option
- ☆ Minimum Reduced Depth (RD) is 12"
- Installation instructions supplied with Auto-open Kit (AO); read thoroughly
- Maximum Increased Depth (ID) for Wall Refrigerator cabinets is 27"
- **Note:** Auto-open Kit (AO) requires field installation
- **Note:** Square doors will be supplied when ordered in arched door styles
- **Note:** Wall Top Hinge (WTHG) and Wall Refrigerator Top Hinge (WRTHG) cabinets **cannot** be installed directly against the ceiling. Refer to the clearance diagram in this section

●	PE
●	APC
●	APFC
●	FPEB
●	MI
●	DE
☆	AD_E
	CW
☆	RD
●	ID
	CH
	TWR
●	XS
	XSG
☆	GD



Wall Stack Cabinet 48", 51" and 54" H

Two shelves
48" High

- *O+ **WST948 R or L**
- WST1248 R or L**
- WST1548 R or L**
- WST1848 R or L**
- WST2148 R or L**
- WST2448 R or L**
- O **WST2448 BUTT**
- WST2748 (Butt)**
- WST3048**
- WST3048 BUTT**
- WST3348**
- WST3348 BUTT**
- WST3648**
- WST3648 BUTT**

Two shelves
51" High

- *O+ **WST951 R or L**
- WST1251 R or L**
- WST1551 R or L**
- WST1851 R or L**
- WST2151 R or L**
- WST2451 R or L**
- O **WST2451 BUTT**
- WST2751 (Butt)**
- WST3051**
- WST3051 BUTT**
- WST3351**
- WST3351 BUTT**
- WST3651**
- WST3651 BUTT**

Three shelves
54" High

- *O+ **WST954 R or L**
- WST1254 R or L**
- WST1554 R or L**
- WST1854 R or L**
- WST2154 R or L**
- WST2454 R or L**
- O **WST2454 BUTT**
- WST2754 (Butt)**
- WST3054**
- WST3054 BUTT**
- WST3354**
- WST3354 BUTT**
- WST3654**
- WST3654 BUTT**

- * Doors are square except full overlay arched door styles. Thermofoil doors will always be square. Vega doors will have a solid, recessed flat panel
- O Change Width (CW) option **not** available
- + Glass door option **not** available

- Specify R or L for single door hinging
- Two vertical compartments with fixed rail and floor
- Bottom shelves are adjustable
- Shelves shipped separately
- Bottom door is always square
- **Not** available with Mullion Strip Wall (MSW)
- ☆ Integrated Decorative End (DE) option is available in full overlay door styles only
- ☆ Glass on top and bottom - select glass designs only
- ☆ Maximum Increased Depth (ID) is 15"
- ☆ Operational End (OE) is **not** available with Increased Depth (ID) or Reduced Depth (RD) options



When using 48"-54" high cabinets or tall stacked cabinet combinations, remember to supply the best height Tall End Panel (TEP) for your design needs. Both 108" and 120" panels can be field cut to height requirements of your design



Any wall cabinet over 24" wide or 30" high or higher with a depth greater than 12" and/or with butt doors **must** be installed between two (2) cabinets, a cabinet and a wall or supported from below

●	PE
●	APC
●	APFC
●	FPEB
●	MI
☆	DE
☆	OE
●	AD_E
☆	CW
☆	RD
☆	ID
	CH
	TWR
●	XS
●	XSG
☆	GD

Peninsula Wall Cabinets

Construction Options and Modifications

PE	Plywood Ends
APC	All Plywood Construction
APFC	All Plywood Furniture Construction
FPEB	Furniture Plywood Ends
MI	Matching Interior
DE	Integrated Decorative End
AD_E	Attached Decorative End
CW	Change Width
RD	Reduced Depth
ID	Increased Depth
CH	Change Height
TWR	Top Wide Rail
XS	Extended Stile
XSG	Integrated Extended Stile
GD	Glass Doors

PW	33	30
code	width	height

- ❖ Included as standard
- Available with an upcharge
- ☆ Available with exceptions
- (Blank) **Not** available

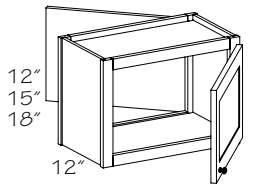
When BUTT is in all capitals, it **must** be included as part of your ordering nomenclature. A (Butt) in parentheses is for your information and isn't required on an order form.

Material dimensions listed may vary slightly from actual dimensions of the product.

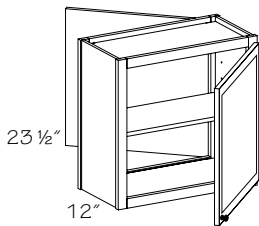
Specifications subject to change without notice.

Note: Peninsula wall cabinets **must** be installed against soffit, ceiling or supported by countertop.

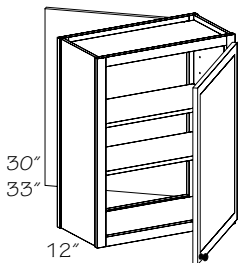
Peninsula Wall Single Door



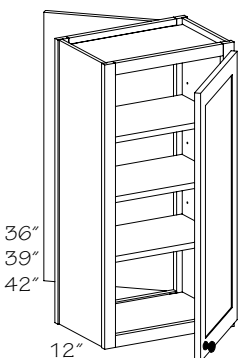
PW1212-PW2118



PW1224-PW2424



PW930-PW2433



PW936-PW2442

No Shelf
12" High

- PW1212 R or L ※○+
- PW1512 R or L
- PW1812 R or L
- PW2112 R or L

No Shelf
15" High

- PW1215 R or L
- PW1515 R or L

- PW1815 R or L ※○+
- PW2115 R or L

No Shelf
18" High

- PW1218 R or L
- PW1518 R or L
- PW1818 R or L
- PW2118 R or L

One Shelf
23 1/2" High

- ※○+ PW1224 R or L
- PW1524 R or L
- PW1824 R or L
- PW2124 R or L
- PW2424 R or L

Two shelves
30" High

- ※○+ PW930 R or L
- PW1230 R or L
- PW1530 R or L
- PW1830 R or L
- PW2130 R or L
- PW2430 R or L

Two shelves
33" High

- PW933 R or L
- PW1233 R or L
- PW1533 R or L
- PW1833 R or L
- PW2133 R or L
- PW2433 R or L

Three shelves
36" High

- ※○+ PW936 R or L
- PW1236 R or L
- PW1536 R or L
- PW1836 R or L
- PW2136 R or L
- PW2436 R or L

Three shelves
39" High

- ※○+ PW939 R or L
- PW1239 R or L
- PW1539 R or L
- PW1839 R or L
- PW2139 R or L
- PW2439 R or L

Three shelves
42" High

- ※○+ PW942 R or L
- PW1242 R or L
- PW1542 R or L
- PW1842 R or L
- PW2142 R or L
- PW2442 R or L

- Specify R or L for door hinging on kitchen side
- Right shown
- Adjustable shelves
- Frame backs are **not** finished



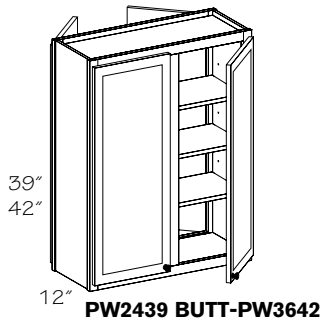
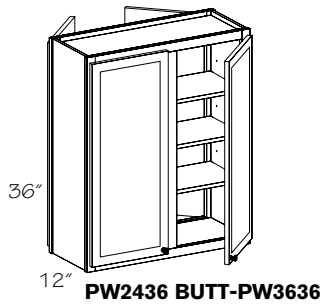
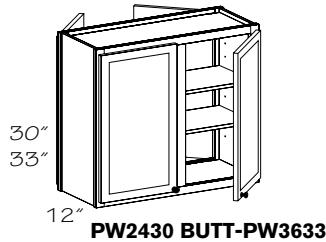
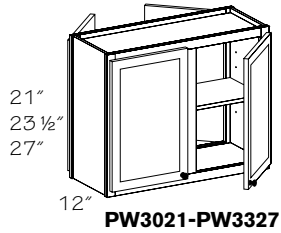
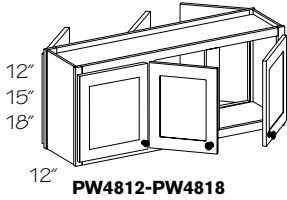
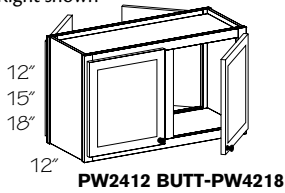
Any wall cabinet over 24" wide or 30" high or higher with a depth greater than 12" and/or with butt doors **must** be installed between two (2) cabinets, a cabinet and a wall or supported from below

- PE
- APC
- APFC
- FPEB
- MI
- DE
- AD_E
- CW
- RD
- ID
- ☆ CH
- TWR
- XS
- XSG
- ☆ GD

- Change Height (CH) option **not** available
- ※ Doors are square except full overlay arched door styles. Thermofoil doors will always be square. Vega doors will have a solid, recessed flat panel
- Change Width (CW) option **not** available
- + Glass door option **not** available

Peninsula Wall Double Door

Right shown



- | | |
|---|---|
| <p><i>No shelf
12" High</i></p> <ul style="list-style-type: none"> <input type="checkbox"/> PW2412 BUTT <input type="checkbox"/> PW2712 (Butt) <input type="checkbox"/> PW3012 <input type="checkbox"/> PW3312 <input type="checkbox"/> PW3612 <input checked="" type="checkbox"/> PW3912 <input checked="" type="checkbox"/> PW4812 <p><i>No shelf
15" High</i></p> <ul style="list-style-type: none"> <input type="checkbox"/> PW2415 BUTT <input type="checkbox"/> PW2715 (Butt) <input type="checkbox"/> PW3015 <input type="checkbox"/> PW3315 <input type="checkbox"/> PW3615 <input checked="" type="checkbox"/> PW3915 <input checked="" type="checkbox"/> PW4815 <p><i>No shelf
18" High</i></p> <ul style="list-style-type: none"> <input type="checkbox"/> PW2418 BUTT <input type="checkbox"/> PW2718 (Butt) <input type="checkbox"/> PW3018 <input type="checkbox"/> PW3318 <input type="checkbox"/> PW3618 <input checked="" type="checkbox"/> PW3918 <input checked="" type="checkbox"/> PW4218 <input checked="" type="checkbox"/> PW4818 <p><i>One shelf
21" High</i></p> <ul style="list-style-type: none"> <input type="checkbox"/> PW3021 <input type="checkbox"/> PW3321 <input type="checkbox"/> PW3621 <p><i>One shelf
23 1/2" High</i></p> <ul style="list-style-type: none"> <input type="checkbox"/> PW2424 BUTT <input type="checkbox"/> PW2724 (Butt) <input type="checkbox"/> PW3024 <input type="checkbox"/> PW3324 <input type="checkbox"/> PW3624 <input checked="" type="checkbox"/> PW3924 <input checked="" type="checkbox"/> PW4224 <input checked="" type="checkbox"/> PW4524 <input checked="" type="checkbox"/> PW4824 <p><i>One shelf
27" High</i></p> <ul style="list-style-type: none"> <input type="checkbox"/> PW3027 <input type="checkbox"/> PW3327 <input type="checkbox"/> PW3627 | <p><i>Two shelves
30" High</i></p> <ul style="list-style-type: none"> <input type="checkbox"/> PW2430 BUTT <input type="checkbox"/> PW2730 (Butt) <input type="checkbox"/> PW3030 <input type="checkbox"/> PW3330 <input type="checkbox"/> PW3630 <input checked="" type="checkbox"/> PW3930 <input checked="" type="checkbox"/> PW4230 <input checked="" type="checkbox"/> PW4530 <input checked="" type="checkbox"/> PW4830 <p><i>Two shelves
33" High</i></p> <ul style="list-style-type: none"> <input type="checkbox"/> PW2433 BUTT <input type="checkbox"/> PW2733 (Butt) <input type="checkbox"/> PW3033 <input type="checkbox"/> PW3333 <input type="checkbox"/> PW3633 <p><i>Three shelves
36" High</i></p> <ul style="list-style-type: none"> <input checked="" type="checkbox"/> PW2436 BUTT <input checked="" type="checkbox"/> PW2736 (Butt) <input checked="" type="checkbox"/> PW3036 <input checked="" type="checkbox"/> PW3336 <input checked="" type="checkbox"/> PW3636 <p><i>Three shelves
39" High</i></p> <ul style="list-style-type: none"> <input checked="" type="checkbox"/> PW2439 BUTT <input checked="" type="checkbox"/> PW2739 (Butt) <input checked="" type="checkbox"/> PW3039 <input checked="" type="checkbox"/> PW3339 <input checked="" type="checkbox"/> PW3639 <p><i>Three shelves
42" High</i></p> <ul style="list-style-type: none"> <input type="checkbox"/> PW2442 BUTT <input type="checkbox"/> PW2742 (Butt) <input type="checkbox"/> PW3042 <input type="checkbox"/> PW3342 <input type="checkbox"/> PW3642 |
|---|---|

- Adjustable shelves
- Frame backs are **not** finished
- ☆ Glass inserts **not** available on ends



Any wall cabinet over 24" wide or 30" high or higher with a depth greater than 12" and/or with butt doors **must** be installed between two (2) cabinets, a cabinet and a wall or supported from below

●	PE
●	APC
●	APFC
●	FPEB
●	MI
●	DE
●	AD_E
☆	CW
●	RD
☆	ID
☆	CH
	TWR
●	XS
	XSG
☆	GD

- Change Width (CW) option **not** available
- Change Height (CH) option **not** available
- ★ **Not** available in Increased Depth (ID)
- ✦ Glass door option **not** available
- ☆ Change Width (CW) option **not** available

Wall Corner Cabinets

Construction Options and Modifications

PWBC	27	24
code	width	height

Material dimensions listed may vary slightly from actual dimensions of the product.

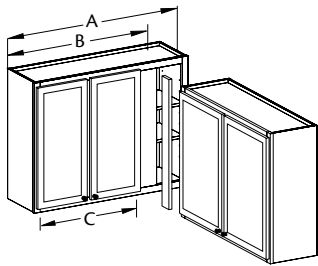
Specifications subject to change without notice.

- ❖ Included as standard
- Available with an upcharge
- ☆ Available with exceptions
- (Blank) **Not** available

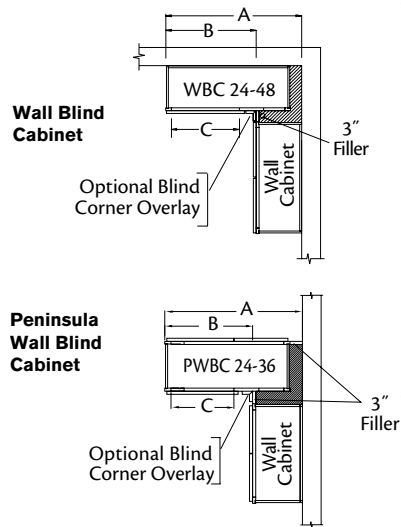
- PE Plywood Ends
- APC All Plywood Construction
- APFC All Plywood Furniture Construction
- FPEB Furniture Plywood Ends
- MI Matching Interior
- DE Integrated Decorative End
- OE Operational End
- AD_E Attached Decorative End
- CW Change Width
- RD Reduced Depth
- ID Increased Depth
- CH Change Height
- TWR Top Wide Rail
- XS Extended Stile
- XSG Integrated Extended Stile
- GD Glass Doors

Wall Blind Corner Cabinet Information

Right blind shown
R or L indicates blind

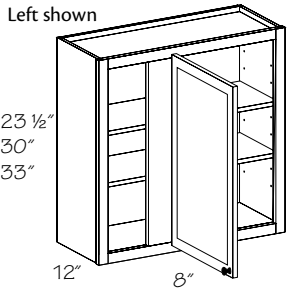


- All WBC24 and PWBC24 doors are square except full overlay arch door styles. Winterport Arch door styles are always square; Vega doors will have a solid, recessed flat panel
- All Wall Blind Corner cabinets **must** be pulled. Consult chart for pull dimensions and minimum wall space requirements
- Specify R or L; R or L indicates blind
- Door hinged on same side as blind on single door cabinets
- **Note:** A 3" Wall Filler (WF) is supplied and shipped separately with each Wall Blind Cabinet (WBC) ordered. A Wall Cabinet adjacent to WBC may be ordered with an extended stile in lieu of installing the supplied filler. Two 3" Wall Fillers are supplied with each Peninsula Wall Blind Corner (PWBC) ordered. Overlay Panel for Wall Blind Corner Cabinets (OPWBC) is recommended for full overlay door styles; see Wall Accessories section

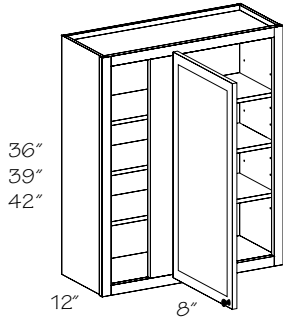


Cabinet	1/2" Overlay					Full Overlay						
	Wall Space "A"		Exposed Front "B"		Door Open "C"	Cab. Width	Wall Space "A"		Exposed Front "B"		Door Open "C"	Cab. Width
	Min	Max	Min	Max			Min	Max	Min	Max		
P/WBC24	21 1/4"	24 3/4"	9 1/4"	12 3/4"	6"	21"	22"	24 3/4"	10"	12 3/4"	6"	21"
P/WBC27	24 1/4"	27 3/4"	12 1/4"	15 3/4"	9"	24"	25"	27 3/4"	13"	16 3/4"	9"	24"
P/WBC30	27 1/4"	30 3/4"	15 1/4"	18 3/4"	12"	27"	28"	30 3/4"	16"	19 3/4"	12"	27"
P/WBC33	30 1/4"	33 3/4"	18 1/4"	21 3/4"	15"	30"	31"	33 3/4"	19"	21 3/4"	15"	30"
P/WBC36	33 1/4"	36 3/4"	21 1/4"	24 3/4"	18"	33"	34"	36 3/4"	22"	24 3/4"	18"	33"
WBC39	36 1/4"	39 3/4"	24 1/4"	27 3/4"	21"	36"	37"	39 3/4"	25"	27 3/4"	21"	36"
WBC42	39 1/4"	42 3/4"	27 1/4"	30 3/4"	24"	39"	40"	42 3/4"	28"	30 3/4"	24"	39"
WBC45	42 1/4"	45 3/4"	30 1/4"	33 3/4"	(2) 12"	42"	43"	45 3/4"	31"	33 3/4"	(2) 12"	42"
WBC48	45 1/4"	48 3/4"	33 1/4"	36 3/4"	(2) 13 1/2"	45"	46"	48 3/4"	34"	36 3/4"	(2) 13 1/2"	45"

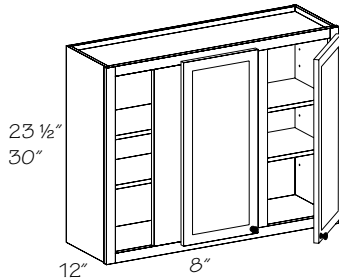
Wall Blind Corner 23 1/2"—42" H



WBC2724-WBC3933



WBC2436-WBC3942



WBC4224-WBC4830

Single Door
One shelf
23 1/2" High

- WBC2724 R or L
- WBC3024 R or L
- WBC3324 R or L
- WBC3624 R or L
- WBC3924 R or L

Single Door
Two shelves
30" High

※+ WBC2430 R or L

- WBC2730 R or L
- WBC3030 R or L
- WBC3330 R or L
- WBC3630 R or L
- WBC3930 R or L

Single Door
Two shelves
33" High

※+ WBC2433 R or L

- WBC2733 R or L
- WBC3033 R or L
- WBC3333 R or L
- WBC3633 R or L
- WBC3933 R or L

Single Door
Three shelves
36" High

※+ WBC2436 R or L

- WBC2736 R or L
- WBC3036 R or L
- WBC3336 R or L
- WBC3636 R or L

Single Door
Three shelves
39" High

- ※+ WBC2439 R or L
- ◆ WBC2739 R or L
- ◆ WBC3039 R or L
- ◆ WBC3339 R or L
- ◆ WBC3639 R or L
- ◆ WBC3939 R or L

Single Door
Three shelves
42" High

- ※+ WBC2442 R or L
- ◆ WBC2742 R or L
- ◆ WBC3042 R or L
- ◆ WBC3342 R or L
- ◆ WBC3642 R or L
- ◆ WBC3942 R or L

Double Door
One shelf
23 1/2" High

- ★▲ WBC4224 R or L
- ★ WBC4524 R or L
- ★ WBC4824 R or L

Double Door
Two shelves
30" High

- ★▲ WBC4230 R or L
- ★ WBC4530 R or L
- ★ WBC4830 R or L

- Specify R or L; R or L indicates blind
- Adjustable shelves
- Overlay Panel for Wall Blind Corner Cabinet (OPWBC) is recommended for full overlay door styles and **must** be ordered separately; see Base Accessories Section



Remember to order Flush Finished Blind (FFB) on a Wall Blind Corner (WBC) if the adjacent cabinet is shorter than the WBC.

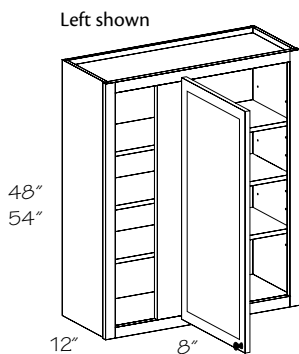


Any wall cabinet over 24" wide or 30" high or higher with a depth greater than 12" and/or with butt doors **must** be installed between two (2) cabinets, a cabinet and a wall or supported from below

- PE
- APC
- APFC
- FPEB
- MI
- DE
- OE
- AD_E
- CW
- RD
- ☆ ID
- CH
- ☆ TWR
- XS
- XSG
- ☆ GD

- ※ Doors are square except full overlay arched door styles. Thermofoil doors will always be square. Vega doors will have a solid, recessed flat panel
- + Glass door option **not** available
- ◆ Top Wide Rail (TWR) option **not** available
- ★ **Not** available in Increased Depth (ID)
- ▲ Two butt doors

Wall Blind Corner 48" and 54" H



Three shelves
48" High

- ※+ WBC2448 R or L
- WBC2748 R or L
- WBC3048 R or L
- WBC3348 R or L
- WBC3648 R or L
- ★ WBC3948 R or L

Four shelves
54" High

- ※+ WBC2454 R or L
- WBC2754 R or L
- WBC3054 R or L
- WBC3354 R or L
- WBC3654 R or L
- ★ WBC3954 R or L

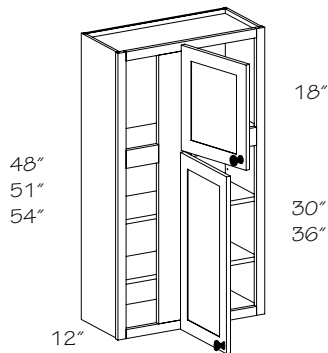
- ※ Doors are square except full overlay arched door styles. Thermofoil doors will always be square. Vega doors will have a solid, recessed flat panel

- + Glass door option **not** available
- ★ **Not** available in Increased Depth (ID)

- Specify R or L; R or L indicates blind
- Adjustable shelves
- Shelves shipped separately
- Available in full overlay door styles only
- Overlay Panel for Wall Blind Corner Cabinet (OPWBC) is recommended for full overlay door styles and **must** be ordered separately; see Base Accessories Section
- ☆ Maximum Increased Depth (ID) is 15"
- ☆ **Not** available with Camed glass door (GD) option
- ☆ **Not** available with Mullion glass doors (GD) option
- ☆ Modern Frosted (MRT) and Moire (MOI) Glass Inserts **not** available on 54" H cabinets

- PE
- APC
- APFC
- FPEB
- MI
- DE
- OE
- AD_E
- CW
- RD
- ☆ ID
- CH
- TWR
- XS
- XSG
- ☆ GD

Wall Blind Corner Stack



Two shelves
48" High

- *+ **WBCST2448 R or L**
- WBCST2748 R or L**
- WBCST3048 R or L**
- WBCST3348 R or L**
- WBCST3648 R or L**
- * **WBCST3948 R or L**

Two shelves
51" High

- *+ **WBCST2451 R or L**
- WBCST2751 R or L**
- WBCST3051 R or L**
- WBCST3351 R or L**
- WBCST3651 R or L**
- * **WBCST3951 R or L**

Three shelves
54" High

- *+ **WBCST2454 R or L**
- WBCST2754 R or L**
- WBCST3054 R or L**
- WBCST3354 R or L**
- WBCST3654 R or L**
- * **WBCST3954 R or L**

* Doors are square except full overlay arched door styles. Thermofoil doors will always be square. Vega doors will have a solid, recessed flat panel

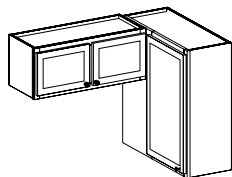
+ Glass door option **not** available

* **Not** available in Increased Depth (ID)

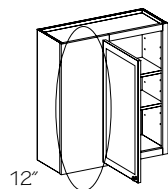
- Specify R or L; R or L indicates blind
- Two vertical compartments with fixed rail and floor
- Bottom shelves are adjustable
- Shelves shipped separately
- Bottom door is always square
- Overlay Panel for Wall Blind Corner Cabinet (OPWBC) is recommended for full overlay door styles and **must** be ordered separately; see Base Accessories Section
- ☆ Maximum Increased Depth (ID) is 15"
- ☆ Glass on top and bottom - select glass designs only

●	PE
●	APC
●	APFC
●	FPEB
●	MI
●	DE
●	OE
●	AD_E
●	CW
●	RD
☆	ID
●	CH
●	TWR
●	XS
●	XSG
☆	GD

Flush Finished Blind



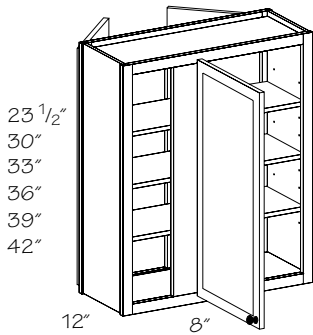
FFB



- Wall Blind Corner Cabinets (WBC) are available with Flush Finished Blind. Specify FFB
- Flush finished panel is solid wood
- Order Example: WBC 2430L-FFB

●	PE
●	APC
●	APFC
●	FPEB
●	MI
●	DE
●	OE
●	AD_E
●	CW
●	RD
●	ID
●	CH
●	TWR
●	XS
●	XSG
●	GD

Peninsula Wall Blind Corner



- One shelf
23 1/2" High
- * PWBC2724 R or L
- * PWBC3024 R or L
- PWBC3324 R or L
- PWBC3624 R or L
- Two shelves
30" High
- *▲+ PWBC2430 R or L
- * PWBC2730 R or L
- * PWBC3030 R or L
- PWBC3330 R or L
- PWBC3630 R or L
- Two shelves
33" High
- *▲+ PWBC2433 R or L
- * PWBC3033 R or L
- PWBC3633 R or L
- Three shelves
36" High
- *▲+ PWBC2436 R or L
- * PWBC3036 R or L
- PWBC3636 R or L
- Three shelves
39" High
- *▲+ PWBC2439 R or L
- PWBC3039 R or L
- PWBC3639 R or L
- Three shelves
42" High
- *▲+ PWBC2442 R or L
- * PWBC3042 R or L
- PWBC3642 R or L

- * Butt doors on peninsula side
- * Single door both sides
- ▲ Kitchen side door is square except full overlay arch door styles. Thermofoil door styles are always square. Vega doors will have a solid, recessed flat panel
- + Glass door option *not* available

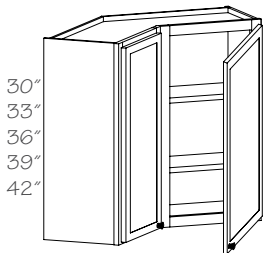
- Specify R or L; R or L indicates blind
- Left shown
- Adjustable shelves
- Frame backs are *not* finished
- See Wall Blind Corner (WBC) cabinet chart for cabinet specifications
- **Note:** Two 3" fillers included. Overlay Panel for Wall Blind Corner Cabinets (OPWBC) **must** be ordered separately; see Wall Accessories section



We recommend using Under Cabinet Panels (UCP) on all wall cabinet runs. This will give the kitchen an elegant finished look. Unless ordered with a matching wood veneer interior option, the under side of wall cabinets are a natural birch material.

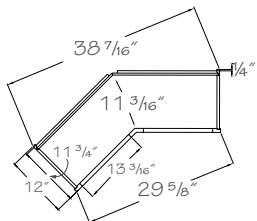
●	PE
●	APC
●	APFC
●	FPEB
●	MI
	DE
	OE
●	AD_E
	CW
●	RD
●	ID
●	CH
	TWR
●	XS
	XSG
☆	GD

135° Wall Inside Angle Corner Cabinet



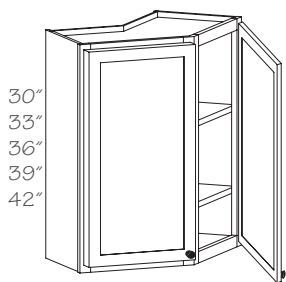
- Two shelves
- WIAC2130
- WIAC2133
- Three shelves
- WIAC2136
- WIAC2139
- WIAC2142

- Adjustable shelves
- Backs of cabinets are slightly recessed to allow for wall imperfections
- Shimming is required
- **Must** allow 21" of wall space



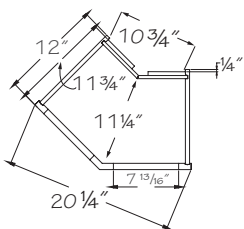
●	PE
●	APC
●	APFC
●	FPEB
●	MI
	DE
	OE
	AD_E
	CW
	RD
	ID
●	CH
●	TWR
●	XS
	XSG
●	GD

135° Wall Outside Angle Corner Cabinet



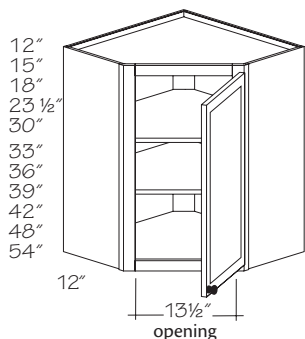
Two shelves
WOAC630
WOAC633
 Three shelves
WOAC636
WOAC639
WOAC642

- Adjustable shelves
- Backs of cabinets are slightly recessed to allow for wall imperfections
- Shimming is required
- **Must** allow 6" of wall space



●	PE
●	APC
●	APFC
●	FPEB
●	MI
	DE
	OE
	AD_E
	CW
	RD
	ID
●	CH
●	TWR
●	XS
	XSG
	GD

Wall Angle 12" Deep



12"
 15"
 18"
 23 1/2"
 30"
 33"
 36"
 39"
 42"
 48"
 54"

12"
 13 1/2" opening

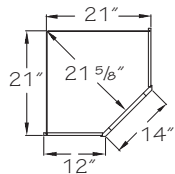
No Shelf
 21" Wide
 WA2112 R or L
 ★ **WA2115 R or L**
 ★ **WA2118 R or L**
 ※ **WA2124 R or L**
 Two Shelves
 21" Wide
 ★ **WA2130 R or L**
 ★ **WA2133 R or L**
 Three Shelves
 21" Wide
 ★ **WA2136 R or L**
 ★ **WA2139 R or L**
 ★ **WA2142 R or L**
 ▲★ **WA2148 R or L**
 Four Shelves
 21" Wide
 ▲★ **WA2154 R or L**

One shelf
 24" Wide
 ※ **WA2424 R or L**
 Two shelves
 24" Wide
WA2430 R or L
WA2433 R or L
 Three shelves
 24" Wide
WA2436 R or L
WA2439 R or L
WA2442 R or L
 ▲★ **WA2448 R or L**
 Four shelves
 24" Wide
 ▲★ **WA2454 R or L**

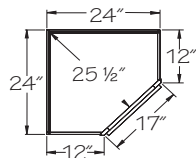
- Specify R or L for single door hinging
- Adjustable shelves
- ☆ Wall Top Wide Rail (WTWR) available on 12"-36" high cabinets only
- ☆ Modern Frosted (MRT) and Moire (MOI) Glass Inserts **not** available on 54" H cabinets
- **Note:** Full overlay door styles use a 1/2" overlay hinge



Do **not** design a corner cabinet adjacent to an object deeper than the end panel. The door of the corner cabinet may **not** function properly.



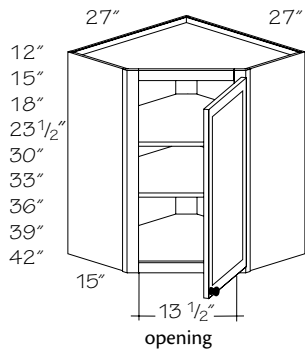
WA21_



WA24_

Change Height (CH) option **not** available
 ※ Shelf is factory installed and **not** removable
 ▲ Available in full overlay door styles only
 ★ **Not** available with Mullion glass doors (GD) option

●	PE
●	APC
●	APFC
●	FPEB
●	MI
	DE
	OE
	AD_E
	CW
	RD
	ID
☆	CH
☆	TWR
	XS
	XSG
☆	GD



Wall Angle 15" Deep

No shelf

- **WA2712 R or L**
- **WA2715 R or L**
- **WA2718 R or L**

One shelf

- * **WA2724 R or L**

Two shelves

- **WA2730 R or L**
- **WA2733 R or L**

Three shelves

- **WA2736 R or L**
- **WA2739 R or L**
- **WA2742 R or L**

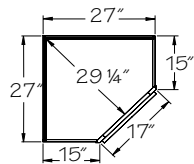
- Change Height (CH) option *not* available
- * Shelf is factory installed and *not* removable

- Specify R or L for single door hinging
- Adjustable shelves
- Furniture Plywood Ends (FPEB) standard; recommended Matching Interior option is MIFP
- Flush Finished Ends standard
- ☆ APFC standard when APC option is selected
- **Note:** Full overlay door styles use a 1/2" overlay hinge

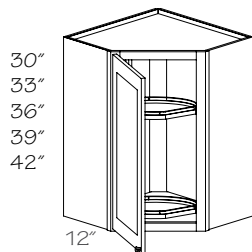


Full overlay doors on cabinets with an angled front are intentionally narrower to allow proper clearance of adjacent cabinets.

PE
● APC
☆ APFC
❖ FPEB
● MI
● DE
● OE
● AD_E
CW
RD
ID
☆ CH
● TWR
XS
XSG
● GD



Wall Angle Chrome Lazy Susan



Two shelves

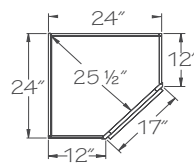
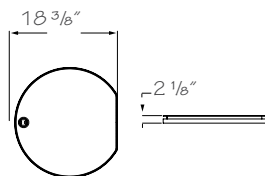
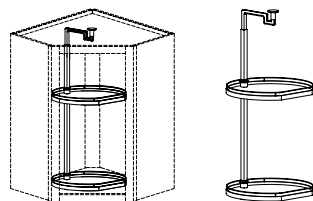
- **WA2430 R or L.CLS**
- **WA2433 R or L.CLS**

Three shelves

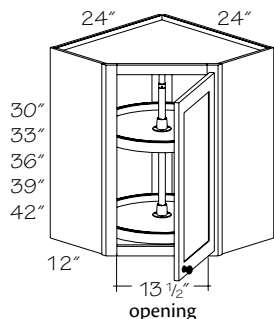
- **WA2436 R or L.CLS**
- **WA2439 R or L.CLS**
- **WA2442 R or L.CLS**

- Specify R or L for single door hinging
- 19 1/2" diameter rotating shelves
- Maximum weight per shelf is 18 lbs.
- Shelves rotate together
- **Note:** Full overlay door styles use a 1/2" overlay hinge

● PE
● APC
● APFC
● FPEB
● MI
● DE
● OE
☆ AD_E
CW
RD
ID
CH
TWR
XS
XSG
● GD



Wall Angle Wood Lazy Susan



Two shelves

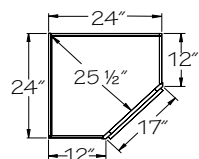
- **WA2430 R or L.WLS**
- **WA2433 R or L.WLS**

Three shelves

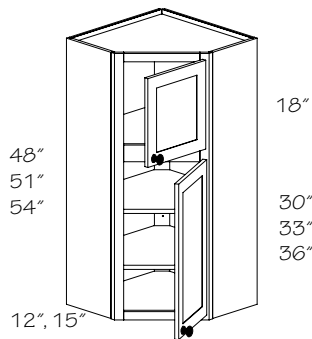
- **WA2436 R or L.WLS**
- **WA2439 R or L.WLS**
- **WA2442 R or L.WLS**

- Specify R or L for single door hinging
- 19 1/2" diameter rotating shelves
- Rotating shelves have plywood floor and solid wood trim
- **Note:** Full overlay door styles use a 1/2" overlay hinge

● PE
● APC
● APFC
● FPEB
● MI
● DE
● OE
● AD_E
CW
RD
ID
CH
TWR
XS
XSG
● GD



Wall Angle Stack



Two shelves
48" High

WAST2448 R or L

★ **WAST2748 R or L**

Two shelves
51" High

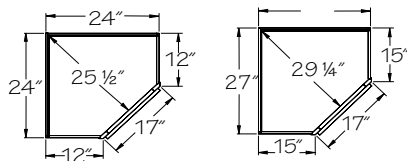
WAST2451 R or L

★ **WAST2751 R or L**

Three shelves
54" High

WAST2454 R or L

★ **WAST2754 R or L**



WA24

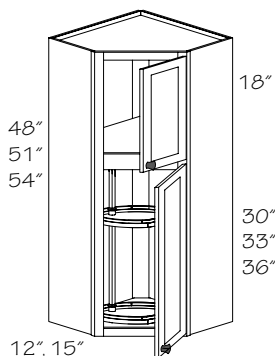
WA27

★ Furniture Plywood Ends (FPEB) standard; recommended Matching Interior option is MIFP

- Specify R or L for single door hinging
- Two vertical compartments with fixed rail and floor
- Bottom shelves are adjustable
- Shelves shipped separately
- Bottom door is always square
- ☆ Glass on top and bottom - select glass designs only
- **Note:** Full overlay door styles use a 1/2" overlay hinge

☆	PE
●	APC
●	APFC
☆	FPEB
●	MI
●	DE
●	OE
●	AD_E
●	CW
●	RD
●	ID
●	CH
●	TWR
●	XS
●	XSG
☆	GD

Wall Angle Chrome Lazy Susan Stack



48" High

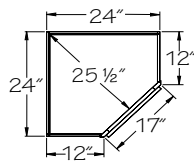
WAST2448 R or L.CLS

51" High

WAST2451 R or L.CLS

54" High

WAST2454 R or L.CLS

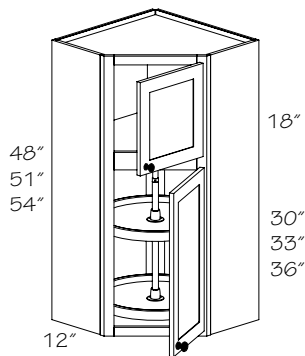


WA24

- Specify R or L for single door hinging
- 19 11/16" diameter rotating shelves
- Maximum weight per shelf is 18 lbs.
- Shelves rotate together
- Two vertical compartments with fixed rail and floor
- Bottom door is always square
- ☆ Glass on top and bottom - select glass designs only
- **Note:** Full overlay door styles use a 1/2" overlay hinge

●	PE
●	APC
●	APFC
●	FPEB
●	MI
●	DE
●	OE
●	AD_E
●	CW
●	RD
●	ID
●	CH
●	TWR
●	XS
●	XSG
☆	GD

Wall Angle Wood Lazy Susan Stack



48" High

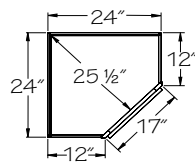
WAST2448 R or L.WLS

51" High

WAST2451 R or L.WLS

54" High

WAST2454 R or L.WLS

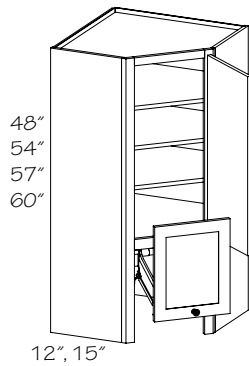


- Specify R or L for single door hinging
- 19 1/2" diameter rotating shelves
- Rotating shelves have plywood floor and solid wood trim
- Two vertical compartments with fixed rail and floor
- Bottom door is always square
- ☆ Glass on top and bottom - select glass designs only
- **Note:** Full overlay door styles use a 1/2" overlay hinge

●	PE
●	APC
●	APFC
●	FPEB
●	MI
●	DE
●	OE
●	AD_E
●	CW
●	RD
●	ID
●	CH
●	TWR
●	XS
●	XSG
☆	GD

Wall Angle Appliance Garage

☆	PE
●	APC
●	APFC
☆	FPEB
●	MI
	DE
	OE
☆	AD_E
	CW
	RD
	ID
☆	CH
	TWR
	XS
	XSG
☆	GD



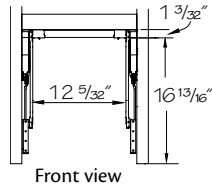
Two adjustable shelves
48" High
□ **WAAG2448 R or L**
★□ **WAAG2748 R or L**

Three adjustable shelves
54" High
WAAG2454 R or L
★ **WAAG2754 R or L**

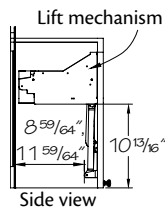
Three adjustable shelves
57" High
WAAG2457 R or L
★+ **WAAG2757 R or L**

Three adjustable shelves
60" High
WAAG2460 R or L
★+ **WAAG2760 R or L**

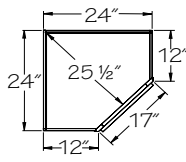
- Specify R or L for single door hinging
- Clearance from countertop to bottom of door is 20 1/32"
- Adjustable Soft-Close lift mechanism standard
- Shelves shipped separately
- Bottom door is always square
- Void All Door and Drawer Front option (VDA) is **not** available
- ☆ Glass doors available for top doors only
- **Note:** Full overlay door styles use a 1/2" overlay hinge



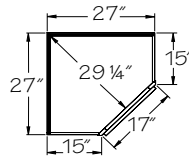
Front view



Side view



WA24

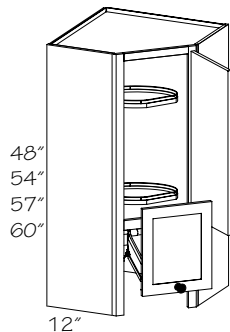


WA27

- Change Height (CH) option **not** available
- ★ Furniture plywood ends (FPEB) standard
- + Attached Decorative Ends (AD_E) option **not** available

Wall Angle Appliance Garage Chrome Lazy Susan

●	PE
●	APC
●	APFC
●	FPEB
●	MI
	DE
	OE
●	AD_E
	CW
	RD
	ID
	CH
	TWR
	XS
	XSG
☆	GD



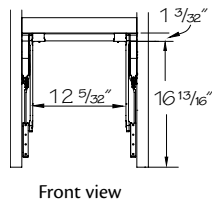
Two shelves
48" High
WAAG2448 R or L.CLS

Three shelves
54" High
WAAG2454 R or L.CLS

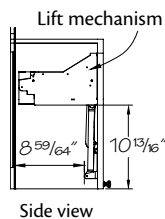
Three shelves
57" High
WAAG2457 R or L.CLS

Three shelves
60" High
WAAG2460 R or L.CLS

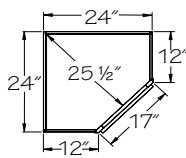
- Specify R or L for single door hinging
- 19 11/16" diameter rotating shelves
- Maximum weight per shelf is 18 lbs.
- Shelves rotate together
- Clearance from countertop to bottom of door is 20 1/32"
- Adjustable Soft-Close lift mechanism standard
- Bottom door is always square
- Void All Door and Drawer Front option (VDA) is **not** available
- ☆ Glass doors available for top doors only
- **Note:** Full overlay door styles use a 1/2" overlay hinge



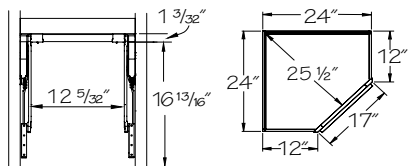
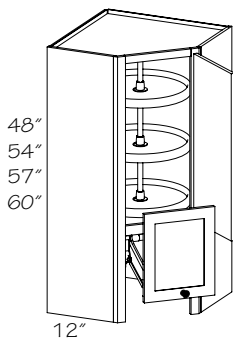
Front view



Side view



Wall Angle Appliance Garage Wood Lazy Susan



Front view

Two shelves
48" High

WAAG2448 R or L.WLS

Three shelves
54" High

WAAG2454 R or L.WLS

Three shelves
57" High

WAAG2457 R or L.WLS

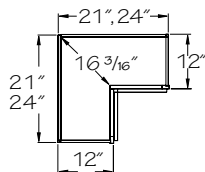
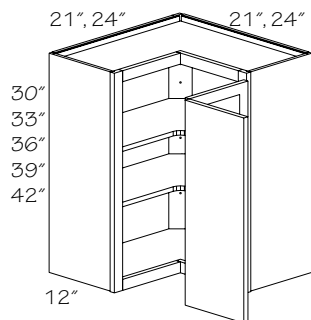
Three shelves
60" High

WAAG2460 R or L.WLS

- Specify R or L for single door hinging
- 19 1/2" diameter rotating shelves
- Adjustable Soft-Close lift mechanism standard
- Rotating shelves have plywood floor and solid wood trim
- Clearance from countertop to bottom of door is 20 1/32"
- Bottom door is always square
- Void All Door and Drawer Front option (VDA) is **not** available
- ☆ Glass doors available for top doors only
- **Note:** Full overlay door styles use a 1/2" overlay hinge

●	PE
●	APC
●	APFC
●	FPEB
●	MI
●	DE
●	OE
●	AD_E
●	CW
●	RD
●	ID
●	CH
●	TWR
●	XS
●	XSG
☆	GD

Wall Easy Reach



Two shelves
30" High

※†■○ **WEZR2130 R or L**

WEZR2430 R or L

Two shelves
33" High

※†■○ **WEZR2133 R or L**

WEZR2433 R or L

Three shelves
36" High

※†■○ **WEZR2136 R or L**

WEZR2436 R or L

Three shelves
39" High

※†■○ **WEZR2139 R or L**

WEZR2439 R or L

Three shelves
42" High

※†■○ **WEZR2142 R or L**

WEZR2442 R or L

- Specify R or L for single door hinging
- Right shown
- Adjustable shelves
- Frame opening from left to right edge:
10 1/2" for WEZR21
14 3/4" for WEZR24
- Face frame is scooped for hinge installation on full overlay door styles
- Hinged door opens to 170°
- ☆ **Not** available with Aluminum Frame Glass doors
- Both legs **must** be modified equally for Change Width (CW), **not** available with Glass Doors (GD)
- **Note:** Does **not** include Soft-Close feature

●	PE
●	APC
●	APFC
●	FPEB
●	MI
●	DE
●	OE
●	AD_E
☆	CW
●	RD
●	ID
●	CH
●	TWR
●	XS
●	XSG
☆	GD



Do **not** design a corner cabinet adjacent to an object deeper than the end panel. The door of the corner cabinet may **not** function properly.

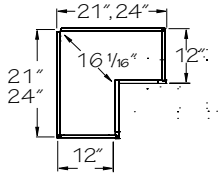
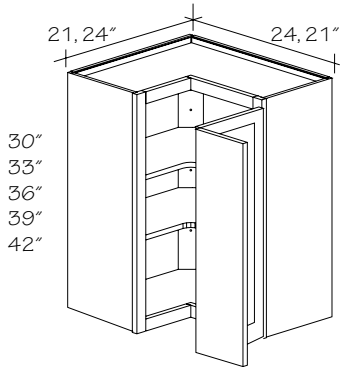
※ Doors are square except full overlay arched door styles. Thermofoil doors will always be square. Vega doors will have a solid, recessed flat panel Caparo doors will have a veneer, recessed flat panel

† Glass door option **not** available

■ Wood-Grain Foil door styles will be supplied as vertical grain slabs

○ Change Width (CW) option **not** available

Asymmetrical Wall Easy Reach



Two shelves
30" High

WEZR212430 R or L
WEZR242130 R or L

Two shelves
33" High

WEZR212433 R or L
WEZR242133 R or L

Three shelves
36" High

WEZR212436 R or L
WEZR242136 R or L

Three shelves
39" High

WEZR212439 R or L
WEZR242139 R or L

Three shelves
42" High

WEZR212442 R or L
WEZR242142 R or L

- Specify R or L for single door hinging
- Adjustable shelves
- Frame opening from left to right edge is 12 7/8"
- Face frame is scooped for hinge installation on full overlay door styles
- Hinged door opens to 170°
- Doors are square except full overlay arched door styles. Thermofoil doors will always be square. Vega doors will have a solid, recessed flat panel
- Wood-Grain Foil door styles will be supplied as vertical grain slabs
- **Note:** Does **not** include Soft-Close feature



Remember, all 9" wide doors in 1/2" overlay will be square even for a roman door style. If a 9" cabinet is required, one suggestion is to void the door and order the cabinet with matching interior and use it as a decorative open cabinet.

●	PE
●	APC
●	APFC
●	FPEB
●	MI
●	DE
●	OE
●	AD_E
	CW
	RD
	ID
●	CH
	TWR
●	XS
	XSG
	GD

Peninsula Wall Corner Cabinets

Construction Options and Modifications

- ◆ Included as standard
- Available with an upcharge
- ☆ Available with exceptions
- (Blank) **Not** available

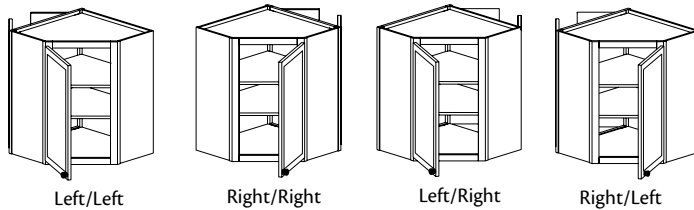
- PE Plywood Ends
- APC All Plywood Construction
- APFC All Plywood Furniture Construction
- FPEB Furniture Plywood Ends
- MI Matching Interior
- AD_E Attached Decorative End
- CW Change Width
- RD Reduced Depth
- ID Increased Depth
- CH Change Height
- XS Extended Stile
- GD Glass Doors

PWA	24	30	R	L
code	width	height	kitchen side hinging	rear door placement (looking at kitchen side)

Material dimensions listed may vary slightly from actual dimensions of the product.

Specifications subject to change without notice.

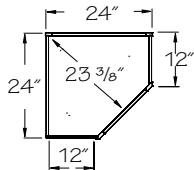
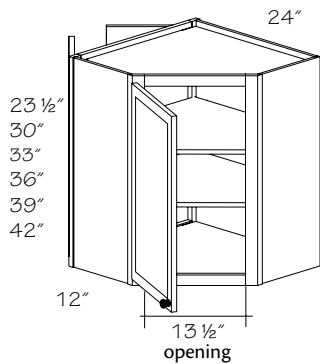
Peninsula Wall Angle Example



- Specify R or L rear door position
- The second R or L designates rear frame position looking at kitchen side

PE
APC
APFC
FPEB
MI
AD_E
CW
RD
ID
CH
XS
GD

Peninsula Wall Angle



One shelf
23 1/2" High

PWA2424 RR or RL
PWA2424 LR or LL

Two shelves
30" High

PWA2430 RR or RL
PWA2430 LR or LL

Two shelves
33" High

PWA2433 RR or RL
PWA2433 LR or LL

Three shelves
36" High

PWA2436 RR or RL
PWA2436 LR or LL

Three shelves
39" High

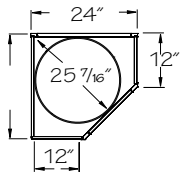
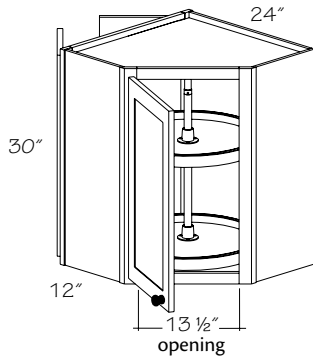
PWA2439 RR or RL
PWA2439 LR or LL

Three shelves
42" High

PWA2442 RR or RL
PWA2442 LR or LL

- Specify R or L for door hinging on kitchen side and rear door placement
- Left/Left shown
- Adjustable shelves
- Butt doors on peninsula side
- Frame backs are **not** finished
- See example for hinging and rear door position
- ☆ Glass inserts **not** available on ends
- **Note:** Full overlay door styles: Kitchen side (front) doors use a 1/2" overlay hinge. Peninsula side (back) doors use a full overlay hinge

● PE
● APC
● APFC
● FPEB
● MI
● AD_E
● CW
● RD
● ID
● CH
● XS
☆ GD



Peninsula Wall Angle Wood Lazy Susan

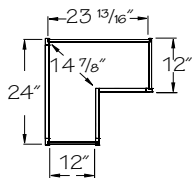
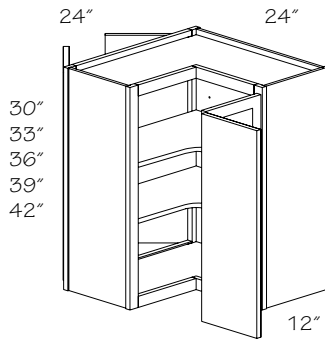
Two Shelves

PWA2430 RR or RL.WLS
PWA2430 LR or LL.WLS

- Specify R or L for door hinging on kitchen side and rear door placement
- Left/Left shown
- 19 1/2" diameter rotating shelves
- Rotating shelves have plywood floor and solid wood trim
- Butt doors on peninsula side
- Frame backs are **not** finished
- See example for hinging and rear door position
- ☆ Glass inserts **not** available on ends
- **Note:** Full overlay door styles: Kitchen side (front) doors use a 1/2" overlay hinge. Peninsula side (back) doors use a full overlay hinge

●	PE
●	APC
●	APFC
●	FPEB
●	MI
●	AD_E
	CW
	RD
	ID
	CH
	XS
☆	GD

Peninsula Wall Easy Reach



Two shelves
 30" High

PWEZR2430 RR or RL
PWEZR2430 LR or LL

Two shelves
 33" High

PWEZR2433 RR or RL
PWEZR2433 LR or LL

Three shelves
 36" High

PWEZR2436 RR or RL
PWEZR2436 LR or LL

Three shelves
 39" High

PWEZR2439 RR or RL
PWEZR2439 LR or LL

Three shelves
 42" High

PWEZR2442 RR or RL
PWEZR2442 LR or LL

- Specify R or L for door hinging on kitchen side and rear door placement
- Right/Left shown
- Adjustable shelves
- Butt doors on peninsula side
- Hinged door opens to 170°
- See example for hinging and rear door position
- Frame backs are **not** finished
- ☆ Glass inserts **not** available on ends
- ☆ **Not** available with Aluminum Frame glass doors on kitchen side
- **Note:** Kitchen side does **not** include Soft-Close feature. Peninsula side doors feature Soft-Close hinge

●	PE
●	APC
●	APFC
●	FPEB
●	MI
●	AD_E
	CW
	RD
	ID
●	CH
●	XS
☆	GD

Wall End Run Cabinets

WEC	12	30
code	width	height

Material dimensions listed may vary slightly from actual dimensions of the product.

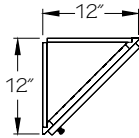
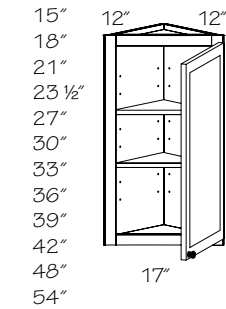
Specifications subject to change without notice.

Construction Options and Modifications

- ❖ Included as standard
- Available with an upcharge
- ☆ Available with exceptions
- (Blank) **Not** available

- PE Plywood Ends
- APC All Plywood Construction
- APFC All Plywood Furniture Construction
- FPEB Furniture Plywood Ends
- MI Matching Interior
- DE Integrated Decorative End
- AD_E Attached Decorative End
- CW Change Width
- RD Reduced Depth
- ID Increased Depth
- CH Change Height
- XS Extended Stile
- GD Glass Doors

Wall Corner Angle



No shelf

WCA1215 R or L

WCA1218 R or L

One shelf

WCA1221 R or L

WCA1224 R or L

□ **WCA1227 R or L**

Two shelves

WCA1230 R or L

WCA1233 R or L

Three shelves

WCA1236 R or L

WCA1239 R or L

WCA1242 R or L

Three shelves, shipped separately

★▲■ **WCA1248 R or L**

Four shelves shipped separately

†★▲■ **WCA1254 R or L**

□ Change Height (CH) option **not** available

★ **Not** available with Mullion glass doors (GD) option

▲ Available in full overlay door styles only

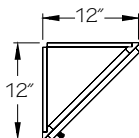
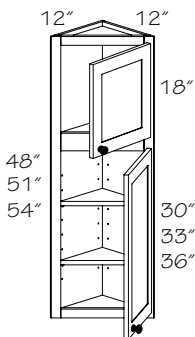
■ **Not** available with Prepared for Glass (GD) option

† Modern Frosted (MRT) and Moire (MOI) Glass Inserts **not** available on 54" H cabinets

- Specify R or L for single door hinging
- Adjustable shelves
- Back Options (BEB and VGRB) **not** available
- Contrasting Back Options (CBEB, CPLB, CVGR) **not** available

- PE
- APC
- APFC
- FPEB
- MI
- DE
- AD_E
- CW
- RD
- ID
- ☆ CH
- XS
- ☆ GD

Wall Corner Angle Stack



Two shelves

WCAST1248 R or L

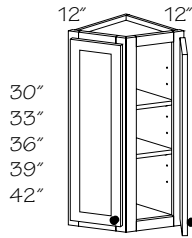
WCAST1251 R or L

Three shelves

WCAST1254 R or L

- Specify R or L for single door hinging
- Two vertical compartments with fixed rail and floor
- Bottom shelves are adjustable
- Shelves shipped separately
- Bottom door is always square
- Back Options (BEB and VGRB) **not** available
- Contrasting Back Options (CBEB, CPLB, CVGR) **not** available
- ☆ Glass on top and bottom - select glass designs only

- PE
- APC
- APFC
- FPEB
- MI
- DE
- AD_E
- CW
- RD
- ID
- CH
- XS
- ☆ GD



Wall End Corner

Two shelves

WEC1230

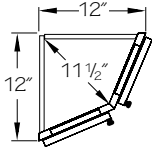
WEC1233

Three shelves

WEC1236

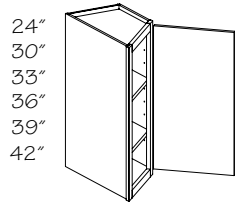
WEC1239

WEC1242



- Adjustable shelves
- Back Options (BEB and VGRB) **not** available
- Contrasting Back Options (CBEB, CPLB, CVGR) **not** available
- Doors are square except full overlay arched door styles. Thermofoil doors will always be square. Vega doors will have a solid, recessed flat panel

●	PE
●	APC
●	APFC
●	FPEB
●	MI
●	DE
●	AD_E
●	CW
●	RD
●	ID
●	CH
●	XS
●	GD



Wall End Angle

One shelf

WEA1224 R or L

Two shelves

WEA1230 R or L

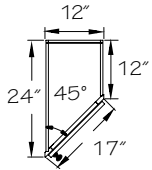
WEA1233 R or L

Three shelves

WEA1236 R or L

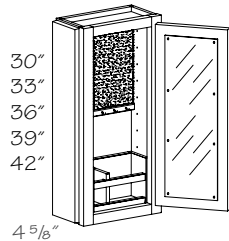
WEA1239 R or L

WEA1242 R or L



- Specify R or L for single door hinging
- Designed to be a transition cabinet between a 12" deep wall cabinet and a 24" deep tall or Wall Refrigerator cabinet
- Right shown
- Adjustable shelves
- ☆ Minimum Reduced Depth (RD) is 18"
- ☆ Integrated Decorative End (DE) available on 12" deep side only
- **Note:** Full overlay door styles use a 1/2" overlay hinge

●	PE
●	APC
●	APFC
●	FPEB
●	MI
☆	DE
●	AD_E
●	CW
☆	RD
●	ID
●	CH
●	XS
●	GD



Wall Message Center

(EMPTY)

MCW1230 R or L

MCW1233 R or L

MCW1236 R or L

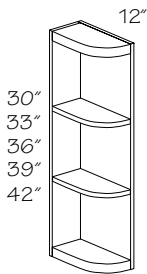
MCW1239 R or L

MCW1242 R or L

- Specify R or L for single door hinging
- Includes: Dry erase board, key hooks, cork board and Utensil organizer
- Available on all door styles
- For use at the end of a cabinet run
- Filler Overlay (FO) supplied, ships separately, field install

●	PE
●	APC
❖	APFC
●	FPEB
●	MI
●	DE
●	AD_E
●	CW
●	RD
●	ID
●	CH
●	XS
●	GD

Solid Wood Wall End Open Shelf

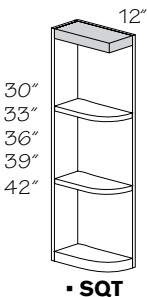


(3) 8 13/16" sections
30" High

SWEOS630 R or L
SWEOS630 R or L.SQT
SWEOS630 R or L.SQB
SWEOS630 R or L.SQTB
SWEOS930 R or L
SWEOS930 R or L.SQT
SWEOS930 R or L.SQB
SWEOS930 R or L.SQTB

(4) 8 11/16" sections
39" High

SWEOS639 R or L
SWEOS639 R or L.SQT
SWEOS639 R or L.SQB
SWEOS639 R or L.SQTB
SWEOS939 R or L
SWEOS939 R or L.SQT
SWEOS939 R or L.SQB
SWEOS939 R or L.SQTB
SWEOS1239 R or L
SWEOS1239 R or L.SQT
SWEOS1239 R or L.SQB
SWEOS1239 R or L.SQTB

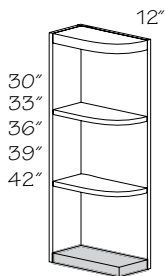


(3) 9 13/16" sections
33" High

SWEOS633 R or L
SWEOS633 R or L.SQT
SWEOS633 R or L.SQB
SWEOS633 R or L.SQTB
SWEOS933 R or L
SWEOS933 R or L.SQT
SWEOS933 R or L.SQB
SWEOS933 R or L.SQTB
SWEOS1233 R or L
SWEOS1233 R or L.SQT
SWEOS1233 R or L.SQB
SWEOS1233 R or L.SQTB

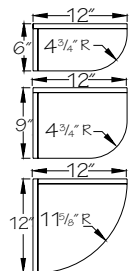
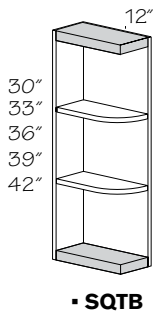
(4) 9 7/16" sections
42" High

SWEOS642 R or L
SWEOS642 R or L.SQT
SWEOS642 R or L.SQB
SWEOS642 R or L.SQTB
SWEOS942 R or L
SWEOS942 R or L.SQT
SWEOS942 R or L.SQB
SWEOS942 R or L.SQTB
SWEOS1242 R or L
SWEOS1242 R or L.SQT
SWEOS1242 R or L.SQB
SWEOS1242 R or L.SQTB



(4) 7 15/16" sections
36" High

SWEOS636 R or L
SWEOS636 R or L.SQT
SWEOS636 R or L.SQB
SWEOS636 R or L.SQTB
SWEOS936 R or L
SWEOS936 R or L.SQT
SWEOS936 R or L.SQB
SWEOS936 R or L.SQTB
SWEOS1236 R or L
SWEOS1236 R or L.SQT
SWEOS1236 R or L.SQB
SWEOS1236 R or L.SQTB



- Specify R or L
- 5/8" wood veneer on sides and back
- 1 3/16" thick top and bottom shelves
- Left shown
- Painted hardwood supplied for EverCore® and Thermofoil
- Plain sawn material supplied for Bristow Crafted door styles
- Solid wood construction on shelves only
- Back Options (BEB and VGRB) *not* available
- Contrasting Back Options (CBEB, CPLB, CVGR) *not* available
- Quartersawn door styles are supplied plain sawn
- *Not* available in High-Gloss Foil or Wood-Grain Foil door styles
- Mesa and Montresano supplied quartersawn
- ☆ Shelves remain solid when APC option is chosen; sides and back will be 11/16" matching wood veneer plywood
- Sides and backs are finished on the exterior/exposed surfaces only, the opposite sides are unfinished
- ☆ Reduced Depth (RD) available in 3" increments to a minimum of 6"

PE
☆ APC
APFC
FPEB
✦ MI
DE
AD_E
CW
☆ RD
ID
CH
XS
GD

Wall Open Cabinets

WCDA	18	36
code	width	height

Material dimensions listed may vary slightly from actual dimensions of the product.

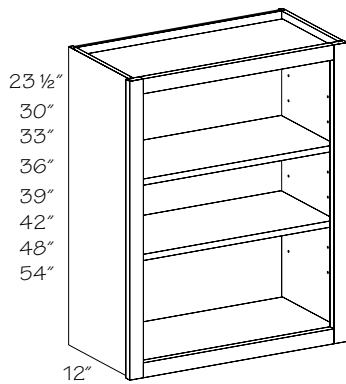
Specifications subject to change without notice.

Construction Options and Modifications

- ❖ Included as standard
- Available with an upcharge
- ☆ Available with exceptions
- (Blank) **Not** available

- PE Plywood Ends
- APC All Plywood Construction
- APFC All Plywood Furniture Construction
- FPEB Furniture Plywood Ends
- MI Matching Interior
- DE Integrated Decorative End
- AD_E Attached Decorative End
- CW Change Width
- RD Reduced Depth
- ID Increased Depth
- CH Change Height
- TWR Top Wide Rail
- XS Extended Stile
- XSG Integrated Extended Stile
- GD Glass Doors

Wall Open Cabinet



*One shelf
23 1/2" High*

- WOC2424**
- WOC3024**

*Two shelves
30" High*

- WOC1230**
- WOC1530**
- WOC1830**
- WOC2130**
- WOC2430**
- WOC2730**
- WOC3030**
- WOC3330**
- WOC3630**

*Two shelves
33" High*

- WOC1233**
- WOC1533**
- WOC1833**
- WOC2133**
- WOC2433**
- WOC2733**
- WOC3033**
- WOC3333**
- WOC3633**

*Three shelves
36" High*

- WOC1236**
- WOC1536**
- WOC1836**
- WOC2136**
- WOC2436**
- WOC2736**
- WOC3036**
- WOC3336**
- WOC3636**

*Three shelves
39" High*

- WOC1239**
- WOC1539**
- WOC1839**
- WOC2139**
- WOC2439**
- WOC2739**
- WOC3039**
- WOC3339**
- WOC3639**

*Three shelves
42" High*

- WOC1242**
- WOC1542**
- WOC1842**
- WOC2142**
- WOC2442**
- WOC2742**
- WOC3042**
- WOC3342**
- WOC3642**

*Three shelves,
shipped separately
48" High*

- WOC1248**
- WOC1548**
- WOC1848**
- WOC2148**
- WOC2448**
- WOC2748**
- WOC3048**
- WOC3348**
- WOC3648**

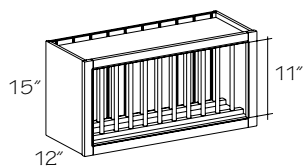
*Four shelves,
shipped separately
54" High*

- WOC1254**
- WOC1554**
- WOC1854**
- WOC2154**
- WOC2454**
- WOC2754**
- WOC3054**
- WOC3354**
- WOC3654**

- No door
- Adjustable shelves
- The following valance options are available:
 - VA (4 1/2" Arched Fret Valance)
 - VCB (5 1/2" Corbel Valance)
 - VCV (5 1/2" Cove Valance)
 - VCR (5 1/2" Crown Valance)
 - VF (3 1/2" Furniture Valance)
 - VSH (5 1/2" Shaker Arched Valance)
 - VTWR (6" Straight Rail Valance)
 - VVIC (5 1/2" Victorian Valance)
- Valance options available in cabinets 15" and wider
- VA **not** available in 15" wide cabinets
- Painted hardwood supplied for EverCore®
- Valance options are plain sawn wood in quartersawn door styles
- ☆ Wall Top Wide Rail (WTWR) available on 12"-36" high cabinets only
- ☆ Maximum Increased Depth (ID) is 15" for cabinets 48" and 54" high
- Order Example: WOC2430-VCR; see Construction Option section for illustrations

●	PE
●	APC
●	APFC
●	FPEB
❖	MI
●	DE
●	AD_E
●	CW
●	RD
☆	ID
●	CH
☆	TWR
●	XS
●	XSG
●	GD

Wall China Display

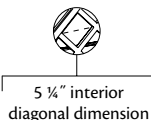
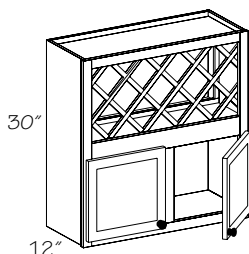


- WCD2415** 7 plates
- WCD3015** 10 plates
- WCD3615** 12 plates

- 10 7/8" clearance for plates
- Spindle height 11 1/2"
- Spindles are shipped separately
- Wood veneer Beaded Back
- Painted hardwood supplied for EverCore®
- Mesa and Montresano supplied plain sawn
- ☆ Minimum Reduced Depth (RD) is 9"

●	PE
●	APC
●	APFC
●	FPEB
◇	MI
●	DE
	AD_E
	CW
☆	RD
	ID
	CH
	TWR
	XS
	XSG
	GD

Lattice Wall Cabinet

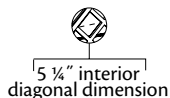
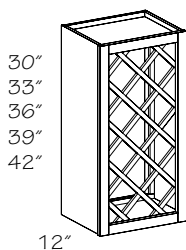
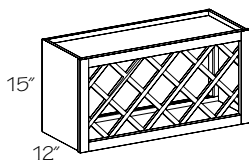


- LW3030** 11 bottles
- LW3630** 13 bottles

- 3 3/4" diameter bottle
- Lattices are **not** removable
- Lattice finished one side only
- No shelf

●	PE
●	APC
●	APFC
●	FPEB
◇	MI
	DE
●	AD_E
	CW
	RD
	ID
	CH
	TWR
●	XS
	XSG
●	GD

Lattice Wall



- Horizontal*
15" High
- LW2415** 7 bottles
 - LW3015** 11 bottles
 - LW3315** 11 bottles
 - LW3615** 13 bottles

- Vertical*
30" High
- LW1530** 11 bottles
 - LW1830** 11 bottles
 - LW2430** 17 bottles

- Vertical*
33" High
- LW1533** 11 bottles
 - LW1833** 11 bottles
 - LW2433** 17 bottles

- Vertical*
36" High
- LW1536** 13 bottles
 - LW1836** 13 bottles
 - LW2436** 23 bottles

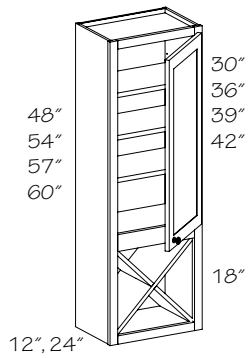
- Vertical*
39" High
- LW1539** 17 bottles
 - LW1839** 17 bottles
 - LW2439** 27 bottles

- Vertical*
42" High
- LW1542** 17 bottles
 - LW1842** 17 bottles
 - LW2442** 27 bottles

- 3 3/4" diameter bottle
- Lattices are **not** removable
- Lattice finished one side only
- Painted hardwood supplied for EverCore®

●	PE
●	APC
●	APFC
●	FPEB
◇	MI
	DE
●	AD_E
	CW
	RD
	ID
	CH
	TWR
●	XS
	XSG
	GD

Wall Wine Hutch



12" Deep

- ☆ **WWH181248 R or L**
- ☆ **WWH181254 R or L**
- +☆ **WWH181257 R or L**
- +☆ **WWH181260 R or L**

24" Deep

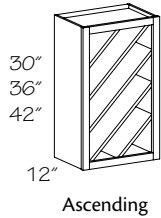
- WWH182448 R or L**
- WWH182454 R or L**
- + **WWH182457 R or L**
- + **WWH182460 R or L**

- ☆ Reduced Depth (RD) is **not** available
- + Attached Decorative Ends (AD_E) option **not** available

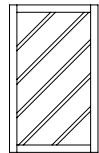
- Specify R or L for single door hinging
- Designed to set on countertop
- 24" deep cabinet **cannot** be reduced to depth less than 12"
- ☆ When Reduced Depth (RD) is selected, wine storage section will always be 12" deep. The cabinet when ordered from 24" deep to 12 1/16" deep will always have a back panel in the wine storage section that is up against the X cross members

PE
❖ APC
● APFC
● FPFB
❖ MI
DE
☆ AD_E
CW
☆ RD
ID
CH
TWR
● XS
XSG
● GD

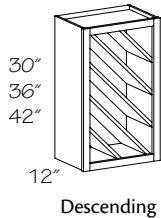
Wall - Diagonal Wine Storage Cabinet



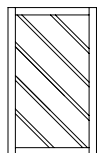
Ascending



Ascending



Descending



Descending

Ascending

- WDWC1830 .A**
- WDWC1836 .A**
- WDWC1842 .A**
- WDWC2430 .A**
- WDWC2436 .A**
- WDWC2442 .A**

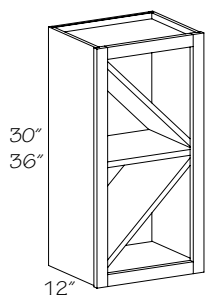
Descending

- WDWC1830 .D**
- WDWC1836 .D**
- WDWC1842 .D**
- WDWC2430 .D**
- WDWC2436 .D**
- WDWC2442 .D**

- 11/16" (17.5 mm) thick shelves
- Shelves fixed into position and are **not** adjustable
- Spacing between shelves is 4 1/8" wide, except top/bottom corner shelves which vary based on the overall cabinet size chosen

PE
❖ APC
● APFC
FPFB
❖ MI
DE
AD_E
CW
RD
ID
CH
TWR
● XS
XSG
GD

Wall - Offset Diagonal Wine Storage Cabinet

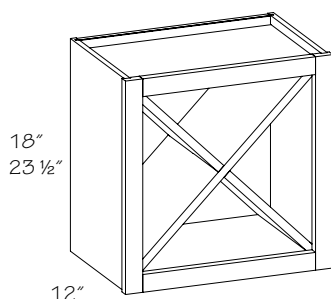


WODWC1530
WODWC1830
WODWC2130
WODWC1536
WODWC1836
WODWC2136

- 11/16" (17.5 mm) thick shelves
- Shelves fixed into position and are **not** adjustable
- Cabinet can be inverted 180°; cabinet cannot be turned 90°

PE
❖ APC
☆ APFC
FPEB
❖ MI
DE
AD_E
CW
RD
ID
CH
TWR
● XS
XSG
GD

Wine Storage Cabinet



WSC1818
WSC2424

- Requires additional support. Installation between two cabinets or cabinet and wall recommended
- Painted hardwood supplied for EverCore®



When ordering an unfinished cabinet that has standard Matching Interior (MIV), you **must** use MIP, MIFP or FPEB to get a wood veneer matching interior. If the cabinet is Wood Veneer standard, ordered as All Plywood (APC) or with Furniture Plywood Ends (FPEB, APFC), wood veneer matching interior will be standard.

PE
❖ APC
● APFC
● FPEB
❖ MI
DE
AD_E
CW
RD
ID
CH
TWR
XS
XSG
GD

Wall Microwave Cabinets

Construction Options and Modifications

PE	Plywood Ends
APC	All Plywood Construction
APFC	All Plywood Furniture Construction
FPEB	Furniture Plywood Ends
MI	Matching Interior
AD_E	Attached Decorative End
CW	Change Width
RD	Reduced Depth
ID	Increased Depth
CH	Change Height
XS	Extended Stile
GD	Glass Doors

WMC	27	18	36
code	width	depth	height

- ❖ Included as standard
- Available with an upcharge
- ☆ Available with exceptions
- (Blank) **Not** available

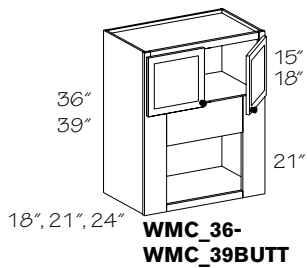
Installation Notes: Installation of a wall cabinet 30" or wider, by itself, is **not** recommended and requires additional support, such as attachment to a soffit, or support from below.

Any wall cabinet over 24" wide or 30" high with a depth greater than 12" or butt doors **must** be installed between two cabinets, a cabinet and a wall, or supported from below.

Material dimensions listed may vary slightly from actual dimensions of the product.

Specifications subject to change without notice.

Wall Microwave Cabinet

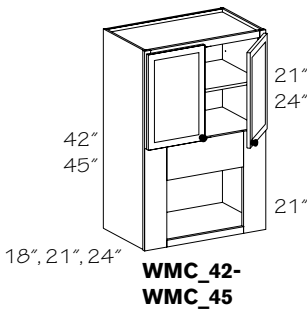


36" High
Opening trimmable to:
Width: 16" to 25"
Height: 13" to 19"
WMC271836 (Butt)
WMC272136 (Butt)
WMC272436 (Butt)

42" High
Opening trimmable to:
Width: 16" to 25"
Height: 13 1/2" to 19 1/2"
WMC271842 (Butt)
WMC272142 (Butt)
WMC272442 (Butt)

36" High
Opening trimmable to:
Width: 19" to 28"
Height: 13" to 19"
WMC301836 BUTT
WMC302136 BUTT
WMC302436 BUTT

42" High
Opening trimmable to:
Width: 19" to 28"
Height: 13 1/2" to 19 1/2"
WMC301842 BUTT
WMC302142 BUTT
WMC302442 BUTT



39" High
Opening trimmable to:
Width: 16" to 25"
Height: 13" to 19"
WMC271839 (Butt)
WMC272139 (Butt)
WMC272439 (Butt)

45" High
Opening trimmable to:
Width: 16" to 25"
Height: 13 1/2" to 19 1/2"
WMC271845 (Butt)
WMC272145 (Butt)
WMC272445 (Butt)

39" High
Opening trimmable to:
Width: 19" to 28"
Height: 13" to 19"
WMC301839 BUTT
WMC302139 BUTT
WMC302439 BUTT

45" High
Opening trimmable to:
Width: 19" to 28"
Height: 13 1/2" to 19 1/2"
WMC301845 BUTT
WMC302145 BUTT
WMC302445 BUTT

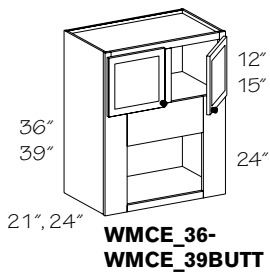
+ Attached Decorative Ends (AD_E) option **not** available

- Designed for "built-in" style microwaves
- Change Height (CH) modifications will be made in the upper door section
- **Note: Must** be installed between two cabinets or cabinet and wall with supplied connectors

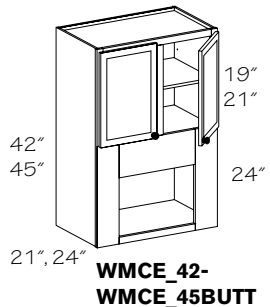


Installation of a wall cabinet 30" or wider, by itself, is **not** recommended by Masterpiece and requires additional support, such as attachment to a soffit or support from below

●	PE
●	APC
●	APFC
●	FPEB
●	MI
☆	AD_E
●	CW
●	RD
●	ID
●	CH
●	XS
●	GD



**WMCE_36-
WMCE_39BUTT**



**WMCE_42-
WMCE_45BUTT**

Wall Microwave Cabinet–Extended Opening

36" High
Opening trimmable to:
Width: 16" to 25"
Height: 16" to 22"

- **WMCE272136 (Butt)**
- **WMCE272436 (Butt)**

36" High
Opening trimmable to:
Width: 19" to 28"
Height: 16" to 22"

- **WMCE302136 BUTT**
- **WMCE302436 BUTT**

39" High
Opening trimmable to:
Width: 16" to 25"
Height: 16" to 22"

- WMCE272139 (Butt)**
- WMCE272439 (Butt)**

39" High
Opening trimmable to:
Width: 19" to 28"
Height: 16" to 22"

- WMCE302139 BUTT**
- WMCE302439 BUTT**

42" High
Opening trimmable to:
Width: 19" to 28"
Height: 16 1/2" to 22 1/2"

- WMCE272142 (Butt)**
- WMCE272442 (Butt)**
- WMCE302142 BUTT**
- WMCE302442 BUTT**

45" High
Opening trimmable to:
Width: 16" to 25"
Height: 16 1/2" to 22 1/2"

- + **WMCE272145 (Butt)**
- + **WMCE272445 (Butt)**

45" High
Opening trimmable to:
Width: 19" to 28"
Height: 16 1/2" to 22 1/2"

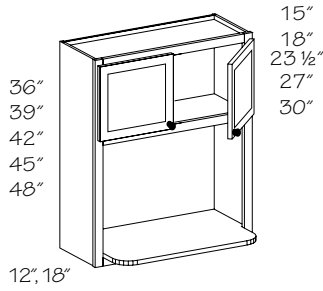
- + **WMCE302145 BUTT**
- + **WMCE302445 BUTT**

- Change Height (CH) option *not* available
- + Attached Decorative Ends (AD_E) option *not* available

- Designed for "built-in" style microwaves
- Change Height (CH) modifications will be made in the upper door section
- **Note: Must** be installed between two cabinets or cabinet and wall with supplied connectors

●	PE
●	APC
●	APFC
●	FPEB
●	MI
☆	AD_E
●	CW
●	RD
	ID
☆	CH
●	XS
●	GD

Wall Microwave Shelf Cabinet



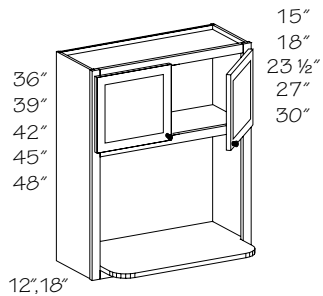
36" High	WMSC271236 (Butt)	24" x 18 3/4"
	WMSC271836 (Butt)	24" x 18 3/4"
	WMSC301236 BUTT	27" x 18 3/4"
39" High	WMSC271239 (Butt)	24" x 18 3/4"
	WMSC271839 (Butt)	24" x 18 3/4"
	WMSC301239 BUTT	27" x 18 3/4"
42" High	WMSC271242 (Butt)	24" x 16 1/4"
	WMSC271842 (Butt)	24" x 16 1/4"
	WMSC301242 BUTT	27" x 16 1/4"
45" High	+ WMSC271245 (Butt)	24" x 15 3/4"
	+ WMSC271845 (Butt)	24" x 15 3/4"
	+ WMSC301245 BUTT	27" x 15 3/4"
48" High	WMSC271848 (Butt)	24" x 15 3/4"

+ Attached Decorative Ends (AD_E) option **not** available

- 36" and 39" high has no shelves, 42" and 45" high have one shelf and 48" high has two shelves in top section
- 3/4" matching shelf, 18" deep on 12" cabinets, 24" deep on 18" cabinets
- Designed for countertop style microwaves
- Change Height (CH) modifications will be made in the upper door section
- **Note: Must** be installed between two cabinets or cabinet and wall with supplied connectors

●	PE
●	APC
●	APFC
●	FPEB
❖	MI
☆	AD_E
	CW
●	RD
●	ID
●	CH
●	XS
●	GD

Wall Microwave w/Solid Wood Shelf



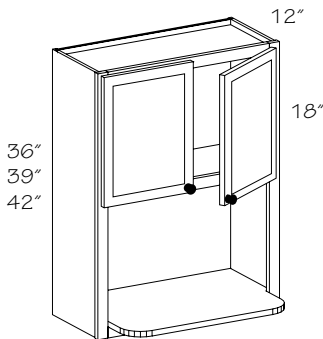
36" High	SWMSC271236 (Butt)	24" x 18 3/4"
	SWMSC271836 (Butt)	24" x 18 3/4"
	SWMSC301236 BUTT	27" x 18 3/4"
39" High	SWMSC271239 (Butt)	24" x 18 3/4"
	SWMSC271839 (Butt)	24" x 18 3/4"
	SWMSC301239 BUTT	27" x 18 3/4"
42" High	SWMSC271242 (Butt)	24" x 16 1/4"
	SWMSC271842 (Butt)	24" x 16 1/4"
	SWMSC301242 BUTT	27" x 16 1/4"
45" High	+ SWMSC271245 (Butt)	24" x 15 3/4"
	+ SWMSC271845 (Butt)	24" x 15 3/4"
	+ SWMSC301245 BUTT	27" x 15 3/4"
48" High	SWMSC271848 (Butt)	24" x 15 3/4"

+ Attached Decorative Ends (AD_E) option **not** available

- 36" and 39" high has no shelves, 42" and 45" high have one shelf and 48" high has two shelves in top section
- 3/4" matching shelf, 18" deep on 12" cabinets, 24" deep on 18" cabinets
- Solid wood construction on matching lower shelf only
- Designed for countertop style microwaves
- Thermofolds are painted hardwood
- Change Height (CH) modifications will be made in the upper door section
- **Note: Must** be installed between two cabinets or cabinet and wall with supplied connectors

●	PE
●	APC
●	APFC
●	FPEB
❖	MI
☆	AD_E
	CW
●	RD
●	ID
●	CH
●	XS
●	GD

Wall Compact Microwave Shelf

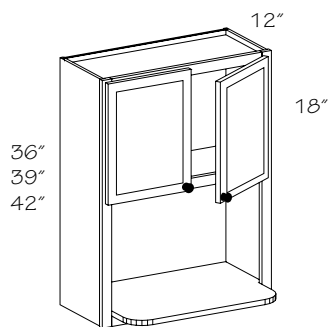


36" High	WCMSC241236	21" x 15 3/4"
	WCMSC271236 (Butt)	24" x 15 3/4"
39" High	WCMSC241239	21" x 15 3/4"
	WCMSC271239 (Butt)	24" x 15 3/4"
42" High	WCMSC241242	21" x 16 1/4"
	WCMSC271242 (Butt)	24" x 16 1/4"

- 18" deep, 3/4" matching shelf
- Designed for countertop style microwaves
- Change Height (CH) modifications will be made in the upper door section
- **Note: Must** be installed between two cabinets or cabinet and wall with supplied connectors

●	PE
●	APC
●	APFC
●	FPEB
❖	MI
●	AD_E
	CW
●	RD
	ID
●	CH
●	XS
●	GD

Wall Compact Microwave w/Solid Wood Shelf

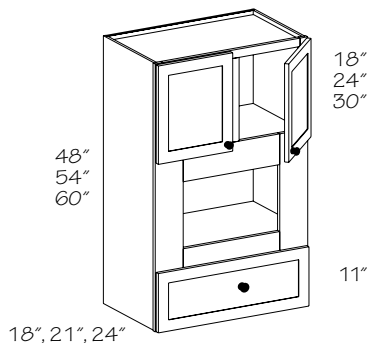


36" High	SWCMSC241236	Inside Dimensions:	21" x 15 3/4"
	SWCMSC271236 (Butt)		24" x 15 3/4"
39" High	SWCMSC241239		21" x 15 3/4"
	SWCMSC271239 (Butt)		24" x 15 3/4"
42" High	SWCMSC241242		21" x 16 1/4"
	SWCMSC271242 (Butt)		24" x 16 1/4"

- 18" deep, 3/4" matching shelf
- Solid wood construction on matching lower shelf only
- Designed for countertop style microwaves
- Thermofoils are painted hardwood
- Change Height (CH) modifications will be made in the upper door section
- **Note: Must** be installed between two cabinets or cabinet and wall with supplied connectors

●	PE
●	APC
●	APFC
●	FPEB
✦	MI
●	AD_E
●	CW
●	RD
●	ID
●	CH
●	XS
●	GD

Wall Microwave Cabinet w/Drawer



No shelves in upper section	48" High
WMCD271848 (Butt)	
WMCD301848	
WMCD272148 (Butt)	
WMCD302148	
WMCD272448 (Butt)	
WMCD302448	

One shelf in upper section
54" High

WMCD271854 (Butt)
WMCD301854
WMCD272154 (Butt)
WMCD302154
WMCD272454 (Butt)
WMCD302454

Two shelves in upper section
60" High

- + **WMCD271860 (Butt)**
- + **WMCD301860**
- + **WMCD272160 (Butt)**
- + **WMCD302160**
- + **WMCD272460 (Butt)**
- + **WMCD302460**

+ Attached Decorative Ends (AD_E) option **not** available

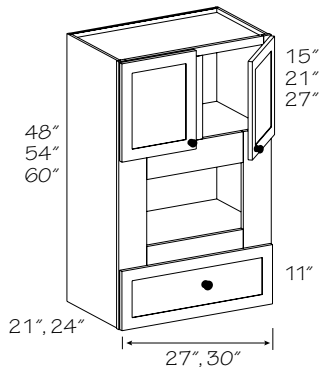
- One deep drawer
- Designed for "built-in" style microwaves
- Change Height (CH) modifications will be made in the upper door section
- **Not** intended as a wall mounted cabinet; unit **must** be supported by another cabinet or countertop

●	PE
●	APC
●	APFC
●	FPEB
●	MI
☆	AD_E
●	CW
●	RD
●	ID
●	CH
●	XS
●	GD

Cut out dimensions

Cabinet	Min. Width	Max. Width	Min. Height	Max. Height
WMCDE27_48	16"	25"	12"	15 1/2"
WMCDE27_54	16"	25"	12 1/2"	16"
WMCDE27_60	16"	25"	12"	15 1/2"
WMCDE30_48	19"	28"	12"	15 1/2"
WMCDE30_54	19"	28"	12 1/2"	16"
WMCDE30_60	19"	28"	12"	15 1/2"

Wall Microwave Cabinet w/Drawer-Extended Opening



No shelves in upper section
48" High

- WMCDE272148 (Butt)
- WMCDE302148
- WMCDE272448 (Butt)
- WMCDE302448

One shelf in upper section
54" High

- WMCDE272154 (Butt)
- WMCDE302154
- WMCDE272454 (Butt)
- WMCDE302454

Two shelves in upper section
60" High

- + WMCDE272160 (Butt)
- + WMCDE302160
- + WMCDE272460 (Butt)
- + WMCDE302460

+ Attached Decorative Ends (AD_E) option *not* available

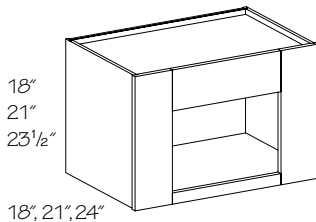
- One deep drawer
- Designed for "built-in" style microwaves
- Change Height (CH) modifications will be made in the upper door section
- **Not** intended as a wall mounted cabinet; unit **must** be supported by another cabinet or countertop

- PE
- APC
- APFC
- FPFB
- MI
- ☆ AD_E
- CW
- RD
- ID
- CH
- XS
- GD

Cut out dimensions

Cabinet	Min Width	Max Width	Min Height	Max Height
WMCDE27_48	16"	25"	15"	18 1/2"
WMCDE27_54	16"	25"	15 1/2"	19"
WMCDE27_60	16"	25"	15"	18 1/2"
WMCDE30_48	19"	28"	15"	18 1/2"
WMCDE30_54	19"	28"	15 1/2"	19"
WMCDE30_60	19"	28"	15"	18 1/2"

Wall Microwave Box



18" High
Opening trimmable to:
Width: 16" to 25"
Height: 11" to 15 1/2"

- WMB271818
- WMB272118

18" High
Opening trimmable to:
Width: 19" to 28"
Height: 11" to 15 1/2"

- WMB301818
- WMB302118

21" High
Opening trimmable to:
Width: 16" to 25"
Height: 14" to 18 1/2"

- WMB271821
- WMB272121
- WMB272421

21" High
Opening trimmable to:
Width: 19" to 28"
Height: 14" to 18 1/2"

- WMB301821
- WMB302121
- WMB302421

23 1/2" High
Opening trimmable to:
Width: 16" to 25"
Height: 17" to 21 1/2"

- WMB272124
- WMB272424

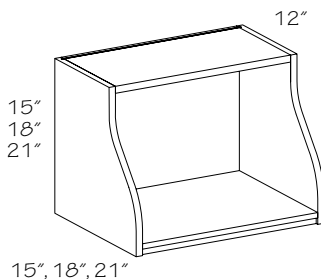
23 1/2" High
Opening trimmable to:
Width: 19" to 28"
Height: 17" to 21 1/2"

- WMB302124
- WMB302424

- Designed for "built-in" style microwaves
- Contrasting Back Options (CBEB, CPLB, CVGR) **not** available
- Back Options (BEB and VGRB) **not** available
- Painted hardwood supplied for EverCore®
- Change Height (CH) and Change Width (CW) changes will occur in the cabinet opening - stiles and rails will **not** change
- **Note: Must** be installed between two cabinets or cabinet and wall with supplied connectors

- PE
- APC
- APFC
- FPFB
- MI
- AD_E
- CW
- RD
- ID
- CH
- XS
- GD

Wall Microwave Shelf



15" High

- WMS211515
- WMS241515
- WMS211815
- WMS241815

18" High

- WMS241818
- WMS271818
- WMS301818
- WMS242118
- WMS272118
- WMS302118

21" High

- WMS241821
- WMS271821
- WMS301821
- WMS242121
- WMS272121
- WMS302121

Inside Dimensions:

- 19 3/8" x 12 11/16"
- 22 3/8" x 12 11/16"
- 19 3/8" x 12 11/16"
- 22 3/8" x 12 11/16"

- 22 3/8" x 15 11/16"
- 25 3/8" x 15 11/16"
- 28 3/8" x 15 11/16"
- 22 3/8" x 15 11/16"
- 25 3/8" x 15 11/16"
- 28 3/8" x 15 11/16"

- 22 3/8" x 18 11/16"
- 25 3/8" x 18 11/16"
- 28 3/8" x 18 11/16"
- 22 3/8" x 18 11/16"
- 25 3/8" x 18 11/16"
- 28 3/8" x 18 11/16"

○ Change Width (CW) option *not* available

- 3/4" wood veneer construction
- Designed for countertop style microwaves
- Quartersawn door styles are supplied plain sawn
- Painted hardwood supplied for EverCore®
- Contrasting Back Options (CBEB, CPLB, CVGR) **not** available
- **Note: Must** be installed between two cabinets or cabinet and wall with supplied connectors



Do **not** design a wall hood or microwave shelf adjacent to a corner cabinet. The door of the corner cabinet will **not** function.

- PE
- APC
- APFC
- FPFB
- ☆ MI
- AD_E
- ☆ CW
- RD
- ID
- CH
- XS
- GD

Wall Hoods

Construction Options and Modifications

WHCC	36	24	30
code	width	depth	height

- ❖ Included as standard
- Available with an upcharge
- ☆ Available with exceptions
- (Blank) **Not** available

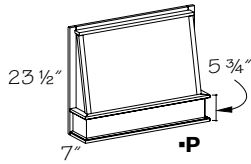
- PE Plywood Ends
- APC All Plywood Construction
- APFC All Plywood Furniture Construction
- FPEB Furniture Plywood Ends
- MI Matching Interior
- DE Integrated Decorative End
- CW Change Width
- RD Reduced Depth
- ID Increased Depth
- CH Change Height
- XS Extended Stile
- XSG Integrated Extended Stile
- GD Glass Doors

Consult your local building code for rules and regulations that may apply to the installation of this product.

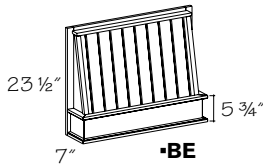
Material dimensions listed may vary slightly from actual dimensions of the product.

Specifications subject to change without notice.

Wall Hood Classic



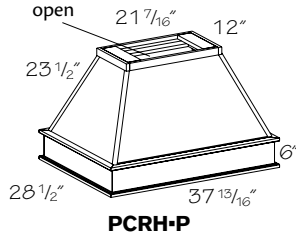
- CRHF3024 .BE
- CRHF3624 .BE
- CRHF3024 .P
- CRHF3624 .P



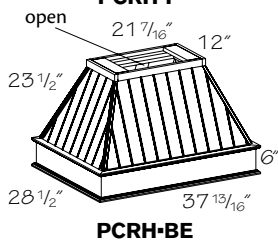
- Solid wood/wood veneer construction
- Metal liner required
- Requires Wall Hood Component Package “B” or “E”, located before the Wall Hood Designs in this section
- Quartersawn door styles are supplied plain sawn
- **Not** available in Rustic Alder door styles
- **Not** available in High-Gloss Foil or Wood-Grain Foil door styles
- Painted hardwood supplied for EverCore®
- **Note:** Wall Hood **must** be installed between two cabinets

PE
● APC
APFC
FPEB
MI
DE
CW
RD
ID
CH
XS
XSG
GD

Peninsula Wall Hood Classic



- PCRH3624 .BE
- PCRH3624 .P

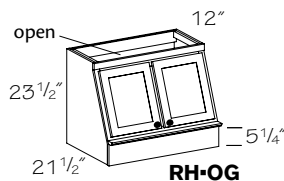


- Solid wood/wood veneer construction
- Requires Wall Hood Component Package “C” or “F”, located before the Wall Hood Designs in this section
- Quartersawn door styles are supplied plain sawn
- **Not** available in Rustic Alder door styles
- **Not** available in High-Gloss Foil or Wood-Grain Foil door styles
- Painted hardwood supplied for EverCore®
- **Note:** Wall hood **must** be securely anchored to ceiling or soffit

PE
● APC
APFC
FPEB
MI
DE
CW
RD
ID
CH
XS
XSG
GD

Wall Hood Matching

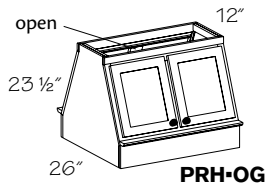
- Ogee Molding
- RH3024 .OG
- RH3624 .OG



- Solid wood/wood veneer construction
- Metal liner required
- Doors open to facilitate duct installation and wiring
- Requires Wall Hood Component Package “A” or “D”, located before the Wall Hood Designs in this section
- Quartersawn door styles are supplied plain sawn
- **Not** available in Rustic Alder door styles
- **Not** available in High-Gloss Foil or Wood-Grain Foil door styles
- Painted hardwood supplied for EverCore®
- **Note:** Wall Hood **must** be installed between two cabinets

PE
● APC
APFC
FPEB
MI
DE
CW
RD
ID
CH
XS
XSG
GD

Peninsula Wall Hood Matching

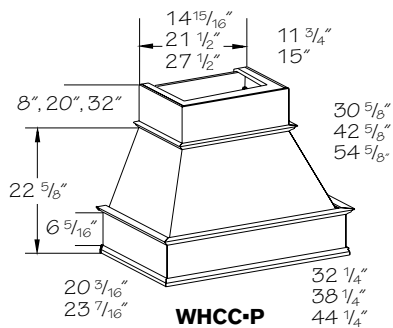


Ogee Molding
PRH3024 .OG
PRH3624 .OG

- Solid wood/wood veneer construction
- Metal liner required
- Doors open to facilitate duct installation and wiring
- Requires Wall Hood Component Package "C" or "F", located before the Wall Hood Designs in this section
- Quartersawn door styles are supplied plain sawn
- **Not** available in Rustic Alder door styles
- **Not** available in High-Gloss Foil or Wood-Grain Foil door styles
- Painted hardwood supplied for EverCore®
- **Note:** Wall hood **must** be securely anchored to ceiling or soffit

PE
● APC
APFC
FPEB
MI
DE
CW
RD
ID
CH
XS
XSG
GD

Wall Hood Classic Chimney



Plain
 30 5/8" High
WHCC301930 .P
WHCC361930 .P
WHCC362430 .P
WHCC422430 .P
 Plain
 42 5/8" High
WHCC301942 .P
WHCC361942 .P
WHCC362442 .P
WHCC422442 .P

Plain
 54 5/8" High
WHCC301954 .P
WHCC361954 .P
WHCC362454 .P
WHCC422454 .P

- Solid wood/wood veneer construction
- Check local building codes for required clearances between the Wall Hood and cooking surface
- A 3" space is recommended on the right and left side of this unit before beginning the adjacent cabinet runs
- 30 5/8" high hoods are designed for use with 8 foot ceilings
- 42 5/8" high hoods are designed for use with 9 ft. ceilings
- 54 5/8" high hoods are designed for use with 10 ft. ceilings
- Lower molding matches Beaded Panel Molding (BPM8) profile, other molding matches Soffit Crown Molding profile (SCM8)
- Chimney section shipped separately
- Will accept optional onlays, ordered separately; see Molding Accents section
- **Not** designed to be used with a soffit
- Painted or Stained hardwood supplied for Wood-Grain Foil door styles
- Quartersawn door styles are supplied plain sawn
- 19" deep requires Wall Hood Component Package "J", located before the Wall Hood Designs in this section
- 24" deep requires Wall Hood Component Package "G" or "P", located before the Wall Hood Designs in this section
- **Note:** Cabinetry and appliances located below these Wall Hoods **must** be pulled to a minimum of 27" deep and a maximum of 30" deep for improved function
- **Note:** Wall Hood **must** be securely anchored to wall

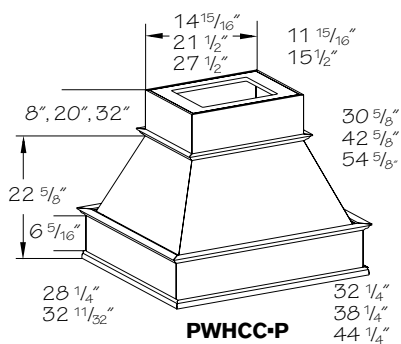
PE
◆ APC
APFC
FPEB
MI
DE
CW
RD
ID
CH
XS
XSG
GD

Cabinet	Opening Sizes			
	Top Width	Top Depth	Bottom Width	Bottom Depth
WHCC30	8"	7 9/16"	28 1/2"	18 3/16"
WHCC36	14 3/16"	10 3/4"	34 1/2"	21 3/16"
WHCC42	20 1/2"	10 3/4"	40 1/2"	21 3/16"



Select a Wall Hood, Chimney style when designing with open soffits. A Chimney style hood is selected when you want an unfitted look; a design that looks great with your door style, but matching or including the door style is **not** required.

Peninsula Wall Hood Classic Chimney



Plain
30 5/8" High
PWHCC302830 .P
PWHCC363330 .P
PWHCC423330 .P

Plain
42 5/8" High
PWHCC302842 .P
PWHCC363342 .P
PWHCC423342 .P

Plain
54 5/8" High
PWHCC302854 .P
PWHCC363354 .P
PWHCC423354 .P

PE
❖ APC
APFC
FPEB
MI
DE
CW
RD
ID
CH
XS
XSG
GD

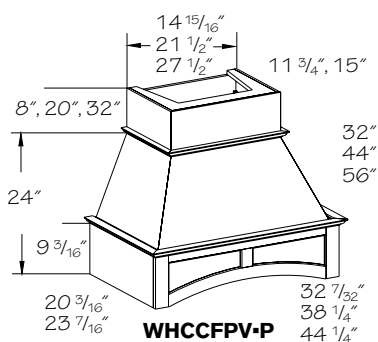
- Solid wood/wood veneer construction
- Check local building codes for required clearances between the Wall Hood and cooking surface
- A 3" space is recommended on the right and left side of this unit before beginning the adjacent cabinet runs
- 30 5/8" high hoods are designed for use with 8 foot ceilings
- 42 5/8" high hoods are designed for use with 9 ft. ceilings
- 54 5/8" high hoods are designed for use with 10 ft. ceilings
- Lower molding matches Beaded Panel Molding (BPM8) profile, other molding matches Soffit Crown Molding profile (SCM8)
- Chimney section shipped separately
- Will accept optional onlays, ordered separately; see Molding Accents section
- **Not** designed to be used with a soffit
- Quartersawn door styles are supplied plain sawn
- Painted hardwood supplied for EverCore® and Thermofoil
- Painted or Stained hardwood supplied for Wood-Grain Foil door styles
- 30" wide requires Wall Hood Component Package "K", located before the Wall Hood Designs in this section
- 36"-42" wide requires Wall Hood Component Package "H" or "O", located before the Wall Hood Designs in this section
- **Note:** Cabinetry and appliances located below these Wall Hoods **must** be pulled to a minimum of 27" deep and a maximum of 30" deep for improved function
- **Note:** Wall hood **must** be securely anchored to ceiling

Opening Sizes				
Cabinet	Top Width	Top Depth	Bottom Width	Bottom Depth
PWHCC30	7 1/16"	6 1/16"	28 1/2"	24 1/2"
PWHCC36	14 1/2"	10 1/2"	34 1/2"	28 19/32"
PWHCC42	20 1/2"	10 1/2"	40 1/2"	21 19/32"



Apply your molding of choice at the ceiling along the top edge of the Wall Hood Chimney to present a finished look or to coordinate with adjacent cabinetry. A beaded styled hood may be selected to coordinate with beaded/v-grooved paneling and doors, but is **not** required.

Wall Hood Classic Chimney Flat Panel Valance



Plain
32" High
WHCCFPV301932 .P
WHCCFPV361932 .P
WHCCFPV362432 .P
WHCCFPV422432 .P

Plain
44" High
WHCCFPV301944 .P
WHCCFPV361944 .P
WHCCFPV362444 .P
WHCCFPV422444 .P

Plain
56" High
WHCCFPV301956 .P
WHCCFPV361956 .P
WHCCFPV362456 .P
WHCCFPV422456 .P

PE
❖ APC
APFC
FPEB
MI
DE
CW
RD
ID
CH
XS
XSG
GD

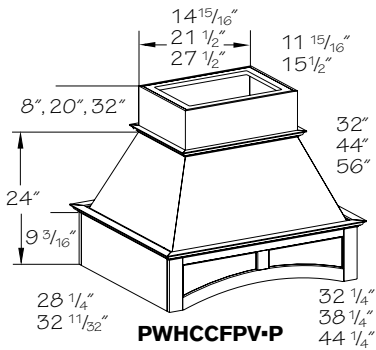
- Solid wood/wood veneer construction
- Check local building codes for required clearances between the Wall Hood and cooking surface
- A 3" space is recommended on the right and left side of this unit before beginning the adjacent cabinet runs
- 32" high hoods are designed for use with 8 foot ceilings
- 44" high hoods are designed for use with 9 ft. ceilings
- 56" high hoods are designed for use with 10 ft. ceilings
- Decorative molding matches Soffit Crown Molding profile (SCM8)
- Chimney section shipped separately
- Quartersawn door styles are supplied plain sawn
- Painted hardwood supplied for EverCore® and Thermofoil
- **Not** designed to be used with a soffit
- **Not** available in High-Gloss Foil or Wood-Grain Foil door styles
- 19" deep requires Wall Hood Component Package "J", located before the Wall Hood Designs in this section
- 24" deep requires Wall Hood Component Package "G" or "P", located before the Wall Hood Designs in this section
- **Note:** Cabinetry and appliances located below these Wall Hoods **must** be pulled to a minimum of 27" deep and a maximum of 30" deep for improved function
- **Note:** Wall Hood **must** be securely anchored to wall

Opening Sizes				
Cabinet	Top Width	Top Depth	Bottom Width	Bottom Depth
WHCCFPV30	8"	7 9/16"	28 3/8"	18 3/8"
WHCCFPV36	14 9/16"	10 3/4"	34 3/4"	21 1/8"
WHCCFPV42	20 1/2"	10 3/4"	40 3/4"	21 1/8"



A Wall Hood Classic Chimney Flat Panel Valance coordinates best with flat panel door styles. It may **not** match the door exactly, but will blend into the design and enhance the appearance of the entire room.

Peninsula Wall Hood Classic Chimney Flat Panel Valance



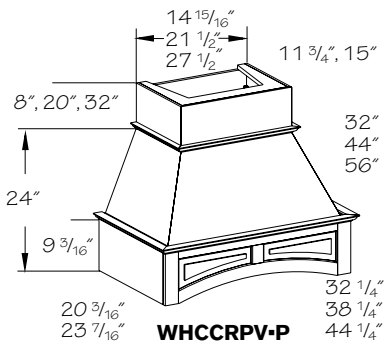
- Plain
32" High
PWHCCFPV302832 .P
PWHCCFPV363332 .P
PWHCCFPV423332 .P
- Plain
44" High
PWHCCFPV302844 .P
PWHCCFPV363344 .P
PWHCCFPV423344 .P
- Plain
56" High
PWHCCFPV302856 .P
PWHCCFPV363356 .P
PWHCCFPV423356 .P

Opening Sizes				
Cabinet	Top Width	Top Depth	Bottom Width	Bottom Depth
PWHCCFPV30	7 15/16"	6 15/16"	28 3/8"	24 1/2"
PWHCCFPV36	14 1/2"	10 1/2"	34 3/8"	28 1/2"
PWHCCFPV42	20 1/2"	10 1/2"	40 3/8"	28 1/2"

- Solid wood/wood veneer construction
- Check local building codes for required clearances between the Wall Hood and cooking surface
- A 3" space is recommended on the right and left side of this unit before beginning the adjacent cabinet runs
- 32" high hoods are designed for use with 8 foot ceilings
- 44" high hoods are designed for use with 9 ft. ceilings
- 56" high hoods are designed for use with 10 ft. ceilings
- Decorative molding matches Soffit Crown Molding profile (SCM8)
- Chimney section shipped separately
- **Not** designed to be used with a soffit
- Quartersawn door styles are supplied plain sawn
- Painted hardwood supplied for EverCore® and Thermofoil
- **Not** available in High-Gloss Foil or Wood-Grain Foil door styles
- 30" wide requires Wall Hood Component Package "K", located before the Wall Hood Designs in this section
- 36"-42" wide requires Wall Hood Component Package "H" or "O", located before the Wall Hood Designs in this section
- **Note:** Cabinetry and appliances located below these Wall Hoods **must** be pulled to a minimum of 27" deep and a maximum of 30" deep for improved function
- **Note:** Wall hood **must** be securely anchored to ceiling

PE
❖ APC
APFC
FPEB
MI
DE
CW
RD
ID
CH
XS
XSG
GD

Wall Hood Classic Chimney Raised Panel Valance



- Plain
32" High
WHCCRPV301932 .P
WHCCRPV361932 .P
WHCCRPV362432 .P
WHCCRPV422432 .P
- Plain
44" High
WHCCRPV301944 .P
WHCCRPV361944 .P
WHCCRPV362444 .P
WHCCRPV422444 .P
- Plain
56" High
WHCCRPV301956 .P
WHCCRPV361956 .P
WHCCRPV362456 .P
WHCCRPV422456 .P

Opening Sizes				
Cabinet	Top Width	Top Depth	Bottom Width	Bottom Depth
WHCCRPV30	8"	7 9/16"	28 5/8"	18 5/16"
WHCCRPV36	14 9/16"	10 3/4"	34 5/8"	21 9/16"
WHCCRPV42	20 1/2"	10 3/4"	40 5/8"	21 9/16"

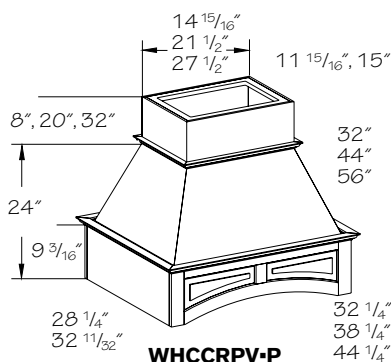
- Solid wood/wood veneer construction
- A 3" space is recommended on the right and left side of this unit before beginning the adjacent cabinet runs
- Decorative molding matches Soffit Crown Molding profile (SCM8)
- Chimney section shipped separately
- **Not** designed to be used with a soffit
- Quartersawn door styles are supplied plain sawn
- Painted hardwood supplied for EverCore® and Thermofoil
- **Not** available in High-Gloss Foil or Wood-Grain Foil door styles
- 19" deep requires Wall Hood Component Package "J", located before the Wall Hood Designs in this section
- 24" deep requires Wall Hood Component Package "G" or "P", located before the Wall Hood Designs in this section
- **Note:** Cabinetry and appliances located below these Wall Hoods **must** be pulled to a minimum of 27" deep and a maximum of 30" deep for improved function
- **Note:** Wall Hood **must** be securely anchored to wall

PE
❖ APC
APFC
FPEB
MI
DE
CW
RD
ID
CH
XS
XSG
GD



The Wall Hood Classic Chimney Raised Panel Valance includes a representative raised panel profile that blends with most raised panel door styles. It may **not** match the chosen door style exactly. Consider designing in a valance on the adjacent wall of the cooking area to coordinate with this style hood.

Peninsula Wall Hood Classic Chimney Raised Panel Valance



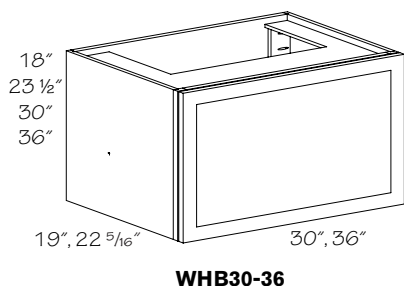
- Plain
32" High
PWHCCRVPV302832 .P
PWHCCRVPV363332 .P
PWHCCRVPV423332 .P
- Plain
44" High
PWHCCRVPV302844 .P
PWHCCRVPV363344 .P
PWHCCRVPV423344 .P
- Plain
56" High
PWHCCRVPV302856 .P
PWHCCRVPV363356 .P
PWHCCRVPV423356 .P

Opening Sizes				
Cabinet	Top Width	Top Depth	Bottom Width	Bottom Depth
PWHCCRVPV30	7 1/4"	6 1/4"	28 3/4"	24 1/2"
PWHCCRVPV36	14 1/2"	10 1/2"	34 3/4"	28 1/2"
PWHCCRVPV42	20 1/2"	10 1/2"	40 3/4"	28 1/2"

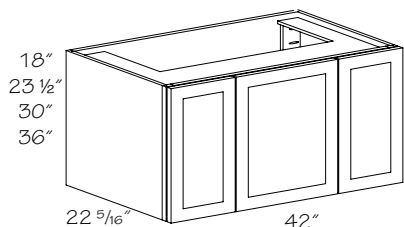
- Solid wood/wood veneer construction
- Check local building codes for required clearances between the Wall Hood and cooking surface
- A 3" space is recommended on the right and left side of this unit before beginning the adjacent cabinet runs
- 32" high hoods are designed for use with 8 foot ceilings
- Decorative molding matches Soffit Crown Molding profile (SCM8)
- Chimney section shipped separately
- **Not** designed to be used with a soffit
- **Not** available in Wood-Grain Foil door styles
- Quartersawn door styles are supplied plain sawn
- Painted hardwood supplied for EverCore® and Thermofoil
- 30" wide requires Wall Hood Component Package "K", located before the Wall Hood Designs in this section
- 36"-42" wide requires Wall Hood Component Package "H" or "O", located before the Wall Hood Designs in this section
- **Note:** Cabinetry and appliances located below these Wall Hoods **must** be pulled to a minimum of 27" deep and a maximum of 30" deep for improved function
- **Note:** Wall hood **must** be securely anchored to ceiling

PE
❖ APC
APFC
FPEB
MI
DE
CW
RD
ID
CH
XS
XSG
GD

Wall Hood Box



WHB30-36



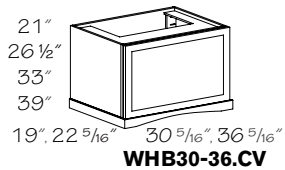
WHB42

- 18" High
WHB301818
WHB361818
WHB362118
WHB422118
- 23 1/2" High
WHB301824
WHB361824
WHB362124
WHB422124
- 30" High
WHB301830
WHB361830
WHB362130
WHB422130
- 36" High
WHB301836
WHB361836
WHB362136
WHB422136

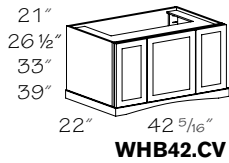
- Solid wood/wood veneer construction
- Thermofoils are painted hardwood
- All door styles will default to full overlay
- Doors are attached by false front clips. **Not** operational
- Designed to align with top of adjacent cabinets
- 30" and 36" wide hoods have a single door panel
- 42" wide hoods have three door panels
- 19" deep (18" nominal) requires Wall Hood Component Package "J", located before the Wall Hood Designs in this section
- 22 5/16" deep (21" nominal) requires Wall Hood Component Package "G" or "P", located before the Wall Hood Designs in this section
- Check local building codes for required clearances between the Wall Hood and cooking surface
- The 18" high Wall Hood Box will require a soffit or a molding box application to house the duct work for the blower unit
- **Not** available in Harmond door styles
- **Note:** Square doors will be supplied when ordered in arched door styles
- **Note:** Cabinetry and appliances located below these Wall Hoods **must** be pulled to a minimum of 27" deep and a maximum of 30" deep for improved function

PE
APC
❖ APFC
FPEB
MI
DE
CW
RD
ID
CH
XS
XSG
GD

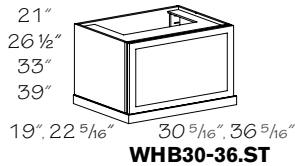
Wall Hood Box Valance



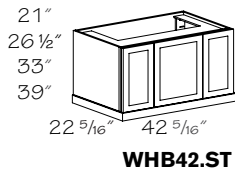
Cove Valance
21" High
WHB301821 .CV
WHB361821 .CV
WHB362121 .CV
WHB422121 .CV



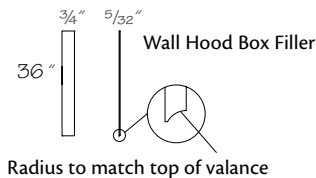
Cove Valance
26 1/2" High
WHB301827 .CV
WHB361827 .CV
WHB362127 .CV
WHB422127 .CV



Cove Valance
33" High
WHB301833 .CV
WHB361833 .CV
WHB362133 .CV
WHB422133 .CV



Cove Valance
39" High
WHB301839 .CV
WHB361839 .CV
WHB362139 .CV
WHB422139 .CV



Straight Valance
21" High
WHB301821 .ST
WHB361821 .ST
WHB362121 .ST
WHB422121 .ST

Straight Valance
26 1/2" High
WHB301827 .ST
WHB361827 .ST
WHB362127 .ST
WHB422127 .ST

Straight Valance
33" High
WHB301833 .ST
WHB361833 .ST
WHB362133 .ST
WHB422133 .ST

Straight Valance
39" High
WHB301839 .ST
WHB362139 .ST
WHB361839 .ST
WHB422139 .ST

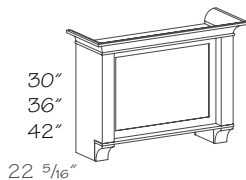
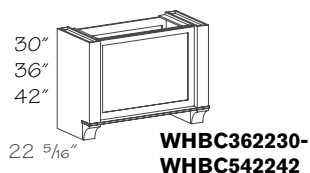
- Solid wood/wood veneer construction
- Thermofolds are painted hardwood
- All door styles will default to full overlay
- Doors are attached by false front clips. **Not** operational
- Designed to align with top of adjacent cabinets
- Valance adds 3" to overall height and 5/32" width to both sides
- Valances will be supplied in plain-sawn material for Quartersawn Cherry and Quartersawn Maple door styles
- Includes (2) Wall Hood Box Fillers, shipped separately
- 30 5/16" and 36 5/16" wide hoods have a single door panel
- 42 5/16" wide hoods have three door panels
- 19" deep (18" nominal) requires Wall Hood Component Package "J", located before the Wall Hood Designs in this section
- 22 5/16" deep (21" nominal) requires Wall Hood Component Package "G" or "P", located before the Wall Hood Designs in this section
- Check local building codes for required clearances between the Wall Hood and cooking surface
- Filler strips are used when butting adjacent cabinets against the Wall Hood Box. Fillers **must** be used in this application to avoid gaps between cabinet boxes
- **Not** available in Harmond door styles
- **Note:** Square doors will be supplied when ordered in arched door styles
- **Note:** Cabinetry and appliances located below these Wall Hoods **must** be pulled to a minimum of 27" deep and a maximum of 30" deep for improved function



The Wall Hood Box Filler should be used when installing the hood box between two wall cabinets

PE
APC
APFC
FPEB
MI
DE
CW
RD
ID
CH
XS
XSG
GD

Wall Hood Box w/Columns & Wall Hood Box w/Columns w/Extra Large Cove Top Plate



**WHBC362230-XLCVM-
WHBC542242-XLCVM**

Without Top Plate

- WHBC362230**
- WHBC422230**
- WHBC482230**
- WHBC542230**
- WHBC362236**
- WHBC422236**
- WHBC482236**
- WHBC542236**
- WHBC362242**
- WHBC422242**
- WHBC482242**
- WHBC542242**

With Top Plate

- WHBC362230 .XLCVM**
- WHBC422230 .XLCVM**
- WHBC482230 .XLCVM**
- WHBC542230 .XLCVM**
- WHBC362236 .XLCVM**
- WHBC422236 .XLCVM**
- WHBC482236 .XLCVM**
- WHBC542236 .XLCVM**
- WHBC362242 .XLCVM**
- WHBC422242 .XLCVM**
- WHBC482242 .XLCVM**
- WHBC542242 .XLCVM**

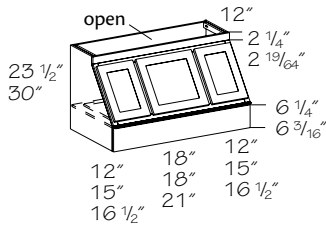
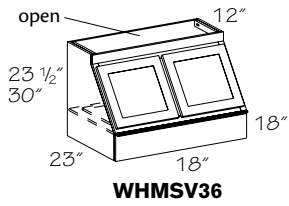
- **Not** available in mitered door styles, quartersawn door styles, rustic door styles, EverCore® door styles, slab door styles, and all High-gloss foil, Thermofoil or Wood-Grain foil door styles
- Solid wood/wood veneer construction
- Front panel designed to coordinate with the selected door style
- Check local building codes for required clearances between the Wall Hood and cooking surface
- 36" wide cabinet requires Wall Hood Component Package "T"
- 42", 48" and 54" cabinets require Wall Hood Component Package "R" or "S"
- Front panel is removable to facilitate duct installation and wiring
- Top molding on Wall Hood Box w/Columns w/Extra Large Cove Molding matches Extra Large Cove Molding (XLCVM8)
- Molding top plate of Wall Hood Box w/Columns w/Extra Large Cove Top Plate adds 6 3/4" to the width, 3 3/8" to the depth and 4 1/2" to the height
- **Note:** Cabinetry and appliances located below these Wall Hoods **must** be pulled to a minimum of 27" deep and a maximum of 30" deep for improved function

PE
❖ APC
APFC
FPEB
MI
DE
CW
RD
ID
CH
XS
XSG
GD

Opening Sizes

Cabinet	Top Width	Top Depth	Bottom Width	Bottom Depth
WHBC362230	21 1/16"	17 3/4"	21 1/16"	17 3/4"
WHBC422230	27 1/16"	17 3/4"	27 1/16"	17 3/4"
WHBC482230	33 1/16"	17 3/4"	33 1/16"	17 3/4"
WHBC542230	39 1/16"	17 3/4"	39 1/16"	17 3/4"
WHBC362236	21 1/16"	17 3/4"	21 1/16"	17 3/4"
WHBC422236	27 1/16"	17 3/4"	27 1/16"	17 3/4"
WHBC482236	33 1/16"	17 3/4"	33 1/16"	17 3/4"
WHBC542236	39 1/16"	17 3/4"	39 1/16"	17 3/4"
WHBC362242	21 1/16"	17 3/4"	21 1/16"	17 3/4"
WHBC422242	27 1/16"	17 3/4"	27 1/16"	17 3/4"
WHBC482242	33 1/16"	17 3/4"	33 1/16"	17 3/4"
WHBC542242	39 1/16"	17 3/4"	39 1/16"	17 3/4"

Wall Hood Matching Straight Valance



23 1/2" High

WHMSV3624

WHMSV4224

WHMSV4824

WHMSV5424

30" High

WHMSV3630

WHMSV4230

WHMSV4830

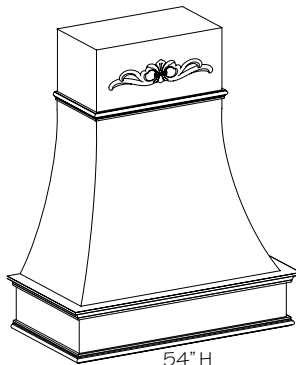
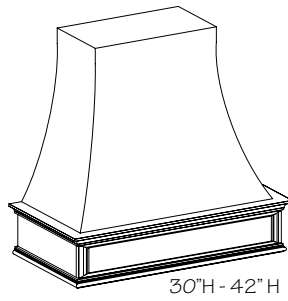
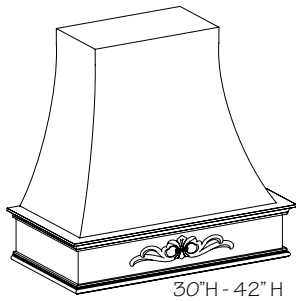
WHMSV5430

- Solid wood/wood veneer construction
- 23 1/2" high units are designed to align with 90" cabinets
- 30" high hoods are designed to align with 96" high cabinets
- Will accept optional onlays, ordered separately; see Molding Accents section
- Check local building codes for required clearances between the Wall Hood and cooking surface
- Requires Wall Hood Component Package "G", located before the Wall Hood Designs in this section
- Doors open to facilitate duct installation and wiring
- Thermofoils are painted hardwood
- Quartersawn door styles are supplied plain sawn
- **Note:** Wall Hood **must** be installed between two cabinets
- **Note:** Cabinetry and appliances located below these Wall Hoods **must** be pulled to a minimum of 27" deep and a maximum of 30" deep for improved function

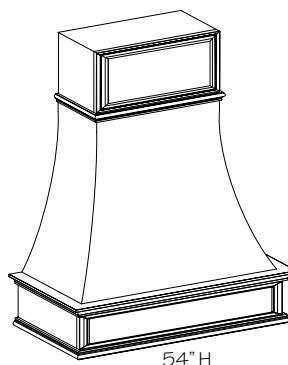
PE
APC
APFC
FPEB
MI
DE
CW
RD
ID
CH
XS
XSG
GD

Cabinet	Opening Sizes					
	Top Width	Top Depth	Bottom Width	Bottom Depth	Floor Opening Width	Floor Opening Depth
WHMSV36	33 1/8"	10 1/16"	34 3/8"	21 1/16"	29 1/8"	17"
WHMSV42	39 1/8"	10 1/16"	40 3/8"	21 1/16"	29 1/8"	17"
WHMSV48	45 1/8"	10 1/16"	46 3/8"	21 1/16"	29 1/8"	17"
WHMSV54	51 1/8"	10 1/16"	52 3/8"	21 1/16"	29 1/8"	17"

Wall Hood Cove Application



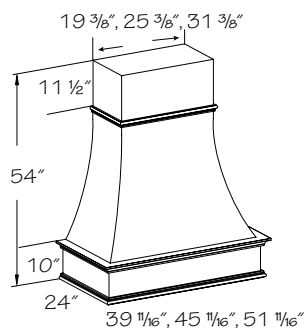
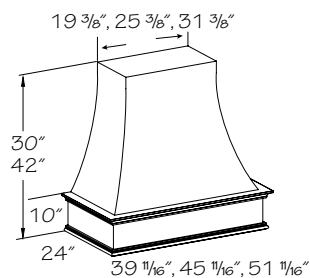
Onlays



Drawer Front Panels

- Make the cooking area a dramatic focal point by adding a drawer front, appliance panel, molding or onlay to the cove hood to create architectural interest
- Decorate the front apron of the hood with a drawer front to add architectural interest from our Decorative Appliance Panel section
- Customize the 12" H cap on the 54" H units with a molding stack, custom appliance panel used as wainscot, or a decorative onlay
- Don't forget to trim out the top of your hood with the same top molding you are using for the wall cabinets in your kitchen

Wall Hood Cove



30" High
WHCV362430
WHCV422430
WHCV482430

42" High
WHCV362442
WHCV422442
WHCV482442

54" High
 * **WHCV362454**
 * **WHCV422454**
 * **WHCV482454**

* 54" Cove Hood will have trim molding approximately 12" from the top of the chimney

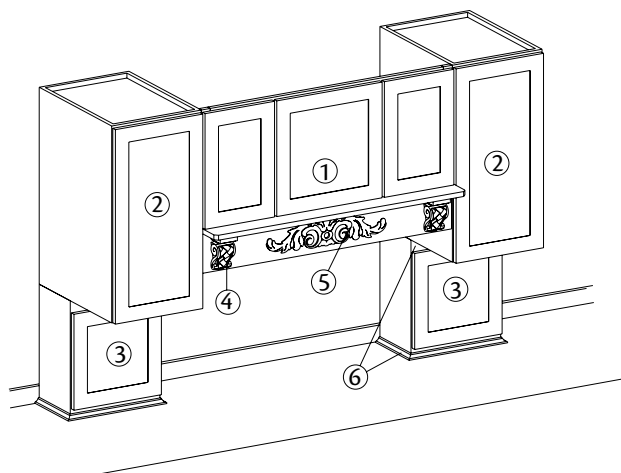
PE
❖ APC
APFC
FPEB
MI
DE
CW
RD
ID
CH
XS
XSG
GD

- Small Cove Casing (SCVCS) used with top component
- Available in Cherry, EverCore®, Thermofoil, Maple and Wood-Grain Foil door styles only
- Painted hardwood supplied for EverCore®
- Painted or Stained hardwood supplied for Wood-Grain Foil door styles
- Solid wood/wood veneer construction
- Check local building codes for required clearances between the Wall Hood and cooking surface
- Requires Wall Hood Component Package "G" or "P", located before the Wall Hood Designs in this section
- A 3" space is recommended on the right and left side of this unit before beginning the adjacent cabinet runs
- 30" high hoods are designed for use with 8 ft. ceilings
- 42" high hoods are designed for use with 9 ft. ceilings
- 54" high hoods are designed for use with 10 ft. ceilings
- Decorative molding on top matches Small Cove Molding profile (SCVM8). Bottom molding matches Cove Light Rail profile (CVLR8)
- Chimney section shipped separately
- Recirculating component packages are **not** available
- **Not** designed to be used with a soffit
- **Note:** Cabinetry and appliances located below these Wall Hoods **must** be pulled to a minimum of 27" deep and a maximum of 30" deep for improved function
- **Note:** Wall Hood **must** be securely anchored to wall

Opening Sizes				
Cabinet	Top Width	Top Depth	Bottom Width	Bottom Depth
WHCV36	12 13/16"	10 3/4"	34 1/2"	21 5/8"
WHCV42	18 13/16"	10 3/4"	40 1/2"	21 5/8"
WHCV48	24 13/16"	10 3/4"	46 1/2"	21 5/8"

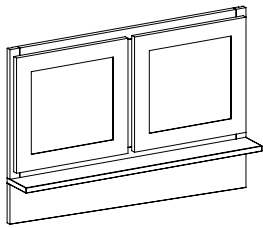
Surface Area Dimensions for Decorative Onlay Application				
Cabinet	Front Width	Front Height	Side Width	Side Height
WHCV36	36"	6 3/8"	22 1/4"	6 3/8"
WHCV42	42"	6 3/8"	22 1/4"	6 3/8"
WHCV48	48"	6 3/8"	22 1/4"	6 3/8"

Wall Hood Mantle Matching Application

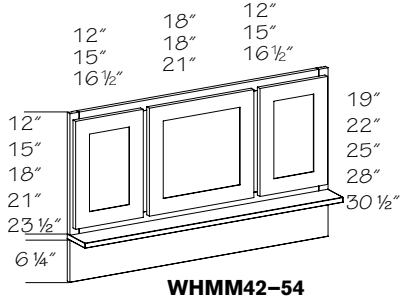


1. Wall Hood Mantle Matching (WHMM)
 2. Wall Hood Mantle Cabinet (WHMC)
 3. Under Cabinet Door Storage (UCDS)
 4. Corbels
 5. Onlay
 6. 3" rails allow for molding application at top or bottom of Under Cabinet Door Storage
- Gain a "Mantle" style appearance in your kitchen design while maximizing your storage
- Personalize the design by incorporating molding and companion onlays to enhance the cooking focal point of the kitchen
 - Wall Hood Mantle Cabinets **must** be used to support the hood. The increased overall depth makes a "bump-out" focal point that is easy to design
 - 18" deep Wall Hood Mantle Cabinets are to be used with 30"-36" Wall Hood Mantle Matching (WHMM) units only. Larger units will **not** ventilate properly
 - Add an LED Lighting Kit near the front, beneath the Wall Hood Mantle Cabinets (B) to highlight lower storage
 - Create a hearth surround for the cooking area in your kitchen with components that work as a system for 84", 87", 90", 93" and 96" high cabinetry designs

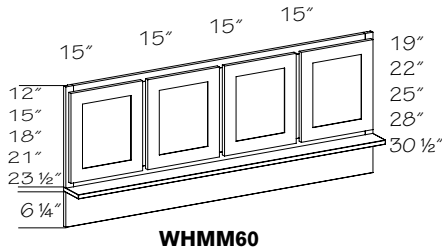
Wall Hood Mantle Matching




- 19" High**
- WHMM3019**
 - WHMM3619**
 - WHMM4219**
 - WHMM4819**
 - WHMM5419**
 - WHMM6019**
- 22" High**
- WHMM3022**
 - WHMM3622**
 - WHMM4222**
 - WHMM4822**
 - WHMM5422**
 - WHMM6022**



- 25" High**
- WHMM3025**
 - WHMM3625**
 - WHMM4225**
 - WHMM4825**
 - WHMM5425**

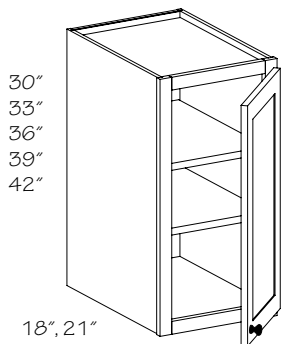


 Choose the Wall Hood Mantel Matching when you prefer a larger, wider focal point that matches your chosen door style. Personalize the front shelf area with an onlay or corbel. Personalize the design by incorporating companion onlays to enhance the cooking focal point of the kitchen

- Solid wood/wood veneer construction
- No end panels, **must** be supported on each side by Wall Hood Mantle Cabinet or Wall Column
- 3/4" thick, 4 1/4" deep solid wood shelf
- 19" high hoods are designed to be set 29" above the cooking surface (84" ceiling)
- 22" high hoods are designed to be set 29" above the cooking surface (87" ceiling)
- 25" high hoods are designed to be set 29" above the cooking surface (90" ceiling)
- 28" high hoods are designed to be set 29" above the cooking surface (93" ceiling)
- 30 1/2" high hoods are designed to be set 29 1/2" above the cooking surface (96" ceiling)
- 30" and 36" wide used at 18" depth requires Wall Hood Component Package "L", located before the Wall Hood Designs in this section. Component package "L" is available for 18" deep hoods only
- 36"-60" wide used at 21" deep will use Wall Hood Component Package "I" or "Q", located before the Wall Hood Designs in this section
- Doors open to facilitate duct installation and wiring
- Will accept optional onlays, ordered separately; see Molding Accents section
- Thermofoils are painted hardwood
- Quartersawn door styles are supplied plain sawn
- **Note:** Cabinetry and appliances located below these Wall Hoods **must** be pulled to a minimum of 27" deep and a maximum of 30" deep for improved function

PE
◆ APC
◆ APFC
◆ FPFB
◆ MI
◆ DE
◆ CW
◆ RD
◆ ID
◆ CH
◆ XS
◆ XSG
◆ GD

Wall Hood Mantle Cabinet

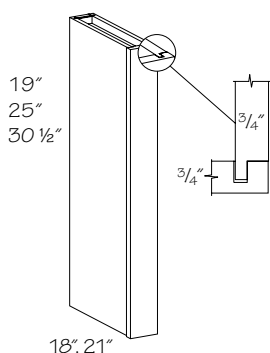


- Two Shelves**
30" High
- WHMC121830 R or L**
 - WHMC151830 R or L**
 - WHMC181830 R or L**
 - WHMC122130 R or L**
 - WHMC152130 R or L**
 - WHMC182130 R or L**
- Two Shelves**
33" High
- WHMC121833 R or L**
 - WHMC151833 R or L**
 - WHMC181833 R or L**
 - WHMC122133 R or L**
 - WHMC152133 R or L**
 - WHMC182133 R or L**
- Three Shelves**
39" High
- WHMC121839 R or L**
 - WHMC151839 R or L**
 - WHMC181839 R or L**
 - WHMC122139 R or L**
 - WHMC152139 R or L**
 - WHMC182139 R or L**
- Three Shelves**
42" High
- WHMC121842 R or L**
 - WHMC151842 R or L**
 - WHMC181842 R or L**
 - WHMC122142 R or L**
 - WHMC152142 R or L**
 - WHMC182142 R or L**
- Three Shelves**
36" High
- WHMC121836 R or L**
 - WHMC151836 R or L**
 - WHMC181836 R or L**
 - WHMC122136 R or L**
 - WHMC152136 R or L**
 - WHMC182136 R or L**

- Specify R or L for single door hinging
- Additional support required
- 18" deep Wall Hood Mantle Cabinets are to be used with 30"-36" Wall Hood Mantle Matching (WHMM) units only. Larger units will **not** ventilate properly
- Thermofoils are painted hardwood
- Bottom door is always square
- Void All Door and Drawer Front option (VDA) is **not** available
- ☆ APFC standard when APC option is selected

PE
● APC
☆ APFC
◆ FPFB
● MI
● DE
◆ CW
◆ RD
◆ ID
◆ CH
● XS
● XSG
● GD

Wall Hood Mantle Column

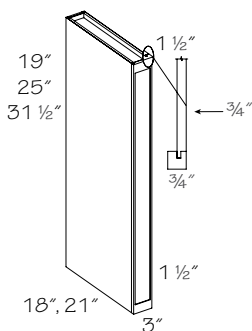


- 19" High
WC31819
WC32119
- 25" High
WC31825
WC32125
- 31" High
WC31831
WC32131

- Front is 3/4" solid wood
 - Quartersawn Oak door styles have 3/4" solid quartersawn wood front and quartersawn wood veneer end panels
 - Painted hardwood supplied for EverCore®
 - Plain sawn material supplied for Bristow Crafted door styles
 - Finished front and both sides
 - Reversible, may be used on either right or left end
 - Foil-wrapped MDF supplied for Wood-Grain Foil door styles
- ☆ APFC standard when APC option is selected

PE
● APC
☆ APFC
❖ FPEB
MI
DE
CW
● RD
● ID
● CH
XS
XSG
GD

Wall Hood Mantle Column–Sterling

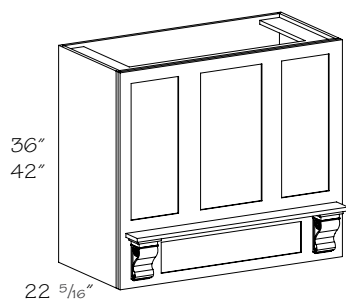


- 19" High
STWC31819
STWC32119
- 25" High
STWC31825
STWC32125
- 31 1/2" High
STWC31831
STWC32131

- Front is 3/4" solid wood
 - Available in Cherry, EverCore®, Maple, Rustic Alder and Wood-Grain Foil door styles only
 - Painted hardwood supplied for EverCore®
 - Painted hardwood supplied for Wood-Grain Foil door styles; only available in white
 - Finished front and both sides
 - Reversible, may be used on either right or left end
- ☆ APFC standard when APC option is selected

PE
● APC
☆ APFC
❖ FPEB
MI
DE
CW
● RD
● ID
● CH
XS
XSG
GD

Wall Hood Cabinet Run - Rosette Corbel

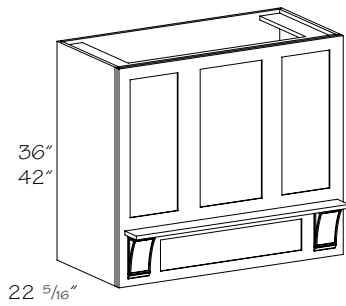


- 36" High
WHCR422236 .RC
WHCR482236 .RC
WHCR542236 .RC
- 42" High
WHCR422242 .RC
WHCR482242 .RC
WHCR542242 .RC

- **Not** available in Evercore®, Hickory, mitered quartersawn, rustic, slab, and all foil door styles
- Solid wood/wood veneer construction
- Front panel designed to coordinate with the selected door style
- Requires Wall Hood Component Package "G" or "P"
- Front panel is removable to facilitate duct installation and wiring
- Rosette Corbel design also sold separately
- Weight capacity of 10 lbs.
- **Note:** Cabinetry and appliances located below these Wall Hoods should be pulled to a min. of 27" deep and a max. of 30" deep for improved function
- Square design will be supplied when ordered in Roman door styles

PE
❖ APC
APFC
FPEB
MI
DE
CW
RD
ID
CH
XS
XSG
GD

Wall Hood Cabinet Run - Sterling Corbel



36" High

WHCR422236 .SC**WHCR482236 .SC****WHCR542236 .SC**

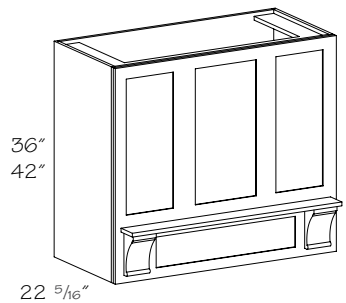
42" High

WHCR422242 .SC**WHCR482242 .SC****WHCR542242 .SC**

- **Not** available in Evercore®, Hickory, mitered quartersawn, rustic, slab, and all foil door styles
- Solid wood/wood veneer construction
- Front panel designed to coordinate with the selected door style
- Requires Wall Hood Component Package "G" or "P"
- Front panel is removable to facilitate duct installation and wiring
- Sterling Corbel design also sold separately
- Weight capacity of 10 lbs.
- Square design will be supplied when ordered in Roman door styles
- **Note:** Cabinetry and appliances located below these Wall Hoods **must** be pulled to a minimum of 27" deep and a maximum of 30" deep for improved function

PE
❖ APC
APFC
FPEB
MI
DE
CW
RD
ID
CH
XS
XSG
GD

Wall Hood Cabinet Run - Transitional Corbel



36" High

WHCR422236 .TRC**WHCR482236 .TRC****WHCR542236 .TRC**

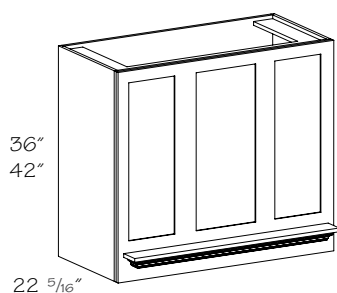
42" High

WHCR422242 .TRC**WHCR482242 .TRC****WHCR542242 .TRC**

- **Not** available in Evercore®, Hickory, mitered quartersawn, rustic, slab, and all foil door styles
- Solid wood/wood veneer construction
- Front panel designed to coordinate with the selected door style
- Requires Wall Hood Component Package "G" or "P"
- Front panel is removable to facilitate duct installation and wiring
- Transitional Corbel design also sold separately
- Weight capacity of 10 lbs.
- Square design will be supplied when ordered in Roman door styles
- **Note:** Cabinetry and appliances located below these Wall Hoods **must** be pulled to a minimum of 27" deep and a maximum of 30" deep for improved function

PE
❖ APC
APFC
FPEB
MI
DE
CW
RD
ID
CH
XS
XSG
GD

Wall Hood Cabinet Run - Shelf w/Classic Crown Molding



30" High

WHCR362230 .CCM
WHCR422230 .CCM
WHCR482230 .CCM
WHCR542230 .CCM

36" High

WHCR362236 .CCM
WHCR422236 .CCM
WHCR482236 .CCM
WHCR542236 .CCM

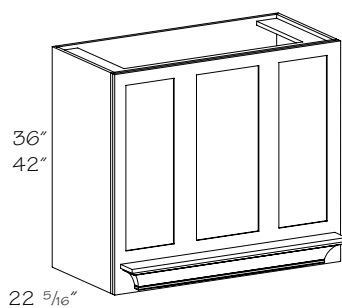
42" High

WHCR362242 .CCM
WHCR422242 .CCM
WHCR482242 .CCM
WHCR542242 .CCM

- **Not** available in Evercore®, Hickory, mitered quartersawn, rustic, slab, and all foil door styles
- Solid wood/wood veneer construction
- Front panel designed to coordinate with the selected door style
- Requires Wall Hood Component Package "G" or "P"
- Front panel is removable to facilitate duct installation and wiring
- Shelf molding matches Classic Crown Molding (CCM8)
- Weight capacity of 10 lbs.
- Square design will be supplied when ordered in Roman door styles
- **Note:** Cabinetry and appliances located below these Wall Hoods **must** be pulled to a minimum of 27" deep and a maximum of 30" deep for improved function

PE
❖ APC
APFC
FPEB
MI
DE
CW
RD
ID
CH
XS
XSG
GD

Wall Hood Cabinet Run - Shelf w/Extra Large Cove Molding



30" High

WHCR362230 .XLCVM
WHCR422230 .XLCVM
WHCR482230 .XLCVM
WHCR542230 .XLCVM

36" High

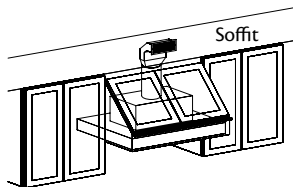
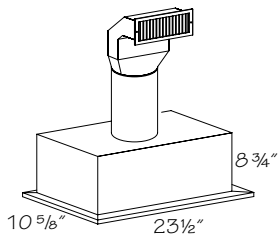
WHCR362236 .XLCVM
WHCR422236 .XLCVM
WHCR482236 .XLCVM
WHCR542236 .XLCVM

42" High

WHCR362242 .XLCVM
WHCR422242 .XLCVM
WHCR482242 .XLCVM
WHCR542242 .XLCVM

- **Not** available in Evercore®, Hickory, mitered quartersawn, rustic, slab, and all foil door styles
- Solid wood/wood veneer construction
- Front panel designed to coordinate with the selected door style
- Requires Wall Hood Component Package "G" or "P"
- Front panel is removable to facilitate duct installation and wiring
- Shelf molding matches Extra Large Cove Molding
- 36" wide units will have a single panel
- Weight capacity of 10 lbs.
- Square design will be supplied when ordered in Roman door styles
- **Note:** Cabinetry and appliances located below these Wall Hoods **must** be pulled to a minimum of 27" deep and a maximum of 30" deep for improved function

PE
❖ APC
APFC
FPEB
MI
DE
CW
RD
ID
CH
XS
XSG
GD



Example of installation when soffit is present

Wall Hood Component Package (A, B & C)–Recirculating

Package "A"

RHCP30 R .SN
RHCP36 R .SN

Package "B"

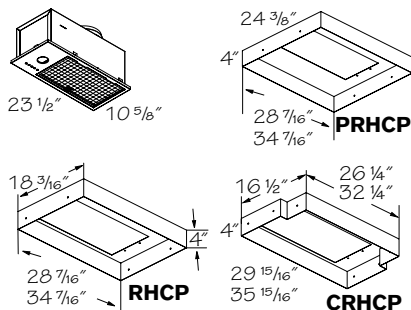
CRHCP30 R .SN
CRHCP36 R .SN

Package "C"

PRHCP30 R .SN
PRHCP36 R .SN

- This unit includes a satin nickel colored metal liner, and an easy to clean aluminum mesh filter. This is powered by a 390 CFM squirrel cage fan and has push button controls.
- This unit comes with two feet of 7" round ductwork, a 90° elbow, charcoal filter and grille with white vent
- Requires a 50 watt, 120 volt halogen lamp (MR16 GU10 base) which are available at hardware or lighting retailers

Wall Hood Component Package (D, E & F)–Vented



Package "D"

RHCP30 V .SN Satin Nickel
RHCP36 V .SN Satin Nickel

Package "E"

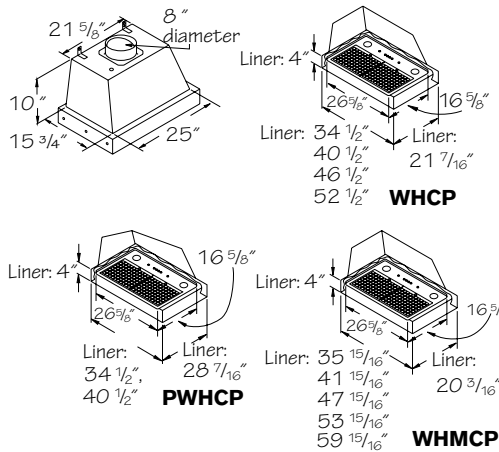
CRHCP30 V .SN Satin Nickel
CRHCP36 V .SN Satin Nickel

Package "F"

PRHCP30 V .SN Satin Nickel
PRHCP36 V .SN Satin Nickel

- This unit includes metal liner, and an easy to clean aluminum mesh filter. This is powered by a 390 CFM squirrel cage fan and has push button controls. 7" round duct vents on top
- Requires a 50 watt, 120 volt halogen lamp (MR16 GU10 base) which are available at hardware or lighting retailers

Wall Hood Component Package (G, H & I)–Vented



Package "G"

WHCP3624 V
WHCP4224 V
WHCP4824 V
WHCP5424 V

Package "H"

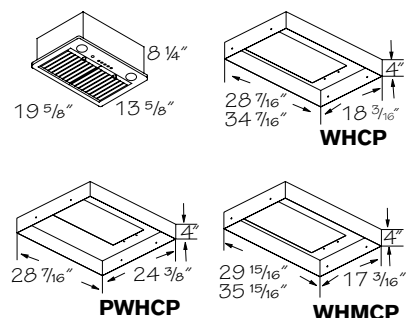
PWHCP3633 V
PWHCP4233 V

Package "I"

WHMCP3621 V
WHMCP4221 V
WHMCP4821 V
WHMCP5421 V
WHMCP6021 V

- This unit is used for ducted to exterior installation
- Powered by a 660 CFM 3-speed squirrel cage fan with push button controls
- Requires two 50 watt, 120 volt halogen light bulbs (MR16 GU10 base) which are available at hardware or lighting retailers
- Easy to clean aluminum mesh filter
- Includes stainless steel liner
- Interior of stainless liner is clear, powder coated
- Front panel of blower is covered with a removable protective peel-coat to prevent scratching

Wall Hood Component Package (J, K & L)–Vented



Package "J"

WHCP3019 V
WHCP3619 V

Package "K"

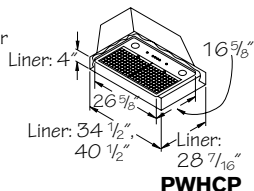
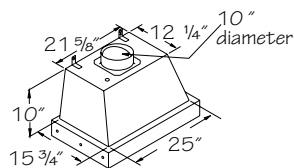
PWHCP3028 V

Package "L"

WHMCP3018 V
WHMCP3618 V

- This unit is used for ducted to exterior installation
- Powered by a 390 CFM squirrel cage fan and has push button controls
- Easy to clean aluminum mesh filter
- Includes stainless steel liner
- Interior of stainless liner is clear, powder coated
- 7" round duct
- Requires two 50 watt, 120 volt halogen light bulbs (MR16 GU10 base) which are available at hardware or lighting retailers
- Front panel of blower is covered with a removable protective peel-coat to prevent scratching

Wall Hood Component Package (O, P, Q)-Vented

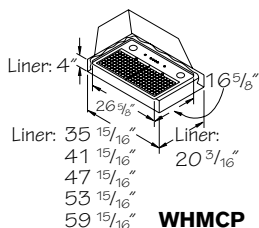
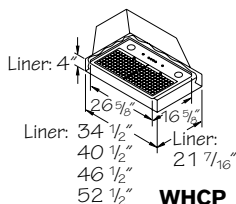


Package "O"
PWHCP3633 V.2
PWHCP4233 V.2

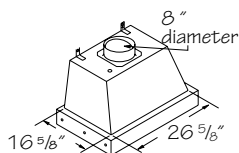
Package "P"
WHCP3624 V.2
WHCP4224 V.2
WHCP4824 V.2
WHCP5424 V.2

Package "Q"
WHMCP3621 V.2
WHMCP4221 V.2
WHMCP4821 V.2
WHMCP5421 V.2
WHMCP6021 V.2

- This unit is used for ducted to exterior installation
- 10" round duct vents on top
- Powered by a 980 CFM 3-speed squirrel cage fan and has push button controls
- Requires two 50 watt, 120 volt halogen light bulbs (MR16 GU10 base) which are available at hardware or lighting retailers
- Easy to clean aluminum mesh filter
- Interior of stainless liner is clear, powder coated
- Front panel of blower is covered with a protective white vinyl to prevent scratching

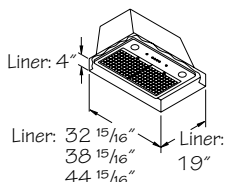


Wall Hood Component Package (R)-Vented

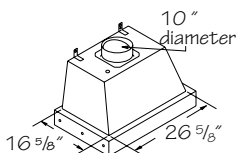


WHCP4222 V
WHCP4822 V
WHCP5422 V

- This unit is used for ducted to exterior installation
- 42, 48 and 54 powered by a 660 CFM squirrel cage fan and has push button controls
- Easy to clean aluminum mesh filter
- Includes stainless steel liner
- Interior of stainless liner is clear, powder coated
- 8" round duct vents on top
- Requires two 50 watt, 120 volt halogen light bulbs (MR16 GU10 base) which are available at hardware or lighting retailers
- Front panel of blower is covered with a removable protective peel-coat to prevent scratching

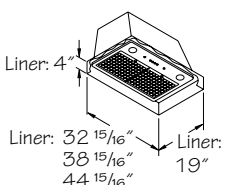


Wall Hood Component Package (S)-Vented

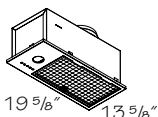


WHCP4222 V.2
WHCP4822 V.2
WHCP5422 V.2

- This unit is used for ducted to exterior installation
- Powered by a 980 CFM squirrel cage fan and has push button controls
- Easy to clean aluminum mesh filter
- Includes stainless steel liner
- Interior of stainless liner is clear, powder coated
- 10" round duct vents on top
- Requires two 50 watt, 120 volt halogen light bulbs (MR16 GU10 base) which are available at hardware or lighting retailers
- Front panel of blower is covered with a removable protective peel-coat to prevent scratching

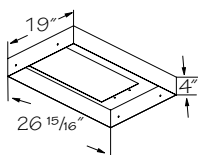


Wall Hood Component Package (T)-Vented

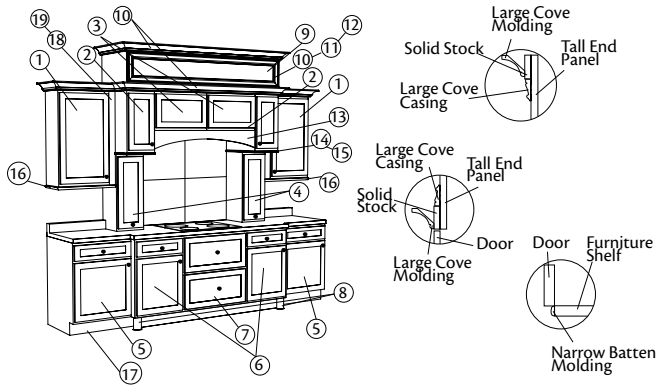


WHCP3622 V

- This unit is used for ducted to exterior installation
- Powered by a 390 CFM squirrel cage fan and has push button controls
- Easy to clean aluminum mesh filter
- Includes stainless steel liner
- Interior of stainless liner is clear, powder coated
- 7" round duct vents on top
- Requires one 50 watt, 120 volt halogen light bulb (MR16 GU10 base) which are available at hardware or lighting retailers
- Front panel of blower is covered with a removable protective peel-coat to prevent scratching

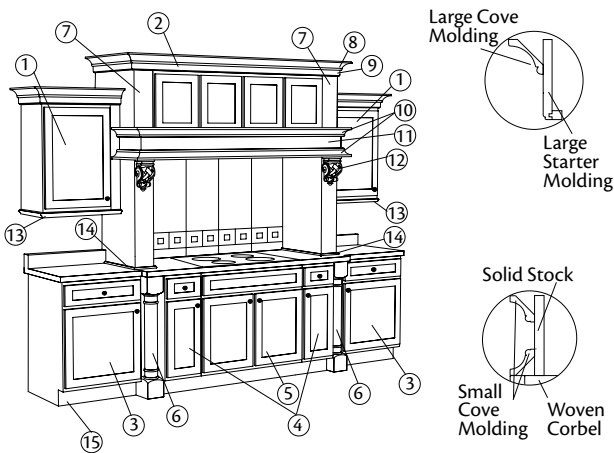


Wall Hood Design Idea 1



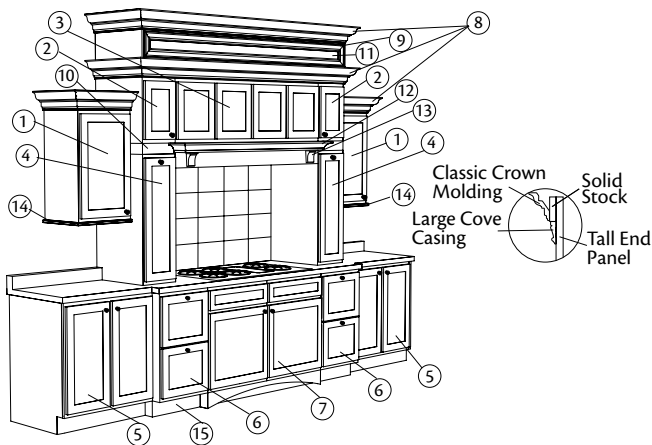
1. Wall Cabinets
2. Wall Cabinets (Increased Depth to 21"; with Furniture Plywood Ends)
3. Wall Top Hinge Cabinets
4. Wall Pantry Pull-out (with Furniture Plywood Ends)
5. Base Cabinets
6. Base Cabinet (pulled to 27"; with Furniture Plywood Ends; Void Toe Kick)
7. Base Pots and Pans Storage (pulled to 27"; Scoop Top Drawer; Void Toe Kick)
8. Aluminum Round Legs
9. Wood Tall End Panel (cut to build box)
10. Large Cove Molding
11. Large Cove Casing
12. Solid Stock
13. Valance-Cove
14. Furniture Shelves
15. Narrow Batten Molding (applied to exposed edges)
16. Cove Light Rail
17. Toe Kick Material
18. Wall Filler
19. Wall Filler Overlay

Wall Hood Design Idea 2



1. Wall Cabinets (with Integrated Extended Stile)
2. Wall Hood Mantle Matching
3. Base Cabinets
4. Base Cabinets (pulled to 27"; with Furniture Plywood Ends)
5. Range Base 27" D
6. Roman Spindle with filler behind
7. Tall Column
8. Large Cove Molding
9. Large Starter Molding
10. Small Cove Molding
11. Solid Stock
12. Woven Corbel
13. Small Cove Light Rail
14. Ogee Edging
15. Toe Kick Material

Wall Hood Design Idea 3



1. Wall Cabinets (ID to 15)
2. Wall Cabinet (ID to 21"; with Furniture Plywood Ends)
3. Wall Hood Mantle Matching
4. Wall Pantry Pull-out (pulled to 21"; skin sides)
5. Base Cabinets
6. Base Pots & Pans Storage (with Furniture Plywood Ends; pull to 27")
7. Range Base 27"D (Wide Rail Cove; with Furniture Plywood Ends)
8. Classic Crown Molding
9. Large Cove Casing
10. Solid Stock
11. Tall End Panel (cut to build box)
12. Large Cove Molding
13. Cove Corbel
14. Single Bead Pilaster
15. Toe Kick Material

Wall Specialty Cabinets

Construction Options and Modifications

WMSP	36	36
code	width	height

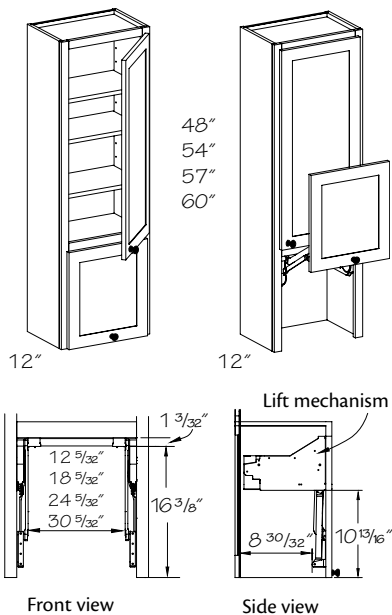
Material dimensions listed may vary slightly from actual dimensions of the product.

Specifications subject to change without notice.

- ❖ Included as standard
- Available with an upcharge
- ☆ Available with exceptions
- (Blank) **Not** available

- PE Plywood Ends
- APC All Plywood Construction
- APFC All Plywood Furniture Construction
- FPEB Furniture Plywood Ends
- MI Matching Interior
- DE Integrated Decorative End
- AD_E Attached Decorative End
- CW Change Width
- RD Reduced Depth
- ID Increased Depth
- CH Change Height
- TWR Top Wide Rail
- XS Extended Stile
- GD Glass Doors

Wall Appliance Garage



Two shelves
48" High

- **WAG181248 R or L**
- **WAG241248 R or L**
- **WAG241248 BUTT**
- **WAG301248**
- **WAG361248**

Three shelves
54" High

- **WAG181254 R or L**
- **WAG241254 R or L**
- **WAG241254 BUTT**
- **WAG301254**
- **WAG361254**

Three shelves
57" High

- **WAG181257 R or L**
- **WAG241257 R or L**
- **WAG241257 BUTT**
- **WAG301257**
- **WAG361257**

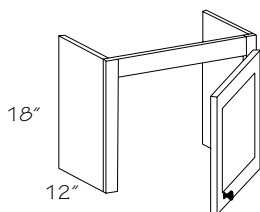
Three shelves
60" High

- **WAG181260 R or L**
- **WAG241260 R or L**
- **WAG241260 BUTT**
- **WAG301260**
- **WAG361260**

- Specify R or L for single door hinging
- Adjustable shelves
- Clearance from countertop to bottom of door is 20 1/32"
- Adjustable Soft-Close lift mechanism standard
- Void All Door and Drawer Front option (VDA) is **not** available
- Bottom door is always square
- ☆ Glass doors available for top doors only
- ☆ Maximum Increased Depth (ID) is 24"

- PE
- APC
- APFC
- FPEB
- MI
- DE
- AD_E
- CW
- RD
- ☆ ID
- CH
- TWR
- XS
- ☆ GD

Door Storage

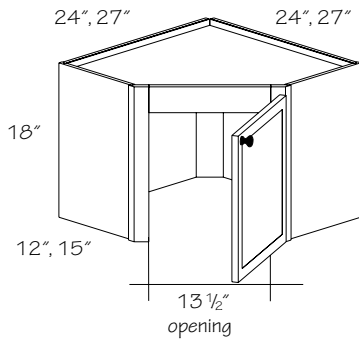


- **DOS18 R or L**
- **DOS21 R or L**
- **DOS24 BUTT**

- Change Width (CW) option **not** available

- Specify R or L for single door hinging
- **Not** trimmable
- **Note:** Square doors will be supplied when ordered in arched door styles

- PE
- APC
- APFC
- FPEB
- MI
- DE
- AD_E
- ☆ CW
- RD
- ID
- CH
- TWR
- XS
- GD



Door Storage Angle

DOSA2418 R or L

★ **DOSA2718 R or L**

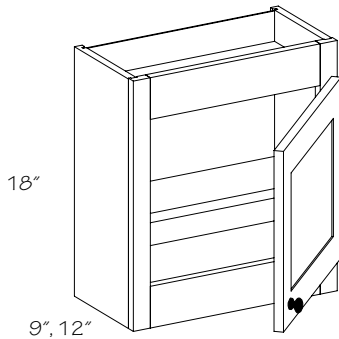
★ Furniture Plywood Ends (FPEB) standard; recommended Matching Interior option is MIFP

※ Flush Finished Ends standard

- Specify R or L for single door hinging
- Access height is 15"
- **Not** trimmable
- **Note:** Square doors will be supplied when ordered in arched door styles
- **Note:** Full overlay door styles use a 1/2" overlay hinge

● PE
● APC
● APFC
☆ FPEB
● MI
DE
AD_E
CW
RD
ID
CH
TWR
XS
● GD

Under Cabinet Door Storage



UCDS150918 R or L

UCDS180918 R or L

UCDS210918 R or L

UCDS151218 R or L

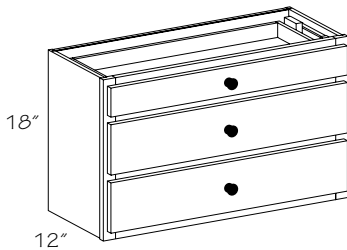
UCDS181218 R or L

UCDS211218 R or L

- Specify R or L for single door hinging
- One adjustable shelf
- Top and bottom rails are 3" high allowing for molding application
- Refer to the appliance manufacturer's specifications for clearance between the Under Cabinet Storage cabinets and the cooking surface for residential applications
- Consult your local building code to determine the amount of space required between the cooking surface and the Under Cabinet Storage cabinets for commercial applications
- If ordered in an arched door style, it will be supplied square
- Thermofolds are painted hardwood
- ☆ APFC standard when APC option is selected

PE
● APC
☆ APFC
☆ FPEB
● MI
DE
AD_E
CW
● RD
ID
CH
TWR
XS
● GD

Drawer Storage Cabinet



DS15

DS18

DS21

DS24

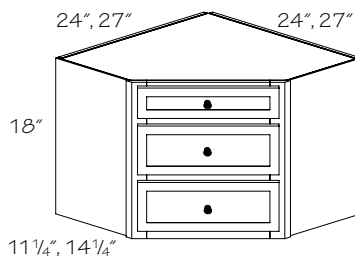
DS27

DS30

- Three drawers with full extension side-mount runners
- Top drawer will have a slab drawer front in Martel-Full and Townley

● PE
● APC
● APFC
● FPEB
MI
● DE
AD_E
● CW
RD
ID
CH
TWR
● XS
GD

Drawer Storage Angle



DSA2418

☆ **DSA2718**

☆ Furniture plywood ends (FPEB) standard

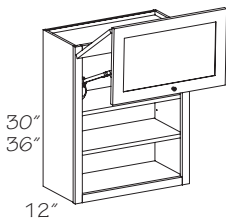
- Three drawers with full extension side-mount runners
- Top drawer will have a slab drawer front in Martel-Full



When including any under cabinet storage unit, consider using a countertop with a loose backsplash. This will prevent having to notch the cabinet.

● PE
● APC
● APFC
☆ FPEB
MI
DE
AD_E
CW
RD
ID
CH
TWR
XS
GD

Wall Lateral Bi-Fold Cabinet

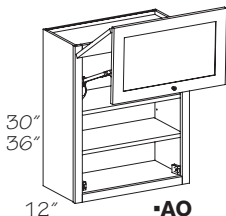


Two shelves
30" High

WLB2430
WLB3030
WLB3630

Three shelves
36" High

WLB2436
WLB3036
WLB3636

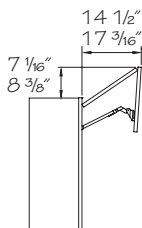


With Auto-open Kit, Two shelves
30" High

WLB2430 .AO
WLB3030 .AO
WLB3630 .AO

With Auto-open Kit, Three shelves
36" High

WLB2436 .AO
WLB3036 .AO
WLB3636 .AO



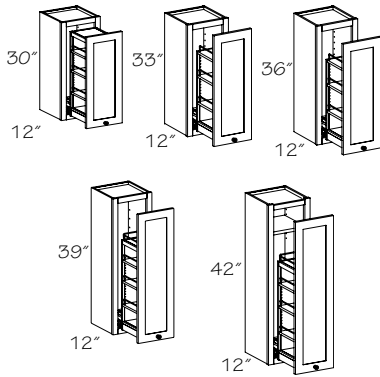
- Adjustable shelves
- Adjustable Soft-Close lift mechanism standard
- With the Auto-open Kit (AO), pressing lower corners of cabinet door triggers auto-open. Pressing a button on activator switch triggers auto-close. Doors can be operated manually if desired. Multiple units can also be synced to open and close simultaneously with the push of one button
- Auto-open Kit (AO) requires 110V power source at back of cabinet
- Breakaway hinge engages or separates, when an object is caught between the doors as they are closing
- Door-to-door hinge will show slightly when glass doors are applied
- Available in full overlay door styles only
- Allow 8 11/16" above the cabinet for proper door clearance
- Permaset bumpers are **not** included on doors ordered with the Auto-open Kit (AO)
- ☆ **Not** available with Mullion glass doors (GD) option
- ☆ **Not** available with Camed glass door (GD) option
- ☆ Prep for Glass (DRS•PREP) **not** available
- ☆ **Not** available with Crossroads (CRO), Modern Textured (MRT) and Moire (MOI) Glass Inserts
- ☆ Antiquity Glass Insert (ATQ) **not** available on 36" wide cabinet
- **Note:** Auto-open Kit (AO) requires field installation
- **Note:** Square doors will be supplied when ordered in arched door styles

●	PE
●	APC
●	APFC
●	FPEB
●	MI
●	DE
●	AD_E
●	CW
●	RD
●	ID
●	CH
●	TWR
●	XS
☆	GD



Any wall cabinet over 24" wide or 30" high or higher with a depth greater than 12" and/or with butt doors **must** be installed between two (2) cabinets, a cabinet and a wall or supported from below

Wall Pantry Pull-out

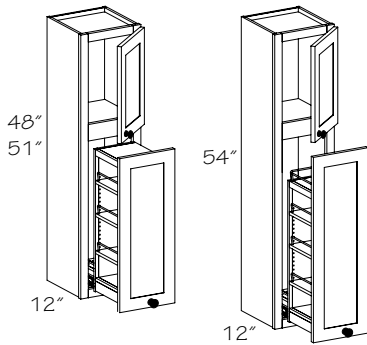


- 30" High
* **WPP930**
WPP1230
- 33" High
* **WPP933**
WPP1233
- 36" High
* **WPP936**
WPP1236
- 39" High
* **WPP939**
WPP1239
- 42" High
+* **WPP942**
+ **WPP1242**

- * Doors are square except full overlay arched door styles. Thermofoil doors will always be square. Vega doors will have a solid, recessed flat panel
- + One adjustable shelf above pull-out

● PE
● APC
● APFC
● FPEB
● MI
● DE
● AD_E
● CW
● RD
● ID
● CH
● TWR
● XS
● GD

Wall Pantry Pull-out Stack



- 48" High
*+ **WPPST948 R or L**
WPPST1248 R or L
- 51" High
*+ **WPPST951 R or L**
WPPST1251 R or L
- 54" High
*+ **WPPST954 R or L**
WPPST1254 R or L

- * Doors are square except full overlay arched door styles. Thermofoil doors will always be square. Vega doors will have a solid, recessed flat panel
- + Glass door option *not* available

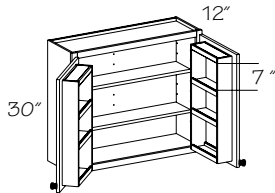
- Specify R or L for single door hinging
- Two vertical compartments with fixed rail and floor
- Bottom door is always square
- ☆ Glass doors available for top doors only



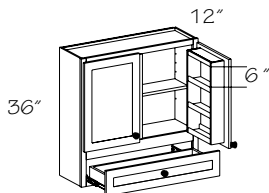
Any wall cabinet over 24" wide or 30" high or higher with a depth greater than 12" and/or with butt doors **must** be installed between two (2) cabinets, a cabinet and a wall or supported from below

● PE
● APC
● APFC
● FPEB
● MI
● DE
● AD_E
● CW
● RD
● ID
● CH
● TWR
● XS
☆ GD

Wall Multi-Storage Pantry



WMSP3630 (Butt)



WMSP3636

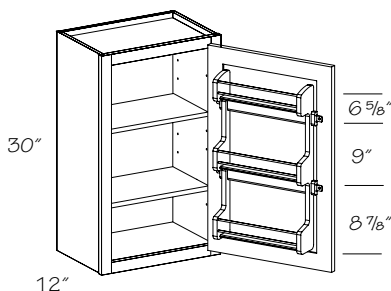
- WMSP3630 (Butt)**
- * **WMSP3636**

- * Full extension side-mount drawer glides; Mullion strip attached to left door

- Adjustable 7 1/8" deep shelves
- Two 4" deep door storage racks with three fixed shelves
- **Must** be installed between two cabinets or a cabinet and wall with supplied connectors

● PE
● APC
● APFC
● FPEB
● MI
● DE
● AD_E
● CW
● RD
● ID
● CH
● TWR
● XS
● GD

Wall Cabinet w/Spice Rack

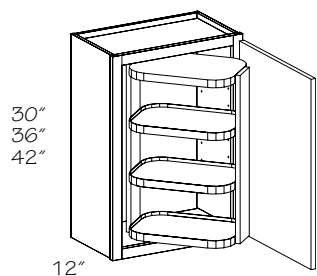


- W1530 R or LSR**
- W1830 R or LSR**
- W2130 R or LSR**

- Specify R or L for single door hinging
- Right shown
- Two standard depth adjustable shelves
- Spice rack is 3 1/8" deep, rack shelf is 2 1/8" deep

● PE
● APC
● APFC
● FPEB
● MI
● DE
● AD_E
● CW
● RD
● ID
● CH
● TWR
● XS
● GD

Wall Reverse-A-Shelf



- Three shelves
W2130 R or L.RS 6 1/16" – 7 1/16" – 6 11/16"
W2136 R or L.RS 8 1/8" – 9 1/16" – 8 11/16"
- Four shelves
W2142 R or L.RS 7 3/16" – 8" – 8" – 7 5/8"

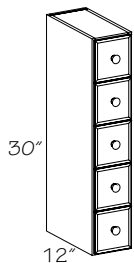
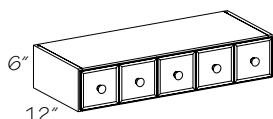
- Specify R or L for single door hinging
- Right shown
- Shelf assembly pivots 180° for full shelf access
- Vinyl laminated shelves with wood grain T-molding
- Contrasting Back Options (CBEB, CPLB, CVGR) **not** available
- **Note:** Cabinet is **not** reversible

●	PE
●	APC
●	APFC
●	FPEB
	MI
●	DE
●	AD_E
	CW
	RD
	ID
	CH
	TWR
●	XS
●	GD



We recommend using Under Cabinet Panels (UCP) on all wall cabinet runs. This will give the kitchen an elegant finished look. Unless ordered with a matching wood veneer interior option, the under side of wall cabinets are a natural birch material.

Spice Drawer Cabinet



- Horizontal
- SDC18** 3 Drawers
- SDC24** 4 Drawers
- SDC30** 5 Drawers
- SDC36** 6 Drawers
- SDC42** 7 Drawers
- Vertical
- VSDC6** 5 Drawers

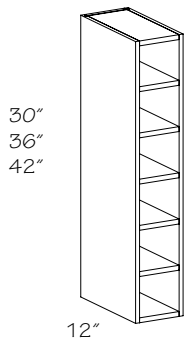
- 5/8" wood veneer construction on horizontal cabinets; vertical cabinets have 1/2" Plywood Ends (PE) standard; **not** available in plywood
- Drawer boxes have 1/2" sides and 3/4" floor, front and back
- Interior drawer depth 10 1/16"
- Solid wood 3/4" thick slab drawer fronts with an eased edge. Outside profile will be the same regardless of the selected door style
- Drawer front is adjustable
- All drawer boxes are Natural Birch wood veneer plywood
- Drawer box slides along wood guide. Wood guide is used to keep drawers from moving left to right
- Vinyl edge banding applied to edges of cabinet
- Matching wood knobs included, **not** installed
- Replacement knobs available—use the following order codes: 161 for Maple; 171 for Cherry; 181 for Oak and Hickory; 191 for Alder; 634 for Thermofoils. See Decorative Hardware section for description
- **Not** available in High-Gloss Foil or Wood-Grain Foil door styles
- Quartersawn door styles are supplied plain sawn
- **Note:** This cabinet features "frameless" type construction

☆	PE
	APC
	APFC
	FPEB
❖	MI
	DE
	AD_E
	CW
	RD
	ID
	CH
	TWR
	XS
	GD



When using an Organizer (O—) Cabinet or Spice Drawer Cabinet (SDC), which have flush ends standard, under a wall cabinet at the end of a run, either attach Furniture Ends (FE) or order a 3/16" Wood Skin (WSK) for the wall cabinet to flush the ends. (There will be a seam.) Also, consider ordering a furniture matching wall end panel if the height of the finished product allows it. For an alternative, see our Organizer Wall Cabinet in the Office Cabinet section.

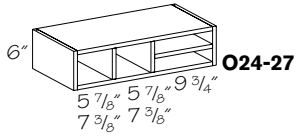
Wall Wine Rack Cabinet



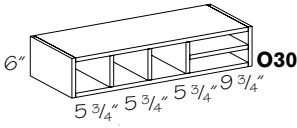
- WWR630** 5 shelves
- WWR636** 6 shelves
- WWR642** 7 shelves

- 1/2" plywood ends
- Crafted or Quartersawn door styles will be supplied in plain sawn wood
- Painted hardwood supplied for EverCore®
- Vinyl edge banding applied to edges of cabinet
- Recommended installation is between two cabinets
- Intended for vertical installation only
- Contrasting Back Options (CBEB, CPLB, CVGR) **not** available
- ☆ Reduced Depth (RD) **not** available in Foil door styles
- **Note:** This cabinet features "frameless" type construction

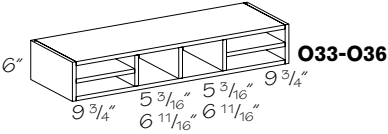
❖	PE
	APC
	APFC
	FPEB
❖	MI
	DE
	AD_E
	CW
☆	RD
	ID
	CH
	TWR
	XS
	GD



O24-27



O30



O33-O36

Organizers

- O24**
- O27**
- O30**
- O33**
- O36**

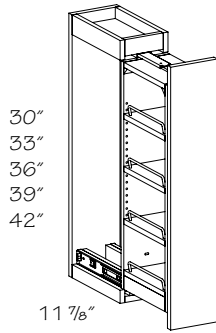
- 5/8" wood veneer construction; **not** available in plywood
- Crafted or Quartersawn door styles will be supplied in plain sawn wood
- Painted hardwood supplied for EverCore®
- Vinyl edge banding applied to edges of cabinet
- Contrasting Back Options (CBEB, CPLB, CVGR) **not** available
- **Note:** This cabinet features "frameless" type construction



When using an Organizer (O—) Cabinet or Spice Drawer Cabinet (SDC), which have flush ends standard, under a wall cabinet at the end of a run, either attach Furniture Ends (FE) or order a 3/16" Wood Skin (WSK) for the wall cabinet to flush the ends. (There will be a seam.) Also, consider ordering a furniture matching wall end panel if the height of the finished product allows it. For an alternative, see our Organizer Wall Cabinet in the Office Cabinet section.

PE
APC
APFC
FPEB
MI
DE
AD_E
CW
RD
ID
CH
TWR
XS
GD

Wall Filler Pull-out



- Three adjustable shelves
30" High
WFP3.30 2 1/8" shelf width
WFP6.30 5 1/8" shelf width
- Three adjustable shelves
33" High
WFP3.33 2 1/8" shelf width
WFP6.33 5 1/8" shelf width
- Four adjustable shelves
36" High
WFP3.36 2 1/8" shelf width
WFP6.36 5 1/8" shelf width
- Four adjustable shelves
39" High
WFP3.39 2 1/8" shelf width
WFP6.39 5 1/8" shelf width
- Five adjustable shelves
42" High
WFP3.42 2 1/8" shelf width
WFP6.42 5 1/8" shelf width

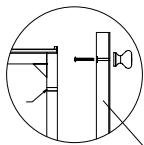
- Crafted or Quartersawn door styles will be supplied in plain sawn wood
- Painted hardwood supplied for EverCore®
- Painted or Stained hardwood supplied for Wood-Grain Foil door styles
- Unit slides on full extension side-mount runners
- Recommended installation is between two cabinets
- Installation may also be made between a cabinet and a wall or a cabinet and an end panel with stile
- Filler is included, but unattached. Unit should be installed before removing shipping brace and attaching filler
- A filler overlay is recommended for full overlay door styles; **must** be ordered separately



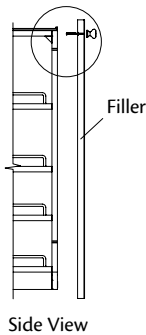
Do **not** use filler pullouts (WFP, BFP, BSPP) at the end of cabinet runs or next to appliances. They **must** be installed between two cabinets or a cabinet and an end panel.

PE
APC
APFC
FPEB
MI
DE
AD_E
CW
RD
ID
CH
TWR
XS
GD

Install decorative hardware prior to attaching filler to pull-out unit



Filler



Side View

Wall Accessories

Construction Options and Modifications

PCWFC	3	15	24
code	width	depth	height

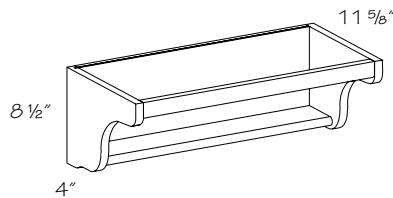
- ❖ Included as standard
- Available with an upcharge
- ☆ Available with exceptions
- (Blank) **Not** available

- PE Plywood Ends
- APC All Plywood Construction
- APFC All Plywood Furniture Construction
- FPEB Furniture Plywood Ends
- MI Matching Interior
- CW Change Width
- RD Reduced Depth
- ID Increased Depth
- CH Change Height
- XS Extended Stile
- GD Glass Doors

Material dimensions listed may vary slightly from actual dimensions of the product.

Specifications subject to change without notice.

Under Cabinet Shelf

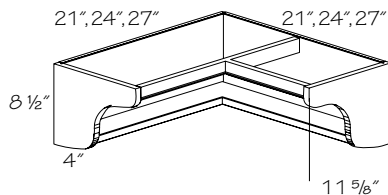


- UCS12**
- UCS15**
- UCS18**
- UCS21**
- UCS24**
- UCS27**
- UCS30**
- UCS33**
- UCS36**

- 3 7/8" shelf depth
- Solid wood/wood veneer construction
- Quartersawn door styles are supplied plain sawn
- Painted hardwood supplied for EverCore®

PE
APC
APFC
FPEB
MI
● CW
RD
ID
CH
XS
GD

Under Cabinet Shelf Corner

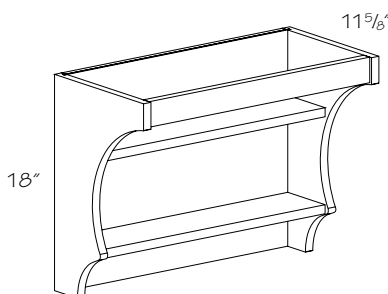


- UCSC2121**
- UCSC2424**
- UCSC2727**

- 3 7/8" shelf depth
- Solid wood/wood veneer construction
- For use with Wall Easy Reach (WEZR) Cabinets only
- Quartersawn door styles are supplied plain sawn
- Painted hardwood supplied for EverCore®
- Painted or Stained hardwood supplied for Wood-Grain Foil door styles

PE
APC
APFC
FPEB
MI
CW
RD
ID
CH
XS
GD

Under Cabinet Shelf 18" H



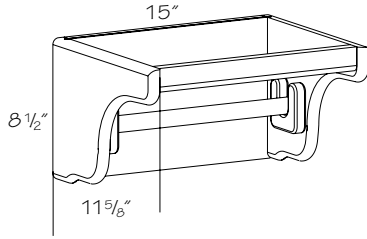
- UCS1218**
- UCS1518**
- UCS1818**
- UCS2118**
- UCS2418**
- UCS2718**
- UCS3018**
- UCS3318**
- UCS3618**

- 4 7/8" shelf depth
- Solid wood/wood veneer construction
- Painted hardwood supplied for EverCore® and Thermofoil
- Quartersawn door styles are supplied plain sawn

PE
APC
APFC
FPEB
MI
● CW
RD
ID
CH
XS
GD

Paper Towel Holder

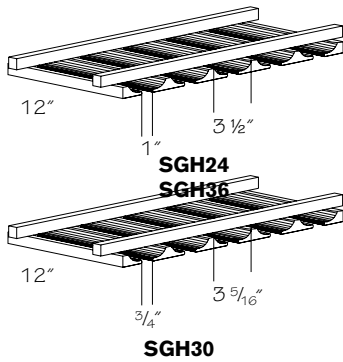
PTH15



- 4 7/8" shelf depth
- Solid wood/wood veneer construction
- Painted hardwood supplied for EverCore® and Thermofoil
- Quartersawn door styles are supplied plain sawn

PE
APC
APFC
FPEB
MI
CW
RD
ID
CH
XS
GD

Stem Glass Holder



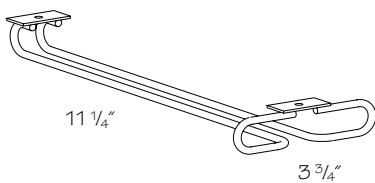
- SGH24** 5 Sections
- SGH30** 7 Sections
- SGH36** 8 Sections

- Solid wood
- Mounts to bottom of wall cabinet
- Can be cut to fit smaller cabinets
- Oak supplied for Hickory
- High-Gloss finishes will be supplied as matching standard finish
- Quartersawn door styles are supplied plain sawn

PE
APC
APFC
FPEB
MI
CW
RD
ID
CH
XS
GD

Wire Stem Glass Holder

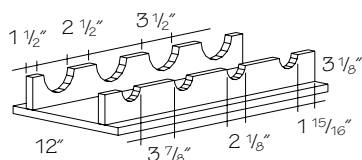
WSGH .SC Satin Chrome



- Mounts to underside of cabinet; a 3/4" spacer or Under Cabinet Panel (UCP) needed for proper installation
- Mounting screws included

PE
APC
APFC
FPEB
MI
CW
RD
ID
CH
XS
GD

Wine Shelf

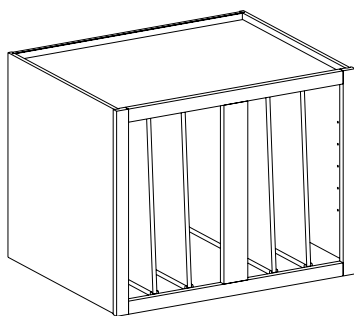


- WS24** 4 Bottles
- WS30** 5 Bottles
- WS36** 6 Bottles

- Solid wood/wood veneer construction
- Quartersawn door styles are supplied plain sawn
- Edgebanded one long and two short edges
- May be trimmed in field
- Crafted or Quartersawn door styles will be supplied in plain sawn wood
- Thermofoils are painted hardwood

PE
APC
APFC
FPEB
MI
CW
RD
ID
CH
XS
GD

Tray Dividers–Wall

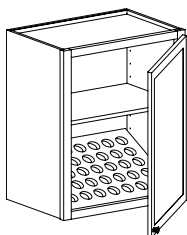


- 1TD**
- 2TD**
- 3TD**
- 4TD**
- 5TD**
- 6TD**

- Available factory installed for 24" deep wall refrigerator (WR) cabinets only
- Installed in wood or plastic U-channels
- Shelves are eliminated when this option is selected
- Specify quantity and location
- 1/2" printed hardwood
- Order Example: WR2724-3TD (spaced evenly)

PE
APC
APFC
FPEB
MI
CW
RD
ID
CH
XS
GD

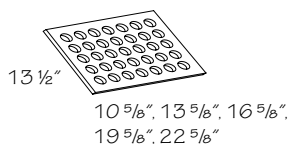
K-Cup® Shelf Kit



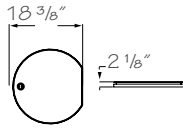
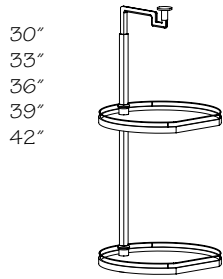
- KCSK12** Holds 20 K-Cups®
- KCSK15** Holds 25 K-Cups®
- KCSK18** Holds 35 K-Cups®
- KCSK21** Holds 40 K-Cups®
- KCSK24** Holds 45 K-Cups®

- Available for 12" deep cabinets only
- Field installation only
- K-cup® is a registered trademark of Keurig Green Mountain, Inc.

PE
APC
APFC
FPEB
MI
CW
RD
ID
CH
XS
GD



Chrome Lazy Susan Kit for Wall Angle Cabinets

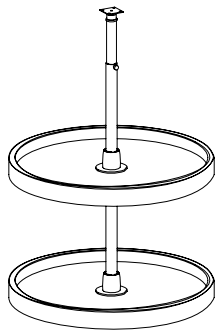


- LSKC30.33** for 30" and 33" high
- LSKC36.39** for 36" and 39" high
- LSKC42** for 42" high

- 19 11/16" diameter rotating shelves
- Maximum weight per shelf is 18 lbs.
- Shelves rotate together
- Shelves are wood grain melamine with chrome rails
- Designed for installation in a WA24__ cabinet only
- Field installation only

PE
APC
APFC
FPEB
MI
CW
RD
ID
CH
XS
GD

Wood Lazy Susan Kit for Wall Angle Cabinets

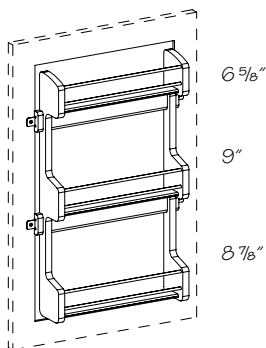


- Two shelves*
- LSK18 .WLS** for 30" high
 - LSK1833 .WLS** for 33" high
- Three shelves*
- LSK1836 .WLS** for 36" high
 - LSK1839 .WLS** for 39" high
 - LSK1842 .WLS** for 42" high

- 19 1/2" diameter rotating shelves
- Rotating shelves have plywood floor and solid wood trim
- Designed for installation in a WA24__ cabinet only
- Field installation only

PE
APC
APFC
FPEB
MI
CW
RD
ID
CH
XS
GD

Spice Rack Kit

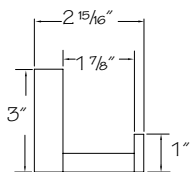
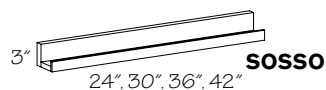


- SRK15** 9 1/2" wide
- SRK18** 12 1/2" wide
- SRK21** 15 1/2" wide

- Rack is 3 1/8" deep
- Three fixed shelves, 2 1/8" deep
- Minimum cabinet height 30"
- Includes mounting hardware
- Field installation only

PE
APC
APFC
FPEB
MI
CW
RD
ID
CH
XS
GD

Spice Open Storage



With Bottles

- SOS24** Supplied with 12 spice bottles
- SOS30** 18 spice bottles
- SOS36** 18 spice bottles
- SOS42** 24 spice bottles

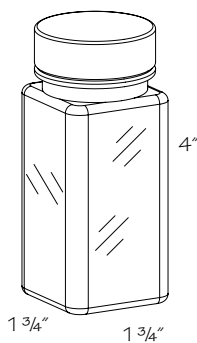
Shelf Only

- SOSSO24**
- SOSSO30**
- SOSSO36**
- SOSSO42**

- Spice bottles measure 1 3/4" x 1 3/4" x 4", 4 oz. capacity, clear glass
- Satin metal lids
- Painted or Stained hardwood supplied for Wood-Grain Foil door styles
- **Note:** SOS30 is supplied with 18 spice bottles, 15 bottles will fit on the shelf.
SOS42 is supplied with 24 spice bottles, 21 bottles will fit on the shelf

PE
APC
APFC
FPEB
MI
CW
RD
ID
CH
XS
GD

Replacement Spice Bottle

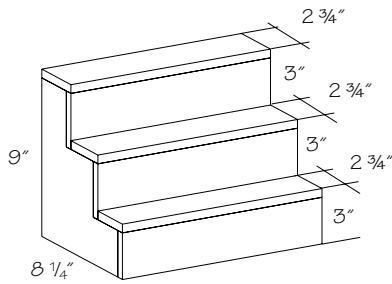


SPBTL

- Spice bottles measure 1 3/4" x 1 3/4" x 4", 4 oz. capacity, clear glass
- Satin metal lids
- Also used with the Spice Caddy (SPCD.B or SPCD)
- Sold in quantities of 6

PE
APC
APFC
FPEB
MI
CW
RD
ID
CH
XS
GD

Tiered Storage Shelf

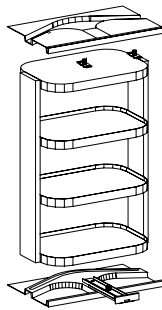


TSS15
TSS18
TSS21

- Solid wood
- Field installation only

PE
APC
APFC
FPEB
MI
CW
RD
ID
CH
XS
GD

Reverse-A-Shelf Kit

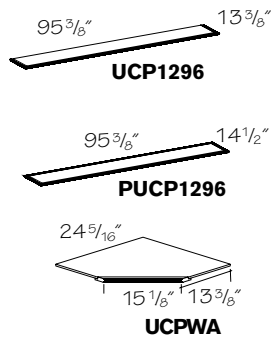


Three Shelves Shelf clearance top to bottom
RSK2130 6 1/16" – 7 1/16" – 6 11/16"
RSK2136 8 1/8" – 9 1/16" – 8 11/16"
 Four Shelves
RSK2142 7 3/16" – 8" – 8" – 7 5/8"

- Designed for installation in 21" wide wall cabinets
- Shelf assembly pivots 180° for full shelf access
- Vinyl laminated shelves with wood grain T-molding
- Includes mounting hardware
- Field installation only

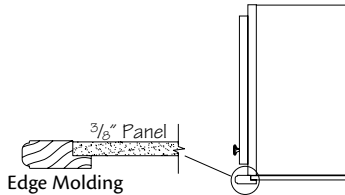
PE
APC
APFC
FPEB
MI
CW
RD
ID
CH
XS
GD

Under Cabinet Panels



PUCP1296
UCP1296
UCPWA

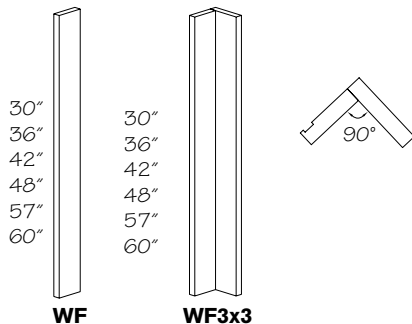
- 3/8" panel with matching printed wood grain laminate sides and applied solid wood edge molding
- Cabinet Panel Edge (CPE8) molding may be ordered separately; see Molding section
- **Not** available in plywood
- Painted hardwood supplied for EverCore®
- Painted or Stained hardwood supplied for Wood-Grain Foil door styles
- Quartersawn door styles are supplied plain sawn



We recommend using Under Cabinet Panels (UCP) on all wall cabinet runs. This will give the kitchen an elegant finished look. Unless ordered with a matching wood veneer interior option, the under side of wall cabinets are a natural birch material.

PE
APC
APFC
FPEB
MI
CW
RD
ID
CH
XS
GD

Wall Filler

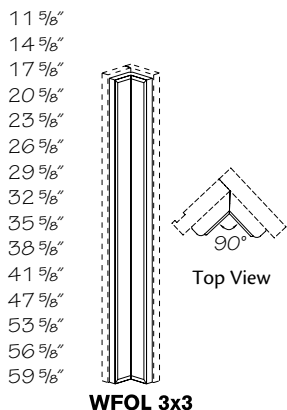
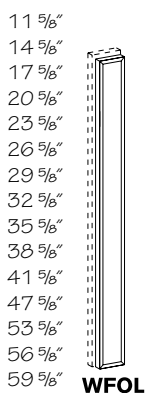


30" High
WF3.30
WF6.30
 36" High
WF3.36
WF6.36
 42" High
WF3.42
WF6.42
 48" High
WF3.48
 57" High
WF3.57
WF6.57
 60" High
WF3.60
WF6.60
 30" High
WF3X3.30
 42" High
WF3X3.42

- 3/4" thick solid wood
- Finished one side only
- Filler overlay has routed door profile and is made from the same material as doors and drawer fronts
- Painted hardwood supplied for EverCore® and Thermofoil
- Painted or Stained hardwood supplied for Wood-Grain Foil door styles

PE
APC
APFC
FPEB
MI
CW
RD
ID
CH
XS
GD

Wall Filler Overlay



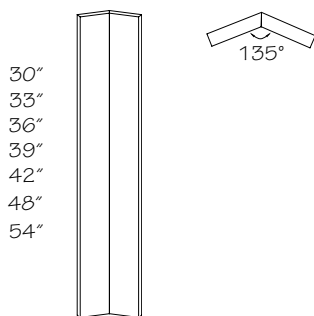
- WFOL3.12** * **WFOL3.48**
- WFOL6.12** * **WFOL6.48**
- WFOL3.15** * **WFOL3.54**
- WFOL6.15** * **WFOL6.54**
- WFOL3.18** **WFOL3.57**
- WFOL6.18** **WFOL6.57**
- WFOL3.21** **WFOL3.60**
- WFOL6.21** **WFOL6.60**
- WFOL3.24** ▲ **WFOL3X3.30**
- WFOL6.24** ▲ **WFOL3X3.33**
- WFOL3.27** ▲ **WFOL3X3.36**
- WFOL6.27** ▲ **WFOL3X3.39**
- WFOL3.30** ▲ **WFOL3X3.42**
- WFOL6.30** **WFOL3.48.FH**
- WFOL3.33** **WFOL6.48.FH**
- WFOL6.33** **WFOL3.54.FH**
- WFOL3.36** **WFOL6.54.FH**
- WFOL6.36**
- WFOL3.39**
- WFOL6.39**
- WFOL3.42**
- WFOL6.42**

* Two pieces
 ▲ Shipped as two pieces in Thermofoil and Wood-Grain Foil door styles. **Must** be field trimmed and mitered

- Available in full overlay door styles only
- Available in High-Gloss Foils finish except in 3X3 models
- Filler overlay has routed door profile and is made from the same material as doors and drawer fronts
- Quartersawn Oak door styles are 3/4" quartersawn wood with matching door profile on all sides. Quartersawn Cherry and Maple door styles are quartersawn wood veneer
- Filler ordered separately

PE
APC
APFC
FPEB
MI
CW
RD
ID
CH
XS
GD

Wall Inside Corner Angle Filler

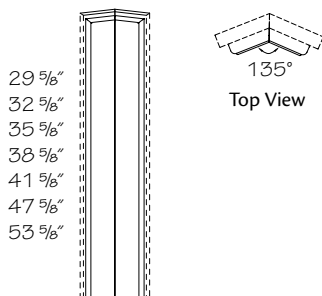


- ICAF30**
- ICAF33**
- ICAF36**
- ICAF39**
- ICAF42**
- ICAF48**
- ICAF54**

- 3/4" thick solid wood
- Crafted or Quartersawn door styles will be supplied in plain sawn wood
- Painted hardwood supplied for EverCore®
- Painted or Stained hardwood supplied for Wood-Grain Foil door styles
- Finished one side only
- **Not** available in Thermofoil door styles

PE
APC
APFC
FPEB
MI
CW
RD
ID
CH
XS
GD

Wall Inside Corner Angle Filler Overlay

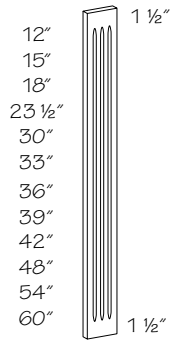


- ICAFOL30**
- ICAFOL33**
- ICAFOL36**
- ICAFOL39**
- ICAFOL42**
- ICAFOL48**
- ICAFOL54**

- Available in full overlay door styles only
- Filler overlay has routed door profile and is solid wood
- Filler overlay has routed door profile and is made from the same material as doors and drawer fronts
- Filler ordered separately
- Shipped as two pieces
- **Not** available in Thermofoil door styles

PE
APC
APFC
FPEB
MI
CW
RD
ID
CH
XS
GD

Wall Fluted Filler

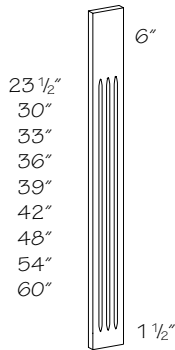


WFF3.12	WFF3.36
WFF6.12	WFF6.36
WFF3.15	WFF3.39
WFF6.15	WFF6.39
WFF3.18	WFF3.42
WFF6.18	WFF6.42
WFF3.24	WFF3.48
WFF6.24	WFF6.48
WFF3.30	WFF3.54
WFF6.30	WFF6.54
WFF3.33	WFF3.60
WFF6.33	WFF6.60

- 3/4" thick solid wood
- Trimmable 5/8" each side
- Quartersawn door styles are supplied plain sawn
- Painted or Stained hardwood supplied for Wood-Grain Foil door styles
- Painted hardwood supplied for EverCore® and Thermofoil

PE
APC
APFC
FPEB
MI
CW
RD
ID
CH
XS
GD

Plain Capital Wall Fluted Filler

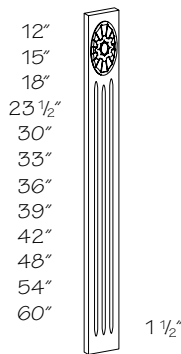


PCWFF3.24	PCWFF3.48
PCWFF6.24	PCWFF6.48
PCWFF3.30	PCWFF3.54
PCWFF6.30	PCWFF6.54
PCWFF3.33	PCWFF3.60
PCWFF6.33	PCWFF6.60
PCWFF3.36	
PCWFF6.36	
PCWFF3.39	
PCWFF6.39	
PCWFF3.42	
PCWFF6.42	

- 3/4" thick solid wood
- Trimmable 5/8" each side
- Quartersawn door styles are supplied plain sawn
- Painted or Stained hardwood supplied for Wood-Grain Foil door styles
- Painted hardwood supplied for EverCore® and Thermofoil

PE
APC
APFC
FPEB
MI
CW
RD
ID
CH
XS
GD

Rosette Wall Fluted Filler

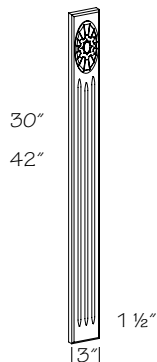


RWFF3.12
RWFF3.15
RWFF3.18
RWFF3.24
RWFF3.30
RWFF3.33
RWFF3.36
RWFF3.39
RWFF3.42
RWFF3.48
RWFF3.54
RWFF3.60

- 3/4" thick solid wood
- Applied decorative rosette
- Quartersawn door styles are supplied plain sawn
- **Not** available in Rustic Alder door styles
- **Not** available in Wood-Grain Foil door styles
- Painted hardwood supplied for EverCore® and Thermofoil

PE
APC
APFC
FPEB
MI
CW
RD
ID
CH
XS
GD

Rosette Wall Fluted Filler Overlay

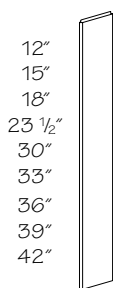


RFWFOL3.30
RFWFOL3.42

- 3/4" thick solid wood
- Applied decorative rosette
- Quartersawn door styles are supplied plain sawn
- **Not** available in Rustic Alder door styles
- **Not** available in Wood-Grain Foil door styles
- Painted hardwood supplied for EverCore® and Thermofoil

PE
APC
APFC
FPEB
MI
CW
RD
ID
CH
XS
GD

Filler Extension

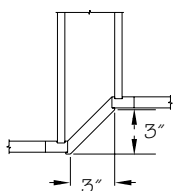


Filler Extension

- FE3.12**
- FE3.15**
- FE3.18**
- FE3.24**
- FE3.30**
- FE3.33**
- FE3.36**
- FE3.39**
- FE3.42**

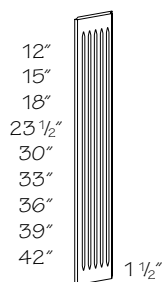
- 3/4" thick solid wood
- Crafted or Quartersawn door styles will be supplied in plain sawn wood
- Painted or Stained hardwood supplied for Wood-Grain Foil door styles
- Painted hardwood supplied for EverCore® and Thermofoil

PE
APC
APFC
FPEB
MI
CW
RD
ID
CH
XS
GD



Filler Extension Application

Fluted Filler Extension

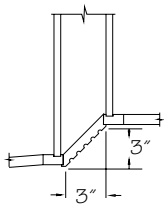


Fluted Filler Extension

- FFE3.12**
- FFE3.15**
- FFE3.18**
- FFE3.24**
- FFE3.30**
- FFE3.33**
- FFE3.36**
- FFE3.39**
- FFE3.42**

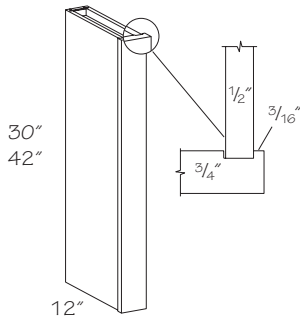
- 3/4" thick solid wood
- Quartersawn door styles are supplied plain sawn
- Painted or Stained hardwood supplied for Wood-Grain Foil door styles
- Painted hardwood supplied for EverCore® and Thermofoil

PE
APC
APFC
FPEB
MI
CW
RD
ID
CH
XS
GD



Filler Extension Application

Wall Box

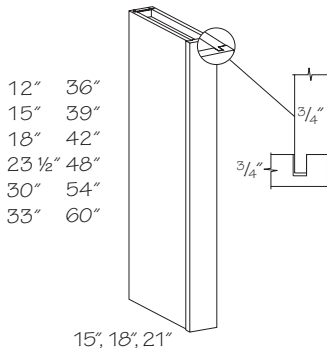


WB3.30
WB3.42

- Finished front and both sides
- Reversible, may be used on either right or left end
- Crafted or Quartersawn door styles will be supplied in plain sawn wood
- Painted hardwood supplied for EverCore®
- Painted or Stained hardwood supplied for Wood-Grain Foil door styles

●	PE
●	APC
●	APFC
●	FPEB
	MI
	CW
●	RD
●	ID
●	CH
	XS
	GD

Wall Column



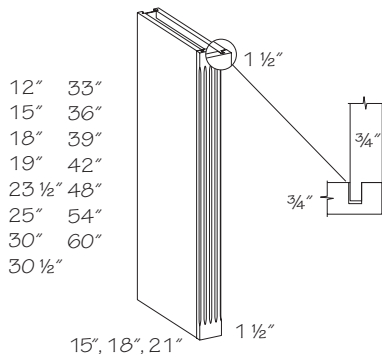
- | | |
|---|---|
| <input type="checkbox"/> WC31512 | WC61539 |
| <input type="checkbox"/> WC61512 | <input type="checkbox"/> WC31542 |
| <input type="checkbox"/> WC31515 | WC61542 |
| <input type="checkbox"/> WC61515 | <input type="checkbox"/> WC31548 |
| <input type="checkbox"/> WC31518 | WC61548 |
| <input type="checkbox"/> WC61518 | <input type="checkbox"/> WC31848 |
| <input type="checkbox"/> WC31524 | <input type="checkbox"/> WC32148 |
| <input type="checkbox"/> WC61524 | <input type="checkbox"/> WC31554 |
| <input type="checkbox"/> WC31530 | WC61554 |
| <input type="checkbox"/> WC61530 | <input type="checkbox"/> WC31854 |
| <input type="checkbox"/> WC31533 | <input type="checkbox"/> WC32154 |
| <input type="checkbox"/> WC61533 | <input type="checkbox"/> WC31560 |
| <input type="checkbox"/> WC31536 | WC61560 |
| <input type="checkbox"/> WC61536 | <input type="checkbox"/> WC31860 |
| <input type="checkbox"/> WC31539 | <input type="checkbox"/> WC32160 |

- Change Width (CW) option *not* available
- Change Height (CH) option *not* available

- Front is 3/4" solid wood
- Quartersawn Oak door styles have 3/4" solid quartersawn wood front and quartersawn wood veneer end panels
- Painted hardwood supplied for EverCore®
- Foil-wrapped MDF supplied for Wood-Grain Foil door styles on face frame only
- Plain sawn material supplied for Bristow Crafted door styles
- Finished front and both sides
- Reversible, may be used on either right or left end
- ☆ APFC standard when APC option is selected

	PE
●	APC
☆	APFC
◆	FPEB
	MI
☆	CW
●	RD
☆	ID
☆	CH
	XS
	GD

Wall Fluted Column



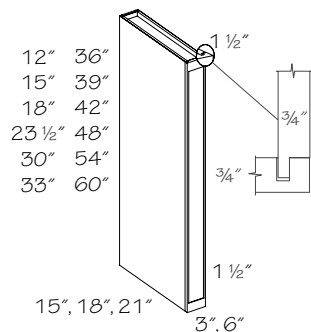
- | | |
|--|-----------------|
| <input type="checkbox"/> WFC31512 | WFC31536 |
| <input type="checkbox"/> WFC31515 | WFC31539 |
| <input type="checkbox"/> WFC31518 | WFC31542 |
| <input type="checkbox"/> WFC31819 | WFC31548 |
| <input type="checkbox"/> WFC32119 | WFC31848 |
| <input type="checkbox"/> WFC31524 | WFC32148 |
| <input type="checkbox"/> WFC31825 | WFC31554 |
| <input type="checkbox"/> WFC32125 | WFC31854 |
| <input type="checkbox"/> WFC31530 | WFC32154 |
| <input type="checkbox"/> WFC31831 | WFC31560 |
| <input type="checkbox"/> WFC32131 | WFC31860 |
| <input type="checkbox"/> WFC31533 | WFC32160 |

- Change Height (CH) option *not* available

- Fluted front is 3/4" solid wood; plain sawn wood supplied for quartersawn door styles
- Reversible, may be used on either right or left end
- Finished front and both sides
- Quartersawn Oak door styles have quartersawn wood veneer end panels
- Painted hardwood supplied for EverCore®
- Painted or Stained hardwood supplied for Wood-Grain Foil door styles
- ☆ APFC standard when APC option is selected

	PE
●	APC
☆	APFC
◆	FPEB
	MI
	CW
●	RD
●	ID
☆	CH
	XS
	GD

Sterling Wall Column

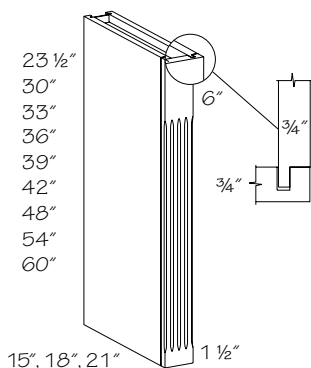


STWC31512	STWC61539
STWC61512	STWC31542
STWC31515	STWC61542
STWC61515	STWC31548
STWC31518	STWC61548
STWC61518	STWC31848
STWC31524	STWC32148
STWC61524	STWC31554
STWC31530	STWC61554
STWC61530	STWC31854
STWC31533	STWC32154
STWC61533	STWC31560
STWC31536	STWC61560
STWC61536	STWC31860
STWC31539	STWC32160

- Front is 3/4" solid wood
- Finished front and both sides
- Available in Rustic Alder, Cherry, EverCore®, Maple and White Wood-Grain Foil door styles only
- Painted hardwood supplied for Wood-Grain Foil door styles; only available in white
- Painted hardwood supplied for EverCore®
- Reversible, may be used on either right or left end
- ☆ APFC standard when APC option is selected

PE
● APC
☆ APFC
❖ FPEB
MI
CW
● RD
● ID
CH
XS
GD

Plain Capital Wall Fluted Column

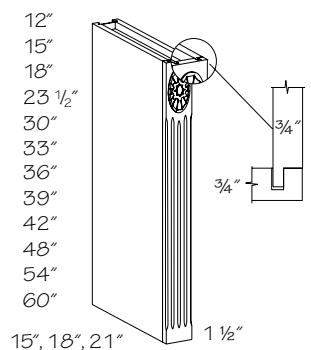


PCWFC31524	PCWFC32148
PCWFC31530	PCWFC31554
PCWFC31533	PCWFC31854
PCWFC31536	PCWFC32154
PCWFC31539	PCWFC31560
PCWFC31542	PCWFC31860
PCWFC31548	PCWFC32160
PCWFC31848	

- Fluted front is 3/4" solid wood; plain sawn wood supplied for quartersawn door styles
- Quartersawn Oak door styles have quartersawn wood veneer end panels
- Painted hardwood supplied for EverCore®
- Mesa and Montresano supplied quartersawn
- Painted or Stained hardwood supplied for Wood-Grain Foil door styles
- Finished front and both sides
- Reversible, may be used on either right or left end
- ☆ APFC standard when APC option is selected

PE
● APC
☆ APFC
❖ FPEB
MI
CW
● RD
● ID
● CH
XS
GD

Rosette Wall Fluted Column



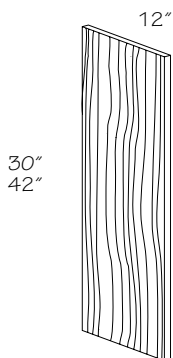
<input type="checkbox"/> RWFC31512	RWFC31548
<input type="checkbox"/> RWFC31515	RWFC31848
<input type="checkbox"/> RWFC31518	RWFC32148
RWFC31524	RWFC31554
RWFC31530	RWFC31854
RWFC31533	RWFC32154
RWFC31536	RWFC31560
RWFC31539	RWFC31860
RWFC31542	RWFC32160

- Fluted front is 3/4" solid wood; plain sawn wood supplied for quartersawn door styles
- Applied decorative rosette
- Quartersawn Oak door styles have quartersawn wood veneer end panels
- Finished front and both sides
- Reversible, may be used on either right or left end
- **Not** available in Rustic Alder door styles
- **Not** available in Wood-Grain Foil door styles
- ☆ APFC standard when APC option is selected

Change Height (CH) option **not** available

PE
● APC
☆ APFC
❖ FPEB
MI
CW
● RD
● ID
☆ CH
XS
GD

Wall End Panel



Vinyl Width x Height x Thickness

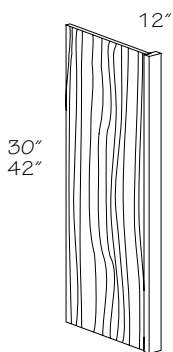
- **VWEP30** 12" x 30" x 3/4"
 - **VWEP42** 12" x 42" x 3/4"
- Wood Veneer
- * **WWEP30** 12" x 30" x 13/16"
 - * **WWEP42** 12" x 42" x 13/16"

- Quartersawn door styles are supplied plain sawn
- * Painted hardwood supplied for EverCore® and Thermofoil

- Edgebanded one long and two short edges
- Finished to match exterior both sides
- Wood Veneer Panels will have painted or stained hardwood supplied for Wood-Grain Foil door styles
- ☆ APC panel only available in wood veneer
- ☆ APC panel is 11/16" thick

PE
☆ APC
APFC
FPEB
MI
CW
RD
ID
● CH
XS
GD

Wall End Panel w/Stile

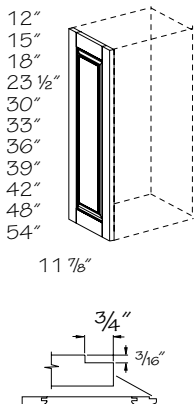


- **WEP1 1/2.30**
- **WEP3.30**
- **WEP1 1/2.42**
- **WEP3.42**

- Left shown
- Crafted or Quartersawn door styles will be supplied in plain sawn wood
- Painted hardwood supplied for EverCore®
- Painted or Stained hardwood supplied for Wood-Grain Foil door styles
- Printed wood grain laminate panels are edgebanded on two edges
- Exterior finished to match, interior is Natural Birch printed wood grain laminate and machined to match a cabinet end panel
- Reversible, may be used on either right or left end

● PE
● APC
● APFC
● FPEB
● MI
● CW
● RD
● ID
● CH
XS
GD

Matching Wall End Panel



- Peninsula
- **MWEP12 R or L** ■ **PMWEP12**
 - **MWEP15 R or L** ■ **PMWEP15**
 - **MWEP18 R or L** ■ **PMWEP18**
 - **MWEP24 R or L** ■ **PMWEP24**
 - **MWEP30 R or L** ■ **PMWEP30**
 - **MWEP33 R or L** ■ **PMWEP33**
 - **MWEP36 R or L** ■ **PMWEP36**
 - **MWEP39 R or L** ■ **PMWEP39**
 - **MWEP42 R or L** ■ **PMWEP42**
 - ▲ **MWEP48 R or L**
 - ▲ **MWEP54 R or L**

- Change Height (CH) option *not* available
- ▲ Available in full overlay door styles only
- *Not* available in Wood-Grain Foil door styles

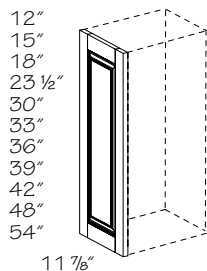
- Specify R or L
- 3/4" thick
- Inside of matching panel bottom rail will line up with inside bottom rail of door
- Left shown
- Field installation only
- Thermofoil, mitered and slab door styles do *not* have grooves and will *not* fit flush against 1/2" end panel. A 3/16" shim is recommended
- Peninsula panel has routed door profile front and back
- *Not* available in High-Gloss Foil door styles



When designing with Matching End Panels the reveal will differ from the cabinet door height reveal. Matching End Panels cover the entire side of the cabinet. See drawing for exact measurements

PE
APC
APFC
FPEB
MI
CW
RD
ID
☆ CH
XS
GD

Matching Wall End Panel—Square Edges



- **MWEP12 S** **MWEP36 S**
- **MWEP15 S** **MWEP39 S**
- **MWEP18 S** **MWEP42 S**
- **MWEP24 S** ▲ **MWEP48 S**
- **MWEP30 S** ▲ **MWEP54 S**
- **MWEP33 S**

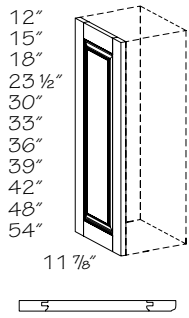
- Change Height (CH) option *not* available
- ▲ Available in full overlay door styles only

- 3/4" thick panel with square edge front and back
- Inside of matching panel bottom rail will line up with inside bottom rail of door
- Reversible, may be used on either right or left end
- Field installation only
- No frame recess dado
- *Not* available in High-Gloss Foil, Thermofoil or Wood-Grain Foil door styles
- *Not* available in mitered door styles

PE
APC
APFC
FPEB
MI
CW
RD
ID
☆ CH
XS
GD

Will not fit flush against 1/2" end panel; a 3/16" shim is recommended

Furniture Matching Wall End Panel



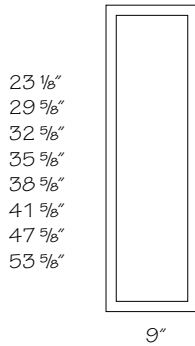
- **FMWEP12 R or L** □ **FPMWEP12**
- **FMWEP15 R or L** □ **FPMWEP15**
- **FMWEP18 R or L** □ **FPMWEP18**
- **FMWEP24 R or L** □ **FPMWEP24**
- **FMWEP30 R or L** □ **FPMWEP30**
- **FMWEP33 R or L** □ **FPMWEP33**
- **FMWEP36 R or L** □ **FPMWEP36**
- **FMWEP39 R or L** □ **FPMWEP39**
- **FMWEP42 R or L** □ **FPMWEP42**
- ▲ **FMWEP48 R or L**
- ▲ **FMWEP54 R or L**
- Change Height (CH) option *not* available
- ▲ Available in full overlay door styles only

Peninsula

- Specify R or L
- 3/4" thick
- Inside of matching panel bottom rail will line up with inside bottom rail of door
- Left shown
- Field installation only
- Peninsula panel has routed door profile front and back
- For use with Furniture Plywood Ends (FPEB)—flush ends
- **Not** available in High-Gloss Foil or Wood-Grain Foil door styles
- Quartersawn door styles are supplied plain sawn

PE
APC
APFC
FPEB
MI
CW
RD
ID
☆ CH
XS
GD

Overlay Panel For Wall Blind Corner Cabinets

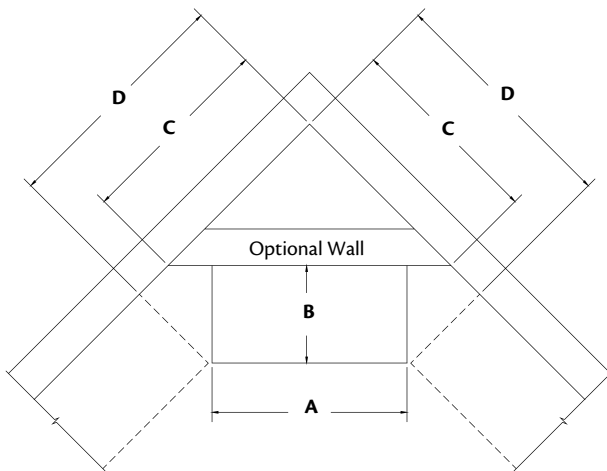


- **OPWBC24**
- **OPWBC30**
- **OPWBC33**
- **OPWBC36**
- **OPWBC39**
- **OPWBC42**
- **OPWBC48**
- **OPWBC54**

- Available in full overlay door styles only
- Overlay Panel has routed door profile and is made from the same material as doors and drawer fronts
- Field miter

PE
APC
APFC
FPEB
MI
CW
RD
ID
CH
XS
GD

Diagonal Installation of Standard Wall Cabinets



Note: Fillers are always recommended at both sides of cabinet junction points to allow for wall variations and drawer clearances

Caption Width A	Caption Width B	Wall Dimensions C	Wall Dimensions D
12"	12"	16 1/8"	21 7/8"
15"	12"	18 1/4"	23 1/4"
18"	12"	20 3/8"	25 3/8"
21"	12"	22 1/2"	27 1/2"
24"	12"	24 5/8"	29 5/8"
27"	12"	26 3/4"	31 3/4"
30"	12"	28 7/8"	33 7/8"
33"	12"	31"	36"
34"	12"	31 11/16"	33 13/16"
36"	12"	33 1/8"	38 1/8"
37"	12"	36 11/16"	38 13/16"
39"	12"	35 1/4"	40 1/4"
42"	12"	37 3/8"	42 3/8"
45"	12"	39 1/2"	44 1/2"
48"	12"	41 5/8"	46 5/8"

Notes

Base Cabinets

Construction Options and Modifications

B	12	24	40	R	•FH
code	width	depth	height	hinge	suffix

Note: Standard base cabinet box depth is 24" unless stated otherwise. Add door thickness with bumpers for total depth.

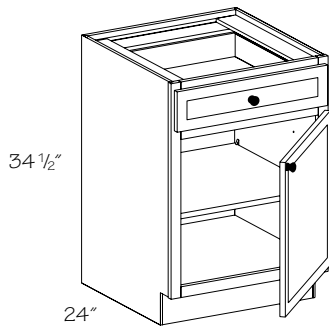
When BUTT is in all capitals, it **must** be included as part of your ordering nomenclature. A (Butt) in parentheses is for your information and isn't required on an order form.

Material dimensions listed may vary slightly from actual dimensions of the product. Specifications subject to change without notice.

- ❖ Included as standard
- Available with an upcharge
- ☆ Available with exceptions
- (Blank) **Not** available

- PE Plywood Ends
- APC All Plywood Construction
- APFC All Plywood Furniture Construction
- FPEB Furniture Plywood Ends
- MI Matching Interior
- DE Integrated Decorative End
- OE Operational End
- AD_E Attached Decorative End
- CW Change Width
- RD Reduced Depth
- CH Change Height
- IF Inverted Frame
- TWR Top Wide Rail
- WR Wide Bottom Rail
- XS Extended Stile
- XSG Integrated Extended Stile
- GD Glass Doors
- RTK Recessed Toe Kick
- RTKP Recessed Toe Kick Peninsula
- VTK Void Toe Kick
- TKD Toe Kick Drawer

Base Single Door



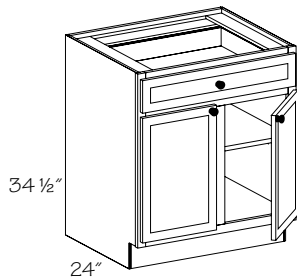
- ◆★†B9 R or L.1D
- B12 R or L
- B15 R or L
- B18 R or L
- B21 R or L
- B24 R or L

- Change Width (CW) option **not** available
- ◆ Recessed Toe Kick Both Sides (RTKB) **not** available
- ★ Glass door option **not** available
- † Toe Kick Drawer (TKD) option **not** available

- t hinging
- One adjustable shelf
- ☆ Operational End (OE) is **not** available with Reduced Depth (RD) option

● PE	● IF
● APC	● TWR
● APFC	● WR
● FPEB	● XS
● MI	● XSG
● DE	☆ GD
☆ OE	☆ RTK
● AD_E	● RTKP
☆ CW	● VTK
● RD	☆ TKD
● CH	

Base Double Door



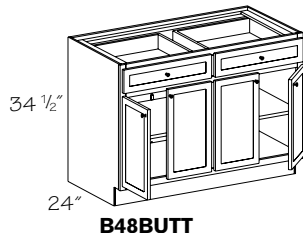
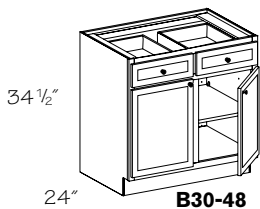
- B24 BUTT
- B27 (Butt)
- B30
- B30 BUTT
- B33
- B33 BUTT
- B36
- B36 BUTT
- B39

- Change Width (CW) option **not** available

- One adjustable shelf
- ☆ Operational End (OE) is **not** available with Reduced Depth (RD) option

● PE	● IF
● APC	● TWR
● APFC	● WR
● FPEB	● XS
● MI	● XSG
● DE	● GD
☆ OE	● RTK
● AD_E	● RTKP
☆ CW	● VTK
● RD	● TKD
● CH	

Base Double Door Double Drawer



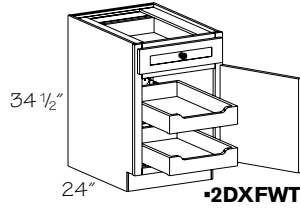
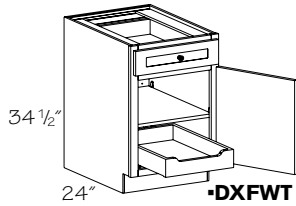
- B30 .2D
- B33 .2D
- B36 .2D
- B39 .2D
- B42

- † B45
- † B48
- ▲†B48 BUTT

- † Toe Kick Drawer (TKD) option **not** available
- Change Width (CW) option **not** available
- ▲ Two pair of butt doors

- 3" center stile
- Two drawers
- One adjustable shelf
- ☆ Operational End (OE) is **not** available with Reduced Depth (RD) option

● PE	● IF
● APC	● TWR
● APFC	● WR
● FPEB	● XS
● MI	● XSG
● DE	● GD
☆ OE	● RTK
● AD_E	● RTKP
☆ CW	● VTK
● RD	☆ TKD
● CH	

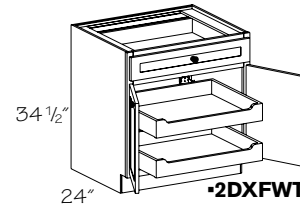
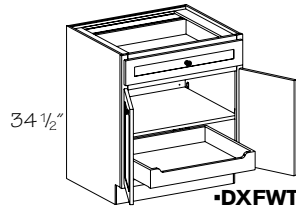


Base Single Door w/Deluxe Dovetailed Full-Width Tray(s)

- One tray, one adjustable shelf
- **B12 R or L.DXFWT**
- **B15 R or L.DXFWT**
- **B18 R or L.DXFWT**
- **B21 R or L.DXFWT**
- **B24 R or L.DXFWT**
- Two trays, no shelf
- **B12 R or L.2DXFWT**
- **B15 R or L.2DXFWT**
- **B18 R or L.2DXFWT**
- **B21 R or L.2DXFWT**
- **B24 R or L.2DXFWT**
- Change Width (CW) option *not* available

- Specify R or L hinging
- Adjustable, full-width Roll-out Tray(s) (ROT)
- Roll-out Trays (ROT) are 4" deep, 5/8" solid wood dovetailed sides with 3/16" plywood bottom, notched front and full extension runners with integrated buffer
- ☆ Reduced Depth (RD) available in 18" and 21" depths only

● PE	● IF
● APC	● TWR
● APFC	● WR
● FPFB	● XS
● MI	● XSG
● DE	● GD
● OE	● RTK
● AD_E	● RTKP
☆ CW	● VTK
☆ RD	● TKD
● CH	



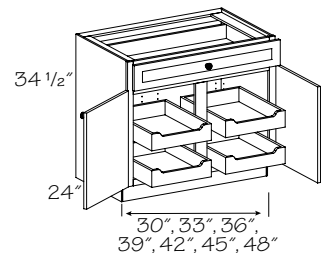
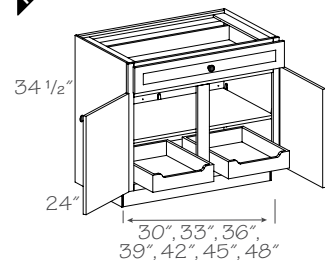
Base Double Door w/Deluxe Dovetailed Full-Width Tray(s)

- One tray, one adjustable shelf
- **B24 BUTT.DXFWT**
- **B27 (Butt).DXFWT**
- **B30 BUTT.DXFWT**
- **B33 BUTT.DXFWT**
- **B36 BUTT.DXFWT**
- Two trays, no shelf
- **B24 BUTT.2DXFWT**
- **B27 (Butt).2DXFWT**
- **B30 BUTT.2DXFWT**
- **B33 BUTT.2DXFWT**
- **B36 BUTT.2DXFWT**
- Change Width (CW) option *not* available

- Adjustable, full-width Roll-out Tray(s) (ROT)
- Roll-out Trays (ROT) are 4" deep, 5/8" solid wood dovetailed sides with 3/16" plywood bottom, notched front and full extension runners with integrated buffer
- ☆ Reduced Depth (RD) available in 18" and 21" depths only

● PE	● IF
● APC	● TWR
● APFC	● WR
● FPFB	● XS
● MI	● XSG
● DE	● GD
● OE	● RTK
● AD_E	● RTKP
☆ CW	● VTK
☆ RD	● TKD
● CH	

New

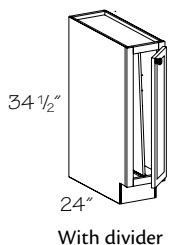


Base Double Door w/Deluxe Dovetailed Trays

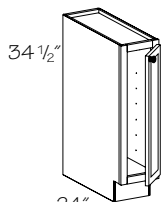
- Two trays, one adjustable shelf
- **B30 .2DXT**
- **B33 .2DXT**
- **B36 .2DXT**
- **B39 .2DXT**
- **B42 .2DXT**
- **B45 .2DXT**
- **B48 .2DXT**
- Four trays, no shelf
- **B30 .4DXT**
- **B33 .4DXT**
- **B36 .4DXT**
- **B39 .4DXT**
- **B42 .4DXT**
- **B45 .4DXT**
- **B48 .4DXT**
- (CW) option unavailable
- Grey color coding indicates new product, size or code.

- Adjustable, side-by-side Roll-out Trays
- Roll-out Trays are 4" deep, 5/8" solid wood dovetailed sides with 3/16" plywood bottom, notched front and full extension runners with integrated buffer
- ☆ (RD) available in 18" and 21" depths only
- Roll-out trays utilize the same center stile mounting block. Additional Deluxe Roll-out Tray - Center Stile Mounting Blocks (DXROT.CS) are required if Roll-out trays are preferred to be offset. Field modification required

● PE	● IF
● APC	● TWR
● APFC	● WR
● FPFB	● XS
● MI	● XSG
● DE	● GD
● OE	● RTK
● AD_E	● RTKP
☆ CW	● VTK
☆ RD	● TKD
● CH	



With divider



Without divider

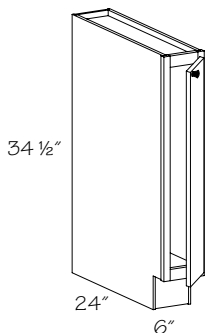
Base Full-Height Single Door w/Tray Divider

- With Tray Divider Without Tray Divider
- ★ **B9 R or L** ▲○※† **B6 R or L**
B9 R or L.VTD
- **Not** available with Operational End Door (OE) option
 - Change Height (CH) option **not** available
 - ★ Integrated Extended Stile (XSG) is **not** available
 - ▲ **Not** available with Recessed Toe Kick Peninsula (RTKP) Option
 - Recessed Toe Kick Both Sides (RTKB) **not** available
 - ※ Wide Rail Plain only (WR)
 - † Door defaults to a slab design with an outside profile matching the selected door style

- Specify R or L hinging
- Full-height door
- One full-height tray divider
- Vega doors will have a solid, recessed flat panel
- ☆ Tray divider **cannot** be included when Reduced Depth (RD) option of less than 6" is selected
- ☆ Recessed Toe Kick Peninsula Both Sides (RTKPB) **not** available
- ☆ Operational End (OE) is **not** available with Reduced Depth (RD) option

● PE	IF
● APC	TWR
● APFC	● WR
● FPEB	● XS
● MI	☆ XSG
● DE	GD
☆ OE	☆ RTK
● AD_E	☆ RTKP
● CW	● VTK
☆ RD	TKD
☆ CH	

Base Full-Height Single Door - Full Overlay

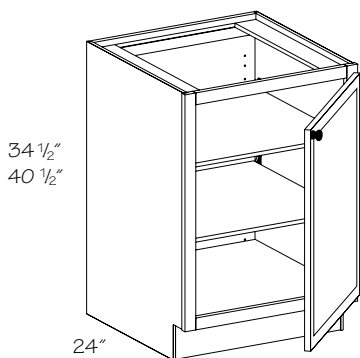


- ※♦† **B6 R or L.FO**
- ※ Recessed Toe Kick Both Sides (RTKB) **not** available
 - ♦ Recessed Toe Kick Peninsula Both Sides (RTKPB) **not** available
 - † Door defaults to a slab design with an outside profile matching the selected door style

- Specify R or L hinging
- Frame rails are 15/16" wide
- Available in full overlay only
- Full-height door
- ☆ Wide Rail Plain only (WR)
- Maximum Change Width (CW) 8 15/16"

● PE	IF
● APC	TWR
● APFC	☆ WR
● FPEB	● XS
● MI	● XSG
● DE	GD
● OE	☆ RTK
AD_E	☆ RTKP
● CW	● VTK
● RD	TKD
● CH	

Base Full-Height Single Door

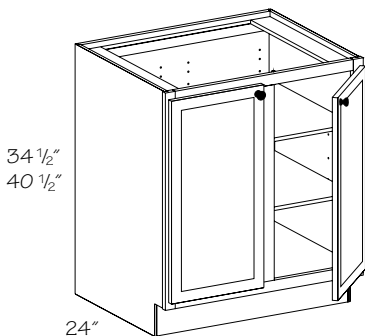


- | | |
|---------------------------|-----------------------------|
| 34 1/2" High, two shelves | 40 1/2" High, three shelves |
| B12 R or L.FH | B122440 R or L.FH |
| B15 R or L.FH | B152440 R or L.FH |
| B18 R or L.FH | B182440 R or L.FH |
| B21 R or L.FH | B212440 R or L.FH |
| B24 R or L.FH | B242440 R or L.FH |

- Specify R or L hinging
- Full-height door
- Adjustable shelves
- ☆ Operational End (OE) is **not** available with Reduced Depth (RD) option

● PE	IF
● APC	TWR
● APFC	● WR
● FPEB	● XS
● MI	● XSG
● DE	● GD
☆ OE	● RTK
● AD_E	● RTKP
● CW	● VTK
● RD	TKD
● CH	

Base Full-Height Double Door

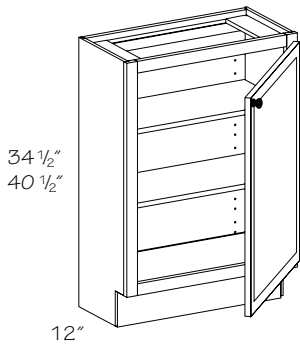


- | | |
|---------------------------|-----------------------------|
| 34 1/2" High, two shelves | 40 1/2" High, three shelves |
| ○ B24 BUTT.FH | ○ B242440 BUTT.FH |
| B27 (Butt).FH | B272440 (Butt).FH |
| B30 .FH | B302440 .FH |
| B30 BUTT.FH | B302440 BUTT.FH |
| B33 .FH | B332440 .FH |
| B33 BUTT.FH | B332440 BUTT.FH |
| B36 .FH | B362440 .FH |
| B36 BUTT.FH | B362440 BUTT.FH |
| B39 .FH | |
| B42 .FH | |
| † B45 .FH | |
| † B48 .FH | |
| ▲○† B48 BUTT.FH | |
- Change Width (CW) option **not** available
 - † Toe Kick Drawer (TKD) option **not** available
 - ▲ Two pair of butt doors

- Full-height door
- Adjustable shelves
- Only full-width Roll-out Trays (ROT) are available factory installed on 40 1/2" high Base cabinets
- ☆ Operational End (OE) is **not** available with Reduced Depth (RD) option

● PE	IF
● APC	TWR
● APFC	● WR
● FPEB	● XS
● MI	● XSG
● DE	● GD
☆ OE	● RTK
● AD_E	● RTKP
☆ CW	● VTK
● RD	☆ TKD
● CH	

Base Full-Height Single Door 12" Deep



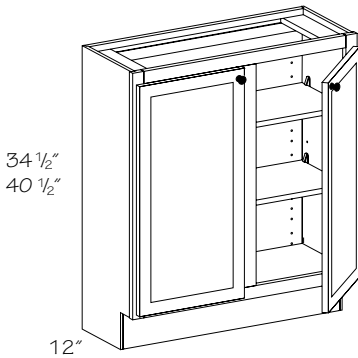
34 1/2" High - two shelves
B1212 R or L.FH
B1512 R or L.FH
B1812 R or L.FH
B2112 R or L.FH
B2412 R or L.FH

40 1/2" High - three shelves
B121240 R or L.FH
B151240 R or L.FH
B181240 R or L.FH
B211240 R or L.FH
B241240 R or L.FH

- Specify R or L hinging
- Full-height door
- Adjustable shelves
- ☆ Operational End (OE) is **not** available with Reduced Depth (RD) option

● PE	● IF
● APC	● TWR
● APFC	● WR
● FPFB	● XS
● MI	● XSG
● DE	● GD
☆ OE	● RTK
● AD_E	● RTKP
● CW	● VTK
● RD	● TKD
● CH	

Base Full-Height Double Door 12" Deep



34 1/2" High - two shelves
 ○ **B2412 BUTT.FH**
B2712 (Butt).FH
B3012 .FH
B3012 BUTT.FH
B3312 .FH
B3312 BUTT.FH
B3612 .FH
B3612 BUTT.FH
B3912 .FH
B4212 .FH
B4512 .FH
B4812 .FH
 ▲○ **B4812 BUTT.FH**

40 1/2" High - three shelves
 ○ **B241240 BUTT.FH**
B271240 (Butt).FH
B301240 .FH
B301240 BUTT.FH
B331240 .FH
B331240 BUTT.FH
B361240 .FH
B361240 BUTT.FH

- Full-height door
- Adjustable shelves
- ☆ Operational End (OE) is **not** available with Reduced Depth (RD) option



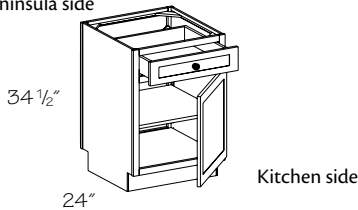
Remember, a cabinet designated

BUTT or (Butt) has no center stile. When you see the word BUTT in all capitals, it **must** be included as part of your ordering nomenclature, a (Butt) in parentheses is for your information and isn't required on an order form

● PE	● IF
● APC	● TWR
● APFC	● WR
● FPFB	● XS
● MI	● XSG
● DE	● GD
☆ OE	● RTK
● AD_E	● RTKP
☆ CW	● VTK
● RD	● TKD
● CH	

- Change Width (CW) option **not** available
- ▲ Two pair of butt doors

Peninsula side



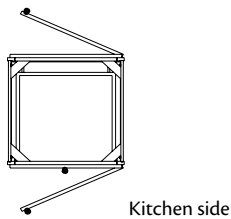
Peninsula Base Single Door

PB12 R or L
PB15 R or L
PB18 R or L
PB21 R or L
PB24 R or L

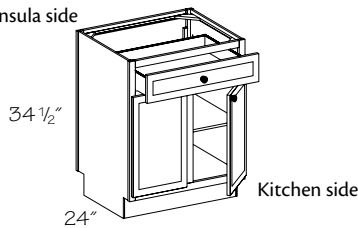
- Specify R or L for door hinging on kitchen side
- One adjustable shelf
- False drawer front on peninsula side
- Both doors hinged on same end panel

● PE	● IF
● APC	● TWR
● APFC	● WR
● FPFB	● XS
● MI	● XSG
● DE	● GD
● OE	● RTK
● AD_E	◇ RTKP
● CW	● VTK
● RD	● TKD
● CH	

Peninsula side



Peninsula side



Peninsula Base Double Door

One drawer
 ○ **PB24 BUTT**
PB27 (Butt)
PB30
PB30 BUTT
PB33
PB33 BUTT
PB36
PB36 BUTT
PB39

Two drawers
PB30 .2D
PB33 .2D
PB36 .2D
PB39 .2D
PB42
PB45
PB48
 ▲○ **PB48 BUTT**

- One adjustable shelf
- False drawer front on peninsula side
- ☆ Glass inserts **not** available on ends

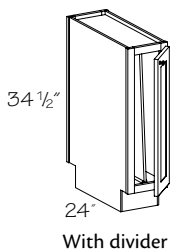


Remember, a cabinet designated

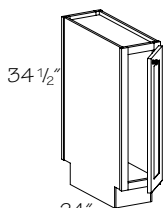
BUTT or (Butt) has no center stile. When you see the word BUTT in all capitals, it **must** be included as part of your ordering nomenclature, a (Butt) in parentheses is for your information and isn't required on an order form

● PE	● IF
● APC	● TWR
● APFC	● WR
● FPFB	● XS
● MI	● XSG
● DE	☆ GD
● OE	● RTK
● AD_E	◇ RTKP
☆ CW	● VTK
● RD	● TKD
● CH	

- Change Width (CW) option **not** available
- ▲ Four pair of butt doors



With divider



Without divider

Peninsula Base Full-Height Single Door w/Tray Divider

With Tray Divider

■ **PB9 R or L**

Without Tray Divider

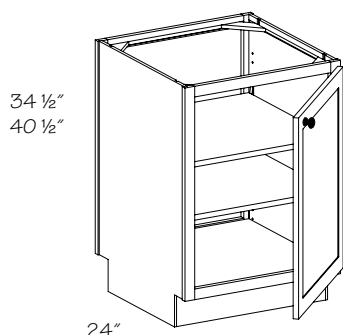
■ **PB9 R or L.VTD**

■ **Not** available with Operational End Door (OE) option

- Specify R or L for single door hinging
- Full-height door
- One full-height tray divider
- Both doors hinged on same end panel
- ☆ Tray divider **cannot** be included when Reduced Depth (RD) option of less than 6" is selected
- ☆ Recessed Toe Kick Peninsula Both Sides (RTKPB) **not** available
- ☆ Operational End (OE) is **not** available with Reduced Depth (RD) option

● PE	IF
● APC	● TWR
● APFC	● WR
● FPEB	● XS
● MI	XSG
● DE	GD
☆ OE	☆ RTK
● AD_E	● RTKP
● CW	● VTK
☆ RD	TKD
● CH	

Peninsula Base Full-Height Single Door



34 1/2"
40 1/2"

24"

Two shelves
34 1/2" High

- **PB12 R or L.FH**
- **PB15 R or L.FH**
- **PB18 R or L.FH**
- **PB21 R or L.FH**
- **PB24 R or L.FH**

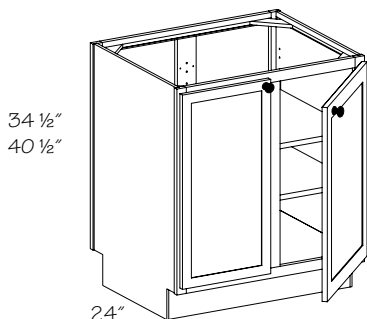
Three shelves
40 1/2" High

- **PB122440 R or L.FH**
- **PB152440 R or L.FH**
- **PB182440 R or L.FH**
- **PB212440 R or L.FH**
- **PB242440 R or L.FH**

- Specify R or L for door on kitchen side
- Adjustable shelves
- Both doors hinged on end panel

● PE	IF
● APC TWR
● APFC	● WR
● FPEB	● XS
● MI	XSG
● DE	● GD
● OE	● RTK
● AD_E	◇ RTKP
● CW	● VTK
● RD	TKD
● CH	

Peninsula Base Full-Height Double Door



34 1/2"
40 1/2"

24"

Two shelves
34 1/2" High

- **PB24 BUTT.FH**
- **PB27 (Butt).FH**
- **PB30 .FH**
- **PB30 BUTT.FH**
- **PB33 .FH**
- **PB33 BUTT.FH**
- **PB36 .FH**
- **PB36 BUTT.FH**
- **PB39 .FH**
- **PB42 .FH**
- **PB45 .FH**
- **PB48 .FH**

Three shelves
40 1/2" High

- **PB242440 BUTT.FH**
- **PB272440 (Butt).FH**
- **PB302440 .FH**
- **PB302440 BUTT.FH**
- **PB332440 .FH**
- **PB332440 BUTT.FH**
- **PB362440 .FH**
- **PB362440 BUTT.FH**

- Adjustable shelves
- ☆ Glass inserts **not** available on ends

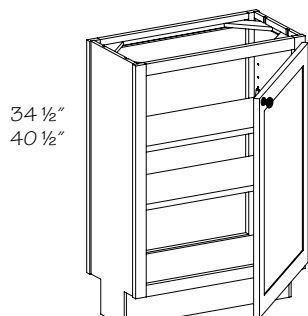


Remember, a cabinet designated

BUTT or (Butt) has no center stile. When you see the word BUTT in all capitals, it **must** be included as part of your ordering nomenclature, a (Butt) in parentheses is for your information and isn't required on an order form

● PE	IF
● APC	TWR
● APFC	● WR
● FPEB	● XS
● MI	XSG
● DE	☆ GD
● OE	● RTK
● AD_E	◇ RTKP
☆ CW	● VTK
● RD	TKD
● CH	

Peninsula Base Full-Height Single Door 12" Deep



34 1/2"
40 1/2"

12"

Two shelves
34 1/2" High

- **PB1212 R or L.FH**
- **PB1512 R or L.FH**
- **PB1812 R or L.FH**
- **PB2112 R or L.FH**
- **PB2412 R or L.FH**

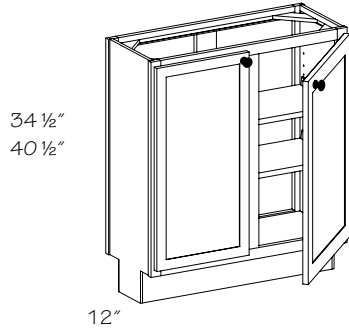
Three shelves
40 1/2" High

- **PB121240 R or L.FH**
- **PB151240 R or L.FH**
- **PB181240 R or L.FH**
- **PB211240 R or L.FH**
- **PB241240 R or L.FH**

- Specify R or L for door hinging on kitchen side
- Adjustable shelves
- Both doors hinged on same end panel

● PE	IF
● APC	TWR
● APFC	● WR
● FPEB	● XS
● MI	XSG
● DE	● GD
● OE	● RTK
● AD_E	◇ RTKP
● CW	● VTK
● RD	TKD
● CH	

Peninsula Base Full-Height Double Door 12" Deep



Two shelves
34 1/2" High

- PB2412 BUTT.FH
- PB2712 (Butt).FH
- PB3012 .FH
- PB3012 BUTT.FH
- PB3312 .FH
- PB3312 BUTT.FH
- PB3612 .FH
- PB3612 BUTT.FH
- PB3912 .FH
- PB4212 .FH
- PB4512 .FH
- PB4812 .FH
- ▲PB4812 BUTT.FH

Three shelves
40 1/2" High

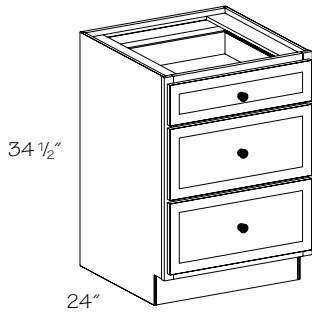
- PB241240 BUTT.FH
- PB271240 (Butt).FH
- PB301240 .FH
- PB301240 BUTT.FH
- PB331240 .FH
- PB331240 BUTT.FH
- PB361240 .FH
- PB361240 BUTT.FH

- Specify R or L for door hinging on kitchen side
- Adjustable shelves
- ☆ Glass inserts *not* available on ends

● PE	IF
● APC	TWR
● APFC	● WR
● FPFB	● XS
● MI	XSG
● DE	☆ GD
● OE	● RTK
● AD_E	◇ RTKP
☆ CW	● VTK
● RD	TKD
● CH	

- Change Width (CW) option *not* available
- ▲ Two pair of butt doors

Base Three Drawer

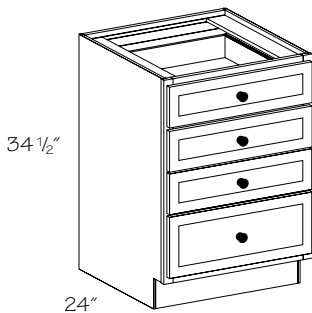


- | | |
|---------|---------|
| BD12 .3 | BD30 .3 |
| BD15 .3 | BD33 .3 |
| BD18 .3 | BD36 .3 |
| BD21 .3 | BD39 .3 |
| BD24 .3 | BD42 .3 |
| BD27 .3 | |

- One standard drawer
- Two deep drawers

● PE	IF
● APC	● TWR
● APFC	● WR
● FPFB	● XS
● MI	XSG
● DE	GD
● OE	● RTK
● AD_E	● RTKP
● CW	● VTK
● RD	● TKD
● CH	

Base Four Drawer

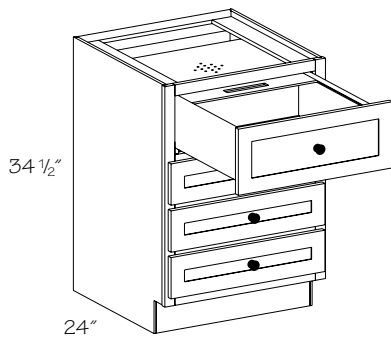


- | | |
|------|------|
| BD12 | BD27 |
| BD15 | BD30 |
| BD18 | BD33 |
| BD21 | BD36 |
| BD24 | BD39 |

- Three standard height drawers
- One deep bottom drawer

● PE	IF
● APC	● TWR
● APFC	● WR
● FPFB	● XS
● MI	XSG
● DE	GD
● OE	● RTK
● AD_E	● RTKP
● CW	● VTK
● RD	● TKD
● CH	

Bread Box Drawer

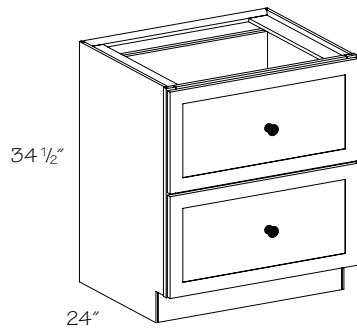


BBD15
BBD18
BBD21
BBD24

- Three standard height drawers
- One deep top drawer with factory installed Sliding Bread Box Lid (SBB)

● PE	IF
● APC	TWR
● APFC	● WR
● FPEB	● XS
MI	XSG
● DE	GD
OE	● RTK
● AD_E	● RTKP
CW	● VTK
RD	● TKD
CH	

Base Pots and Pans Storage Two Drawer



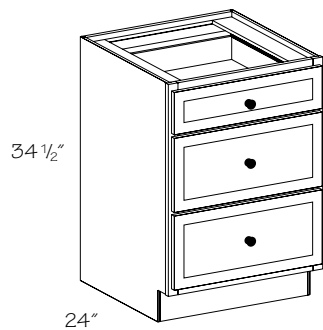
○ **BPPS12 .2**
BPPS15 .2
BPPS18 .2
BPPS21 .2
BPPS24 .2
BPPS27 .2
BPPS30 .2
BPPS33 .2
BPPS36 .2
BPPS39 .2
BPPS42 .2

- Two 10" deep solid wood drawers
- Uses Whisper Touch™ Drawer Runners – Two Drawer Cabinets
- ☆ Minimum Reduced Depth (RD) is 21"

● PE	IF
● APC	TWR
● APFC	● WR
● FPEB	● XS
MI	XSG
DE	GD
OE	● RTK
● AD_E	● RTKP
☆ CW	● VTK
☆ RD	● TKD
CH	

- Change Width (CW) option *not* available

Base Pots and Pans Storage Three Drawer



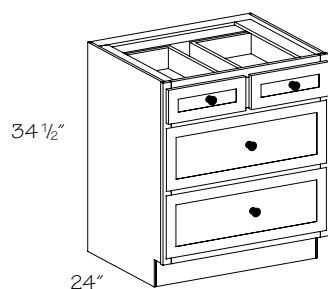
BPPS18
BPPS21
◆ **BPPS24**
◆ **BPPS27**
◆ **BPPS30**
◆ **BPPS33**
◆ **BPPS36**

- One standard drawer
- Two deep drawers

- ◆ Prep for Warming Drawer (PWD) option is available. See Construction Options section

● PE	IF
● APC	● TWR
● APFC	● WR
● FPEB	● XS
MI	XSG
● DE	GD
OE	● RTK
● AD_E	● RTKP
● CW	● VTK
● RD	● TKD
CH	

Base Pots and Pans Storage Four Drawer

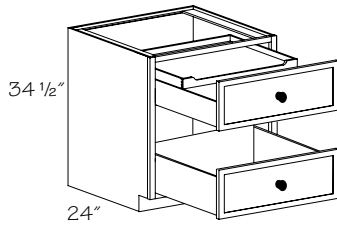


BPPS30 .4
BPPS36 .4

- Two standard drawers
- Two deep drawers
- Prep for Warming Drawer (PWD) option is available. See Construction Options section

● PE	IF
● APC	TWR
● APFC	● WR
● FPEB	● XS
MI	XSG
● DE	GD
OE	● RTK
● AD_E	● RTKP
● CW	● VTK
● RD	● TKD
CH	

Base Deep Drawer Combination

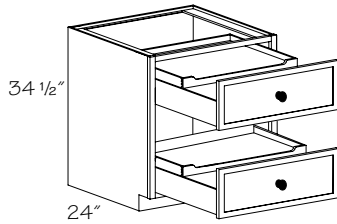


- **BDDC18 .2.TT**
- **BDDC24 .2.TT**
- **BDDC30 .2.TT**
- **BDDC36 .2.TT**
- Change Width (CW) option **not** available

- One 7" deep solid wood drawer
- One 10" deep solid wood drawer
- One 3" deluxe rollout tray above the top drawer
- Uses Whisper Touch™ Drawer Runners – Two Drawer Cabinets
- Adjustable Drawer Dividers (ADD) **not** available in top drawer
- ☆ Minimum Reduced Depth (RD) is 21"

● PE	IF
● APC	TWR
● APFC	● WR
● FPEB	● XS
MI	XSG
● DE	GD
OE	● RTK
● AD_E	● RTKP
☆ CW	● VTK
☆ RD	● TKD
CH	

Base Deep Drawer Combination - Top & Bottom Tray

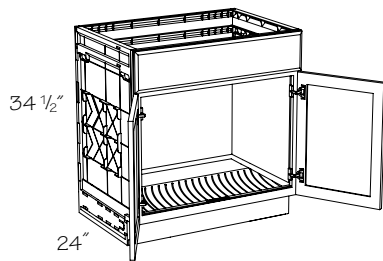


- **BDDC18 .2.TBT**
- **BDDC24 .2.TBT**
- **BDDC30 .2.TBT**
- **BDDC36 .2.TBT**
- Change Width (CW) option **not** available

- Two 7" solid wood drawers
- 3" deluxe rollout tray above the top and bottom drawer
- Uses Whisper Touch™ Drawer Runners
- Adjustable Drawer Dividers (ADD) **not** available
- ☆ Minimum Reduced Depth (RD) is 21"

● PE	IF
● APC	TWR
● APFC	● WR
● FPEB	● XS
MI	XSG
● DE	GD
OE	● RTK
● AD_E	● RTKP
☆ CW	● VTK
☆ RD	● TKD
CH	

CoreGuard® Sink Base



- **SB24 BUTT.CG**
- **SB27 (Butt).CG**
- **SB30 BUTT.CG**
- **SB33 BUTT.CG**
- **SB36 BUTT.CG**

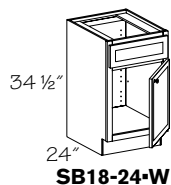
- Easy to clean and durable sink base helps protect the cabinetry from everyday leaks and spills
- Back, end and bottom panels are made of an engineered polymer material
- Bottom panel slants 1° toward front of cabinet and has raised ribs to slightly elevate stored items
- Decorative end panel required for end of peninsula or island. **Not** included, order separately
- No shelf
- One full-width false drawer front above doors
- Use CoreGuard® Panel Backer in the paneling section to resolve cutting and installation errors
- Optional Door Storage Unit (SBDSU) is available
- Optional Utensil Trays (UT and SUT) are available
- Will **not** accommodate Roll-out Trays (ROT)
- Includes a Touch-Up Kit (TUK)

PE	IF
APC	● TWR
APFC	WR
FPEB	● XS
MI	XSG
DE	GD
OE	RTK
AD_E	RTKP
CW	VTK
RD	TKD
CH	

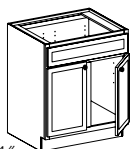
Opening Sizes		
Cabinet	Top Width	Top Depth
SB24BUTT.CG	21 1/16"	22 3/8"
SB27.CG	24 1/16"	22 3/8"
SB30BUTT.CG	27 1/16"	22 3/8"
SB33BUTT.CG	30 1/16"	22 3/8"
SB36BUTT.CG	33 1/16"	22 3/8"



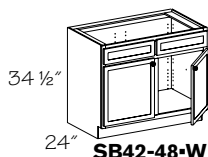
Caution: For an island/peninsula installation, the CoreGuard® Sink cabinet **must** have a minimum of one (1) 15" cabinet or larger installed adjacent to it in order for the island/peninsula to have adequate structural stability. Accessories **cannot** be installed on end panels, back or floor of the cabinet



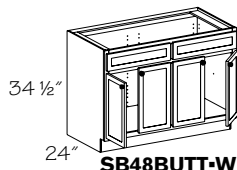
SB18-24-W



SB24BUTT-39-W



SB42-48-W



SB48BUTT-W

Wood Sink Base

One Drawer Front

- **SB18 R or L.W**
- **SB21 R or L.W**
- **SB24 R or L.W**
- **SB24 BUTT.W**
- **SB27 (Butt).W**
- **SB30 BUTT.W**
- **SB33 BUTT.W**
- **SB36 BUTT.W**
- ◆ **SB39 .W**

Two Drawer Fronts

- ◆ **SB42 .W**
- ◆† **SB45 .W**
- ◆† **SB48 .W**
- ◆†■ **SB48 BUTT.W**

- Change Width (CW) option **not** available
- ◆ Deluxe Dovetailed full-width Trays (DXFWT) **not** available
- † Toe Kick Drawer (TKD) option **not** available
- Glass inserts **not** available on ends

- Specify R or L for single door hinging
- No shelf
- False drawer front(s)
- Optional Door Storage Unit (SBDSU) is available
- Optional Utensil Trays (UT and SUT) are available
- Includes a Touch-Up Kit (TUK)
- Use Full-Height Kitchen (FHK) option to achieve a full-height door look
- ☆ Operational End (OE) is **not** available with Reduced Depth (RD) option

● PE	● IF
● APC	● TWR
● APFC	● WR
● FPEB	● XS
● MI	● XSG
● DE	☆ GD
☆ OE	● RTK
● AD_E	● RTKP
☆ CW	● VTK
● RD	☆ TKD
● CH	

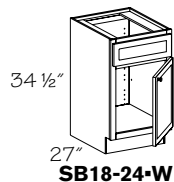


When you need an inverted frame for a sink base cabinet, consider using a regular base with a drawer instead of a sink base if plumbing allows. This way you get a working drawer at the bottom of your cabinet.

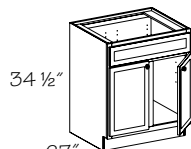


Remember, a cabinet designated BUTT or (Butt) has no center stile. When you see the word BUTT in all capitals, it **must** be included as part of your ordering nomenclature, a (Butt) in parentheses is for your information and isn't required on an order form

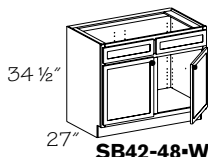
Wood Sink Base 27" Deep



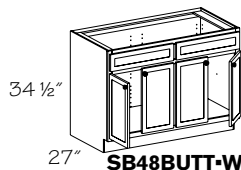
SB18-24-W



SB24BUTT-39-W



SB42-48-W



SB48BUTT-W

One Drawer Front

- **SB1827 R or L.W**
- **SB2127 R or L.W**
- **SB2427 R or L.W**
- **SB2427 BUTT.W**
- **SB2727 (Butt).W**
- **SB3027 BUTT.W**
- **SB3327 BUTT.W**
- **SB3627 BUTT.W**
- **SB3927 .W**

Two Drawer Fronts

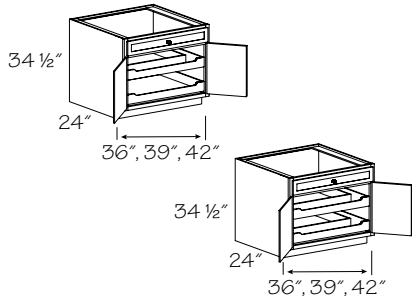
- **SB4227 .W**
- **SB4527 .W**
- **SB4827 .W**
- **SB4827 BUTT.W**

- Change Width (CW) option **not** available
- Glass inserts **not** available on ends

- Specify R or L for single door hinging
- No shelf
- False drawer front(s)
- Optional Door Storage Unit (SBDSU) is available
- Optional Utensil Trays (UT and SUT) are available
- Will **not** accommodate Roll-out Trays (ROT)
- Includes a Touch-Up Kit (TUK)
- Use Full-Height Kitchen (FHK) option to achieve a full-height door look
- ☆ Operational End (OE) is **not** available with Reduced Depth (RD) option

● PE	● IF
● APC	● TWR
● APFC	● WR
● FPEB	● XS
● MI	● XSG
● DE	☆ GD
☆ OE	● RTK
● AD_E	● RTKP
☆ CW	● VTK
● RD	TKD
● CH	

Sink Base w/Roll-Out Trays

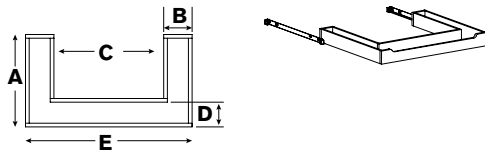
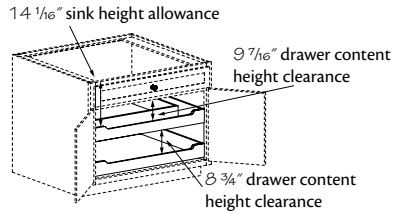


One Deep Full Width Tray,
One Deep "U" Shaped Tray

SB36 .2SBROT.1U
SB39 .2SBROT.1U
SB42 .2SBROT.1U

Two Deep "U" Shaped Trays

SB36 .2SBROT.2U
SB39 .2SBROT.2U
SB42 .2SBROT.2U

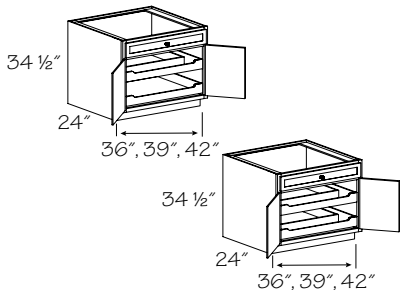


Cabinet	Opening	A	B	C	D	E
SB36.2SBROT	33"	17 9/16"	5 5/16"	21 3/16"	4 1/8"	31 13/16"
SB39.2SBROT	36"	17 9/16"	5 5/16"	24 3/16"	4 1/8"	34 13/16"
SB42.2SBROT	39"	17 9/16"	5 5/16"	27 3/16"	4 1/8"	37 13/16"

● PE	● IF
● APC	● TWR
● APFC	● WR
● FPFB	● XS
● MI	● XSG
● DE	● GD
● OE	● RTK
● AD_E	● RTKP
● CW	● VTK
● RD	● TKD
● CH	

- Two door cabinet with top false drawer front; two Sink Base Roll-out Trays (ROT) in the door section
- "U" shaped drawers are 21" Deep; 4" High
- Full Width Deep drawers are 21" Deep; 4" High
- Roll-out Trays (ROT) are 5/8" solid wood dovetailed sides with 3/16" plywood bottom, notched front and full extension runners with integrated buffer
- SB36 is designed for a 30" sink
- SB39 is designed for a 33" sink
- SB42 is designed for a 36" sink
- Cabinets are **not** designed for sinks with drains that are offset toward the outer edges. Be sure to check sink manufacturer's specifications for drain placement and clearance requirements. Also consider clearance for disposals and other under-sink appliances

Sink Base w/Roll-Out Trays and Utensil Tray

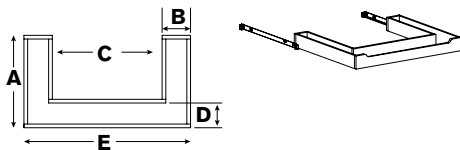
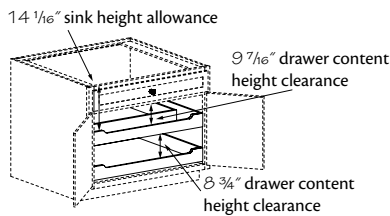


One Standard Full Width Tray,
One "U" shaped Tray

SB36 .SUT.2SBROT.1U
SB39 .SUT.2SBROT.1U
SB42 .SUT.2SBROT.1U

Two "U" Shaped Trays

SB36 .SUT.2SBROT.2U
SB39 .SUT.2SBROT.2U
SB42 .SUT.2SBROT.2U

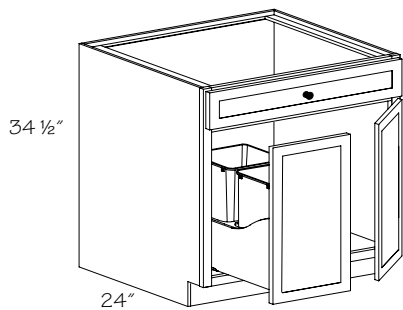


Cabinet	Opening	A	B	C	D	E
SB36.SUT.2SBROT	33"	17 9/16"	5 5/16"	21 3/16"	4 1/8"	31 13/16"
SB39.SUT.2SBROT	36"	17 9/16"	5 5/16"	24 3/16"	4 1/8"	34 13/16"
SB42.SUT.2SBROT	39"	17 9/16"	5 5/16"	27 3/16"	4 1/8"	37 13/16"

● PE	● IF
● APC	● TWR
● APFC	● WR
● FPFB	● XS
● MI	● XSG
● DE	● GD
● OE	● RTK
● AD_E	● RTKP
● CW	● VTK
● RD	● TKD
● CH	

- Two door cabinet with top stainless utensil tray; two Sink Base Roll-out Trays (ROT) in the door section
- "U" shaped drawers are 21" Deep; 4" High
- Full Width Deep drawers are 21" Deep; 4" High
- Roll-out Trays (ROT) are 5/8" solid wood dovetailed sides with 3/16" plywood bottom, notched front and full extension runners with integrated buffer
- SB36 is designed for a 30" sink
- SB39 is designed for a 33" sink
- SB42 is designed for a 36" sink
- Cabinets are **not** designed for sinks with drains that are offset toward the outer edges. Be sure to check sink manufacturer's specifications for drain placement and clearance requirements. Also consider clearance for disposals and other under-sink appliances

Sink Base Wastebasket



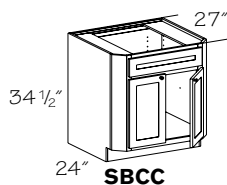
- | | |
|---|--|
| <p><i>Right Side</i></p> <ul style="list-style-type: none"> *+ SBWBR30 BUTT.W *+ SBWBR33 BUTT.W *▲ SBWBR36 BUTT.W | <p><i>Left Side</i></p> <ul style="list-style-type: none"> ◆+ SBWBL30 BUTT.W ◆+ SBWBL33 BUTT.W ◆▲ SBWBL36 BUTT.W |
|---|--|

- * **Not** available with Operational End (OE) right
- ◆ **Not** available with Operational End (OE) left
- + One 35 qt. capacity white basket
- ▲ Two 35 qt. capacity white baskets

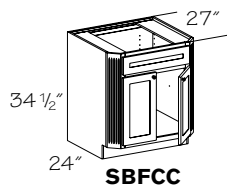
- Sink **must** be a single bowl with an offset drain opposite the wastebasket
- Sink **cannot** be deeper than 8" for under mount applications and 9" for top mount applications because of wastebasket interference
- No shelf
- False Front
- Includes a Touch-Up Kit (TUK)

● PE	● IF
● APC	● TWR
● APFC	● WR
● FPFB	● XS
MI	XSG
● DE	GD
☆ OE	● RTK
● AD_E	● RTKP
CW	● VTK
RD	● TKD
CH	

Sink Base-Clipped and Fluted Clipped Corners



SBCC



SBFCC

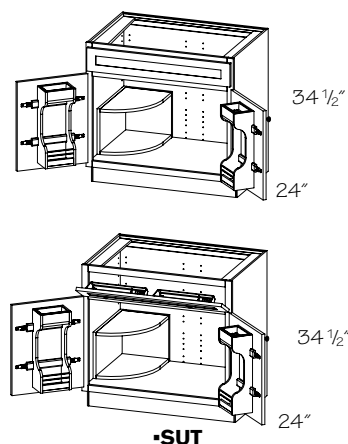
- | | |
|--|---|
| <p><i>Clipped Corners</i></p> <ul style="list-style-type: none"> SBCC3027 BUTT SBCC3327 BUTT SBCC3627 BUTT SBCC4227 BUTT | <p><i>Fluted Clipped Corners</i></p> <ul style="list-style-type: none"> ▲ SBFCC3027 BUTT ▲ SBFCC3327 BUTT ▲ SBFCC3627 BUTT ▲ SBFCC4227 BUTT |
|--|---|

- ▲ Quartersawn door styles are supplied plain sawn

- No shelf
- False drawer front
- Optional Door Storage Unit (SBDSU) is available
- Optional Utensil Trays (UT and SUT) are available
- Angled stiles extend 3" each side
- Nominal width is overall cabinet width. Order Example: SBCC3027BUTT is 30" wide
- Factory installed Roll-out Trays (ROT) are **not** available
- Can be used as corner sink by butting up adjacent cabinets to the clipped corner area
- Includes a Touch-Up Kit (TUK)
- Use Full-Height Kitchen (FHK) option to achieve a full-height door look
- ☆ Minimum Reduced Depth (RD) is 15"

● PE	● IF
● APC	● TWR
● APFC	WR
● FPFB	XS
MI	XSG
DE	● GD
OE	RTK
AD_E	RTKP
CW	● VTK
☆ RD	TKD
CH	

Sink Base Multi-Storage Cabinet



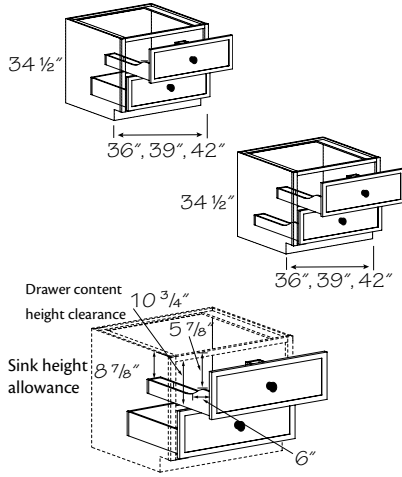
- | | |
|--|--|
| <p><i>No Tray</i></p> <ul style="list-style-type: none"> SBMS30 BUTT SBMS33 BUTT SBMS36 BUTT ◆ SBMS39 ◆ SBMS42 | <p><i>With Stainless Utensil Tray</i></p> <ul style="list-style-type: none"> SBMS30 BUTT.SUT SBMS33 BUTT.SUT SBMS36 BUTT.SUT ◆ SBMS39 .SUT ◆ SBMS42 .SUT |
|--|--|

- ◆ 3" center stile

- No shelf
- False drawer front(s)
- Includes two Door Storage Units (SBDSU) and one Multi-Storage Shelf (SBMSSK)
- Sink Base Multi-Storage Shelf Kit (SBMSSK) shipped separately
- ☆ Sink Base Multi-Storage Shelf Kit (SBMSSK) is Natural Birch plywood and does **not** come matching
- Includes a Touch-Up Kit (TUK)

● PE	● IF
● APC	● TWR
● APFC	● WR
● FPFB	● XS
☆ MI	XSG
● DE	GD
OE	● RTK
● AD_E	● RTKP
CW	● VTK
RD	● TKD
CH	

Sink Base Drawer



One "U" Shaped Drawer,
One Full Width Drawer

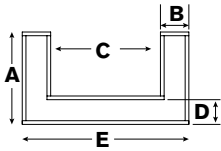
- SB36 .2D1U**
- SB39 .2D1U**
- SB42 .2D1U**

Two "U" Shaped Drawers

- SB36 .2D2U**
- SB39 .2D2U**
- SB42 .2D2U**

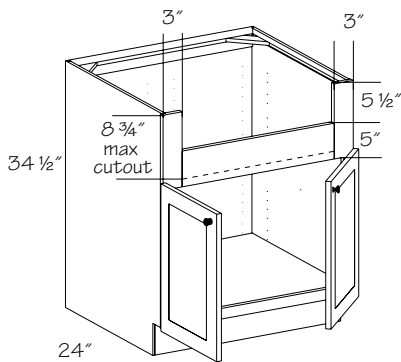
● PE	● IF
● APC	● TWR
● APFC	● WR
● FPFB	● XS
● MI	● XSG
● DE	● GD
● OE	● RTK
● AD_E	● RTKP
● CW	● VTK
● RD	● TKD
● CH	

- "U" shaped drawers are 7" to 4" scoop, 21" deep
- Full width drawer is 7" high, 21" deep (**Not** "U" shaped)
- SB36 is designed for a 30" sink
- SB39 is designed for a 33" sink
- SB42 is designed for a 36" sink
- Cabinets are **not** designed for sinks with drains that are offset toward the outer edges. Be sure to check sink manufacturer's specifications for drain placement and clearance requirements. Also consider clearance for disposals and other under-sink appliances



Cabinet	Opening	A	B	C	D	E
SB36.2D(1U&2U)	33"	17 9/16"	5 5/16"	21 11/16"	4 1/8"	32 5/16"
SB39.2D(1U&2U)	36"	17 9/16"	5 5/16"	24 11/16"	4 1/8"	35 5/16"
SB42.2D(1U&2U)	39"	17 9/16"	5 5/16"	27 11/16"	4 1/8"	38 5/16"

Deep Sink Base



- DSB30 BUTT**
- DSB33 BUTT**
- DSB36 BUTT**
- DSB39 BUTT**
- DSB42 BUTT**

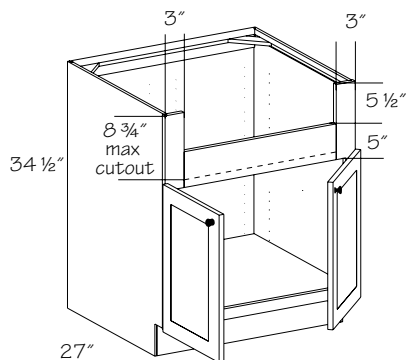
- 3" stiles are routed to 1 1/2" in the door area
- Includes a Touch-Up Kit (TUK)
- **Note:** Be sure to follow manufacturer's specifications to ensure proper sink fit



To avoid cutting the side walls of a sink base cabinet, make sure your sink base cabinet is at least 2 1/2" wider than the overall width of your sink. If your overall front-to-back sink depth is 22 1/2" or greater use a 27" deep sink base.

● PE	● IF
● APC	● TWR
● APFC	● WR
● FPFB	● XS
● MI	● XSG
● DE	● GD
● OE	● RTK
● AD_E	● RTKP
● CW	● VTK
● RD	● TKD
● CH	

Deep Sink Base 27" Deep

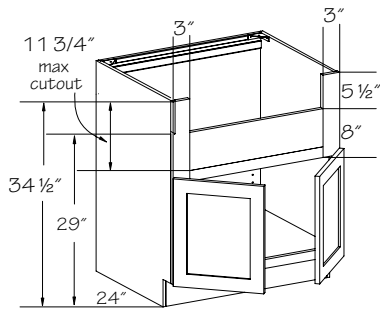


- DSB3027 BUTT**
- DSB3327 BUTT**
- DSB3627 BUTT**

- Will **not** accommodate Roll-out Trays (ROT)
- Maximum cutout height is 8 3/4"
- 3" stiles are routed to 1 1/2" in the door area
- Includes a Touch-Up Kit (TUK)
- **Note:** Be sure to follow manufacturer's specifications to ensure proper sink fit

● PE	● IF
● APC	● TWR
● APFC	● WR
● FPFB	● XS
● MI	● XSG
● DE	● GD
● OE	● RTK
● AD_E	● RTKP
● CW	● VTK
● RD	● TKD
● CH	

Deep Sink Base Extended

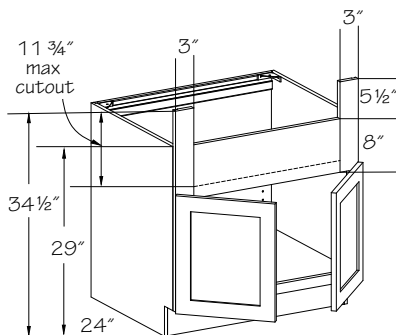


DSBE30 BUTT
DSBE33 BUTT
DSBE36 BUTT
DSBE39 BUTT
DSBE42 BUTT

- 3" stiles are routed to 1 1/2" in the door area
- Maximum cutout height is 11 3/4"
- Includes a Touch-Up Kit (TUK)
- **Note:** Be sure to follow manufacturer's specifications to ensure proper sink fit

● PE	IF
● APC	TWR
● APFC	● WR
● FPFB	● XS
● MI	XSG
DE	● GD
OE	● RTK
● AD_E	● RTKP
● CW	● VTK
● RD	● TKD
CH	

Apron Sink Base Extended



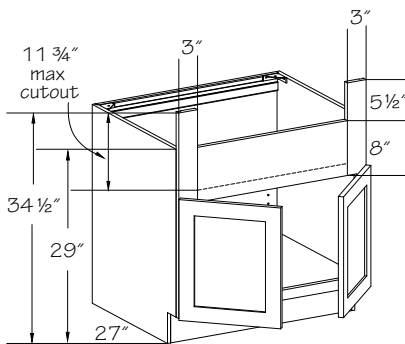
APSB30 BUTT
APSB33 BUTT
APSB36 BUTT
APSB39 BUTT
APSB42 BUTT
 † **APSB45 BUTT**
 † **APSB48 BUTT**

† Toe Kick Drawer (TKD) option **not** available

- No shelf
- 3" top stiles
- Maximum cutout height is 11 3/4"
- Additional support rails are required—refer to sink manufacturer
- Includes a Touch-Up Kit (TUK)
- All Plywood Furniture Construction (APFC) will be supplied when All Plywood Construction (APC) is selected; cabinets have standard furniture plywood ends
- **Note:** Be sure to follow manufacturer's specifications to ensure proper sink fit

PE	IF
● APC	TWR
☆ APFC	● WR
◇ FPFB	● XS
● MI	XSG
DE	● GD
OE	RTK
AD_E	RTKP
● CW	● VTK
● RD	☆ TKD
CH	

Apron Sink Base Extended 27" Deep



APSB3027 BUTT
APSB3327 BUTT
APSB3627 BUTT
APSB3927 BUTT
APSB4227 BUTT
APSB4527 BUTT
APSB4827 BUTT

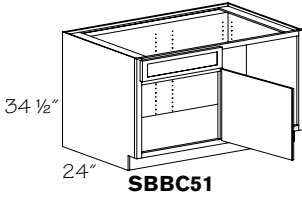
- No shelf
- 3" top stiles
- Maximum cutout height is 11 3/4"
- Additional support rails are required—refer to sink manufacturer
- Includes a Touch-Up Kit (TUK)
- Roll-out Trays (ROT) are **not** available
- All Plywood Furniture Construction (APFC) will be supplied when All Plywood Construction (APC) is selected; cabinets have standard furniture plywood ends
- **Note:** Be sure to follow manufacturer's specifications to ensure proper sink fit

PE	IF
● APC	TWR
☆ APFC	● WR
◇ FPFB	● XS
● MI	XSG
DE	● GD
OE	RTK
AD_E	RTKP
● CW	● VTK
● RD	TKD
CH	

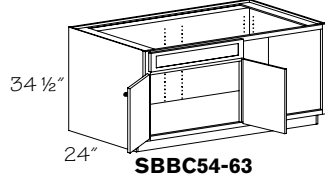


We recommend using a Filler Extension (FE) on 27" deep cabinets if adjacent cabinetry will **not** be pulled flush to the Sink Base Cabinetry

Sink Base Blind Corner



SBBC51



SBBC54-63

- SBBC51 R or L**
- SBBC54 R or L**
- SBBC57 R or L**
- SBBC60 R or L**
- SBBC63 R or L**

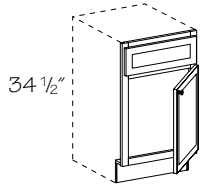
- Specify R or L; R or L indicates blind
- Blind panel (stile) is 8" wide
- Blind opening is covered with an unfinished panel
- Right blind shown
- Door is hinged from blind panel
- Filler included
- Overlay Panel for Base Blind Corner (OPWBC) *must* be ordered separately
- False drawer front
- Factory installed Roll-out Trays (ROT) are *not* available

● PE	IF
● APC	TWR
● APFC	● WR
● FPFB	● XS
● MI	XSG
● DE	● GD
● OE	● RTK
● AD_E	● RTKP
● CW	● VTK
● RD	TKD
● CH	

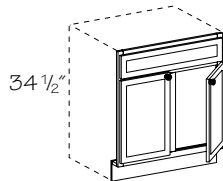
Cabinet	Sink Width (if centered with doors)	Wall Space "A"		Exposed Front "B"		Door Open "C"	Cab. Width	Wall Space "A"		Exposed Front "B"		Door Open "C"	Cab. Width
		Min *	Max.	Min *	Max			Min *	Max	Min *	Max		
SBBC51	16 7/8"	49 1/2"	52 3/4"	25 1/2"	28 3/4"	21"	48"	50 1/4"	53 3/4"	26 1/4"	29 3/4"	21"	48"
SBBC54*	19 7/8"	52 1/2"	55 3/4"	28 1/2"	31 3/4"	24"	51"	53 1/4"	56 3/4"	29 1/4"	32 3/4"	24"	51"
SBBC57*	22 7/8"	55 1/2"	58 3/4"	31 1/2"	34 3/4"	27"	54"	56 1/4"	59 3/4"	32 1/4"	35 3/4"	27"	54"
SBBC60*	25 7/8"	58 1/2"	61 3/4"	34 1/2"	37 3/4"	30"	57"	59 1/4"	62 3/4"	35 1/4"	38 3/4"	30"	57"
SBBC63*	28 7/8"	61 1/2"	64 3/4"	37 1/2"	40 3/4"	33"	60"	62 1/4"	65 3/4"	38 1/4"	41 3/4"	33"	60"

* Dimensions "A" and "B" minimum requirements include optional decorative hardware clearance. You may deduct 1 1/4" if hardware is not used.
 * Cabinets will have BUTT doors

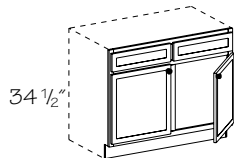
Sink Front



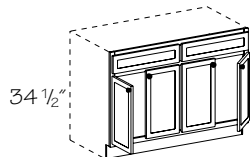
SF18-24



SF24BUTT-39



SF42-48



SF48BUTT

One Drawer Front

- SF18 R or L**
- SF21 R or L**
- SF24 R or L**

- **SF24 BUTT**
- SF27 (Butt)**
- SF30**
- SF30 BUTT**
- SF33**
- SF33 BUTT**
- SF36**
- SF36 BUTT**
- SF39**

Two Drawer Fronts

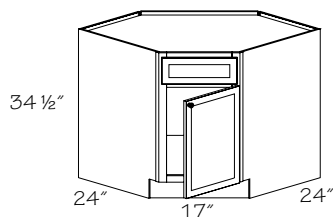
- SF42**
- SF45**
- SF48**
- ▲○ **SF48 BUTT**

- Specify R or L for single door hinging
- Includes floor; shipped loose
- Optional Utensil Trays (UT and SUT) are available
- Unit is *not* trimmable
- Includes a Touch-Up Kit (TUK)
- Use Full-Height Kitchen (FHK) option to achieve a full-height door look

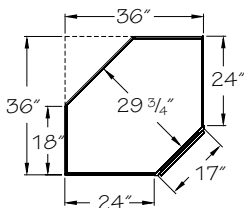
PE	IF
● APC	● TWR
APFC	● WR
FPFB	● XS
MI	XSG
DE	● GD
OE	RTK
AD_E	RTKP
☆ CW	VTK
RD	TKD
● CH	

- Change Width (CW) option *not* available
- ▲ Two pair of butt doors

Sink Base Angle



SBA36 R or L



Right shown

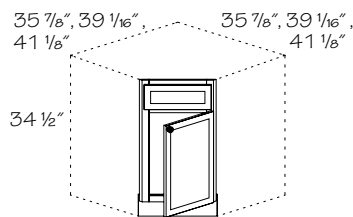
● PE	● IF
● APC	● TWR
● APFC	● WR
● FPEB	● XS
● MI	● XSG
● DE	● GD
● OE	● RTK
● AD_E	● RTKP
● CW	● VTK
● RD	● TKD
● CH	

- Specify R or L for single door hinging
- No shelf
- False drawer front
- Optional Utensil Trays (UT and SUT) are available
- Includes a Touch-Up Kit (TUK)
- Back Options (BEB and VGRB) **not** available
- Contrasting Back Options (CBEB, CPLB, CVGR) **not** available
- Use Full-Height Kitchen (FHK) option to achieve a full-height door look
- **Note:** Full overlay door styles use a 1/2" overlay hinge
- **Note:** Will **not** accommodate double bowl sink



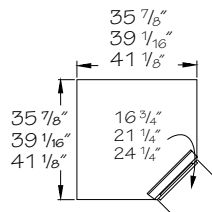
When using a corner sink in your design, it is recommended to install at least a 15" cabinet between the corner sink and dishwasher. This will allow a comfortable space to load and unload the unit.

Sink Front Angle



- SFA36 R or L
- ▲ SFA39 R or L
- ▲ SFA42 R or L
- ※ SFA42 BUTT

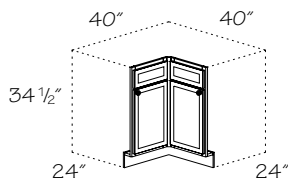
- Change Width (CW) option **not** available
- ▲ Available in full overlay door styles only
- ※ **Not** available in full overlay door styles



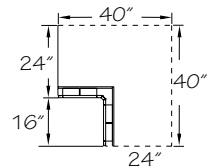
- Specify R or L for single door hinging
- Includes 48" x 48" x 1/2" floor; floor shipped separately
- Optional Utensil Trays (UT and SUT) are available
- Toe kick shipped unattached
- Includes a Touch-Up Kit (TUK)
- Use Full-Height Kitchen (FHK) option to achieve a full-height door look
- **Note:** Full overlay door styles use a 1/2" overlay hinge

PE	IF
● APC	● TWR
● APFC	● WR
● FPEB	● XS
● MI	● XSG
● DE	● GD
● OE	● RTK
● AD_E	● RTKP
☆ CW	● VTK
● RD	● TKD
● CH	

Sink Front Corner 90°



SFC40



- Optional Utensil Tray Kit (UTK) is available
- Includes a Touch-Up Kit (TUK)
- Use Full-Height Kitchen (FHK) option to achieve a full-height door look
- **Note:** Includes two 16" Cabinet Front Only (CFO), 1-1 1/4" solid spacer and 48" x 48" x 1/2" floor. Floor Shipped separately

PE	IF
● APC	● TWR
● APFC	● WR
● FPEB	● XS
● MI	● XSG
● DE	● GD
● OE	● RTK
● AD_E	● RTKP
● CW	● VTK
● RD	● TKD
● CH	

Base Appliance Cabinets

Construction Options and Modifications

- PE Plywood Ends
- APC All Plywood Construction
- APFC All Plywood Furniture Construction
- FPEB Furniture Plywood Ends
- MI Matching Interior
- DE Integrated Decorative End
- OE Operational End
- AD_E Attached Decorative End
- CW Change Width
- RD Reduced Depth
- CH Change Height
- IF Inverted Frame
- TWR Top Wide Rail
- WR Wide Bottom Rail
- XS Extended Stile
- GD Glass Doors
- RTK Recessed Toe Kick
- RTKP Recessed Toe Kick Peninsula
- VTK Void Toe Kick

BMC	30	24	46
code	width	depth	height

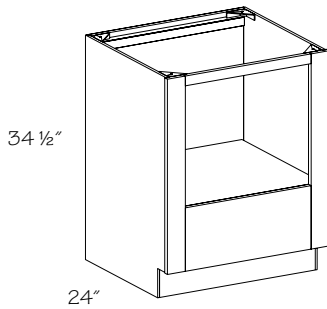
- ❖ Included as standard
- Available with an upcharge
- ☆ Available with exceptions
- (Blank) **Not** available

When BUTT is in all capitals, it **must** be included as part of your ordering nomenclature. A (Butt) in parentheses is for your information and isn't required on an order form.

Material dimensions listed may vary slightly from actual dimensions of the product.

Specifications subject to change without notice.

Base Oven Cabinet Universal



- BOCU24
- BOCU27
- BOCU30
- BOCU33
- ※ BOCU36
- ※ BOCU39
- ※ BOCU42
- Change Width (CW) option **not** available
- ※ 4 1/2" stiles

- Adjustable plywood floor
- 3" stiles
- For undercounter mounting of single ovens
- Contrasting Back Options (CBEB, CPLB, CVGR) **not** available
- Change Height (CH) and Change Width (CW) changes will occur in the cabinet opening - stiles and rails will **not** change

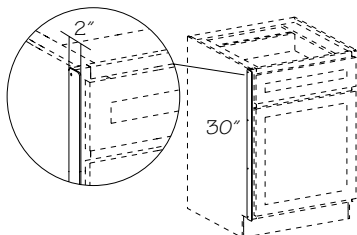
● PE	● CH
● APC	● IF
● APFC	● TWR
● FPEB	● WR
● MI	● XS
● DE	● GD
● OE	● RTK
● AD_E	● RTKP
☆ CW	● VTK
● RD	

Cabinet Width	Min. Width	Max. Width	Min. Height	Max.* Height
24"	18"	22"	18 3/4"	28 3/4"
27"	21"	25"	18 3/4"	28 3/4"
30"	24"	28"	18 3/4"	28 3/4"
33"	27"	31"	18 3/4"	28 3/4"
36"	27"	34"	18 3/4"	28 3/4"
39"	30"	37"	18 3/4"	28 3/4"
42"	33"	40"	18 3/4"	28 3/4"

*Includes removal of top rail

Heat Shield

HSD

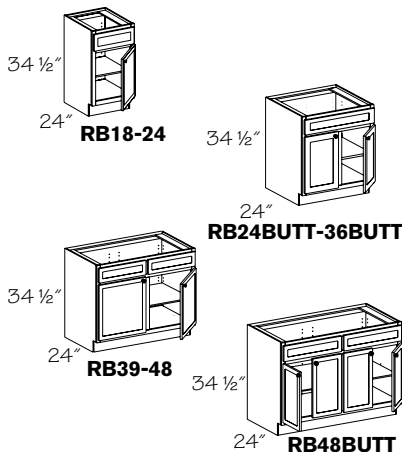


- 1/16" thick
- Two clear acrylic heat shields with installation screws
- Recommended to shield Thermofoil and Foil door styles from adjacent oven heat
- Required for warranty on Foil door styles

PE	CH
APC	IF
APFC	TWR
FPEB	WR
MI	XS
DE	GD
OE	RTK
AD_E	RTKP
CW	VTK
RD	



Remember, when ordering Foil doors, to order a Heat Shield(s) (HSD) to apply to the base cabinet(s) adjacent to the oven.



Range Base

One Drawer Front

- **RB18 R or L**
- **RB21 R or L**
- **RB24 R or L**
- **RB24 BUTT**
- **RB27 (Butt)**
- **RB30**
- **RB30 BUTT**
- **RB33**
- **RB33 BUTT**
- **RB36**
- **RB36 BUTT**

Two Drawer Fronts

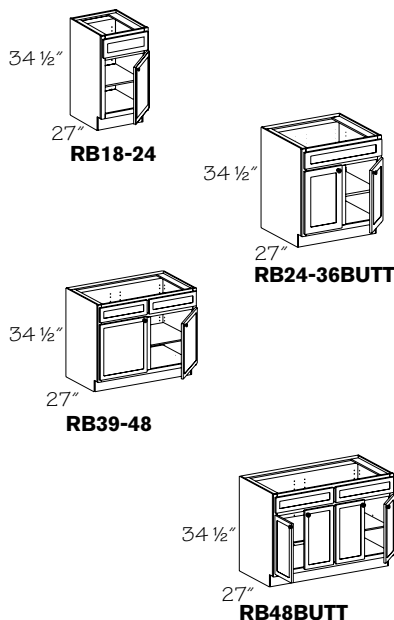
- ◆ **RB39**
- ◆ **RB42**
- ◆† **RB45**
- ◆† **RB48**
- ◆○+■ **RB48 BUTT**

- Specify R or L for single door hinging
- One adjustable shelf
- False drawer front(s)
- ☆ Operational End (OE) is *not* available with Reduced Depth (RD) option

● PE	● CH
● APC	● IF
● APFC	● TWR
● FPEB	● WR
● MI	● XS
● DE	☆ GD
☆ OE	● RTK
● AD_E	● RTKP
☆ CW	● VTK
● RD	

- Change Width (CW) option *not* available
- ◆ Deluxe Dovetailed full-width Trays (DXFWT) *not* available
- † Toe Kick Drawer (TKD) option *not* available
- Glass inserts *not* available on ends

Range Base 27" Deep



One Drawer Front

- **RB1827 R or L**
- **RB2127 R or L**
- **RB2427 R or L**
- **RB2427 BUTT**
- **RB2727 (Butt)**
- **RB3027**
- **RB3027 BUTT**
- **RB3327**
- **RB3327 BUTT**
- **RB3627**
- **RB3627 BUTT**

Two Drawer Fronts

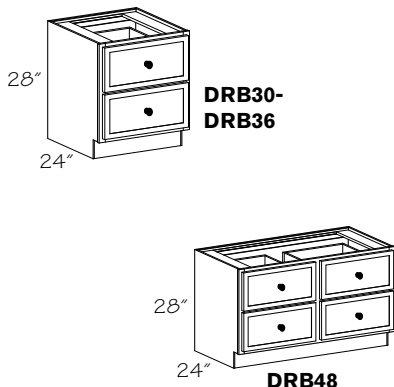
- **RB3927**
- **RB4227**
- **RB4527**
- **RB4827**
- **RB4827 BUTT**

- Specify R or L for single door hinging
- One adjustable shelf
- False drawer front(s)
- Roll-out Trays (ROT) are *not* available

● PE	● CH
● APC	● IF
● APFC	● TWR
● FPEB	● WR
● MI	● XS
● DE	☆ GD
● OE	● RTK
● AD_E	● RTKP
☆ CW	● VTK
● RD	

- Change Width (CW) option *not* available
- Glass inserts *not* available on ends

Deep Range Base



- **DRB302428**
- **DRB362428**
- **DRB482428**

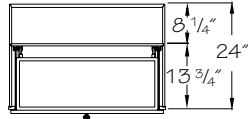
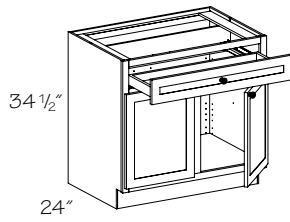
- Change Width (CW) option *not* available

- Accommodates cook tops, with or without front mounted controls
- 7" deep drawers
- Supplied with a 3" high filler to accommodate different range heights
- ☆ Minimum Reduced Depth (RD) is 21"

• **Note:** Be sure to follow manufacturer's specifications to ensure proper cooktop fit

● PE	● CH
● APC	● IF
● APFC	● TWR
● FPEB	● WR
● MI	● XS
● DE	● GD
● OE	● RTK
● AD_E	● RTKP
☆ CW	● VTK
☆ RD	

Down Draft Base



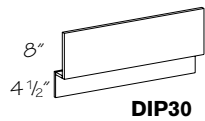
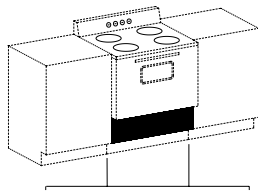
- | | |
|--|--|
| <p><i>One Drawer Front</i></p> <ul style="list-style-type: none"> DDB30 DDB30 BUTT DDB33 DDB33 BUTT DDB36 DDB36 BUTT DDB39 | <p><i>Two Drawer Fronts</i></p> <ul style="list-style-type: none"> DDB42 † DDB45 † DDB48 ▲† DDB48 BUTT |
|--|--|

- † Toe Kick Drawer (TKD) option **not** available
- ▲ Two pair of butt doors

- Factory installed Roll-out Trays (ROT) are **not** available
- Top drawer will have scooped drawer option (STDW), 2 1/4" high, 11 13/16" deep drawer box
- **Not** available with any installed drawer box accessories
- **Not** available with Full-Height Door (FHK) option
- **Note:** Designed to be used with rear vent systems. **Not** designed for center vent systems

● PE	● CH
● APC	● IF
● APFC	● TWR
● FPEB	● WR
● MI	● XS
DE	● GD
OE	● RTK
● AD_E	● RTKP
CW	● VTK
RD	

Drop-in Range Panel

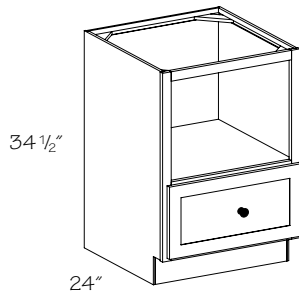


DIP30

- Matching front panel may be trimmed to fit drop-in range
- Toe kick included

PE	CH
APC	IF
APFC	TWR
FPEB	WR
MI	XS
DE	GD
OE	RTK
AD_E	RTKP
CW	VTK
RD	

Base Microwave Cabinet 34 1/2" H w/Deep Bottom Drawer



- Opening: Width: 21"; Height: 16"
- **BMC242434**
- Opening: Width: 24"; Height: 16"
- **BMC272434**
- Opening: Width: 27"; Height: 16"
- **BMC302434**
- Change Width (CW) option **not** available

- Deep bottom drawer
- Designed for countertop style microwaves
- Change Height (CH) modified in open section of cabinet

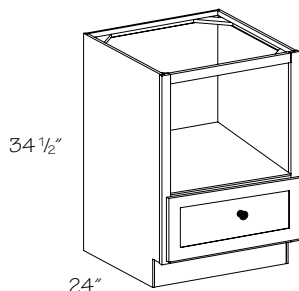


When ordering an unfinished cabinet that has standard Matching

Interior (MIV), you **must** use MIP, MIFP or FPEB to get a wood veneer matching interior. If the cabinet is Wood Veneer standard, ordered as All Plywood (APC) or with Furniture Plywood Ends (FPEB, APFC), wood veneer matching interior will be standard.

● PE	● CH
● APC	● IF
● APFC	● TWR
● FPEB	● WR
◇ MI	● XS
DE	● GD
OE	● RTK
● AD_E	● RTKP
☆ CW	● VTK
● RD	

Base Microwave Cabinet 34 1/2" H w/Bottom Drawer-Extended Opening



- Opening: Width: 24"; Height: 19"
- **BMCE272434**
- Opening: Width: 27"; Height: 19"
- **BMCE302434**

- 4" high drawer box
- Designed for countertop style microwaves

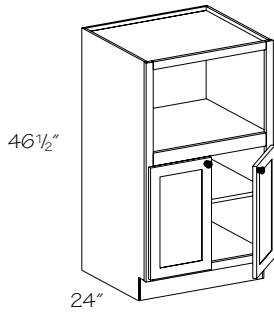


When ordering an unfinished cabinet that has standard Matching

Interior (MIV), you **must** use MIP, MIFP or FPEB to get a wood veneer matching interior. If the cabinet is Wood Veneer standard, ordered as All Plywood (APC) or with Furniture Plywood Ends (FPEB, APFC), wood veneer matching interior will be standard.

● PE	● CH
● APC	● IF
● APFC	● TWR
● FPEB	● WR
◇ MI	● XS
DE	● GD
OE	● RTK
● AD_E	● RTKP
● CW	● VTK
● RD	

Base Microwave Cabinet 46 1/2" H

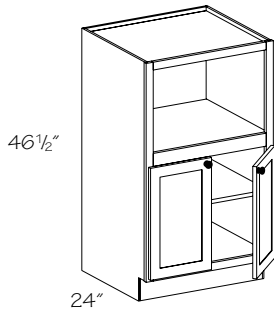


- Opening: Width 21"; Height 16"
- **BMC242446**
- Opening: Width 24"; Height 16"
- BMC272446**
- Opening: Width 27"; Height 16"
- BMC302446**
- Change Width (CW) option *not* available

- One adjustable shelf
- Standard cabinet ceiling construction, finished top required
- Designed for countertop style microwaves
- Use Microwave Kit – Compact (CMCK) to reduce opening height to 13"

● PE	CH
● APC	IF
● APFC	TWR
● FPEB	● WR
❖ MI	● XS
DE	● GD
OE	● RTK
AD_E	● RTKP
☆ CW	● VTK
● RD	

Base Microwave Cabinet 46 1/2" H–Extended Opening

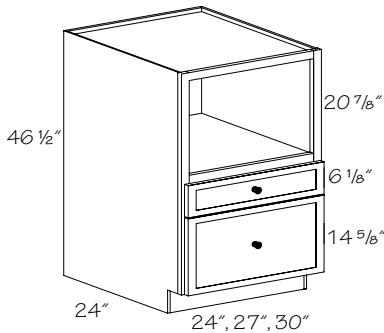


- Opening: Width 21"; Height 19"
- **BMCE242446**
- Opening: Width 24"; Height 19"
- BMCE272446**
- Opening: Width 27"; Height 19"
- BMCE302446**
- Change Width (CW) option *not* available

- One adjustable shelf
- Standard cabinet ceiling construction, finished top required
- Designed for countertop style microwaves
- Use Microwave Kit – Compact (CMCK) to reduce opening height to 13"

● PE	CH
● APC	IF
● APFC	TWR
● FPEB	● WR
❖ MI	● XS
DE	● GD
OE	● RTK
AD_E	● RTKP
☆ CW	● VTK
● RD	

Base Microwave Cabinet 46 1/2" H w/Drawers–Extended Opening

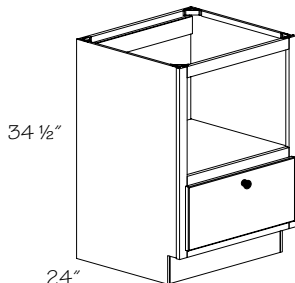


- Opening: Width 21"; Height 19"
- **BMUDE242446**
- Opening: Width 24"; Height 19"
- BMUDE272446**
- Opening: Width 27"; Height 19"
- BMUDE302446**
- Change Width (CW) option *not* available

- One 14 5/8" H and one 6 1/8" H full overlay drawer front
- Standard cabinet ceiling construction, finished top required
- Designed for countertop style microwaves
- Use Microwave Kit – Compact (CMCK) to reduce opening height to 13"

● PE	CH
● APC	IF
☆ APFC	TWR
● FPEB	● WR
❖ MI	● XS
DE	● GD
OE	● RTK
AD_E	● RTKP
☆ CW	● VTK
● RD	

Base Microwave Drawer



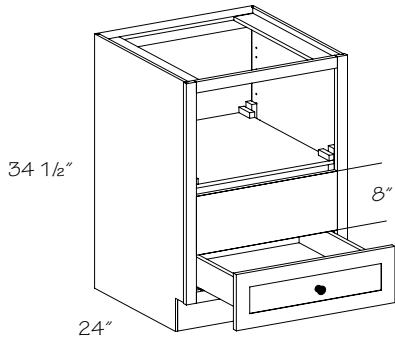
- | | Cutout |
|------------------------|--------------------------|
| ○ BMDC242434 .1 | 14 13/16" H X 22 1/8" W |
| BMDC272434 .1 | 14 13/16" H X 22 1/8" W |
| BMDC302434 .1 | 14 13/16" H X 28 7/16" W |
| BMDC332434 .1 | 14 13/16" H X 28 7/16" W |
| ○ BMDC242434 .2 | 15 3/16" H X 22 1/4" W |
| BMDC272434 .2 | 15 3/16" H X 22 1/4" W |
| BMDC302434 .2 | 15 3/16" H X 28 1/2" W |
| BMDC332434 .2 | 15 3/16" H X 28 1/2" W |
| ○ BMDC242434 .3 | 15 9/16" H X 22 1/8" W |
| BMDC272434 .3 | 15 9/16" H X 22 1/8" W |

- Change Width (CW) option *not* available

- Deep drawer designed for microwave drawer appliances (Check manufacturers specifications for opening requirements)
- 24" and 30" wide cabinets have 1 1/2" frame stiles
- 27" and 33" wide cabinets have 3" frame stiles
- Frame reveals will vary after appliances are installed based on cabinet width

● PE	CH
● APC	IF
● APFC	TWR
● FPEB	● WR
❖ MI	● XS
DE	● GD
OE	● RTK
AD_E	● RTKP
☆ CW	● VTK
● RD	

Base Built-in Microwave Cabinet



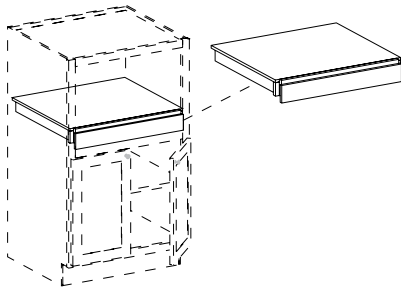
- **BBMC242434**
- **BBMC272434**
- **BBMC302434**
- **BBMC332434**
- Change Width (CW) option **not** available

Cabinet Width	Min. Width	Max. Width	Min. Height	Max. Height
24"	21"	22"	14"	18"
27"	24"	25"	14"	18"
30"	27"	28"	14"	18"
33"	30"	31"	14"	18"

- Adjustable floor
- Plywood floor
- Drawer height is 4"
- Accepts manufacturer's trim kit

● PE	● CH
● APC	● IF
● APFC	● TWR
● FPFB	● WR
◇ MI	● XS
DE	● GD
OE	● RTK
● AD_E	● RTKP
☆ CW	● VTK
● RD	

Microwave Kit-Compact

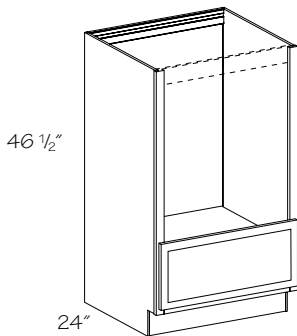


CMCK24
CMCK27

- Includes 3/4" matching printed wood grain laminate shelf with Pine mounting supports
- Kit designed to reduce opening height of Base Microwave Cabinet to 13"
- Slab drawer front in all door styles; DRPD **not** available
- Painted hardwood supplied for EverCore®

PE	CH
● APC	IF
APFC	TWR
FPFB	WR
◇ MI	XS
DE	GD
OE	RTK
AD_E	RTKP
CW	VTK
● RD	

Base Dishwasher Cabinet



BDW272446

- Allows for 11" raised installation of standard dishwashers
- False drawer front
- Finished top required
- Plywood floor
- Top rail is removable (used for shipping purposes only)
- ☆ Only available with Recessed Toe Kick Peninsula Back (RTKP); **cannot** accommodate Recessed Toe Kick for sides (RTKPB, RTKPL, RTKPR)

● PE	CH
● APC	IF
● APFC	TWR
● FPFB	● WR
MI	● XS
DE	GD
OE	RTK
AD_E	☆ RTKP
CW	● VTK
RD	

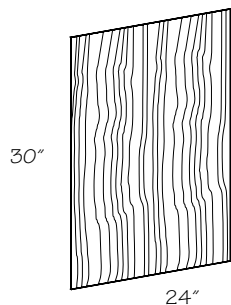


Consider ordering 46 1/2" high Base Microwave (BMC) and Dishwasher (BDW) Cabinets with Furniture Plywood Ends (FPFB) to bring the sides flush with the face frame. This will prevent having to notch the countertop of an adjacent cabinet to fit behind the face frame.



Consider using a three-drawer stack adjacent to this cabinet. The bottom false front will align with the bottom drawer base cabinets.

Dishwasher Panel

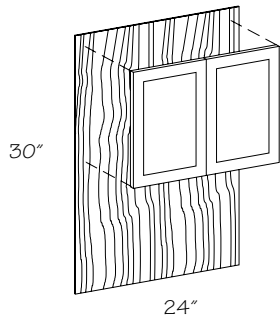


DWP

- 3/16" thick, plain panel
- Quartersawn door styles are quartersawn wood veneer
- Painted hardwood supplied for EverCore®
- Painted or Stained hardwood supplied for Wood-Grain Foil door styles
- Matching wood veneer or laminate
- **Must** be trimmed to fit

PE	CH
APC	IF
APFC	TWR
FPFB	WR
MI	XS
DE	GD
OE	RTK
AD_E	RTKP
CW	VTK
RD	

Dishwasher Raised Panel



DWP .RP

- Full overlay door styles receive one door. All other overlays receive two doors (style and color to match kitchen)
- Mounted to matching 3/16" wood veneer or laminate panel
- Bristow Crafted door styles are mounted to a plain sawn wood veneer panel
- Quartersawn Oak door styles are mounted to matching 3/16" quartersawn wood veneer panel
- Universally sized, **must** be trimmed to fit

PE	CH
APC	IF
APFC	TWR
FPEB	WR
MI	XS
DE	GD
OE	RTK
AD_E	RTKP
CW	VTK
RD	

Base Corner Cabinets

Construction Options and Modifications

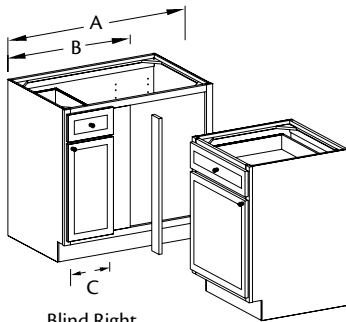
- ❖ Included as standard
- Available with an upcharge
- ☆ Available with exceptions
- (Blank) **Not** available

- PE Plywood Ends
- APC All Plywood Construction
- APFC All Plywood Furniture Construction
- FPEB Furniture Plywood Ends
- MI Matching Interior
- DE Integrated Decorative End
- AD_E Attached Decorative End
- CW Change Width
- RD Reduced Depth
- CH Change Height
- TWR Top Wide Rail
- WR Wide Bottom Rail
- XS Extended Stile
- GD Glass Doors
- RTK Recessed Toe Kick
- RTKP Recessed Toe Kick Peninsula
- VTK Void Toe Kick

PBBC	36
code	width

Material dimensions listed may vary slightly from actual dimensions of the product.

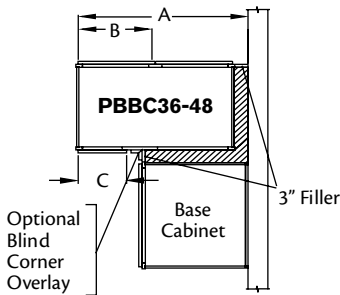
Specifications subject to change without notice.



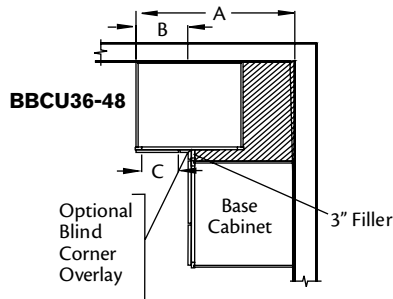
Blind Right Shown

Base Blind Corner Cabinet Information

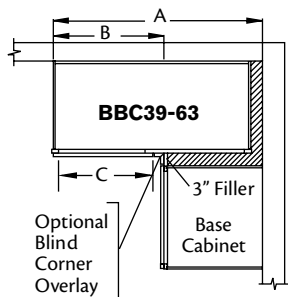
- Specify R or L; R or L indicates blind
- All Base Blind Corner (BBC) cabinets **must** be pulled. Consult chart or pull dimensions and minimum wall space requirements
- Door hinged on same side as blind on single door cabinets
- A 3" Base Filler (BF) is included with each Base Blind Corner (BBC) cabinet ordered, shipped separately. Base cabinet adjacent to BBC may be ordered with an extended stile in lieu of installing supplied filler
- Base Blind Corner Universal (BBCU) cabinets are shipped blind right standard, and may be reversed in field
- Two 3" Base Fillers (BF) are included with each Peninsula Base Blind Corner (PBBC) ordered except the PBBC 27
- Optional Panel for Base Blind Corner Overlay (OPWBC) is recommended for full overlay door styles; see Base Accessories section
- **Note:** For Sink Base Blind Corner (SBBC) cabinet, see Base Cabinets section



Peninsula Base Blind Corner Cabinet



Base Blind Cabinet Universal



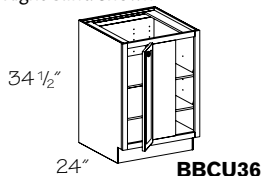
Base Blind Cabinet/
Sink Base Blind Cabinet

	½" Overlay				Door Open "C"	Cab. Width	Full Overlay					
	Wall Space "A"		Exposed Front "B"				Wall Space "A"		Exposed Front "B"			
	Min *	Max.	Min *	Max			Min *	Max	Min *	Max	Door Open "C"	Cab. Width
BBCU 36	36"	40"	12"	16"	6"	24"	36"	40"	12"	16"	6"	24"
PBBC 36	34 ½"	37 ¾"	10 ½"	13 ¾"	6"	33"	35 ¼"	38 ¾"	11 ¼"	14 ¾"	6"	33"
BBC 39	37 ½"	40 ¾"	13 ½"	16 ¾"	9"	36"	38 ¼"	41 ¾"	14 ¼"	17 ¾"	9"	36"
BBCU 39	37 ½"	40 ¾"	13 ¾"	16 ¾"	9"	27"	38 ¼"	39 ¾"	13"	15 ¾"	9"	27"
P/BBC 42	40 ½"	43 ¾"	16 ½"	19 ¾"	12"	39"	41 ¼"	44 ¾"	17 ¼"	20 ¾"	12"	39"
BBCU 42	40 ½"	43 ¾"	16 ¾"	19 ¾"	12"	33"	41 ¼"	42 ¾"	16"	18 ¾"	12"	33"
BBC 45	43 ½"	46 ¾"	19 ½"	22 ¾"	15"	42"	44 ¼"	47 ¾"	20 ¼"	23 ¾"	15"	42"
BBCU 45	43 ½"	46 ¾"	19 ¾"	22 ¾"	15"	39"	44 ¼"	45 ¾"	19"	21 ¾"	15"	39"
P/BBC 48	46 ½"	49 ¾"	22 ½"	25 ¾"	18"	45"	47 ¼"	50 ¾"	23 ¼"	26 ¾"	18"	45"
BBCU 48	46 ½"	49 ¾"	22 ¾"	25 ¾"	18"	45"	47 ¼"	48 ¾"	22"	24 ¾"	18"	45"
BBC 51	49 ½"	52 ¾"	25 ½"	28 ¾"	21"	48"	50 ¼"	53 ¾"	26 ¼"	29 ¾"	21"	48"
BBC 54*	52 ½"	55 ¾"	28 ½"	31 ¾"	24"	51"	53 ¼"	56 ¾"	29 ¼"	32 ¾"	24"	51"
BBC 57*	55 ½"	58 ¾"	31 ½"	34 ¾"	27"	54"	56 ¼"	59 ¾"	32 ¼"	35 ¾"	27"	54"
BBC 60*	58 ½"	61 ¾"	34 ½"	37 ¾"	30"	57"	59 ¼"	62 ¾"	35 ¼"	38 ¾"	30"	57"
BBC 63*	61 ½"	64 ¾"	37 ½"	40 ¾"	33"	60"	62 ¼"	65 ¾"	38 ¼"	41 ¾"	33"	60"

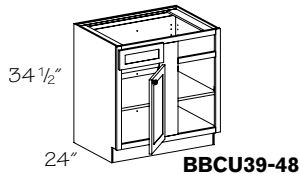
* Dimensions "A" and "B" minimum requirements include optional decorative hardware clearance. You may deduct 1 1/4" if hardware is not used.
* Cabinets will have BUTT doors

Base Blind Corner Universal

Right Blind Shown



24" **BBCU36**



24" **BBCU39-48**

▲+ **BBCU36**

- **BBCU39**
- **BBCU42**
- **BBCU45**
- **BBCU48**

▲ Full-height door; 9" wide blind panel stile; two adjustable, full-depth shelves

+ Vega doors will have a solid, recessed flat panel

■ 6" wide blind panel stile; one adjustable shelf

- Base Blind Corner Universal (BBCU) cabinets are shipped blind right standard, and may be reversed in field
- Right blind shown
- False drawer front
- Door is hinged from blind panel
- Filler included
- Overlay Panel for Base Blind Corner (OPWBC) **must** be ordered separately
- Factory installed Roll-out Trays (ROT) are **not** available

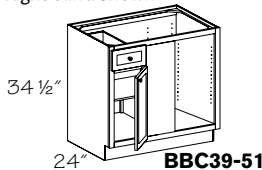


Consider using the Full Height Door (FHK) option on Base Blind Corner Cabinets to increase storage height of the top shelf

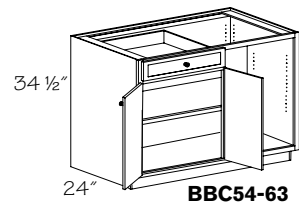
- PE
- APC
- APFC
- FPEB
- MI
- DE
- AD_E
- CW
- RD
- CH
- TWR
- WR
- XS
- GD
- RTK
- RTKP
- VTK

Base Blind Corner

Right Blind Shown



24" **BBC39-51**



24" **BBC54-63**

- BBC39 R or L**
- BBC42 R or L**
- BBC45 R or L**
- BBC48 R or L**
- BBC51 R or L**
- BBC54 R or L**
- BBC57 R or L**
- BBC60 R or L**
- BBC63 R or L**

- Specify R or L; R or L indicates blind
- Blind panel (stile) is 8" wide
- Blind opening is covered with an unfinished panel
- Door is hinged from blind panel
- Filler included
- Overlay Panel for Base Blind Corner (OPWBC) **must** be ordered separately
- One adjustable shelf
- Factory installed Roll-out Trays (ROT) are **not** available

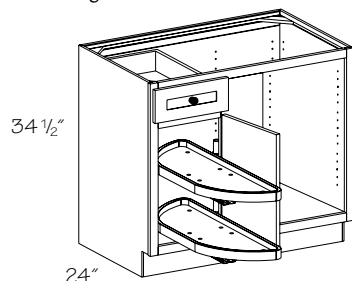


Consider using the Full Height Door (FHK) option on Base Blind Corner Cabinets to increase storage height of the top shelf

- PE
- APC
- APFC
- FPEB
- MI
- DE
- AD_E
- CW
- RD
- CH
- TWR
- WR
- XS
- GD
- RTK
- RTKP
- VTK

Base Blind Corner w/Wood Lazy Susan

Right Blind Shown



24"

- BBC42 R or L.WLS**
- BBC45 R or L.WLS**
- BBC48 R or L.WLS**

- Specify R or L; R or L indicates blind
- Blind panel (stile) is 8" wide
- Blind opening is covered with an unfinished panel
- Door is hinged from blind panel
- Filler included
- Overlay Panel for Base Blind Corner (OPWBC) **must** be ordered separately
- Two half-circle shelves, rotate and slide out individually
- Rotating shelves have plywood floor and solid wood trim
- All Wood Lazy Susan also available as field installed kit; see Base Accessories section

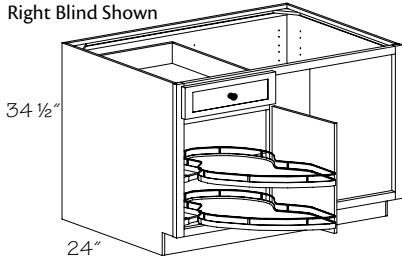


Consider using the Full Height Door (FHK) option on Base Blind Corner Cabinets to increase storage height of the top shelf

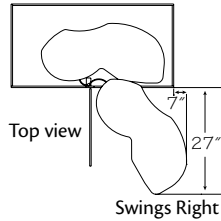
- PE
- APC
- APFC
- FPEB
- MI
- DE
- AD_E
- CW
- RD
- CH
- TWR
- WR
- XS
- GD
- RTK
- RTKP
- VTK

Base Blind Corner w/Chrome Swing-out

Right Blind Shown



BBC48 R or L.CSW



- Specify R or L; R or L indicates blind
- Blind panel (stile) is 8" wide
- Blind opening is covered with an unfinished panel
- Door is hinged from blind panel
- Filler included
- Overlay Panel for Base Blind Corner (OPWBC) **must** be ordered separately
- One standard drawer
- Two full swing shelves rotate individually
- Shelf height is adjustable
- Shelf is non-stick coated Maple melamine with chrome gallery rails
- **Note:** Swing-out will **not** fully open if a wall, another cabinet, appliance or any other obstruction deeper than 24" is next to swing-out side end panel

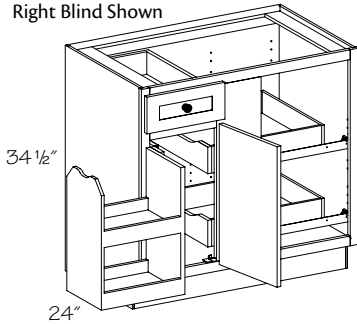
- PE
- APC
- APFC
- FPFB
- MI
- DE
- AD_E
- CW
- RD
- CH
- TWR
- WR
- XS
- GD
- RTK
- RTKP
- VTK



Consider using the Full Height Door (FHK) option on Base Blind Corner Cabinets to increase storage height of the top shelf

Base Blind Corner w/Wood Swing-out

Right Blind Shown



BBC42 R or L.PSO
BBC45 R or L.PSO
BBC48 R or L.PSO

- Specify R or L; R or L indicates blind
- Blind panel (stile) is 8" wide
- Blind opening is covered with an unfinished panel
- Door is hinged from blind panel
- Filler included
- Overlay Panel for Base Blind Corner (OPWBC) **must** be ordered separately
- One standard drawer
- Two Deluxe Roll-out Trays (DXROT)
- Solid wood swing-out caddy
- **Note:** Swing-out will **not** fully open if a wall, another cabinet, appliance or any other obstruction deeper than 24" is next to swing-out side end panel

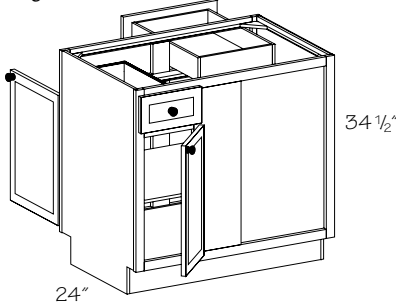
- PE
- APC
- APFC
- FPFB
- MI
- DE
- AD_E
- CW
- RD
- CH
- TWR
- WR
- XS
- GD
- RTK
- RTKP
- VTK



Consider using the Full Height Door (FHK) option on Base Blind Corner Cabinets to increase storage height of the top shelf

Peninsula Base Blind Corner

Right Blind Shown



**** PBBC36 R or L**
PBBC39 R or L
PBBC42 R or L
PBBC45 R or L
PBBC48 R or L

- * Full-height, kitchen side only. Vega doors will have a solid recessed flat panel
- * Glass doors **not** available on kitchen side

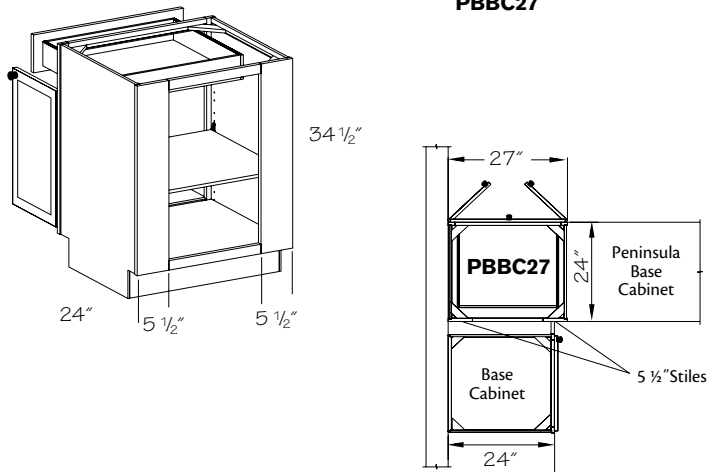
- Specify R or L; R or L indicates blind
- Blind panel (stile) is 8" wide
- Blind opening is covered with an unfinished panel
- Kitchen door is hinged from blind panel
- Overlay Panel for Base Blind Corner (OPWBC) **must** be ordered separately
- Single door and working drawer on kitchen side; double doors single drawer and matching false drawer front on peninsula side
- One adjustable shelf
- Factory installed Roll-out Trays (ROT) are **not** available
- **Note:** Two 3" base fillers included. Blind Corner Overlay **must** be ordered separately; see Base Accessories section

- PE
- APC
- APFC
- FPFB
- MI
- DE
- AD_E
- CW
- RD
- CH
- TWR
- WR
- XS
- ☆ GD
- RTK
- ◆ RTKP
- VTK



Consider using the Full Height Door (FHK), Full Height Peninsula (FHP) or Full Height Both (FHB) option on Peninsula Base Blind Corner Cabinets to increase storage height of the top shelf

Peninsula Base Blind Corner-27" Wide



PBBC27

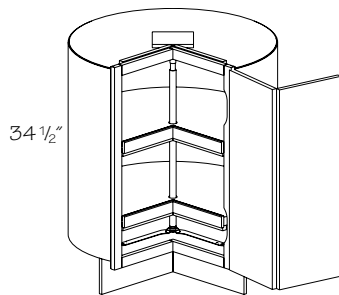
- One adjustable shelf
- Two 5 1/2" stiles on blind side allow cabinet to be used as right or left
- Double doors and single drawer
- Reversible
- For use as a starter cabinet for peninsula
- Designed to fit flush against wall, cabinet may be pulled approximately 2 1/4". Full overlay door styles require a pull of at least 1" from wall to allow decorative hardware clearance
- Filler included
- Overlay Panel for Base Blind Corner (OPWBC) **must** be ordered separately
- Working drawer and doors open to same side

●	PE
●	APC
●	APFC
●	FPEB
●	MI
	DE
●	AD_E
	CW
●	RD
●	CH
	TWR
●	WR
●	XS
●	GD
●	RTK
◆	RTKP
●	VTK

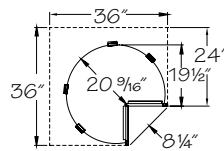


Remember, when using a 27" wide Peninsula Base Blind Corner cabinet (PBBC27), it is highly recommended to use peninsula cabinets on the adjacent run due to depth continuity. If regular base cabinets are used, the run will **not** be flush once the matching panel is applied.

Wood Lazy Susan



LS36 R or LWLS

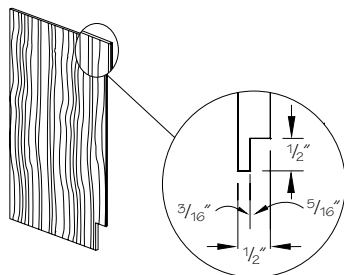


All dimensions are to outside of frame

- Specify R or L for single door hinging
- Rotating shelves have plywood floor and solid wood trim
- Requires 36" of wall space
- Face frame is scooped for hinge installation on full overlay door styles
- Doors are profiled on one long and two short edges and are connected with hinges
- Contrasting Back Options (CBEB, CPLB, CVGR) **not** available
- ☆ Back (barrel) will **not** be plywood when APC is chosen

	PE
☆	APC
	APFC
	FPEB
	MI
	DE
	AD_E
	CW
	RD
	CH
	TWR
●	WR
●	XS
●	GD
	RTK
	RTKP
	VTK

Lazy Susan End Panel



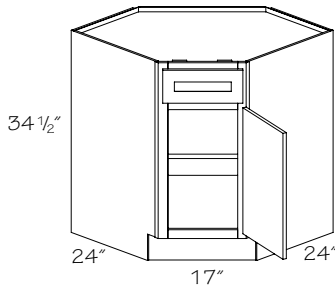
LSEP .R or L

- Specify R or L
- Notched to fit behind stile of Lazy Susan front frame
- Requires 3/16" of wall space
- Crafted or Quartersawn door styles will be supplied in plain sawn wood
- Painted hardwood supplied for EverCore®
- Exterior finished to match, interior is Natural Birch printed wood grain laminate

●	PE
●	APC
	APFC
	FPEB
	MI
	DE
	AD_E
	CW
	RD
	CH
	TWR
	WR
	XS
	GD
	RTK
	RTKP
	VTK

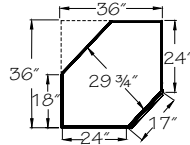
Base Angle

- PE
- APC
- APFC
- FPFB
- MI
- DE
- AD_E
- CW
- RD
- CH
- TWR
- WR
- XS
- GD
- RTK
- RTKP
- VTK



Specify R or L
BA36 R or L

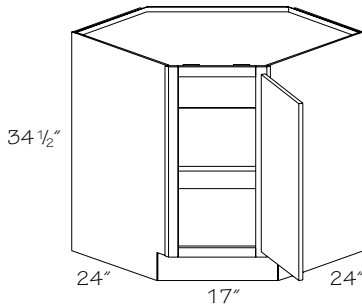
- Specify R or L for single door hinging
- One fixed shelf
- False drawer front
- Angled back provides clearance for installation
- 30 1/2" door clearance recommended for delivery
- Back Options (BEB and VGRB) **not** available
- Contrasting Back Options (CBEB, CPLB, CVGR) **not** available
- **Note:** Full overlay door styles use a 1/2" overlay hinge



All dimensions are to outside of frame

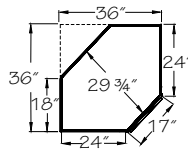
Base Angle Full-Height Door

- PE
- APC
- APFC
- FPFB
- MI
- DE
- AD_E
- CW
- RD
- CH
- TWR
- WR
- XS
- GD
- RTK
- RTKP
- VTK



BA36 R or L.FH

- Specify R or L for single door hinging
- One fixed shelf
- Angled back provides clearance for installation
- 30 1/2" door clearance recommended for delivery
- Back Options (BEB and VGRB) **not** available
- Contrasting Back Options (CBEB, CPLB, CVGR) **not** available
- **Note:** Full overlay door styles use a 1/2" overlay hinge



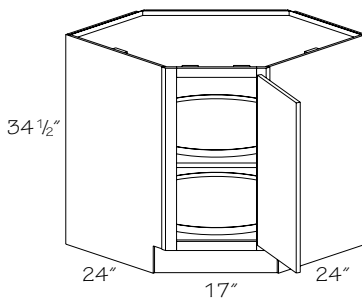
All dimensions are to outside of frame



Full overlay doors on cabinets with an angled front are intentionally narrower to allow proper clearance of adjacent cabinets.

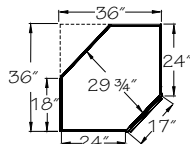
Wood Lazy Susan Angle

- PE
- APC
- APFC
- FPFB
- MI
- DE
- AD_E
- CW
- RD
- CH
- TWR
- WR
- XS
- GD
- RTK
- RTKP
- VTK



LSA36 R or L.WLS

- Specify R or L for single door hinging
- Two 28" diameter rotating shelves
- Rotating shelves have plywood floor and solid wood trim
- Angled back provides clearance for installation
- 30 1/2" door clearance recommended for delivery
- Back Options (BEB and VGRB) **not** available
- Contrasting Back Options (CBEB, CPLB, CVGR) **not** available
- **Note:** Full overlay door styles use a 1/2" overlay hinge

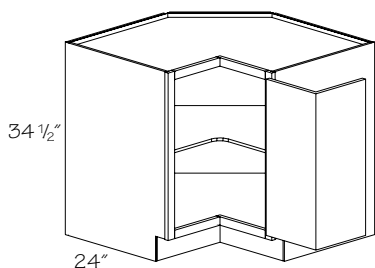


All dimensions are to outside of frame



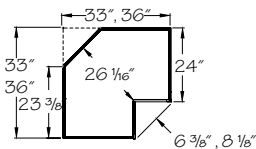
Do **not** design a corner cabinet adjacent to an object deeper than the end panel. The door of the corner cabinet may **not** function properly.

Easy Reach



★◆■ **EZR33 R or L**
EZR36 R or L

- ★ Glass door option **not** available
- ◆ Vega doors will have a solid, recessed flat panel. Caparo doors will have a veneer, recessed flat panel
- Wood-Grain Foil door styles will be supplied as vertical grain slabs



All dimensions are to outside of frame

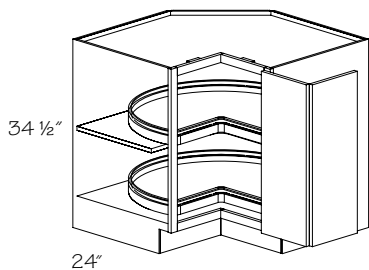
- Specify R or L for single door hinging
- One fixed shelf
- Frame opening, from left to right edge is 10 1/2" for EZR33 and 14 3/4" for EZR36
- Face frame is scooped for hinge installation on full overlay door styles
- Doors are profiled on one long and two short edges and are connected with hinges
- Angled back provides clearance for installation
- 29" door clearance recommended for delivery
- Back Options (BEB and VGRB) **not** available
- Contrasting Back Options (CBEB, CPLB, CVGR) **not** available
- ★ **Not** available with Aluminum Frame Glass doors
- **Note:** Does **not** include Soft-Close feature



Do **not** put an appliance next to an Easy Reach (EZR) cabinet without providing proper clearance for the door to operate. Also, the cabinet door should be hinged opposite the appliance.

- PE
- APC
- APFC
- FPFB
- MI
- DE
- AD_E
- CW
- RD
- CH
- TWR
- WR
- XS
- ☆ GD
- RTK
- RTKP
- VTK

Easy Reach w/Chrome Super Susan



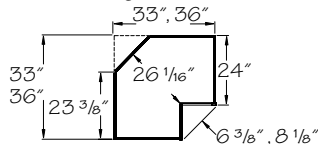
28" diameter pie-cut shelves

★◆■ **EZR33 R or LCSS**

32" diameter pie-cut shelves

EZR36 R or LCSS

- ★ Glass door option **not** available
- ◆ Vega doors will have a solid, recessed flat panel. Caparo doors will have a veneer, recessed flat panel
- Wood-Grain Foil door styles will be supplied as vertical grain slabs

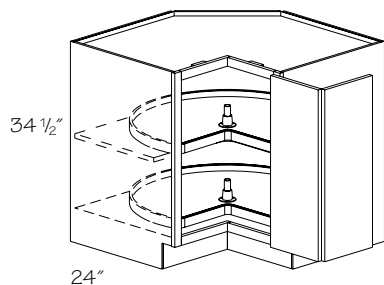


All dimensions are to outside of frame

- Specify R or L for single door hinging
- Two pie-cut shelves rotate individually
- Rotating shelf has chrome rail
- Frame opening from left to right edge: 10 1/2" for EZR33 14 3/4" for EZR36
- Face frame is scooped for hinge installation on full overlay door styles
- Doors are profiled on one long and two short edges and are connected with hinges
- Angled back provides clearance for installation
- 29" door clearance recommended for delivery
- ★ **Not** available with Aluminum Frame Glass doors
- **Note:** Does **not** include Soft-Close feature

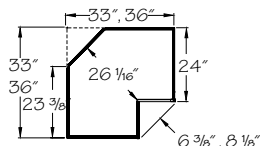
- PE
- APC
- APFC
- FPFB
- MI
- DE
- AD_E
- CW
- RD
- CH
- TWR
- WR
- XS
- ☆ GD
- RTK
- RTKP
- VTK

Easy Reach Wood Super Susan



★◆■ **EZR33 R or LWSS**
EZR36 R or LWSS

- ★ Glass door option **not** available
- ◆ Vega doors will have a solid, recessed flat panel. Caparo doors will have a veneer, recessed flat panel
- Wood-Grain Foil door styles will be supplied as vertical grain slabs

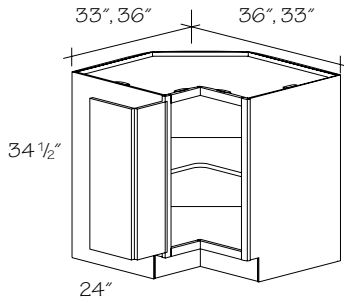


All dimensions are to outside of frame

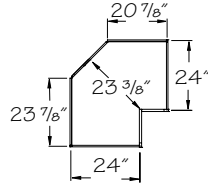
- Specify R or L for single door hinging
- Two pie-cut shelves rotate individually
- EZR33 has 28" diameter shelves; EZR36 has 32" diameter shelves
- Rotating shelves have plywood floor and solid wood trim
- Frame opening, from left to right edge is 10 1/2" for EZR33 and 14 3/4" for EZR36
- Face frame is scooped for hinge installation on full overlay door styles
- Doors are profiled on one long and two short edges and are connected with hinges
- Angled back provides clearance for installation
- 29" door clearance recommended for delivery
- Back Options (BEB and VGRB) **not** available
- Contrasting Back Options (CBEB, CPLB, CVGR) **not** available
- ★ **Not** available with Aluminum Frame Glass doors
- **Note:** Does **not** include Soft-Close feature

- PE
- APC
- APFC
- FPFB
- MI
- DE
- AD_E
- CW
- RD
- CH
- TWR
- WR
- XS
- ☆ GD
- RTK
- RTKP
- VTK

Asymmetrical Easy Reach



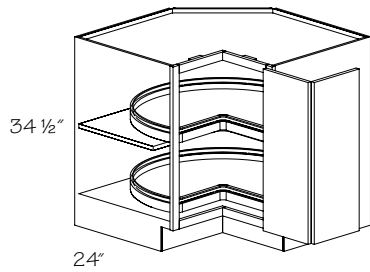
EZR3633 R or L
EZR3336 R or L



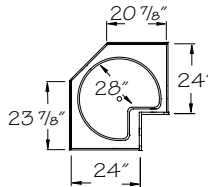
- Specify R or L for single door hinging
- One fixed shelf
- Frame opening from left to right edge is 12 7/8"
- Face frame is scooped for hinge installation on full overlay door styles
- Doors are profiled on one long and two short edges and are connected with hinges
- Angled back provides clearance for installation
- 29" door clearance recommended for delivery
- Vega doors will have a solid, recessed flat panel. Caparo doors will have a veneer, recessed flat panel
- Back Options (BEB and VGRB) **not** available
- Contrasting Back Options (CBEB, CPLB, CVGR) **not** available
- **Note:** Does **not** include Soft-Close feature

- PE
- APC
- APFC
- FPFB
- MI
- DE
- AD_E
- CW
- RD
- CH
- TWR
- WR
- XS
- GD
- RTK
- RTKP
- VTK

Asymmetrical Easy Reach w/Chrome Super Susan



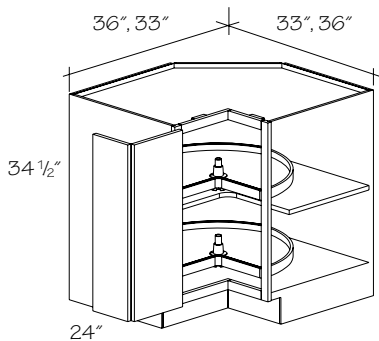
EZR3336 R or L.CSS
EZR3633 R or L.CSS



- Specify R or L for single door hinging
- Two 28" diameter pie-cut shelves rotate individually
- Rotating shelf has chrome rail
- Frame opening, from left to right edge is 17 5/8"
- Face frame is scooped for hinge installation on full overlay door styles
- Doors are profiled on one long and two short edges and are connected with hinges
- Angled back provides clearance for installation
- 29" door clearance recommended for delivery
- **Note:** Does **not** include Soft-Close feature

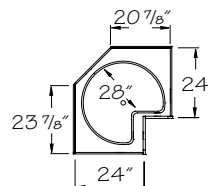
- PE
- APC
- APFC
- FPFB
- MI
- DE
- AD_E
- CW
- RD
- CH
- TWR
- WR
- XS
- GD
- RTK
- RTKP
- VTK

Asymmetrical Easy Reach Wood Super Susan



■ **EZR3633 R or L.WSS**
■ **EZR3336 R or L.WSS**

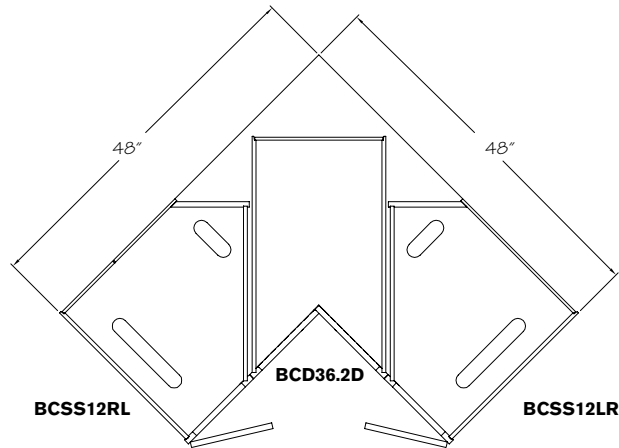
■ Wood-Grain Foil door styles will be supplied as vertical grain slabs



- Specify R or L for single door hinging
- Two pie-cut 28" diameter rotating shelves
- Rotating shelves have plywood floor and solid wood trim
- Frame opening from left to right edge is 12 7/8"
- Face frame is scooped for hinge installation on full overlay door styles
- Doors are profiled on one long and two short edges and are connected with hinges
- Angled back provides clearance for installation
- 29" door clearance recommended for delivery
- Vega doors will have a solid, recessed flat panel. Caparo doors will have a veneer, recessed flat panel
- Back Options (BEB and VGRB) **not** available
- Contrasting Back Options (CBEB, CPLB, CVGR) **not** available
- Order Example as shown: EZR3633 L-WLS
- **Note:** Does **not** include Soft-Close feature

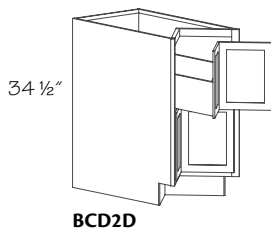
- PE
- APC
- APFC
- FPFB
- MI
- DE
- AD_E
- CW
- RD
- CH
- TWR
- WR
- XS
- GD
- RTK
- RTKP
- VTK

Base Corner Drawer Cabinet and Base Corner Smart Space Companion View



Base Corner Smart Space (BCSS) cabinets can also be used as an alternate corner solution when used with a Base Filler 3x3 (BF3X3) in place of a Base Corner Drawer (BCD) cabinet

Base Corner Drawer Cabinet



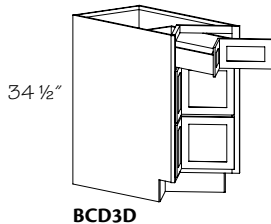
BCD2D

Two Drawer

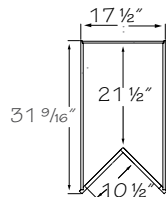
BCD36 .2D

Three Drawer

BCD36 .3D



BCD3D



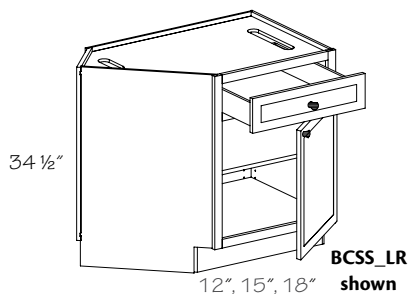
- 90 degree frame
- Drawer is the same as a B12
- **Not** available with any drawer box accessories
- Requires 36" of wall space



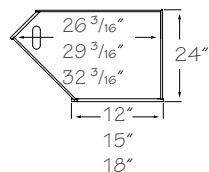
Be sure to use a filler next to the Base Corner Drawer Cabinet (BCD) if an adjacent unit is deeper than 24". The filler width **must** equal the distance a unit will extend beyond the Base Corner Drawer Cabinet (BCD) to ensure proper drawer clearance. For example: The Base Corner Drawer Cabinet (BCD) will require a 2" filler if a 26" deep range is placed next to it.

●	PE
●	APC
	APFC
	FPEB
	MI
	DE
	AD_E
	CW
	RD
	CH
	TWR
●	WR
●	XS
	GD
	RTK
	RTKP
●	VTK

Base Corner Smart Space Cabinet



BCSS_LR
12", 15", 18"
shown



Specify RR or RL Right

- BCSS12 RR or RL**
- BCSS15 RR or RL**
- BCSS18 RR or RL**

Specify LR or LL Left

- BCSS12 LR or LL**
- BCSS15 LR or LL**
- BCSS18 LR or LL**

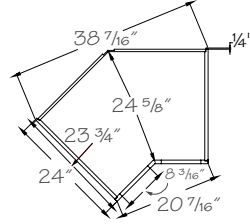
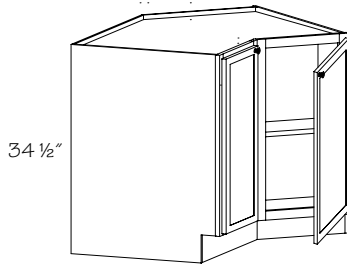
- Extended Stile (XS) available on the left side only
- Extended Stile (XS) available on the right side only

- Roll-out Trays (ROT) are **not** available
- Right cabinets: Place on the left side of a Base Corner Drawer cabinet (See Base Corner Drawer Cabinet and Base Corner Smart Space Companion View)
- Left cabinets: Place on the right side of a Base Corner Drawer cabinet (See Base Corner Drawer Cabinet and Base Corner Smart Space Companion View)
- ☆ Furniture Ends will be supplied on the non-angled end panels only

●	PE
●	APC
☆	APFC
☆	FPEB
●	MI
●	DE
●	AD_E
	CW
	RD
	CH
●	TWR
●	WR
☆	XS
●	GD
●	RTK
	RTKP
●	VTK

135° Base Inside Angle Corner Cabinet

BIA21

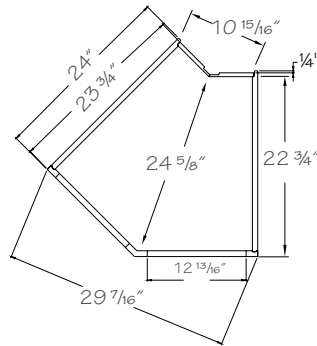
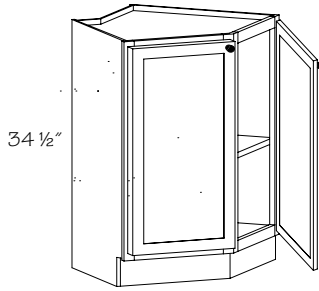


- Backs of cabinets are slightly recessed to allow for wall imperfections, shimming is required
- One adjustable shelf

●	PE
●	APC
●	APFC
●	FPEB
●	MI
	DE
	AD_E
	CW
	RD
●	CH
	TWR
●	WR
●	XS
	GD
●	RTK
	RTKP
●	VTK

135° Base Outside Angle Corner Cabinet

BOAC6



- Backs of cabinets are slightly recessed to allow for wall imperfections, shimming is required
- One adjustable shelf

●	PE
●	APC
●	APFC
●	FPEB
●	MI
	DE
	AD_E
	CW
	RD
●	CH
	TWR
●	WR
●	XS
●	GD
●	RTK
	RTKP
●	VTK

Peninsula Base Corner Cabinets

Construction Options and Modifications

PEZR	36	R	L
code	width	kitchen side hinging	rear frame position

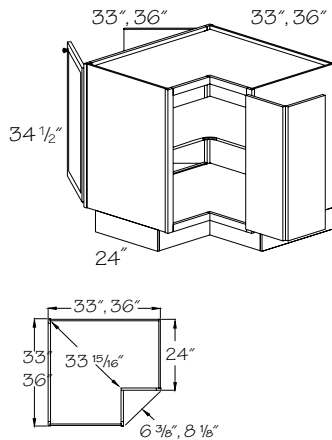
- ❖ Included as standard
- Available with an upcharge
- ☆ Available with exceptions
- (Blank) **Not** available

- PE Plywood Ends
- APC All Plywood Construction
- APFC All Plywood Furniture Construction
- FPEB Furniture Plywood Ends
- MI Matching Interior
- AD_E Attached Decorative End
- CW Change Width
- RD Reduced Depth
- CH Change Height
- IF Inverted Frame
- TWR Top Wide Rail
- WR Wide Bottom Rail
- XS Extended Stile
- GD Glass Doors
- RTK Recessed Toe Kick
- RTKP Recessed Toe Kick Peninsula
- VTK Void Toe Kick

Material dimensions listed may vary slightly from actual dimensions of the product.

Specifications subject to change without notice.

Peninsula Easy Reach



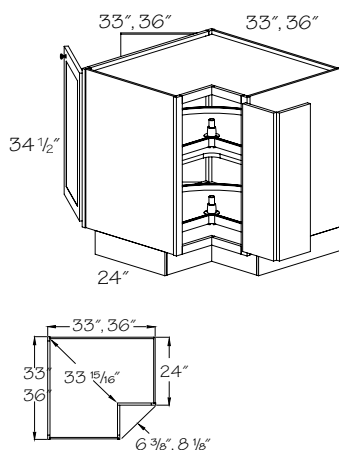
All dimensions are to outside of frame

- ★◆ PEZR33 RR or L
- ★◆ PEZR33 LR or L
- ※ PEZR36 RR or L
- ※ PEZR36 LR or L
- ★ Glass doors **not** available on kitchen side
- ◆ Vega doors will have a solid, recessed flat panel on kitchen side. Caparo doors will have a veneer, recessed flat panel on kitchen side
- Wood-Grain Foil door styles will be supplied as vertical grain slabs
- ※ **Not** available with Aluminum Frame glass doors on kitchen side

- Specify R or L
- The first R or L designates kitchen side door hinging
- The second R or L designates rear (peninsula) frame position
- One fixed shelf
- Frame opening, from left to right edge is 10 1/2" for EZR33 and 14 3/4" for EZR36
- Doors are profiled on one long and two short edges and are connected with hinges
- Butt doors on peninsula side
- Toe kick is detachable
- 31" door clearance recommended for delivery
- **Note:** Kitchen side does **not** include Soft-Close feature. Peninsula side doors feature Soft-Close hinge

- PE
- APC
- APFC
- FPEB
- MI
- AD_E
- CW
- RD
- CH
- IF
- TWR
- WR
- XS
- ☆ GD
- RTK
- RTKP
- VTK

Peninsula Easy Reach Wood Super Susan



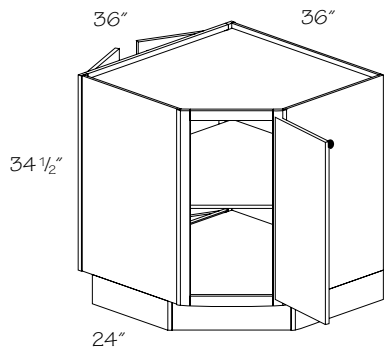
All dimensions are to outside of frame

- ★◆ PEZR33 RR or L.WSS
- ★◆ PEZR33 LR or L.WSS
- ※ PEZR36 RR or L.WSS
- ※ PEZR36 LR or L.WSS
- ★ Glass doors **not** available on kitchen side
- ◆ Vega doors will have a solid, recessed flat panel on kitchen side. Caparo doors will have a veneer, recessed flat panel on kitchen side
- Wood-Grain Foil door styles will be supplied as vertical grain slabs
- ※ **Not** available with Aluminum Frame glass doors on kitchen side

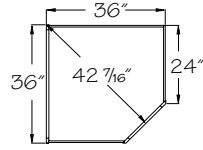
- Specify R or L
- The first R or L designates kitchen side door hinging
- The second R or L designates rear (peninsula) frame position
- Two pie-cut shelves rotate individually
- EZR33 has 28" diameter shelves; EZR36 has 32" diameter shelves
- Rotating shelves are attached to cabinet floor and fixed shelf
- Lazy Susan **cannot** be turned from peninsula side with kitchen side doors in closed position
- Frame opening, from left to right edge is 10 1/2" for EZR33 and 14 3/4" for EZR36
- Doors are profiled on one long and two short edges and are connected with hinges
- Butt doors on peninsula side
- 31" door clearance recommended for delivery
- Toe kick is detachable
- **Note:** Kitchen side does **not** include Soft-Close feature. Peninsula side doors feature Soft-Close hinge

- PE
- APC
- APFC
- FPEB
- MI
- AD_E
- CW
- RD
- CH
- IF
- TWR
- WR
- XS
- ☆ GD
- RTK
- ◆ RTKP
- VTK

Peninsula Base Angle Cabinet



PBA36 RR or L
PBA36 LR or L



- Specify R or L
- The first R or L designates kitchen side door hinging
- The second R or L designates rear (peninsula) frame position
- One fixed shelf
- Full-height doors
- Toe kick is detachable
- 31" door clearance recommended for delivery
- **Note:** Full overlay door styles: Kitchen side (front) doors use a 1/2" overlay hinge. Peninsula side (back) doors use a full overlay hinge

●	PE
●	APC
●	APFC
●	FPEB
●	MI
●	AD_E
	CW
	RD
●	CH
	IF
	TWR
	WR
	XS
●	GD
	RTK
❖	RTKP
	VTK

Base End Run Cabinets

Construction Options and Modifications

SBEOS	12	24
code	width	depth

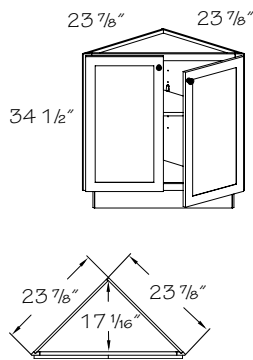
- ❖ Included as standard
- Available with an upcharge
- ☆ Available with exceptions
- (Blank) **Not** available

- PE Plywood Ends
- APC All Plywood Construction
- APFC All Plywood Furniture Construction
- FPEB Furniture Plywood Ends
- MI Matching Interior
- DE Integrated Decorative End
- AD_E Attached Decorative End
- CW Change Width
- RD Reduced Depth
- CH Change Height
- WR Wide Bottom Rail
- GD Glass Doors
- RTK Recessed Toe Kick
- RTKP Recessed Toe Kick Peninsula
- VTK Void Toe Kick

Material dimensions listed may vary slightly from actual dimensions of the product.

Specifications subject to change without notice.

Base Corner Angle

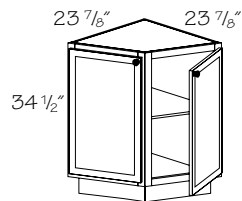


BCA24 BUTT

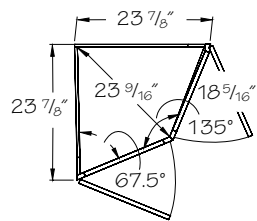
- One adjustable shelf
- Can be installed on either right or left end
- Contrasting Back Options (CBEB, CPLB, CVGR) **not** available

- PE
- APC
- APFC
- FPEB
- MI
- DE
- AD_E
- CW
- RD
- CH
- WR
- GD
- RTK
- RTKP
- VTK

Base End Corner



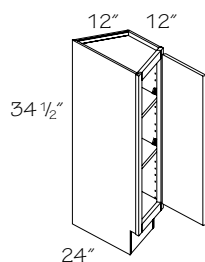
BEC24



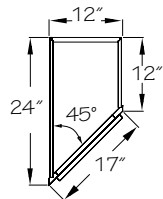
- One adjustable shelf
- Can be installed on either right or left end
- Contrasting Back Options (CBEB, CPLB, CVGR) **not** available

- PE
- APC
- APFC
- FPEB
- MI
- DE
- AD_E
- CW
- RD
- CH
- WR
- GD
- RTK
- RTKP
- VTK

Base End Angle



BEA12 R or L

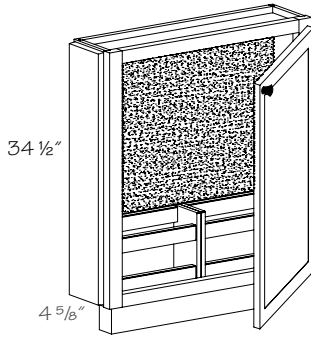


- Specify R or L for single door hinging
- Right shown
- Two adjustable shelves
- Full-height door
- One optional tray divider available in center location only
- ☆ Recessed Toe Kick (RTK) available hinge side only
- ☆ Minimum Reduced Depth (RD) is 18"
- ☆ Wide Rail Plain only (WR)
- ☆ Integrated Decorative End (DE) available on 12" deep side only
- **Note:** Full overlay door styles use a 1/2" overlay hinge

- PE
- APC
- APFC
- FPEB
- MI
- ☆ DE
- AD_E
- CW
- ☆ RD
- CH
- ☆ WR
- GD
- ☆ RTK
- RTKP
- VTK

Base Message Center

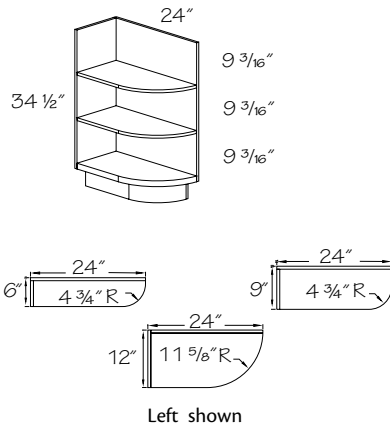
MCB24 R or L



- Specify R or L for single door hinging
- For use at the end of a cabinet run
- Includes cork board and two magazine racks
- Filler Overlay (FO) supplied, ships separately, field install

PE
APC
◆ APFC
FPEB
MI
DE
AD_E
CW
RD
CH
● WR
● GD
◆ RTK
RTKP
● VTK

Solid Wood Base End Open Shelf 24" Deep

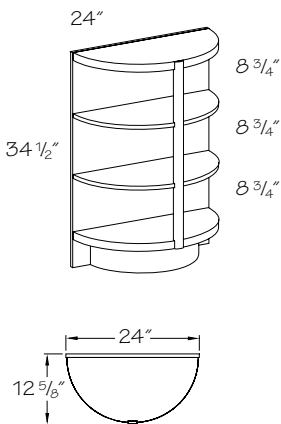


SBEOS624 R or L
SBEOS924 R or L
SBEOS1224 R or L

- Specify R or L
- Three fixed shelves
- 1 3/16" thick bottom shelf
- Solid wood construction on shelves only
- 5/8" wood veneer on sides and back
- Back Options (BEB and VGRB) **not** available
- Contrasting Back Options (CBEB, CPLB, CVGR) **not** available
- Plain sawn material supplied for Bristow Crafted door styles
- Quartersawn door styles are supplied plain sawn
- **Not** available in High-Gloss Foil or Wood-Grain Foil door styles
- ☆ Shelves remain solid when APC option is chosen; sides and back will be 11/16" matching wood veneer plywood
- ☆ Reduced Depth (RD) available in 3" increments to a minimum of 12"
- Order Example: SBEOS 1224R-RD reduce depth to 18"

PE
☆ APC
APFC
FPEB
◆ MI
DE
AD_E
CW
☆ RD
CH
WR
GD
RTK
RTKP
● VTK

Solid Wood Peninsula Base End Open Shelf 12" Deep



SPBEOS1224

- 11 5/8" radius
- 5/8" wood veneer on back panel
- 1 3/16" thick top and bottom shelves; for Curved Moldings see Molding section
- Three fixed shelves
- Solid wood construction on shelves only
- Back may be notched in field for continuous toe kick applications
- Contrasting Back Options (CBEB, CPLB, CVGR) **not** available
- Plain sawn material supplied for Bristow Crafted door styles
- Quartersawn door styles are supplied plain sawn
- **Not** available in High-Gloss Foil or Wood-Grain Foil door styles
- ☆ Shelves remain solid when APC option is chosen; back will be 11/16" matching wood veneer plywood

PE
☆ APC
APFC
FPEB
◆ MI
DE
AD_E
CW
RD
CH
WR
GD
RTK
RTKP
● VTK

Base Island

Construction Options and Modifications

IECDO	38	14	• CLS
code	width	depth	leg style

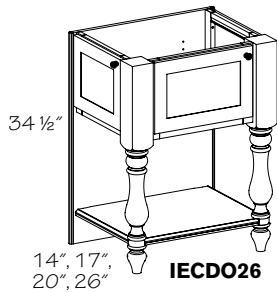
- ❖ Included as standard
- Available with an upcharge
- ☆ Available with exceptions
- (Blank) **Not** available

- PE Plywood Ends
- APC All Plywood Construction
- APFC All Plywood Furniture Construction
- MI Matching Interior
- DE Integrated Decorative End
- CW Change Width
- CH Change Height
- IF Inverted Frame
- TWR Top Wide Rail
- GD Glass Doors
- RTK Recessed Toe Kick
- VTK Void Toe Kick

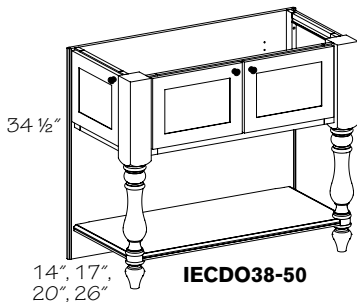
Material dimensions listed may vary slightly from actual dimensions of the product.

Specifications subject to change without notice.

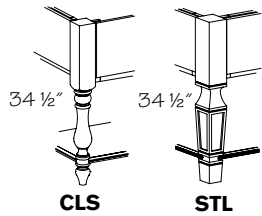
Island End Cap with Doors



IECDO26

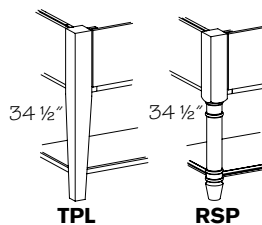


IECDO38-50



CLS

STL



TPL

RSP

Classic Leg

- IECDO2614 R or L.CLS**
- IECDO3814 .CLS**
- IECDO4114 .CLS**
- IECDO4414 .CLS**
- IECDO5014 .CLS**
- IECDO2617 R or L.CLS**
- IECDO3817 .CLS**
- IECDO4117 .CLS**
- IECDO4417 .CLS**
- IECDO5017 .CLS**
- IECDO2620 R or L.CLS**
- IECDO3820 .CLS**
- IECDO4120 .CLS**
- IECDO4420 .CLS**
- IECDO5020 .CLS**
- IECDO2626 R or L.CLS**
- IECDO3826 .CLS**
- IECDO4126 .CLS**
- IECDO4426 .CLS**
- IECDO5026 .CLS**

Roman Spindle

- IECDO2614 R or L.RSP**
- IECDO3814 .RSP**
- IECDO4114 .RSP**
- IECDO4414 .RSP**
- IECDO5014 .RSP**
- IECDO2617 R or L.RSP**
- IECDO3817 .RSP**
- IECDO4117 .RSP**
- IECDO4417 .RSP**
- IECDO5017 .RSP**
- IECDO2620 R or L.RSP**
- IECDO3820 .RSP**
- IECDO4120 .RSP**
- IECDO4420 .RSP**
- IECDO5020 .RSP**
- IECDO2626 R or L.RSP**
- IECDO3826 .RSP**
- IECDO4126 .RSP**
- IECDO4426 .RSP**
- IECDO5026 .RSP**

Sterling Leg

- IECDO2614 R or L.STL**
- IECDO3814 .STL**
- IECDO4114 .STL**
- IECDO4414 .STL**
- IECDO5014 .STL**
- IECDO2617 R or L.STL**
- IECDO3817 .STL**
- IECDO4117 .STL**
- IECDO4417 .STL**
- IECDO5017 .STL**
- IECDO2620 R or L.STL**
- IECDO3820 .STL**
- IECDO4120 .STL**
- IECDO4420 .STL**
- IECDO5020 .STL**
- IECDO2626 R or L.STL**
- IECDO3826 .STL**
- IECDO4126 .STL**
- IECDO4426 .STL**
- IECDO5026 .STL**

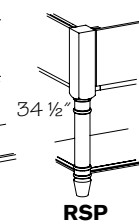
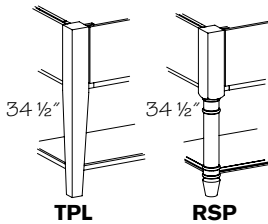
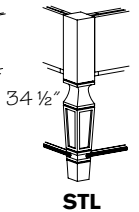
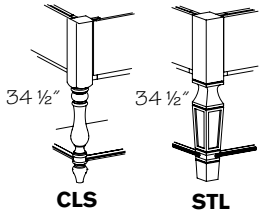
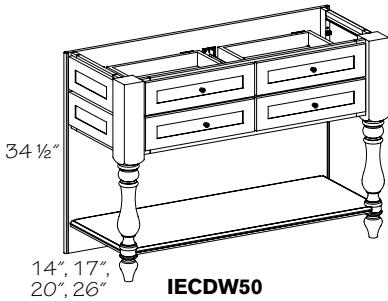
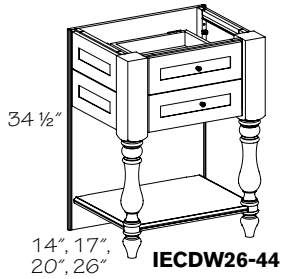
Tapered Leg

- IECDO2614 R or L.TPL**
- IECDO3814 .TPL**
- IECDO4114 .TPL**
- IECDO4414 .TPL**
- IECDO5014 .TPL**
- IECDO2617 R or L.TPL**
- IECDO3817 .TPL**
- IECDO4117 .TPL**
- IECDO4417 .TPL**
- IECDO5017 .TPL**
- IECDO2620 R or L.TPL**
- IECDO3820 .TPL**
- IECDO4120 .TPL**
- IECDO4420 .TPL**
- IECDO5020 .TPL**
- IECDO2626 R or L.TPL**
- IECDO3826 .TPL**
- IECDO4126 .TPL**
- IECDO4426 .TPL**
- IECDO5026 .TPL**

- Specify R or L for single door hinging
- Available in Rustic Alder, Cherry, EverCore®, Thermofoil, Maple, Wood-Grain Foil and full overlay door styles only
- Thermofoils are painted hardwood
- Painted hardwood supplied for Wood-Grain Foil door styles; only available in white
- Side doors are fully operational
- Backs of Island End Caps are finished both sides
- Contrasting Back Options (CBEB, CPLB, CVGR) **not** available
- Open area height from top of bottom shelf to cabinet frame is 16"
- **Note:** Cabinet back panel designed to sit 3/4" proud of doors or drawer fronts

PE
APC
❖ APFC
❖ MI
DE
CW
CH
IF
TWR
GD
RTK
VTK

Island End Cap with Drawers



Classic Leg

IECDW2614 .CLS
IECDW3814 .CLS
IECDW4114 .CLS
IECDW4414 .CLS
IECDW5014 .CLS
IECDW2617 .CLS
IECDW3817 .CLS
IECDW4117 .CLS
IECDW4417 .CLS
IECDW5017 .CLS
IECDW2620 .CLS
IECDW3820 .CLS
IECDW4120 .CLS
IECDW4420 .CLS
IECDW5020 .CLS
IECDW2626 .CLS
IECDW3826 .CLS
IECDW4126 .CLS
IECDW4426 .CLS
IECDW5026 .CLS

Roman Spindle

IECDW2614 .RSP
IECDW3814 .RSP
IECDW4114 .RSP
IECDW4414 .RSP
IECDW5014 .RSP
IECDW2617 .RSP
IECDW3817 .RSP
IECDW4117 .RSP
IECDW4417 .RSP
IECDW5017 .RSP
IECDW2620 .RSP
IECDW3820 .RSP
IECDW4120 .RSP
IECDW4420 .RSP
IECDW5020 .RSP
IECDW2626 .RSP
IECDW3826 .RSP
IECDW4126 .RSP
IECDW4426 .RSP
IECDW5026 .RSP

Sterling Leg

IECDW2614 .STL
IECDW3814 .STL
IECDW4114 .STL
IECDW4414 .STL
IECDW5014 .STL
IECDW2617 .STL
IECDW3817 .STL
IECDW4117 .STL
IECDW4417 .STL
IECDW5017 .STL
IECDW2620 .STL
IECDW3820 .STL
IECDW4120 .STL
IECDW4420 .STL
IECDW5020 .STL
IECDW2626 .STL
IECDW3826 .STL
IECDW4126 .STL
IECDW4426 .STL
IECDW5026 .STL

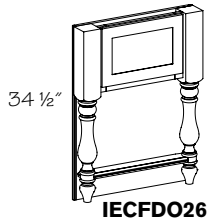
Tapered Leg

IECDW2614 .TPL
IECDW3814 .TPL
IECDW4114 .TPL
IECDW4414 .TPL
IECDW5014 .TPL
IECDW2617 .TPL
IECDW3817 .TPL
IECDW4117 .TPL
IECDW4417 .TPL
IECDW5017 .TPL
IECDW2620 .TPL
IECDW3820 .TPL
IECDW4120 .TPL
IECDW4420 .TPL
IECDW5020 .TPL
IECDW2626 .TPL
IECDW3826 .TPL
IECDW4126 .TPL
IECDW4426 .TPL
IECDW5026 .TPL

- Available in Rustic Alder Cherry, EverCore®, Thermofoil, Maple and Wood-Grain Foil door styles only
- Thermofoils are painted hardwood
- Painted hardwood supplied for Wood-Grain Foil door styles; only available in white
- Contrasting Back Options (CBEB, CPLB, CVGR) **not** available
- Backs of Island End Caps are finished both sides
- Open area height from top of bottom shelf to cabinet frame is 16"
- **Note:** Cabinet back panel designed to sit 3/4" proud of doors or drawer fronts

PE
APC
❖ APFC
❖ MI
DE
CW
CH
IF
TWR
GD
RTK
VTK

Island End Cap Open with False Doors



IECFDO26

Classic Leg

IECFDO2604 .CLS
IECFDO3804 .CLS
IECFDO4104 .CLS
IECFDO4404 .CLS
IECFDO5004 .CLS

Roman Spindle Post

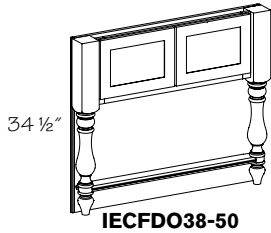
IECFDO2604 .RSP
IECFDO3804 .RSP
IECFDO4104 .RSP
IECFDO4404 .RSP
IECFDO5004 .RSP

Sterling Leg

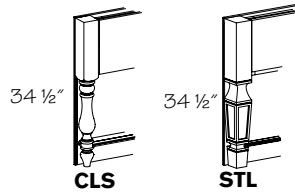
IECFDO2604 .STL
IECFDO3804 .STL
IECFDO4104 .STL
IECFDO4404 .STL
IECFDO5004 .STL

Tapered Leg

IECFDO2604 .TPL
IECFDO3804 .TPL
IECFDO4104 .TPL
IECFDO4404 .TPL
IECFDO5004 .TPL

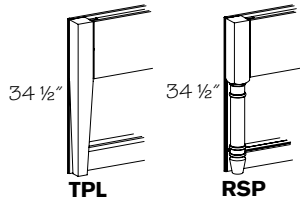


IECFDO38-50



CLS

STL



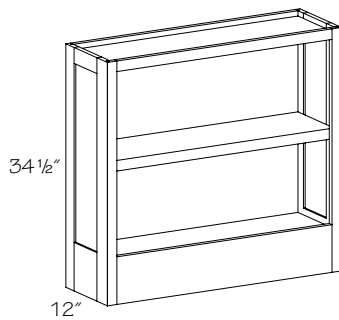
TPL

RSP

- Available in Rustic Alder Cherry, EverCore®, Thermofoil, Maple and Wood-Grain Foil door styles only
- Thermofoils are painted hardwood
- Painted hardwood supplied for Wood-Grain Foil door styles; only available in white
- Backs of Island End Caps are finished both sides
- Contrasting Back Options (CBEB, CPLB, CVGR) **not** available
- Open area height from top of bottom shelf to cabinet frame is 16"
- **Note:** Cabinet back panel designed to sit 3/4" proud of legs

PE
APC
❖ APFC
❖ MI
DE
CW
CH
IF
TWR
GD
RTK
VTK

Island End - Bookcase

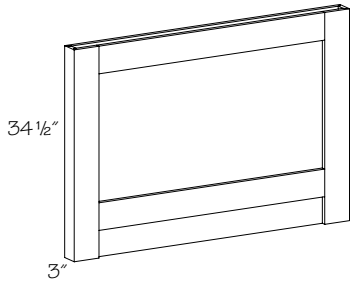


IEB261234
IEB381234
IEB501234

- Single fixed shelf
- Available in full overlay door styles and the following 1/2" overlay door styles: Fox Court, Ganon, Martel, Fairlane and Townley. All other 1/2" overlay door styles are **not** available
- **Not** available in Crafted, Rustic Alder, Hickory, High-Gloss Foil, Thermofoil, Wood-Grain Foil door styles
- **Not** available in slab door styles
- Painted hardwood supplied for EverCore®
- End panel will match selected door style on the order
- Backs are finished to match

PE
❖ APC
APFC
❖ MI
DE
CW
CH
IF
TWR
GD
RTK
VTK

Island End - Gateway

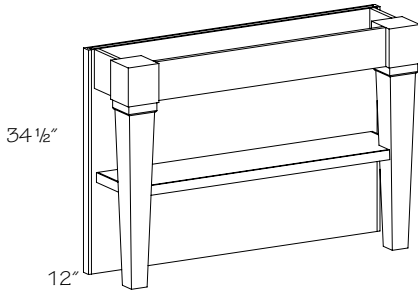


IEG260334
IEG380334
IEG500334

- Unavailable in Rustic Alder, Hickory and High-Gloss Foil door styles
- Crafted Rustic and quartersawn door styles will not contain rustic or quartersawn characteristics
- Thermofoils are painted hardwood
- Painted or Stained hardwood supplied for Wood-Grain Foil door styles
- Backs are finished to match

PE
❖ APC
APFC
MI
DE
CW
CH
IF
TWR
GD
RTK
VTK

Island End - Tapered leg

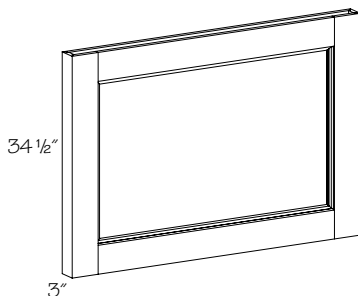


IETL261234
IETL381234
IETL501234

- Single fixed shelf
- Unavailable in Rustic Alder, Hickory and High-Gloss Foil door styles
- Crafted Rustic and quartersawn door styles will not contain rustic or quartersawn characteristics
- Thermofoils are painted hardwood
- Painted or Stained hardwood supplied for Wood-Grain Foil door styles
- Backs are finished to match

PE
❖ APC
APFC
❖ MI
DE
CW
CH
IF
TWR
GD
RTK
VTK

Island End - Transitional



IET260334
IET380334
IET500334

- Unavailable in Rustic Alder, Hickory and High-Gloss Foil door styles
- Crafted, Rustic and Quartersawn door styles will not contain rustic or quartersawn characteristics
- Thermofoils are painted hardwood
- Painted or Stained hardwood supplied for Wood-Grain Foil door styles
- Backs are finished to match

PE
❖ APC
APFC
MI
DE
CW
CH
IF
TWR
GD
RTK
VTK

Base Specialty Cabinets

Construction Options and Modifications

BTP	9
code	width

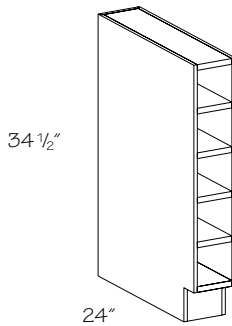
- ❖ Included as standard
- Available with an upcharge
- ☆ Available with exceptions
- (Blank) **Not** available

- PE Plywood Ends
- APC All Plywood Construction
- APFC All Plywood Furniture Construction
- FPEB Furniture Plywood Ends
- MI Matching Interior
- DE Integrated Decorative End
- AD_E Attached Decorative End
- CW Change Width
- RD Reduced Depth
- CH Change Height
- IF Inverted Frame
- TWR Top Wide Rail
- WR Wide Bottom Rail
- XS Extended Stile
- GD Glass Doors
- RTK Recessed Toe Kick
- RTKP Recessed Toe Kick Peninsula
- VTK Void Toe Kick
- TKD Toe Kick Drawer

Material dimensions listed may vary slightly from actual dimensions of the product.

Specifications subject to change without notice.

Base Wine Rack



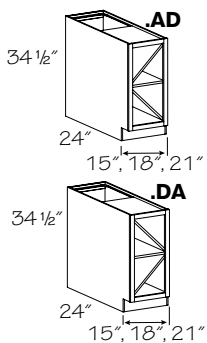
BWR6

- Wood veneer construction with 1/2" end panels; **not** available in plywood
- Four fixed shelves
- Bottle stop pin placed at 12" (removable)
- Contrasting Back Options (CBEB, CPLB, CVGR) **not** available
- Crafted or Quartersawn door styles will be supplied in plain sawn wood
- Painted hardwood supplied for EverCore®
- Vinyl edge banding applied to edges of cabinet
- Recommended installation is between two cabinets
- ☆ Minimum Reduced Depth (RD) is 12" for Thermofoil door styles; 6" for wood door styles
- ☆ Only available with Recessed Toe Kick Peninsula Back (RTKP); **cannot** accommodate Recessed Toe Kick for sides (RTKPB, RTKPL, RTKPR)
- **Note:** This cabinet features "frameless" type construction

PE	IF
APC	TWR
APFC	WR
FPEB	XS
❖ MI	GD
DE	RTK
AD_E	☆ RTKP
CW	● VTK
☆ RD	TKD
CH	



Base - Offset Diagonal Wine Storage Cabinet



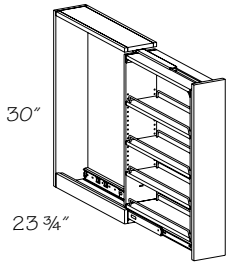
- Top Section-Ascending
- Bottom Section-Descending
- BODWC15 .AD**
- BODWC18 .AD**
- BODWC21 .AD**
- Top Section-Descending
- Bottom Section-Ascending
- BODWC15 .DA**
- BODWC18 .DA**
- BODWC21 .DA**

Grey color coding indicates new product, size or code.

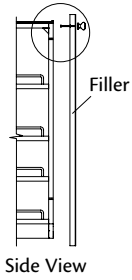
- 11/16" (17.5 mm) thick shelves
- Shelves fixed into position and are **not** adjustable
- When (RD) is selected, wine storage section will always be 12" deep. The cabinet when ordered from 24" deep to 13" deep will always have a back panel in the wine storage section that is up against the wine storage dividers
- Ascending and descending orientation is from left to right

PE	IF
❖ APC	TWR
● APFC	● WR
FPEB	● XS
❖ MI	GD
DE	● RTK
AD_E	RTKP
CW	● VTK
RD	TKD
CH	

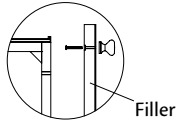
Base Filler Pull-out



- BFP3** 1 3/4" shelf width
- BFP6** 4 3/4" shelf width



Install decorative hardware prior to attaching filler to pull-out unit



- Three adjustable shelves
- Unit slides on full extension side-mount runners
- Recommended installation is between two cabinets
- Installation may also be made between a cabinet and a wall or a cabinet and an end panel with stile
- Filler is included, but unattached. Unit should be installed before removing shipping brace and attaching filler
- A filler overlay is recommended for full overlay door styles; **must** be ordered separately
- Crafted or Quartersawn door styles will be supplied in plain sawn wood
- Painted hardwood supplied for EverCore®
- No toe kick

PE	IF
APC	TWR
APFC	WR
FPEB	XS
MI	GD
DE	RTK
AD_E	RTKP
CW	VTK
RD	TKD
CH	

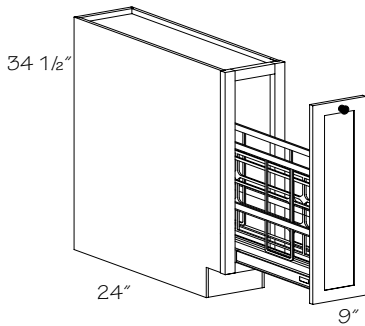


Do **not** use filler pullouts (WFP, BFP, BSPP) at the end of cabinet runs or next to appliances. They **must** be installed between two cabinets or a cabinet and an end panel.



Consider using a Replacement Drawer Front (RDW3006) on a Base Filler Pullout (BFP) as an overlay for 1/2" door styles.

Base Tray Pull-out



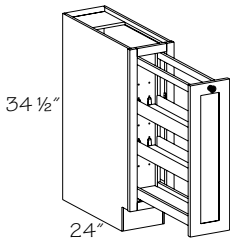
- ※◆■ **BTP9**
- BTP12**

- ※ Vega doors will have a solid, recessed flat panel
- ◆ Recessed Toe Kick Both Sides (RTKB) **not** available
- Recessed Toe Kick Peninsula Both Sides (RTKPB) **not** available

- Unit slides on full extension under-mount Soft-Close runners
- Center tray divider can be removed
- Chrome rack with T-Bar included to subdivide sections for customized compartments

● PE	IF
● APC	TWR
● APFC	● WR
● FPEB	● XS
● MI	GD
● DE	☆ RTK
● AD_E	☆ RTKP
CW	● VTK
RD	TKD
CH	

Base Pantry Pull-out



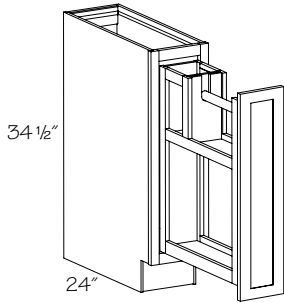
- ※◆■ **BPP9** 4 1/2" shelf width
- BPP12** 7 1/2" shelf width

- ※ Vega doors will have a solid, recessed flat panel
- ◆ Recessed Toe Kick Both Sides (RTKB) **not** available
- Recessed Toe Kick Peninsula Both Sides (RTKPB) **not** available

- Two adjustable shelves
- One fixed wood shelf attached to the bottom of a full-height door
- Unit slides on full extension under-mount Soft-Close runners

● PE	IF
● APC	TWR
● APFC	● WR
● FPEB	● XS
● MI	GD
● DE	☆ RTK
● AD_E	☆ RTKP
CW	● VTK
RD	TKD
CH	

Base Cleaning Storage Cabinet

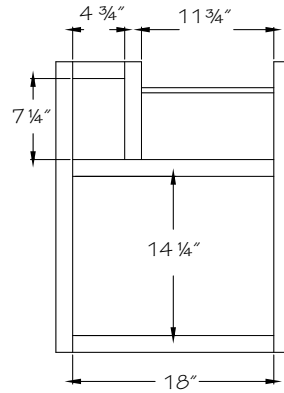


※†◆■ BCS9 BCS12

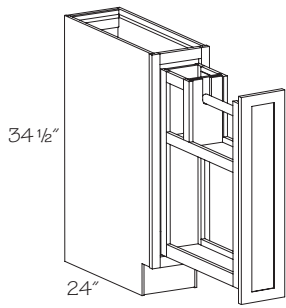
- ※ Recessed Toe Kick Both Sides (RTKB) *not* available
- † Toe Kick Drawer (TKD) option *not* available
- ◆ Recessed Toe Kick Peninsula Both Sides (RTKPB) *not* available
- ★ Available in full overlay door styles only
- Frame rails are 15/16" wide

- Paper towel holder
- Upper and lower storage space
- Unit slides on full extension under-mount Soft-Close runners

● PE	IF
● APC	TWR
● APFC	● WR
● FPFB	● XS
MI	GD
● DE	☆ RTK
● AD_E	☆ RTKP
CW	● VTK
RD	☆ TKD
CH	



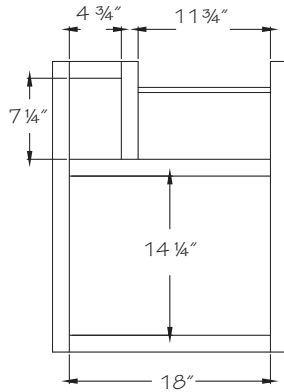
Base Cleaning Storage Cabinet - w/Auto-Open Feature



	Cabinet Width
BCS9•AO	6 5/8"
BCS12•AO	9 5/8"

※◆†■ **BCS9 .AO**
BCS12 .AO

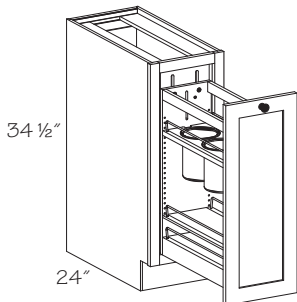
- ※ Recessed Toe Kick Both Sides (RTKB) **not** available
- ◆ Recessed Toe Kick Peninsula Both Sides (RTKPB) **not** available
- † Toe Kick Drawer (TKD) option **not** available
- ★ Available in full overlay door styles only
- Frame rails are 15/16" wide



- Paper towel holder
- Upper and lower storage space
- Unit slides on full extension under-mount Soft-Close runners
- Pressing door front will activate Auto-open; closes like a standard drawer with Soft-Close
- Auto-open Kit (AO) requires 110V power source at back of cabinet
- Permaset bumpers are **not** included on doors ordered with the Auto-open Kit (AO)
- **Note:** Auto-open Kit (AO) requires field installation

● PE	IF
● APC	TWR
● APFC	● WR
● FPFB	● XS
MI	GD
● DE	☆ RTK
● AD_E	☆ RTKP
● CW	● VTK
RD	☆ TKD
CH	

Base Utensil Pull-Out



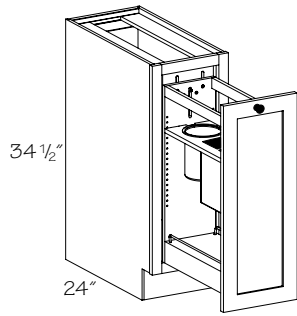
◆■† **BUP9** 5" canisters
BUP12 5 1/2" canisters

- ◆ Recessed Toe Kick Both Sides (RTKB) **not** available
- Recessed Toe Kick Peninsula Both Sides (RTKPB) **not** available
- † Toe Kick Drawer (TKD) option **not** available

- One adjustable shelf with three metal storage canisters and one adjustable plain shelf with chrome galley rails. Canister depth is 5 3/4" for BUP9; 6 3/4" for BUP12
- 9" cabinet measures 5" wide with 4 1/2" clearance between the metal rails. Contains a secondary adjustable shelf
- 12" cabinet measures 8" wide with 7/12" clearance between the metals rails. Does **not** contain a secondary adjustable shelf
- Unit slides on full extension under-mount Soft-Close runners

● PE	IF
● APC	TWR
● APFC	● WR
● FPFB	● XS
● MI	GD
● DE	☆ RTK
● AD_E	☆ RTKP
● CW	● VTK
RD	☆ TKD
CH	

Base Pantry Pull-out Utensil Storage

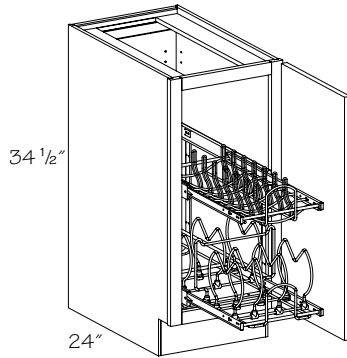


BPPUS12 7 1/2" shelf width

- One adjustable shelf with two universal knife inserts measuring 4 3/4" x 4 3/4" x 9" deep, and one steel utensil bin
- Unit slides on full extension under-mount Soft-Close runners

● PE	IF
● APC	TWR
● APFC	● WR
● FPFB	● XS
● MI	GD
● DE	● RTK
● AD_E	● RTKP
CW	● VTK
RD	TKD
CH	

Tiered Pan and Lid Storage Pull-out

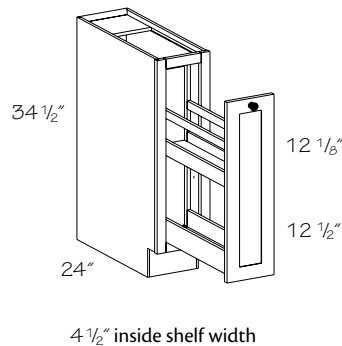


B15 R or L.FH.TPLS

- Specify R or L for single door hinging
- Chrome wire roll-out unit
- Pull-out unit is 11 5/8" wide
- Bottom portion of pull-out has movable dividers and is adjustable to accommodate different pan sizes
- Unit slides on full extension side-mount runners

● PE	IF
● APC	● TWR
● APFC	● WR
● FPFB	● XS
● MI	GD
● DE	● RTK
● AD_E	● RTKP
CW	● VTK
RD	● TKD
CH	

Base Liter Bottle

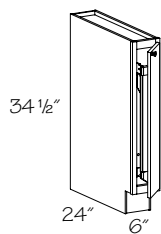


BLB9

- Designed to hold ten 2-liter bottles; capacity may vary depending on bottle dimension
- Two fixed wood shelves attached to a full-height door
- Unit slides on heavy duty full extension runners with integrated buffer
- Vega doors will have a solid, recessed flat panel
- ☆ Recessed Toe Kick Both Sides (RTKB) **not** available
- ☆ Recessed Toe Kick Peninsula Both Sides (RTKPB) **not** available
- **Note:** 3-liter bottles will **not** fit

● PE	IF
● APC	TWR
● APFC	● WR
● FPFB	● XS
● MI	GD
● DE	☆ RTK
● AD_E	☆ RTKP
CW	● VTK
RD	TKD
CH	

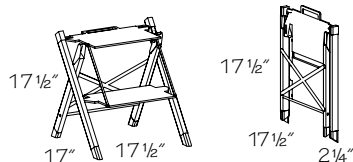
Base Step Stool Cabinet



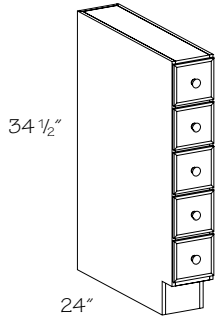
BSS6 R or L

- Specify R or L for single door hinging
- Available in full overlay only
- Frame rails are 15/16" wide
- Replacement Hinge: PHB6FO.SC
- Ladder Weight Capacity 250 pounds
- Wide Rail Plain only (WR)
- ☆ Recessed Toe Kick Both Sides (RTKB) **not** available
- ☆ Recessed Toe Kick Peninsula Both Sides (RTKPB) **not** available
- Door defaults to a slab design with an outside profile matching the selected door style
- ☆ **Cannot** be reduced less than 34 1/2" and max height is 42"

● PE	IF
● APC	TWR
● APFC	☆ WR
● FPFB	● XS
● MI	GD
DE	☆ RTK
AD_E	☆ RTKP
CW	● VTK
RD	TKD
☆ CH	



Base Spice Drawer Cabinet

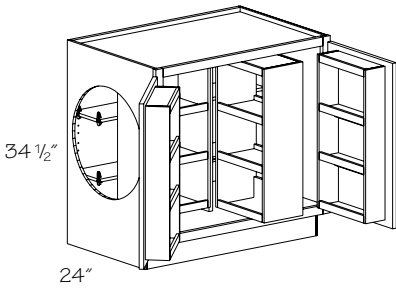


BSDC6

- Wood veneer construction with 1/2" end panels; **not** available in plywood
- Drawer boxes have 1/2" sides and 3/4" floor, front and back
- Interior drawer depth 22" from front to back
- Solid wood 3/4" thick slab drawer fronts with an eased edge. Outside profile will be the same regardless of the selected door style.
- Drawer front is adjustable
- All drawer boxes are Natural Birch wood veneer plywood
- Drawer box slides along wood guide. Wood guide is used to keep drawers from moving left to right
- Matching wood knobs included, **not** installed
- Vinyl edge banding applied to edges of cabinet
- Recommended installation is between two cabinets
- Replacement knobs available—use the following order codes: 161 for Maple; 171 for Cherry; 181 for Oak and Hickory; 191 for Alder; 634 for Thermofolds. See Decorative Hardware section for description
- Quartersawn door styles are supplied plain sawn
- **Not** available in High-Gloss Foil or Wood-Grain Foil door styles
- ☆ Only available with Recessed Toe Kick Peninsula Back (RTKP); **cannot** accommodate Recessed Toe Kick for sides (RTKPB, RTKPL, RTKPR)
- **Note:** This cabinet features "frameless" type construction

PE	IF
APC	TWR
APFC	WR
FPEB	XS
◇ MI	GD
DE	RTK
AD_E	☆ RTKP
CW	● VTK
RD	TKD
CH	

Base Multi-Storage Pantry

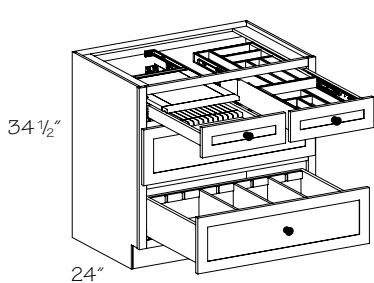


BMSP36

- Adjustable 7 1/8" deep shelves
- Swing-out shelves operate within a 90° door opening
- Two 4" deep door storage racks with three fixed shelves
- Two 8" deep double sided swing-out storage racks with three fixed shelves
- Contrasting Back Options (CBEB, CPLB, CVGR) **not** available

● PE	IF
● APC	TWR
● APFC	● WR
● FPEB	● XS
● MI	GD
DE	● RTK
● AD_E	● RTKP
CW	● VTK
RD	● TKD
CH	

Base Cooking Center

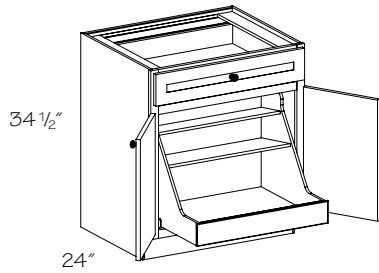


BCC36 # knife slots 12

- Knife Section Cutting Center (KSCC18) in top left drawer
- Wood Tiered Drawer Storage (WTCD18) in top right drawer
- Two 7" deep drawers with Adjustable Drawer Dividers (ADD)

● PE	IF
● APC	TWR
● APFC	● WR
● FPEB	● XS
MI	GD
● DE	● RTK
● AD_E	● RTKP
CW	● VTK
RD	● TKD
CH	

Base w/Pots and Pans Organizer

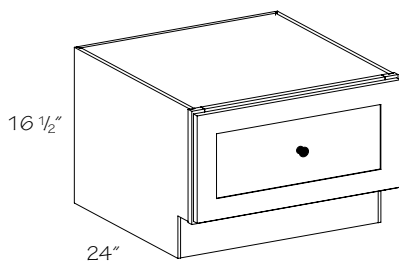


B30 BUTT.BPPSO
B36 BUTT.BPPSO

- 4" high Roll-out Tray with integrated shelf system
- Roll-out sides and back are 3/4" wood veneer plywood; the shelves are 1/2" wood veneer plywood
- Includes full extension soft-close runners

● PE	● IF
● APC	● TWR
● APFC	● WR
● FPEB	● XS
● MI	● GD
● DE	● RTK
● AD_E	● RTKP
● CW	● VTK
● RD	● TKD
● CH	

Pedestal Drawer



PSD18
PSD21
PSD24
PSD27
PSD30
PSD33
PSD36

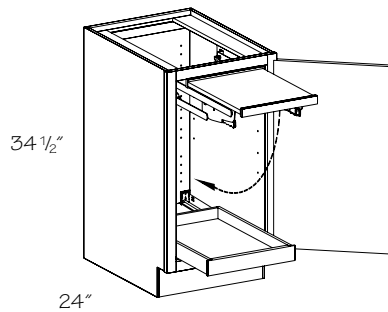
- 24" wide unit will house a single dishwasher drawer when installed between two cabinets
- **Not** intended for washing machines or dryers



This cabinet can be used for bench seating. Add a wood top for a finished look!

● PE	● IF
● APC	● TWR
● APFC	● WR
● FPEB	● XS
● MI	● GD
● DE	● RTK
● AD_E	● RTKP
● CW	● VTK
● RD	● TKD
● CH	

Base Mixer Shelf

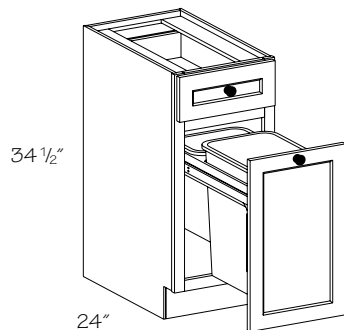


BMS18 R or L
BMS21 R or L
BMS24 R or L
BMS24 BUTT

- Specify R or L for single door hinging
- Full-height door
- One Roll-out Tray (ROT)
- Bottom Rollout Tray includes full extension soft-close runners
- Maximum appliance height is 16"
- Lift mechanism includes a soft-close/cushion feature when lowered back into the cabinet
- Weight capacity is adjustable up to 60 lbs.; unit shipped at 30 lbs. capacity

● PE	● IF
● APC	● TWR
● APFC	● WR
● FPEB	● XS
● MI	● GD
● DE	● RTK
● AD_E	● RTKP
● CW	● VTK
● RD	● TKD
● CH	

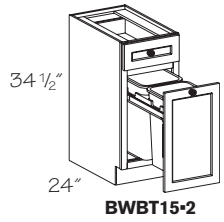
Base Top Mount Wastebasket—Single Sidemount Soft-Close



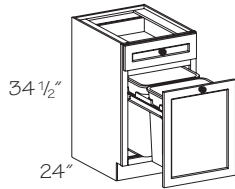
BWBT15 .SC

- 35 qt. capacity white basket(s)
- Basket(s) rest in a Natural Maple plywood frame
- Basket(s) are easily removable for emptying or cleaning
- Frame slides on Soft-Close, full extension glides
- Optional Wastebasket Lid (WBL) available for 35 and 50 qt. wastebaskets
- Optional Wastebasket Drawer Partition (WDP) is available

● PE	● IF
● APC	● TWR
● APFC	● WR
● FPEB	● XS
● MI	● GD
● DE	● RTK
● AD_E	● RTKP
● CW	● VTK
● RD	● TKD
● CH	



BWBT15-2



**BWBT18-2
BWBT24-2**

Base Top Mount Wastebasket–Double Sidemount Soft-Close

Two 27 qt. capacity white baskets

BWBT15 .2.SC

Two 35 qt. capacity white baskets

BWBT18 .2.SC

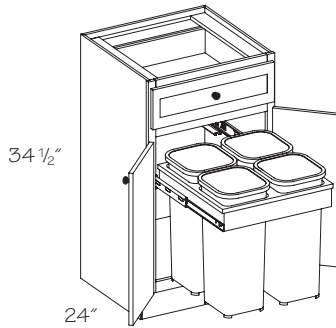
BWBT24 .2.SC

- Basket(s) rest in a Natural Maple plywood frame
- Basket(s) are easily removable for emptying or cleaning
- Frame slides on Soft-Close, full extension glides
- Optional Wastebasket Lid (WBL) available for 35 and 50 qt. wastebaskets
- Optional Wastebasket Drawer Partition (WDP) is available

● PE	● IF
● APC	● TWR
● APFC	● WR
● FPFB	● XS
MI	GD
● DE	● RTK
● AD_E	● RTKP
CW	● VTK
RD	● TKD
CH	

Base Top Mount Wastebasket–Recycling Center Sidemount Soft-Close

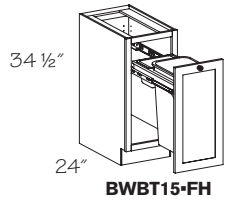
BWBT27 (Butt).4.SC



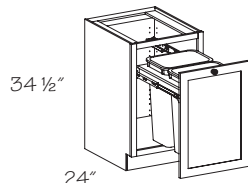
- Four 27 qt. capacity white baskets
- Basket(s) rest in a Natural Maple plywood frame
- Basket(s) are easily removable for emptying or cleaning
- Frame slides on Soft-Close, full extension glides
- Doors are **not** attached to roll-out unit
- Available in full overlay door styles only
- Optional Wastebasket Drawer Partition (WDP) is available

● PE	● IF
● APC	● TWR
● APFC	● WR
● FPFB	● XS
MI	GD
● DE	● RTK
● AD_E	● RTKP
CW	● VTK
RD	● TKD
CH	

Base Top Mount Wastebasket–Full-Height Sidemount Soft-Close



BWBT15-FH



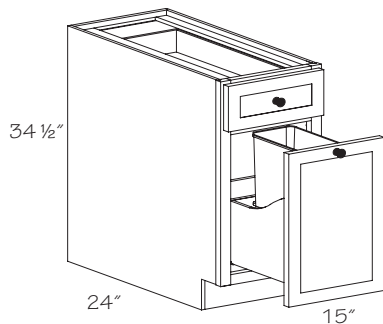
BWBT21-2-FH

**BWBT15 .FH.SC
BWBT21 .2.FH.SC**

- One or two 50 qt. capacity white baskets
- Basket(s) rest in a Natural Maple plywood frame
- Basket(s) are easily removable for emptying or cleaning
- Frame slides on Soft-Close, full extension glides
- Optional Wastebasket Lid (WBL) available for 35 and 50 qt. wastebaskets

● PE	● IF
● APC	● TWR
● APFC	● WR
● FPFB	● XS
MI	GD
● DE	● RTK
● AD_E	● RTKP
CW	● VTK
RD	● TKD
CH	

Base Bottom Mount Wastebasket–Single w/Auto-open Kit

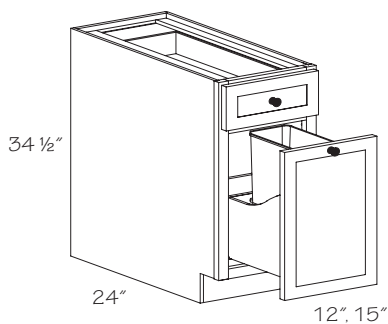


BWBB15 .AO

- 35 qt. capacity grey basket(s)
- Basket(s) rest on dovetailed Maple drawer box
- Basket(s) are easily removable for emptying or cleaning
- Drawer box slides on Soft-Close, full extension glides
- Pressing door front will activate Auto-open; closes like a standard drawer with Soft-Close
- Auto-open Kit (AO) requires 110V power source at back of cabinet
- Permaset bumpers are **not** included on doors ordered with the Auto-open Kit (AO)
- Optional Wastebasket Drawer Partition (WDP) is available
- **Note:** Auto-open Kit (AO) requires field installation

● PE	● IF
● APC	● TWR
● APFC	● WR
● FPFB	● XS
MI	GD
● DE	● RTK
● AD_E	● RTKP
CW	● VTK
RD	● TKD
CH	

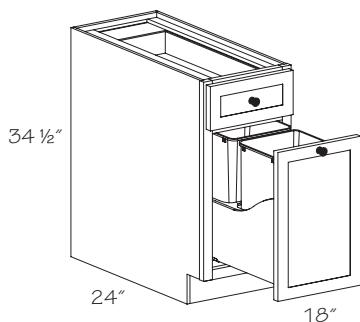
Base Bottom Mount Wastebasket–Single



- ※ **BWBB12** 30 qt. capacity grey wastebasket
 - ※ **BWBB15** 35 qt. capacity grey wastebasket
 - ※ Available in full overlay door styles only
- Basket(s) rest on dovetailed Maple drawer box
 - Basket(s) are easily removable for emptying or cleaning
 - Drawer box slides on Soft-Close, full extension glides
 - Optional Wastebasket Drawer Partition (WDP) is available

● PE	● IF
● APC	● TWR
● APFC	● WR
● FPEB	● XS
MI	GD
● DE	● RTK
● AD_E	● RTKP
CW	● VTK
RD	● TKD
CH	

Base Bottom Mount Wastebasket–Double w/Auto-open Kit

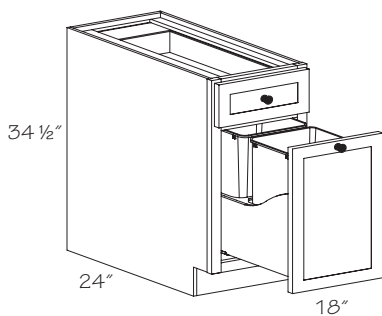


BWBB18 .2.AO

- 35 qt. capacity grey basket(s)
- Basket(s) rest on dovetailed Maple drawer box
- Basket(s) are easily removable for emptying or cleaning
- Drawer box slides on Soft-Close, full extension glides
- Permaset bumpers are **not** included on doors ordered with the Auto-open Kit (AO)
- Pressing door front will activate Auto-open; closes like a standard drawer with Soft-Close
- Auto-open Kit (AO) requires 110V power source at back of cabinet
- One green wastebasket lid is included with cabinet. Lid can only be used with the front wastebasket. Replacement lids available in white and grey only
- Optional Wastebasket Drawer Partition (WDP) is available
- **Note:** Auto-open Kit (AO) requires field installation

● PE	● IF
● APC	● TWR
● APFC	● WR
● FPEB	● XS
MI	GD
● DE	● RTK
● AD_E	● RTKP
CW	● VTK
RD	● TKD
CH	

Base Bottom Mount Wastebasket–Double



BWBB18 .2

- 35 qt. capacity grey basket(s)
- Basket(s) rest on dovetailed Maple drawer box
- Basket(s) are easily removable for emptying or cleaning
- Drawer box slides on Soft-Close, full extension glides
- One green wastebasket lid is included with cabinet. Lid can only be used with the front wastebasket. Replacement lids available in white and grey only
- Optional Wastebasket Drawer Partition (WDP) is available

● PE	● IF
● APC	● TWR
● APFC	● WR
● FPEB	● XS
MI	GD
● DE	● RTK
● AD_E	● RTKP
CW	● VTK
RD	● TKD
CH	

Base Accessories

Construction Options and Modifications

PE	Plywood Ends
APC	All Plywood Construction
APFC	All Plywood Furniture Construction
FPEB	Furniture Plywood Ends
MI	Matching Interior
CW	Change Width
RD	Reduced Depth
CH	Change Height
WR	Wide Bottom Rail
RTKP	Recessed Toe Kick Peninsula
VTK	Void Toe Kick

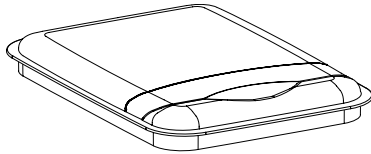
RBFC	3	15
code	width	depth

- ❖ Included as standard
- Available with an upcharge
- ☆ Available with exceptions
- (Blank) **Not** available

Material dimensions listed may vary slightly from actual dimensions of the product.

Specifications subject to change without notice.

Wastebasket Lid



Fits 35 qt. Wastebaskets

- WBL35.G** Grey
- WBL35.W** White

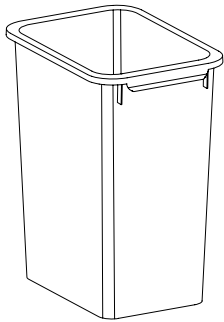
Fits 50 qt. Wastebaskets

- WBL50.G** Grey
- WBL50.W** White

- Lid flips open manually
- Lid holds can liner in place

PE
APC
APFC
FPEB
MI
CW
RD
CH
WR
RTKP
VTK

Replacement Wastebasket

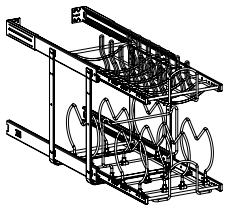


- RWB27** 27 qt. White
- RWB30** 30 qt. White
- RWB35** 35 qt. White
- RWB50** 50 qt. White
- RCWB50** 50 qt. Grey

- Field installation only
- Optional Wastebasket Lid (WBL) available for 35 and 50 qt. wastebaskets

PE
APC
APFC
FPEB
MI
CW
RD
CH
WR
RTKP
VTK

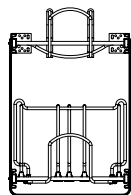
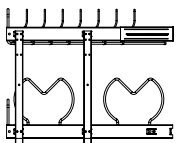
Tiered Pan and Lid Storage Pull-out Kit



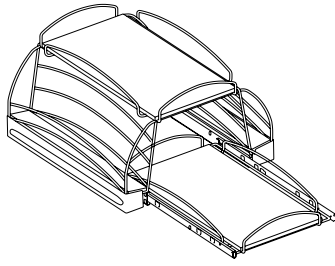
TPLSK15

- Fits into 15" wide 24" deep base full-height cabinets
- Overall unit height is 18"
- Chrome wire roll-out unit
- Pull-out unit is 11 5/8" wide
- Unit slides on full extension side-mount runners
- Bottom portion of pull-out has movable dividers and is adjustable to accommodate different pan sizes

PE
APC
APFC
FPEB
MI
CW
RD
CH
WR
RTKP
VTK



Base Cookware Storage Roll-out Field Installation



BCSRK24

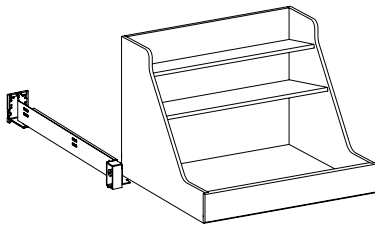
- Fits into 24" wide 24" deep base or base full-height cabinets
- Satin nickel heavy duty wire rack
- Both shelves roll out independently of unit on full extension runners
- Shelf bottoms are Birch veneer
- Top shelf is 11" x 21", bottom shelf is 12" x 21"
- Lower shelf has 9 1/2" clearance
- Side racks are 2 3/8" wide
- Field installation only

PE
APC
APFC
FPEB
MI
CW
RD
CH
WR
RTKP
VTK

Base Cookware Storage Roll-out Field Installation Chart

Cabinet	(Max) #BCSRKs
Base	2
Base•FH	3
Base•FH•40	3
Tall	5
Desk	1
Desk•FH	2
Vanity	2
Vanity•FH	3
VLC 88 1/2" H	3 (Top) 3 (Bottom)

Base Pots and Pans Organizer Roll-out Field Installation



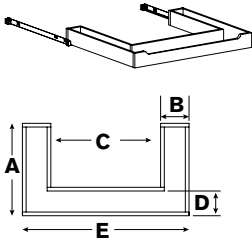
ROT30 .BPPSO ROT36 .BPPSO

- 4" high Roll-out Tray with integrated shelf system
- Roll-out sides and back are 3/4" wood veneer plywood; the shelves are 1/2" wood veneer plywood
- Includes full extension soft-close runners
- Mounting hardware and runners included
- 24" depth only
- Field installation only

PE
APC
APFC
FPEB
MI
CW
RD
CH
WR
RTKP
VTK

Base Pots and Pans Organizer Field Installation Chart

Cabinet	(Max) #•BPPSOs
Base	1
Base•FH	1
Base•FH•40	1
Tall	1
Desk	N/A
Desk•FH	N/A
Vanity	N/A
Vanity•FH	N/A
VLC 88 1/2" H	N/A



Sink Base U-Shaped Deluxe Roll-out Tray-Field Installation

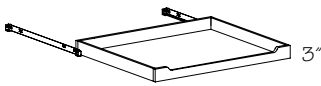
SBUDXR0T36
SBUDXR0T39
SBUDXR0T42

- Roll-out trays are 4" deep, 5/8" solid wood dovetailed sides with 3 1/6" plywood bottom, notched front and full extension runners with soft-close hinges

PE
APC
APFC
FPEB
MI
CW
RD
CH
WR
RTKP
VTK

Cabinet	Opening	A	B	C	D	E
SBUDXR0T36	33"	17 9/16"	5 5/16"	21 3/16"	4 1/8"	31 13/16"
SBUDXR0T39	36"	17 9/16"	5 5/16"	24 3/16"	4 1/8"	34 13/16"
SBUDXR0T42	39"	17 9/16"	5 5/16"	27 3/16"	4 1/8"	37 13/16"

Replacement Deluxe Rollout Trays for BDDC Cabinet

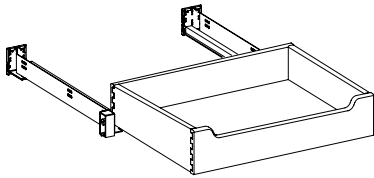


DXROT18.24.3
DXROT24.24.3
DXROT30.24.3
DXROT36.24.3
w/Reduced Depth (RD) option
DXROT18.21.3
DXROT24.21.3
DXROT30.21.3
DXROT36.21.3

- Replacement 3" deluxe rollout tray for BDDC cabinet
- Mounting hardware and runners included

PE
APC
APFC
FPEB
MI
CW
RD
CH
WR
RTKP
VTK

Sink Base Shallow Deluxe Roll-out Tray-Field Installation

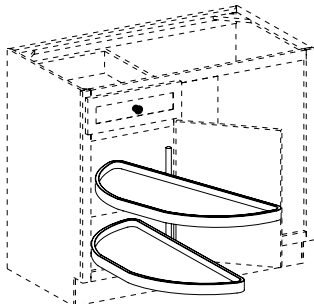


SBDXROT36 .21
SBDXROT39 .21
SBDXROT42 .21

- Tray is nominally 21" deep to allow clearance for plumbing

PE
APC
APFC
FPEB
MI
CW
RD
CH
WR
RTKP
VTK

Base Blind Corner Wood Lazy Susan Kit

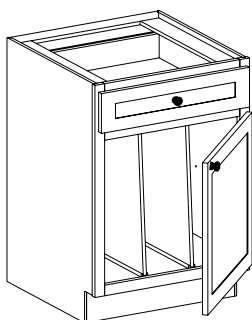


LSK42 R or L.WLS
LSK45 R or L.WLS
LSK48 R or L.WLS

- Specify R or L; R or L indicates blind
- Right blind shown
- Available for 42", 45" and 48" base blind cabinets
- Kit includes two half circle shelves that rotate out individually and mounting hardware
- Rotating shelves have plywood floor and solid wood trim
- Field installation only

PE
APC
APFC
FPEB
MI
CW
RD
CH
WR
RTKP
VTK

Tray Dividers–Base



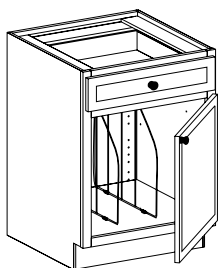
B24R-2TD shown

- 1TD
- 2TD
- 3TD
- 4TD
- 5TD
- 6TD

- 1/2" Natural Birch printed wood grain laminate
- Available factory installed for 24" deep cabinets only
- ☆ Depth **must** be modified after tray divider is selected
- Installed in wood or plastic U-channels
- Shelves are eliminated when this option is selected
- Specify quantity and location
- Order Example: B24R-2TD-RD18 (spaced evenly)
- **Not** available in 40 1/2" high Base cabinets

PE
APC
APFC
FPEB
MI
CW
☆ RD
CH
WR
RTKP
VTK

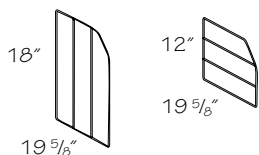
Wire Tray Divider Kit



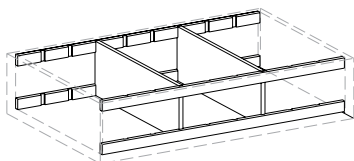
- WTDK12 12" high
- WTDK18 18" high

- Installation clips and screws included
- White epoxy coated wire
- Field installation only

PE
APC
APFC
FPEB
MI
CW
RD
CH
WR
RTKP
VTK



Adjustable Drawer Dividers



- * 1ADD
- 2ADD

Single Replacement Dividers Only

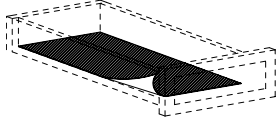
- ADDIV.7.12** 7" High 12" Deep Drawers
- ADDIV.7.15** 7" High 15" Deep Drawers
- ADDIV.7.18** 7" High 18" Deep Drawers
- ADDIV.7.21** 7" High 21" Deep Drawers
- ADDIV.7.24** 7" High 24" Deep Drawers
- ADDIV.10.21** 10" High 21" Deep Drawers
- ADDIV.10.24** 10" High 24" Deep Drawers
- ADDIV.11.21** 11" High 21" Deep Drawers
- ADDIV.11.24** 11" High 24" Deep Drawers

- Dividers are 1/2" thick and can be spaced approximately 3" apart
- Fits drawers of all 24"–42" Base cabinets
- For 24"–27" wide cabinets, two dividers supplied
- For 30"–42" wide cabinets, three dividers supplied
- Available factory installed only

PE
APC
APFC
FPEB
MI
CW
RD
CH
WR
RTKP
VTK

* Installed in bottom drawer of cabinets with 2 deep drawers

Non-slip drawer liner

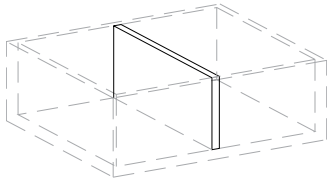


9" Wide NSDLK924	For B9	42" Wide NSDLK4224	for B42
12" Wide NSDLK1224	for B12	45" Wide 2-Drawer NSDLK2224	for B45
15" Wide NSDLK1524	for B15 & B30-2D	Deluxe Roll-out Trays, 12" Wide NSDLDXTK1224	for 12" wide 24" DXROT
18" Wide NSDLK1824	for B18 & B36-2D	Deluxe Roll-out Trays, 15" Wide NSDLDXTK1524	for 15" wide 24" DXROT
21" Wide NSDLK2124	for B21	Deluxe Roll-out Trays, 18" Wide NSDLDXTK1824	for 18" wide 24" DXROT
24" Wide NSDLK2424	for B24 & B48	Deluxe Roll-out Trays, 21" Wide NSDLDXTK2124	for 21" wide 24" DXROT
27" Wide NSDLK2724	for B27	Deluxe Roll-out Trays, 24" Wide NSDLDXTK2424	for 24" wide 24" DXROT
30" Wide NSDLK3024	for B30	Deluxe Roll-out Trays, 27" Wide NSDLDXTK2724	for 27" wide 24" DXROT
33" Wide NSDLK3324	for B33	Deluxe Roll-out Trays, 30" Wide NSDLDXTK3024	for 30" wide 24" DXROT
33" Wide 2-Drawer NSDLK1624	for B33	Deluxe Roll-out Trays, 33" Wide NSDLDXTK3324	for 33" wide 24" DXROT
36" Wide NSDLK3624	for B36	Deluxe Roll-out Trays, 36" Wide NSDLDXTK3624	for 36" wide 24" DXROT
39" Wide NSDLK3924	for B39	Field Trim NSDLR	Roll-60" wide - Field trim to fit
39" Wide 2-Drawer NSDLK1924	for B39		

PE
APC
APFC
FPEB
MI
CW
RD
CH
WR
RTKP
VTK

- Textured translucent lining to help prevent movement of items placed inside drawers
- Liners do **not** adhere to the drawer floor
- Available cut to size, see available options
- Also available as a roll (60" x 23 5/8")
- Field installation only
- For 24" deep cabinets only
- Liners sold individually

Drawer Partition

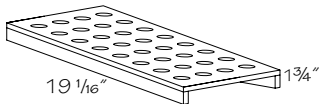
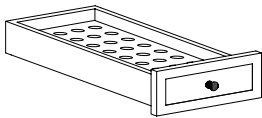


3/4" solid wood	
DP24 .4	4" high drawers
DP24 .7	7" high drawers
DP24 .10	10" High Drawers
3/4" plywood	
DP24 .11	11" high drawers

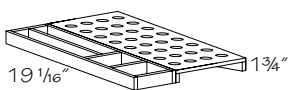
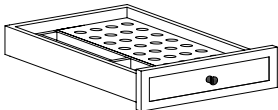
- Fits drawers from front to back
- Field installation only

PE
APC
APFC
FPEB
MI
CW
RD
CH
WR
RTKP
VTK

K-Cup® Drawer Organizer Kit-Field Installation



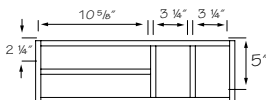
KCDOK15-KCDOK18



KCDOK21-KCDOK24

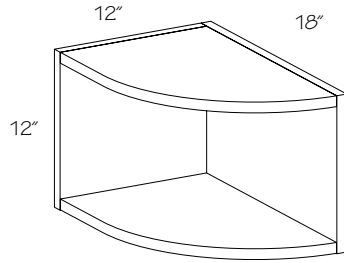
KCDOK15	32 K-Cups
KCDOK18	40 K-Cups
KCDOK21	32 K-Cups with 4 storage compartments
KCDOK24	40 K-Cups with 4 storage compartments

- Available for 24" deep cabinets only
- K-cup® is a registered trademark of Keurig Green Mountain, Inc.



PE
APC
APFC
FPEB
MI
CW
RD
CH
WR
RTKP
VTK

Sink Base Multi-Storage Shelf Kit

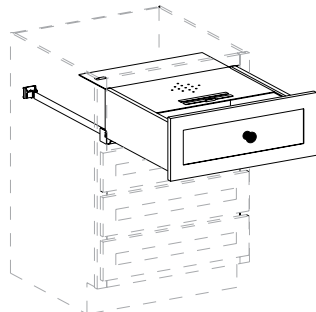


SBMSSK

- 3/4" Natural Birch plywood
- Installation instructions included
- Field installation only

PE
APC
APFC
FPEB
MI
CW
RD
CH
WR
RTKP
VTK

Sliding Bread Box Lid



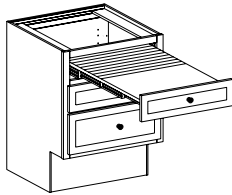
SBB

- Fits deep drawer of all 15"–24" base cabinets
- Textured acrylic lid
- Ventilated sliding top
- Order Example: BD18-SBB

BD cabinet with IF
(Inverted Frame) option shown

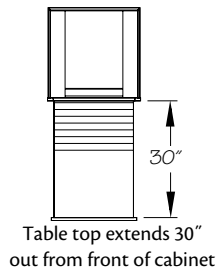
PE
APC
APFC
FPEB
MI
CW
RD
CH
WR
RTKP
VTK

Pull-out Table Kit

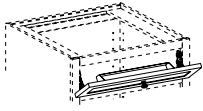


POTK24

- Fits into standard 24" wide base cabinet (21" wide drawer opening)
- Load capacity 160 lbs.
- **Must** be installed prior to installation of countertop
- Top constructed of laminated Maple melamine
- **Not** for use in any freestanding cabinet. **Must** be secured to floor or wall
- **Not** designed to be used as a cutting board



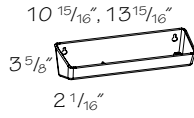
PE
APC
APFC
FPEB
MI
CW
RD
CH
WR
RTKP
VTK



Utensil Tray or Kit

Cabinet	Tray	Order for field installed kit
SBA36	1-11"	UTK18
SFC40	2-11"	UTK30
SFA36	1-11"	UTK18
SFA39-42	1-14"	UTK24
SB18	1-11"	UTK18
SB21-27	1-14"	UTK(cabinet width)
SB30	2-11"	UTK(cabinet width)
SB33-48	2-14"	UTK(cabinet width)

Installed
UT

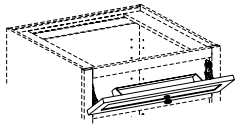


Kit

- UTK18**
- UTK21**
- UTK24**
- UTK27**
- UTK30**
- UTK33**
- UTK36**
- UTK39**
- UTK42**
- UTK45**
- UTK48**

- Almond high-impact polystyrene tray
- Kit includes all mounting hardware
- Tilts down for convenient access to small cleaning items, etc.
- Order Example:
Factory Installed—SB24-UT
Field Installed Kit—UTK 24
- **Note:** When ordering for field installation, be sure to specify the cabinet width

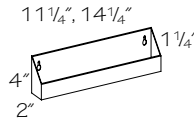
PE
APC
APFC
FPEB
MI
CW
RD
CH
WR
RTKP
VTK



Stainless Utensil Tray or Kit

Cabinet	Tray	Order for field installed kit
SBA36	1-11"	SUTK18
SFA36	1-11"	SUTK18
SFA39-42	1-14"	SUTK24
SB18	1-11"	SUTK18
SB21-27	1-14"	SUTK(cabinet width)
SB30	2-11"	SUTK(cabinet width)
SB33-48	2-14"	SUTK(cabinet width)

Installed
SUT

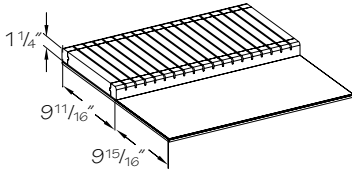


Kit

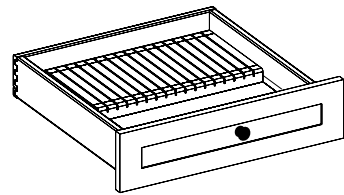
- SUTK18**
- SUTK21**
- SUTK24**
- SUTK27**
- SUTK30**
- SUTK33**
- SUTK36**
- SUTK39**
- SUTK42**
- SUTK45**
- SUTK48**

- Stainless steel tray
- Tilts down for convenient access to small cleaning items, etc.
- Kit includes all mounting hardware
- Order Example:
Factory Installed—SB18R-SUT
Field Installed Kit—SUTK 18
- **Note:** When ordering for field installation, be sure to specify the cabinet width

PE
APC
APFC
FPEB
MI
CW
RD
CH
WR
RTKP
VTK



Knife Section or Kit



Installed

- KS15**
- KS18**
- KS21**
- KS24**

knife slots

- 9
- 12
- 15
- 18

Kit

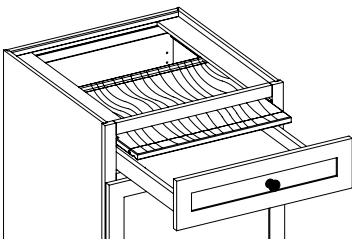
- KSK15**
- KSK18**
- KSK21**
- KSK24**

- 9
- 12
- 15
- 18

- Solid wood, slotted knife holder is 9 11/16" deep
- Cork pad protects drawer bottom, knife handles and edges
- Slots are 1/8" wide, spaced 1" apart

PE
APC
APFC
FPEB
MI
CW
RD
CH
WR
RTKP
VTK

Cutting Center or Kit



Installed

- CC15**
- CC18**
- CC21**
- CC24**

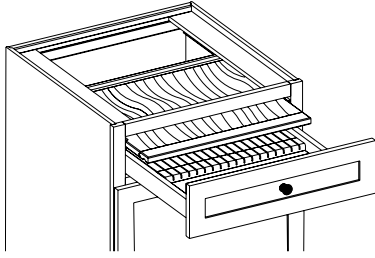
Kit

- CCK15**
- CCK18**
- CCK21**
- CCK24**

- 2 1/4" high drawer box with cutting board installed above
- Cutting board **must** be removed for use
- Order Example:
Factory Installed—B15L-CC15
Field Installed Kit—CCK15

PE
APC
APFC
FPEB
MI
CW
RD
CH
WR
RTKP
VTK

Knife Section Cutting Center or Kit

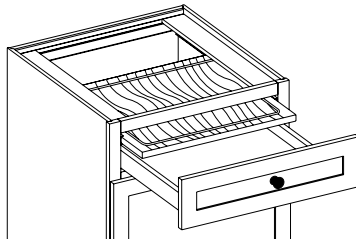


<i>Installed</i>	<i># knife slots</i>
KSCC15	9
KSCC18	12
KSCC21	15
KSCC24	18
<i>Kit</i>	<i># knife slots</i>
KSCCK15	9
KSCCK18	12
KSCCK21	15
KSCCK24	18

- 2 1/4" high drawer box with cutting board installed above
- Cutting board **must** be removed for use
- Has removable knife section installed in drawer
- Order Example:
Factory Installed—B15L-KSCC15
Field Installed Kit—KSCCK15

PE
APC
APFC
FPEB
MI
CW
RD
CH
WR
RTKP
VTK

Chopping Block or Kit

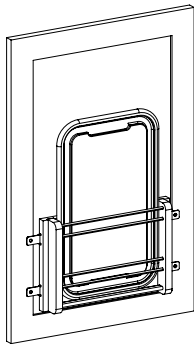


<i>Installed</i>
CHB18
CHB21
CHB24
<i>Kit</i>
CHBK18
CHBK21
CHBK24

- 2 1/4" high drawer box with 1 1/4" thick solid wood block installed above drawer box
- Chopping block **must** be removed for use
- **Cannot** be installed in one side of a double drawer (side by side) cabinet
- Order Example:
Factory Installed—B18L-CHB18
Field Installed Kit—CHBK18

PE
APC
APFC
FPEB
MI
CW
RD
CH
WR
RTKP
VTK

Cutting Board Door Rack Kit

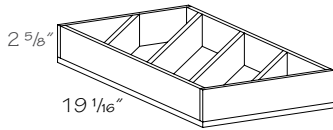


CBDMK18	Fits 18" doors - 9 3/4" x 15 3/4" cutting board
CBDMK21	Fits 21" doors - 13 3/4" x 15 3/4" cutting board
CBDMK24	Fits 24" doors - 13 3/4" x 15 3/4" cutting board

- Lightweight, high density polyethylene
- Able to be cleaned thoroughly, eliminating bacteria and odor
- Approved by FDA (Food and Drug Administration) ITEM 2.1 REG. #1CRF177.1520
- Approved by the National Sanitation Foundation No. 721
- **Cannot** be used with full-depth shelves or Roll-out Trays (ROT)
- Dishwasher safe up to 180° F
- Manufactured with high capacity juice grooves
- Non-abrasive; reduces the dulling of cutting blades
- Solid maple caddy with mounting sockets and screws

PE
APC
APFC
FPEB
MI
CW
RD
CH
WR
RTKP
VTK

Utensil Drawer Organizer - Angled - Field Install Kit

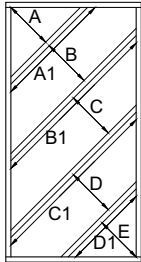


CDAK12
CDAK15
CDAK18
CDAK24

- For 24" deep cabinets only
- 3/8" thick solid wood dividers
- Unit is 2 9/16" high

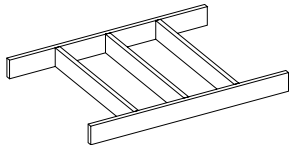
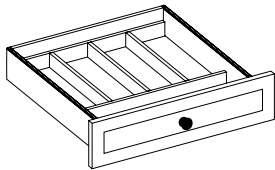
PE
APC
APFC
FPEB
MI
CW
RD
CH
WR
RTKP
VTK

Opening and Length Dimensions



	CDAK12	CDAK15	CDAK18	CDAK24
A	3 3/16"	3 1/8"	4"	4 7/8"
A1	7 3/16"	8"	8 11/16"	10 1/2"
B	3 3/16"	3 5/8"	3 11/16"	4 7/8"
B1	8 13/16"	13 1/16"	16 15/16"	21"
C	3 3/16"	3 5/8"	4 11/16"	4 7/8"
C1	8 13/16"	13 1/16"	16 15/16"	20 1/4"
D	3 3/16"	3 5/8"	3 11/16"	4 7/8"
D1	6 1/8"	7 1/16"	8"	9 3/4"
E	3 1/16"	3 9/16"	4"	4 7/8"

Cutlery Divider or Kit



Installed

CD12
CD15
CD18
CD21
CD24
CD27
CD30
CD33
CD36

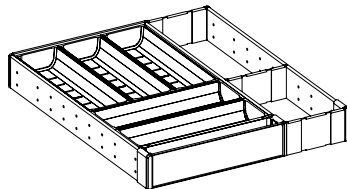
Kit

CDK12 2 sections
CDK15 3 sections
CDK18 3 sections
CDK21 4 sections
CDK24 4 sections
CDK27 5 sections
CDK30 5 sections
CDK33 6 sections
CDK36 7 sections

- 1/2" thick solid wood dividers 1 3/4" high
- Each section is 13" deep and approximately 3 7/8" wide
- Order Example:
 Factory Installed—BD15-CD15
 Field Installed Kit—CDK15

PE
APC
APFC
FPEB
MI
CW
RD
CH
WR
RTKP
VTK

Stainless Cutlery Divider



SCDK

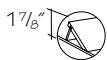
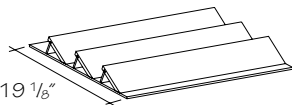
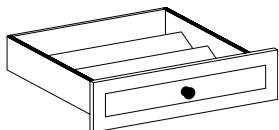
- Adjustable, spring-loaded side rails
- Five removable stainless steel trays
- Fits standard drawers in cabinets 21"-27" wide and 24" deep
- Field installation only



Decorative Hardware should be installed prior to installing a Stainless Cutlery Divider

PE
APC
APFC
FPEB
MI
CW
RD
CH
WR
RTKP
VTK

Spice Drawer Insert or Kit



Installed

- SDI12**
- SDI15**
- SDI18**
- SDI21**
- SDI24**
- SDI27**
- SDI30**
- SDI33**
- SDI36**

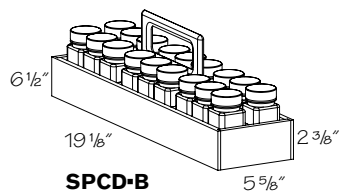
Kit

- SDIK12**
- SDIK15**
- SDIK18**
- SDIK21**
- SDIK24**
- SDIK27**
- SDIK30**
- SDIK33**
- SDIK36**

- Solid wood insert holds spice containers at an angle for easy identification and removal
- Order Example:
Factory Installed—B15R-SDI15
Field Installed Kit—SDIK15

PE
APC
APFC
FPEB
MI
CW
RD
CH
WR
RTKP
VTK

Spice Caddy



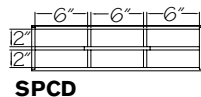
SPCD-B

With Bottles

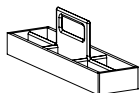
SPCD .B

Without Bottles

SPCD



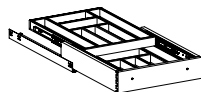
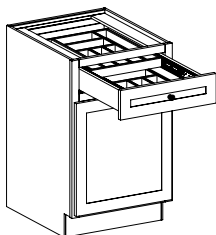
SPCD



- Supplied with 18 spice bottles
- Spice bottles measure 1 3/4" x 1 3/4" x 4", 4 oz. capacity, clear glass
- Satin metal lids
- Use SPBTL for replacement spice bottles

PE
APC
APFC
FPEB
MI
CW
RD
CH
WR
RTKP
VTK

Wood Tiered Drawer Storage or Kit



Installed

- WTCD15**
- WTCD18**
- WTCD21**
- WTCD24**
- WTCD27**
- WTCD30**

Upper/Lower Sections

- 5/5
- 6/6
- 7/7
- 8/8
- 8/8
- 9/9

Kit

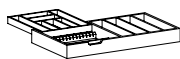
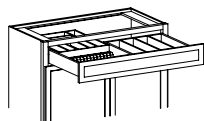
- WTC DK15**
- WTC DK18**
- WTC DK21**
- WTC DK24**
- WTC DK27**
- WTC DK30**

- 5/5
- 6/6
- 7/7
- 8/8
- 8/8
- 9/9

- Sliding top tray
- Available factory installed for 24" deep cabinets only
- Order Example:
Factory Installed—BD15-WTCD15
Field Installed Kit—WTC DK15

PE
APC
APFC
FPEB
MI
CW
RD
CH
WR
RTKP
VTK

Wood Tiered Drawer Storage Combination or Kit



Installed

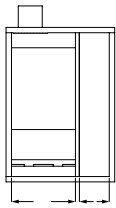
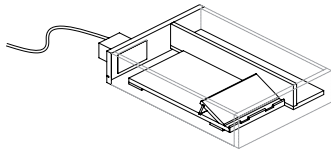
- WTDC30**
- WTDC36**

Kit

- WTC DK30**
- WTC DK36**

- WTDC30 or WTC DK30:
Lower left tiered section: Knife organizer (holds 12 knives), two storage compartments
Upper Left tiered section: Four divided storage compartments, one long storage compartment
Right section (*not* tiered):
Three long storage compartments
- WTDC36 or WTC DK36:
Lower left tiered section: Knife organizer (holds 15 knives), two storage compartments
Upper Left tiered section: Five divided storage compartments, one long storage compartment
Right section (*not* tiered):
Four long storage compartments
- Available for 24" deep cabinets only

PE
APC
APFC
FPEB
MI
CW
RD
CH
WR
RTKP
VTK



8 1/2" 4"
11 1/2"
14 1/2"

Charging Drawer

Installed*
CGD18
CGD21
CGD24

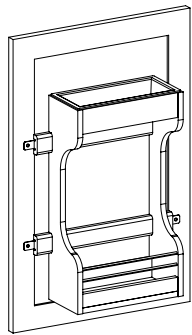
Kit
18" Cabinet
RBKCGD18 (drawer box)
CGD18.DI (drawer insert)
CGD.OL (outlet)

21" Cabinet
RBKCGD21 (drawer box)
CGD21.DI (drawer insert)
CGD.OL (outlet)

24" Cabinet
RBKCGD24 (drawer box)
CGD24.DI (drawer insert)
CGD.OL (outlet)

- Solid wood drawer box
- One three-prong and Two USB outlets; cord length for outlet is 6 ft.
- Drawer box prepared for Outlet-Insert
- Requires separate power source in the back of the cabinet
- Installed: Outlet and drawer inserts shipped separately*
- Kits: Order one of each item to complete kit. Each component will ship separately
- Order Example:
Factory Installed—BD18-CGD18
Field Installed Kit—RBKCGD18, CGD18.DI, CGD.OL

PE
APC
APFC
FPEB
MI
CW
RD
CH
WR
RTKP
VTK



Sink Base Door Storage Unit or Kit

Installed
SBDSU30 R or L
SBDSU33 R or L
SBDSU36 R or L
SBDSU39 R or L
SBDSU42 R or L

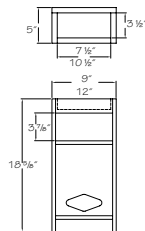
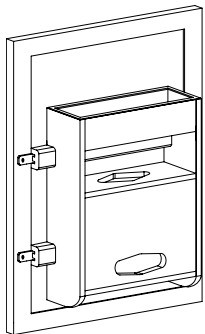
also fits SB18
also fits SB21

Kit
SBDSUK30
SBDSUK33
SBDSUK36
SBDSUK39
SBDSUK42

also fits SB18
also fits SB21

- Specify R or L
- Solid wood
- Two fixed shelves, 4" deep
- Kit includes all mounting hardware
- Rack is 5" deep

PE
APC
APFC
FPEB
MI
CW
RD
CH
WR
RTKP
VTK



Sink Base Plastic Bag Door Storage Unit or Kit

Installed
SBPBS30 R or L
SBPBS33 R or L
SBPBS36 R or L
SBPBS39 R or L

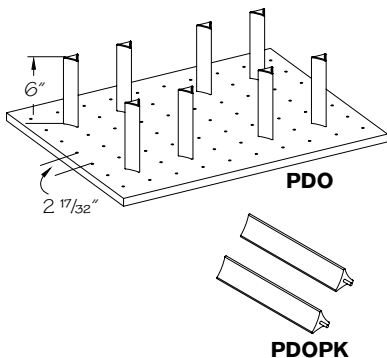
also fits SB18

Kit
SBPBSK30
SBPBSK33
SBPBSK36
SBPBSK39

also fits SB18

- Specify R or L
- Solid wood and plywood construction
- Kit includes all mounting hardware
- Rack is 5" deep
- Removable, almond plastic tray lines upper shelf
- Bag storage box features two openings to insert and remove plastic bags

PE
APC
APFC
FPEB
MI
CW
RD
CH
WR
RTKP
VTK

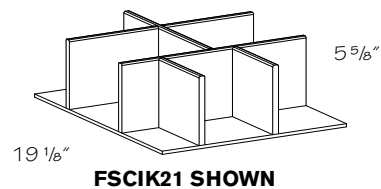


Pegged Drawer Organizer

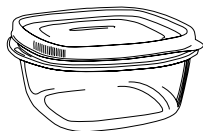
Kit
PDO24 Six pegs
PDO27 Six pegs
PDO30 Eight pegs
PDO33 Eight pegs
PDO36 Ten pegs
PDO42 Ten pegs
Pack-Additional pegs
PDOPK Two pegs

- Natural plywood floor
- Sized to fit 24" deep drawers
- Fits 7" and 11" high drawers
- Trimmable
- Shipped separately

PE
APC
APFC
FPEB
MI
CW
RD
CH
WR
RTKP
VTK



FSCIK21 SHOWN



Multi-Sized Deep Drawer Organizer w/Food Storage and Multi-Sized Deep Drawer Organizer

Organizer w/Food Storage

FSCIK18

FSCIK21

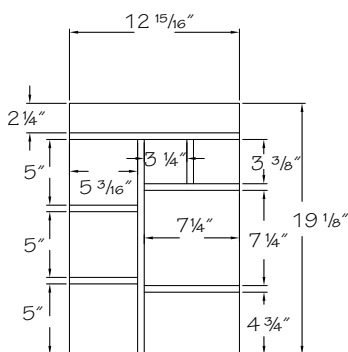
Deep Drawer Organizer

FSC118

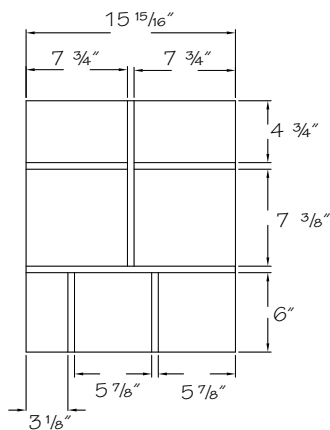
FSC121

- FSCIK18 is for use with 18" wide deep drawer (Example: BD18, BD18.3)
- FSCIK21 is for use with 21" wide deep drawer (Example: BD21, BD21.3)
- Containers are **not** covered under limited lifetime warranty

PE
APC
APFC
FPEB
MI
CW
RD
CH
WR
RTKP
VTK



FSCIK18

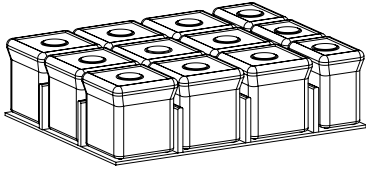


FSCIK21

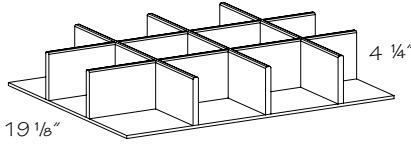
Food Container Size (Includes Lids)

FSCIK18 Qty.	FSCIK21 Qty.	Container Cup Size
4	8	1/2
5	7	1 1/4
4	5	2
1	4	3
2	3	5
1	2	7

Deep Drawer Organizer w/Canister Storage and Deep Drawer Organizer w/Tall Canister Storage



DCSK30 SHOWN



DCSK30 SHOWN

	A	B	C	D
1				
2				
3				

Canister Storage

- DCSK12** 3-9 liter containers -6.2" High
- DCSK15** 6-1.4 liter containers -6.2" High
- DCSK18** 6-2.3 liter containers -6.2" High
- DCSK21** 6-1.4 and 3-2.3 liter containers -6.2" High
- DCSK24** 3-1.4 and 6-2.3 liter containers -6.2" High
- DCSK27** 6-1.4 and 6-2.3 liter containers -6.2" High
- DCSK30** 3-1.4 and 9-2.3 liter containers -6.2" High

Tall Canister Storage

- DTCCK12** 3-9 liter containers -9.3" High
- DTCCK15** 6-1.4 liter containers -9.3" High
- DTCCK18** 6-2.3 liter containers -9.3" High
- DTCCK21** 6-1.4 and 3-2.3 liter containers -9.3" High
- DTCCK24** 3-1.4 and 6-2.3 liter containers -9.3" High
- DTCCK27** 6-1.4 and 6-2.3 liter containers -9.3" High
- DTCCK30** 3-1.4 and 9-2.3 liter containers -9.3" High

Contains:

- Deep Drawer Organizer w/Canister Storage (DCSK) are designed to fit into 7" high drawer boxes in cabinets that are 12", 15", 18", 21", 24", 27", and 30" wide
- Deep Drawer Organizer w/Tall Canister Storage (DTCCK) are designed to fit into 10" high drawer boxes in cabinets that are 12", 15", 18", 21", 24", 27", and 30" wide
- 1 liter is equal to 1.06 quarts
- Containers have an air tight seal
- Containers are **not** covered under limited lifetime warranty

PE
APC
APFC
FPEB
MI
CW
RD
CH
WR
RTKP
VTK

DCSK12

	A	B	C	D
1	6 15/16" X 6 1/16"			
2	6 15/16" X 6 1/16"			
3	6 15/16" X 6 1/16"			

DCSK15

	A	B	C	D
1	4 3/4" X 6 1/16"	4 3/4" X 6 1/16"		
2	4 3/4" X 6 1/16"	4 3/4" X 6 1/16"		
3	4 3/4" X 6 1/16"	4 3/4" X 6 1/16"		

DCSK18

	A	B	C	D
1	6 1/4" X 6 1/16"	6 1/4" X 6 1/16"		
2	6 1/4" X 6 1/16"	6 1/4" X 6 1/16"		
3	6 1/4" X 6 1/16"	6 1/4" X 6 1/16"		

DCSK21

	A	B	C	D
1	4 1/4" X 6 1/16"	4 1/4" X 6 1/16"	6 1/2" X 6 1/16"	
2	6 1/2" X 6 1/16"	4 1/4" X 6 1/16"	4 1/4" X 6 1/16"	
3	4 1/4" X 6 1/16"	4 1/4" X 6 1/16"	6 1/2" X 6 1/16"	

DCSK24

	A	B	C	D
1	6" X 6 1/16"	6" X 6 1/16"	6" X 6 1/16"	
2	6" X 6 1/16"	6" X 6 1/16"	6" X 6 1/16"	
3	6" X 6 1/16"	6" X 6 1/16"	6" X 6 1/16"	

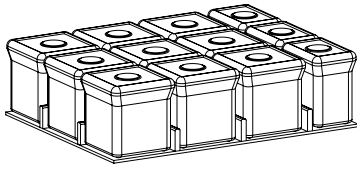
DCSK27

	A	B	C	D
1	4 1/8" X 6 1/16"	6 1/8" X 6 1/16"	4 1/8" X 6 1/16"	6 1/8" X 6 1/16"
2	4 1/8" X 6 1/16"	6 1/8" X 6 1/16"	4 1/8" X 6 1/16"	6 1/8" X 6 1/16"
3	4 1/8" X 6 1/16"	6 1/8" X 6 1/16"	4 1/8" X 6 1/16"	6 1/8" X 6 1/16"

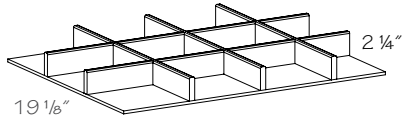
DCSK30

	A	B	C	D
1	6 1/4" X 6 1/16"	6 1/4" X 6 1/16"	6 1/4" X 6 1/16"	6 1/4" X 6 1/16"
2	6 1/4" X 6 1/16"	6 1/4" X 6 1/16"	6 1/4" X 6 1/16"	6 1/4" X 6 1/16"
3	6 1/4" X 6 1/16"	6 1/4" X 6 1/16"	6 1/4" X 6 1/16"	6 1/4" X 6 1/16"

Roll-Out Tray Organizer w/Canisters and Roll-Out Tray Organizer w/Tall Canisters



RCSK30 SHOWN



RTCSK30 SHOWN

	A	B	C	D
1				
2				
3				

Canister Storage

- RCSK12** 3-1.4 liter containers -6.2" High
- RCSK15** 6-2.3 liter containers -6.2" High
- RCSK18** 3-2.3 and 3-3.8 liter containers -6.2" High
- RCSK21** 6-2.3 and 3-3.8 liter containers -6.2" High
- RCSK24** 3-2.3 and 6-3.8 liter containers -6.2" High
- RCSK27** 6-2.3 and 6-3.8 liter containers -6.2" High
- RCSK30** 3-2.3 and 9-3.8 liter containers -6.2" High

Tall Canister Storage

- RTCSK12** 3-1.4 liter containers -9.3" High
- RTCSK15** 6-2.3 liter containers -9.3" High
- RTCSK18** 3-2.3 and 3-3.8 liter containers -9.3" High
- RTCSK21** 6-2.3 and 3-3.8 liter containers -9.3" High
- RTCSK24** 3-2.3 and 6-3.8 liter containers -9.3" High
- RTCSK27** 6-2.3 and 6-3.8 liter containers -9.3" High
- RTCSK30** 3-2.3 and 9-3.8 liter containers -9.3" High

Contains:

- Deluxe Rollout Container Storage Kits are designed for Deluxe Rollouts in cabinets that are 12", 15", 18", 21", 24", 27", and 30" wide
- 1 liter is equal to 1.06 quarts
- Containers have an air tight seal
- Containers are **not** covered under limited lifetime warranty
- **Note:** Tall Canisters will **not** fit into both trays of Base cabinets with .2DXFWT. Tray height adjustments will be required on these cabinets for Tall Canisters to fit into a single tray

PE
APC
APFC
FPEB
MI
CW
RD
CH
WR
RTKP
VTK

RCSK12

	A	B	C	D
1	6 7/16" X 6 1/16"			
2	6 7/16" X 6 1/16"			
3	6 7/16" X 6 1/16"			

RCSK15

	A	B	C	D
1	4 1/2" X 6 1/16"	4 1/2" X 6 1/16"		
2	4 1/2" X 6 1/16"	4 1/2" X 6 1/16"		
3	4 1/2" X 6 1/16"	4 1/2" X 6 1/16"		

RCSK18

	A	B	C	D
1	6 7/8" X 6 1/16"	5 1/16" X 6 1/16"		
2	6 7/8" X 6 1/16"	5 1/16" X 6 1/16"		
3	6 7/8" X 6 1/16"	5 1/16" X 6 1/16"		

RCSK21

	A	B	C	D
1	4 5/16" X 6 1/16"	5 7/8" X 6 1/16"	4 5/16" X 6 1/16"	
2	4 5/16" X 6 1/16"	5 7/8" X 6 1/16"	4 5/16" X 6 1/16"	
3	4 5/16" X 6 1/16"	5 7/8" X 6 1/16"	4 5/16" X 6 1/16"	

RCSK24

	A	B	C	D
1	6 3/8" X 6 1/16"	4 11/16" X 6 1/16"	6 3/8" X 6 1/16"	
2	6 3/8" X 6 1/16"	4 11/16" X 6 1/16"	6 3/8" X 6 1/16"	
3	6 3/8" X 6 1/16"	4 11/16" X 6 1/16"	6 3/8" X 6 1/16"	

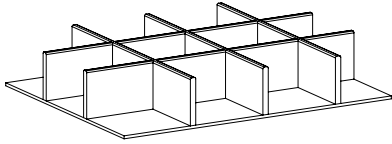
RCSK27

	A	B	C	D
1	4" X 6 1/16"	5 15/16" X 6 1/16"	4" X 6 1/16"	5 15/16" X 6 1/16"
2	4" X 6 1/16"	5 15/16" X 6 1/16"	4" X 6 1/16"	5 15/16" X 6 1/16"
3	4" X 6 1/16"	5 15/16" X 6 1/16"	4" X 6 1/16"	5 15/16" X 6 1/16"

RCSK30

	A	B	C	D
1	6 3/16" X 6 1/16"	6 3/16" X 6 1/16"	6 3/16" X 6 1/16"	6 3/16" X 6 1/16"
2	6 3/16" X 6 1/16"	6 3/16" X 6 1/16"	6 3/16" X 6 1/16"	6 3/16" X 6 1/16"
3	6 3/16" X 6 1/16"	6 3/16" X 6 1/16"	6 3/16" X 6 1/16"	6 3/16" X 6 1/16"

Deep Drawer Organizer

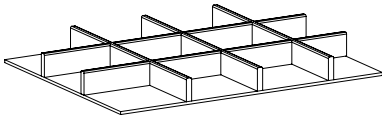


DCDK12
DCDK15
DCDK18
DCDK21
DCDK24
DCDK27
DCDK30

- Fits 6.2" and 9.3" high containers

PE
APC
APFC
FPEB
MI
CW
RD
CH
WR
RTKP
VTK

Roll-Out Tray Organizer

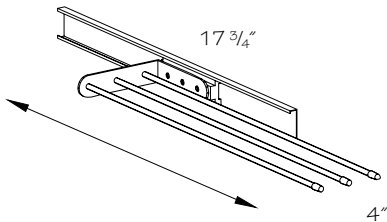


RCDK12
RCDK15
RCDK18
RCDK21
RCDK24
RCDK27
RCDK30

- Fits 6.2" and 9.3" high containers

PE
APC
APFC
FPEB
MI
CW
RD
CH
WR
RTKP
VTK

Sliding Towel Bar

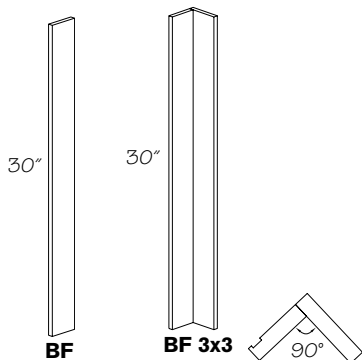


STB

- Mounts to cabinet end panel
- Pulls-out 8 3/4" for easy access
- Three satin finish chrome towel bars
- Field installation only

PE
APC
APFC
FPEB
MI
CW
RD
CH
WR
RTKP
VTK

Base Filler

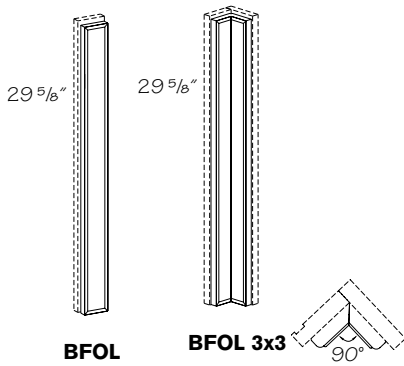


BF3
BF6
BF3X3

- 3/4" thick solid wood
- Finished one side only
- Crafted or Quartersawn door styles will be supplied in plain sawn wood
- Painted or Stained hardwood supplied for Wood-Grain Foil door styles
- Painted hardwood supplied for EverCore® and Thermofoil
- No toe kick

PE
APC
APFC
FPEB
MI
CW
RD
CH
WR
RTKP
VTK

Base Filler Overlay



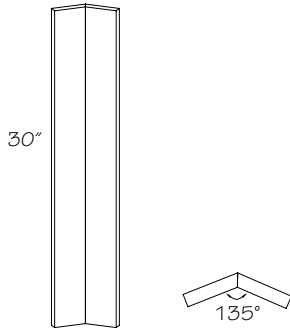
BFOL3
BFOL6
▲ BFOL3X3

▲ Shipped as two pieces in Thermofoil and Wood-Grain Foil door styles. **Must** be field trimmed and mitered

- Available in full overlay door styles only
- Available in High-Gloss Foils finish except in 3X3 models
- Filler ordered separately
- Filler overlay has routed door profile and is made from the same material as doors and drawer fronts

PE
APC
APFC
FPEB
MI
CW
RD
CH
WR
RTKP
VTK

Base Inside Corner Angle Filler

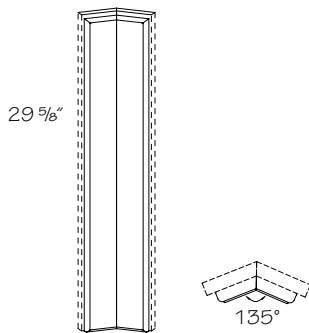


ICAF30

- 3/4" thick solid wood
- Crafted or Quartersawn door styles will be supplied in plain sawn wood
- Finished one side only
- Shipped in one piece
- **Not** available in Thermofoil door styles
- Painted hardwood supplied for EverCore®
- Painted or Stained hardwood supplied for Wood-Grain Foil door styles

PE
APC
APFC
FPEB
MI
CW
RD
CH
WR
RTKP
VTK

Base Inside Corner Angle Filler Overlay

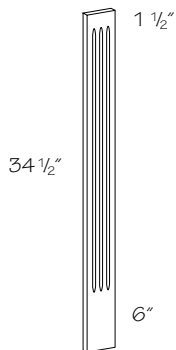


ICAFOL30

- 3/4" thick solid wood
- Available in full overlay door styles only
- Filler overlay has routed door profile and is made from the same material as doors and drawer fronts
- Filler ordered separately
- Quartersawn Oak door styles are 3/4" quartersawn wood with matching door profile on all sides. Quartersawn Cherry and Maple door styles are quartersawn wood veneer
- Shipped as two pieces
- **Not** available in Thermofoil door styles

PE
APC
APFC
FPEB
MI
CW
RD
CH
WR
RTKP
VTK

Base Fluted Filler

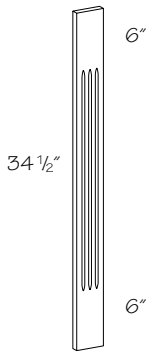


BFF3
BFF6

- 3/4" thick solid wood
- Quartersawn door styles are supplied plain sawn
- Painted or Stained hardwood supplied for Wood-Grain Foil door styles
- Painted hardwood supplied for EverCore® and Thermofoil

PE
APC
APFC
FPEB
MI
CW
RD
CH
WR
RTKP
VTK

Plain Capital Base Fluted Filler

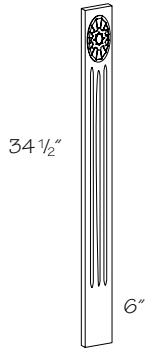


PCBFF3
PCBFF6

- 3/4" thick solid wood
- Quartersawn door styles are supplied plain sawn
- Painted or Stained hardwood supplied for Wood-Grain Foil door styles
- Painted hardwood supplied for EverCore® and Thermofoil

PE
APC
APFC
FPEB
MI
CW
RD
CH
WR
RTKP
VTK

Rosette Base Fluted Filler

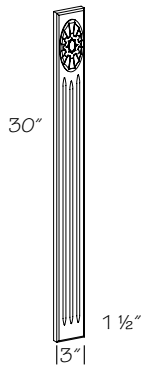


RBFF3

- 3/4" thick solid wood
- Applied decorative rosette
- **Not** available in Rustic Alder door styles
- **Not** available in Wood-Grain Foil door styles
- Quartersawn door styles are supplied plain sawn
- Painted hardwood supplied for EverCore® and Thermofoil

PE
APC
APFC
FPEB
MI
CW
RD
CH
WR
RTKP
VTK

Rosette Base Fluted Filler Overlay

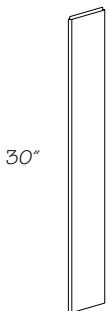


RFBFOL3

- 3/4" thick solid wood
- Applied decorative rosette
- **Not** available in Rustic Alder door styles
- **Not** available in Wood-Grain Foil door styles
- Quartersawn door styles are supplied plain sawn
- Painted hardwood supplied for EverCore® and Thermofoil

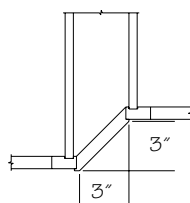
PE
APC
APFC
FPEB
MI
CW
RD
CH
WR
RTKP
VTK

Filler Extension



Filler Extension

FE3.30

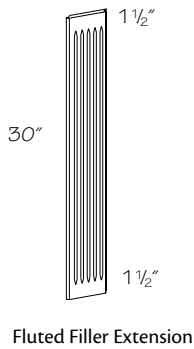


Filler Extension Application

- 3/4" thick solid wood
- Crafted or Quartersawn door styles will be supplied in plain sawn wood
- Painted or Stained hardwood supplied for Wood-Grain Foil door styles
- Painted hardwood supplied for EverCore® and Thermofoil

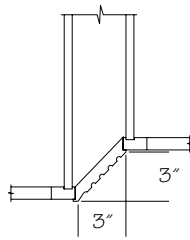
PE
APC
APFC
FPEB
MI
CW
RD
CH
WR
RTKP
VTK

Fluted Filler Extension



Fluted Filler Extension

FFE3.30

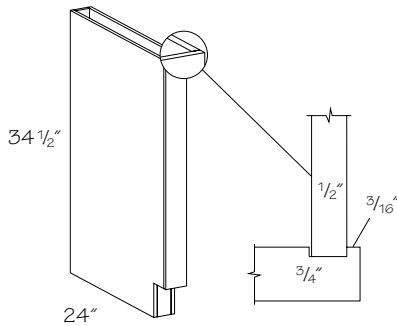


Filler Extension Application

- 3/4" thick solid wood
- Painted or Stained hardwood supplied for Wood-Grain Foil door styles
- Quartersawn door styles are supplied plain sawn
- Painted hardwood supplied for EverCore® and Thermofoil

PE
APC
APFC
FPEB
MI
CW
RD
CH
WR
RTKP
VTK

Base Box

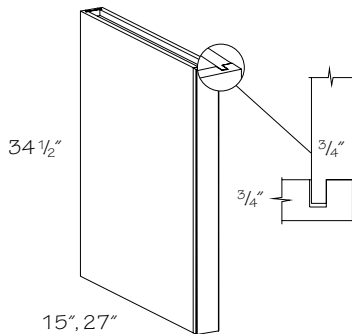


BB3

- Finished front and both sides
- Crafted or Quartersawn door styles will be supplied in plain sawn wood
- Painted hardwood supplied for EverCore®
- Painted or Stained hardwood supplied for Wood-Grain Foil door styles
- Reversible, may be used on either right or left end
- ☆ Only available with Recessed Toe Kick Peninsula Back (RTKP); **cannot** accommodate Recessed Toe Kick for sides (RTKPB, RTKPL, RTKPR)

● PE
● APC
● APFC
● FPEB
● MI
● CW
● RD
● CH
● WR
☆ RTKP
● VTK

Base Column



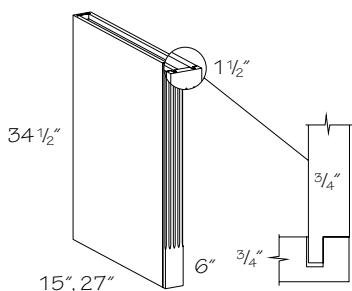
- BC315
- BC615
- BC327
- BC627

○ Change Width (CW) option **not** available

- Front is 3/4" solid wood
- Quartersawn Oak door styles have 3/4" solid quartersawn wood front and quartersawn wood veneer end panels
- Painted hardwood supplied for EverCore®
- Foil-wrapped MDF supplied for Wood-Grain Foil door styles on face frame only
- Plain sawn material supplied for Bristow Crafted door styles
- Finished front and both sides
- Reversible, may be used on either right or left end
- ☆ APFC standard when APC option is selected

PE
● APC
☆ APFC
❖ FPEB
MI
☆ CW
● RD
● CH
❖ WR
RTKP
VTK

Base Fluted Column

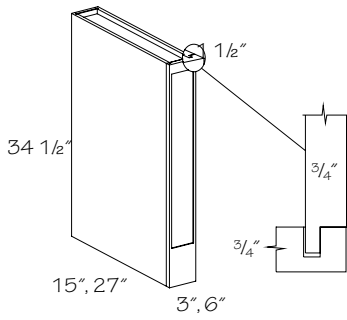


BFC315 BFC327

- Fluted front is 3/4" solid wood; plain sawn wood supplied for quartersawn door styles
- Finished front and both sides
- Quartersawn Oak door styles have quartersawn wood veneer end panels
- Painted hardwood supplied for EverCore®
- Painted or Stained hardwood supplied for Wood-Grain Foil door styles
- Plain sawn material supplied for Bristow Crafted door styles
- Reversible, may be used on either right or left end
- ☆ APFC standard when APC option is selected

PE
● APC
☆ APFC
❖ FPEB
MI
CW
● RD
● CH
❖ WR
RTKP
VTK

Sterling Base Column

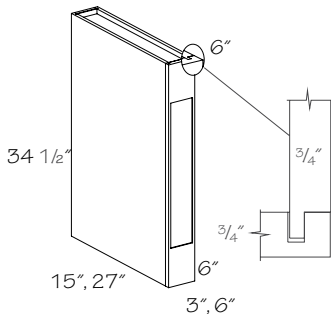


STBC315
STBC615
STBC327
STBC627

- Front is 3/4" solid wood
 - Finished front and both sides
 - Available in Cherry, EverCore®, Maple and Wood-Grain Foil door styles only
 - Painted hardwood supplied for EverCore®
 - Painted hardwood supplied for Wood-Grain Foil door styles; only available in white
 - Reversible, may be used on either right or left end
- ☆ APFC standard when APC option is selected

PE
● APC
☆ APFC
❖ FPFB
MI
CW
● RD
● CH
❖ WR
RTKP
VTK

Plain Capital Sterling Base Column

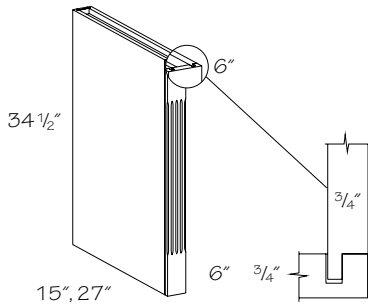


PCSTBC315
PCSTBC615
PCSTBC327
PCSTBC627

- Front is 3/4" solid wood
 - Finished front and both sides
 - Available in Cherry, EverCore®, Maple, Rustic Alder and Wood-Grain Foil door styles only
 - Painted hardwood supplied for EverCore®
 - Painted hardwood supplied for Wood-Grain Foil door styles; only available in white
 - Reversible, may be used on either right or left end
- ☆ APFC standard when APC option is selected

PE
● APC
☆ APFC
❖ FPFB
MI
CW
● RD
● CH
❖ WR
RTKP
VTK

Plain Capital Base Fluted Column

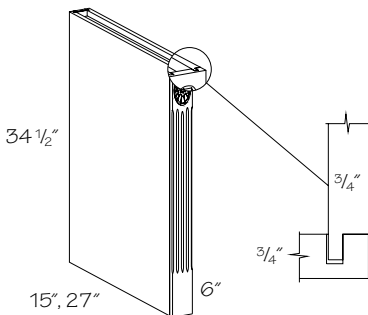


PCBFC315
PCBFC327

- Fluted front is 3/4" solid wood; plain sawn wood supplied for quartersawn door styles
 - Quartersawn Oak door styles have quartersawn wood veneer end panels
 - Painted hardwood supplied for EverCore®
 - Painted or Stained hardwood supplied for Wood-Grain Foil door styles
 - Plain sawn material supplied for Bristow Crafted door styles
 - Finished front and both sides
 - Reversible, may be used on either right or left end
- ☆ APFC standard when APC option is selected

PE
● APC
☆ APFC
❖ FPFB
MI
CW
● RD
● CH
❖ WR
RTKP
VTK

Rosette Base Fluted Column

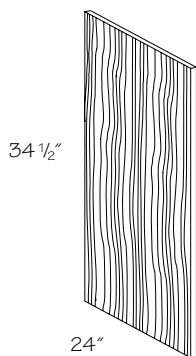


RBFC315
RBFC327

- Fluted front is 3/4" solid wood; plain sawn wood supplied for quartersawn door styles
 - Applied decorative rosette
 - Quartersawn Oak door styles have quartersawn wood veneer end panels
 - Finished front and both sides
 - Reversible, may be used on either right or left end
 - Plain sawn material supplied for Bristow Crafted door styles
 - **Not** available in Rustic Alder door styles
 - **Not** available in Wood-Grain Foil door styles
 - Painted hardwood supplied for EverCore® and Thermofoil
- ☆ APFC standard when APC option is selected

PE
● APC
☆ APFC
❖ FPFB
MI
CW
● RD
● CH
❖ WR
RTKP
VTK

Base End Panel

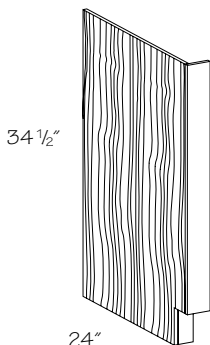


- Laminate*
- **VBEP** 24" x 34 1/2" x 3/4"
- Wood Veneer*
- ※ **WBEP** 24" x 34 1/2" x 13/16"
 - Quartersawn door styles are supplied plain sawn
 - ※ Thermofoils are painted hardwood

- Edgembanded one long edge
- Finished to match exterior both sides
- ☆ APC panel only available in wood veneer
- ☆ APC panel is 11/16" thick

PE
☆ APC
APFC
FPEB
MI
CW
RD
● CH
WR
RTKP
VTK

Base End Panel w/Stile

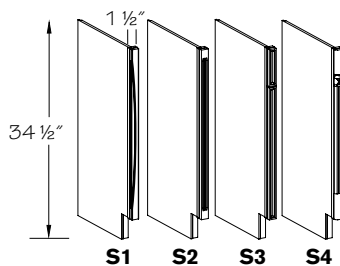


- **BEP 1 1/2 R or L**
- **BEP3 R or L**
- **BEP6 R or L**
- Change Width (CW) option *not* available

- Specify R or L
- Exterior finished to match, interior is Natural Birch printed wood grain laminate and machined to match a cabinet end panel
- Left shown
- Crafted or Quartersawn door styles will be supplied in plain sawn wood
- Painted hardwood supplied for EverCore®

● PE
● APC
● APFC
● FPEB
● MI
☆ CW
● RD
● CH
● WR
RTKP
● VTK

Decorative Accent End Panel

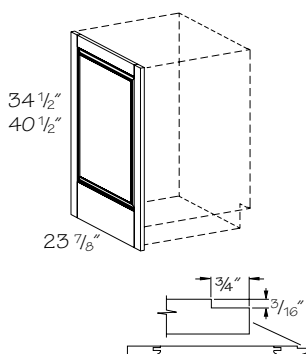


- **DEP2434 R or L.S1**
- **DEP2434 R or L.S2**
- **DEP2434 R or L.S3**
- **DEP2434 R or L.S4**
- ※ *Not* available in Rustic Alder door styles

- Specify R or L
- Available in Alder, Cherry, EverCore® and Maple full overlay door styles only
- Painted hardwood supplied for EverCore®
- Applied decorative accent mounted toward end panel
- End panel is trimmable

PE
● APC
● APFC
❖ FPEB
● MI
CW
● RD
CH
WR
RTKP
VTK

Matching Base End Panel



- 34 1/2" High
- **MBEP R or L**
- 40 1/2" High
- **MBEP40 .R or L**
- Peninsula*
- **PMBEP**
 - *Not* available in Wood-Grain Foil door styles

- Specify R or L
- 3/4" thick panel with matching door edge profile on front edge only
- Peninsula panel has routed door profile front and back
- Epic and Foil door styles do *not* have grooves and will *not* fit flush against 1/2" end panel. A 3/16" shim is recommended
- Foil and slab door styles do *not* have grooves and will *not* fit flush against 1/2" end panel. A 3/16" shim is recommended
- Inside of matching panel bottom rail will line up with inside bottom rail of door
- Left shown
- Field installation only
- *Not* available in mitered or Carlin door styles; use End Panel-Mitered
- *Not* available in High-Gloss Foil door styles
- ☆ Wide Bottom Rail—field notch for toe kick

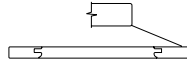
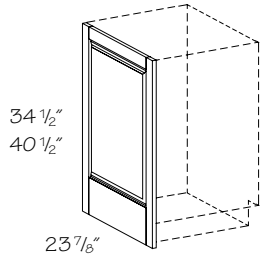
PE
APC
APFC
FPEB
MI
● CW
RD
● CH
☆ WR
RTKP
VTK

Standard edge detail—fits flush against 1/2" end panel and behind face frame



When designing with Matching End Panels the reveal will differ from the cabinet door height reveal. Matching End Panels cover the entire side of the cabinet. See drawing for exact measurements

Matching Base End Panel—Square Edges



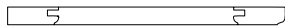
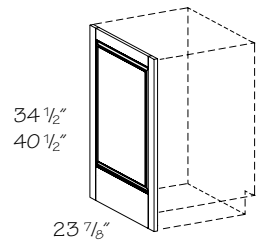
Will not fit flush against 1/2" end panel, a 3/16" shim is recommended

34 1/2" High
MBEP .S
40 1/2" High
MBEP40 .S

- 3/4" thick panel with square edge front and back
- Inside of matching panel bottom rail will line up with inside bottom rail of door
- Reversible, may be used on either right or left end
- Field installation only
- No frame recess dado
- **Not** available in High-Gloss Foil, Thermofoil or Wood-Grain Foil door styles
- **Not** available in mitered door styles; use End Panel—Mitered
- ☆ Wide Bottom Rail—field notch for toe kick

PE
APC
APFC
FPEB
MI
● CW
RD
● CH
☆ WR
RTKP
VTK

Furniture Matching Base End Panel



Standard edge detail—fits flush against 1/2" end panel

34 1/2" High
FMBEP R or L
40 1/2" High
FMBEP40 .R or L
Peninsula
FPMBEP

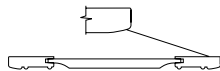
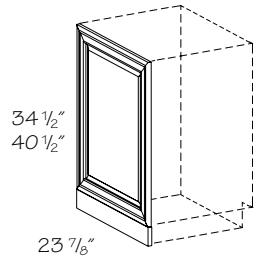
- Specify R or L
- 3/4" thick panel with matching door edge profile on front edge only
- Peninsula panel has routed door profile front and back
- Inside of matching panel bottom rail will line up with inside bottom rail of door
- For use with Furniture Plywood Ends (FPEB)—flush ends
- Left shown
- Field installation only
- **Not** available in mitered door styles; use End Panel—Mitered
- **Not** available in High-Gloss Foil or Wood-Grain Foil door styles
- ☆ Wide Bottom Rail—field notch for toe kick

PE
APC
APFC
FPEB
MI
● CW
RD
● CH
☆ WR
RTKP
VTK



When designing with Matching End Panels the reveal will differ from the cabinet door height reveal. Matching End Panels cover the entire side of the cabinet. See drawing for exact measurements

Matching Base End Panel—Mitered



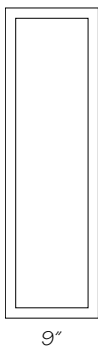
Will not fit flush against 1/2" end panel, a 3/16" shim is recommended

34 1/2" High
M.MBEP
40 1/2" High
M.MBEP40

- 3/4" thick panel with matching door edge profile on four sides
- Inside of matching panel bottom rail will line up with inside bottom rail of door
- Available in mitered and Carlin door styles only
- Reversible, may be used on either right or left end
- Field installation only
- Toe kick shipped unattached
- ☆ Wide Bottom Rail—field notch for toe kick

PE
APC
APFC
FPEB
MI
● CW
RD
● CH
☆ WR
RTKP
VTK

Overlay Panel For Base Blind Corner Cabinets

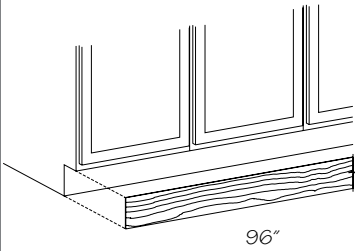


OPWBC30

- Available in full overlay door styles only
- Field miter
- Overlay Panel has routed door profile and is made from the same material as doors and drawer fronts

PE
APC
APFC
FPEB
MI
CW
RD
CH
WR
RTKP
VTK

Toe Kick



Black

† **BLTK8**

1/8" thick hardboard, 4 1/2" high

Laminate

MTK8

1/8" thick hardboard, 4 1/2" high, laminated with matching Laminate

Laminate

MTK8

1/8" thick hardboard, 4 1/2" high, laminated with matching printed wood grain laminate

Aluminum finish

MTK8 .A

1/16" thick flexible laminate, 4 1/2" high

Stainless finish

MTK8 .S

1/16" thick flexible laminate, 4 1/2" high

Wood Veneer

▲* **WMTK8**

3/16" thick wood veneer, 4 1/2" high, to match

† Painted hardwood supplied for EverCore®

▲ Painted or Stained hardwood supplied for Wood-Grain Foil door styles

* Quartersawn door styles are supplied plain sawn

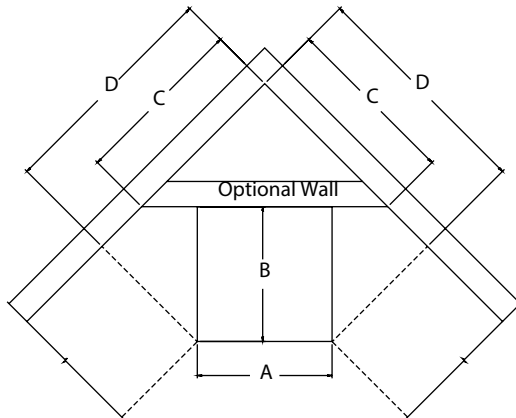
- Edges are unfinished
- Field installation only
- **Note:** Matching toe kick is **not** automatically supplied with cabinets. It **must** be ordered as a separate item



Apply Shoe Molding (SHO8) at the base of Matching Toe Kicks or Wood Matching Toe Kicks (MTK8 or WMTK8) for a nice, finished look.

PE
APC
APFC
FPEB
MI
CW
RD
CH
WR
RTKP
VTK

Diagonal Installation of Standard Base Cabinets



Note: Fillers are always recommended at both sides of cabinet junction points to allow for wall variations and drawer clearances.

Cabinet Width A	Cabinet Depth B	Wall Dimensions C	Wall Dimensions D
12"	24"	22 1/2"	32 1/2"
15"	24"	24 3/8"	34 3/8"
18"	24"	26 3/4"	36 3/4"
21"	24"	28 7/8"	38 7/8"
24"	24"	31"	41"
27"	24"	33 1/8"	43 1/8"
30"	24"	35 1/4"	45 1/4"
33"	24"	37 3/8"	47 3/8"
36"	24"	39 1/2"	49 1/2"
39"	24"	41 5/8"	51 5/8"
42"	24"	43 3/4"	53 3/4"
45"	24"	45 7/8"	55 7/8"
48"	24"	48"	58"

Notes

Tall Cabinets

Construction Options and Modifications

PS	18	24	84
code	width	depth	height

- ❖ Included as standard
- Available with an upcharge
- ☆ Available with exceptions
- (Blank) **Not** available

- PE Plywood Ends
- APC All Plywood Construction
- APFC All Plywood Furniture Construction
- FPEB Furniture Plywood Ends
- MI Matching Interior
- DE Integrated Decorative End
- OE Operational End
- AD_E Attached Decorative End
- CW Change Width
- RD Reduced Depth
- ID Increased Depth
- CH Change Height
- IF Inverted Frame
- WR Wide Bottom Rail
- XS Extended Stile
- GD Glass Doors
- RTK Recessed Toe Kick
- VTK Void Toe Kick
- TKD Toe Kick Drawer

Note: Standard tall cabinet box depth is 12" or 24" unless stated otherwise. Add door thickness with bumpers for total depth.

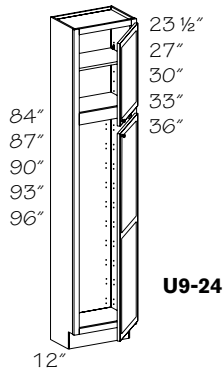
When BUTT is in all capitals, it **must** be included as part of your ordering nomenclature. A (Butt) in parentheses is for your information and isn't required on an order form.

Material dimensions listed may vary slightly from actual dimensions of the product.

Specifications subject to change without notice.

Note: Remember to remove the white plastic "feet" from the bottom of all tall cabinets before installation. Their sole purpose is to protect the floor after the cabinets are unboxed. Leaving them on will result in uneven installation.

Utility Cabinets 12" Deep



U9-24

84" High

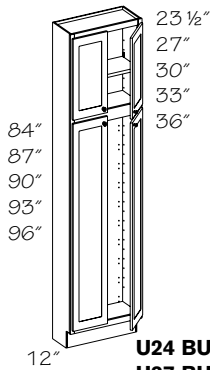
- ❖+ **U91284 R or L**
- **U121284 R or L**
- **U151284 R or L**
- **U181284 R or L**
- **U211284 R or L**
- **U241284 R or L**
- **U241284 BUTT**
- **U271284 (Butt)**
- **U301284 BUTT**
- **U331284 BUTT**
- **U361284 BUTT**

90" High

- ❖+ **U91290 R or L**
- **U121290 R or L**
- **U151290 R or L**
- **U181290 R or L**
- **U211290 R or L**
- **U241290 R or L**
- **U241290 BUTT**
- **U271290 (Butt)**
- **U301290 BUTT**
- **U331290 BUTT**
- **U361290 BUTT**

96" High

- ❖+ **U91296 R or L**
- **U121296 R or L**
- **U151296 R or L**
- **U181296 R or L**
- **U211296 R or L**
- **U241296 R or L**
- **U241296 BUTT**
- **U271296 (Butt)**
- **U301296 BUTT**
- **U331296 BUTT**
- **U361296 BUTT**



U24 BUTT - U27 BUTT

87" High

- ❖+ **U91287 R or L**
- **U121287 R or L**
- **U151287 R or L**
- **U181287 R or L**
- **U211287 R or L**
- **U241287 R or L**
- **U241287 BUTT**
- **U271287 (Butt)**
- **U301287 BUTT**
- **U331287 BUTT**
- **U361287 BUTT**

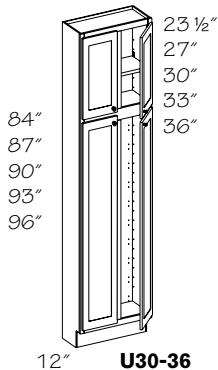
93" High

- ❖+ **U91293 R or L**
- **U121293 R or L**
- **U151293 R or L**
- **U181293 R or L**
- **U211293 R or L**
- **U241293 R or L**
- **U241293 BUTT**
- **U271293 (Butt)**
- **U301293 BUTT**
- **U331293 BUTT**
- **U361293 BUTT**

* Doors are square except full overlay arched door styles. Thermofoil doors will always be square. Vega doors will have a solid, recessed flat panel

○ Change Width (CW) option **not** available

+ Glass door option **not** available



U30-36
with 3" center stile

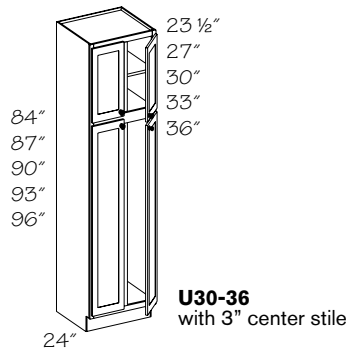
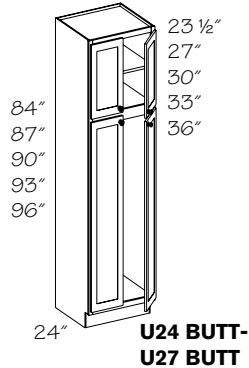
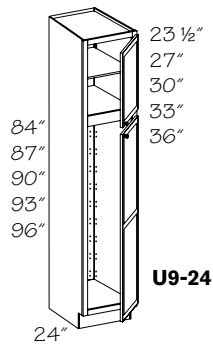
- Specify R or L for single door hinging
- Includes adjustable shelves in upper section: 84" & 87" high—one shelf; 90" & 93" high—two shelves; 96" high—three shelves
- No center rail for Bristow, Caparo, Carlin, Coleson, Fallon, Gallina, Glencoe, Hincley, Hurley, Jade, Jarvis, Jennings, Ladon, Maxum, Rathbun, Riverside, Saline, Sawyer, Temorah, Vega and Winterport door styles or doors with glass inserts
- Toe kick is shipped separately on 93" & 96" high cabinets
- ☆ Wide Bottom Rail (WR) and Recessed Toe Kick (RTK) **not** available on 93" & 96" high cabinets
- ☆ Void Toe Kick (VTK) is **not** available on 93" and 96" high cabinets
- ☆ When Inverted Frame (IF) is chosen in arched door styles, U18, U24 and U24BUTT, cabinets will have arched doors. All other cabinet sizes will be supplied with square doors
- ☆ Operational End (OE) is **not** available with Reduced Depth (RD) option
- ☆ Glass on top and bottom - select glass designs only
- **Note:** Shelf Kit (SK) for lower section **must** be ordered separately; see Shelving section



Remember to order a 3/16" skin (WSK) for the exposed ends of 93" & 96" high cabinets to conceal the seam between the loose toe kick and the cabinet.

- PE
- APC
- APFC
- FPEB
- MI
- DE
- OE
- AD_E
- ☆ CW
- ☆ RD
- ID
- CH
- ☆ IF
- ☆ WR
- XS
- ☆ GD
- ☆ RTK
- ☆ VTK
- TKD

Utility Cabinets 24" Deep



84" High

- *○▲† **U92484 R or L**
- **U122484 R or L**
- **U152484 R or L**
- **U182484 R or L**
- **U212484 R or L**
- **U242484 R or L**
- **U242484 BUTT**
- **U272484 (Butt)**
- **U302484 BUTT**
- **U332484 BUTT**
- **U362484 BUTT**

87" High

- *○▲† **U92487 R or L**
- **U122487 R or L**
- **U152487 R or L**
- **U182487 R or L**
- **U212487 R or L**
- **U242487 R or L**
- **U242487 BUTT**
- **U272487 (Butt)**
- **U302487 BUTT**
- **U332487 BUTT**
- **U362487 BUTT**

90" High

- *○▲ **U92490 R or L**
- **U122490 R or L**
- **U152490 R or L**
- **U182490 R or L**
- **U212490 R or L**
- **U242490 R or L**
- **U242490 BUTT**
- **U272490 (Butt)**
- **U302490 BUTT**
- **U332490 BUTT**
- **U362490 BUTT**

93" High

- *○▲ **U92493 R or L**
- **U122493 R or L**
- **U152493 R or L**
- **U182493 R or L**
- **U212493 R or L**
- **U242493 R or L**
- **U242493 BUTT**
- **U272493 (Butt)**
- **U302493 BUTT**
- **U332493 BUTT**
- **U362493 BUTT**

96" High

- *○▲ **U92496 R or L**
- **U122496 R or L**
- **U152496 R or L**
- **U182496 R or L**
- **U212496 R or L**
- **U242496 R or L**
- **U242496 BUTT**
- **U272496 (Butt)**
- **U302496 BUTT**
- **U332496 BUTT**
- **U362496 BUTT**

- Specify R or L for single door hinging
- Includes adjustable shelves in upper section: 84" & 87" high—one shelf; 90" & 93" high—two shelves; 96" high—three shelves
- No center rail for Bristow, Caparo, Carlin, Coleson, Fallon, Gallina, Glencoe, Hincley, Hurley, Jade, Jarvis, Jennings, Ladon, Maxum, Rathbun, Riverside, Saline, Sawyer, Temorah, Vega and Winterport door styles or doors with glass inserts
- Factory installed Roll-out Trays (ROT) are *not* available on Utility Cabinets wider than 24"
- Toe kick is shipped separately on 93" & 96" high cabinets
- ☆ When Inverted Frame (IF) is chosen in arched door styles, U18, U24 and U24BUTT, cabinets will have arched doors. All other cabinet sizes will be supplied with square doors
- ☆ Toe Kick Drawer (TKD), Wide Bottom Rail (WR) and Recessed Toe Kick (RTK) *not* available on 93" & 96" high cabinets
- ☆ Void Toe Kick (VTK) is *not* available on 93" and 96" high cabinets
- ☆ Maximum Increased Depth (ID) is 27"
- ☆ Operational End (OE) is *not* available with Increased Depth (ID) or Reduced Depth (RD) options
- ☆ Glass on top and bottom - select glass designs only
- **Note:** Shelf Kit (SK) for lower section *must* be ordered separately; see Shelving section



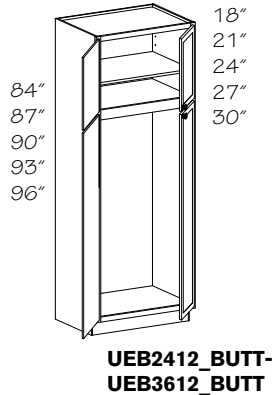
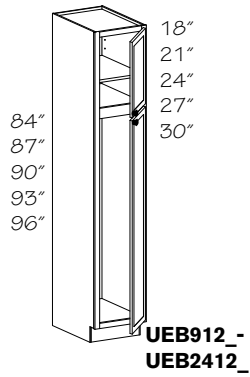
Remember to order a 3/16" skin (WSK) for the exposed ends of 93" & 96" high cabinets to conceal the seam between the loose toe kick and the cabinet.

* Doors are square except full overlay arched door styles. Thermofoil doors will always be square. Vega doors will have a solid, recessed flat panel

- Change Width (CW) option *not* available
- ▲ Glass door option *not* available
- † Toe Kick Drawer (TKD) option *not* available

●	PE
●	APC
●	APFC
●	FPEB
●	MI
●	DE
●	OE
●	AD_E
☆	CW
☆	RD
☆	ID
●	CH
☆	IF
☆	WR
☆	XS
☆	GD
☆	RTK
☆	VTK
☆	TKD

Utility Extended Bottom 12" Deep



84" High

UEB121284 R or L

UEB151284 R or L

UEB181284 R or L

UEB211284 R or L

UEB241284 R or L

○ **UEB241284 BUTT**

UEB271284 (Butt)

UEB301284 BUTT

UEB331284 BUTT

UEB361284 BUTT

87" High

UEB121287 R or L

UEB151287 R or L

UEB181287 R or L

UEB211287 R or L

UEB241287 R or L

○ **UEB241287 BUTT**

UEB271287 (Butt)

UEB301287 BUTT

UEB331287 BUTT

UEB361287 BUTT

90" High

UEB121290 R or L

UEB151290 R or L

UEB181290 R or L

UEB211290 R or L

UEB241290 R or L

○ **UEB241290 BUTT**

UEB271290 (Butt)

UEB301290 BUTT

UEB331290 BUTT

UEB361290 BUTT

○ Change Width (CW) option *not* available

93" High

UEB121293 R or L

UEB151293 R or L

UEB181293 R or L

UEB211293 R or L

UEB241293 R or L

○ **UEB241293 BUTT**

UEB271293 (Butt)

UEB301293 BUTT

UEB331293 BUTT

UEB361293 BUTT

96" High

UEB121296 R or L

UEB151296 R or L

UEB181296 R or L

UEB211296 R or L

UEB241296 R or L

○ **UEB241296 BUTT**

UEB271296 (Butt)

UEB301296 BUTT

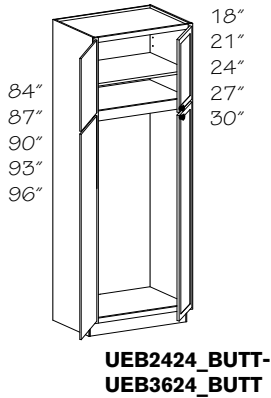
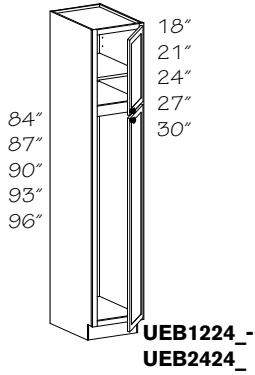
UEB331296 BUTT

UEB361296 BUTT

- Specify R or L for single door hinging
- ☆ Change Height (CH) modifications will be made in the upper section
- Includes adjustable shelves in upper section: 87" & 90" high-one shelf; 93" & 96" high-two shelves. (No shelf in upper section of 84" High)
- Deluxe Roll-out Trays available
- No center rail for Bristow, Caparo, Carlin, Coleson, Fallon, Gallina, Glencoe, Hurley, Jade, Jarvis, Jennings, Ladon, Maxum, Rathbun, Riverside, Saline, Sawyer, Temorah, Vega and Winterport door styles or doors with glass inserts
- **Not** available in Hincley door styles
- Toe kick is shipped separately on 93" & 96" high cabinets
- Wide Bottom Rail (WR) and Recessed Toe Kick (RTK) **not** available on 93" & 96" high cabinets
- Operational End (OE) is **not** available with Reduced Depth (RD) option
- **Note:** Shelf Kit (SK) for lower section **must** be ordered separately; see Shelving section

●	PE
●	APC
●	APFC
●	FPEB
●	MI
●	DE
☆	OE
●	AD_E
☆	CW
●	RD
●	ID
☆	CH
●	IF
☆	WR
●	XS
●	GD
☆	RTK
●	VTK
●	TKD

Utility Extended Bottom 24" Deep



84" High

UEB122484 R or L
UEB152484 R or L
UEB182484 R or L
UEB212484 R or L
UEB242484 R or L

- **UEB242484 BUTT**
- **UEB272484 (Butt)**
- **UEB302484 BUTT**
- **UEB332484 BUTT**
- **UEB362484 BUTT**

87" High

UEB122487 R or L
UEB152487 R or L
UEB182487 R or L
UEB212487 R or L
UEB242487 R or L

- **UEB242487 BUTT**
- **UEB272487 (Butt)**
- **UEB302487 BUTT**
- **UEB332487 BUTT**
- **UEB362487 BUTT**

90" High

UEB122490 R or L
UEB152490 R or L
UEB182490 R or L
UEB212490 R or L
UEB242490 R or L

- **UEB242490 BUTT**
- **UEB272490 (Butt)**
- **UEB302490 BUTT**
- **UEB332490 BUTT**
- **UEB362490 BUTT**

- Change Width (CW) option *not* available

93" High

UEB122493 R or L
UEB152493 R or L
UEB182493 R or L
UEB212493 R or L
UEB242493 R or L

- **UEB242493 BUTT**
- **UEB272493 (Butt)**
- **UEB302493 BUTT**
- **UEB332493 BUTT**
- **UEB362493 BUTT**

96" High

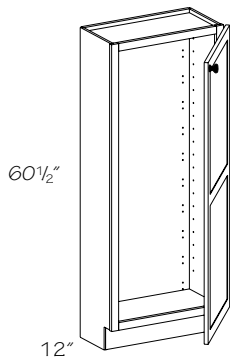
UEB122496 R or L
UEB152496 R or L
UEB182496 R or L
UEB212496 R or L
UEB242496 R or L

- **UEB242496 BUTT**
- **UEB272496 (Butt)**
- **UEB302496 BUTT**
- **UEB332496 BUTT**
- **UEB362496 BUTT**

- Specify R or L for single door hinging
- ☆ Change Height (CH) modifications will be made in the upper section
- Includes adjustable shelves in upper section: 87" & 90" high-one shelf; 93" & 96" high-two shelves. (No shelf in upper section of 84" High)
- Deluxe Roll-out Trays available
- No center rail for Bristow, Caparo, Carlin, Coleson, Fallon, Gallina, Glencoe, Hurley, Jade, Jarvis, Jennings, Ladon, Maxum, Rathbun, Riverside, Saline, Sawyer, Temorah, Vega and Winterport door styles or doors with glass inserts
- **Not** available in Hincley door styles
- Toe kick is shipped separately on 93" & 96" high cabinets
- ☆ Toe Kick Drawer (TKD), Wide Bottom Rail (WR) and Recessed Toe Kick (RTK) *not* available on 93" & 96" high cabinets
- Maximum Increased Depth (ID) is 27"
- Operational End (OE) is *not* available with Increased Depth (ID) or Reduced Depth (RD) options
- **Note:** Shelf Kit (SK) for lower section *must* be ordered separately; see Shelving section
- **Note:** for 24" Deep Cabinets: Factory Installed Roll-Out Trays (DXROT) are *not* available on Utility Cabinets wider than 24"

●	PE
●	APC
●	APFC
●	FPEB
●	MI
●	DE
☆	OE
●	AD_E
☆	CW
●	RD
☆	ID
☆	CH
	IF
☆	WR
●	XS
●	GD
☆	RTK
	VTK
☆	TKD

Utility Cabinets 60 1/2" High 12" Deep



Single Door

※○■ **U91260 R or L**
U121260 R or L
U151260 R or L
U181260 R or L
U211260 R or L
U241260 R or L

Double Door

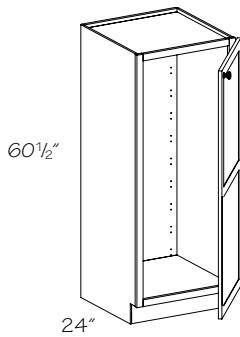
○ **U241260 BUTT**
U271260 (Butt)
U301260 BUTT
U331260 BUTT
U361260 BUTT

- Change Width (CW) option *not* available
- Glass door option *not* available
- * Vega doors will have a solid, recessed flat panel

- Specify R or L for single door hinging
- No shelf
- Shelf Kit (SK) *must* be ordered separately; see Shelving section
- All door styles furnished square
- No center rail for Caparo, Glencoe, Rathbun, Saline, Winterport Square, Winterport Arch door styles or doors with glass inserts
- ☆ Operational End (OE) is *not* available with Increased Depth (ID) or Reduced Depth (RD) options

●	PE
●	APC
●	APFC
●	FPEB
●	MI
●	DE
●	OE
●	AD_E
☆	CW
☆	RD
	ID
	CH
	IF
●	WR
●	XS
☆	GD
●	RTK
●	VTK
	TKD

Utility Cabinets 60 1/2" High 24" Deep



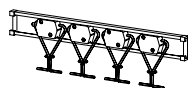
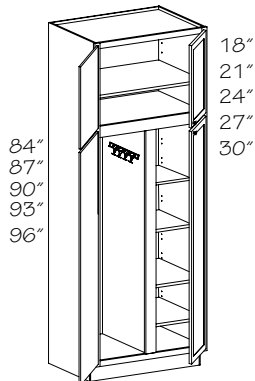
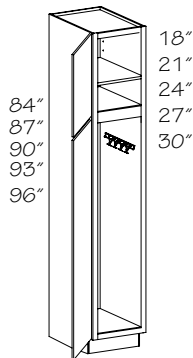
Single Door		Double Door	
*†■	U92460 R or L	○	U242460 BUTT
	U122460 R or L		U272460 (Butt)
	U152460 R or L		U302460 BUTT
	U182460 R or L		U332460 BUTT
	U212460 R or L		U362460 BUTT
	U242460 R or L		

- Change Width (CW) option *not* available
- † Toe Kick Drawer (TKD) option *not* available
- Glass door option *not* available
- * Vega doors will have a solid, recessed flat panel

- Specify R or L for single door hinging
- No shelf
- Shelf Kit (SK) *must* be ordered separately; see Shelving section
- All door styles furnished square
- No center rail for Caparo, Glencoe, Rathbun, Saline, Winterport Square, Winterport Arch door styles or doors with glass inserts
- Factory installed Roll-out Trays (ROT) are *not* available on Utility Cabinets wider than 24"
- ☆ Maximum Increased Depth (ID) is 27"
- ☆ Operational End (OE) is *not* available with Increased Depth (ID) or Reduced Depth (RD) options

●	PE
●	APC
●	APFC
●	FPEB
●	MI
●	DE
●	OE
●	AD_E
☆	CW
☆	RD
☆	ID
☆	CH
	IF
●	WR
●	XS
☆	GD
●	RTK
●	VTK
☆	TKD

Utility Cleaning Cabinet 24" Deep



BMHK

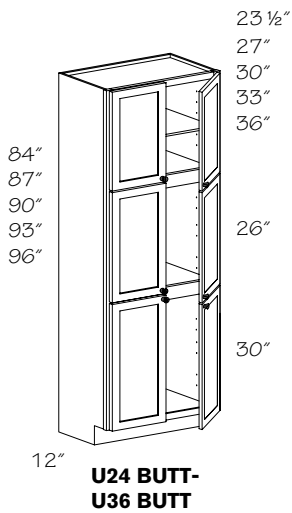
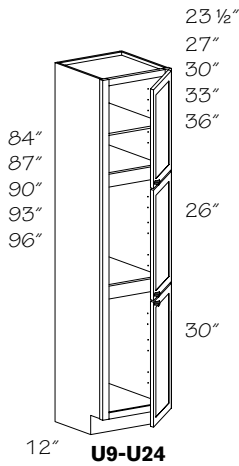
84" High		93" High	
*♦○	UCC152484 R or L	*♦○	UCC152493 R or L
*♦	UCC182484 R or L	*♦	UCC182493 R or L
*♦	UCC212484 R or L	*♦	UCC212493 R or L
○	UCC242484 BUTT	○	UCC242493 BUTT
	UCC302484 BUTT		UCC302493 BUTT
	UCC332484 BUTT		UCC332493 BUTT
	UCC362484 BUTT		UCC362493 BUTT
87" High		96" High	
*♦○	UCC152487 R or L	*♦○	UCC152496 R or L
*♦	UCC182487 R or L	*♦	UCC182496 R or L
*♦	UCC212487 R or L	*♦	UCC212496 R or L
○	UCC242487 BUTT	○	UCC242496 BUTT
	UCC302487 BUTT		UCC302496 BUTT
	UCC332487 BUTT		UCC332496 BUTT
	UCC362487 BUTT		UCC362496 BUTT
90" High		Broom Hook Replacement	
*♦○	UCC152490 R or L		BMHK
*♦	UCC182490 R or L		
*♦	UCC212490 R or L		
○	UCC242490 BUTT		
	UCC302490 BUTT		
	UCC332490 BUTT		
	UCC362490 BUTT		

- ☆ Operational End (OE) available on the hinge side of the cabinet only
- ◆ Integrated Decorative End (DE) available on the hinge side of the cabinet only
- Change Width (CW) option *not* available

- Specify R or L for single door hinging
- ☆ Change Height (CH) modifications will be made in the upper section
- ☆ Toe Kick Drawer (TKD), Void Toe Kick (VTK), Wide Bottom Rail (WR) and Recessed Toe Kick (RTK) *not* available on 93" & 96" high cabinets
- Single door cabinets: Broom hooks supplied on the end panel opposite the hinged side
- Double door cabinets: Broom hooks supplied on the center divider. Shelves right side, broom hooks left side
- Shelves shipped with cabinet
- Includes adjustable shelves in upper section: 87" & 90" high-one shelf; 93" & 96" high-two shelves. (No shelf in upper section of 84" High)
- Deluxe Rollout Trays available as field installed for double door cabinets (right side only) except for 33" wide unit
- No center rail for Bristow, Caparo, Carlin, Coleson, Fallon, Gallina, Glencoe, Hurley, Jade, Jarvis, Jennings, Ladon, Maxum, Rathbun, Riverside, Saline, Sawyer, Temorah, Vega and Winterport door styles or doors with glass inserts
- *Not* available in Hincley door styles
- Toe kick is shipped separately on 93" & 96" high cabinets
- ☆ Maximum Increased Depth (ID) is 27"
- ☆ Minimum Reduced Depth (RD) is 21"
- ☆ Operational End (OE) is *not* available with Increased Depth (ID) or Reduced Depth (RD) options
- Broom Hook (BHMK) also sold individually

●	PE
●	APC
●	APFC
●	FPEB
●	MI
☆	DE
☆	OE
●	AD_E
☆	CW
☆	RD
☆	ID
☆	CH
☆	IF
☆	WR
●	XS
●	GD
☆	RTK
☆	VTK
☆	TKD

Utility Stack Cabinets 12" Deep



84" High

- *O+ **UST91284 R or L**
- UST121284 R or L**
- UST151284 R or L**
- UST181284 R or L**
- UST211284 R or L**
- UST241284 R or L**
- O **UST241284 BUTT**
- UST271284 (Butt)**
- UST301284 BUTT**
- UST331284 BUTT**
- UST361284 BUTT**

87" High

- *O+ **UST91287 R or L**
- UST121287 R or L**
- UST151287 R or L**
- UST181287 R or L**
- UST211287 R or L**
- UST241287 R or L**
- O **UST241287 BUTT**
- UST271287 (Butt)**
- UST301287 BUTT**
- UST331287 BUTT**
- UST361287 BUTT**

90" High

- *O+ **UST91290 R or L**
- UST121290 R or L**
- UST151290 R or L**
- UST181290 R or L**
- UST211290 R or L**
- UST241290 R or L**
- O **UST241290 BUTT**
- UST271290 (Butt)**
- UST301290 BUTT**
- UST331290 BUTT**
- UST361290 BUTT**

93" High

- *O+ **UST91293 R or L**
- UST121293 R or L**
- UST151293 R or L**
- UST181293 R or L**
- UST211293 R or L**
- UST241293 R or L**
- O **UST241293 BUTT**
- UST271293 (Butt)**
- UST301293 BUTT**
- UST331293 BUTT**
- UST361293 BUTT**

96" High

- *O+ **UST91296 R or L**
- UST121296 R or L**
- UST151296 R or L**
- UST181296 R or L**
- UST211296 R or L**
- UST241296 R or L**
- O **UST241296 BUTT**
- UST271296 (Butt)**
- UST301296 BUTT**
- UST331296 BUTT**
- UST361296 BUTT**

- Specify R or L for single door hinging
- Includes adjustable shelves in upper section: 84" & 87" high—one shelf; 90" & 93" high—two shelves; 96" high—three shelves
- Factory installed Roll-out Trays (ROT) are *not* available on Utility Cabinets wider than 24"
- Toe kick is shipped separately on 93" & 96" high cabinets
- ☆ Wide Bottom Rail (WR) and Recessed Toe Kick (RTK) *not* available on 93" & 96" high cabinets
- ☆ Void Toe Kick (VTK) is *not* available on 93" and 96" high cabinets
- ☆ Change Height (CH) modifications will be made in the upper section
- ☆ Operational End (OE) is *not* available with Reduced Depth (RD) option
- ☆ Glass doors available for top doors only
- ☆ To get glass on center and bottom door, order appropriate replacement door with glass option
- **Note:** Shelf Kits (SK) for center and bottom sections *must* be ordered separately; see Shelving section



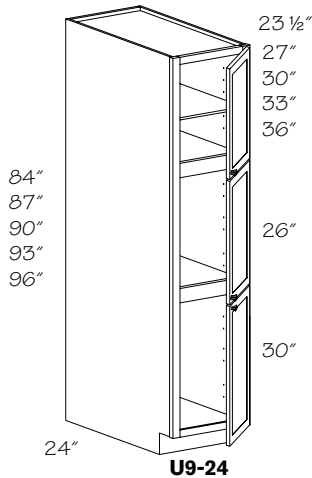
Remember to order a 3/16" skin (WSK) for the exposed ends of 93" & 96" high cabinets to conceal the seam between the loose toe kick and the cabinet.

●	PE
●	APC
●	APFC
●	FPEB
●	MI
●	DE
☆	OE
●	AD_E
☆	CW
●	RD
	ID
☆	CH
	IF
☆	WR
●	XS
☆	GD
☆	RTK
☆	VTK
	TKD

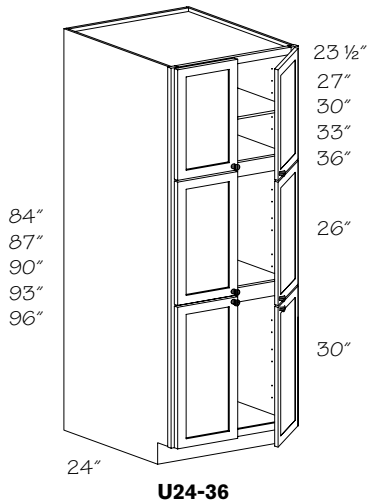
- * Doors are square except full overlay arched door styles. Thermofoil doors will always be square. Vega doors will have a solid, recessed flat panel
- O Change Width (CW) option *not* available
- + Glass door option *not* available
- * Vega doors will have a solid, recessed flat panel

Utility Stack Cabinets 24" Deep

●	PE
●	APC
●	APFC
●	FPEB
●	MI
●	DE
●	OE
●	AD_E
☆	CW
●	RD
☆	ID
☆	CH
☆	IF
☆	WR
●	XS
☆	GD
☆	RTK
☆	VTK
☆	TKD



U9-24



U24-36

84" High		93" High	
※○▲†	UST92484 R or L	※○▲	UST92493 R or L
	UST122484 R or L		UST122493 R or L
	UST152484 R or L		UST152493 R or L
	UST182484 R or L		UST182493 R or L
	UST212484 R or L		UST212493 R or L
	UST242484 R or L		UST242493 R or L
○	UST242484 BUTT	○	UST242493 BUTT
	UST272484 (Butt)		UST272493 (Butt)
	UST302484 BUTT		UST302493 BUTT
	UST332484 BUTT		UST332493 BUTT
	UST362484 BUTT		UST362493 BUTT
87" High		96" High	
※○▲†	UST92487 R or L	※○▲	UST92496 R or L
	UST122487 R or L		UST122496 R or L
	UST152487 R or L		UST152496 R or L
	UST182487 R or L		UST182496 R or L
	UST212487 R or L		UST212496 R or L
	UST242487 R or L		UST242496 R or L
○	UST242487 BUTT	○	UST242496 BUTT
	UST272487 (Butt)		UST272496 (Butt)
	UST302487 BUTT		UST302496 BUTT
	UST332487 BUTT		UST332496 BUTT
	UST362487 BUTT		UST362496 BUTT
90" High			
※○▲†	UST92490 R or L		
	UST122490 R or L		
	UST152490 R or L		
	UST182490 R or L		
	UST212490 R or L		
	UST242490 R or L		
○	UST242490 BUTT		
	UST272490 (Butt)		
	UST302490 BUTT		
	UST332490 BUTT		
	UST362490 BUTT		

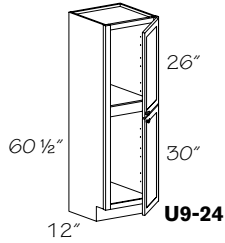
- ※ Doors are square except full overlay arched door styles. Thermofoil doors will always be square. Vega doors will have a solid, recessed flat panel
- Change Width (CW) option **not** available
- ▲ Glass door option **not** available
- † Toe Kick Drawer (TKD) option **not** available

- Specify R or L for single door hinging
- Includes adjustable shelves in upper section: 84" & 87" high—one shelf; 90" & 93" high—two shelves; 96" high—three shelves
- Factory installed Roll-out Trays (ROT) are **not** available on Utility Cabinets wider than 24"
- Toe kick is shipped separately on 93" & 96" high cabinets
- ☆ Toe Kick Drawer (TKD), Wide Bottom Rail (WR) and Recessed Toe Kick (RTK) **not** available on 93" & 96" high cabinets
- ☆ Void Toe Kick (VTK) is **not** available on 93" and 96" high cabinets
- ☆ Change Height (CH) modifications will be made in the upper section
- ☆ Maximum Increased Depth (ID) is 27"
- ☆ Operational End (OE) is **not** available with Reduced Depth (RD) option
- ☆ Glass doors available for top doors only
- To get glass on center and bottom door, order appropriate replacement door with glass option
- **Note:** Shelf Kits (SK) for center and bottom sections **must** be ordered separately; see Shelving section

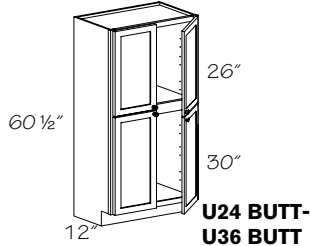


Remember to order a 3/16" skin (WSK) for the exposed ends of 93" & 96" high cabinets to conceal the seam between the loose toe kick and the cabinet.

Utility Stack Cabinets 60 1/2" High 12" Deep



U9-24

U24 BUTT-
U36 BUTT

Single Door

- ▲* **UST91260 R or L**
- ▲* **UST121260 R or L**
- ▲* **UST151260 R or L**
- ▲* **UST181260 R or L**
- ▲* **UST211260 R or L**
- ▲* **UST241260 R or L**

Double Door

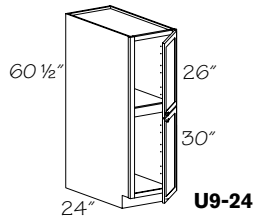
- **UST241260 BUTT**
- **UST271260 (Butt)**
- **UST301260 BUTT**
- **UST331260 BUTT**
- **UST361260 BUTT**

- Change Width (CW) option **not** available
- ▲ Glass door option **not** available
- * Vega doors will have a solid, recessed flat panel

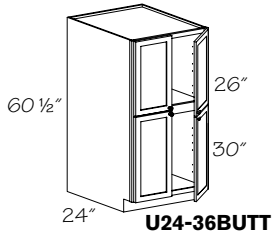
- Specify R or L for single door hinging
- No shelf
- All door styles furnished square
- Factory installed Roll-out Trays (ROT) are **not** available on Utility Cabinets wider than 24"
- ☆ Operational End (OE) is **not** available with Increased Depth (ID) or Reduced Depth (RD) options
- ☆ Glass doors available for top doors only
- **Note:** Shelf Kits (SK) for center and bottom sections **must** be ordered separately; see Shelving section

●	PE
●	APC
●	APFC
●	FPEB
●	MI
●	DE
●	OE
●	AD_E
☆	CW
☆	RD
	ID
	CH
	IF
●	WR
●	XS
☆	GD
●	RTK
●	VTK
☆	TKD

Utility Stack Cabinets 60 1/2" High 24" Deep



U9-24



U24-36BUTT

Single Door

- †▲* **UST92460 R or L**
- †▲* **UST122460 R or L**
- †▲* **UST152460 R or L**
- †▲* **UST182460 R or L**
- †▲* **UST212460 R or L**
- †▲* **UST242460 R or L**

Double Door

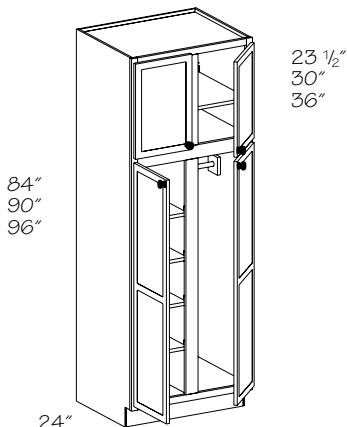
- **UST242460 BUTT**
- **UST272460 (Butt)**
- **UST302460 BUTT**
- **UST332460 BUTT**
- **UST362460 BUTT**

- Change Width (CW) option **not** available
- † Toe Kick Drawer (TKD) option **not** available
- ▲ Glass door option **not** available
- * Vega doors will have a solid, recessed flat panel

- Specify R or L for single door hinging
- No shelf
- All door styles furnished square
- Factory installed Roll-out Trays (ROT) are **not** available on Utility Cabinets wider than 24"
- ☆ Maximum Increased Depth (ID) is 27"
- ☆ Glass doors available for top doors only
- ☆ Operational End (OE) is **not** available with Increased Depth (ID) or Reduced Depth (RD) options
- **Note:** Shelf Kits (SK) for center and bottom sections **must** be ordered separately; see Shelving section

●	PE
●	APC
●	APFC
●	FPEB
●	MI
●	DE
●	OE
●	AD_E
☆	CW
☆	RD
☆	ID
	CH
	IF
●	WR
●	XS
☆	GD
●	RTK
●	VTK
☆	TKD

Utility Combination—Shelves Left



84" High

- * **UC242484 BUTT.SL**
- * **UC302484 .SL**
- * **UC362484 .SL**

90" High

- * **UC242490 BUTT.SL**
- * **UC302490 .SL**
- * **UC362490 .SL**

96" High

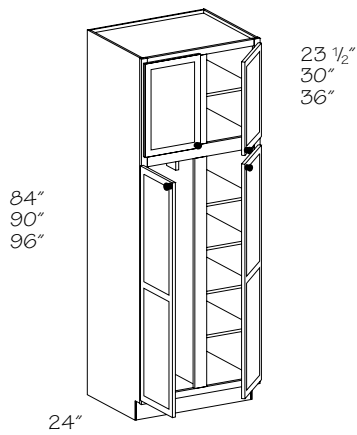
- * **UC242496 BUTT.SL**
- * **UC302496 .SL**
- * **UC362496 .SL**

- * Roll-out Trays (ROT) are **not** available

- Four adjustable shelves and one closet rod included
- Includes adjustable shelves in upper section: 84" high—one shelf; 90" high—two shelves; 96" high—three shelves
- No center rail for Bristow, Caparo, Carlin, Coleson, Fallon, Gallina, Glencoe, Hincley, Hurley, Jade, Jarvis, Jennings, Ladon, Maxum, Rathbun, Riverside, Saline, Sawyer, Temorah, Vega and Winterport door styles or doors with glass inserts
- Toe kick is shipped separately on 96" high cabinets
- ☆ Toe Kick Drawer (TKD), Wide Bottom Rail (WR) and Recessed Toe Kick (RTK) **not** available 96" high cabinets
- ☆ VTK is **not** available on 96" H cabinets
- ☆ Maximum Increased Depth (ID) is 27"
- Change Height (CH) modifications will be made in the upper door section
- ☆ Glass on top and bottom - select glass designs only

●	PE
●	APC
●	APFC
●	FPEB
●	MI
●	DE
●	OE
●	AD_E
●	CW
●	RD
☆	ID
●	CH
	IF
☆	WR
●	XS
☆	GD
☆	RTK
☆	VTK
☆	TKD

Utility Combination



84" High

※ **UC242484 BUTT**
UC302484
UC362484

90" High

※ **UC242490 BUTT**
UC302490
UC362490

96" High

※ **UC242496 BUTT**
UC302496
UC362496

※ Roll-out Trays (ROT) are **not** available

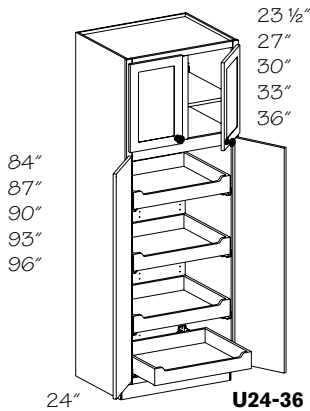
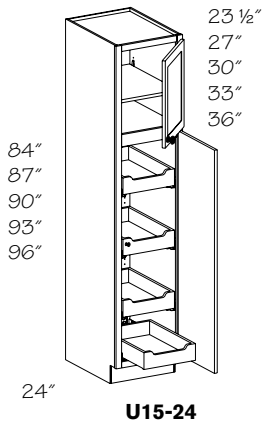
- Four adjustable shelves and one closet rod included
- Includes adjustable shelves in upper section: 84" high—one shelf; 90" high—two shelves; 96" high—three shelves
- No center rail for Bristow, Caparo, Carlin, Coleson, Fallon, Gallina, Glencoe, Hincley, Hurley, Jade, Jarvis, Jennings, Ladon, Maxum, Rathbun, Riverside, Saline, Sawyer, Temorah, Vega and Winterport door styles or doors with glass inserts
- Toe kick is shipped separately on 96" high cabinets
- ☆ WR and RTK **not** available 96" high cabinets
- ☆ VTK is **not** available on 96" H cabinets
- ☆ Maximum Increased Depth (ID) is 27"
- Change Height (CH) modifications will be made in the upper door section
- ☆ Glass on top and bottom - select glass designs only



Remember to order a 3/16" skin (WSK) for the exposed ends of 93" & 96" high cabinets to conceal the seam between the loose toe kick and the cabinet.

●	PE
●	APC
●	APFC
●	FPEB
●	MI
	DE
	OE
●	AD_E
	CW
●	RD
☆	ID
●	CH
	IF
☆	WR
●	XS
☆	GD
☆	RTK
☆	VTK
	TKD

Utility Deluxe Dovetailed Roll-out Tray



84" High

U152484 R or L.4DXROT

U182484 R or L.4DXROT

U212484 R or L.4DXROT

U242484 R or L.4DXROT

○ **U242484 BUTT.4DXROT**

U272484 (Butt).4DXROT

U302484 BUTT.4DXROT

U332484 BUTT.4DXROT

U362484 BUTT.4DXROT

87" High

U152487 R or L.4DXROT

U182487 R or L.4DXROT

U212487 R or L.4DXROT

U242487 R or L.4DXROT

○ **U242487 BUTT.4DXROT**

U272487 (Butt).4DXROT

U302487 BUTT.4DXROT

U332487 BUTT.4DXROT

U362487 BUTT.4DXROT

90" High

U152490 R or L.4DXROT

U182490 R or L.4DXROT

U212490 R or L.4DXROT

U242490 R or L.4DXROT

○ **U242490 BUTT.4DXROT**

U272490 (Butt).4DXROT

U302490 BUTT.4DXROT

U332490 BUTT.4DXROT

U362490 BUTT.4DXROT

93" High

U152493 R or L.4DXROT

U182493 R or L.4DXROT

U212493 R or L.4DXROT

U242493 R or L.4DXROT

○ **U242493 BUTT.4DXROT**

U272493 (Butt).4DXROT

U302493 BUTT.4DXROT

U332493 BUTT.4DXROT

U362493 BUTT.4DXROT

96" High

U152496 R or L.4DXROT

U182496 R or L.4DXROT

U212496 R or L.4DXROT

U242496 R or L.4DXROT

○ **U242496 BUTT.4DXROT**

U272496 (Butt).4DXROT

U302496 BUTT.4DXROT

U332496 BUTT.4DXROT

U362496 BUTT.4DXROT

○ Change Width (CW) option *not* available

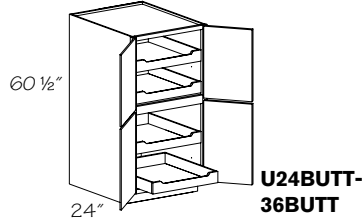
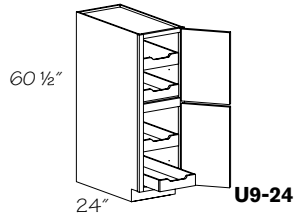
- Specify R or L for single door hinging
- Four adjustable Roll-out Trays (ROT) included in lower section
- Includes adjustable shelves in upper section: 84" & 87" high—one shelf; 90" & 93" high—two shelves; 96" high—three shelves
- No center rail for Bristow, Caparo, Carlin, Coleson, Fallon, Gallina, Glencoe, Hincley, Hurley, Jade, Jarvis, Jennings, Ladon, Maxum, Rathbun, Riverside, Saline, Sawyer, Temorah, Vega and Winterport door styles or doors with glass inserts
- Roll-out Trays (ROT) are 4" deep, 5/8" solid wood dovetailed sides with 3/16" plywood bottom, notched front and full extension runners with integrated buffer
- Roll-out Trays (ROT) shipped separately on 27"–36" wide units
- Toe kick is shipped separately on 93" & 96" high cabinets
- ☆ Reduced Depth (RD) available in 18" and 21" depths only
- ☆ Toe Kick Drawer (TKD), Wide Bottom Rail (WR) and Recessed Toe Kick (RTK) *not* available on 93" & 96" high cabinets
- ☆ 27"–36" wide units *not* available with Reduced Depth (RD)
- ☆ Void Toe Kick (VTK) is *not* available on 93" and 96" high cabinets
- ☆ Maximum Increased Depth (ID) is 27". Deluxe Roll-out Trays remain nominally 24" deep
- ☆ Glass on top and bottom - select glass designs only



Remember to order a 3/16" skin (WSK) for the exposed ends of 93" & 96" high cabinets to conceal the seam between the loose toe kick and the cabinet.

●	PE
●	APC
●	APFC
●	FPEB
●	MI
●	DE
●	OE
●	AD_E
☆	CW
☆	RD
☆	ID
●	CH
	IF
☆	WR
●	XS
☆	GD
☆	RTK
☆	VTK
☆	TKD

Utility Stack 60 1/2" High Deluxe Dovetailed Roll-out Tray



UST152460 R or L.4DXROT
UST182460 R or L.4DXROT
UST212460 R or L.4DXROT
UST242460 R or L.4DXROT

○ **UST242460 BUTT.4DXROT**

▲ **UST272460 (Butt).4DXROT**

▲ **UST302460 BUTT.4DXROT**

▲ **UST332460 BUTT.4DXROT**

▲ **UST362460 BUTT.4DXROT**

○ Change Width (CW) option *not* available

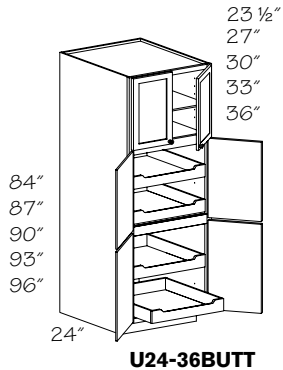
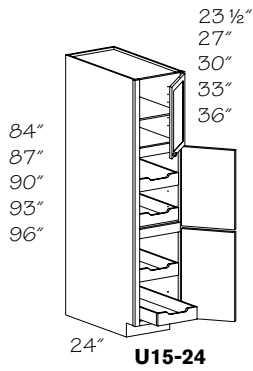
▲ Reduced Depth (RD) is *not* available

- Specify R or L for single door hinging
- Two Deluxe Roll-out Trays (DXROT) in bottom section and two Deluxe Roll-out Trays (DXROT) in the center section
- Deluxe Dovetailed Roll-out Trays (DXROT) are 4" deep, 5/8" solid wood dovetailed sides with 3/16" plywood bottom, notched front and full extension runners with integrated buffer
- Roll-out Trays (ROT) shipped separately on 27"-36" wide units
- ☆ Maximum Increased Depth (ID) is 27". Deluxe Roll-out Trays remain nominally 24" deep

●	PE
●	APC
●	APFC
●	FPEB
●	MI
●	DE
●	OE
●	AD_E
☆	CW
☆	RD
☆	ID
●	CH
●	IF
●	WR
●	XS
●	GD
●	RTK
●	VTK
●	TKD

Utility Stack 84"-96" High Deluxe Dovetailed Roll-out Tray

●	PE
●	APC
●	APFC
●	FPEB
●	MI
●	DE
●	OE
●	AD_E
☆	CW
☆	RD
☆	ID
☆	CH
☆	IF
☆	WR
●	XS
☆	GD
☆	RTK
☆	VTK
☆	TKD



84" High

UST152484 R or L.4DXROT
UST182484 R or L.4DXROT
UST212484 R or L.4DXROT
UST242484 R or L.4DXROT

- **UST242484 BUTT.4DXROT**
- ▲ **UST272484 (Butt).4DXROT**
- ▲ **UST302484 BUTT.4DXROT**
- ▲ **UST332484 BUTT.4DXROT**
- ▲ **UST362484 BUTT.4DXROT**

87" High

UST152487 R or L.4DXROT
UST182487 R or L.4DXROT
UST212487 R or L.4DXROT
UST242487 R or L.4DXROT

- **UST242487 BUTT.4DXROT**
- ▲ **UST272487 (Butt).4DXROT**
- ▲ **UST302487 BUTT.4DXROT**
- ▲ **UST332487 BUTT.4DXROT**
- ▲ **UST362487 BUTT.4DXROT**

90" High

UST152490 R or L.4DXROT
UST182490 R or L.4DXROT
UST212490 R or L.4DXROT
UST242490 R or L.4DXROT

- **UST242490 BUTT.4DXROT**
- ▲ **UST272490 (Butt).4DXROT**
- ▲ **UST302490 BUTT.4DXROT**
- ▲ **UST332490 BUTT.4DXROT**
- ▲ **UST362490 BUTT.4DXROT**

93" High

UST152493 R or L.4DXROT
UST182493 R or L.4DXROT
UST212493 R or L.4DXROT
UST242493 R or L.4DXROT

- **UST242493 BUTT.4DXROT**
- ▲ **UST272493 (Butt).4DXROT**
- ▲ **UST302493 BUTT.4DXROT**
- ▲ **UST332493 BUTT.4DXROT**
- ▲ **UST362493 BUTT.4DXROT**

96" High

UST152496 R or L.4DXROT
UST182496 R or L.4DXROT
UST212496 R or L.4DXROT
UST242496 R or L.4DXROT

- **UST242496 BUTT.4DXROT**
- ▲ **UST272496 (Butt).4DXROT**
- ▲ **UST302496 BUTT.4DXROT**
- ▲ **UST332496 BUTT.4DXROT**
- ▲ **UST362496 BUTT.4DXROT**

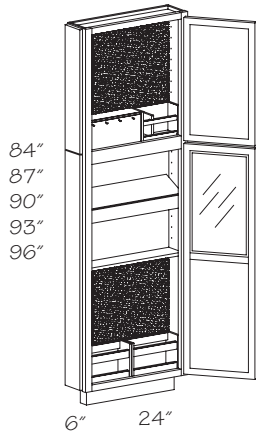
- Change Width (CW) option *not* available
- ▲ Reduced Depth (RD) is *not* available

- Specify R or L for single door hinging
- Includes adjustable shelves in upper section: 84" & 87" high—one shelf; 90" & 93" high—two shelves; 96" high—three shelves
- Deluxe Dovetailed Roll-out Trays (DXROT) are 4" deep, 5/8" solid wood dovetailed sides with 3/16" plywood bottom, notched front and full extension runners with integrated buffer
- Two Deluxe Roll-out Trays (DXROT) in bottom section and two Deluxe Roll-out Trays (DXROT) in the center section
- Roll-out Trays (ROT) shipped separately on 27"-36" wide units
- Factory installed Roll-out Trays (ROT) will be installed in the bottom section up to the maximum number allowed, any remaining trays will be installed in the center section
- Factory installed Roll-out Trays (ROT) are *not* available on Utility Cabinets wider than 24"
- Toe kick is shipped separately on 93" & 96" high cabinets
- ☆ Change Height (CH) modifications will be made in the upper section
- ☆ Glass doors available for top section only
- ☆ Wide Bottom Rail (WR) and Recessed Toe Kick (RTK) *not* available on 93" & 96" high cabinets
- ☆ Toe Kick Drawer (TKD), Wide Bottom Rail (WR) and Recessed Toe Kick (RTK) *not* available on 93" & 96" high cabinets
- ☆ Maximum Increased Depth (ID) is 27". Deluxe Roll-out Trays remain nominally 24" deep



Remember to order a 3/16" skin (WSK) for the exposed ends of 93" & 96" high cabinets to conceal the seam between the loose toe kick and the cabinet.

Utility Message Center

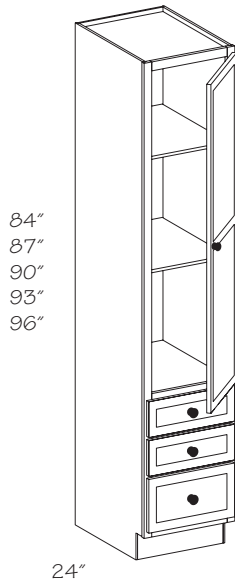


MCU2484 R or L
MCU2487 R or L
MCU2490 R or L
MCU2493 R or L
MCU2496 R or L

- Specify R or L for single door hinging
- Top section features: Key hooks, cork board and organizer unit
- Bottom section features: Dry erase board, cork board, 2 magazine racks, 1 shelf, charging station (two - three-prong and two USB outlets)
- Requires separate power source in bottom section
- Charging station cord is 6 ft. long; power source **must** be within reach
- For use at the end of a cabinet run
- Back of cabinet is unfinished
- Two-piece Tall Filler Overlay (TFOL) supplied; shipped separately
- Toe kick is shipped separately on 93" & 96" high cabinets
- ☆ Void Toe Kick (VTK) is **not** available on 93" and 96" high cabinets

●	PE
●	APC
◆	APFC
●	FPEB
●	MI
●	DE
●	OE
●	AD_E
●	CW
●	RD
●	ID
●	CH
●	IF
☆	WR
●	XS
●	GD
◆	RTK
☆	VTK
☆	TKD

Pantry Storage



84" High
PS182484 R or L
PS242484 R or L
○ **PS242484 BUTT**

87" High
▲ **PS182487 R or L**
▲ **PS242487 R or L**
○▲ **PS242487 BUTT**

90" High
PS182490 R or L
PS242490 R or L
○ **PS242490 BUTT**

93" High
▲ **PS182493 R or L**
▲ **PS242493 R or L**
○▲ **PS242493 BUTT**

96" High
PS182496 R or L
PS242496 R or L
○ **PS242496 BUTT**

- Change Width (CW) option **not** available
- ▲ **Not** available in Hincley door styles

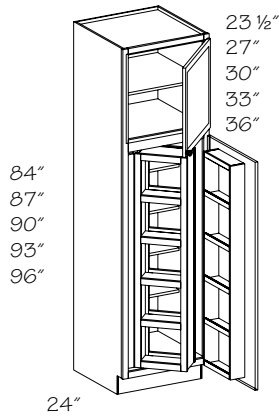
- Specify R or L for single door hinging
- Includes two adjustable shelves in upper section
- Drawer Configuration: 84" high-Three drawers (two standard, one deep) bottom edge of upper door aligns with bottom edge of the top drawer of standard base cabinet; 87" high-Three drawers (one standard, two deep). Drawers will not align with other base cabinets; 90" & 93" high-Four drawers (three standard, one deep) top drawer aligns with top drawer of standard base cabinet; 96" high-Five drawers (four standard, one deep) top drawer sets above countertop
- No center rail for Bristow, Caparo, Carlin, Coleson, Fallon, Gallina, Glencoe, Hincley, Hurley, Jade, Jarvis, Jennings, Ladon, Maxum, Rathbun, Riverside, Saline, Sawyer, Temorah, Vega and Winterport door styles or doors with glass inserts
- Factory installed Roll-out Trays (ROT) are **not** available
- Toe kick is shipped separately on 93" & 96" high cabinets
- ☆ Toe Kick Drawer (TKD), Wide Bottom Rail (WR) and Recessed Toe Kick (RTK) **not** available on 93" & 96" high cabinets
- ☆ Void Toe Kick (VTK) is **not** available on 93" and 96" high cabinets
- ☆ Maximum Increased Depth (ID) is 27"



Remember to order a 3/16" skin (WSK) for the exposed ends of 93" & 96" high cabinets to conceal the seam between the loose toe kick and the cabinet.

●	PE
●	APC
●	APFC
●	FPEB
●	MI
●	DE
●	OE
●	AD_E
☆	CW
●	RD
☆	ID
●	CH
●	IF
☆	WR
●	XS
●	GD
☆	RTK
☆	VTK
☆	TKD

Multi Storage Pantry 24" Wide



MSP242484 R or L
MSP242487 R or L
MSP242490 R or L
 † **MSP242493 R or L**
 † **MSP242496 R or L**

† Toe Kick Drawer (TKD) option **not** available

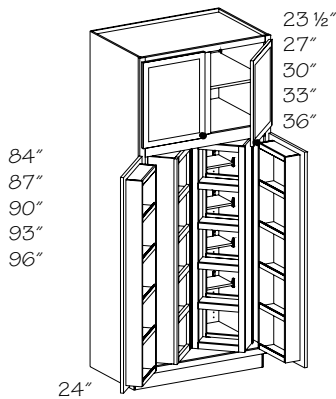


Caution! Cabinetry or other obstacles **cannot** protrude past the face frame on the non-hinged side of the cabinet. **Not** following this rule may result in improper function of the swing out unit

- Specify R or L for single door hinging
- Four 10 7/16" deep adjustable shelves in lower section
- One 4" deep door storage rack with five adjustable shelves
- One 6 1/2" deep double-sided swing-out storage rack with five adjustable shelves
- Includes adjustable shelves in upper section: 84" & 87" high—one shelf; 90" & 93" high—two shelves; 96" high—three shelves
- No center rail for Bristow, Caparo, Carlin, Coleson, Fallon, Gallina, Glencoe, Hincley, Hurley, Jade, Jarvis, Jennings, Ladon, Maxum, Rathbun, Riverside, Saline, Sawyer, Temorah, Vega and Winterport door styles or doors with glass inserts
- Toe kick is shipped separately on 93" & 96" high cabinets
- ☆ Toe Kick Drawer (TKD), Wide Bottom Rail (WR) and Recessed Toe Kick (RTK) **not** available on 93" & 96" high cabinets
- ☆ Glass doors available for top doors only
- ☆ Void Toe Kick (VTK) is **not** available on 93" and 96" high cabinets
- **Note:** Swing-out shelves operate within a 90° door opening

●	PE
●	APC
●	APFC
●	FPEB
●	MI
	DE
	OE
●	AD_E
	CW
	RD
	ID
●	CH
	IF
☆	WR
●	XS
☆	GD
☆	RTK
☆	VTK
☆	TKD

Multi Storage Pantry 36" Wide

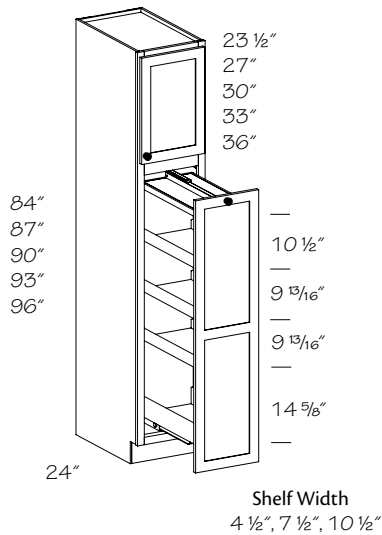


MSP362484
MSP362487
MSP362490
MSP362493
MSP362496

- Eight 7 1/8" deep adjustable shelves in lower section; four on each side of center partition
- Two 4" deep storage racks with five adjustable shelves
- Two 6 1/2" deep double-sided swing-out storage racks with five adjustable shelves
- Includes adjustable shelves in upper section: 84" & 87" high—one shelf; 90" & 93" high—two shelves; 96" high—three shelves
- No center rail for Bristow, Caparo, Carlin, Coleson, Fallon, Gallina, Glencoe, Hincley, Hurley, Jade, Jarvis, Jennings, Ladon, Maxum, Rathbun, Riverside, Saline, Sawyer, Temorah, Vega and Winterport door styles or doors with glass inserts
- Toe kick is shipped separately on 93" & 96" high cabinets
- ☆ Wide Bottom Rail (WR) and Recessed Toe Kick (RTK) **not** available on 93" & 96" high cabinets
- ☆ Glass doors available for top doors only
- ☆ Void Toe Kick (VTK) is **not** available on 93" and 96" high cabinets
- **Note:** Swing-out shelves operate within a 90° door opening

●	PE
●	APC
●	APFC
●	FPEB
●	MI
	DE
	OE
	AD_E
	CW
	RD
	ID
●	CH
	IF
☆	WR
●	XS
☆	GD
☆	RTK
☆	VTK
☆	TKD

Tall Pantry Pull-out



- 84" High
 *† **TPP92484 R or L**
TPP122484 R or L
TPP152484 R or L
- 87" High
 † **TPP92487 R or L**
TPP122487 R or L
TPP152487 R or L
- 90" High
 *† **TPP92490 R or L**
TPP122490 R or L
TPP152490 R or L
- 93" High
 †* **TPP92493 R or L**
TPP122493 R or L
TPP152493 R or L
- 96" High
 *† **TPP92496 R or L**
TPP122496 R or L
TPP152496 R or L

* Doors are square except full overlay arched door styles. Thermofoil doors will always be square. Vega doors will have a solid, recessed flat panel

† Toe Kick Drawer (TKD) option **not** available

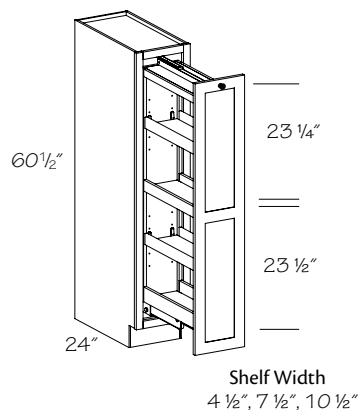
- Specify R or L for single door hinging
 - Two fixed shelves attached to center and bottom of bottom door
 - Two adjustable shelves
 - Pull-out shelves are 21 3/4" deep
 - Includes adjustable shelves in upper section: 84" & 87" high—one shelf; 90" & 93" high—two shelves; 96" high—three shelves
 - Unit slides on full extension side-mount runners
 - Toe kick is shipped separately on 93" & 96" high cabinets
- ☆ WR **not** available on 93" & 96" high cabinets
- ☆ Toe Kick Drawer (TKD) and Void Toe Kick (VTK) option are **not** available on 93" and 96" high cabinets



Remember to order a 3/16" skin (WSK) for the exposed ends of 93" & 96" high cabinets to conceal the seam between the loose toe kick and the cabinet.

●	PE
●	APC
●	APFC
●	FPEB
●	MI
●	DE
●	OE
●	AD_E
●	CW
●	RD
●	ID
●	CH
●	IF
☆	WR
●	XS
●	GD
●	RTK
☆	VTK
☆	TKD

Tall Pantry Pull-out 60 1/2" H



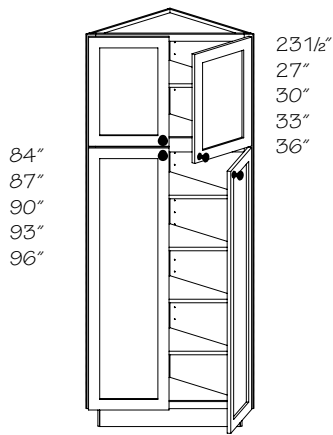
- * **TPP92460**
TPP122460
TPP152460

* Vega doors will have a solid, recessed flat panel

- Two fixed shelves attached to center and bottom of door
- Two adjustable shelves
- Pull-out shelves are 21 3/4" deep
- Unit slides on full extension side-mount runners
- All door styles furnished square
- No center rail for Caparo, Glencoe, Rathbun, Saline, Winterport Square, Winterport Arch door styles or doors with glass inserts

●	PE
●	APC
●	APFC
●	FPEB
●	MI
●	DE
●	OE
●	AD_E
●	CW
●	RD
●	ID
●	CH
●	IF
●	WR
●	XS
●	GD
●	RTK
●	VTK
●	TKD

Tall Corner Angle



TCA242484 BUTT
TCA242487 BUTT
TCA242490 BUTT
TCA242493 BUTT
TCA242496 BUTT

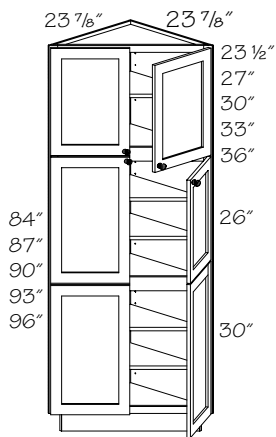
- Includes adjustable shelves in upper section: 84" & 87" high—one shelf; 90" & 93" high—two shelves; 96" high—three shelves
- Four adjustable bottom shelves; shipped separately
- No center rail for Bristow, Caparo, Carlin, Coleson, Fallon, Gallina, Glencoe, Hincley, Hurley, Jade, Jarvis, Jennings, Ladon, Maxum, Rathbun, Riverside, Saline, Sawyer, Temorah, Vega and Winterport door styles or doors with glass inserts
- Contrasting Back Options (CBEB, CPLB, CVGR) **not** available
- Can be installed on either right or left end
- Toe kick is shipped separately on 93" & 96" high cabinets
- Replacement shelf available; specify BCAS2424
- ☆ Void Toe Kick (VTK) is **not** available on 93" and 96" high cabinets

●	PE
●	APC
●	APFC
	FPEB
●	MI
	DE
	OE
	AD_E
	CW
	RD
	ID
●	CH
	IF
	WR
	XS
●	GD
	RTK
☆	VTK
	TKD



End panels are unfinished; cabinet is intended to be used with a Utility or Oven Cabinet. A panel **must** be used to cover the exposed side if installing without an adjacent tall cabinet.

Tall Corner Angle Stack



TCAST242484 BUTT
TCAST242487 BUTT
TCAST242490 BUTT
TCAST242493 BUTT
TCAST242496 BUTT

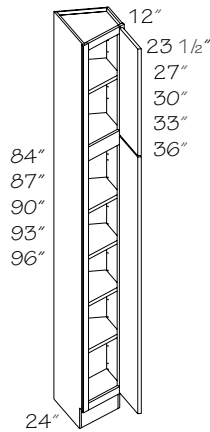
- Includes adjustable shelves in upper section: 84" & 87" high—one shelf; 90" & 93" high—two shelves; 96" high—three shelves
- Four adjustable bottom shelves; shipped separately
- Contrasting Back Options (CBEB, CPLB, CVGR) **not** available
- Can be installed on either right or left end
- Toe kick is shipped separately on 93" & 96" high cabinets
- Replacement shelf available; specify BCAS2424
- ☆ Change Height (CH) modifications will be made in the upper section
- ☆ Glass doors available for top section only
- ☆ Void Toe Kick (VTK) is **not** available on 93" and 96" high cabinets

●	PE
●	APC
●	APFC
	FPEB
●	MI
	DE
	OE
	AD_E
	CW
	RD
	ID
☆	CH
	IF
	WR
	XS
☆	GD
	RTK
☆	VTK
	TKD



End panels are unfinished; cabinet is intended to be used with a Utility or Oven Cabinet. A panel **must** be used to cover the exposed side if installing without an adjacent tall cabinet.

Tall End Angle

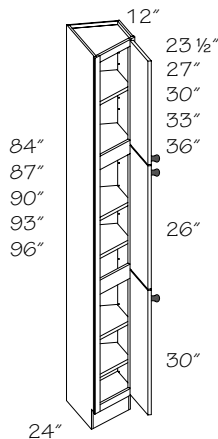


TEA122484 R or L
TEA122487 R or L
TEA122490 R or L
TEA122493 R or L
TEA122496 R or L

- Specify R or L for single door hinging
- Includes adjustable shelves in upper section: 84" & 87" high—one shelf; 90" & 93" high—two shelves; 96" high—three shelves
- Four adjustable bottom shelves; shipped separately
- No center rail for Caparo, Glencoe, Rathbun, Saline, Winterport Square, Winterport Arch door styles or doors with glass inserts
- Contrasting Back Options (CBEB, CPLB, CVGR) **not** available
- Toe kick is shipped separately on 93" & 96" high cabinets
- Replacement shelf available specify BEA12 R or L
- ☆ Integrated Decorative Ends available on 12" deep side only
- ☆ Minimum Reduced Depth (RD) is 18"
- ☆ Wide Rail Plain only (WR)
- ☆ Recessed Toe Kick (RTK) available hinge side only
- ☆ Void Toe Kick (VTK) is **not** available on 93" and 96" high cabinets
- **Note:** 24 in. end panels are unfinished; cabinet is intended to be used with a Utility or Oven Cabinet. A panel **must** be used to cover the exposed side if installing without an adjacent tall cabinet. 12 in. deep end panels are finished
- **Note:** Full overlay door styles use a 1/2" overlay hinge

●	PE
●	APC
●	APFC
●	FPEB
●	MI
☆	DE
	OE
●	AD_E
	CW
☆	RD
	ID
●	CH
	IF
☆	WR
	XS
●	GD
☆	RTK
●	VTK
	TKD

Tall End Angle Stack



TEAST122484 R or L
TEAST122487 R or L
TEAST122490 R or L
TEAST122493 R or L
TEAST122496 R or L

- Specify R or L for single door hinging
- Includes adjustable shelves in upper section: 84" & 87" high—one shelf; 90" & 93" high—two shelves; 96" high—three shelves
- Four adjustable bottom shelves; shipped separately
- Contrasting Back Options (CBEB, CPLB, CVGR) **not** available
- Toe kick is shipped separately on 93" & 96" high cabinets
- Replacement shelf available specify BEA12 R or L
- ☆ Integrated Decorative Ends available on 12" deep side only
- ☆ Minimum Reduced Depth (RD) is 18"
- ☆ Wide Rail Plain only (WR)
- ☆ Recessed Toe Kick (RTK) available hinge side only
- ☆ Glass doors available for top section only
- ☆ Change Height (CH) modifications will be made in the upper section
- ☆ Void Toe Kick (VTK) is **not** available on 93" and 96" high cabinets
- **Note:** 24 in. end panels are unfinished; cabinet is intended to be used with a Utility or Oven Cabinet. A panel **must** be used to cover the exposed side if installing without an adjacent tall cabinet. 12 in. deep end panels are finished
- **Note:** Full overlay door styles use a 1/2" overlay hinge

●	PE
●	APC
●	APFC
●	FPEB
●	MI
☆	DE
	OE
●	AD_E
	CW
☆	RD
	ID
☆	CH
	IF
☆	WR
	XS
☆	GD
☆	RTK
●	VTK
	TKD

Tall Appliance Cabinets

Construction Options and Modifications

PE	Plywood Ends
APC	All Plywood Construction
APFC	All Plywood Furniture Construction
FPEB	Furniture Plywood Ends
MI	Matching Interior
AD_E	Attached Decorative End
CW	Change Width
RD	Reduced Depth
ID	Increased Depth
CH	Change Height
IF	Inverted Frame
WR	Wide Bottom Rail
XS	Extended Stile
GD	Glass Doors
RTK	Recessed Toe Kick
VTK	Void Toe Kick
TKD	Toe Kick Drawer

OC	30	24	84
code	width	depth	height

- ❖ Included as standard
- Available with an upcharge
- ☆ Available with exceptions
- (Blank) **Not** available

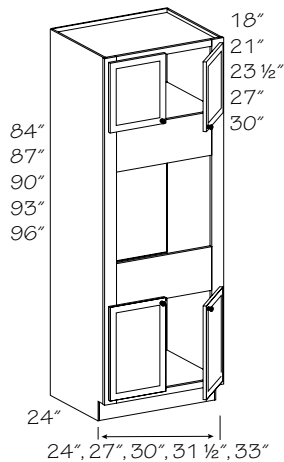
Note: Standard tall cabinet box depth is 12" or 24" unless stated otherwise. Add door thickness with bumpers for total depth.

Material dimensions listed may vary slightly from actual dimensions of the product.

Specifications subject to change without notice.

Note: Remember to remove the white plastic "feet" from the bottom of all tall cabinets before installation. Their sole purpose is to protect the floor after the cabinets are unboxed. Leaving them on will result in uneven installation.

Oven Cabinet—Single w/3" Stiles



- 84" High
 - ※○ **OC242484 (Butt)S**
 - OC272484 (Butt)S**
 - OC302484 (Butt)S**
 - OC312484 (Butt)S**
 - OC332484 BUTTS**
- 87" High
 - ※○ **OC242487 (Butt)S**
 - OC272487 (Butt)S**
 - OC302487 (Butt)S**
 - OC312487 (Butt)S**
 - OC332487 BUTTS**
- 90" High
 - ※○ **OC242490 (Butt)S**
 - OC272490 (Butt)S**
 - OC302490 (Butt)S**
 - OC312490 (Butt)S**
 - OC332490 BUTTS**
- 93" High
 - ※○ **OC242493 (Butt)S**
 - OC272493 (Butt)S**
 - OC302493 (Butt)S**
 - OC312493 (Butt)S**
 - OC332493 BUTTS**
- 96" High
 - ※○ **OC242496 (Butt)S**
 - OC272496 (Butt)S**
 - OC302496 (Butt)S**
 - OC312496 (Butt)S**
 - OC332496 BUTTS**

- ※ 1 1/2" stiles
- Change Width (CW) option **not** available

- Includes adjustable shelves in upper section: 84" & 87" high—no shelves; 90" & 93" high—one shelf; 96" high—two shelves
- Factory installed Roll-out Trays (ROT) are **not** available, except OC 24
- Oven Trim Kit (overlay panel) available for a full overlay look; see Tall Accessories section
- ☆ Change Height (CH) modifications will be made in the upper door section, appliance cutout dimensions are **not** affected
- ☆ Toe Kick Drawer (TKD), Wide Bottom Rail (WR) and Recessed Toe Kick (RTK) **not** available on 93" & 96" high cabinets
- ☆ Void Toe Kick (VTK) is **not** available on 93" and 96" high cabinets
- ☆ Glass on top and bottom - select glass designs only
- Roll-out Trays (ROT) are **not** available for 31 1/2" wide cabinets
- ☆ Maximum Increased Depth (ID) is 27"
- **Note:** When ordering glass doors in full overlay door styles, a portion of the 3" face frame will be visible



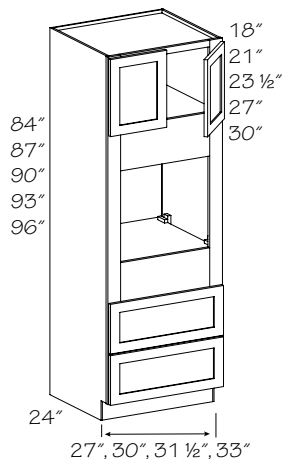
Remember to order a 3/16" skin (WSK) for the exposed ends of 93" & 96" high cabinets to conceal the seam between the loose toe kick and the cabinet.

●	PE
●	APC
●	APFC
●	FPEB
●	MI
●	AD_E
☆	CW
●	RD
☆	ID
☆	CH
	IF
☆	WR
●	XS
☆	GD
☆	RTK
☆	VTK
☆	TKD

Cut out dimensions

Cabinet Width	Min. Width	Max. Width	Min. Height	Max. Height
24"	21"	22"	21"	33 13/16"
27"	21"	25"	21"	33 13/16"
30"	24"	28"	21"	33 13/16"
31 1/2"	25 1/2"	29 1/2"	21"	33 13/16"
33"	27"	31"	21"	33 13/16"

Oven Cabinet—Single w/3" Stiles—Two Bottom Drawers



84" High

OC272484 (Butt)S.2D

OC302484 (Butt)S.2D

OC312484 (Butt)S.2D

OC332484 BUTTS.2D

87" High

OC272487 (Butt)S.2D

OC302487 (Butt)S.2D

OC312487 (Butt)S.2D

OC332487 BUTTS.2D

90" High

OC272490 (Butt)S.2D

OC302490 (Butt)S.2D

OC312490 (Butt)S.2D

OC332490 BUTTS.2D

93" High

OC272493 (Butt)S.2D

OC302493 (Butt)S.2D

OC312493 (Butt)S.2D

OC332493 BUTTS.2D

96" High

OC272496 (Butt)S.2D

OC302496 (Butt)S.2D

OC312496 (Butt)S.2D

OC332496 BUTTS.2D

Cut out dimensions

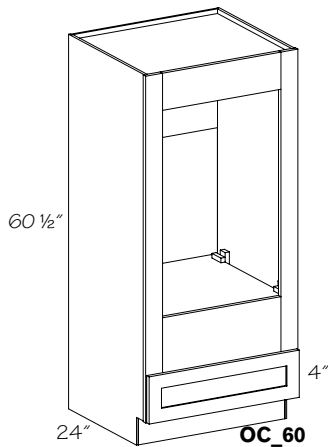
Cabinet Width	Min. Width	Max. Width	Min. Height	Max. Height
27"	21"	25"	21"	33 13/16"
30"	24"	28"	21"	33 13/16"
31 1/2"	25 1/2"	29 1/2"	21"	33 13/16"
33"	27"	31"	21"	33 13/16"

- PE
 - APC
 - APFC
 - FPFB
 - MI
 - AD_E
 - CW
 - RD
 - ☆ ID
 - ☆ CH
 - IF
 - ☆ WR
 - XS
 - ☆ GD
 - ☆ RTK
 - ☆ VTK
 - ☆ TKD
- Includes adjustable shelves in upper section: 84" high—no shelves; 87", 90" & 93" high—one shelf; 96" high—two shelves
 - Oven Trim Kit (overlay panel) available for a full overlay look; see Tall Accessories section
 - ☆ Change Height (CH) modifications will be made in the upper door section, appliance cutout dimensions are **not** affected
 - ☆ Toe Kick Drawer (TKD), Wide Bottom Rail (WR) and Recessed Toe Kick (RTK) **not** available on 93" & 96" high cabinets
 - ☆ Void Toe Kick (VTK) is **not** available on 93" and 96" high cabinets
 - Roll-out Trays (ROT) are **not** available for 31 1/2" wide cabinets
 - ☆ Maximum Increased Depth (ID) is 27"
 - ☆ Glass doors available for top doors only
 - **Note:** When ordering glass doors in full overlay door styles, a portion of the 3" face frame will be visible



Remember to order a 3/16" skin (WSK) for the exposed ends of 93" & 96" high cabinets to conceal the seam between the loose toe kick and the cabinet.

Oven Cabinet—Single Oven/Microwave Combination w/3" Stiles—Bottom Drawer



4" High Drawer

OC272460 (Butt)

OC302460 (Butt)

OC312460 (Butt)

OC332460

7" High Drawer

OC272460 (Butt).DD

OC302460 (Butt).DD

OC312460 (Butt).DD

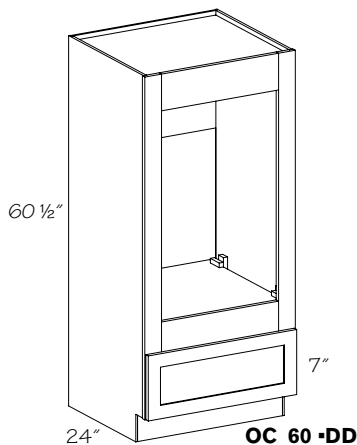
OC332460 .DD

- PE
 - APC
 - APFC
 - FPFB
 - MI
 - AD_E
 - ☆ CW
 - RD
 - ☆ ID
 - ☆ CH
 - IF
 - WR
 - XS
 - GD
 - RTK
 - VTK
 - TKD
- No shelf
 - Oven Trim Kit (overlay panel) available for a full overlay look; see Tall Accessories section
 - Double Oven Opening Kit (DOK) shelf available for two appliance installation; see Tall Accessories section
 - ☆ Change Height (CH) modifications will be made in the upper door section, appliance cutout dimensions are **not** affected
 - Roll-out Trays (ROT) are **not** available for 31 1/2" wide cabinets
 - ☆ Maximum Increased Depth (ID) is 27"



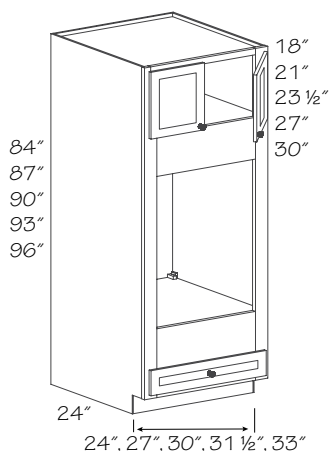
Remember to order a 3/16" skin (WSK) for the exposed ends of 93" & 96" high cabinets to conceal the seam between the loose toe kick and the cabinet.

Cut out dimensions



Cabinet Width	4" Bottom Drawer		7" Bottom Drawer	
	Min. Width	Max. Width	Min. Height	Max. Height
27"	21"	25"	33 1/2"	44"
30"	24"	28"	33 1/2"	44"
31 1/2"	25 1/2"	29 1/2"	33 1/2"	44"
33"	27"	31"	33 1/2"	44"

Oven Cabinet—Double w/3" Stiles



84" High
 *○ **OC242484 (Butt)D**
OC272484 (Butt)D
OC302484 (Butt)D
OC312484 (Butt)D
OC332484 BUTTD

87" High
 *○ **OC242487 (Butt)D**
OC272487 (Butt)D
OC302487 (Butt)D
OC312487 (Butt)D
OC332487 BUTTD

90" High
 *○ **OC242490 (Butt)D**
OC272490 (Butt)D
OC302490 (Butt)D
OC312490 (Butt)D
OC332490 BUTTD

- * 1 1/2" stiles
- Change Width (CW) option **not** available

93" High
 *○ **OC242493 (Butt)D**
OC272493 (Butt)D
OC302493 (Butt)D
OC312493 (Butt)D
OC332493 BUTTD

96" High
 *○ **OC242496 (Butt)D**
OC272496 (Butt)D
OC302496 (Butt)D
OC312496 (Butt)D
OC332496 BUTTD

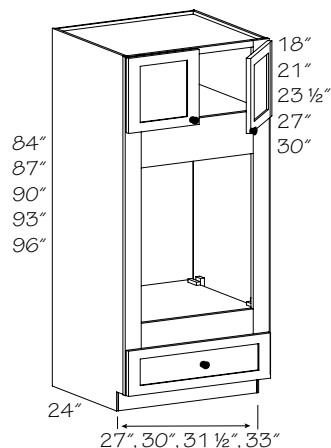
- Includes adjustable shelves in upper section: 84" & 87" high—no shelves; 90" & 93" high—one shelf; 96" high—two shelves
- Oven Trim Kit (overlay panel) available for a full overlay look; see Tall Accessories section
- Double Oven Opening Kit (DOK) shelf available for two appliance installation; see Tall Accessories section
- ☆ Change Height (CH) modifications will be made in the upper door section, appliance cutout dimensions are **not** affected
- ☆ Toe Kick Drawer (TKD), Wide Bottom Rail (WR) and Recessed Toe Kick (RTK) **not** available on 93" & 96" high cabinets
- Toe kick is shipped separately on 93" & 96" high cabinets
- ☆ Void Toe Kick (VTK) is **not** available on 93" and 96" high cabinets
- Roll-out Trays (ROT) are **not** available for 31 1/2" wide cabinets
- ☆ Maximum Increased Depth (ID) is 27"
- **Note:** When ordering glass doors in full overlay door styles, a portion of the 3" face frame will be visible

●	PE
●	APC
●	APFC
●	FPEB
●	MI
●	AD_E
☆	CW
●	RD
☆	ID
☆	CH
☆	IF
☆	WR
●	XS
●	GD
☆	RTK
☆	VTK
☆	TKD

Cut out dimensions

Cabinet Width	Min. Width	Max. Width	Min. Height	Max. Height
24"	21"	22"	36 1/2"	50"
27"	21"	25"	36 1/2"	50"
30"	24"	28"	36 1/2"	50"
31 1/2"	25 1/2"	29 1/2"	36 1/2"	50"
33"	27"	31"	36 1/2"	50"

Oven Cabinet—Double w/3" Stiles—Deep Drawer



84" High
OC272484 (Butt)D.DD
OC302484 (Butt)D.DD
OC312484 (Butt)D.DD
OC332484 BUTTD.DD

87" High
OC272487 (Butt)D.DD
OC302487 (Butt)D.DD
OC312487 (Butt)D.DD
OC332487 BUTTD.DD

90" High
OC272490 (Butt)D.DD
OC302490 (Butt)D.DD
OC312490 (Butt)D.DD
OC332490 BUTTD.DD

93" High
OC272493 (Butt)D.DD
OC302493 (Butt)D.DD
OC312493 (Butt)D.DD
OC332493 BUTTD.DD

96" High
OC272496 (Butt)D.DD
OC302496 (Butt)D.DD
OC312496 (Butt)D.DD
OC332496 BUTTD.DD

- Includes adjustable shelves in upper section: 84" high—no shelves; 87", 90" & 93" high—one shelf; 96" high—two shelves
- Oven Trim Kit (overlay panel) available for a full overlay look; see Tall Accessories section
- Double Oven Opening Kit (DOK) shelf available for two appliance installation; see Tall Accessories section
- ☆ Change Height (CH) modifications will be made in the upper door section, appliance cutout dimensions are **not** affected
- ☆ Toe Kick Drawer (TKD), Wide Bottom Rail (WR) and Recessed Toe Kick (RTK) **not** available on 93" & 96" high cabinets
- ☆ Void Toe Kick (VTK) is **not** available on 93" and 96" high cabinets
- Roll-out Trays (ROT) are **not** available for 31 1/2" wide cabinets
- ☆ Maximum Increased Depth (ID) is 27"
- ☆ Glass doors available for top doors only
- **Note:** When ordering glass doors in full overlay door styles, a portion of the 3" face frame will be visible

●	PE
●	APC
●	APFC
●	FPEB
●	MI
●	AD_E
●	CW
●	RD
☆	ID
☆	CH
☆	IF
☆	WR
●	XS
☆	GD
☆	RTK
☆	VTK
☆	TKD

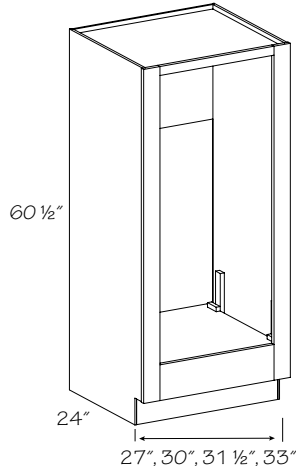
Cut out dimensions

Cabinet Width	Min. Width	Max. Width	Min. Height	Max. Height
27"	21"	25"	36 1/2"	47"
30"	24"	28"	36 1/2"	47"
31 1/2"	25 1/2"	29 1/2"	36 1/2"	47"
33"	27"	31"	36 1/2"	47"



Remember to order a 3/16" skin (WSK) for the exposed ends of 93" & 96" high cabinets to conceal the seam between the loose toe kick and the cabinet.

Oven Cabinet—Double Extended Opening w/3" Stiles



- 60 1/2" High
 ▲◆OC272460 DE
 ▲◆OC302460 DE
 ▲◆OC312460 DE
 ▲◆OC332460 DE

- 84" High
 OC272484 (Butt)DE
 OC302484 (Butt)DE
 OC312484 (Butt)DE
 OC332484 BUTTDE

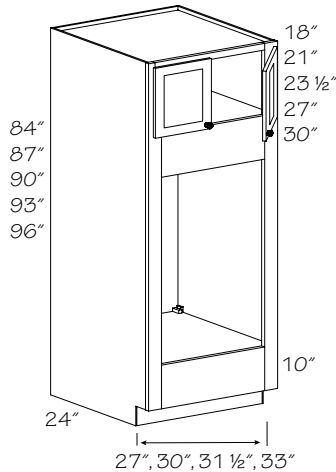
- 87" High
 OC272487 (Butt)DE
 OC302487 (Butt)DE
 OC312487 (Butt)DE
 OC332487 BUTTDE

- 90" High
 OC272490 (Butt)DE
 OC302490 (Butt)DE
 OC312490 (Butt)DE
 OC332490 BUTTDE

- 93" High
 OC272493 (Butt)DE
 OC302493 (Butt)DE
 OC312493 (Butt)DE
 OC332493 BUTTDE

- 96" High
 OC272496 (Butt)DE
 OC302496 (Butt)DE
 OC312496 (Butt)DE
 OC332496 BUTTDE

- ▲ Change Top Rail (CTR) is *not* available
 ◆ Glass door option *not* available



- Includes adjustable shelves in upper section: 60", 84" & 87" high—no shelves; 90" & 93" high—one shelf; 96" high—two shelves
- Double Oven Opening Kit (DOK) shelf available for two appliance installation; see Tall Accessories section
- Oven Trim Kit (overlay panel) available for a full overlay look; see Tall Accessories section
- ☆ Change Height (CH) modifications will be made in the upper door section, appliance cutout dimensions are *not* affected
- ☆ Toe Kick Drawer (TKD), Wide Bottom Rail (WR) and Recessed Toe Kick (RTK) *not* available on 93" & 96" high cabinets
- ☆ Toe kick is shipped separately on 93" & 96" high cabinets
- ☆ Void Toe Kick (VTK) is *not* available on 93" and 96" high cabinets
- Roll-out Trays (ROT) are *not* available for 31 1/2" wide cabinets
- ☆ Maximum Increased Depth (ID) is 27"
- Note:** When ordering glass doors in full overlay door styles, a portion of the 3" face frame will be visible



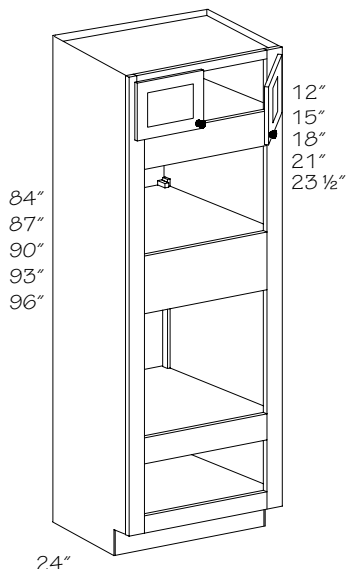
Remember to order a 3/16" skin (WSK) for the exposed ends of 93" & 96" high cabinets to conceal the seam between the loose toe kick and the cabinet.

●	PE
●	APC
●	APFC
●	FPEB
●	MI
●	AD_E
●	CW
●	RD
☆	ID
☆	CH
☆	IF
☆	WR
●	XS
●	GD
☆	RTK
☆	VTK
☆	TKD

Cut out dimensions

Cabinet Width	60" H Cabinet		84"-87" H Cabinet		90"+ H Cabinet	
	Min. Width	Max. Width	Min. Height	Max. Height	Min. Height	Max. Height
27"	21"	25"	48 1/2"	50 1/2"	43"	56 1/2"
30"	24"	28"	48 1/2"	50 1/2"	43"	56 1/2"
31 1/2"	25 1/2"	29 1/2"	48 1/2"	50 1/2"	43"	56 1/2"
33"	27"	31"	48 1/2"	50 1/2"	43"	56 1/2"
39"	33"	37"	48 1/2"	50 1/2"	43"	56 1/2"

Oven Cabinet-Combination w/3" Stiles



- | | |
|--|---|
| <p>84" High</p> <ul style="list-style-type: none"> □ OC272484 (Butt)C □ OC302484 (Butt)C □ OC312484 (Butt)C □ OC332484 BUTTC <p>87" High</p> <ul style="list-style-type: none"> □ OC272487 (Butt)C □ OC302487 (Butt)C □ OC312487 (Butt)C □ OC332487 BUTTC <p>90" High</p> <ul style="list-style-type: none"> □ OC272490 (Butt)C □ OC302490 (Butt)C □ OC312490 (Butt)C □ OC332490 BUTTC | <p>93" High</p> <ul style="list-style-type: none"> □ OC272493 (Butt)C □ OC302493 (Butt)C □ OC312493 (Butt)C □ OC332493 BUTTC <p>96" High</p> <ul style="list-style-type: none"> □ OC272496 (Butt)C □ OC302496 (Butt)C □ OC312496 (Butt)C □ OC332496 BUTTC |
|--|---|
- Change Height (CH) option **not** available

- Includes adjustable shelves in upper section: 84", 87" & 90" high—no shelves; 93" & 96" high—one shelf
- Back Options (BEB and VGRB) **not** available
- Contrasting Back Options (CBEB, CPLB, CVGR) **not** available
- Center 10" rail can be removed for double oven application
- ☆ Change Height (CH) modifications will be made in the upper door section, appliance cutout dimensions are **not** affected
- ☆ Toe Kick Drawer (TKD), Wide Bottom Rail (WR) and Recessed Toe Kick (RTK) **not** available on 93" & 96" high cabinets
- Toe kick is shipped separately on 93" & 96" high cabinets
- ☆ Void Toe Kick (VTK) is **not** available on 93" and 96" high cabinets
- Roll-out Trays (ROT) are **not** available for 31 1/2" wide cabinets
- ☆ Maximum Increased Depth (ID) is 27"
- **Note:** When ordering glass doors in full overlay door styles, a portion of the 3" face frame will be visible

PE
● APC
● APFC
❖ FPFB
● MI
● AD_E
● CW
● RD
☆ ID
☆ CH
IF
☆ WR
● XS
● GD
☆ RTK
☆ VTK
☆ TKD

Cut out dimensions

			Top		Center		Bottom	
Cabinet Width	Min. Width	Max. Width	Min. Height	Max. Height	Min. Height	Max. Height	Min. Height	Max. Height
27"	21"	25"	15"	24 1/2"	21 1/2"	27 1/2"	9"	13 1/2"
30"	24"	28"	15"	24 1/2"	21 1/2"	27 1/2"	9"	13 1/2"
31 1/2"	25 1/2"	29 1/2"	15"	24 1/2"	21 1/2"	27 1/2"	9"	13 1/2"
33"	27"	31"	15"	24 1/2"	21 1/2"	27 1/2"	9"	13 1/2"

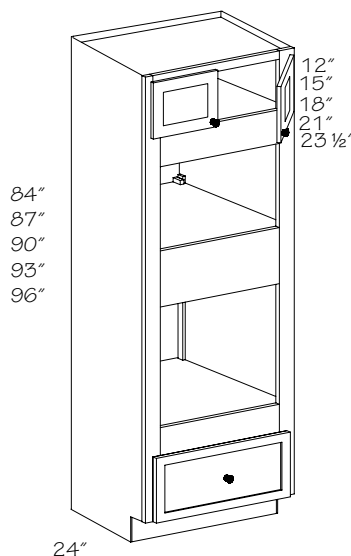


Best used for appliance combinations such as; microwave, single oven, and warming drawer or double oven and warming drawer



Remember to order a 3/16" skin (WSK) for the exposed ends of 93" & 96" high cabinets to conceal the seam between the loose toe kick and the cabinet. This cabinet has flush ends, therefore, Transition Molding (TRM8 or TTRM8) must be used in the application process of a Wood Skin (WSK)

Oven Cabinet-Combination w/Bottom Drawer



- | | |
|--|---|
| <p>84" High</p> <ul style="list-style-type: none"> ■ OC272484 (Butt)C.D ■ OC302484 (Butt)C.D ■ OC312484 (Butt)C.D ■ OC332484 BUTTC.D <p>87" High</p> <ul style="list-style-type: none"> ■ OC272487 (Butt)C.D ■ OC302487 (Butt)C.D ■ OC312487 (Butt)C.D ■ OC332487 BUTTC.D <p>90" High</p> <ul style="list-style-type: none"> ■ OC272490 (Butt)C.D ■ OC302490 (Butt)C.D ■ OC312490 (Butt)C.D ■ OC332490 BUTTC.D | <p>93" High</p> <ul style="list-style-type: none"> ■ OC272493 (Butt)C.D ■ OC302493 (Butt)C.D ■ OC312493 (Butt)C.D ■ OC332493 BUTTC.D <p>96" High</p> <ul style="list-style-type: none"> ■ OC272496 (Butt)C.D ■ OC302496 (Butt)C.D ■ OC312496 (Butt)C.D ■ OC332496 BUTTC.D |
|--|---|
- Change Height (CH) option **not** available

- Includes adjustable shelves in upper section: 84", 87" & 90" high—no shelves; 93" & 96" high—one shelf
- Back Options (BEB and VGRB) **not** available
- Contrasting Back Options (CBEB, CPLB, CVGR) **not** available
- Drawer height is 7"
- Center 10" rail can be removed for double oven application
- ☆ Change Height (CH) modifications will be made in the upper door section, appliance cutout dimensions are **not** affected
- ☆ Toe Kick Drawer (TKD), Wide Bottom Rail (WR) and Recessed Toe Kick (RTK) **not** available on 93" & 96" high cabinets
- Toe kick is shipped separately on 93" & 96" high cabinets
- Void Toe Kick (VTK) is **not** available on 93" and 96" high cabinets
- Roll-out Trays (ROT) are **not** available for 31 1/2" wide cabinets
- Maximum Increased Depth (ID) is 27"
- **Note:** When ordering glass doors in full overlay door styles, a portion of the 3" face frame will be visible

● PE
● APC
● APFC
❖ FPFB
● MI
● AD_E
● CW
● RD
● ID
☆ CH
IF
☆ WR
● XS
● GD
☆ RTK
☆ VTK
☆ TKD

Cut out dimensions

			Top	
Cabinet Width	Min. Width	Max. Width	Min. Height	Max. Height
27"	21"	25"	15"	24 1/2"
30"	24"	28"	15"	24 1/2"
31 1/2"	25 1/2"	29 1/2"	15"	24 1/2"
33"	27"	31"	15"	24 1/2"

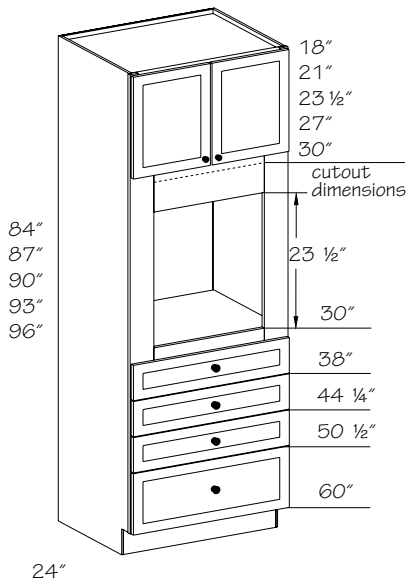


Best used for appliance combinations such as; microwave and single oven.



Remember to order a 3/16" skin (WSK) for the exposed ends of 93" & 96" high cabinets to conceal the seam between the loose toe kick and the cabinet. This cabinet has flush ends, therefore, Transition Molding (TRM8 or TTRM8) must be used in the application process of a Wood Skin (WSK)

Oven Cabinet—Universal



- 84" High
- ◆ **OC272484 (Butt)U**
 - ▲ **OC302484 BUTTU**
 - ▲ **OC332484 BUTTU**
- 87" High
- ◆ **OC272487 (Butt)U**
 - ▲ **OC302487 BUTTU**
 - ▲ **OC332487 BUTTU**
- 90" High
- ◆ **OC272490 (Butt)U**
 - ▲ **OC302490 BUTTU**
 - ▲ **OC332490 BUTTU**
- 93" High
- ◆ **OC272493 (Butt)U**
 - ▲ **OC302493 BUTTU**
 - ▲ **OC332493 BUTTU**
- 96" High
- ◆ **OC272496 (Butt)U**
 - ▲ **OC302496 BUTTU**
 - ▲ **OC332496 BUTTU**

- Includes adjustable shelves in upper section: 84" & 87" high—no shelves; 90" & 93" high—one shelf; 96" high—two shelves
- Adjustable floor
- Three standard height drawers
- Drawers are removable to accommodate increased oven height
- Oven Trim Kit (overlay panel) available for a full overlay look; see Tall Accessories section
- ☆ Change Height (CH) modifications will be made in the upper door section, appliance cutout dimensions are **not** affected
- ☆ Toe Kick Drawer (TKD), Wide Bottom Rail (WR) and Recessed Toe Kick (RTK) **not** available on 93" & 96" high cabinets
- Toe kick is shipped separately on 93" & 96" high cabinets
- ☆ Void Toe Kick (VTK) is **not** available on 93" and 96" high cabinets
- One deep drawer
- Oven cutout requirements **must** be 1 1/2" less than maximum allowable cutout in order to use Oven Trim Kit (OTK)
- ☆ Maximum Increased Depth (ID) is 27"

●	PE
●	APC
●	APFC
●	FPEB
●	MI
●	AD_E
●	CW
●	RD
☆	ID
☆	CH
☆	IF
☆	WR
●	XS
●	GD
☆	RTK
☆	VTK
☆	TKD

Cut out dimensions

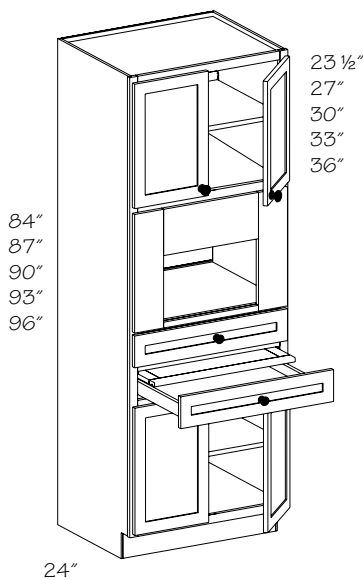
Cabinet Width	Min. Width	Max. Width	Min. Height	1/2" Overlay		Full Overlay
				Min. Height	Max. Height	Max. Height
27"	21"	25"	23 1/2"	31"	31"	30"
30"	21"	28"	23 1/2"	31"	31"	30"
33"	24"	31"	23 1/2"	31"	31"	30"

- ◆ 3" stiles
- ▲ 4 1/2" stiles routed to 1 1/2" in the door area



Most major appliance manufacturers will tell you that their 27" wide ovens will fit into a 27" oven cabinet and their 30" wide ovens will fit into a 30" cabinet. In most cases this is true. However, the look this creates may **not** be appealing because the stiles will be concealed by the appliance. To solve this problem, you can order a 30" oven cabinet for a 27" oven and a 33" oven cabinet for a 30" oven, etc.

Microwave Cooking Center



- 84" High
- ◆ **MCC272484 (Butt)**
 - ▲ **MCC302484 BUTT**
- 87" High
- ◆ **MCC272487 (Butt)**
 - ▲ **MCC302487 BUTT**
- 90" High
- ◆ **MCC272490 (Butt)**
 - ▲ **MCC302490 BUTT**
- 93" High
- ◆ **MCC272493 (Butt)**
 - ▲ **MCC302493 BUTT**
- 96" High
- ◆ **MCC272496 (Butt)**
 - ▲ **MCC302496 BUTT**

- One adjustable shelf in lower section
- One standard drawer and one cutting center
- Includes adjustable shelves in upper section: 84" & 87" high—one shelf; 90" & 93" high—two shelves; 96" high—three shelves
- Pull-out cutting board installed
- Top drawer is slab in all full overlay door styles except Martel
- ☆ Change Height (CH) modifications will be made in the upper door section, appliance cutout dimensions are **not** affected
- ☆ Toe Kick Drawer (TKD), Wide Bottom Rail (WR) and Recessed Toe Kick (RTK) **not** available on 93" & 96" high cabinets
- ☆ Void Toe Kick (VTK) is **not** available on 93" and 96" high cabinets
- ☆ Glass on top and bottom - select glass designs only
- Toe kick is shipped separately on 93" & 96" high cabinets

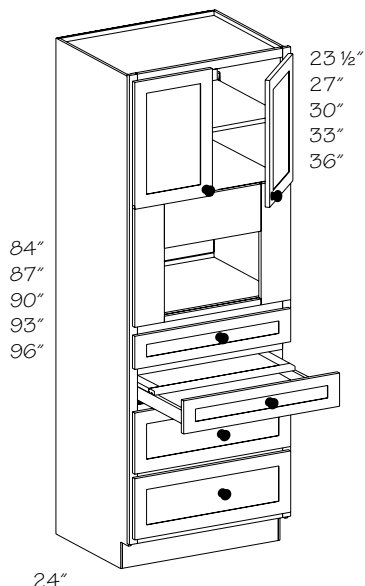
●	PE
●	APC
●	APFC
●	FPEB
●	MI
●	AD_E
●	CW
●	RD
☆	ID
☆	CH
☆	IF
☆	WR
●	XS
●	GD
☆	RTK
☆	VTK
☆	TKD



Remember to order a 3/16" skin (WSK) for the exposed ends of 93" & 96" high cabinets to conceal the seam between the loose toe kick and the cabinet.

Cabinet	1/2" Overlay				Full Overlay							
	Cut out dimensions		Yoke sizes		Cut out dimensions		Yoke sizes					
	Min. Width	Max. Width	Min. Height	Max. Height	Yoke Width	Yoke Height	Min. Width	Max. Width	Min. Height	Max. Height	Yoke Width	Yoke Height
MCC272484	14"	22"	11 1/2"	17 1/2"	25"	20 1/2"	15 5/8"	23 5/8"	11 5/8"	18 1/8"	26 5/8"	21 1/8"
MCC272487/90/93/96	14"	22"	11"	17"	25"	20"	15 5/8"	23 5/8"	11 3/8"	17 7/8"	26 5/8"	20 7/8"
MCC302484	17"	25"	11 1/2"	17 1/2"	28"	20 1/2"	18 5/8"	26 5/8"	11 5/8"	18 1/8"	29 5/8"	21 1/8"
MCC302487/90/93/96	17"	25"	11"	17"	28"	20"	18 5/8"	26 5/8"	11 3/8"	17 7/8"	29 5/8"	20 7/8"

Microwave Cooking Center w/Drawer Storage



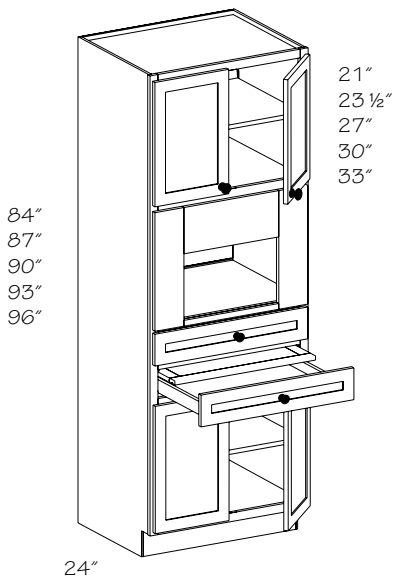
- 84" High
MCCD272484 (Butt)
MCCD302484 BUTT
- 87" High
MCCD272487 (Butt)
MCCD302487 BUTT
- 90" High
MCCD272490 (Butt)
MCCD302490 BUTT
- 93" High
MCCD272493 (Butt)
MCCD302493 BUTT
- 96" High
MCCD272496 (Butt)
MCCD302496 BUTT

- Two 7" deep drawers, one 2 1/4" drawer with Cutting Center (CC) above, and one standard 4" drawer
- Includes adjustable shelves in upper section: 84" & 87" high—one shelf; 90" & 93" high—two shelves; 96" high—three shelves
- ☆ Change Height (CH) modifications will be made in the upper door section, appliance cutout dimensions are **not** affected
- ☆ Toe Kick Drawer (TKD), Wide Bottom Rail (WR) and Recessed Toe Kick (RTK) **not** available on 93" & 96" high cabinets
- ☆ Void Toe Kick (VTK) is **not** available on 93" and 96" high cabinets
- Toe kick is shipped separately on 93" & 96" high cabinets

●	PE
●	APC
●	APFC
●	FPEB
●	MI
●	AD_E
	CW
	RD
	ID
☆	CH
	IF
☆	WR
●	XS
●	GD
☆	RTK
☆	VTK
☆	TKD

Cabinet	1/2" Overlay						Full Overlay					
	Cut out dimensions				Yoke sizes		Cut out dimensions				Yoke sizes	
	Min. Width	Max. Width	Min. Height	Max. Height	Yoke Width	Yoke Height	Min. Width	Max. Width	Min. Height	Max. Height	Yoke Width	Yoke Height
MCCD272484	14"	22"	11 1/2"	17 1/2"	25"	18 1/2"	15 5/8"	23 5/8"	11 5/8"	18 1/8"	26 5/8"	21 1/8"
MCCD272487/90/93/96	14"	22"	11"	17"	25"	18"	15 5/8"	23 5/8"	11 3/8"	17 7/8"	26 5/8"	20 7/8"
MCCD302484	17"	25"	11 1/2"	17 1/2"	28"	18 1/2"	18 5/8"	26 5/8"	11 5/8"	18 1/8"	29 5/8"	21 1/8"
MCCD302487/90/93/96	17"	25"	11"	17"	28"	18"	18 5/8"	26 5/8"	11 3/8"	17 7/8"	29 5/8"	20 7/8"


Microwave Cooking Center—Extended Opening



- Opening Trimmable to: 22" x 21 1/2"
MCCE272484 (Butt)
MCCE272487 (Butt)
MCCE272490 (Butt)
MCCE272493 (Butt)
MCCE272496 (Butt)
- Opening Trimmable to: 25" x 21 1/2"
MCCE302484 BUTT
MCCE302487 BUTT
MCCE302490 BUTT
MCCE302493 BUTT
MCCE302496 BUTT

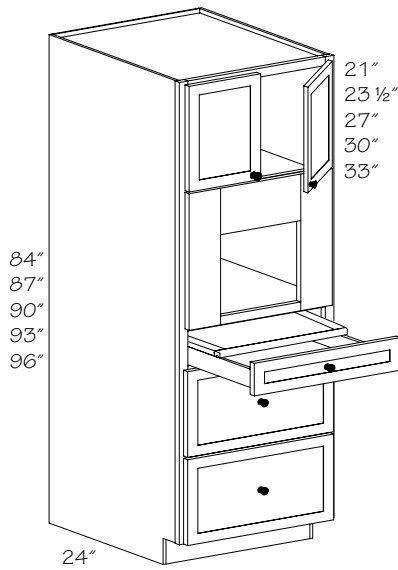
- One adjustable shelf in lower section
- One standard drawer and one cutting center
- Includes adjustable shelves in upper section: 84" & 87" high—one shelf; 90" & 93" high—two shelves; 96" high—three shelves
- Pull-out cutting board installed
- Top drawer is slab in all full overlay door styles except Martel
- ☆ Toe Kick Drawer (TKD), Wide Bottom Rail (WR) and Recessed Toe Kick (RTK) **not** available on 93" & 96" high cabinets
- ☆ Change Height (CH) modifications will be made in the upper door section, appliance cutout dimensions are **not** affected
- ☆ Void Toe Kick (VTK) is **not** available on 93" and 96" high cabinets
- Toe kick is shipped separately on 93" & 96" high cabinets
- ☆ Glass on top and bottom - select glass designs only

●	PE
●	APC
●	APFC
●	FPEB
●	MI
●	AD_E
	CW
	RD
	ID
☆	CH
	IF
☆	WR
●	XS
☆	GD
☆	RTK
☆	VTK
☆	TKD

 Remember to order a 3/16" skin (WSK) for the exposed ends of 93" & 96" high cabinets to conceal the seam between the loose toe kick and the cabinet.

Cabinet	1/2" Overlay						Full Overlay					
	Cut out dimensions				Yoke sizes		Cut out dimensions				Yoke sizes	
	Min. Width	Max. Width	Min. Height	Max. Height	Yoke Width	Yoke Height	Min. Width	Max. Width	Min. Height	Max. Height	Yoke Width	Yoke Height
MCCE272484	18"	22"	15 1/16"	17"	25"	24"	19 5/8"	23 5/8"	15 1/16"	17"	26 5/8"	24"
MCCE272487	18"	22"	14 9/16"	16 1/2"	25"	23 1/2"	19 5/8"	23 5/8"	15 9/16"	17 1/2"	26 5/8"	24 1/2"
MCCE272490/93	18"	22"	14 9/16"	16 1/2"	25"	23 1/2"	19 5/8"	23 5/8"	15 1/16"	17"	26 5/8"	24"
MCCE272496	18"	22"	14 9/16"	16 1/2"	25"	23 1/2"	19 5/8"	23 5/8"	14 11/16"	16 5/8"	26 5/8"	23 5/8"
MCCE302484	21"	25"	15 1/16"	16 1/2"	28"	24"	22 5/8"	26 5/8"	15 1/16"	17"	29 5/8"	24"
MCCE302487	21"	25"	14 9/16"	17"	28"	23 1/2"	22 5/8"	26 5/8"	15 9/16"	17 1/2"	29 5/8"	24 1/2"
MCCE302490/93	21"	25"	14 9/16"	16 1/2"	28"	23 1/2"	22 5/8"	26 5/8"	15 1/16"	17"	29 5/8"	24"
MCCE302496	21"	25"	14 9/16"	16 1/2"	28"	23 1/2"	22 5/8"	26 5/8"	14 11/16"	16 5/8"	29 5/8"	23 5/8"

Microwave Cooking Center w/Drawer Storage–Extended Opening



Opening Trimmable to: 22" x 19 1/2"

MCCDE272484 (Butt)

MCCDE272487 (Butt)

MCCDE272490 (Butt)

MCCDE272493 (Butt)

MCCDE272496 (Butt)

Opening Trimmable to: 25" x 19 1/2"

MCCDE302484 BUTT

MCCDE302487 BUTT

MCCDE302490 BUTT

MCCDE302493 BUTT

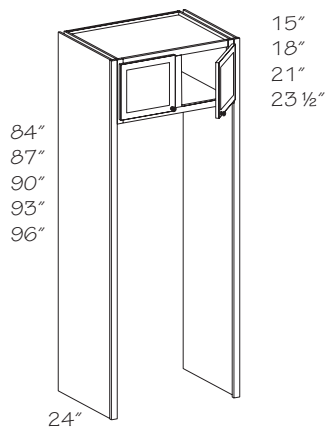
MCCDE302496 BUTT

- Two 7" deep drawers, one 2 1/4" drawer with Cutting Center (CC) above
- Includes adjustable shelves in upper section: 84" & 87" high—one shelf; 90" & 93" high—two shelves; 96" high—three shelves
- ☆ Toe Kick Drawer (TKD), Wide Bottom Rail (WR) and Recessed Toe Kick (RTK) *not* available on 93" & 96" high cabinets
- ☆ Void Toe Kick (VTK) is *not* available on 93" and 96" high cabinets
- Toe kick is shipped separately on 93" & 96" high cabinets
- ☆ Change Height (CH) modifications will be made in the upper door section, appliance cutout dimensions are *not* affected

●	PE
●	APC
●	APFC
●	FPEB
●	MI
●	AD_E
	CW
	RD
	ID
☆	CH
	IF
☆	WR
●	XS
●	GD
☆	RTK
☆	VTK
☆	TKD

Cabinet	1/2" Overlay						Full Overlay					
	Cut out dimensions				Yoke sizes		Cut out dimensions				Yoke sizes	
	Min. Width	Max. Width	Min. Height	Max. Height	Yoke Width	Yoke Height	Min. Width	Max. Width	Min. Height	Max. Height	Yoke Width	Yoke Height
MCCDE272484	14"	22"	11"	17 1/2"	25"	20 1/2"	15 5/8"	23 5/8"	12 1/8"	19 3/8"	26 5/8"	21 5/8"
MCCDE272487/90/93/96	14"	22"	10 1/4"	16 3/4"	25"	19 3/4"	15 5/8"	23 5/8"	12 1/8"	18 7/8"	26 5/8"	21 5/8"
MCCDE302484	17"	25"	11"	17 1/2"	28"	20 1/2"	18 5/8"	26 5/8"	12 1/8"	19 3/8"	29 5/8"	21 5/8"
MCCDE302487/90/93/96	17"	25"	10 1/4"	16 3/4"	28"	19 3/4"	18 5/8"	26 5/8"	12 1/8"	18 7/8"	29 5/8"	21 5/8"

Refrigerator Tall Cabinet

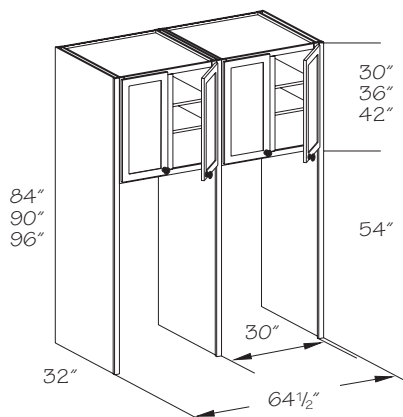


84" High	RTC332484 BUTT	30" x 69"
	RTC362484 BUTT	33" x 69"
	RTC392484 BUTT	36" x 69"
87" High	RTC332487 BUTT	30" X 72"
	RTC362487 BUTT	33" X 72"
	RTC392487 BUTT	36" X 72"
90" High	RTC332490 BUTT	30" x 72"
	RTC362490 BUTT	33" x 72"
	RTC392490 BUTT	36" x 72"
93" High	RTC332493 BUTT	30" x 72"
	RTC362493 BUTT	33" x 72"
	RTC392493 BUTT	36" x 72"
96" High	RTC332496 BUTT	30" x 72 1/2"
	RTC362496 BUTT	33" x 72 1/2"
	RTC392496 BUTT	36" x 72 1/2"

- One adjustable shelf included in 96" high cabinets
- Interior of end panels is Natural Birch printed wood grain laminate
- ☆ Maximum Increased Depth (ID) is 27"
- Shipped in two packages

● PE
● APC
● APFC
● FPEB
☆ MI
AD_E
CW
● RD
☆ ID
CH
IF
WR
XS
● GD
RTK
VTK
TKD

Fabric Care Ensemble

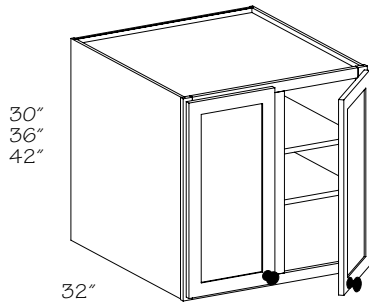


Two Shelves	FCE653284
84" High	
Three Shelves	FCE653290
90" High	
Three Shelves	FCE653296
96" High	

- All components shipped separately
- **Not** for use as a freestanding unit
- **Not** available with Mullion Strip Wall (MSW)

● PE
● APC
● APFC
● FPEB
● MI
AD_E
CW
RD
ID
CH
IF
WR
XS
GD
RTK
VTK
TKD

Fabric Care Ensemble Cabinet



Two Shelves

FCEC303230 K 30" High

Three Shelves

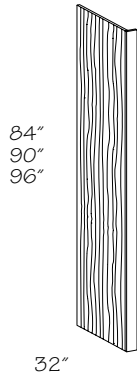
FCEC303236 K 36" High

FCEC303242 K 42" High

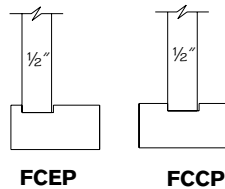
- Fabric Care Ensemble Cabinets (FCEC) are for the Fabric Care Ensemble ONLY
- **Must** be installed as part of the Fabric Care Ensemble for warranty coverage
- **Not** available with Mullion Strip Wall (MSW)

●	PE
●	APC
●	APFC
●	FPEB
●	MI
	AD_E
	CW
●	RD
	ID
	CH
	IF
	WR
	XS
●	GD
	RTK
	VTK
	TKD

Fabric Care Ensemble Panels



32"



FCEP

FCCP

Center Panel

FCCP1 1/2.84 84" High

FCCP1 1/2.90 90" High

FCCP1 1/2.96 96" High

End Panel

FCEP1 1/2.84 84" High

FCEP1 1/2.90 90" High

FCEP1 1/2.96 96" High

- Printed wood grain laminate panels
- Painted hardwood supplied for EverCore®

●	PE
●	APC
●	APFC
●	FPEB
❖	MI
	AD_E
	CW
●	RD
	ID
	CH
	IF
	WR
	XS
	GD
	RTK
	VTK
	TKD

Tall Cabinet Accessories

Construction Options and Modifications

PE	Plywood Ends
APC	All Plywood Construction
APFC	All Plywood Furniture Construction
FPEB	Furniture Plywood Ends
MI	Matching Interior
CW	Change Width
RD	Reduced Depth
ID	Increased Depth
CH	Change Height
WR	Wide Bottom Rail

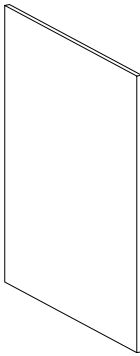
RTFC	3	15	84
code	width	depth	height

- ❖ Included as standard
- Available with an upcharge
- ☆ Available with exceptions
- (Blank) **Not** available

Material dimensions listed may vary slightly from actual dimensions of the product.

Specifications subject to change without notice.

Oven Trim Kit



<i>For OC_D</i>	<i>Width x Height</i>
OTK24 D	23 5/8" x 53 1/8"
OTK27 D	26 5/8" x 53 1/8"
OTK30 D	29 5/8" x 53 1/8"
OTK31 D	30 1/8" x 53 1/8"
OTK33 D	32 5/8" x 53 1/8"

<i>For OC_DE & OC_U</i>	<i>Width x Height</i>
OTK24 DE	23 5/8" x 60 5/8"
OTK27 DE	26 5/8" x 60 5/8"
OTK30 DE	29 5/8" x 60 5/8"
OTK31 DE	30 1/8" x 60 5/8"
OTK33 DE	32 5/8" x 60 5/8"

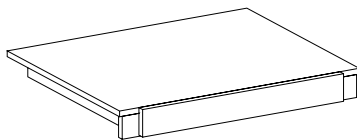
<i>For OC_S & OC_2D</i>	<i>Width x Height</i>
OTK24 S	23 5/8" x 32 5/8"
OTK27 S	26 5/8" x 32 5/8"
OTK30 S	29 5/8" x 32 5/8"
OTK31 S	30 1/8" x 32 5/8"
OTK33 S	32 5/8" x 32 5/8"
OTK39 S	38 5/8" x 32 5/8"

<i>For OC_DD</i>	<i>Width x Height</i>
OTK24 DD	23 5/8" x 50 1/8"
OTK27 DD	26 5/8" x 50 1/8"
OTK30 DD	29 5/8" x 50 1/8"
OTK31 DD	31 1/8" x 50 1/8"
OTK33 DD	32 5/8" x 50 1/8"

- 5/8" wood veneer construction except for Wood-Grain Foil door styles, which will have 3/4" wood veneer construction; **not** available in plywood
- Oven Trim Kits (OTK) will be supplied in plain-sawn material for Quartersawn door styles
- Painted hardwood supplied for EverCore®
- Wood-Grain Foil door styles default to vertical design slab
- Front and back sides are finished
- Edgebanded all four sides
- 3/4" Thick for Wood-Grain Foil
- 3/4" quartersawn panel supplied for Crafted Doors

PE
APC
APFC
FPEB
MI
CW
RD
ID
CH
WR

Double Oven Opening Kit

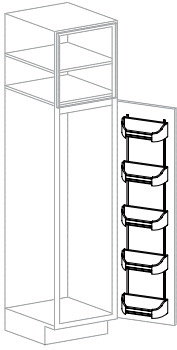


- DOK24**
- DOK27**
- DOK30**
- DOK31**
- DOK33**

- Includes 1/2" printed wood grain laminate clad shelf with 3/4" Pine mounting supports and 3" wide 3/4" solid wood center rail to match cabinet exterior
- For installing two appliances in one oven cabinet
- Painted hardwood supplied for EverCore®

PE
● APC
APFC
FPEB
MI
CW
RD
ID
CH
WR

Wood Tall Door Storage Kit

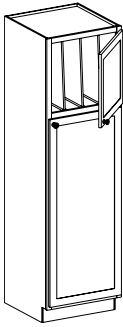


- WTDSK15** for U1524 5 - 10 3/4" wide shelves
WTDSK18 for U1824 5 - 13 3/4" wide shelves
WTDSK24 for U2424 5 - 19 3/4" wide shelves

- Three 5/8" deep maple trays with chrome rails attached to 46" long metal ladders
- Tray location is adjustable
- Field installation on full overlay raised panel door styles and slab door styles only

PE
APC
APFC
FPEB
MI
CW
RD
ID
CH
WR

Tray Dividers–Tall

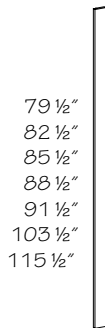


- 1TD**
2TD
3TD
4TD
5TD
6TD

- 1/2" Natural Birch printed wood grain laminate
- Available factory installed for 24" deep cabinets only
- Installed in wood or plastic U-channels
- Shelves are eliminated when this option is selected
- Specify quantity and location
- Tray Dividers (TD) are installed in the top section of Utility Stack (UST) cabinets
- Order Example: U242484-3TD (spaced evenly)

PE
APC
APFC
FPEB
MI
CW
RD
ID
CH
WR

Tall Filler

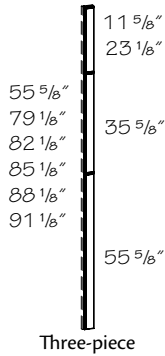
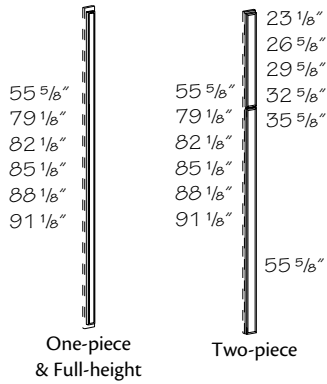


- | | |
|---------------|----------------|
| 84" High | 96" High |
| TF3.84 | TF3.96 |
| TF6.84 | TF6.96 |
| 87" High | 108" High |
| TF3.87 | TF3.108 |
| TF6.87 | TF6.108 |
| 90" High | 120" High |
| TF3.90 | TF3.120 |
| TF6.90 | TF6.120 |
| 93" High | |
| TF3.93 | |
| TF6.93 | |

- 3/4" thick solid wood
- Finished one side only
- Quartersawn door styles are supplied plain sawn
- Painted hardwood supplied for EverCore®
- Painted or Stained hardwood supplied for Wood-Grain Foil door styles
- No toe kick

PE
APC
APFC
FPEB
MI
CW
RD
ID
CH
WR

Tall Filler Overlay



One-piece

- TFOL3.60**
 - TFOL6.60**
- Two-piece*
- TFOL3.84**
 - TFOL6.84**
 - TFOL3.87**
 - TFOL6.87**
 - TFOL3.90**
 - TFOL6.90**
 - TFOL3.93**
 - TFOL6.93**
 - TFOL3.96**
 - TFOL6.96**

Full Height

- * **TFOL3.84.FH**
- * **TFOL6.84.FH**
- * **TFOL3.87.FH**
- * **TFOL6.87.FH**
- * **TFOL3.90.FH**
- * **TFOL6.90.FH**
- * **TFOL3.93.FH**
- * **TFOL6.93.FH**
- * **TFOL3.96.FH**
- * **TFOL6.96.FH**

Three-piece

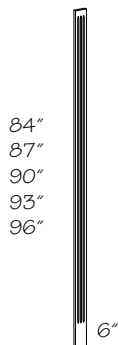
- TFOL3.108**
- TFOL6.108**
- TFOL3.120**
- TFOL6.120**

* **Not** available in Thermofoil or Wood-Grain Foil door styles; available in High-Gloss Foil door styles

- Available in full overlay door styles and select sizes available in 1/2" overlay
- Available in High-Gloss Foil finish except three-piece models
- Filler overlay has routed door profile and is made from the same material as doors and drawer fronts
- Filler ordered separately
- Thermofoils are painted hardwood

PE
APC
APFC
FPEB
MI
CW
RD
ID
CH
WR

Tall Fluted Filler



84" High

- TFF3.84**
- TFF6.84**

87" High

- TFF3.87**
- TFF6.87**

90" High

- TFF3.90**
- TFF6.90**

93" High

- TFF3.93**
- TFF6.93**

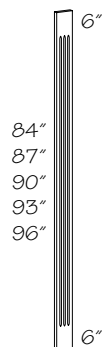
96" High

- TFF3.96**
- TFF6.96**

- 3/4" thick solid wood
- Painted or Stained hardwood supplied for Wood-Grain Foil door styles
- Quartersawn door styles are supplied plain sawn

PE
APC
APFC
FPEB
MI
CW
RD
ID
CH
WR

Plain Capital Tall Fluted Filler



84" High

- PCTFF3.84**
- PCTFF6.84**

87" High

- PCTFF3.87**
- PCTFF6.87**

90" High

- PCTFF3.90**
- PCTFF6.90**

93" High

- PCTFF3.93**
- PCTFF6.93**

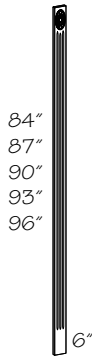
96" High

- PCTFF3.96**
- PCTFF6.96**

- 3/4" thick solid wood
- Painted or Stained hardwood supplied for Wood-Grain Foil door styles
- Quartersawn door styles are supplied plain sawn

PE
APC
APFC
FPEB
MI
CW
RD
ID
CH
WR

Rosette Tall Fluted Filler

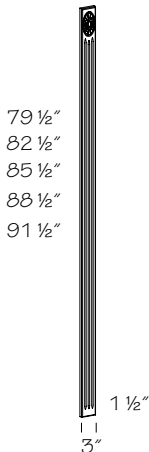


RTFF3.84
RTFF3.87
RTFF3.90
RTFF3.93
RTFF3.96

- 3/4" thick solid wood
- Applied decorative rosette
- Quartersawn door styles are supplied plain sawn
- **Not** available in Rustic Alder, High-Gloss Foil or Wood-Grain Foil door styles

PE
APC
APFC
FPEB
MI
CW
RD
ID
CH
WR

Rosette Tall Fluted Filler Overlay

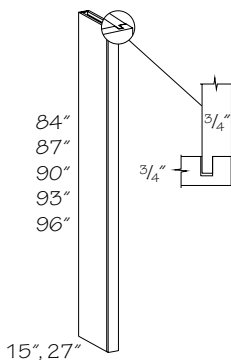


RFTFOL3.84
RFTFOL3.87
RFTFOL3.90
RFTFOL3.93
RFTFOL3.96

- 3/4" thick solid wood
- Applied decorative rosette
- Quartersawn door styles are supplied plain sawn
- **Not** available in Rustic Alder, High-Gloss Foil or Wood-Grain Foil door styles

PE
APC
APFC
FPEB
MI
CW
RD
ID
CH
WR

Tall Column



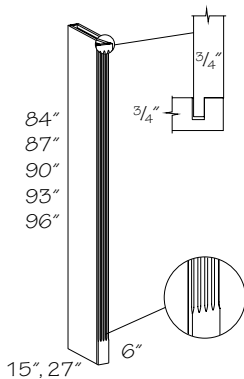
84" High	90" High	96" High
○ TC31584	○ TC31590	○ TC31596
TC61584	TC61590	TC61596
○ TC32784	○ TC32790	○ TC32796
TC62784	TC62790	TC62796
87" High	93" High	
○ TC31587	○ TC31593	
TC61587	TC61593	
○ TC32787	○ TC32793	
TC62787	TC62793	

○ Change Width (CW) option **not** available

- Front is 3/4" solid wood
- Quartersawn Oak door styles have 3/4" solid quartersawn wood front and quartersawn wood veneer end panels
- Painted hardwood supplied for EverCore®
- Plain sawn material supplied for Bristow Crafted door styles
- Foil-wrapped MDF supplied for Wood-Grain Foil door styles on face frame only
- Finished front and both sides
- Reversible, may be used on either right or left end
- ☆ APFC standard when APC option is selected

PE
● APC
☆ APFC
❖ FPEB
MI
☆ CW
● RD
ID
● CH
❖ WR

Tall Fluted Column

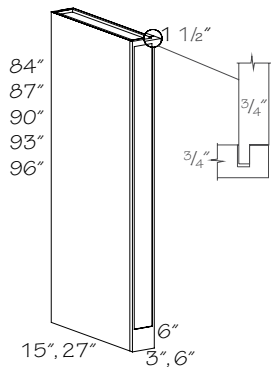


84" High	93" High
TFC31584	TFC31593
TFC32784	TFC32793
87" High	96" High
TFC31587	TFC31596
TFC32787	TFC32796
90" High	
TFC31590	
TFC32790	

- Fluted front is 3/4" solid wood; plain sawn wood supplied for quartersawn door styles
- Quartersawn Oak door styles have quartersawn wood veneer end panels
- Painted hardwood supplied for EverCore®
- Painted or Stained hardwood supplied for Wood-Grain Foil door styles
- Plain sawn material supplied for Bristow Crafted door styles
- Finished front and both sides
- Reversible, may be used on either right or left end
- ☆ APFC standard when APC option is selected

PE
● APC
☆ APFC
❖ FPEB
MI
CW
● RD
ID
● CH
❖ WR

Sterling Tall Column



84" High

STTC31584
STTC61584
STTC32784
STTC62784

87" High

STTC31587
STTC61587
STTC32787
STTC62787

90" High

STTC31590
STTC61590
STTC32790
STTC62790

93" High

STTC31593
STTC61593
STTC32793
STTC62793

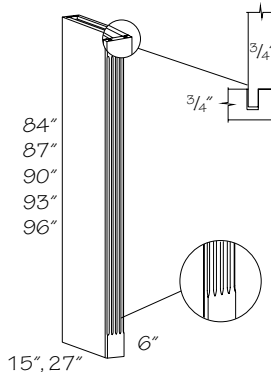
96" High

STTC31596
STTC61596
STTC32796
STTC62796

- Front is 3/4" solid wood
 - Available in Rustic Alder, Cherry, EverCore®, Maple and White Wood-Grain Foil door styles only
 - Painted hardwood supplied for EverCore®
 - Painted hardwood supplied for Wood-Grain Foil door styles; only available in white
 - Finished front and both sides
 - Reversible, may be used on either right or left end
- ☆ APFC standard when APC option is selected

PE
● APC
☆ APFC
❖ FPEB
MI
CW
● RD
ID
CH
❖ WR

Plain Capital Tall Fluted Column



84" High

PCTFC31584
PCTFC32784

87" High

PCTFC31587
PCTFC32787

90" High

PCTFC31590
PCTFC32790

93" High

PCTFC31593
PCTFC32793

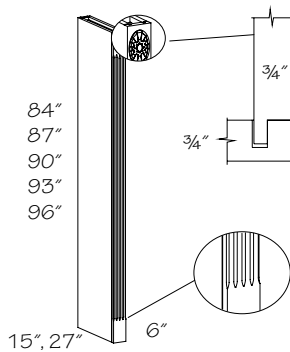
96" High

PCTFC31596
PCTFC32796

- Fluted front is 3/4" solid wood; plain sawn wood supplied for quartersawn door styles
 - Quartersawn Oak door styles have quartersawn wood veneer end panels
 - Finished front and both sides
 - Reversible, may be used on either right or left end
 - Painted hardwood supplied for EverCore®
 - Painted or Stained hardwood supplied for Wood-Grain Foil door styles
 - Plain sawn material supplied for Bristow Crafted door styles
- ☆ APFC standard when APC option is selected

PE
● APC
☆ APFC
❖ FPEB
MI
CW
● RD
ID
● CH
❖ WR

Rosette Tall Fluted Column



84" High

RTFC31584
RTFC32784

87" High

RTFC31587
RTFC32787

90" High

RTFC31590
RTFC32790

93" High

RTFC31593
RTFC32793

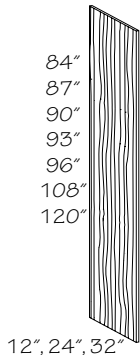
96" High

RTFC31596
RTFC32796

- Fluted front is 3/4" solid wood; plain sawn wood supplied for quartersawn door styles
 - Quartersawn Oak door styles have quartersawn wood veneer end panels
 - Applied decorative rosette
 - Finished front and both sides
 - Reversible, may be used on either right or left end
 - **Not** available in Rustic Alder, High-Gloss Foil or Wood-Grain Foil door styles
 - Plain sawn material supplied for Bristow Crafted door styles
- ☆ APFC standard when APC option is selected

PE
● APC
☆ APFC
❖ FPEB
MI
CW
● RD
ID
● CH
❖ WR

Tall End Panel



*Printed Woodgrain Laminate
12" Wide, 3/4" Thick*

- **VTEP1284**
- **VTEP1287**
- **VTEP1290**
- **VTEP1293**
- **VTEP1296**

*Printed Woodgrain Laminate
24" Wide, 3/4" Thick*

- **VTEP84**
- **VTEP87**
- **VTEP90**
- **VTEP93**
- **VTEP96**

*Printed Woodgrain Laminate
32" Wide, 3/4" Thick*

- **DVTEP84**
- **DVTEP87**
- **DVTEP90**
- **DVTEP93**
- **DVTEP96**

*Wood Veneer
12" Wide, 13/16" Thick*

- ▲ **WTEP1284**
- ▲ **WTEP1287**
- ▲ **WTEP1290**
- ▲ **WTEP1293**
- ▲ **WTEP1296**

*Wood Veneer
24" Wide, 13/16" Thick*

- ▲ **WTEP84**
- ▲ **WTEP87**
- ▲ **WTEP90**
- ▲ **WTEP93**
- ▲ **WTEP96**

*Wood Veneer
12" Wide, 11/16" Thick*

- ▲ **WTEP12108**
- ▲ **WTEP12120**

*Wood Veneer
24" Wide, 11/16" Thick*

- ▲ **WTEP108**
- ▲ **WTEP120**

*Wood Veneer
32" Wide, 13/16" Thick*

- ▲ **DWTEP84**
- ▲ **DWTEP87**
- ▲ **DWTEP90**
- ▲ **DWTEP93**
- ▲ **DWTEP96**

*Wood Veneer
32" Wide, 11/16" Thick*

- ▲ **DWTEP108**
- ▲ **DWTEP120**

- Quartersawn door styles are supplied plain sawn
- ▲ Crafted or Quartersawn door styles will be supplied in plain sawn wood

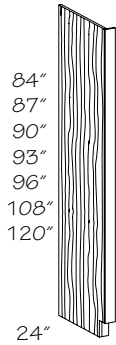
- Finished to match exterior both sides
- Front edge banded to match
- ☆ APC is available for wood veneer panels only; APC is standard on 108" and 120" panels
- ☆ APC panel is 11/16" thick
- Painted or Stained hardwood supplied for Wood-Grain Foil door styles



When using 48"–54" high cabinets or tall stacked cabinet combinations, remember to supply the best height Tall End Panel (TEP) for your design needs. Both 108" and 120" panels can be field cut to height requirements of your design

PE
☆ APC
APFC
FPEB
MI
CW
RD
ID
● CH
WR

Tall End Panel w/Stile



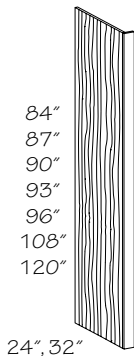
- | | |
|--|---|
| 84" High
TEP1 1/2.84 R or L
TEP3.84 R or L | 96" High
TEP1 1/2.96 R or L
TEP3.96 R or L |
| 87" High
TEP1 1/2.87 R or L
TEP3.87 R or L | 108" High
★ TEP1 1/2.108 R or L
★ TEP3.108 R or L |
| 90" High
TEP1 1/2.90 R or L
TEP3.90 R or L | 120" High
★ TEP1 1/2.120 R or L
★ TEP3.120 R or L |
| 93" High
TEP1 1/2.93 R or L
TEP3.93 R or L | |

- Specify R or L
- Left shown
- Toe kick shipped attached
- Exterior finished to match, interior is Natural Birch printed wood grain laminate and machined to match a cabinet end panel
- Crafted or Quartersawn door styles will be supplied in plain sawn wood
- Painted hardwood supplied for EverCore®
- Painted or Stained hardwood supplied for Wood-Grain Foil door styles
- ☆ Maximum Increased Depth (ID) is 27"

● PE
● APC
● APFC
● FPEB
☆ MI
● CW
● RD
☆ ID
● CH
● WR

★ Matching Interior All Plywood Furniture Construction (MIAPFC) standard on these sizes only

Refrigerator End Panel w/Stile



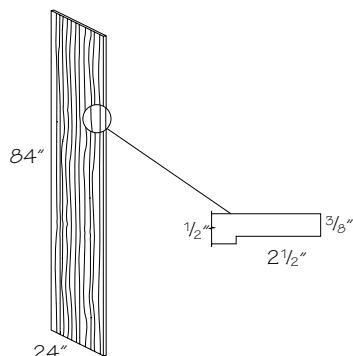
- | | |
|--|---|
| 32" Deep
84" High
DREP1 1/2.84
DREP3.84 | 87" High
DREP1 1/2.87
DREP3.87 |
| 90" High
DREP1 1/2.90
DREP3.90 | 93" High
DREP1 1/2.93
DREP3.93 |
| 96" High
DREP1 1/2.96
DREP3.96 | 108" High
★ DREP1 1/2.108
★ DREP3.108 |
| 120" High
★ DREP1 1/2.120
★ DREP3.120 | |

- Reversible
- Exterior finished to match, interior is Natural Birch printed wood grain laminate
- Painted hardwood supplied for EverCore®
- Painted or Stained hardwood supplied for Wood-Grain Foil door styles

● PE
● APC
☆ APFC
● FPEB
☆ MI
● CW
● RD
● CH
● WR

★ Matching Interior All Plywood Furniture Construction (MIAPFC) standard on these sizes only

Sub Zero End Panel



Wood Veneer
24" Deep

† **WZEP84**

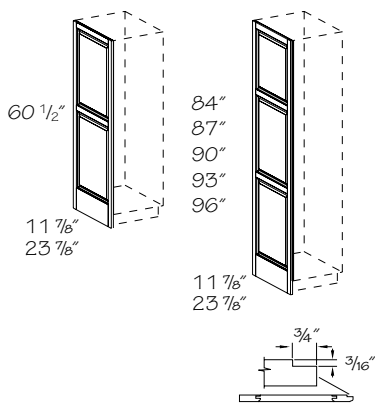
† Crafted or Quartersawn door styles will be supplied in plain sawn wood

- Reversible
- Panel notched to accept Sub Zero trim kit
- Quartersawn door styles are quartersawn wood veneer
- ☆ APC panel only available in wood veneer
- ☆ Maximum Increased Depth (ID) is 27"



Be sure to verify panel and appliance model compatibility

PE
☆ APC
APFC
FPEB
MI
CW
● RD
☆ ID
CH
WR



Matching Tall End Panel

- | | |
|--------------------------|--------------------------|
| 60 1/2" High | 90" High |
| ○ MTEP1260 R or L | ○ MTEP1290 R or L |
| □ MTEP2460 R or L | □ MTEP2490 R or L |
| 84" High | 93" High |
| ○ MTEP1284 R or L | ○ MTEP1293 R or L |
| □ MTEP2484 R or L | □ MTEP2493 R or L |
| 87" High | 96" High |
| ○ MTEP1287 R or L | ○ MTEP1296 R or L |
| □ MTEP2487 R or L | □ MTEP2496 R or L |

- Change Width (CW) option **not** available
- Change Height (CH) option **not** available

- Specify R or L
- 3/4" thick panel with matching door edge profile on front edge only
- Matching panel may **not** align with the cabinet doors
- Left shown
- Field installation only
- **Not** available in High-Gloss Foil, Thermofoil or Wood-Grain Foil door styles
- **Not** available in mitered door styles; use End Panel-Mitered
- **Not** available in slab door styles
- ☆ Wide Bottom Rail—field notch for toe kick

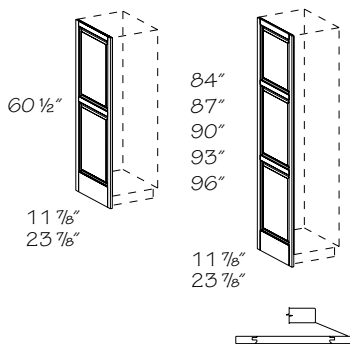


When designing with Matching End Panels the reveal will differ from the cabinet door height reveal. Matching End Panels cover the entire side of the cabinet. See drawing for exact measurements

PE
APC
APFC
FPEB
MI
☆ CW
RD
ID
☆ CH
☆ WR

Standard edge detail—fits flush against 1/2" end panel and behind face frame

Matching Tall End Panel—Square Edges



- | | |
|---------------------|---------------------|
| 60 1/2" High | 90" High |
| ○ MTEP1260 S | ○ MTEP1290 S |
| □ MTEP2460 S | □ MTEP2490 S |
| 84" High | 93" High |
| ○ MTEP1284 S | ○ MTEP1293 S |
| □ MTEP2484 S | □ MTEP2493 S |
| 87" High | 96" High |
| ○ MTEP1287 S | ○ MTEP1296 S |
| □ MTEP2487 S | □ MTEP2496 S |

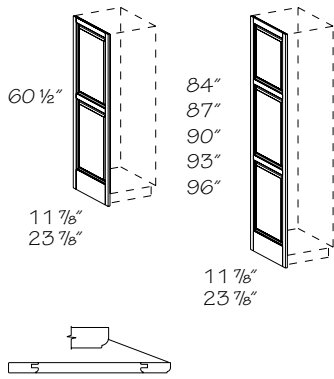
- Change Width (CW) option **not** available
- Change Height (CH) option **not** available

- 3/4" thick panel with square edge front and back
- Matching panel may **not** align with the cabinet doors
- Field installation only
- Reversible, may be used on either right or left end
- No frame recess dado
- **Not** available in High-Gloss Foil, Thermofoil or Wood-Grain Foil door styles
- **Not** available in mitered door styles; use End Panel-Mitered
- **Not** available in slab door styles
- ☆ Wide Bottom Rail—field notch for toe kick

PE
APC
APFC
FPEB
MI
☆ CW
RD
ID
☆ CH
☆ WR

Will not fit flush against 1/2" end panel, a 3/16" shim is recommended

Furniture Matching Tall End Panel

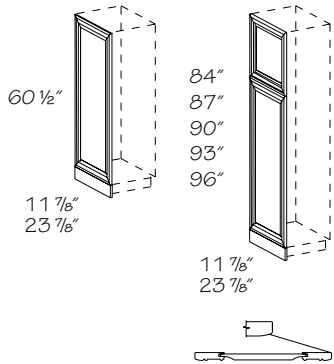


- 60 1/2" High
- * **FMTEP1260 R or L** **FMTEP1290 R or L**
 - * **FMTEP2460 R or L** **FMTEP2490 R or L**
- 84" High
- FMTEP1284 R or L** **FMTEP1293 R or L**
 - FMTEP2484 R or L** **FMTEP2493 R or L**
- 87" High
- FMTEP1287 R or L** **FMTEP1296 R or L**
 - FMTEP2487 R or L** **FMTEP2496 R or L**
- 90" High
- 93" High
- 96" High
- 11 7/8"
 23 7/8"
- 11 7/8"
 23 7/8"
- * Painted hardwood supplied for EverCore®
- Change Width (CW) option **not** available
 - Change Height (CH) option **not** available

- Specify R or L
- 3/4" thick panel with matching door edge profile on front edge only
- Matching panel may **not** align with the cabinet doors
- Left shown
- Field installation only
- For use with Furniture Plywood Ends (FPEB)—flush ends
- **Not** available in High-Gloss Foil, Thermofoil or Wood-Grain Foil door styles
- **Not** available in mitered door styles; use End Panel—Mitered
- **Not** available in slab door styles
- ☆ Wide Bottom Rail—field notch for toe kick

PE
APC
APFC
FPEB
MI
☆ CW
RD
ID
☆ CH
☆ WR

Matching Tall End Panel—Mitered



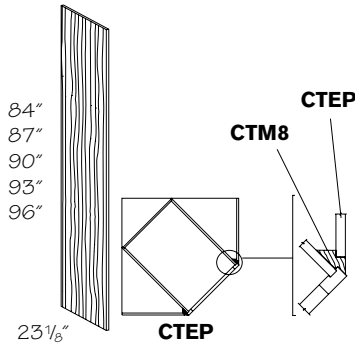
- 60 1/2" High
- M.MTEP1260** **M.MTEP1290**
 - M.MTEP2460** **M.MTEP2490**
- 84" High
- M.MTEP1284** **M.MTEP1293**
 - M.MTEP2484** **M.MTEP2493**
- 87" High
- M.MTEP1287** **M.MTEP1296**
 - M.MTEP2487** **M.MTEP2496**
- 90" High
- 93" High
- 96" High
- 11 7/8"
 23 7/8"
- 11 7/8"
 23 7/8"
- Change Width (CW) option **not** available
 - Change Height (CH) option **not** available

- 3/4" thick panel with matching door edge profile on four sides
- Inside of matching panel bottom rail will line up with inside bottom rail of door
- Field installation only
- Reversible, may be used on either right or left end
- Top, bottom and toe kick shipped separately
- Available in mitered door styles only
- **Not** available in High-Gloss Foil, Thermofoil or Wood-Grain Foil door styles

PE
APC
APFC
FPEB
MI
☆ CW
RD
ID
☆ CH
WR

Will not fit flush against 1/2" end panel, a 3/16" shim is recommended

Corner Tall End Panel

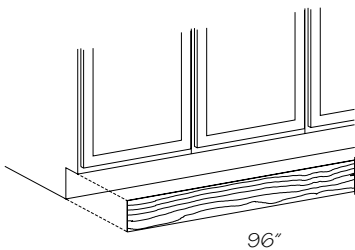


- | Wood Veneer | Width x Height x Thickness |
|----------------|----------------------------|
| WCTEP84 | 23 1/8" x 84" x 1/2" |
| WCTEP87 | 23 1/8" x 87" x 1/2" |
| WCTEP90 | 23 1/8" x 90" x 1/2" |
| WCTEP93 | 23 1/8" x 93" x 1/2" |
| WCTEP96 | 23 1/8" x 96" x 1/2" |

- Quartersawn door styles are quartersawn wood veneer
- See Option #2 in the Diagonal Installation of Standard Tall Cabinets located in Tall Accessories
- Painted hardwood supplied for EverCore®
- Painted or Stained hardwood supplied for Wood-Grain Foil door styles
- Corner Tall End Panel (CTEP) and Corner Tall Molding (CTM8) are sold separately

PE
● APC
APFC
FPEB
MI
CW
RD
ID
CH
WR

Toe Kick



- Black
- † **BLTK8**
1/8" thick hardboard, 4 1/2" high
- Printed Woodgrain Laminate
- MTK8**
1/8" thick hardboard, 4 1/2" high, laminated with matching Vinyl
- Laminate
- MTK8**
1/8" thick hardboard, 4 1/2" high, laminated with matching printed woodgrain laminate
- Aluminum finish
- MTK8 .A**
1/16" thick flexible laminate, 4 1/2" high
- Stainless finish
- MTK8 .S**
1/16" thick flexible laminate, 4 1/2" high
- Wood Veneer
- ▲ **WMTK8**
3/16" thick wood veneer, 4 1/2" high, to match

- Edges are unfinished
- Field installation only
- **Note:** Matching toe kick is **not** automatically supplied with cabinets. It **must** be ordered as a separate item

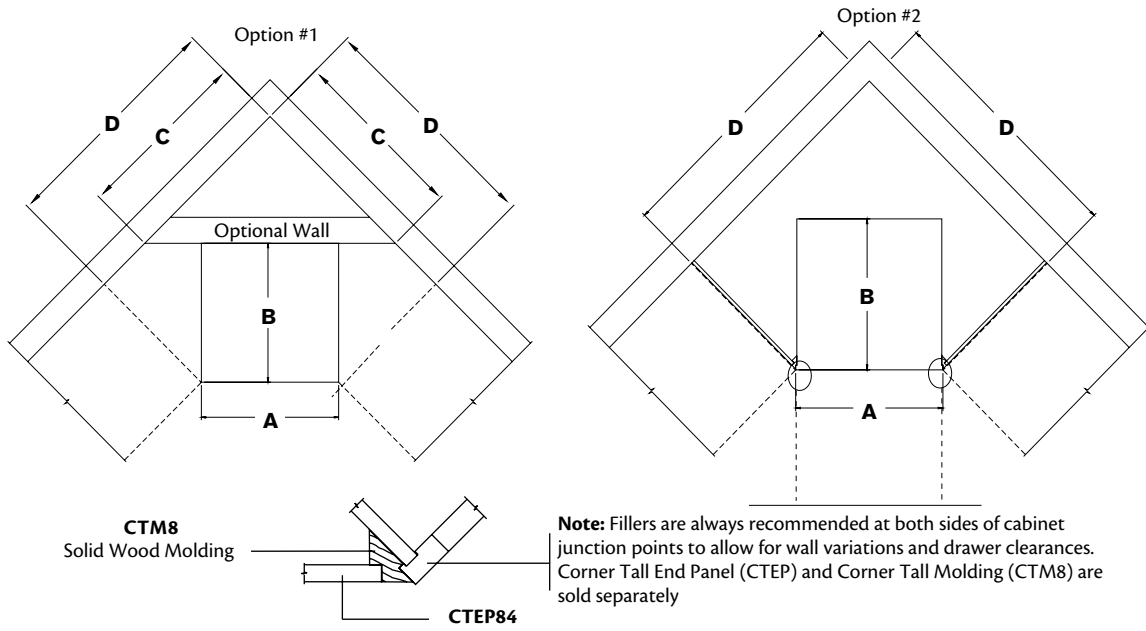


Apply Shoe Molding (SHO8) at the base of Matching Toe Kicks or Wood Matching Toe Kicks (MTK8 or WMTK8) for a nice, finished look.

PE
APC
APFC
FPEB
MI
CW
RD
ID
CH
WR

- † Painted hardwood supplied for EverCore®
- ▲ Quartersawn door styles are quartersawn wood veneer
- Painted or Stained hardwood supplied for Wood-Grain Foil door styles

Diagonal Installation of Standard Tall Cabinets



Cabinet Width "A"	Cabinet Depth "B"	Wall Dimensions "C"	Wall Dimensions "D"	Cabinet Depth "B"	Wall Dimensions "C"	Wall Dimensions "D"
15"	12"	18 ¼"	23 ¼"	24"	24 ¾"	34 ¾"
18"	12"	20 ¾"	25 ¾"	24"	26 ¾"	36 ¾"
24"	12"	24 ¾"	29 ¾"	24"	31"	40 1/16"
27"	N/A	N/A	N/A	24"	33 ¾"	43 1/16"
30"	12"	28 ¾"	33 ¾"	24"	35 ¼"	45 3/16"
33"	N/A	N/A	N/A	24"	37 ¾"	47 5/16"
36"	12"	33 1/8"	38 1/8"	24"	39 1/2"	49 1/2"

Notes

Vanity Cabinets

Construction Options and Modifications

VCD	30	18	34
code	width	depth	height

- ❖ Included as standard
- Available with an upcharge
- ☆ Available with exceptions
- (Blank) **Not** available

- PE Plywood Ends
- APC All Plywood Construction
- APFC All Plywood Furniture Construction
- FPEB Furniture Plywood Ends
- MI Matching Interior
- DE Integrated Decorative End
- OE Operational End
- AD_E Attached Decorative End
- CW Change Width
- RD Reduced Depth
- ID Increased Depth
- CH Change Height
- IF Inverted Frame
- TWR Top Wide Rail
- WR Wide Bottom Rail
- XS Extended Stile
- GD Glass Doors
- RTK Recessed Toe Kick
- VTK Void Toe Kick
- TKD Toe Kick Drawer

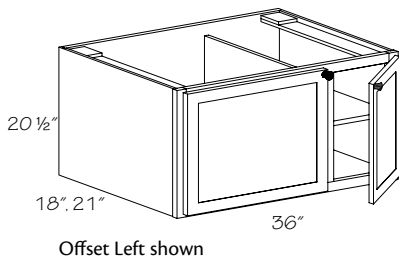
Note: Standard vanity cabinet box depth is 18" or 21" unless stated otherwise. Add door thickness for total depth. Standard vanity cabinet height is 34 1/2" unless stated otherwise.

All double door cabinets will have butt doors unless stated otherwise. When BUTT is in all capitals, it **must** be included as part of your ordering nomenclature. A (Butt) in parentheses is for your information and isn't required on an order form.

Material dimensions listed may vary slightly from actual dimensions of the product.

Specifications subject to change without notice.

Wall Hung Vanity



Offset Right
12" wide left door with single shelf;
24" wide right door

WHVOR3618
WHVOR3621

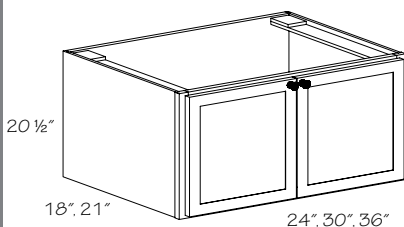
Offset Left
12" wide right door with single shelf;
24" wide left door

WHVOL3618
WHVOL3621

- U-shaped Deluxe Roll-out Tray (UDXRROT) available on 24" side (optional)
- Installation instructions included

PE	ID
APC	CH
❖ APFC	IF
FPEB	TWR
● MI	WR
DE	XS
OE	● GD
● AD_E	RTK
CW	VTK
RD	TKD

Wall Hung Vanity Full-Height Door



18" Deep

WHVC2418
WHVC3018
WHVC3618

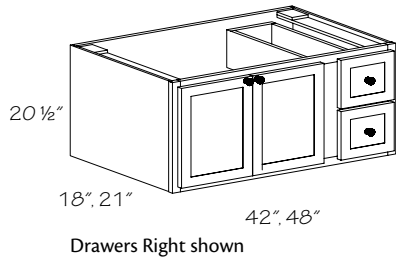
21" Deep

WHVC2421
WHVC3021
WHVC3621

- Full-height BUTT doors
- U-shaped Deluxe Roll-out Tray (UDXRROT) available (optional)
- Installation instructions included

PE	ID
APC	CH
❖ APFC	IF
FPEB	TWR
● MI	WR
DE	XS
OE	● GD
● AD_E	RTK
CW	VTK
RD	TKD

Wall Hung Vanity Combination Drawer



Drawers Right
18" Deep

WHVCD4218 DR
WHVCD4818 DR

30" left BUTT door section
36" left BUTT door section

Drawers Left
18" Deep

WHVCD4218 DL
WHVCD4818 DL

30" right BUTT door section
36" right BUTT door section

Drawers Right
21" Deep

WHVCD4221 DR
WHVCD4821 DR

30" left BUTT door section
36" left BUTT door section

Drawers Left
21" Deep

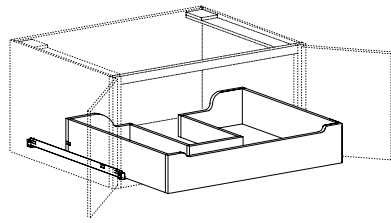
WHVCD4221 DL
WHVCD4821 DL

30" right BUTT door section
36" right BUTT door section

- 12" wide drawers
- U-shaped Deluxe Roll-out Tray (UDXROT) available (optional)
- Installation instructions included

PE	ID
APC	CH
❖ APFC	IF
FPEB	TWR
● MI	WR
DE	XS
OE	● GD
● AD_E	RTK
CW	VTK
RD	TKD

U-Shaped Deluxe Roll-out Tray



Field Installation
18" Deep

UDXROT24 .18
UDXROT30 .18
UDXROT36 .18

Field Installation
21" Deep

UDXROT24 .21
UDXROT30 .21
UDXROT36 .21

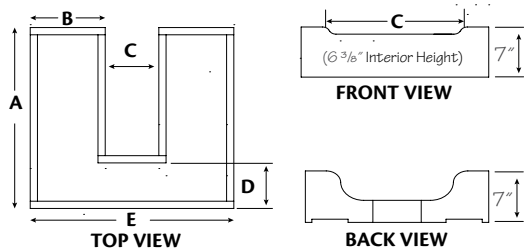
Factory Installation
18"-21" Deep

1UDXROT

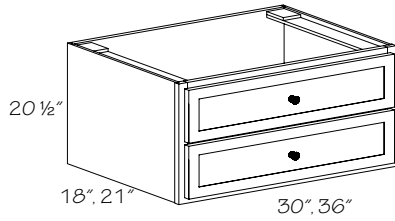
- Designed specifically for Wall Hung Vanity (WHVOR, WHVC and WHVCD) cabinets
- Full extension runner, pulls out past the face frame

PE	ID
APC	CH
APFC	IF
FPEB	TWR
MI	WR
DE	XS
OE	GD
AD_E	RTK
CW	VTK
RD	TKD

Model	Opening	A	B	C	D	E
UDXROT24.18	21"	14 3/4"	7 1/3"	5 1/4"	3 3/4"	19 16/17"
UDXROT30.18	27"	14 3/4"	10 1/3"	6 2/3"	3 3/4"	25 16/17"
UDXROT36.18	33"	14 3/4"	13 1/3"	6 2/3"	3 3/4"	31 37/39"
UDXROT24.21	21"	17 5/7"	7 1/3"	5 1/4"	3 3/4"	19 16/17"
UDXROT30.21	27"	17 5/7"	10 1/3"	6 2/3"	3 3/4"	25 16/17"
UDXROT36.21	33"	17 5/7"	13 1/3"	6 2/3"	3 3/4"	31 37/39"



Wall Hung Vanity Drawer

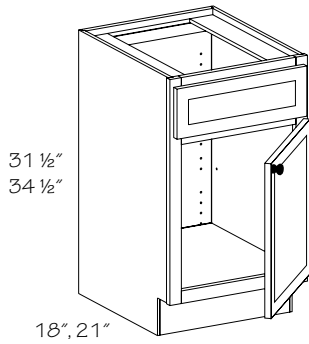


18" Deep
WHVD3018
WHVD3618
 21" Deep
WHVD3021
WHVD3621

- False front top
- 7" U-shaped bottom drawer scooped to 3" in the back
- 11/16" full plywood back panel
- Installation instructions included

PE	ID
APC	CH
❖ APFC	IF
FPEB	TWR
● MI	WR
DE	XS
OE	GD
● AD_E	RTK
CW	VTK
RD	TKD

Vanity Sink Base Single Door



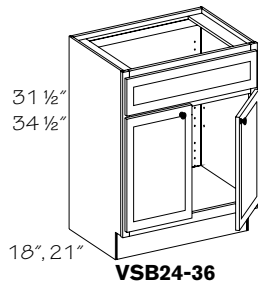
31 1/2" High, 18" Deep
VSB181831 R or L **VSB181834 R or L**
VSB211831 R or L **VSB211834 R or L**
 31 1/2" High, 21" Deep
VSB182131 R or L **VSB182134 R or L**
VSB212131 R or L **VSB212134 R or L**
 34 1/2" High, 16" Deep

- **VSB181634 R or L**
- **VSB211634 R or L**
- **Not available with Operational End Door (OE) option**

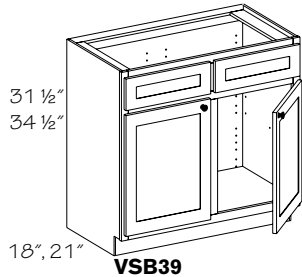
- Specify R or L for single door hinging
- Single door and drawer front
- Optional Utensil Trays (UT and SUT) are available
- ☆ Operational End (OE) is **not** available with Reduced Depth (RD) option

● PE	● ID
● APC	● CH
● APFC	IF
● FPEB	● TWR
● MI	● WR
● DE	● XS
☆ OE	● GD
☆ AD_E	● RTK
☆ CW	● VTK
● RD	☆ TKD

Vanity Sink Base Double Door



VSB24-36



VSB39

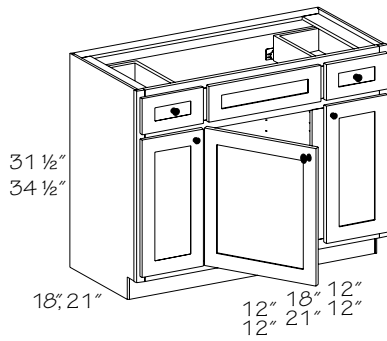
31 1/2" High, 18" Deep
 ○ **VSB241831** ○ **VSB241834**
VSB271831 **VSB271834**
VSB301831 **VSB301834**
VSB331831 **VSB331834**
VSB361831 **VSB361834**
 ◆▲ **VSB391831** ◆▲ **VSB391834**
 31 1/2" High, 21" Deep
 ○ **VSB242131** ○ **VSB242134**
VSB272131 **VSB272134**
VSB302131 **VSB302134**
VSB332131 **VSB332134**
VSB362131 **VSB362134**
 ◆▲ **VSB392131** ◆▲ **VSB392134**

- Change Width (CW) option **not** available
- ◆ 3" center stile
- ▲ Deluxe Dovetailed full-width Trays (DXFWT) **not** available

- Single or double drawer front
- Optional Utensil Trays (UT and SUT) are available
- ☆ Operational End (OE) is **not** available with Reduced Depth (RD) option

● PE	● ID
● APC	● CH
● APFC	IF
● FPEB	● TWR
● MI	● WR
● DE	● XS
☆ OE	● GD
● AD_E	● RTK
☆ CW	● VTK
● RD	● TKD

Vanity Sink Base Three Door

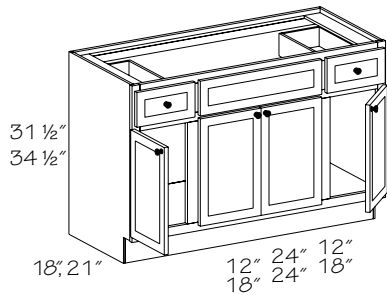


- 31 1/2" High, 18" Deep
VSB421831
VSB451831
- 31 1/2" High, 21" Deep
VSB422131
VSB452131
- 34 1/2" High, 18" Deep
VSB421834
VSB451834
- 34 1/2" High, 21" Deep
VSB422134
VSB452134

- Two working drawers with one false drawer front
- Center door hinged left only
- ☆ Operational End (OE) is *not* available with Reduced Depth (RD) option
- ☆ Glass inserts *not* available on ends

● PE	● ID
● APC	● CH
● APFC	● IF
● FPFB	● TWR
● MI	● WR
● DE	● XS
☆ OE	☆ GD
● AD_E	● RTK
● CW	● VTK
● RD	☆ TKD

Vanity Sink Base Four Door

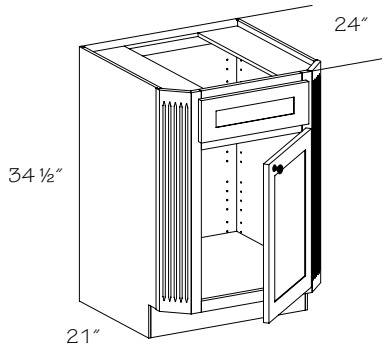


- 31 1/2" High, 18" Deep
VSB481831
VSB601831
- 31 1/2" High, 21" Deep
VSB482131
VSB602131
- 34 1/2" High, 18" Deep
VSB481834
VSB601834
- 34 1/2" High, 21" Deep
VSB482134
VSB602134

- Two working drawers with one false drawer front
- ☆ Operational End (OE) is *not* available with Reduced Depth (RD) option

● PE	● ID
● APC	● CH
● APFC	● IF
● FPFB	● TWR
● MI	● WR
● DE	● XS
☆ OE	● GD
● AD_E	● RTK
● CW	● VTK
● RD	TKD

Vanity Sink Base-Fluted Clipped Corners

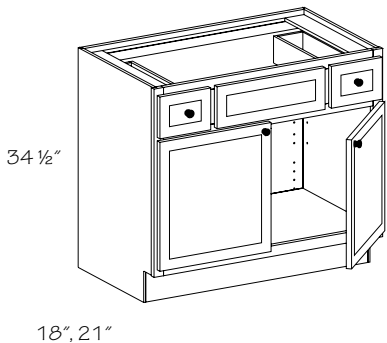


- VSBFCC242434 R or L**
- VSBFCC272434 R or L**
- VSBFCC302434**
- VSBFCC332434**

- Specify R or L for single door hinging
- Angled stiles extend 3" each side
- No shelf
- Single drawer front
- Optional Utensil Trays (UT and SUT) are available
- Optional Door Storage Unit (SBDSU) is available
- Nominal width is overall cabinet width. Order Example: VSBFCC302434 is 30" wide
- Factory installed Roll-out Trays (ROT) are *not* available

● PE	● ID
● APC	● CH
● APFC	● IF
● FPFB	● TWR
● MI	● WR
● DE	● XS
● OE	● GD
● AD_E	● RTK
● CW	● VTK
● RD	TKD

Vanity Sink Base Two Drawer

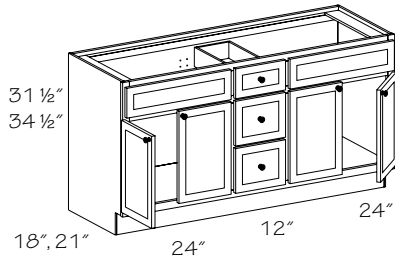


- 18" Deep
VSB361834 .2
- 21" Deep
VSB362134 .2

- Two working drawers
- 18" center section with false drawer front
- ☆ Operational End (OE) is *not* available with Reduced Depth (RD) option

● PE	● ID
● APC	● CH
● APFC	● IF
● FPFB	● TWR
● MI	● WR
● DE	● XS
☆ OE	● GD
● AD_E	● RTK
● CW	● VTK
● RD	● TKD

Vanity Sink Base Three Drawer



18" Deep

■ **VSB601831 .3**

VSB601834 .3

21" Deep

■ **VSB602131 .3**

VSB602134 .3

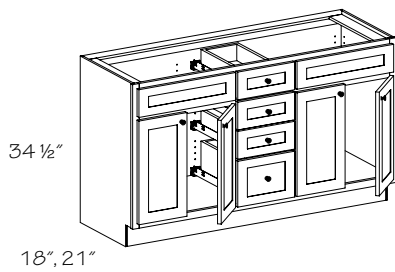
■ **Not** available with Operational End Door (OE) option

- Two pair of butt doors
- Three drawer stack in center
- Optional Vanity Wood Tiered Drawer Storage (VWTDS), Vanity Shallow Wood Tiered Drawer Storage (VSWTDS) and Vanity Adjustable Drawer Divider (VADD) are available

☆ Operational End (OE) is **not** available with Reduced Depth (RD) option

● PE	● ID
● APC	● CH
● APFC	● IF
● FPFB	● TWR
● MI	● WR
● DE	● XS
☆ OE	● GD
● AD_E	● RTK
● CW	● VTK
● RD	● TKD

Vanity Sink Base Four Drawer



18" Deep

■ **VSB601834 .4**

21" Deep

■ **VSB602134 .4**

- Two pair of butt doors
- Four drawer stack in center
- Three standard height drawers
- One deep drawer
- Two drawer fronts
- Scoop Top Drawer (STDW) option available

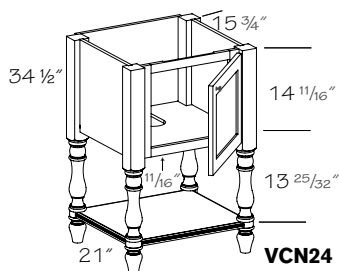
• Optional Vanity Wood Tiered Drawer Storage (VWTDS), Vanity Shallow Wood Tiered Drawer Storage (VSWTDS) and Vanity Adjustable Drawer Divider (VADD) are available

☆ Operational End (OE) is **not** available with Reduced Depth (RD) option

● PE	● ID
● APC	● CH
● APFC	● IF
● FPFB	● TWR
● MI	● WR
● DE	● XS
☆ OE	● GD
● AD_E	● RTK
● CW	● VTK
● RD	● TKD

Console Vanity

PE	ID
APC	CH
❖ APFC	IF
FPEB	TWR
❖ MI	WR
DE	XS
OE	GD
AD_E	RTK
CW	VTK
RD	TKD



Classic Leg

VCN242134 R or L.CLS

VCN302134 .CLS

VCN362134 .CLS

VCN422134 .CLS

VCN482134 .CLS

Plain Square Post

VCN242134 R or L.PSP

VCN302134 .PSP

VCN362134 .PSP

VCN422134 .PSP

VCN482134 .PSP

Roman Spindle

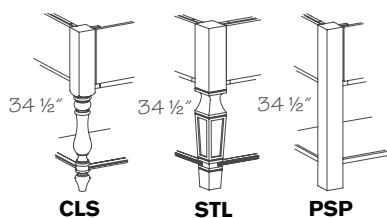
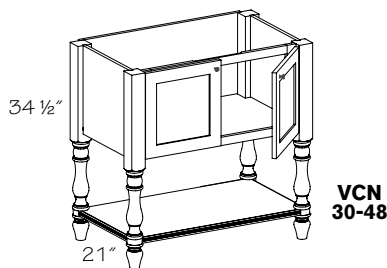
VCN242134 R or L.RSP

VCN302134 .RSP

VCN362134 .RSP

VCN422134 .RSP

VCN482134 .RSP



Sterling Leg

VCN242134 R or L.STL

VCN302134 .STL

VCN362134 .STL

VCN422134 .STL

VCN482134 .STL

Tapered Leg

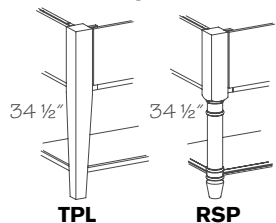
VCN242134 R or L.TPL

VCN302134 .TPL

VCN362134 .TPL

VCN422134 .TPL

VCN482134 .TPL



- Specify R or L for single door hinging
- Available in full overlay door styles only
- Painted hardwood supplied for Wood-Grain Foil door styles; only available in white
- Open area height from top of bottom shelf to cabinet frame is 13"
- Plumbing cutout is centered; measures 4 1/4" x 10"
- Contrasting Back Options (CBEB, CPLB, CVGR) **not** available
- Console Vanity Deluxe Roll-Out Tray (CDXROT) is available for factory or field installation in 30", 36" and 42" VCN wide cabinets

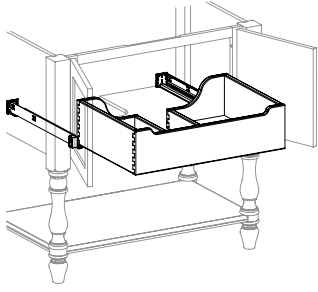


For a finished look, we recommend attaching replacement doors to the end panels (RD1515NH.B — sold separately, qty. 2 needed if covering both ends)



In order to complete the furniture look on your console vanity, limit your countertop overhang to 1/8" on the front and both sides. A standard size vanity countertop will work with the console vanity, but keep in mind the countertop overhang to the front will only be 1/8"; overhang on the sides will be 1/2". Be sure to account for the positioning of the vanity bowl in relation to the cabinet. If you use a large vanity bowl or if your bowl is positioned too far forward, you may need to notch the inside top rail of the frame in order to accommodate the bowl.

Console Vanity Deluxe Roll-Out Tray



Factory Installed

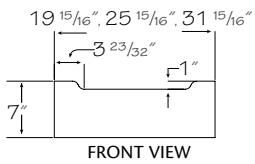
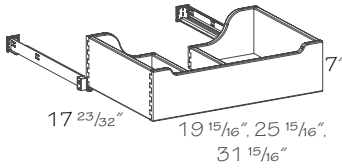
1CDXROT30
1CDXROT36
1CDXROT42

Field Installed

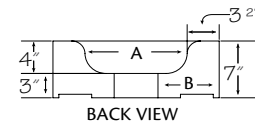
CDXROT30
CDXROT36
CDXROT42

- Designed specifically for Console Vanity (VCN) cabinets
- Full extension runner, pulls out past the face frame
- Trays are 7" high and 17 23/32" deep

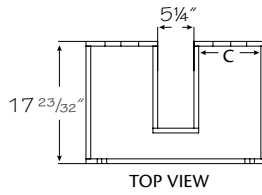
PE	ID
APC	CH
APPFC	IF
FPEB	TWR
MI	WR
DE	XS
OE	GD
AD_E	RTK
CW	VTK
RD	TKD



FRONT VIEW



BACK VIEW

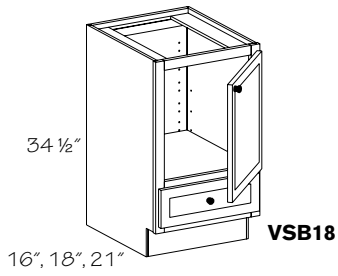


TOP VIEW

	Dimension A	Dimension B	Dimension C
CDXROT30	12 1/4"	7 11/32"	5 15/16"
CDXROT36	15 1/4"	10 11/32"	8 15/16"
CDXROT42	18 1/4"	13 11/32"	11 15/16"

Vanity Sink Base Bottom Drawer

● PE	● ID
● APC	● CH
● APFC	● IF
● FPFB	● TWR
● MI	● WR
● DE	● XS
● OE	● GD
☆ AD_E	● RTK
☆ CW	● VTK
● RD	● TKD



16" Deep
VSB181634 R or L.BD

18" Deep
VSB181834 R or L.BD

○ **VSB241834 .BD**

VSB301834 .BD

VSB361834 .BD

▲ **VSB361834 .2BD**

21" Deep
VSB182134 R or L.BD

○ **VSB242134 .BD**

VSB302134 .BD

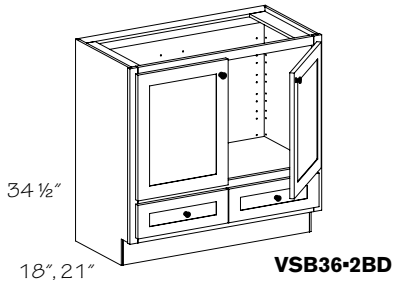
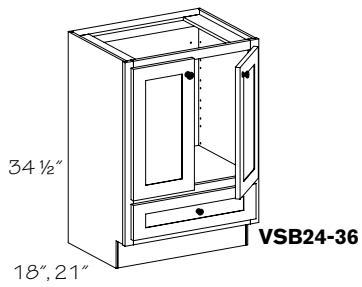
VSB362134 .BD

▲ **VSB362134 .2BD**

○ Change Width (CW) option *not* available

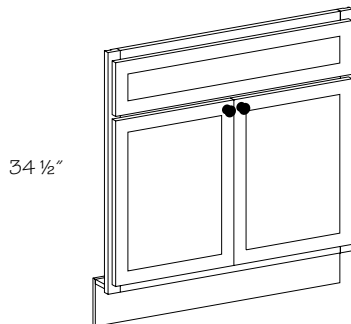
▲ Two drawers side by side

- Specify R or L for single door hinging
- 2 1/4" high drawer box



Vanity Sink Front

● PE	● ID
● APC	● CH
● APFC	● IF
● FPFB	● TWR
● MI	● WR
● DE	● XS
● OE	● GD
● AD_E	● RTK
☆ CW	● VTK
● RD	● TKD



VSF1834 R or L

○ **VSF2434**

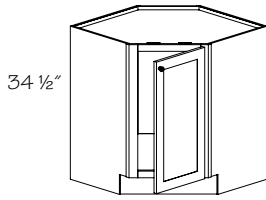
VSF3034

VSF3634

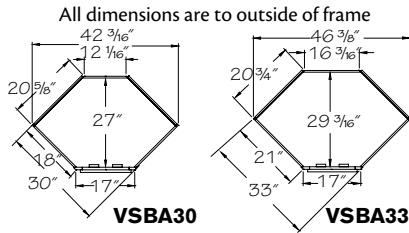
○ Change Width (CW) option *not* available

- Specify R or L for single door hinging
- Includes floor; shipped loose
- Toe kick included
- Optional Utensil Trays (UT and SUT) are available
- **Not** trimmable

Vanity Sink Base Angle-Full-Height



VSBA301834 R or L.FH
VSBA332134 R or L.FH



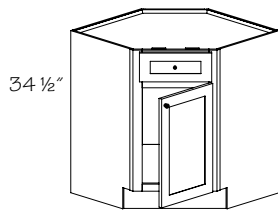
- Specify R or L for single door hinging
- No shelf
- Angled back provides clearance for installation
- Back Options (BEB and VGRB) **not** available
- Contrasting Back Options (CBEB, CPLB, CVGR) **not** available
- **Note:** Full overlay door styles use a 1/2" overlay hinge

● PE	● ID
● APC	● CH
● APFC	● IF
● FPEB	● TWR
● MI	● WR
● DE	● XS
● OE	● GD
● AD_E	● RTK
● CW	● VTK
● RD	● TKD

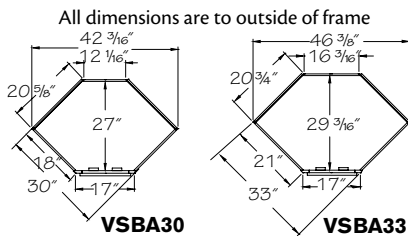


Full overlay doors on cabinets with an angled front are intentionally narrower to allow proper clearance of adjacent cabinets.

Vanity Sink Base Angle-Single Door



VSBA301834 R or L
VSBA332134 R or L

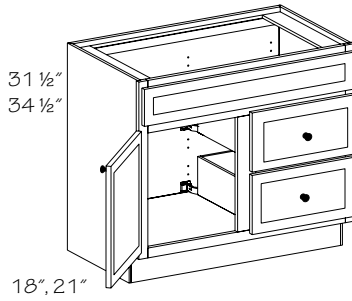


- Specify R or L for single door hinging
- No shelf
- One drawer front
- Optional Utensil Trays (UT and SUT) are available
- Angled back provides clearance for installation
- Back Options (BEB and VGRB) **not** available
- Contrasting Back Options (CBEB, CPLB, CVGR) **not** available
- **Note:** Full overlay door styles use a 1/2" overlay hinge

● PE	● ID
● APC	● CH
● APFC	● IF
● FPEB	● TWR
● MI	● WR
● DE	● XS
● OE	● GD
● AD_E	● RTK
● CW	● VTK
● RD	● TKD

Notes

Vanity Combination Drawer (2)



Drawers Left

31 1/2" High, 18" Deep

VCD241831 DL2
VCD271831 DL2
VCD301831 DL2
VCD331831 DL2
VCD361831 DL2
VCD391831 DL2

Drawer-Door widths

12-12
 12-15
 12-18
 12-21
 15-21
 15-24

- Two deep drawers
- One drawer front
- Optional Vanity Wood Tiered Drawer Storage (VWTDTS), Vanity Shallow Wood Tiered Drawer Storage (VSWTDS) and Vanity Adjustable Drawer Divider (VADD) are available

● PE	● ID
● APC	● CH
● APFC	● IF
● FPFB	● TWR
● MI	● WR
● DE	● XS
● OE	● GD
● AD_E	● RTK
● CW	● VTK
● RD	● TKD

Drawers Left

31 1/2" High, 21" Deep

VCD242131 DL2
VCD272131 DL2
VCD302131 DL2
VCD332131 DL2
VCD362131 DL2
VCD392131 DL2

12-12
 12-15
 12-18
 12-21
 15-21
 15-24

Drawers Left

34" High, 18" Deep

VCD241834 DL2
VCD271834 DL2
VCD301834 DL2
VCD331834 DL2
VCD361834 DL2
VCD391834 DL2

12-12
 12-15
 12-18
 12-21
 15-21
 15-24

Drawers Left

34" High, 21" Deep

VCD242134 DL2
VCD272134 DL2
VCD302134 DL2
VCD332134 DL2
VCD362134 DL2
VCD392134 DL2

12-12
 12-15
 12-18
 12-21
 15-21
 15-24

Drawers Right

31 1/2" High, 18" Deep

VCD241831 DR2
VCD271831 DR2
VCD301831 DR2
VCD331831 DR2
VCD361831 DR2
VCD391831 DR2

Door-Drawer widths

12-12
 15-12
 18-12
 21-12
 21-15
 15-24

Drawers Right

31 1/2" High, 21" Deep

VCD242131 DR2
VCD272131 DR2
VCD302131 DR2
VCD332131 DR2
VCD362131 DR2
VCD392131 DR2

12-12
 15-12
 18-12
 21-12
 21-15
 15-24

Drawers Right

34 1/2" High, 18" Deep

VCD241834 DR2
VCD271834 DR2
VCD301834 DR2
VCD331834 DR2
VCD361834 DR2
VCD391834 DR2

12-12
 15-12
 18-12
 21-12
 21-15
 15-24

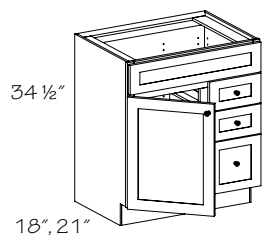
Drawers Right

34 1/2" High, 21" Deep

VCD242134 DR2
VCD272134 DR2
VCD302134 DR2
VCD332134 DR2
VCD362134 DR2
VCD392134 DR2

12-12
 15-12
 18-12
 21-12
 21-15
 15-24

Vanity Combination Drawer (3)



Drawers Left
34 1/2" High, 18" Deep *Drawer-Door widths*

* VCD241834 DL3	12-12
VCD271834 DL3	12-15
VCD301834 DL3	12-18
VCD331834 DL3	12-21
VCD361834 DL3	15-21
VCD391834 DL3	15-24

Drawers Left
34 1/2" High, 21" Deep

* VCD242134 DL3	12-12
VCD272134 DL3	12-15
VCD302134 DL3	12-18
VCD332134 DL3	12-21
VCD362134 DL3	15-21
VCD392134 DL3	15-24

Drawers Right
34 1/2" High, 18" Deep *Door-Drawer widths*

* VCD241834 DR3	12-12
VCD271834 DR3	15-12
VCD301834 DR3	18-12
VCD331834 DR3	21-12
VCD361834 DR3	21-15
VCD391834 DR3	15-24

Drawers Right
34 1/2" High, 21" Deep

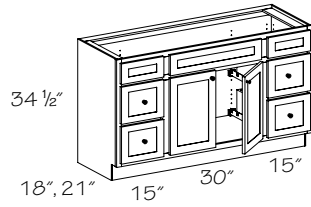
* VCD242134 DR3	12-12
VCD272134 DR3	15-12
VCD302134 DR3	18-12
VCD332134 DR3	21-12
VCD362134 DR3	21-15
VCD392134 DR3	15-24

* Sink Base Door Storage Unit (SBDSU) **not** available

- One drawer front
- Two standard drawers
- One deep drawer
- Optional Door Storage Unit (SBDSU) is available
- Optional Vanity Wood Tiered Drawer Storage (VWTDS), Vanity Shallow Wood Tiered Drawer Storage (VSWTDS) and Vanity Adjustable Drawer Divider (VADD) are available

● PE	● ID
● APC	● CH
● APFC	● IF
● FPEB	● TWR
● MI	● WR
● DE	● XS
● OE	● GD
● AD_E	● RTK
● CW	● VTK
● RD	● TKD

Vanity Combination Drawer–Full False Front (4)

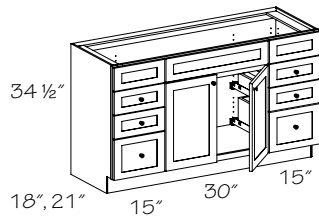


18" Deep
VCDF601834 .4
 21" Deep
VCDF602134 .4

- Four deep drawers
- Three drawer fronts
- Optional Vanity Wood Tiered Drawer Storage (VWTDS), Vanity Shallow Wood Tiered Drawer Storage (VSWTDS) and Vanity Adjustable Drawer Divider (VADD) are available

● PE	● ID
● APC	● CH
● APFC	● IF
● FPFB	● TWR
● MI	● WR
● DE	● XS
● OE	● GD
● AD_E	● RTK
● CW	● VTK
● RD	● TKD

Vanity Combination Drawer–Full False Front (6)



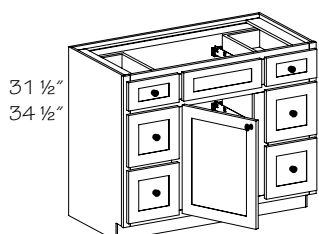
18" Deep
VCDF601834 .6
 21" Deep
VCDF602134 .6

- Four standard drawers
- Two deep drawers
- Three drawer fronts
- Optional Door Storage Unit (SBDSU) is available
- Optional Vanity Wood Tiered Drawer Storage (VWTDS), Vanity Shallow Wood Tiered Drawer Storage (VSWTDS) and Vanity Adjustable Drawer Divider (VADD) are available

● PE	● ID
● APC	● CH
● APFC	● IF
● FPFB	● TWR
● MI	● WR
● DE	● XS
● OE	● GD
● AD_E	● RTK
● CW	● VTK
● RD	● TKD

Vanity Combination Drawer (6)

● PE	● ID
● APC	● CH
● APFC	● IF
● FPFB	● TWR
● MI	● WR
● DE	● XS
● OE	● GD
● AD_E	● RTK
● CW	● VTK
● RD	☆ TKD



18", 21"
VCD42-45

31 1/2" High, 18" Deep

▲+ **VCD421831 R or L.6**

▲ **VCD451831 R or L.6**

VCD481831 .6

VCD511831 .6

VCD541831 .6

VCD571831 .6

VCD601831 .6

Drawer-Door-Drawer

12"-18"-12"

12"-21"-12"

12"-24"-12"

12"-27"-12"

15"-24"-15"

15"-27"-15"

15"-30"-15"

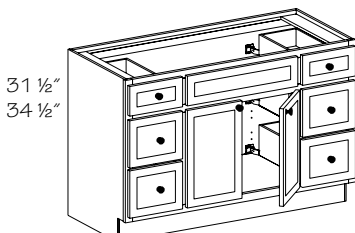
• Specify R or L for single door hinging

• Two standard drawers

• Four deep drawers

• One drawer front

• Optional Vanity Wood Tiered Drawer Storage (VWTDS), Vanity Shallow Wood Tiered Drawer Storage (VSWTDS) and Vanity Adjustable Drawer Divider (VADD) are available



18", 21"
VCD48-60

31 1/2" High, 21" Deep

▲+ **VCD422131 R or L.6**

▲ **VCD452131 R or L.6**

VCD482131 .6

VCD512131 .6

VCD542131 .6

VCD572131 .6

VCD602131 .6

12"-18"-12"

12"-21"-12"

12"-24"-12"

12"-27"-12"

15"-24"-15"

15"-27"-15"

15"-30"-15"

34 1/2" High, 18" Deep

▲+ **VCD421834 R or L.6**

▲ **VCD451834 R or L.6**

VCD481834 .6

VCD511834 .6

VCD541834 .6

VCD571834 .6

VCD601834 .6

12"-18"-12"

12"-21"-12"

12"-24"-12"

12"-27"-12"

15"-24"-15"

15"-27"-15"

15"-30"-15"

34 1/2" High, 21" Deep

▲+ **VCD422134 R or L.6**

▲ **VCD452134 R or L.6**

VCD482134 .6

VCD512134 .6

VCD542134 .6

VCD572134 .6

VCD602134 .6

12"-18"-12"

12"-21"-12"

12"-24"-12"

12"-27"-12"

15"-24"-15"

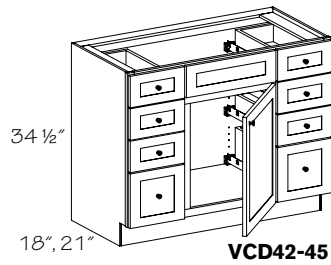
15"-27"-15"

15"-30"-15"

▲ Optional Door Storage Unit (SBDSU) is available

+ Available with Toe Kick Drawer (TKD) option

Vanity Combination Drawer (8)



- 18" Deep
- ▲+ **VCD421834 R or L.8**
 - ▲ **VCD451834 R or L.8**
 - VCD481834 .8**
 - VCD511834 .8**
 - VCD541834 .8**
 - VCD571834 .8**
 - ▲ **VCD601834 .8**

21" Deep

- ▲+ **VCD422134 R or L.8**
- ▲ **VCD452134 R or L.8**
- VCD482134 .8**
- VCD512134 .8**
- VCD542134 .8**
- VCD572134 .8**
- ▲ **VCD602134 .8**

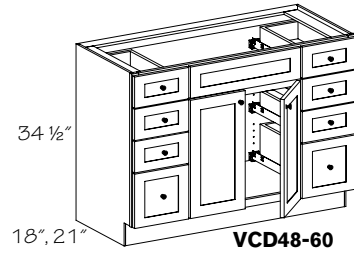
- ▲ Optional Door Storage Unit (SBDSU) is available
- + Available with Toe Kick Drawer (TKD) option

Drawer-Door-Drawer

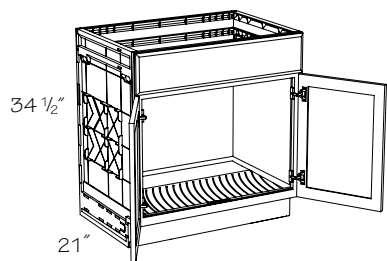
- 12"-18"-12"
- 12"-21"-12"
- 12"-24"-12"
- 12"-27"-12"
- 15"-24"-15"
- 15"-27"-15"
- 15"-30"-15"
- 12"-18"-12"
- 12"-21"-12"
- 12"-24"-12"
- 12"-27"-12"
- 15"-24"-15"
- 15"-27"-15"
- 15"-30"-15"

- Specify R or L for single door hinging
- Six standard drawers
- Two deep drawers
- Scoop Top Drawer (STDW) option available
- Optional Vanity Wood Tiered Drawer Storage (VWTDS), Vanity Shallow Wood Tiered Drawer Storage (VSWTDS) and Vanity Adjustable Drawer Divider (VADD) are available

● PE	● ID
● APC	● CH
● APFC	● IF
● FPEB	● TWR
● MI	● WR
● DE	● XS
● OE	● GD
● AD_E	● RTK
● CW	● VTK
● RD	☆ TKD



CoreGuard® Vanity



VSB242134 .CG
VSB272134 .CG
VSB302134 .CG
VSB332134 .CG
VSB362134 .CG

Opening Sizes		
Cabinet	Top Width	Top Depth
VSB242134.CG	21 1/16"	22 3/8"
VSB272134.CG	24 1/16"	22 3/8"
VSB302134.CG	27 1/16"	22 3/8"
VSB332134.CG	30 1/16"	22 3/8"
VSB362134.CG	33 1/16"	22 3/8"

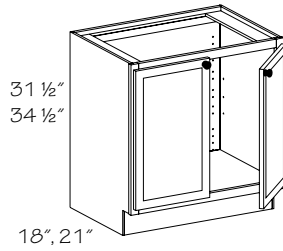
- Easy to clean and durable sink base helps protect the cabinetry from everyday leaks and spills
- Back, end and bottom panels are made of an engineered polymer material
- Bottom panel slants 1° toward front of cabinet and has raised ribs to slightly elevate stored items
- Decorative end panel required for end of peninsula or island. **Not** included, order separately
- No shelf
- One full-width false drawer front above doors
- Use CoreGuard® Panel Backer in the paneling section to resolve cutting and installation errors
- Optional Door Storage Unit (SBDSU) is available
- Optional Utensil Trays (UT and SUT) are available
- Will **not** accept Roll-out Trays (ROT)
- Includes a Touch-Up Kit (TUK)

PE	ID
APC	CH
APFC	IF
FPEB	● TWR
MI	WR
DE	● XS
OE	GD
AD_E	RTK
CW	VTK
RD	TKD



Caution: For an island/peninsula installation, the CoreGuard® Sink cabinet **must** have a minimum of one (1) 15" cabinet or larger installed adjacent to it in order for the island/peninsula to have adequate structural stability. Accessories **cannot** be installed on end panels, back or floor of the cabinet

Vanity Cabinet Full-Height Door



31 1/2" High, 18" Deep

VC181831 R or L

○ **VC241831**

VC271831

VC301831

VC331831

VC361831

◆ **VC391831**

31 1/2" High, 21" Deep

VC182131 R or L

○ **VC242131**

VC272131

VC302131

VC332131

VC362131

◆ **VC392131**

34 1/2" High, 18" Deep

VC181834 R or L

○ **VC241834**

VC271834

VC301834

VC331834

VC361834

◆ **VC391834**

■ **VC421834**

▲※ **VC481834**

34 1/2" High, 21" Deep

VC182134 R or L

○ **VC242134**

VC272134

VC302134

VC332134

VC362134

◆ **VC392134**

■ **VC422134**

▲※ **VC482134**

○ Change Width (CW) option *not* available

◆ 3" center stile

■ Factory installed Roll-out Trays (ROT) are *not* available

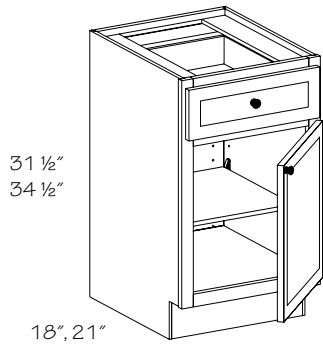
▲ Two pair of butt doors

※ Glass inserts *not* available on ends

- Specify R or L for single door hinging
- Full-height door
- No shelf
- ☆ Operational End (OE) is *not* available with Reduced Depth (RD) option

● PE	● ID
● APC	● CH
● APFC	● IF
● FPEB	● TWR
● MI	● WR
● DE	● XS
☆ OE	☆ GD
● AD_E	● RTK
☆ CW	● VTK
● RD	● TKD

Vanity Base Single Door



31 1/2" High, 18" Deep

- **VB121831 R or L**
- **VB151831 R or L**
- **VB181831 R or L**
- **VB211831 R or L**

31 1/2" High, 21" Deep

- **VB122131 R or L**
- **VB152131 R or L**
- **VB182131 R or L**
- **VB212131 R or L**

34 1/2" High, 18" Deep

- **VB121834 R or L**
- **VB151834 R or L**
- **VB181834 R or L**
- **VB211834 R or L**

34 1/2" High, 21" Deep

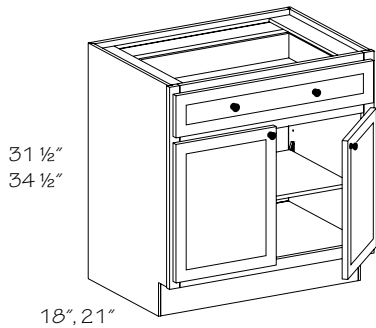
- **VB122134 R or L**
- **VB152134 R or L**
- **VB182134 R or L**
- **VB212134 R or L**

- Change Width (CW) option **not** available

- Specify R or L for single door hinging
- One standard drawer
- One adjustable shelf
- Scoop Top Drawer (STDW) option available
- ☆ Operational End (OE) is **not** available with Reduced Depth (RD) option

● PE	● ID
● APC	● CH
● APFC	● IF
● FPFB	● TWR
● MI	● WR
● DE	● XS
☆ OE	● GD
● AD_E	● RTK
☆ CW	● VTK
● RD	● TKD

Vanity Base Double Door



31 1/2" High, 18" Deep

- **VB241831**
- **VB271831**
- **VB301831**
- **VB331831**
- **VB361831**

31 1/2" High, 21" Deep

- **VB242131**
- **VB272131**
- **VB302131**
- **VB332131**
- **VB362131**

34 1/2" High, 18" Deep

- **VB241834**
- **VB271834**
- **VB301834**
- **VB331834**
- **VB361834**

34 1/2" High, 21" Deep

- **VB242134**
- **VB272134**
- **VB302134**
- **VB332134**
- **VB362134**

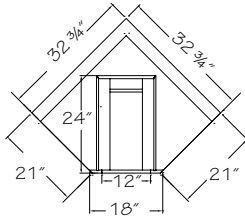
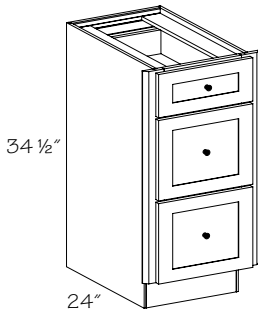
- Change Width (CW) option **not** available

- One adjustable shelf
- One standard drawer
- Scoop Top Drawer (STDW) option available
- ☆ Operational End (OE) is **not** available with Reduced Depth (RD) option

● PE	● ID
● APC	● CH
● APFC	● IF
● FPFB	● TWR
● MI	● WR
● DE	● XS
☆ OE	● GD
● AD_E	● RTK
☆ CW	● VTK
● RD	● TKD

Vanity Drawer Base Angle Three Drawer

VDA332134 .3



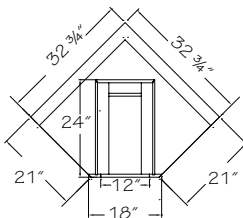
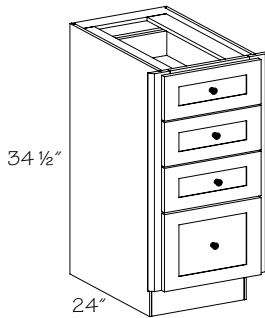
All dimensions are to outside of frame

- Angled frame designed for diagonal corner installation only
- Scoop Top Drawer (STDW) option available

● PE	ID
● APC	CH
● APFC	IF
● FPEB	● TWR
MI	WR
DE	XS
OE	GD
AD_E	RTK
CW	● VTK
RD	TKD

Vanity Drawer Base Angle Four Drawer

VDA332134 .4

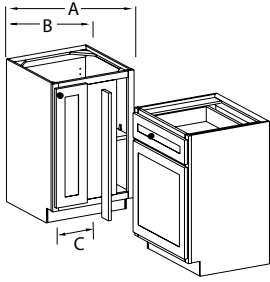


All dimensions are to outside of frame

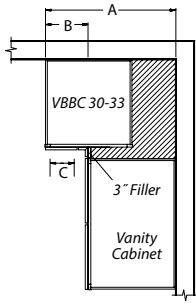
- Angled frame designed for diagonal corner installation only
- Scoop Top Drawer (STDW) option available

● PE	ID
● APC	CH
● APFC	IF
● FPEB	● TWR
MI	WR
DE	XS
OE	GD
AD_E	RTK
CW	● VTK
RD	TKD

Vanity Base Blind Corner Cabinet Information



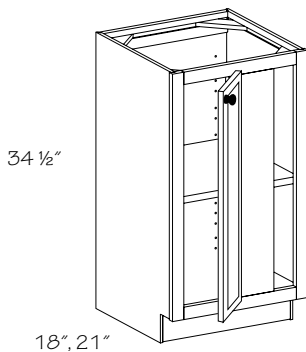
- Specify R or L; R or L indicates blind
- All vanity blind corner cabinets **must** be pulled. Consult chart or pull dimensions and minimum wall space requirements
- Door hinged on same side as blind on single door cabinets
- A 3" vanity filler is included with each VBBC cabinet ordered, shipped separately. Vanity cabinet adjacent to VBBC may be ordered with an extended stile in lieu of installing supplied filler
- Overlay Panel for Wall Blind Corner Cabinet (OPWBC) is recommended for full overlay door styles and **must** be ordered separately; see Base Accessories Section
- Right blind shown



Cabinet	½" Overlay						Full Overlay					
	Wall Space "A"		Exposed Front "B"		Door Open	Cab. Width	Wall Space "A"		Exposed Front "B"		Door Open	Cab. Width
	Min ★	Max.	Min ★	Max			Min ★	Max	Min ★	Max		
VBBC 3018	28 ½"	32 ¼"	10 ½"	13 ¼"	6"	18"	30"	32 ¼"	12"	13 ¼"	6"	18"
VBBC 33	31 ½"	37 ¼"	10 ½"	16 ¼"	6"	21"	33"	38 ¾"	12"	17 ¾"	6"	21"

★Dimensions "A" and "B" minimum requirements include optional decorative hardware clearance. You may deduct 1 1/4" if hardware is not used.

Vanity Base Blind Corner



18" Deep

VBBC301834 R or L

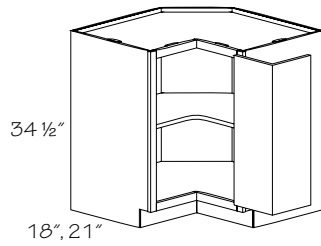
21" Deep

VBBC332134 R or L

- Specify R or L; R or L indicates blind
- Door is hinged from blind panel
- Right blind shown
- One adjustable shelf
- 3" filler included

● PE	● ID
● APC	● CH
● APFC	● IF
● FPFB	● TWR
● MI	● WR
● DE	● XS
● OE	● GD
● AD_E	● RTK
● CW	● VTK
● RD	● TKD

Vanity Easy Reach



18" Deep

- **VEZR271834 R or L**
VEZR301834 R or L

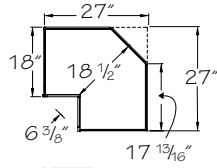
21" Deep

- **VEZR302134 R or L**
VEZR332134 R or L

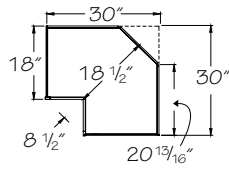
- Wood-Grain Foil door styles will be supplied as vertical grain slabs

- Specify R or L for single door hinging
- One fixed shelf
- Doors are profiled on one long and two short edges and are connected with hinges
- Angled back provides clearance for installation
- Contrasting Back Options (CBEB, CPLB, CVGR) **not** available
- **Note:** Does **not** include Soft-Close feature

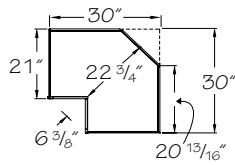
● PE	● ID
● APC	● CH
● APFC	● IF
● FPEB	● TWR
● MI	● WR
● DE	● XS
● OE	● GD
● AD_E	● RTK
● CW	● VTK
● RD	● TKD



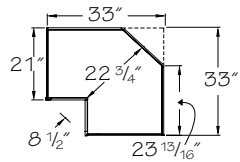
VEZR271834



VEZR301834



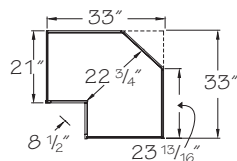
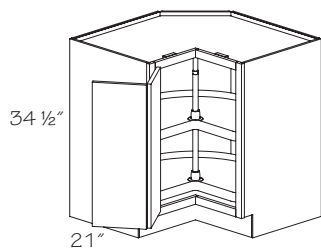
VEZR302134



VEZR332134

Vanity Easy Reach Wood Lazy Susan

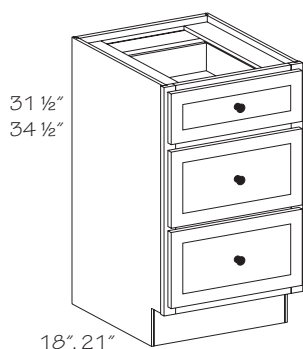
VEZR332134 R or L.WLS



- Specify R or L for single door hinging
- Two pie-cut 28" diameter rotating shelves
- Angled back provides clearance for installation
- Doors are profiled on one long and two short edges and are connected with hinges
- Face frame is scooped for hinge installation on full overlay door styles
- Back Options (BEB and VGRB) **not** available
- Contrasting Back Options (CBEB, CPLB, CVGR) **not** available
- **Note:** Does **not** include Soft-Close feature

● PE	● ID
● APC	● CH
● APFC	● IF
● FPFB	● TWR
● MI	● WR
● DE	● XS
● OE	● GD
● AD_E	● RTK
● CW	● VTK
● RD	● TKD

Vanity Base Drawer



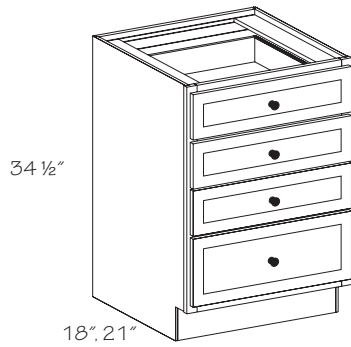
- | | |
|-----------------------|-----------------------|
| ○ VBD121831 .3 | ○ VBD122134 .3 |
| ○ VBD151831 .3 | ○ VBD152134 .3 |
| ○ VBD181831 .3 | ○ VBD182134 .3 |
| ○ VBD122131 .3 | ▲ VBD212134 .3 |
| ○ VBD152131 .3 | ▲ VBD242134 .3 |
| ○ VBD182131 .3 | ▲ VBD272134 .3 |
| ○ VBD121834 .3 | ▲ VBD302134 .3 |
| ○ VBD151834 .3 | ▲ VBD332134 .3 |
| ○ VBD181834 .3 | ▲ VBD362134 .3 |
| ▲ VBD211834 .3 | |
| ▲ VBD241834 .3 | |
| ▲ VBD271834 .3 | |
| ▲ VBD301834 .3 | |
| ▲ VBD331834 .3 | |
| ▲ VBD361834 .3 | |

- Change Width (CW) option **not** available
- ▲ **Not** available with Vanity Wood Tiered Drawer Storage (VWTDS), Vanity Shallow Wood Tiered Drawer Storage (VSWTDS) and Vanity Adjustable Drawer Divider (VADD)

- One standard drawer
- Two deep drawers
- Optional Vanity Wood Tiered Drawer Storage (VWTDS), Vanity Shallow Wood Tiered Drawer Storage (VSWTDS) and Vanity Adjustable Drawer Divider (VADD) are available
- Scoop Top Drawer (STDW) option available

● PE	● ID
● APC	● CH
● APFC	● IF
● FPFB	● TWR
● MI	● WR
● DE	● XS
● OE	● GD
● AD_E	● RTK
☆ CW	● VTK
● RD	● TKD

Vanity Base Four Drawer



18" Deep

- **VBD121834 .4**
- **VBD151834 .4**
- **VBD181834 .4**
- ▲ **VBD211834 .4**
- ▲ **VBD241834 .4**
- ▲ **VBD271834 .4**
- ▲ **VBD301834 .4**
- ▲ **VBD331834 .4**
- ▲ **VBD361834 .4**

21" Deep

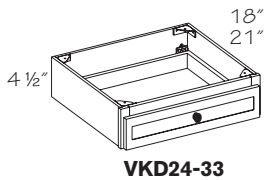
- **VBD122134 .4**
- **VBD152134 .4**
- ▲ **VBD182134 .4**
- ▲ **VBD212134 .4**
- ▲ **VBD242134 .4**
- ▲ **VBD272134 .4**
- ▲ **VBD302134 .4**
- ▲ **VBD332134 .4**
- ▲ **VBD362134 .4**

- Change Width (CW) option **not** available
- ▲ **Not** available with Vanity Wood Tiered Drawer Storage (VWTDs), Vanity Shallow Wood Tiered Drawer Storage (VSWTDs) and Vanity Adjustable Drawer Divider (VADD)

- Three standard height drawers
- One deep drawer
- Optional Vanity Wood Tiered Drawer Storage (VWTDs), Vanity Shallow Wood Tiered Drawer Storage (VSWTDs) and Vanity Adjustable Drawer Divider (VADD) are available
- Scoop Top Drawer (STDW) option available

● PE	● ID
● APC	● CH
● APFC	● IF
● FPEB	● TWR
● MI	● WR
● DE	● XS
● OE	● GD
● AD_E	● RTK
☆ CW	● VTK
● RD	● TKD

Vanity Knee Drawer



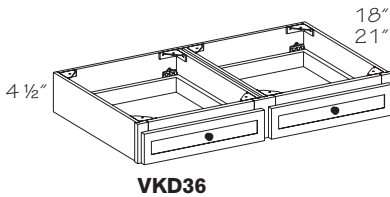
18" Deep

- **VKD2418**
- **VKD2718**
- **VKD3018**
- **VKD3318**
- ▲ **VKD3618**

21" Deep

- **VKD2421**
- **VKD2721**
- **VKD3021**
- **VKD3321**
- ▲ **VKD3621**

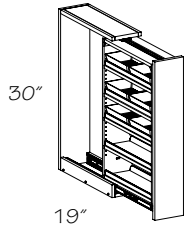
- ▲ Two drawers side by side



- Unit is designed for use between two Vanity cabinets
- Slab drawer in all all door styles except Martel
- **Not** trimmable
- ☆ End panels are 1/2" plywood with Natural Birch printed wood grain laminate interior and exterior

☆ PE	● ID
● APC	● CH
● APFC	● IF
● FPEB	● TWR
● MI	● WR
● DE	● XS
● OE	● GD
● AD_E	● RTK
● CW	● VTK
● RD	● TKD

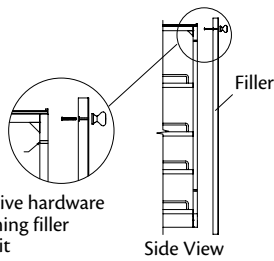
Vanity Filler Pull-out



VFP32130
VFP62130

- Four adjustable shelves, one fixed shelf
- Includes six clear plastic trays; replacements available. See Vanity Accessories section
- Unit slides on full extension side-mount runners
- Crafted or Quartersawn door styles will be supplied in plain sawn wood
- Painted or Stained hardwood supplied for Wood-Grain Foil door styles
- Recommended installation is between two cabinets
- Installation may also be made between a cabinet and a wall or a cabinet and an end panel with stile
- Filler is included, but unattached. Unit should be installed before removing shipping brace and attaching filler
- A filler overlay is recommended for full overlay door styles; **must** be ordered separately
- No toe kick

PE	ID
APC	CH
APFC	IF
FPEB	TWR
MI	WR
DE	XS
OE	GD
AD_E	RTK
CW	VTK
RD	TKD

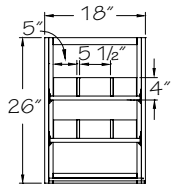
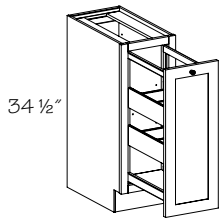


Install decorative hardware prior to attaching filler to pull-out unit

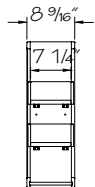
Side View

Vanity Base Pull-out

VBP122134 7 1/4" shelf width



Side view

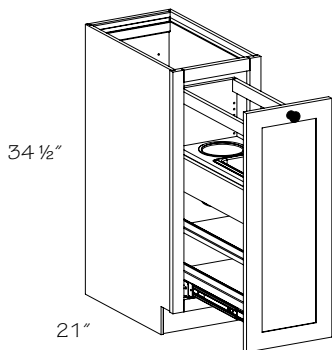


Front view

- One fixed wood shelf attached to the bottom of a full-height door
- Two adjustable shelves
- Two removable dividers in each adjustable shelf
- Unit slides on heavy duty full extension runners with integrated buffer

● PE	● ID
● APC	● CH
● APFC	● IF
● FPEB	● TWR
● MI	● WR
● DE	● XS
● OE	● GD
● AD_E	● RTK
● CW	● VTK
● RD	● TKD

Vanity Base Pull-out Appliance

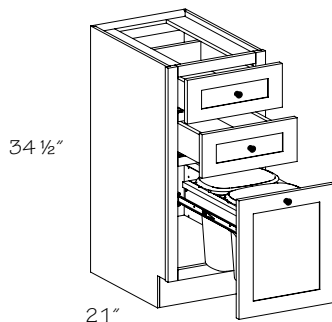


VPOA122134

- One fixed wood shelf attached to the bottom of a full-height door
- Two adjustable shelves
- Unit slides on full extension side-mount runners
- Includes two metal trays for curling irons, hair dryers, etc

● PE	● ID
● APC	● CH
● APFC	● IF
● FPFB	● TWR
● MI	● WR
● DE	● XS
● OE	● GD
● AD_E	● RTK
● CW	● VTK
● RD	● TKD

Vanity Base Top Mount Wastebasket-Double

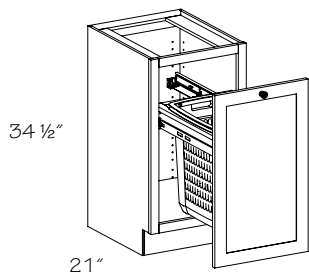


With Sidemount Soft-Close
VBWBT152134 .SC

- 10 qt. capacity baskets
- Basket(s) are easily removable for emptying or cleaning
- Basket(s) rest in a Natural Maple plywood frame
- Two standard drawers
- Frame slides on full extension glides
- Optional Wastebasket Drawer Partition (WDP) is available

● PE	● ID
● APC	● CH
● APFC	● IF
● FPFB	● TWR
● MI	● WR
● DE	● XS
● OE	● GD
● AD_E	● RTK
● CW	● VTK
● RD	● TKD

Vanity Base Hamper Top Mount

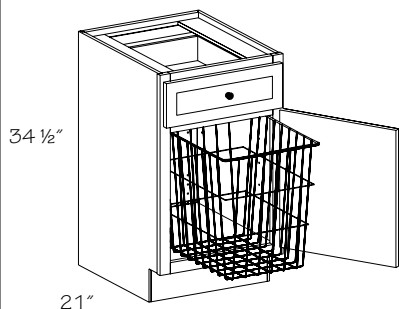


VHBT182134

- Hamper is mold and mildew resistant white plastic
- Hamper is easily removable for emptying or cleaning
- Hamper has lid
- Frame slides on extra-extended full extension glides
- Hamper Dimensions:

● PE	● ID
● APC	● CH
● APFC	● IF
● FPFB	● TWR
● MI	● WR
● DE	● XS
● OE	● GD
● AD_E	● RTK
● CW	● VTK
● RD	● TKD

Vanity Hamper Base

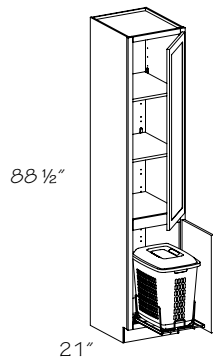


VHB152134 R or L
VHB182134 R or L

- Specify R or L for single door hinging
- One standard drawer
- Epoxy coated pull-out hamper
- Hamper Dimensions:

● PE	● ID
● APC	● CH
● APFC	● IF
● FPFB	● TWR
● MI	● WR
● DE	● XS
● OE	● GD
● AD_E	● RTK
● CW	● VTK
● RD	● TKD

Vanity Hamper Linen Cabinet 88 1/2" H

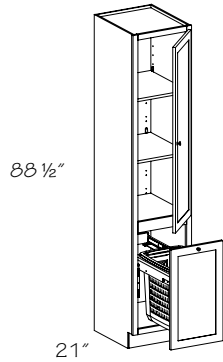


VHLC182188 R or L

- Specify R or L for single door hinging
- Two adjustable, full-depth shelves
- Removable hamper
- Hamper is mold and mildew resistant white plastic
- Hamper has lid
- Hamper slides on full extension glides
- Hamper Dimensions:
- **Not** available in mitered Wood-Grain Foil door styles

● PE	● ID
● APC	● CH
● APFC	● IF
● FPEB	● TWR
● MI	● WR
● DE	● XS
● OE	● GD
● AD_E	● RTK
● CW	● VTK
● RD	● TKD

Vanity Hamper Linen Cabinet Top Mount 88 1/2" H

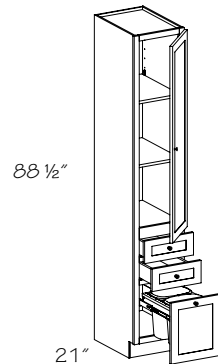


VHLC182188 R or L

- Specify R or L for single door hinging
- Two adjustable, full-depth shelves
- Hamper is mold and mildew resistant white plastic
- Hamper is easily removable for emptying or cleaning
- Hamper has lid
- Frame slides on extra-extended full extension glides
- Hamper Dimensions:
- **Not** available in mitered Wood-Grain Foil door styles

● PE	● ID
● APC	● CH
● APFC	● IF
● FPEB	● TWR
● MI	● WR
● DE	● XS
● OE	● GD
● AD_E	● RTK
● CW	● VTK
● RD	● TKD

Vanity Linen Cabinet Top Mount Wastebasket-Double 88 1/2" H

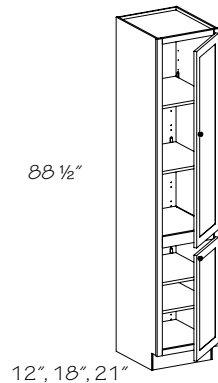


VLCWBT152188 R or L.2

- Specify R or L for single door hinging
- Two adjustable, full-depth shelves
- Two standard drawers
- 10 qt. capacity baskets
- Basket(s) rest in a Natural Maple plywood frame
- Basket(s) are easily removable for emptying or cleaning
- Frame slides on full extension glides
- Optional Wastebasket Drawer Partition (WDP) is available
- **Not** available in mitered Wood-Grain Foil door styles

● PE	● ID
● APC	● CH
● APFC	● IF
● FPEB	● TWR
● MI	● WR
● DE	● XS
● OE	● GD
● AD_E	● RTK
● CW	● VTK
● RD	● TKD

Vanity Linen Cabinet 88 1/2" H



12" Deep

VLC151288 R or L

VLC181288 R or L

VLC211288 R or L

18" Deep

VLC151888 R or L

VLC181888 R or L

VLC211888 R or L

21" Deep

VLC152188 R or L

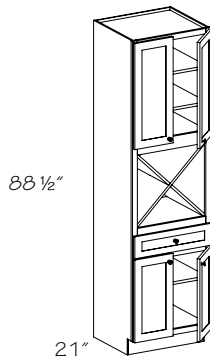
VLC182188 R or L

VLC212188 R or L

- Specify R or L for single door hinging
- Four adjustable shelves
- **Not** available in mitered Wood-Grain Foil door styles
- ☆ Operational End (OE) is **not** available with Reduced Depth (RD) option
- ☆ Glass inserts **not** available Top and Bottom, Top and Bottom and End, Top and Bottom and Ends Both

● PE	● ID
● APC	● CH
● APFC	● IF
● FPEB	● TWR
● MI	● WR
● DE	● XS
☆ OE	☆ GD
● AD_E	● RTK
● CW	● VTK
● RD	● TKD

Vanity Linen Towel Storage

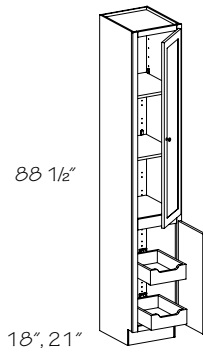


VTL242188

- One full-depth shelf in lower section
- Two full-depth shelves in upper section
- One standard drawer
- **Not** available in mitered Wood-Grain Foil door styles

PE	ID
❖ APC	CH
● APFC	IF
FPEB	TWR
❖ MI	● WR
DE	● XS
OE	● GD
● AD_E	● RTK
CW	● VTK
RD	● TKD

Vanity Linen Cabinet Deluxe Roll-out Tray (2)



18" Deep

VLC151888 R or L.2DXROT

VLC181888 R or L.2DXROT

VLC211888 R or L.2DXROT

21" Deep

VLC152188 R or L.2DXROT

VLC182188 R or L.2DXROT

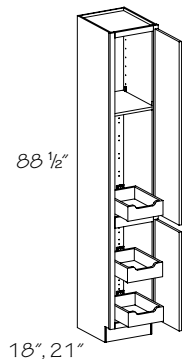
VLC212188 R or L.2DXROT

- Specify R or L for single door hinging
- Two adjustable shelves in upper section
- Roll-out Trays (ROT) are 4" deep, 5/8" solid wood dovetailed sides with 3/16" plywood bottom, notched front and full extension runners with integrated buffer
- **Not** available in mitered Wood-Grain Foil door styles

PE	ID
● APC	CH
● APFC	IF
● FPEB	TWR
● MI	● WR
● DE	● XS
OE	☆ GD
● AD_E	● RTK
● CW	● VTK
● RD	● TKD

☆ Glass doors available for top doors only

Vanity Linen Cabinet Deluxe Roll-out Tray (3)



18" Deep

VLC151888 R or L.3DXROT

VLC181888 R or L.3DXROT

VLC211888 R or L.3DXROT

21" Deep

VLC152188 R or L.3DXROT

VLC182188 R or L.3DXROT

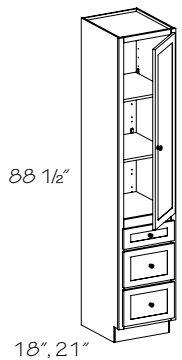
VLC212188 R or L.3DXROT

- Specify R or L for single door hinging
- One adjustable full-depth shelf in upper section
- Roll-out Trays (ROT) are 4" deep, 5/8" solid wood dovetailed sides with 3/16" plywood bottom, notched front and full extension runners with integrated buffer
- **Not** available in mitered Wood-Grain Foil door styles

PE	ID
● APC	CH
● APFC	IF
● FPEB	TWR
● MI	● WR
● DE	● XS
OE	☆ GD
● AD_E	● RTK
● CW	● VTK
● RD	● TKD

☆ Glass doors available for top doors only

Vanity Linen Cabinet Three Drawer



18" Deep

VLC151888 R or L.3

VLC181888 R or L.3

21" Deep

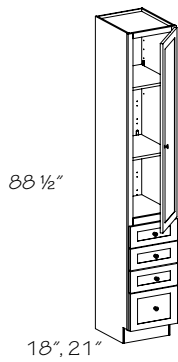
VLC152188 R or L.3

VLC182188 R or L.3

- Specify R or L for single door hinging
- Two adjustable shelves in upper section
- One standard drawer
- Two deep drawers
- Optional Vanity Wood Tiered Drawer Storage (VWTDS), Vanity Shallow Wood Tiered Drawer Storage (VSWTDS) and Vanity Adjustable Drawer Divider (VADD) are available
- **Not** available in mitered Wood-Grain Foil door styles

PE	ID
● APC	CH
● APFC	IF
● FPEB	TWR
● MI	● WR
● DE	● XS
OE	● GD
● AD_E	● RTK
● CW	● VTK
● RD	● TKD

Vanity Linen Cabinet Four Drawer



18" Deep

VLC151888 R or L.4

VLC181888 R or L.4

21" Deep

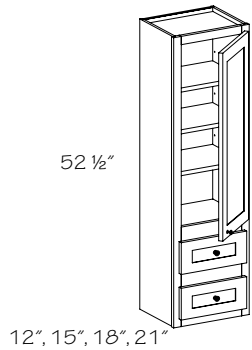
VLC152188 R or L.4

VLC182188 R or L.4

- Specify R or L for single door hinging
- Two adjustable shelves in upper section
- Three standard height drawers
- One deep drawer
- Optional Vanity Wood Tiered Drawer Storage (VWTDS), Vanity Shallow Wood Tiered Drawer Storage (VSWTDS) and Vanity Adjustable Drawer Divider (VADD) are available
- **Not** available in mitered Wood-Grain Foil door styles

● PE	● ID
● APC	● CH
● APFC	● IF
● FPEB	● TWR
● MI	● WR
● DE	● XS
● OE	● GD
● AD_E	● RTK
● CW	● VTK
● RD	● TKD

Vanity Linen Short Two Drawer



12" Deep

VLC151252 R or L.2

15" Deep

VLC151552 R or L.2

18" Deep

VLC151852 R or L.2

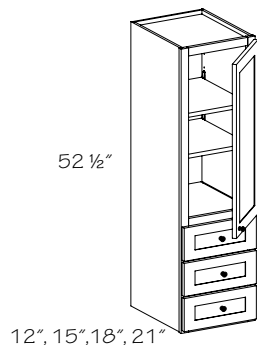
21" Deep

VLC152152 R or L.2

- Specify R or L for single door hinging
- Three adjustable shelves in upper section(s)
- Two standard drawers

● PE	● ID
● APC	● CH
● APFC	● IF
● FPEB	● TWR
● MI	● WR
● DE	● XS
● OE	● GD
● AD_E	● RTK
● CW	● VTK
● RD	● TKD

Vanity Linen Short Three Drawer



12" Deep

VLC151252 R or L.3

15" Deep

VLC151552 R or L.3

18" Deep

VLC151852 R or L.3

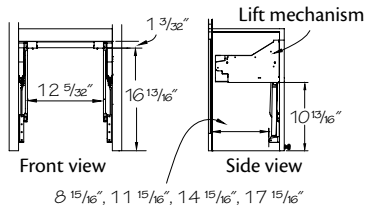
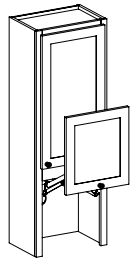
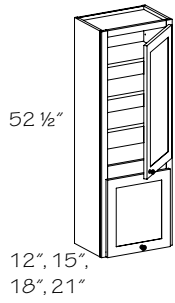
21" Deep

VLC152152 R or L.3

- Specify R or L for single door hinging
- Two adjustable shelves in upper section
- Three standard height drawers

● PE	● ID
● APC	● CH
● APFC	● IF
● FPEB	● TWR
● MI	● WR
● DE	● XS
● OE	● GD
● AD_E	● RTK
● CW	● VTK
● RD	● TKD

Vanity Vertical Lift Door Wall Cabinet

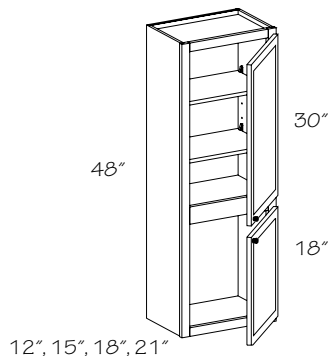


12" Deep
VV181252 R or L
 15" Deep
VV181552 R or L
 18" Deep
VV181852 R or L
 21" Deep
VV182152 R or L

- Specify R or L for single door hinging
- Three adjustable shelves in upper section(s)
- Clearance from countertop to bottom of door is 20 1/32"
- Bottom door is always square
- Shelves shipped separately
- Void All Door and Drawer Front option (VDA) is *not* available
- ☆ Glass doors available for top doors only
- ☆ Minimum Reduced Depth (RD) is 12"

● PE	● ID
● APC	● CH
● APFC	● IF
● FPEB	TWR
● MI	WR
● DE	● XS
OE	☆ GD
AD_E	RTK
CW	VTK
☆ RD	TKD

Vanity Linen Cabinet 48" H

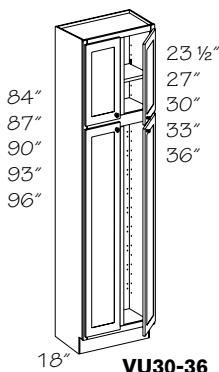
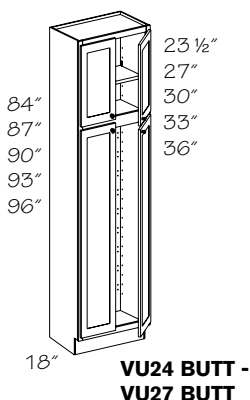
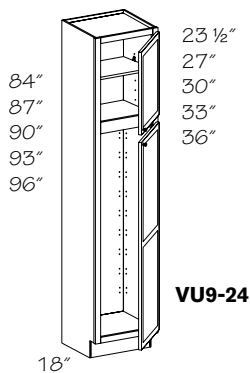


12" Deep
VLC151248 R or L
VLC181248 R or L
 15" Deep
VLC151548 R or L
VLC181548 R or L
 18" Deep
VLC151848 R or L
VLC181848 R or L
 21" Deep
VLC152148 R or L
VLC182148 R or L

- Specify R or L for single door hinging
- Two adjustable shelves in upper section
- Bottom door is always square
- ☆ Operational End (OE) is *not* available with Reduced Depth (RD) option

● PE	● ID
● APC	● CH
● APFC	● IF
● FPEB	TWR
● MI	WR
● DE	● XS
☆ OE	● GD
AD_E	RTK
● CW	VTK
● RD	TKD

Vanity Utility Cabinet 18" Deep



84" High		93" High	
*+○★	VU91884 R or L	*○★	VU91893 R or L
	VU121884 R or L		VU121893 R or L
	VU151884 R or L		VU151893 R or L
	VU181884 R or L		VU181893 R or L
	VU211884 R or L		VU211893 R or L
	VU241884 R or L		VU241893 R or L
○□	VU241884 BUTT	○□	VU241893 BUTT
	VU271884 (Butt)		VU271893 (Butt)
	VU301884 BUTT		VU301893 BUTT
	VU331884 BUTT		VU331893 BUTT
	VU361884 BUTT		VU361893 BUTT

87" High		96" High	
*+○★	VU91887 R or L	*○★	VU91896 R or L
	VU121887 R or L		VU121896 R or L
	VU151887 R or L		VU151896 R or L
	VU181887 R or L		VU181896 R or L
	VU211887 R or L		VU211896 R or L
	VU241887 R or L		VU241896 R or L
○□	VU241887 BUTT	○□	VU241896 BUTT
	VU271887 (Butt)		VU271896 (Butt)
	VU301887 BUTT		VU301896 BUTT
	VU331887 BUTT		VU331896 BUTT
	VU361887 BUTT		VU361896 BUTT

90" High	
*+○★	VU91890 R or L
	VU121890 R or L
	VU151890 R or L
	VU181890 R or L
	VU211890 R or L
	VU241890 R or L
○□	VU241890 BUTT
	VU271890 (Butt)
	VU301890 BUTT
	VU331890 BUTT
	VU361890 BUTT

- * Doors are square except full overlay arch door styles. Thermofoil door styles will always be square
- + Toe Kick Drawer (TKD) option not available
- Change Width (CW) option *not* available
- ★ Glass door option *not* available
- Change Height (CH) option *not* available

- Specify R or L for single door hinging
- Includes adjustable shelves in upper section: 84" & 87" high—one shelf; 90" & 93" high—two shelves; 96" high—three shelves
- Factory installed Roll-out Trays (ROT) are *not* available on Utility Cabinets wider than 24"

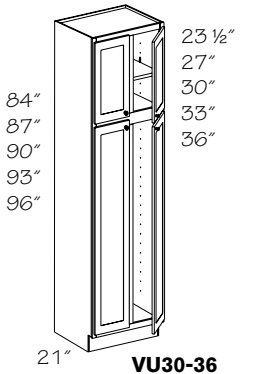
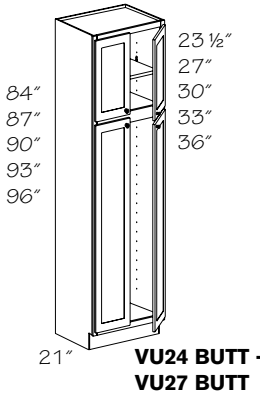
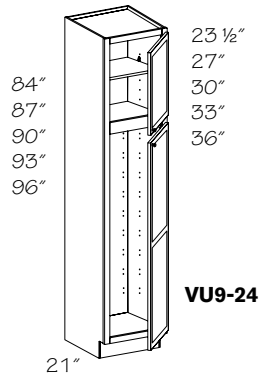
● PE	☆ ID
● APC	☆ CH
● APFC	☆ IF
● FPFB	TWR
● MI	☆ WR
● DE	● XS
☆ OE	☆ GD
● AD_E	☆ RTK
☆ CW	☆ VTK
● RD	☆ TKD

- Toe kick is shipped separately on 93" & 96" high cabinets
- ☆ When Inverted Frame (IF) is chosen in arched door styles, VU18, VU24 and VU24BUTT cabinets will have arched doors. All other cabinet sizes will be supplied with square doors
- ☆ Operational End (OE) is *not* available with Increased Depth (ID) or Reduced Depth (RD) options
- ☆ Toe Kick Drawer (TKD), Wide Bottom Glass (WR) and Recessed Toe Kick (RTK) *not* available on 93" & 96" high cabinets
- ☆ Void Toe Kick (VTK) is *not* available on 93" and 96" high cabinets
- ☆ Glass on top and bottom - select glass designs only
- **Note:** Shelf Kit (SK) for lower section *must* be ordered separately; see Shelving section



Remember to order a 3/16" skin (WSK) for the exposed ends of 93" & 96" high cabinets to conceal the seam between the loose toe kick and the cabinet.

Vanity Utility Cabinet 21" Deep



84" High
*+○★ **VU92184 R or L**
 VU122184 R or L
 VU152184 R or L
 VU182184 R or L
 VU212184 R or L
 VU242184 R or L
○□ **VU242184 BUTT**
 VU272184 (Butt)
 VU302184 BUTT
 VU332184 BUTT
 VU362184 BUTT

87" High
*+○★ **VU92187 R or L**
 VU122187 R or L
 VU152187 R or L
 VU182187 R or L
 VU212187 R or L
 VU242187 R or L
○□ **VU242187 BUTT**
 VU272187 (Butt)
 VU302187 BUTT
 VU332187 BUTT
 VU362187 BUTT

90" High
*+○★ **VU92190 R or L**
 VU122190 R or L
 VU152190 R or L
 VU182190 R or L
 VU212190 R or L
 VU242190 R or L
○□ **VU242190 BUTT**
 VU272190 (Butt)
 VU302190 BUTT
 VU332190 BUTT
 VU362190 BUTT

93" High
*○★ **VU92193 R or L**
 VU122193 R or L
 VU152193 R or L
 VU182193 R or L
 VU212193 R or L
 VU242193 R or L
○□ **VU242193 BUTT**
 VU272193 (Butt)
 VU302193 BUTT
 VU332193 BUTT
 VU362193 BUTT

96" High
*○★ **VU92196 R or L**
 VU122196 R or L
 VU152196 R or L
 VU182196 R or L
 VU212196 R or L
 VU242196 R or L
○□ **VU242196 BUTT**
 VU272196 (Butt)
 VU302196 BUTT
 VU332196 BUTT
 VU362196 BUTT

- * Doors are square except full overlay arch door styles. Thermofoil door styles will always be square
- + Toe Kick Drawer (TKD) option not available
- Change Width (CW) option *not* available
- ★ Glass door option *not* available
- Change Height (CH) option *not* available

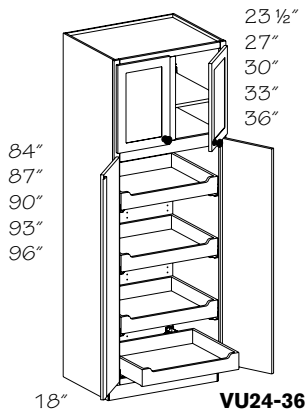
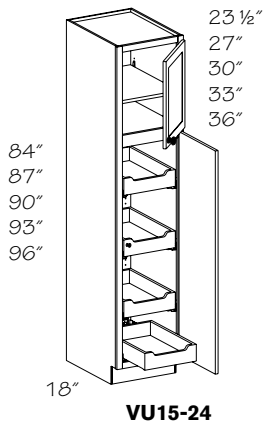
- Specify R or L for single door hinging
- Factory installed Roll-out Trays (ROT) are *not* available on Utility Cabinets wider than 24"
- Toe kick is shipped separately on 93" & 96" high cabinets
- ☆ When Inverted Frame (IF) is chosen in arched door styles, VU18, VU24 and VU24BUTT cabinets will have arched doors. All other cabinet sizes will be supplied with square door
- ☆ Operational End (OE) is *not* available with Increased Depth (ID) or Reduced Depth (RD) options
- ☆ Wide Bottom Rail (WR) and Recessed Toe Kick (RTK) *not* available on 93" & 96" high cabinets
- ☆ Maximum Increased Depth (ID) is 24"
- ☆ Void Toe Kick (VTK) is *not* available on 93" and 96" high cabinets
- ☆ Toe Kick Drawer (TKD), Wide Bottom Rail (WR) and Recessed Toe Kick (RTK) *not* available on 93" & 96" high cabinets
- ☆ Glass on top and bottom - select glass designs only
- **Note:** Shelf Kit (SK) for lower section *must* be ordered separately; see Shelving section



Remember to order a 3/16" skin (WSK) for the exposed ends of 93" & 96" high cabinets to conceal the seam between the loose toe kick and the cabinet.

● PE	☆ ID
● APC	☆ CH
● APFC	☆ IF
● FPEB	TWR
● MI	☆ WR
● DE	● XS
☆ OE	☆ GD
● AD_E	☆ RTK
☆ CW	☆ VTK
☆ RD	☆ TKD

Vanity Utility Cabinet 18" Deep w/Deluxe Dovetailed Roll-out Tray



84" High

VU151884 R or L.4DXROT

VU181884 R or L.4DXROT

VU211884 R or L.4DXROT

VU241884 R or L.4DXROT

○ **VU241884 BUTT.4DXROT**

VU271884 (Butt).4DXROT

VU301884 BUTT.4DXROT

VU331884 BUTT.4DXROT

VU361884 BUTT.4DXROT

87" High

VU151887 R or L.4DXROT

VU181887 R or L.4DXROT

VU211887 R or L.4DXROT

VU241887 R or L.4DXROT

○ **VU241887 BUTT.4DXROT**

VU271887 (Butt).4DXROT

VU301887 BUTT.4DXROT

VU331887 BUTT.4DXROT

VU361887 BUTT.4DXROT

90" High

VU151890 R or L.4DXROT

VU181890 R or L.4DXROT

VU211890 R or L.4DXROT

VU241890 R or L.4DXROT

○ **VU241890 BUTT.4DXROT**

VU271890 (Butt).4DXROT

VU301890 BUTT.4DXROT

VU331890 BUTT.4DXROT

VU361890 BUTT.4DXROT

93" High

VU151893 R or L.4DXROT

VU181893 R or L.4DXROT

VU211893 R or L.4DXROT

VU241893 R or L.4DXROT

○ **VU241893 BUTT.4DXROT**

VU271893 (Butt).4DXROT

VU301893 BUTT.4DXROT

VU331893 BUTT.4DXROT

VU361893 BUTT.4DXROT

96" High

VU151896 R or L.4DXROT

VU181896 R or L.4DXROT

VU211896 R or L.4DXROT

VU241896 R or L.4DXROT

○ **VU241896 BUTT.4DXROT**

VU271896 (Butt).4DXROT

VU301896 BUTT.4DXROT

VU331896 BUTT.4DXROT

VU361896 BUTT.4DXROT

○ Change Width (CW) option *not* available

□ Change Height (CH) option *not* available

- Specify R or L for single door hinging
- Four adjustable Roll-out Trays (ROT) included in lower section
- Includes adjustable shelves in upper section: 84" & 87" high—one shelf; 90" & 93" high—two shelves; 96" high—three shelves
- Roll-out Trays (ROT) shipped separately on 27"–36" wide units
- Roll-out Trays (ROT) *cannot* be included when a Reduced Depth (RD) option of less than 18" is selected
- 27"–36" wide units *not* available with Reduced Depth (RD)
- Toe kick is shipped separately on 93" & 96" high cabinets
- ☆ When Inverted Frame (IF) is chosen in arched door styles, VU18, VU24 and VU24BUTT cabinets will have arched doors. All other cabinet sizes will be supplied with square door
- ☆ Void Toe Kick (VTK) is *not* available on 93" and 96" high cabinets
- ☆ Glass doors available for top doors only

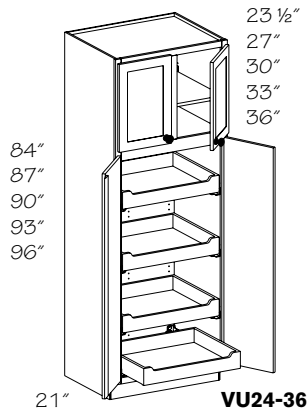
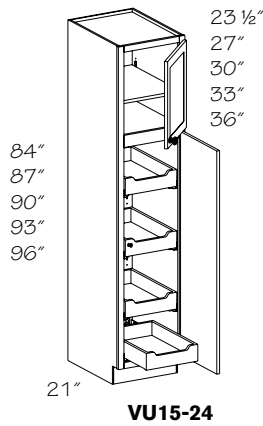
● PE	ID
● APC	☆ CH
● APFC	IF
● FPFB	TWR
● MI	☆ WR
● DE	● XS
● OE	☆ GD
● AD_E	☆ RTK
☆ CW	☆ VTK
● RD	☆ TKD



Remember to remove the white plastic "feet" from the bottom of all tall cabinets before installation.

Their sole purpose is to protect the floor after the cabinets are unboxed. Leaving them on will result in an uneven installation.

Vanity Utility Cabinet 21" Deep w/Deluxe Dovetailed Roll-out Tray



84" High

VU152184 R or L.4DXROT

VU182184 R or L.4DXROT

VU212184 R or L.4DXROT

VU242184 R or L.4DXROT

○□ **VU242184 BUTT.4DXROT**

VU272184 (Butt).4DXROT

VU302184 BUTT.4DXROT

VU332184 BUTT.4DXROT

VU362184 BUTT.4DXROT

87" High

VU152187 R or L.4DXROT

VU182187 R or L.4DXROT

VU212187 R or L.4DXROT

VU242187 R or L.4DXROT

○□ **VU242187 BUTT.4DXROT**

VU272187 (Butt).4DXROT

VU302187 BUTT.4DXROT

VU332187 BUTT.4DXROT

VU362187 BUTT.4DXROT

90" High

VU152190 R or L.4DXROT

VU182190 R or L.4DXROT

VU212190 R or L.4DXROT

VU242190 R or L.4DXROT

○□ **VU242190 BUTT.4DXROT**

VU272190 (Butt).4DXROT

VU302190 BUTT.4DXROT

VU332190 BUTT.4DXROT

VU362190 BUTT.4DXROT

93" High

VU152193 R or L.4DXROT

VU182193 R or L.4DXROT

VU212193 R or L.4DXROT

VU242193 R or L.4DXROT

○□ **VU242193 BUTT.4DXROT**

VU272193 (Butt).4DXROT

VU302193 BUTT.4DXROT

VU332193 BUTT.4DXROT

VU362193 BUTT.4DXROT

96" High

VU152196 R or L.4DXROT

VU182196 R or L.4DXROT

VU212196 R or L.4DXROT

VU242196 R or L.4DXROT

○□ **VU242196 BUTT.4DXROT**

VU272196 (Butt).4DXROT

VU302196 BUTT.4DXROT

VU332196 BUTT.4DXROT

VU362196 BUTT.4DXROT

○ Change Width (CW) option *not* available

□ Change Height (CH) option *not* available

• Specify R or L for single door hinging

• Four adjustable Roll-out Trays (ROT) included in lower section

• Includes adjustable shelves in upper section: 84" & 87" high—one shelf; 90" & 93" high—two shelves; 96" high—three shelves

• Roll-out Trays (ROT) shipped separately on 27"–36" wide units

• Roll-out Trays (ROT) *cannot* be included when a Reduced Depth (RD) option of less than 18" is selected

• 27"–36" wide units *not* available with Reduced Depth (RD)

• Toe kick is shipped separately on 93" & 96" high cabinets

☆ When Inverted Frame (IF) is chosen in arched door styles, VU18, VU24 and VU24BUTT cabinets will have arched doors. All other cabinet sizes will be supplied with square door

☆ Maximum Increased Depth (ID) is 24"

☆ Wide Bottom Rail (WR) and Recessed Toe Kick (RTK) *not* available on 93" & 96" high cabinets

☆ Void Toe Kick (VTK) is *not* available on 93" and 96" high cabinets

☆ Glass doors available for top doors only

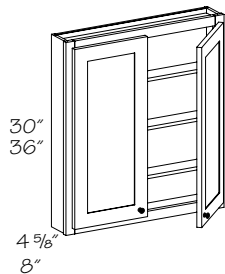
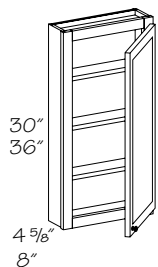


Remember to remove the white plastic "feet" from the bottom of all tall cabinets before installation.

Their sole purpose is to protect the floor after the cabinets are unboxed. Leaving them on will result in an uneven installation.

● PE	☆ ID
● APC	☆ CH
● APFC	☆ IF
● FPFB	TWR
● MI	☆ WR
● DE	● XS
● OE	☆ GD
● AD_E	☆ RTK
☆ CW	☆ VTK
● RD	☆ TKD

Vanity Wall Cabinet



4 5/8" Deep
30" High

VW120430 R or L

VW150430 R or L

VW240430

VW270430

4 5/8" Deep
36" High

VW120436 R or L

VW150436 R or L

VW240436

VW270436

8" Deep
30" High

VW120830 R or L

VW150830 R or L

VW240830

VW270830

8" Deep
36" High

VW120836 R or L

VW150836 R or L

VW240836

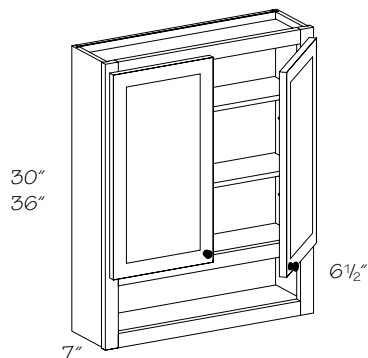
VW270836

Change Width (CW) option *not* available

- Specify R or L for single door hinging
- Three adjustable 1/2" thick shelves
- Contrasting Back Options (CBEB, CPLB, CVGR) *not* available

● PE	● ID
● APC	● CH
● APFC	IF
● FPFB	TWR
● MI	WR
DE	● XS
OE	● GD
AD_E	RTK
☆ CW	VTK
RD	TKD

Vanity Wall Boutique



30" High

VWB2430

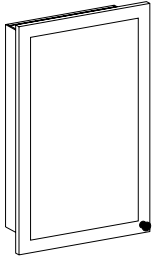
36" High

VWB2436

- Two adjustable shelves
- Replacement shelf available; specify WSVWB24

● PE	● ID
● APC	● CH
● APFC	IF
● FPFB	TWR
❖ MI	WR
DE	● XS
OE	● GD
AD_E	RTK
CW	VTK
● RD	TKD

Vanity Wall–Recessed Mount



VWR1727.18
VWR1727.24

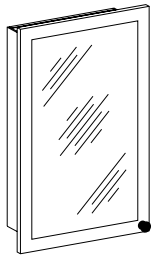
Rough-in Dimensions

Cabinet	Width	Height	Depth
VWR1727•18	14 ¼"	18"	3 ¾"
VWR1727•24	14 ¼"	24"	3 ¾"

- Designed for recess installation
- Two adjustable 1/2" thick shelves
- Reversible (manufactured hinge left)
- If ordered in an arched door style, it will be supplied square
- Door Sizes:
1/2" Overlay = 17" 1/2 x 28"
Full Overlay = 17 5/8" x 29 5/8"
- Contrasting Back Options (CBEB, CPLB, CVGR) **not** available
- **Not** available with Aluminum Frame Glass doors
- **Not** available in EverCore®, High-Gloss Foil or Wood-Grain Foil door styles
- **Note:** Does **not** include Soft-Close feature

● PE	ID
● APC	CH
● APFC	IF
● FPEB	TWR
● MI	WR
DE	XS
OE	● GD
AD_E	RTK
CW	VTK
RD	TKD

Mirror Cabinet–Recessed Mount



MC1727.18
MC1727.24

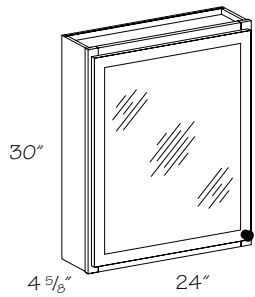
Rough-in Dimensions

Cabinet	Width	Height	Depth
MC1727•18	14 ¼"	18"	3 ¾"
MC1727•24	14 ¼"	24"	3 ¾"

- Designed for recess installation
- Two adjustable 1/2" thick shelves
- Reversible (manufactured hinge left)
- If ordered in an arched door style, it will be supplied square
- This cabinet door includes a representative profile that may **not** match the chosen door style exactly, but will blend with most
- Door Size is 17" x 27 1/2" for all overlays
- Contrasting Back Options (CBEB, CPLB, CVGR) **not** available
- **Not** available in EverCore®, High-Gloss Foil or Wood-Grain Foil door styles
- **Note:** Does **not** include Soft-Close feature

● PE	ID
● APC	CH
● APFC	IF
● FPEB	TWR
● MI	WR
DE	XS
OE	GD
AD_E	RTK
CW	VTK
RD	TKD

Mirror Cabinet–Surface Mount

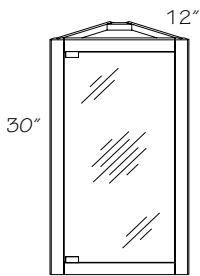


MC2430

- Designed for surface mount installation
- Three adjustable 1/2" thick shelves
- Reversible (manufactured hinge left)
- If ordered in an arched door style, it will be supplied square
- Face frame has profiled outer edge
- Contrasting Back Options (CBEB, CPLB, CVGR) **not** available
- **Not** available in EverCore®, High-Gloss Foil or Wood-Grain Foil door styles

● PE	ID
● APC	CH
● APFC	IF
● FPFB	TWR
● MI	WR
DE	XS
OE	GD
AD_E	RTK
CW	VTK
RD	TKD

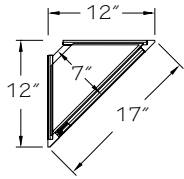
Vanity Mirror Angle Cabinet



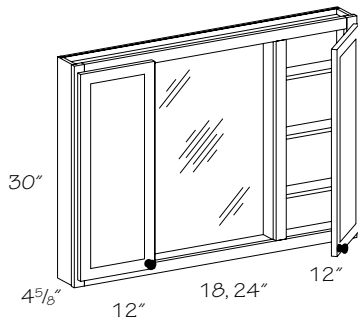
VMA1230 .PC
VMA1230 .SN

- Two adjustable 1/2" thick shelves
- Reversible (manufactured hinge left)
- Hinges and touch latch available in Polished Chrome (PC) or Satin Nickel (SN)
- Painted or Stained hardwood supplied for Wood-Grain Foil door styles
- Contrasting Back Options (CBEB, CPLB, CVGR) **not** available

● PE	ID
● APC	CH
● APFC	IF
● FPFB	TWR
● MI	WR
DE	XS
OE	GD
AD_E	RTK
CW	VTK
RD	TKD



Vanity Mirror Cabinet

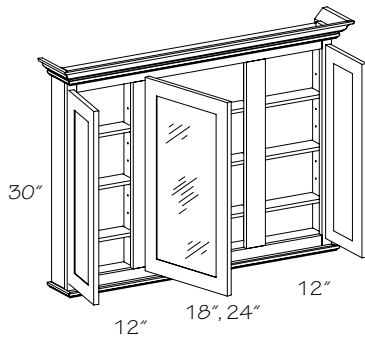


VMC4230
VMC4830

- Designed for surface mount installation
- Six adjustable 1/2" thick shelves
- Recessed center mirror
- Contrasting Back Options (CBEB, CPLB, CVGR) **not** available
- **Not** available in High-Gloss Foil door styles

● PE	ID
● APC	CH
● APFC	IF
● FPFB	TWR
● MI	WR
DE	● XS
OE	● GD
AD_E	RTK
CW	VTK
RD	TKD

Vanity Mirror Cabinet Storage



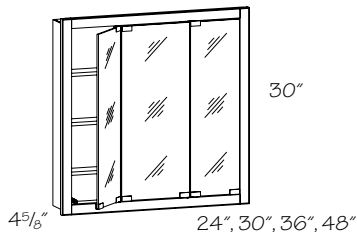
VMCS4230 .ACM
VMCS4830 .ACM
VMCS4230 .CCM
VMCS4830 .CCM
VMCS4230 .LCM
VMCS4830 .LCM
 * **VMCS4230 .LCVM**
 * **VMCS4830 .LCVM**
VMCS4230 .LFDM
VMCS4830 .LFDM
VMCS4230 .T
VMCS4830 .T

* Available in Cherry, EverCore®, Thermofoil, Maple and White Wood-Grain Foil door styles only

- Solid wood frame, top and bottom plate
- Nine adjustable 1/2" shelves
- Trimmed with choice of Angle Crown Molding (ACM), Classic Crown Molding (CCM), Large Crown Molding (LCM), Large Cove Molding (LCVM) or Large Federal Molding (LFDM), Traditional Molding (T)
- Molding is plain sawn wood in quartersawn door styles
- Contrasting Back Options (CBEB, CPLB, CVGR) **not** available
- **Not** available in High-Gloss Foil door styles
- **Not** available in Wood-Grain Foil slab door styles

● PE	ID
● APC	CH
● APFC	IF
● FPEB	TWR
● MI	WR
DE	XS
OE	● GD
AD_E	RTK
CW	VTK
RD	TKD

Tri View Mirror



TV2430 .PC
TV3030 .PC
TV3630 .PC
TV4830 .PC
TV2430 .SN
TV3030 .SN
TV3630 .SN
TV4830 .SN

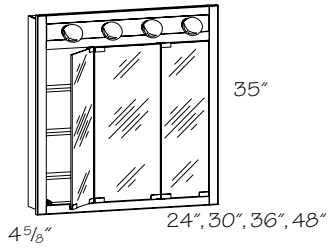
- For surface mount or recess installation
- Three adjustable 1/2" thick shelves
- Hinges and touch latch available in Polished Chrome (PC) or Satin Nickel (SN)
- Painted or Stained hardwood supplied for Wood-Grain Foil door styles

● PE	ID
● APC	CH
● APFC	IF
● FPEB	TWR
● MI	WR
DE	XS
OE	GD
AD_E	RTK
CW	VTK
RD	TKD

Rough-in Dimensions

Cabinet	Width	Height	Depth
TV2430	23 1/16"	28 3/4"	3 7/8"
TV3030	29 1/16"	28 3/4"	3 7/8"
TV3630	35 1/16"	28 3/4"	3 7/8"
TV4830	47 1/16"	28 3/4"	3 7/8"

Lighted Tri View Mirror



LTV2435 .PC
LTV3035 .PC
LTV3635 .PC
LTV4835 .PC
LTV2435 .SN
LTV3035 .SN
LTV3635 .SN
LTV4835 .SN

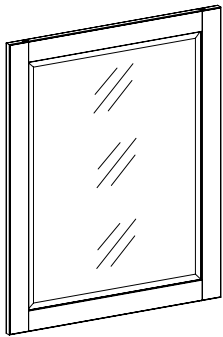
- For surface mount or recess installation
- Three adjustable 1/2" thick shelves
- Light bar, hinges and touch latch available in Polished Chrome (PC) or Satin Nickel (SN)
- Light bulbs **not** included
- Painted or Stained hardwood supplied for Wood-Grain Foil door styles

● PE	ID
● APC	CH
● APFC	IF
● FPFB	TWR
● MI	WR
DE	XS
OE	GD
AD_E	RTK
CW	VTK
RD	TKD

Rough-in Dimensions

Cabinet	Width	Height	Depth	# lights
LTV2435	23 1/16"	33 3/4"	3 7/8"	3
LTV3035	29 1/16"	33 3/4"	3 7/8"	4
LTV3635	35 1/16"	33 3/4"	3 7/8"	5
LTV4835	47 1/16"	33 3/4"	3 7/8"	7

Flat Framed Beveled Mirror



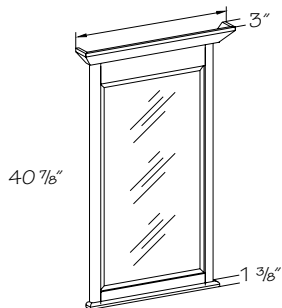
FM2130 .F
FM2430 .F
FM2136 .F
FM2436 .F

- Painted or Stained hardwood supplied for Wood-Grain Foil door styles

PE	ID
APC	CH
APFC	IF
FPFB	TWR
MI	WR
DE	XS
OE	GD
AD_E	RTK
CW	VTK
RD	TKD

Framed Mirror—Angle Crown

24 7/8", 27 7/8", 30 7/8", 33 7/8",
 36 7/8", 39 7/8", 45 7/8", 51 7/8"



FM2136 .ACM
FM2436 .ACM
FM2736 .ACM
FM3036 .ACM
FM3336 .ACM
FM3636 .ACM
FM4236 .ACM
FM4836 .ACM

- Solid wood frame, top and bottom plate
- Decorative Angle Crown Molding (ACM8)
- Routed bottom plate
- Beveled mirror
- Crafted or Quartersawn door styles will be supplied in plain sawn wood
- Painted or Stained hardwood supplied for Wood-Grain Foil door styles

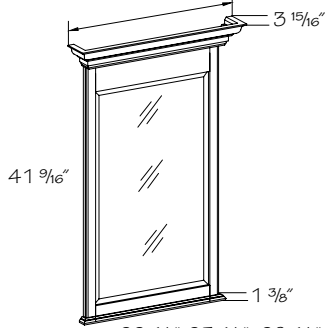
PE	ID
APC	CH
APFC	IF
FPFB	TWR
MI	WR
DE	XS
OE	GD
AD_E	RTK
CW	VTK
RD	TKD



Consider using a Replacement Door with a Mirage (MIR) glass insert for a wider range of sizes when selecting a mirror.

22", 25", 28", 31",
 34", 37", 43", 49"

25 13/16", 28 13/16", 31 13/16", 34 13/16",
37 13/16", 40 13/16", 46 13/16", 52 13/16"



22 1/4", 25 1/4", 28 1/4", 31 1/4",
34 1/4", 37 1/4", 43 1/4", 49 1/4"

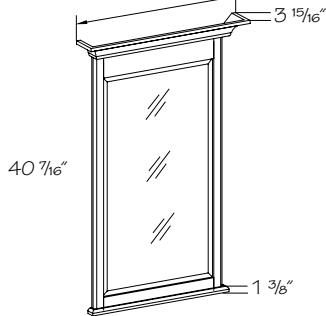
Framed Mirror-Classic

FM2136 .CCM
FM2436 .CCM
FM2736 .CCM
FM3036 .CCM
FM3336 .CCM
FM3636 .CCM
FM4236 .CCM
FM4836 .CCM

- Solid wood frame, top and bottom plate
- Decorative Classic Crown Molding (CCM8)
- Routed top and bottom plate
- Beveled mirror
- Crafted or Quartersawn door styles will be supplied in plain sawn wood
- Painted or Stained hardwood supplied for Wood-Grain Foil door styles

PE	ID
APC	CH
APFC	IF
FPEB	TWR
MI	WR
DE	XS
OE	GD
AD_E	RTK
CW	VTK
RD	TKD

26", 29", 32", 35",
38", 41", 47", 53"



22", 25", 28", 31",
34", 37", 43", 49"

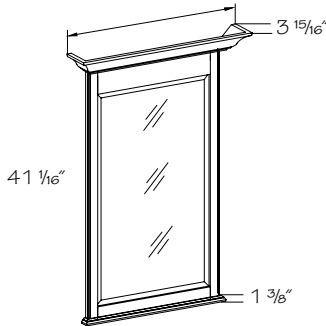
Framed Mirror-Large Cove

FM2136 .LCVM
FM2436 .LCVM
FM2736 .LCVM
FM3036 .LCVM
FM3336 .LCVM
FM3636 .LCVM
FM4236 .LCVM
FM4836 .LCVM

- Solid wood frame, top and bottom plate
- Decorative Large Cove Molding (LCVM8)
- Routed top and bottom plate
- Beveled mirror
- Crafted or Quartersawn door styles will be supplied in plain sawn wood
- **Not** available in Rustic Alder door styles
- Painted or Stained hardwood supplied for Wood-Grain Foil door styles

PE	ID
APC	CH
APFC	IF
FPEB	TWR
MI	WR
DE	XS
OE	GD
AD_E	RTK
CW	VTK
RD	TKD

26 15/16", 29 15/16", 32 15/16", 35 15/16",
38 15/16", 41 15/16", 47 15/16", 53 15/16"



22 1/4", 25 1/4", 28 1/4", 31 1/4",
34 1/4", 37 1/4", 43 1/4", 49 1/4"

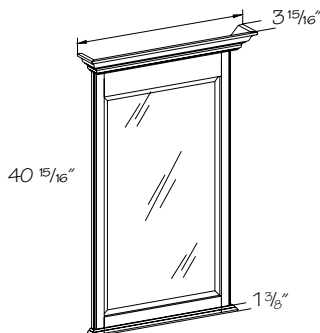
Framed Mirror-Large Crown

FM2136 .LCM
FM2436 .LCM
FM2736 .LCM
FM3036 .LCM
FM3336 .LCM
FM3636 .LCM
FM4236 .LCM
FM4836 .LCM

- Solid wood frame, top and bottom plate
- Decorative Large Crown Molding (LCM8)
- Routed top and bottom plate
- Beveled mirror
- Crafted or Quartersawn door styles will be supplied in plain sawn wood
- Painted or Stained hardwood supplied for Wood-Grain Foil door styles

PE	ID
APC	CH
APFC	IF
FPEB	TWR
MI	WR
DE	XS
OE	GD
AD_E	RTK
CW	VTK
RD	TKD

25 7/16", 28 7/16", 31 7/16", 34 7/16",
37 7/16", 40 7/16", 46 7/16", 52 7/16"



22 1/4", 25 1/4", 28 1/4", 31 1/4",
34 1/4", 37 1/4", 43 1/4", 49 1/4"

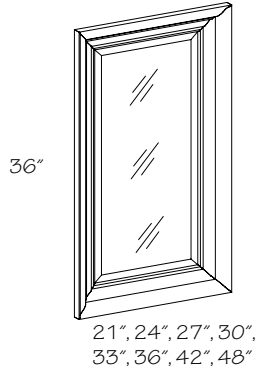
Framed Mirror-Traditional

FM2136 .T
FM2436 .T
FM2736 .T
FM3036 .T
FM3336 .T
FM3636 .T
FM4236 .T
FM4836 .T

- Solid wood frame, top and bottom plate
- Decorative Crown Molding (CM8)
- Routed top and bottom plate
- Beveled mirror
- Crafted or Quartersawn door styles will be supplied in plain sawn wood
- Painted or Stained hardwood supplied for Wood-Grain Foil door styles

PE	ID
APC	CH
APFC	IF
FPEB	TWR
MI	WR
DE	XS
OE	GD
AD_E	RTK
CW	VTK
RD	TKD

Portrait Framed Mirror–Classic

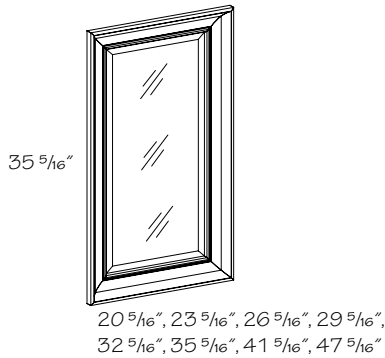


- PFM2136 .CCM**
- PFM2436 .CCM**
- PFM2736 .CCM**
- PFM3036 .CCM**
- PFM3336 .CCM**
- PFM3636 .CCM**
- PFM4236 .CCM**
- PFM4836 .CCM**

- Decorative Classic Crown Molding (CCM8)
- Beveled mirror
- Crafted or Quartersawn door styles will be supplied in plain sawn wood
- Painted or Stained hardwood supplied for Wood-Grain Foil door styles

PE	ID
APC	CH
APFC	IF
FPEB	TWR
MI	WR
DE	XS
OE	GD
AD_E	RTK
CW	VTK
RD	TKD

Portrait Framed Mirror–Cove

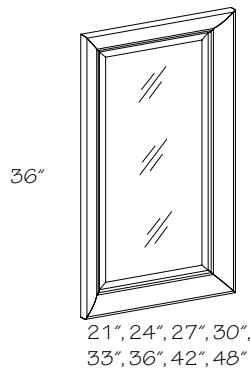


- PFM2136 .LCVM**
- PFM2436 .LCVM**
- PFM2736 .LCVM**
- PFM3036 .LCVM**
- PFM3336 .LCVM**
- PFM3636 .LCVM**
- PFM4236 .LCVM**
- PFM4836 .LCVM**

- Decorative Large Cove Molding (LCVM8)
- Beveled mirror
- Crafted or Quartersawn door styles will be supplied in plain sawn wood
- **Not** available in Rustic Alder door styles
- Painted or Stained hardwood supplied for Wood-Grain Foil door styles

PE	ID
APC	CH
APFC	IF
FPEB	TWR
MI	WR
DE	XS
OE	GD
AD_E	RTK
CW	VTK
RD	TKD

Portrait Framed Mirror–Federal

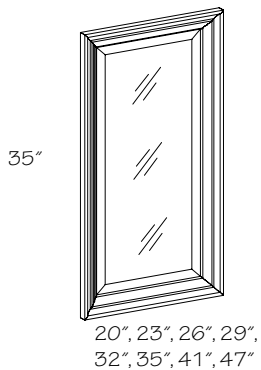


- PFM2136 .LFDM**
- PFM2436 .LFDM**
- PFM2736 .LFDM**
- PFM3036 .LFDM**
- PFM3336 .LFDM**
- PFM3636 .LFDM**
- PFM4236 .LFDM**
- PFM4836 .LFDM**

- Decorative Large Federal Molding (LFDM8)
- Beveled mirror
- Available in Cherry, EverCore®, Thermofoil, Maple and White Wood-Grain Foil door styles only
- Painted hardwood supplied for EverCore® and Thermofoil

PE	ID
APC	CH
APFC	IF
FPEB	TWR
MI	WR
DE	XS
OE	GD
AD_E	RTK
CW	VTK
RD	TKD

Portrait Framed Mirror–Traditional



- PFM2136 .CM**
- PFM2436 .CM**
- PFM2736 .CM**
- PFM3036 .CM**
- PFM3336 .CM**
- PFM3636 .CM**
- PFM4236 .CM**
- PFM4836 .CM**

- Decorative Crown Molding (CM8)
- Beveled mirror
- Crafted or Quartersawn door styles will be supplied in plain sawn wood
- Painted or Stained hardwood supplied for Wood-Grain Foil door styles

PE	ID
APC	CH
APFC	IF
FPEB	TWR
MI	WR
DE	XS
OE	GD
AD_E	RTK
CW	VTK
RD	TKD

Vanity Collections

Construction Options and Modifications

VCDF	60	18	34	.S1
code	width	depth	height	series

Available in full overlay door styles only.

All Decorative Accent Vanities come with a matching 1/2" plywood toe kick as standard.

Decorative Skirts add 1 5/16" to the frame width

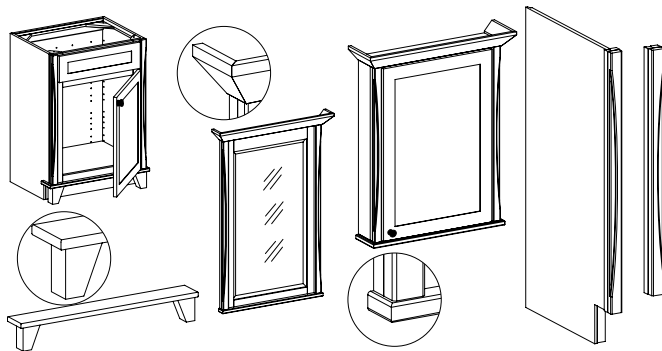
Material dimensions listed may vary slightly from actual dimensions of the product.

Specifications subject to change without notice.

- ❖ Included as standard
- Available with an upcharge
- ☆ Available with exceptions
- (Blank) **Not** available

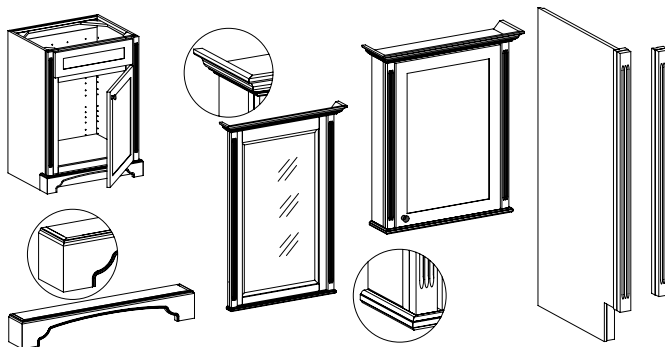
- APFC All Plywood Furniture Construction
- FPEB Furniture Plywood Ends
- MI Matching Interior
- DE Integrated Decorative End
- AD_E Attached Decorative End
- RD Reduced Depth
- TWR Top Wide Rail
- WR Wide Bottom Rail
- XS Extended Stile
- GD Glass Doors
- RTK Recessed Toe Kick
- VTK Void Toe Kick

Montrose Collection (S1)



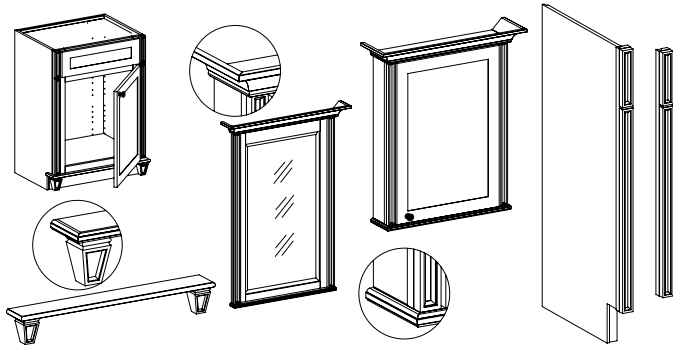
- This collection offers soft curved lines and tapered feet that give the flexibility to take the room from contemporary to casual farmhouse or craftsman styles.
- Angle Crown Molding (ACM) is applied to tops of Vanity Walls and Mirrors; a solid wood plate with eased edges is applied to the bottom
- 1 1/2" side accents are softly curved and chamfered
- Toe kick accent includes 3/4" plate with tapered legs
- Toe kick skirt ships separately for field installation
- Simple, understated, clean line door styles are recommended to achieve the best design aesthetics
- Available in Rustic Alder, Cherry, EverCore®, Thermofoil and Maple and full overlay door styles only

Cologne Collection (S2)



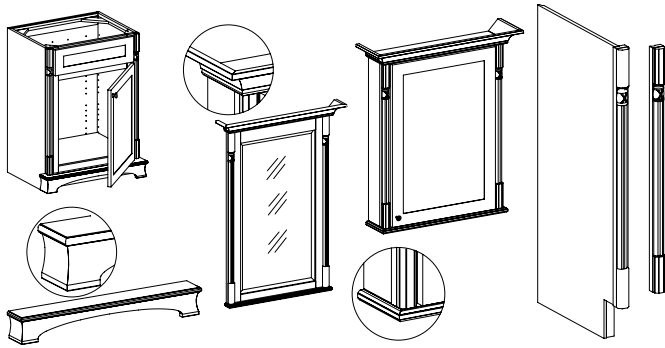
- The classic fluting detail of this style offers the formality of a traditional design aesthetic
- Crown Molding (CM) is applied to tops of Vanity Walls and Mirrors; a solid wood plate with a single bead edge is applied to the bottom
- 1 1/2" fluted side accents
- Toe kicks feature a formal, architectural skirt with a beaded edge
- Toe kick skirt ships separately for field installation |
- Available in Rustic Alder, Cherry, EverCore®, Thermofoil and Maple and full overlay door styles only

Bayshore Collection (S3)



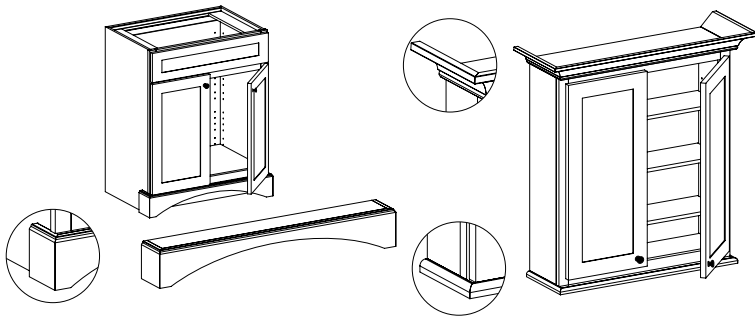
- The carved linear column detail and tapered feet are reminiscent of classic, fine furniture design
- Large Cove Molding (LCVM) is applied to tops of Vanity Walls and Mirrors; a solid wood plate with a single bead edge is applied to the bottom
- 1 1/2" carved linear column side accents
- Toe kick accent includes 3/4", single bead edged plate, and carved details on tapered legs
- Toe kick skirt ships separately for field installation
- Door style and finish combinations will drive the styling of these pieces from soft modern to classic
- Available in Rustic Alder, Cherry, EverCore®, Thermofoil and Maple and full overlay door styles only

Prescott Collection (S4)



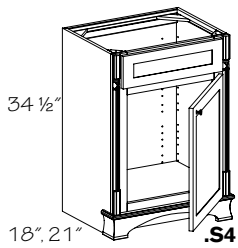
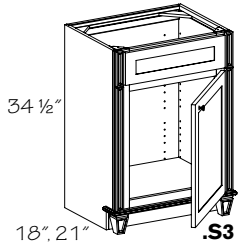
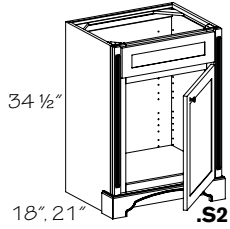
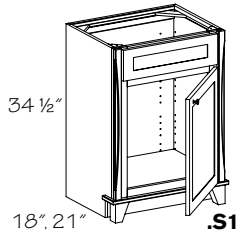
- Elegant timeless details and the curved skirt create a heritage inspired design
- Large Cove Molding (LCVM) is applied to tops of Vanity Walls and Mirrors; a solid wood plate with a single bead edge is applied to the bottom
- 1 1/2" carved ornamental side accents
- Toe kicks feature a flared valence style skirt
- Toe kick skirt ships separately for field installation
- Available in Cherry, EverCore®, Thermofoil and Maple full overlay door styles only

Fairfield Collection (S5)



- The clean lines and cove valance give this collection universal appeal
- Large Cove Molding (LCVM) is applied to tops of Vanity Walls and Mirrors; a solid wood plate with a single bead edge is applied to the bottom
- FM.LCVM is correct framed mirror to use when matching this series
- No side accents
- Toe kicks feature a simple, yet sophisticated cove skirt
- Toe kick skirt ships separately for field installation
- Available in Cherry, EverCore®, Thermofoil and Maple full overlay door styles only

Vanity Sink Base Single Door w/Decorative Accents



34 1/2" High, 18" Deep

VSB241834 R or L.S1

VSB241834 R or L.S2

VSB241834 R or L.S3

VSB241834 R or L.S4

34 1/2" High, 21" Deep

VSB242134 R or L.S1

VSB242134 R or L.S2

VSB242134 R or L.S3

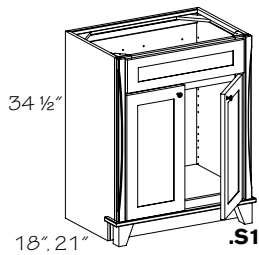
VSB242134 R or L.S4

- Specify R or L for single door hinging
- Single door and drawer front
- Optional Utensil Trays (UT and SUT) are available
- Optional Door Storage Unit (SBDSU) is available

●	APFC
❖	FPEB
●	MI
●	DE
●	AD_E
●	RD
●	TWR
	WR
	XS
●	GD
	RTK
	VTK

Vanity Sink Base Double Door w/Decorative Accents

●	APFC
◇	FPEB
●	MI
●	DE
●	AD_E
●	RD
●	TWR
WR	
XS	
●	GD
RTK	
VTK	



34 1/2" High, 18" Deep

VSB241834 .S5

▲ **VSB271834 .S1**

▲ **VSB271834 .S2**

VSB271834 .S3

VSB271834 .S4

VSB271834 .S5

▲ **VSB301834 .S1**

▲ **VSB301834 .S2**

VSB301834 .S3

VSB301834 .S4

VSB301834 .S5

VSB331834 .S1

VSB331834 .S2

VSB331834 .S3

VSB331834 .S4

VSB331834 .S5

VSB361834 .S1

VSB361834 .S2

VSB361834 .S3

VSB361834 .S4

VSB361834 .S5

VSB391834 .S1

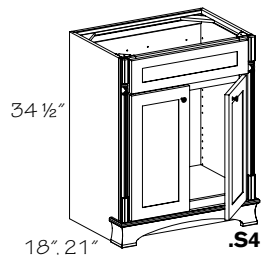
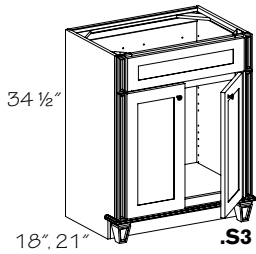
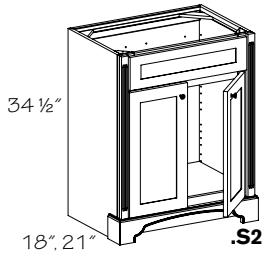
VSB391834 .S2

VSB391834 .S3

VSB391834 .S4

VSB391834 .S5

- Single drawer front
- Optional Utensil Trays (UT and SUT) are available
- Optional Door Storage Unit (SBDSU) is available
- Skirt ships separately



34 1/2" High, 21" Deep

VSB242134 .S5

▲ **VSB272134 .S1**

▲ **VSB272134 .S2**

VSB272134 .S3

VSB272134 .S4

VSB272134 .S5

▲ **VSB302134 .S1**

▲ **VSB302134 .S2**

VSB302134 .S3

VSB302134 .S4

VSB302134 .S5

VSB332134 .S1

VSB332134 .S2

VSB332134 .S3

VSB332134 .S4

VSB332134 .S5

VSB362134 .S1

VSB362134 .S2

VSB362134 .S3

VSB362134 .S4

VSB362134 .S5

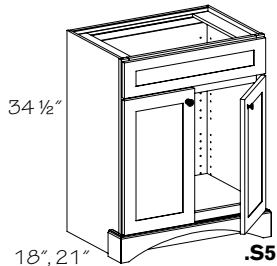
VSB392134 .S1

VSB392134 .S2

VSB392134 .S3

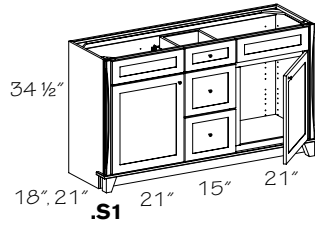
VSB392134 .S4

VSB392134 .S5



▲ Sink Base Door Storage Unit (SBDSU) *not* available

Vanity Sink Base Three Drawer w/Decorative Accents



34 1/2" High, 18" Deep

VS601834 .3.S1

VS601834 .3.S2

VS601834 .3.S3

VS601834 .3.S4

VS601834 .3.S5

34 1/2" High, 21" Deep

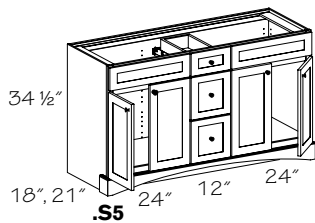
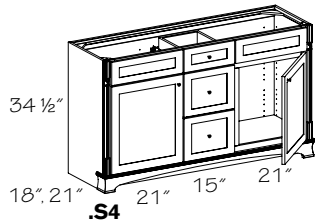
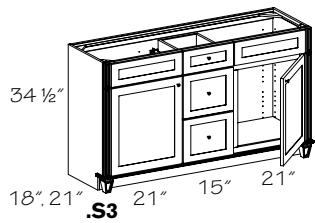
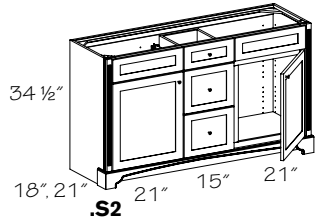
VS602134 .3.S1

VS602134 .3.S2

VS602134 .3.S3

VS602134 .3.S4

VS602134 .3.S5



- Three drawer stack in center
- One standard drawer
- Two deep drawers
- Scoop Top Drawer (STDW) option available
- Optional Door Storage Unit (SBDSU) is available
- Optional Vanity Wood Tiered Drawer Storage (VWTDS), Vanity Shallow Wood Tiered Drawer Storage (VSWTDS) and Vanity Adjustable Drawer Divider (VADD) are available
- A filler is recommended when installing decorative accent vanities against a return wall. Filler is sold separately
- Skirt ships separately

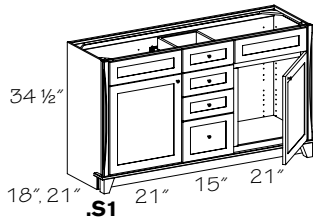


Be sure to account for the 1-1/2" decorative accent on the right and left end of the face frame to ensure the sink vessel is centered over the cabinet doors on decorative collections S1 – S4. The S5 series has no side accents and no adjustments are necessary.

●	APFC
❖	FPEB
●	MI
●	DE
●	AD_E
●	RD
●	TWR
	WR
	XS
●	GD
	RTK
	VTK

Vanity Sink Base Four Drawer w/Decorative Accents

●	APFC
❖	FPEB
●	MI
●	DE
●	AD_E
●	RD
●	TWR
	WR
	XS
●	GD
	RTK
	VTK



34 1/2" High, 18" Deep

VSB601834 .4.S1

VSB601834 .4.S2

VSB601834 .4.S3

VSB601834 .4.S4

VSB601834 .4.S5

34 1/2" High, 21" Deep

VSB602134 .4.S1

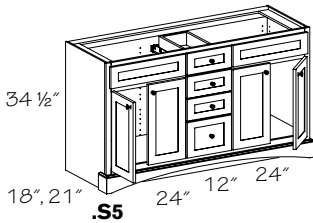
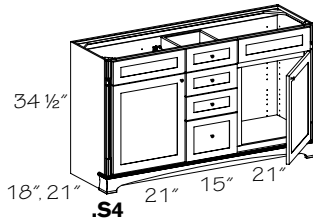
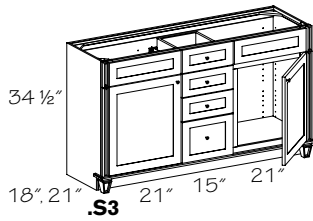
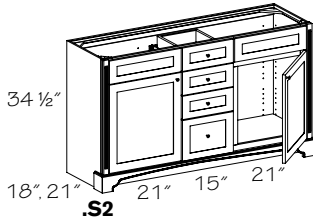
VSB602134 .4.S2

VSB602134 .4.S3

VSB602134 .4.S4

VSB602134 .4.S5

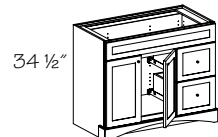
- Four drawer stack in center
- Three standard height drawers
- One deep drawer
- Skirt ships separately
- Scoop Top Drawer (STDW) option available
- Optional Door Storage Unit (SBDSU) is available
- Optional Vanity Wood Tiered Drawer Storage (VWTDS), Vanity Shallow Wood Tiered Drawer Storage (VSWTDS) and Vanity Adjustable Drawer Divider (VADD) are available



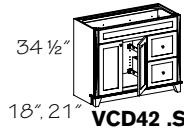
Vanity Combination Drawer w/Decorative Accents (2)



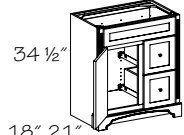
34 1/2"
18", 21"
VCD27 - 36 .S1



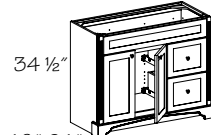
34 1/2"
18", 21"
VCD42 .S5



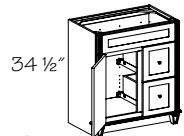
34 1/2"
18", 21"
VCD42 .S1



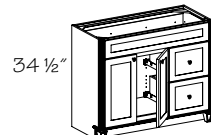
34 1/2"
18", 21"
VCD27 - 36 .S2



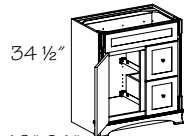
34 1/2"
18", 21"
VCD42 .S2



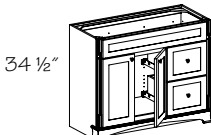
34 1/2"
18", 21"
VCD27 - 36 .S3



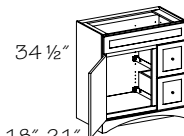
34 1/2"
18", 21"
VCD42 .S3



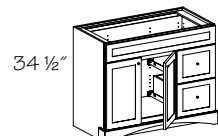
34 1/2"
18", 21"
VCD27 - 36 .S4



34 1/2"
18", 21"
VCD42 .S4



34 1/2"
18", 21"
VCD24 - 36 .S5



34 1/2"
18", 21"
VCD42 .S5

Drawers Left

34 1/2" High, 18" Deep

▲ VCD241834 DL2.S5	12"-12"
▲ VCD271834 DL2.S1	12"-12"
▲ VCD271834 DL2.S2	12"-12"
▲ VCD271834 DL2.S3	12"-12"
▲ VCD271834 DL2.S4	12"-12"
▲ VCD271834 DL2.S5	12"-15"
VCD301834 DL2.S1	12"-15"
VCD301834 DL2.S2	12"-15"
VCD301834 DL2.S3	12"-15"
VCD301834 DL2.S4	12"-15"
VCD301834 DL2.S5	12"-18"
VCD331834 DL2.S1	12"-18"
VCD331834 DL2.S2	12"-18"
VCD331834 DL2.S3	12"-18"
VCD331834 DL2.S4	12"-18"
VCD331834 DL2.S5	12"-21"
VCD361834 DL2.S1	12"-21"
VCD361834 DL2.S2	12"-21"
VCD361834 DL2.S3	12"-21"
VCD361834 DL2.S4	12"-21"
VCD361834 DL2.S5	15"-21"
▲ VCD421834 DL2.S1	15"-24"
▲ VCD421834 DL2.S2	15"-24"
▲ VCD421834 DL2.S3	15"-24"
▲ VCD421834 DL2.S4	15"-24"
▲ VCD421834 DL2.S5	15"-27"

Drawers Left

34 1/2" High, 21" Deep

▲ VCD242134 DL2.S5	12"-12"
▲ VCD272134 DL2.S1	12"-12"
▲ VCD272134 DL2.S2	12"-12"
▲ VCD272134 DL2.S3	12"-12"
▲ VCD272134 DL2.S4	12"-12"
▲ VCD272134 DL2.S5	12"-12"
VCD302134 DL2.S1	12"-15"
VCD302134 DL2.S2	12"-15"
VCD302134 DL2.S3	12"-15"
VCD302134 DL2.S4	12"-15"
VCD302134 DL2.S5	12"-15"
VCD332134 DL2.S1	12"-18"
VCD332134 DL2.S2	12"-18"
VCD332134 DL2.S3	12"-18"
VCD332134 DL2.S4	12"-18"
VCD332134 DL2.S5	12"-18"
VCD362134 DL2.S1	12"-21"
VCD362134 DL2.S2	12"-21"
VCD362134 DL2.S3	12"-21"
VCD362134 DL2.S4	12"-21"
VCD362134 DL2.S5	12"-21"
▲ VCD422134 DL2.S1	15"-24"
▲ VCD422134 DL2.S2	15"-24"
▲ VCD422134 DL2.S3	15"-24"
▲ VCD422134 DL2.S4	15"-24"
▲ VCD422134 DL2.S5	15"-24"

▲ Sink Base Door Storage Unit (SBDSU) *not* available

Drawers Right

34 1/2" High, 18" Deep

Drawer-Door	34 1/2" High, 18" Deep	Door-Drawer
▲ VCD241834 DR2.S5	12"-12"	12"-12"
▲ VCD271834 DR2.S1	12"-12"	12"-12"
▲ VCD271834 DR2.S2	12"-12"	12"-12"
▲ VCD271834 DR2.S3	12"-12"	12"-12"
▲ VCD271834 DR2.S4	12"-12"	12"-12"
▲ VCD271834 DR2.S5	12"-15"	12"-12"
VCD301834 DR2.S1	12"-15"	15"-12"
VCD301834 DR2.S2	12"-15"	15"-12"
VCD301834 DR2.S3	12"-15"	15"-12"
VCD301834 DR2.S4	12"-15"	15"-12"
VCD301834 DR2.S5	12"-18"	15"-12"
VCD331834 DR2.S1	12"-18"	18"-12"
VCD331834 DR2.S2	12"-18"	18"-12"
VCD331834 DR2.S3	12"-18"	18"-12"
VCD331834 DR2.S4	12"-18"	18"-12"
VCD331834 DR2.S5	12"-21"	18"-12"
VCD361834 DR2.S1	12"-21"	21"-12"
VCD361834 DR2.S2	12"-21"	21"-12"
VCD361834 DR2.S3	12"-21"	21"-12"
VCD361834 DR2.S4	12"-21"	21"-12"
VCD361834 DR2.S5	15"-21"	21"-12"
▲ VCD421834 DR2.S1	15"-24"	24"-15"
▲ VCD421834 DR2.S2	15"-24"	24"-15"
▲ VCD421834 DR2.S3	15"-24"	24"-15"
▲ VCD421834 DR2.S4	15"-24"	24"-15"
▲ VCD421834 DR2.S5	15"-27"	24"-15"

Drawers Right

34 1/2" High, 21" Deep

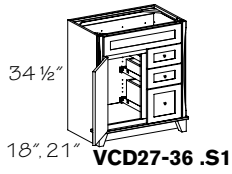
Drawer-Door	34 1/2" High, 21" Deep	Door-Drawer
▲ VCD242134 DR2.S5	12"-12"	12"-12"
▲ VCD272134 DR2.S1	12"-12"	12"-12"
▲ VCD272134 DR2.S2	12"-12"	12"-12"
▲ VCD272134 DR2.S3	12"-12"	12"-12"
▲ VCD272134 DR2.S4	12"-12"	12"-12"
▲ VCD272134 DR2.S5	12"-12"	12"-12"
VCD302134 DR2.S1	12"-15"	15"-12"
VCD302134 DR2.S2	12"-15"	15"-12"
VCD302134 DR2.S3	12"-15"	15"-12"
VCD302134 DR2.S4	12"-15"	15"-12"
VCD302134 DR2.S5	12"-15"	15"-12"
VCD332134 DR2.S1	12"-18"	18"-12"
VCD332134 DR2.S2	12"-18"	18"-12"
VCD332134 DR2.S3	12"-18"	18"-12"
VCD332134 DR2.S4	12"-18"	18"-12"
VCD332134 DR2.S5	12"-18"	18"-12"
VCD362134 DR2.S1	12"-21"	21"-12"
VCD362134 DR2.S2	12"-21"	21"-12"
VCD362134 DR2.S3	12"-21"	21"-12"
VCD362134 DR2.S4	12"-21"	21"-12"
VCD362134 DR2.S5	12"-21"	21"-12"
▲ VCD422134 DR2.S1	15"-24"	24"-15"
▲ VCD422134 DR2.S2	15"-24"	24"-15"
▲ VCD422134 DR2.S3	15"-24"	24"-15"
▲ VCD422134 DR2.S4	15"-24"	24"-15"
▲ VCD422134 DR2.S5	15"-24"	24"-15"

● APFC
❖ FPEB
● MI
● DE
● AD_E
● RD
● TWR
WR
XS
● GD
RTK
VTK

- One drawer front
- Two deep drawers
- Skirt ships separately
- Optional Door Storage Unit (SBDSU) is available
- Optional Vanity Wood Tiered Drawer Storage (VWTDS), Vanity Shallow Wood Tiered Drawer Storage (VSWTDS) and Vanity Adjustable Drawer Divider (VADD) are available

Vanity Combination Drawer w/Decorative Accents (3)

●	APFC
❖	FPEB
●	MI
●	DE
●	AD_E
●	RD
●	TWR
●	WR
●	XS
●	GD
●	RTK
●	VTK



Drawers Left
34 1/2" High, 18" Deep

- ▲ VCD271834 DL3.S1
- ▲ VCD271834 DL3.S2
- ▲ VCD271834 DL3.S3
- ▲ VCD271834 DL3.S4
- ▲ VCD271834 DL3.S5

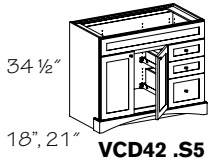
Drawer-Door
34 1/2" High, 18" Deep

- 12"-12" ▲ VCD271834 DR3.S1
- 12"-12" ▲ VCD271834 DR3.S2
- 12"-12" ▲ VCD271834 DR3.S3
- 12"-12" ▲ VCD271834 DR3.S4
- 12"-12" ▲ VCD271834 DR3.S5

Door-Drawer

- 12"-12"
- 12"-12"
- 12"-12"
- 12"-12"
- 12"-12"

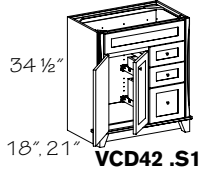
- One drawer front
- Two standard drawers
- One deep drawer
- Skirt ships separately
- Optional Door Storage Unit (SBDSU) is available
- Optional Vanity Wood Tiered Drawer Storage (VWTDS), Vanity Shallow Wood Tiered Drawer Storage (VSWTDS) and Vanity Adjustable Drawer Divider (VADD) are available



- VCD301834 DL3.S1
- VCD301834 DL3.S2
- VCD301834 DL3.S3

- 12"-15" VCD301834 DR3.S1
- 12"-15" VCD301834 DR3.S2
- 12"-15" VCD301834 DR3.S3

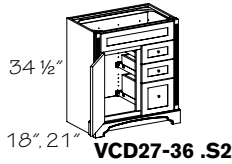
- 15"-12"
- 15"-12"
- 15"-12"



- VCD301834 DL3.S4
- VCD301834 DL3.S5
- VCD331834 DL3.S1
- VCD331834 DL3.S2

- 12"-15" VCD301834 DR3.S4
- 12"-15" VCD301834 DR3.S5
- 12"-18" VCD331834 DR3.S1
- 12"-18" VCD331834 DR3.S2

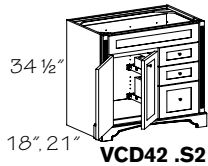
- 15"-12"
- 15"-12"
- 18"-12"
- 18"-12"



- VCD331834 DL3.S3
- VCD331834 DL3.S4
- VCD331834 DL3.S5
- VCD361834 DL3.S1
- VCD361834 DL3.S2

- 12"-18" VCD331834 DR3.S3
- 12"-18" VCD331834 DR3.S4
- 12"-18" VCD331834 DR3.S5
- 12"-21" VCD361834 DR3.S1
- 12"-21" VCD361834 DR3.S2

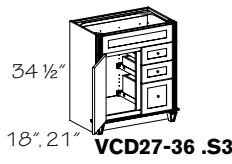
- 18"-12"
- 18"-12"
- 18"-12"
- 21"-12"
- 21"-12"



- VCD361834 DL3.S3
- VCD361834 DL3.S4
- VCD361834 DL3.S5
- ▲ VCD421834 DL3.S1
- ▲ VCD421834 DL3.S2

- 12"-21" VCD361834 DR3.S3
- 12"-21" VCD361834 DR3.S4
- 12"-21" VCD361834 DR3.S5
- 15"-24" ▲ VCD421834 DR3.S1
- 15"-24" ▲ VCD421834 DR3.S2

- 21"-12"
- 21"-12"
- 21"-12"
- 24"-15"
- 24"-15"



Drawers Left
34 1/2" High, 21" Deep

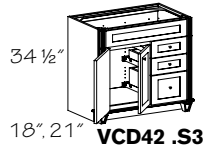
- ▲ VCD272134 DL3.S1
- ▲ VCD272134 DL3.S2
- ▲ VCD272134 DL3.S3
- ▲ VCD272134 DL3.S4
- ▲ VCD272134 DL3.S5

Drawer-Door
34 1/2" High, 21" Deep

- 12"-12" ▲ VCD272134 DR3.S1
- 12"-12" ▲ VCD272134 DR3.S2
- 12"-12" ▲ VCD272134 DR3.S3
- 12"-12" ▲ VCD272134 DR3.S4
- 12"-12" ▲ VCD272134 DR3.S5

Door-Drawer

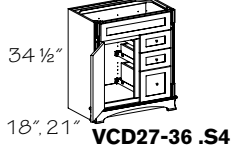
- 12"-12"
- 12"-12"
- 12"-12"
- 12"-12"
- 12"-12"



- VCD302134 DL3.S1
- VCD302134 DL3.S2
- VCD302134 DL3.S3
- VCD302134 DL3.S4
- VCD302134 DL3.S5

- 12"-15" VCD302134 DR3.S1
- 12"-15" VCD302134 DR3.S2
- 12"-15" VCD302134 DR3.S3
- 12"-15" VCD302134 DR3.S4
- 12"-15" VCD302134 DR3.S5

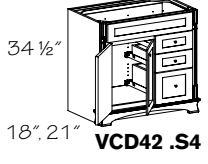
- 15"-12"
- 15"-12"
- 15"-12"
- 15"-12"
- 15"-12"



- VCD332134 DL3.S1
- VCD332134 DL3.S2
- VCD332134 DL3.S3
- VCD332134 DL3.S4
- VCD332134 DL3.S5

- 12"-18" VCD332134 DR3.S1
- 12"-18" VCD332134 DR3.S2
- 12"-18" VCD332134 DR3.S3
- 12"-18" VCD332134 DR3.S4
- 12"-18" VCD332134 DR3.S5

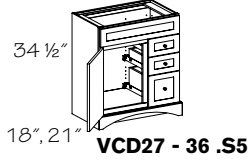
- 18"-12"
- 18"-12"
- 18"-12"
- 18"-12"
- 18"-12"



- VCD362134 DL3.S1
- VCD362134 DL3.S2
- VCD362134 DL3.S3
- VCD362134 DL3.S4
- VCD362134 DL3.S5

- 12"-21" VCD362134 DR3.S1
- 12"-21" VCD362134 DR3.S2
- 12"-21" VCD362134 DR3.S3
- 12"-21" VCD362134 DR3.S4
- 12"-21" VCD362134 DR3.S5

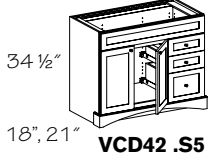
- 21"-12"
- 21"-12"
- 21"-12"
- 21"-12"
- 21"-12"



- ▲ VCD422134 DL3.S1
- ▲ VCD422134 DL3.S2
- ▲ VCD422134 DL3.S3
- ▲ VCD422134 DL3.S4
- ▲ VCD422134 DL3.S5

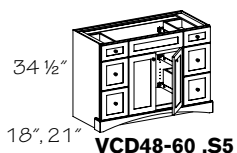
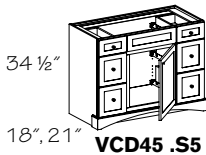
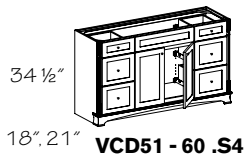
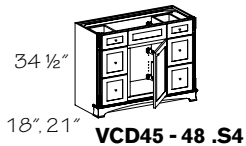
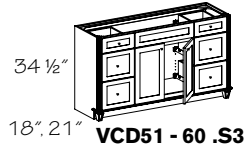
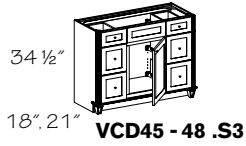
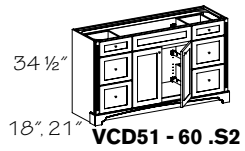
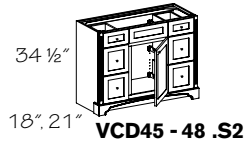
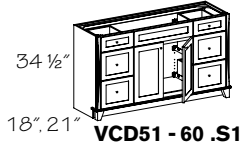
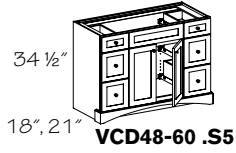
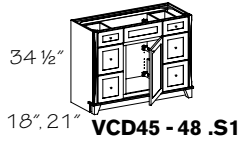
- 15"-24" ▲ VCD422134 DR3.S1
- 15"-24" ▲ VCD422134 DR3.S2
- 15"-24" ▲ VCD422134 DR3.S3
- 15"-24" ▲ VCD422134 DR3.S4
- 15"-24" ▲ VCD422134 DR3.S5

- 24"-15"
- 24"-15"
- 24"-15"
- 24"-15"
- 24"-15"



▲ Sink Base Door Storage Unit (SBDSU) *not* available

Vanity Combination Drawer w/Decorative Accents (6)



34 1/2" High, 18" Deep

- * **VCD451834 R or L.6.S1**
- * **VCD451834 R or L.6.S2**
- * **VCD451834 R or L.6.S3**
- * **VCD451834 R or L.6.S4**
- * **VCD451834 R or L.6.S5**
- * **VCD481834 R or L.6.S1**
- * **VCD481834 R or L.6.S2**
- * **VCD481834 R or L.6.S3**
- * **VCD481834 R or L.6.S4**
- * **VCD481834 R or L.6.S5**
- VCD511834 .6.S1**
- VCD511834 .6.S2**
- VCD511834 .6.S3**
- VCD511834 .6.S4**
- VCD511834 .6.S5**
- VCD541834 .6.S1**
- VCD541834 .6.S2**
- VCD541834 .6.S3**
- VCD541834 .6.S4**
- VCD541834 .6.S5**
- VCD571834 .6.S1**
- VCD571834 .6.S2**
- VCD571834 .6.S3**
- VCD571834 .6.S4**
- VCD571834 .6.S5**
- VCD601834 .6.S1**
- VCD601834 .6.S2**
- VCD601834 .6.S3**
- VCD601834 .6.S4**
- VCD601834 .6.S5**

Drawer-Door-Drawer

- 12"-18"-12"
- 12"-18"-12"
- 12"-18"-12"
- 12"-18"-12"
- 12"-18"-12"
- 12"-21"-12"
- 12"-21"-12"
- 12"-21"-12"
- 12"-21"-12"
- 12"-21"-12"
- 12"-24"-12"
- 12"-24"-12"
- 12"-24"-12"
- 12"-24"-12"
- 12"-24"-12"
- 12"-27"-12"
- 12"-27"-12"
- 12"-27"-12"
- 12"-27"-12"
- 12"-27"-12"
- 15"-24"-15"
- 15"-24"-15"
- 15"-24"-15"
- 15"-24"-15"
- 15"-24"-15"
- 15"-27"-15"
- 15"-27"-15"
- 15"-27"-15"
- 15"-27"-15"
- 15"-27"-15"

- Specify R or L for single door hinging
- Two standard drawers
- Four deep drawers
- Skirt ships separately
- Scoop Top Drawer (STDW) option available
- Sink Base Door Storage Unit (SBDSU) is available on single door cabinets
- Optional Vanity Wood Tiered Drawer Storage (VWTDTS), Vanity Shallow Wood Tiered Drawer Storage (VSWTDS) and Vanity Adjustable Drawer Divider (VADD) are available

●	APFC
❖	FPEB
●	MI
●	DE
●	AD_E
●	RD
●	TWR
●	WR
●	XS
●	GD
●	RTK
●	VTK

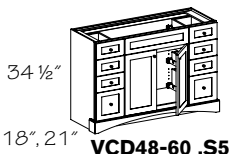
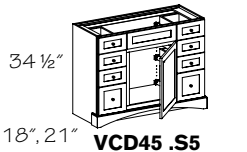
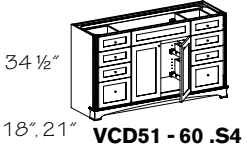
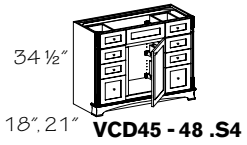
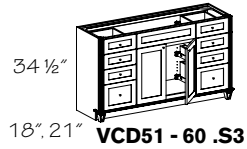
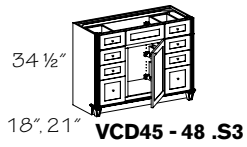
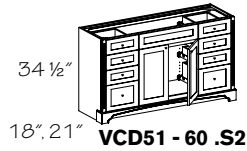
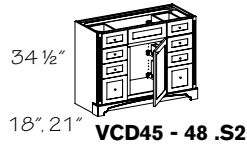
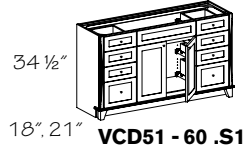
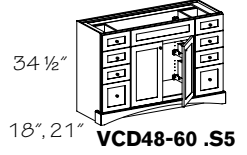
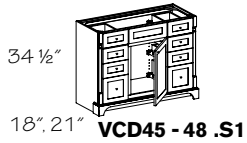
34 1/2" High, 21" Deep

- * **VCD452134 R or L.6.S1**
- * **VCD452134 R or L.6.S2**
- * **VCD452134 R or L.6.S3**
- * **VCD452134 R or L.6.S4**
- * **VCD452134 R or L.6.S5**
- * **VCD482134 R or L.6.S1**
- * **VCD482134 R or L.6.S2**
- * **VCD482134 R or L.6.S3**
- * **VCD482134 R or L.6.S4**
- * **VCD482134 R or L.6.S5**
- VCD512134 .6.S1**
- VCD512134 .6.S2**
- VCD512134 .6.S3**
- VCD512134 .6.S4**
- VCD512134 .6.S5**
- VCD542134 .6.S1**
- VCD542134 .6.S2**
- VCD542134 .6.S3**
- VCD542134 .6.S4**
- VCD542134 .6.S5**
- VCD572134 .6.S1**
- VCD572134 .6.S2**
- VCD572134 .6.S3**
- VCD572134 .6.S4**
- VCD572134 .6.S5**
- VCD602134 .6.S1**
- VCD602134 .6.S2**
- VCD602134 .6.S3**
- VCD602134 .6.S4**
- VCD602134 .6.S5**

- 12"-18"-12"
- 12"-18"-12"
- 12"-18"-12"
- 12"-18"-12"
- 12"-18"-12"
- 12"-21"-12"
- 12"-21"-12"
- 12"-21"-12"
- 12"-21"-12"
- 12"-21"-12"
- 12"-24"-12"
- 12"-24"-12"
- 12"-24"-12"
- 12"-24"-12"
- 12"-24"-12"
- 12"-27"-12"
- 12"-27"-12"
- 12"-27"-12"
- 12"-27"-12"
- 12"-27"-12"
- 15"-24"-15"
- 15"-24"-15"
- 15"-24"-15"
- 15"-24"-15"
- 15"-24"-15"
- 15"-27"-15"
- 15"-27"-15"
- 15"-27"-15"
- 15"-27"-15"
- 15"-27"-15"

* Scoop Top Drawer (STDW) option available

Vanity Combination Drawer w/Decorative Accents (8)



34 1/2" High, 18" Deep

VCD451834 R or L.8.S1	12"-21"-12"
VCD451834 R or L.8.S2	12"-18"-12"
VCD451834 R or L.8.S3	12"-18"-12"
VCD451834 R or L.8.S4	12"-18"-12"
VCD451834 R or L.8.S5	12"-24"-12"
VCD481834 R or L.8.S1	12"-21"-12"
VCD481834 R or L.8.S2	12"-21"-12"
VCD481834 R or L.8.S3	12"-21"-12"
VCD481834 R or L.8.S4	12"-21"-12"
VCD481834 .8.S5	12"-24"-12"
VCD511834 .8.S1	12"-24"-12"
VCD511834 .8.S2	12"-24"-12"
VCD511834 .8.S3	12"-24"-12"
VCD511834 .8.S4	12"-24"-12"
VCD511834 .8.S5	12"-27"-12"
VCD541834 .8.S1	12"-27"-12"
VCD541834 .8.S2	12"-27"-12"
VCD541834 .8.S3	12"-27"-12"
VCD541834 .8.S4	12"-27"-12"
VCD541834 .8.S5	15"-24"-12"
VCD571834 .8.S1	15"-24"-15"
VCD571834 .8.S2	15"-24"-15"
VCD571834 .8.S3	15"-24"-15"
VCD571834 .8.S4	15"-24"-15"
VCD571834 .8.S5	15"-27"-15"
VCD601834 .8.S1	15"-27"-15"
VCD601834 .8.S2	15"-27"-15"
VCD601834 .8.S3	15"-27"-15"
VCD601834 .8.S4	15"-27"-15"
VCD601834 .8.S5	15"-30"-15"

Drawer-Door-Drawer

- Specify R or L for single door hinging
- Six standard drawers
- Two deep drawers
- Skirt ships separately
- Scoop Top Drawer (STDW) option available
- Sink Base Door Storage Unit (SBDSU) is available on single door cabinets
- Optional Vanity Wood Tiered Drawer Storage (VWTDS), Vanity Shallow Wood Tiered Drawer Storage (VSWTDS) and Vanity Adjustable Drawer Divider (VADD) are available

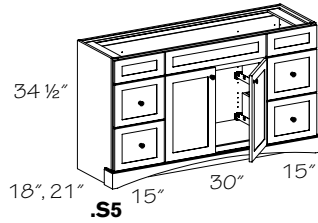
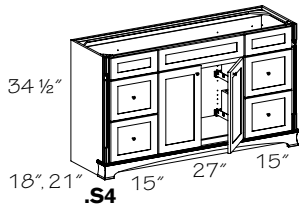
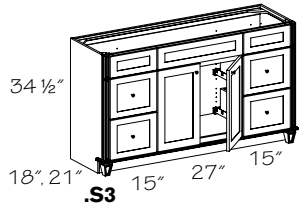
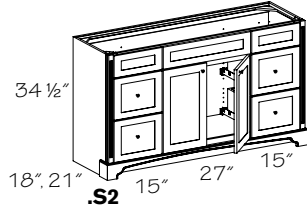
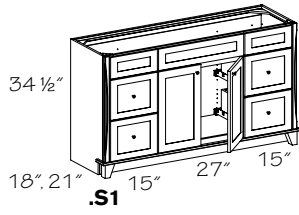
● APFC
❖ FPEB
● MI
● DE
● AD_E
● RD
● TWR
WR
XS
● GD
RTK
VTK

34 1/2" High, 21" Deep

VCD452134 R or L.8.S1	12"-18"-12"
VCD452134 R or L.8.S2	12"-18"-12"
VCD452134 R or L.8.S3	12"-18"-12"
VCD452134 R or L.8.S4	12"-18"-12"
VCD452134 R or L.8.S5	12"-21"-12"
VCD482134 R or L.8.S1	12"-21"-12"
VCD482134 R or L.8.S2	12"-21"-12"
VCD482134 R or L.8.S3	12"-21"-12"
VCD482134 R or L.8.S4	12"-21"-12"
VCD482134 .8.S5	12"-24"-12"
VCD512134 .8.S1	12"-24"-12"
VCD512134 .8.S2	12"-24"-12"
VCD512134 .8.S3	12"-24"-12"
VCD512134 .8.S4	12"-24"-12"
VCD512134 .8.S5	12"-27"-12"
VCD542134 .8.S1	12"-27"-12"
VCD542134 .8.S2	12"-27"-12"
VCD542134 .8.S3	12"-27"-12"
VCD542134 .8.S4	12"-27"-12"
VCD542134 .8.S5	15"-24"-12"
VCD572134 .8.S1	15"-24"-15"
VCD572134 .8.S2	15"-24"-15"
VCD572134 .8.S3	15"-24"-15"
VCD572134 .8.S4	15"-24"-15"
VCD572134 .8.S5	15"-27"-15"
VCD602134 .8.S1	15"-27"-15"
VCD602134 .8.S2	15"-27"-15"
VCD602134 .8.S3	15"-27"-15"
VCD602134 .8.S4	15"-27"-15"
VCD602134 .8.S5	15"-30"-15"

Drawer-Door-Drawer

Vanity Combination Drawer w/Decorative Accents–Full False Front (4)



34 1/2" High, 18" Deep

VCDF601834 .4.S1

VCDF601834 .4.S2

VCDF601834 .4.S3

VCDF601834 .4.S4

VCDF601834 .4.S5

34 1/2" High, 21" Deep

VCDF602134 .4.S1

VCDF602134 .4.S2

VCDF602134 .4.S3

VCDF602134 .4.S4

VCDF602134 .4.S5

- Three drawer fronts
- Four deep drawers
- Skirt ships separately
- Optional Vanity Wood Tiered Drawer Storage (VWTDS), Vanity Shallow Wood Tiered Drawer Storage (VSWTDS) and Vanity Adjustable Drawer Divider (VADD) are available



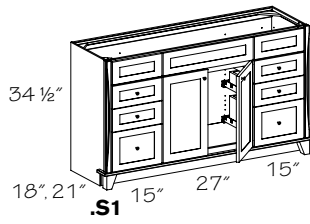
bowls

Tip: False fronts across the entire width of the cabinet allows design flexibility for single or double sink

●	APFC
❖	FPEB
●	MI
●	DE
●	AD_E
●	RD
●	TWR
	WR
	XS
●	GD
	RTK
	VTK

Vanity Combination Drawer w/Decorative Accents–Full False Front (6)

●	APFC
❖	FPEB
●	MI
●	DE
●	AD_E
●	RD
●	TWR
	WR
	XS
●	GD
	RTK
	VTK



34 1/2" High, 18" Deep

VCDF601834 .6.S1

VCDF601834 .6.S2

VCDF601834 .6.S3

VCDF601834 .6.S4

VCDF601834 .6.S5

34 1/2" High, 21" Deep

VCDF602134 .6.S1

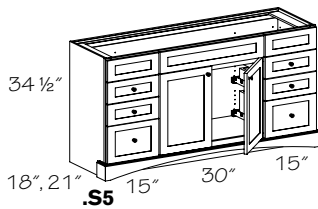
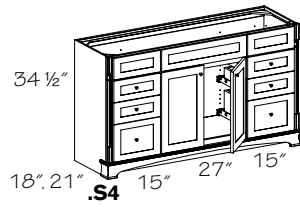
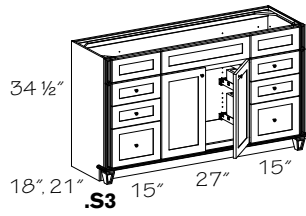
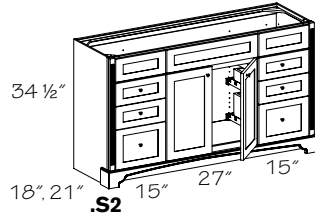
VCDF602134 .6.S2

VCDF602134 .6.S3

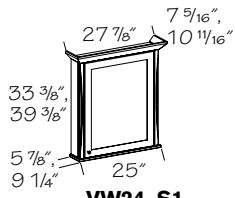
VCDF602134 .6.S4

VCDF602134 .6.S5

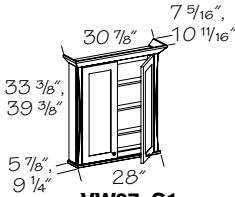
- Three drawer fronts
- Four standard drawers
- Two deep drawers
- Skirt ships separately
- Optional Vanity Wood Tiered Drawer Storage (VWTDS), Vanity Shallow Wood Tiered Drawer Storage (VSWTDS) and Vanity Adjustable Drawer Divider (VADD) are available



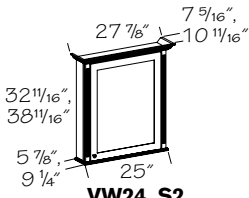
Vanity Wall Cabinet w/Decorative Accents



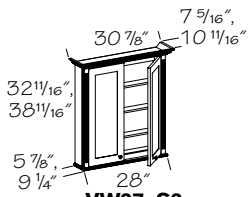
VW24 .S1



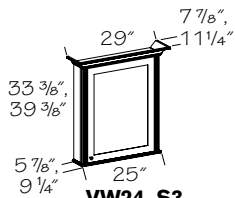
VW27 .S1



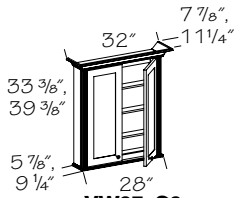
VW24 .S2



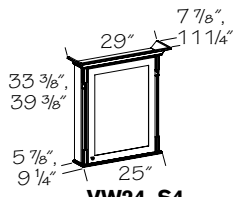
VW27 .S2



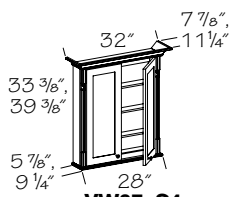
VW24 .S3



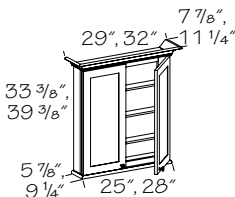
VW27 .S3



VW24 .S4



VW27 .S4



.S5

5 7/8" Deep, 30" High

VW240430 R or L.S1

VW240430 R or L.S2

VW240430 R or L.S3

VW240430 R or L.S4

VW240430 .S5

VW270430 .S1

VW270430 .S2

VW270430 .S3

VW270430 .S4

VW270430 .S5

5 7/8" Deep, 36" High

VW240436 R or L.S1

VW240436 R or L.S2

VW240436 R or L.S3

VW240436 R or L.S4

VW240436 .S5

VW270436 .S1

VW270436 .S2

VW270436 .S3

VW270436 .S4

VW270436 .S5

9 1/4" Deep, 30" High

VW240830 R or L.S1

VW240830 R or L.S2

VW240830 R or L.S3

VW240830 R or L.S4

VW240830 .S5

VW270830 .S1

VW270830 .S2

VW270830 .S3

VW270830 .S4

VW270830 .S5

9 1/4" Deep, 36" High

VW240836 R or L.S1

VW240836 R or L.S2

VW240836 R or L.S3

VW240836 R or L.S4

VW240836 .S5

VW270836 .S1

VW270836 .S2

VW270836 .S3

VW270836 .S4

VW270836 .S5

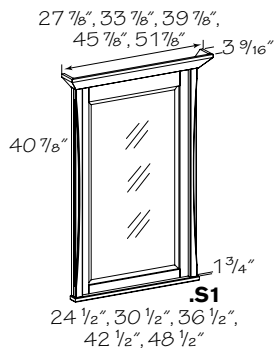
- Specify R or L for single door hinging
- Top and bottom plates ship separately

● APFC
❖ FPFB
● MI
DE
AD_E
RD
TWR
WR
● XS
● GD
RTK
VTK

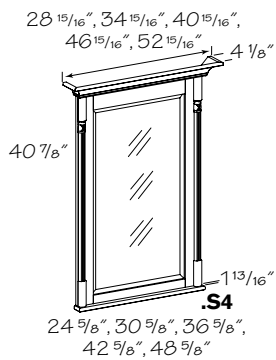
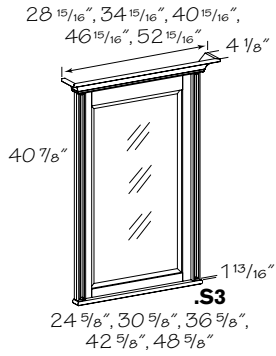
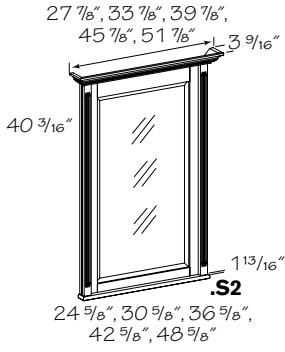
Framed Mirror w/Decorative Accents

APFC
FPEB
MI
DE
AD_E
RD
TWR
WR
XS
GD
RTK
VTK

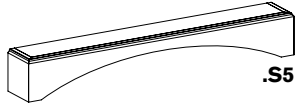
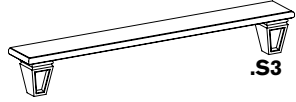
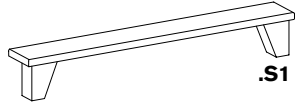
• Beveled mirror



- FM2436 .S1
- FM2436 .S2
- FM2436 .S3
- FM2436 .S4
- FM3036 .S1
- FM3036 .S2
- FM3036 .S3
- FM3036 .S4
- FM3636 .S1
- FM3636 .S2
- FM3636 .S3
- FM3636 .S4
- FM4236 .S1
- FM4236 .S2
- FM4236 .S3
- FM4236 .S4
- FM4836 .S1
- FM4836 .S2
- FM4836 .S3
- FM4836 .S4



Vanity Decorative Skirt w/Decorative Accents



VDS1504 .S1	VDS4204 .S1
VDS1504 .S2	VDS4204 .S2
VDS1504 .S3	VDS4204 .S3
VDS1504 .S4	VDS4204 .S4
VDS1504 .S5	VDS4204 .S5
VDS1804 .S1	VDS4504 .S1
VDS1804 .S2	VDS4504 .S2
VDS1804 .S3	VDS4504 .S3
VDS1804 .S4	VDS4504 .S4
VDS1804 .S5	VDS4504 .S5
VDS2104 .S1	VDS4804 .S1
VDS2104 .S2	VDS4804 .S2
VDS2104 .S3	VDS4804 .S3
VDS2104 .S4	VDS4804 .S4
VDS2104 .S5	VDS4804 .S5
VDS2404 .S1	VDS5104 .S1
VDS2404 .S2	VDS5104 .S2
VDS2404 .S3	VDS5104 .S3
VDS2404 .S4	VDS5104 .S4
VDS2404 .S5	VDS5104 .S5
VDS2704 .S1	VDS5404 .S1
VDS2704 .S2	VDS5404 .S2
VDS2704 .S3	VDS5404 .S3
VDS2704 .S4	VDS5404 .S4
VDS2704 .S5	VDS5404 .S5
VDS3004 .S1	VDS5704 .S1
VDS3004 .S2	VDS5704 .S2
VDS3004 .S3	VDS5704 .S3
VDS3004 .S4	VDS5704 .S4
VDS3004 .S5	VDS5704 .S5
VDS3304 .S1	VDS6004 .S1
VDS3304 .S2	VDS6004 .S2
VDS3304 .S3	VDS6004 .S3
VDS3304 .S4	VDS6004 .S4
VDS3304 .S5	VDS6004 .S5
VDS3604 .S1	VDS6304 .S2
VDS3604 .S2	VDS6304 .S4
VDS3604 .S3	VDS6304 .S5
VDS3604 .S4	VDS6604 .S4
VDS3604 .S5	VDS6604 .S5
VDS3904 .S1	VDS6904 .S4
VDS3904 .S2	VDS6904 .S5
VDS3904 .S3	VDS7204 .S2
VDS3904 .S4	VDS7204 .S4
VDS3904 .S5	VDS7204 .S5

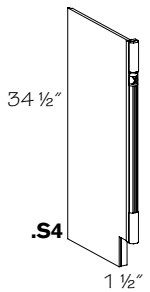
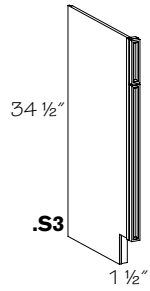
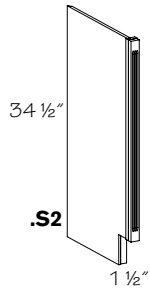
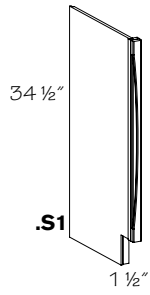
- Solid wood front and sides stained to match or painted White
- Decorative routing at top
- Designed to fit vanity toe kick space
- If desired, matching toe kick **must** be ordered separately and installed before skirt



Consider using a Vanity Decorative Skirt with other cabinets to create a furniture look. Example: below a sink base or utility cabinet

APFC
FPEB
MI
DE
AD_E
RD
TWR
WR
XS
GD
RTK
VTK

Vanity Decorative Accent End Panel

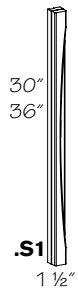


DEP1834 R or L.S1
DEP1834 R or L.S2
DEP1834 R or L.S3
DEP1834 R or L.S4
DEP2134 R or L.S1
DEP2134 R or L.S2
DEP2134 R or L.S3
DEP2134 R or L.S4

- Specify R or L
- Applied decorative accent mounted toward end panel
- End panel is trimmable

●	APFC
❖	FPEB
●	MI
	DE
	AD_E
●	RD
	TWR
	WR
	XS
	GD
	RTK
	VTK

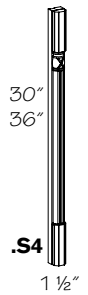
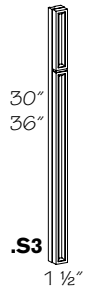
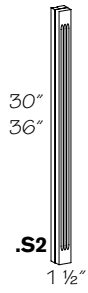
Vanity Decorative Accent Filler



DF130 .S1
DF130 .S2
DF130 .S3
DF130 .S4
DF136 .S1
DF136 .S2
DF136 .S3
DF136 .S4

- 3/4" thick solid wood filler with applied decorative accent centered

APFC
FPEB
MI
DE
AD_E
RD
TWR
WR
XS
GD
RTK
VTK



Vanity Cabinet Accessories

Construction Options and Modifications

PE	Plywood Ends
APC	All Plywood Construction
APFC	All Plywood Furniture Construction
FPEB	Furniture Plywood Ends
MI	Matching Interior
CW	Change Width
RD	Reduced Depth
CH	Change Height
WR	Wide Bottom Rail
VTK	Void Toe Kick

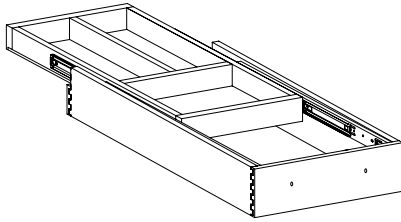
VF3	31
code	height

- ❖ Included as standard
- Available with an upcharge
- ☆ Available with exceptions
- (Blank) **Not** available

Material dimensions listed may vary slightly from actual dimensions of the product.

Specifications subject to change without notice.

Vanity Shallow Wood Tiered Drawer Storage



Factory Installed

- 1VSWTDS**
- 2VSWTDS**
- 4VSWTDS**

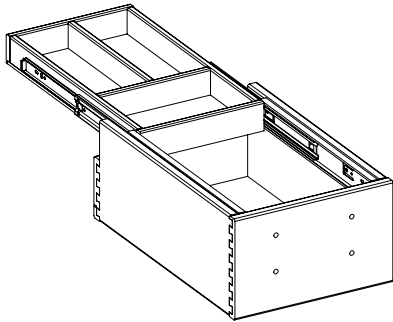
Kit

- VSWTDSK1218**
- VSWTDSK1518**
- VSWTDSK1818**
- VSWTDSK1221**
- VSWTDSK1521**
- VSWTDSK1821**

- Installed in the top drawer of most cabinets. Please refer to Factory Installed Vanity Drawer accessory configuration chart
- Sliding top tray
- Fits 12"-18" wide 4" deep vanity drawers
- Order Example: VCD54-1VWTDS

PE
APC
APFC
FPEB
MI
CW
RD
CH
WR
VTK

Vanity Wood Tiered Drawer Storage



Factory Installed

- 1VWTDS**
- 2VWTDS**
- 4VWTDS**

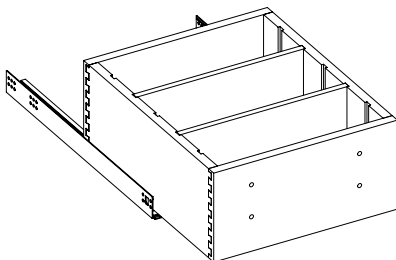
Kit

- VWTDSK1218**
- VWTDSK1518**
- VWTDSK1818**
- VWTDSK1221**
- VWTDSK1521**
- VWTDSK1821**

- Installed in middle drawer of most cabinets with 2 deep drawers. Please refer to Factory Installed Vanity Drawer accessory configuration chart
- Sliding top tray
- Fits 12"- 18" wide 7" deep vanity drawers
- Order Example: VCD36-1VWTDS

PE
APC
APFC
FPEB
MI
CW
RD
CH
WR
VTK

Vanity Adjustable Drawer Dividers



Factory Installed

- 1VADD**
- 2VADD**
- 4VADD**

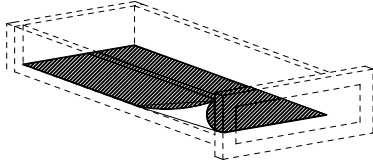
Single Replacement Dividers Only

- VADDIV12 .7** 12" Wide 7" High Drawers
- VADDIV15 .7** 15" Wide 7" High Drawers
- VADDIV18 .7** 18" Wide 7" High Drawers
- VADDIV21 .7** 21" Wide 7" High Drawers
- VADDIV24 .7** 24" Wide 7" High Drawers

- Installed in bottom drawer of most cabinets with 2 deep drawers. Please refer to Factory Installed Vanity Drawer accessory configuration chart
- Two dividers and four available slots standard on 18" deep cabinets
- Two dividers and five available slots standard on 21" deep cabinets
- Dividers are 1/2" thick and can be spaced to preference
- Fits 12"- 24" wide vanity drawers
- Order Example: VCD36-1VADD

PE
APC
APFC
FPEB
MI
CW
RD
CH
WR
VTK

Non-slip drawer liner



21" Deep cabinets
9" Wide

NSDLK921 For Vanity depth 9" drawer

12" Wide

NSDLK1221 For Vanity depth 12" drawer

15" Wide

NSDLK1521 For Vanity depth 15" drawer

18" Wide

NSDLK1821 For Vanity depth 18" drawer

21" Wide

NSDLK2121 For Vanity depth 21" drawer

24" Wide

NSDLK2421 For Vanity depth 24" drawer

27" Wide

NSDLK2721 For Vanity depth 27" drawer

30" Wide

NSDLK3021 For Vanity depth 30" drawer

33" Wide

NSDLK3321 For Vanity depth 33" drawer

36" Wide

NSDLK3621 For Vanity depth 36" drawer

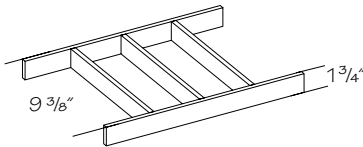
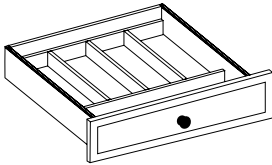
Field Trim

NSDLR Roll-60" wide - Field trim to fit

- Textured translucent lining to help prevent movement of items placed inside drawers
- Liners to not adhere to the drawer floor
- Available cut to size, see available options
- Also available as a roll (60" x 23 5/8")
- Field installation only
- Liners sold individually

PE
APC
APFC
FPEB
MI
CW
RD
CH
WR
VTK

Vanity Drawer Divider



VDDK12 2 Sections

VDDK15 3 Sections

VDDK18 3 Sections

VDDK21 4 Sections

VDDK24 4 Sections

VDDK27 5 Sections

VDDK30 5 Sections

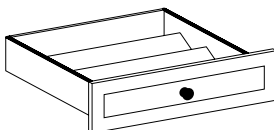
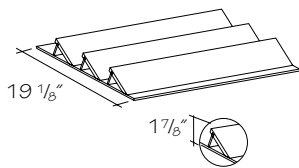
VDDK33 6 Sections

VDDK36 7 Sections

- 1/2" thick solid wood dividers 1 3/4" high

PE
APC
APFC
FPEB
MI
CW
RD
CH
WR
VTK

Vanity Drawer Storage Kit



VDRSK1218

VDRSK1518

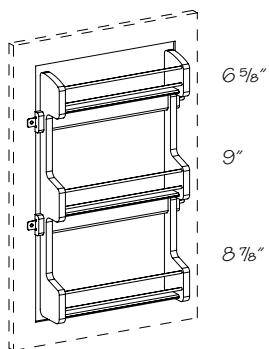
VDRSK1221

VDRSK1521

- 18" deep has two racks

PE
APC
APFC
FPEB
MI
CW
RD
CH
WR
VTK

Vanity Storage Rack Kit

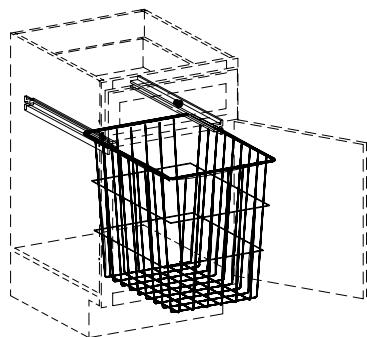


VSRK15
VSRK18
VSRK21

- For use in Vanity Full-Height Cabinets (VC) and Vanity Linen Cabinets (VLC). Requires 21 1/2 minimum height inside frame opening unless trimmed in field

PE
APC
APFC
FPEB
MI
CW
RD
CH
WR
VTK

Hamper Kit

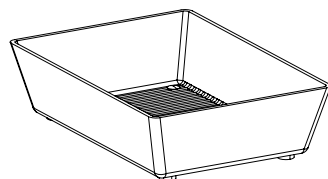


HK15 11" W x 17" H x 19" D
HK18 14" W x 17" H x 19" D

- One hamper, two runners
- Field installation only

PE
APC
APFC
FPEB
MI
CW
RD
CH
WR
VTK

Vanity Filler Pull-out Replacement Trays

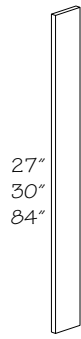


VFPT3
VFPT6

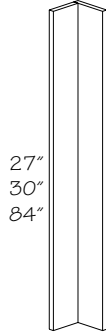
- Includes two clear plastic trays

PE
APC
APFC
FPEB
MI
CW
RD
CH
WR
VTK

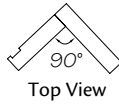
Vanity Filler



VF



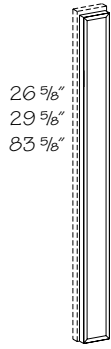
VF3x3



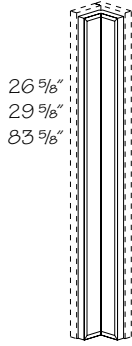
VF3 .31
VF6 .31
VF3 .34
VF6 .34
VF3 .88
VF6 .88
VF3X3 .31
VF3X3 .34

- 3/4" thick solid wood
- Crafted or Quartersawn door styles will be supplied in plain sawn wood
- Finished one side only
- Painted or Stained hardwood supplied for Wood-Grain Foil door styles
- No toe kick

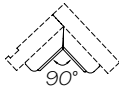
PE
APC
APFC
FPEB
MI
CW
RD
CH
WR
VTK



VFOL



VFOL3x3



Top View

Vanity Filler Overlay

VFOL3 .31

VFOL6 .31

VFOL3 .34

VFOL6 .34

VFOL3 .88

VFOL6 .88

▲ **VFOL3X3 .31**

▲ **VFOL3X3 .34**

※ **VFOL3 .88.FH**

※ **VFOL6 .88.FH**

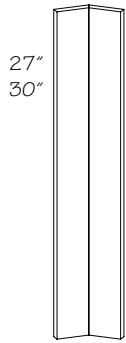
▲ Shipped as two pieces in Thermofoil and Wood-Grain Foil door styles. **Must** be field trimmed and mitered

※ **Not** available in Thermofoil or Wood-Grain Foil door styles; available in High-Gloss Foil door styles

- Available in full overlay door styles only
- Available in High-Gloss Foils finish except in 3X3 models
- Filler overlay has routed door profile and is made from the same material as doors and drawer fronts
- Filler ordered separately

PE
APC
APFC
FPEB
MI
CW
RD
CH
WR
VTK

Vanity Inside Corner Angle Filler

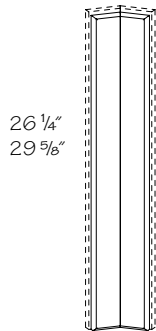


ICAF27
ICAF30

- 3/4" thick solid wood
- Crafted or Quartersawn door styles will be supplied in plain sawn wood
- Painted or Stained hardwood supplied for Wood-Grain Foil door styles
- Finished one side only
- **Not** available in Thermofoil door styles

PE
APC
APFC
FPEB
MI
CW
RD
CH
WR
VTK

Vanity Inside Corner Angle Filler Overlay

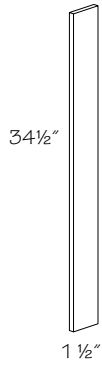


ICAFOL27
ICAFOL30

- 3/4" thick solid wood
- Available in full overlay door styles only
- Filler overlay has routed door profile and is made from the same material as doors and drawer fronts
- Filler ordered separately
- Shipped as two pieces
- **Not** available in Thermofoil door styles

PE
APC
APFC
FPEB
MI
CW
RD
CH
WR
VTK

Vanity Furniture Filler



VF134 .FH

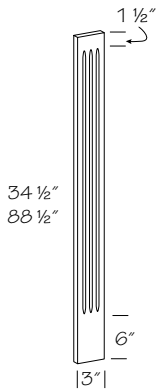
- 3/4" thick solid wood
- Painted or Stained hardwood supplied for Wood-Grain Foil door styles
- Finished on side and edge
- No toe kick
- Intended for Decorative Accent Vanity collections



Remember to use a Vanity Furniture Filler when placing a decorative accent vanity against a wall (3/4") or when placing two decorative accent vanities together (1 1/2"). This will ensure proper placement and avoid any decorative skirt interference during installation.

PE
APC
APFC
FPEB
MI
CW
RD
CH
WR
VTK

Vanity Fluted Filler



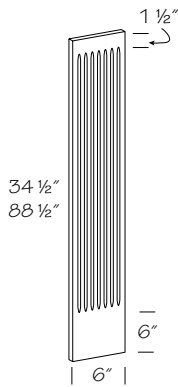
VFF3 .34

VFF6 .34

VFF3 .88

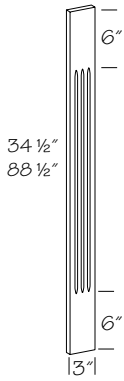
VFF6 .88

- 3/4" thick solid wood
- Painted or Stained hardwood supplied for Wood-Grain Foil door styles



PE
APC
APFC
FPEB
MI
CW
RD
CH
WR
VTK

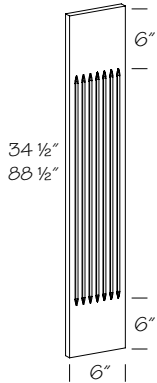
Plain Capital Vanity Fluted Filler



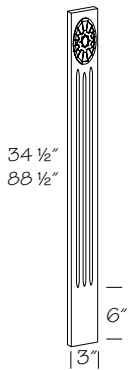
PCVFF3 .34
PCVFF6 .34
PCVFF3 .88
PCVFF6 .88

- 3/4" thick solid wood
- Painted or Stained hardwood supplied for Wood-Grain Foil door styles
- Painted hardwood supplied for EverCore® and Thermofoil
- Quartersawn door styles are supplied plain sawn

PE
APC
APFC
FPEB
MI
CW
RD
CH
WR
VTK



Rosette Vanity Fluted Filler

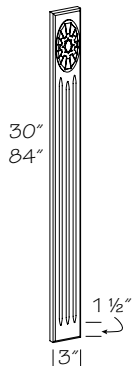


RVFF3 .34
RVFF3 .88

- 3/4" thick solid wood
- Applied decorative rosette
- **Not** available in Rustic Alder, High-Gloss Foil or Wood-Grain Foil door styles

PE
APC
APFC
FPEB
MI
CW
RD
CH
WR
VTK

Rosette Vanity Fluted Filler Overlay

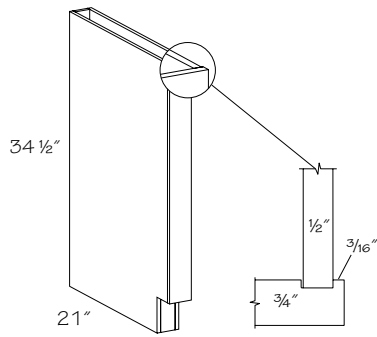


RFVFO3 .34
RFVFO3 .88

- 3/4" thick solid wood
- Applied decorative rosette
- **Not** available in Rustic Alder, High-Gloss Foil or Wood-Grain Foil door styles

PE
APC
APFC
FPEB
MI
CW
RD
CH
WR
VTK

Vanity Box

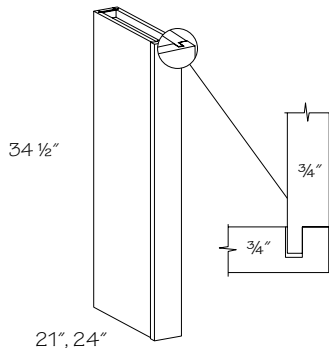


VB32134

- Finished front and both sides
- Reversible, may be used on either right or left end
- Painted hardwood supplied for EverCore®
- Painted or Stained hardwood supplied for Wood-Grain Foil door styles

●	PE
●	APC
●	APFC
●	FPEB
	MI
	CW
●	RD
●	CH
●	WR
●	VTK

Vanity Column



21" Deep

○ **VC32134**

VC62134

24" Deep

○ **VC32434**

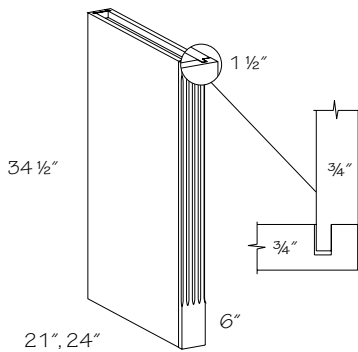
VC62434

○ Change Width (CW) option **not** available

- Quartersawn Oak door styles have 3/4" solid quartersawn wood front and quartersawn wood veneer end panels
- Painted hardwood supplied for EverCore®
- Front is 3/4" solid wood
- Foil-wrapped MDF supplied for Wood-Grain Foil door styles on face frame only
- Finished front and both sides
- Reversible, may be used on either right or left end
- ☆ APFC standard when APC option is selected

	PE
●	APC
☆	APFC
❖	FPEB
	MI
☆	CW
●	RD
●	CH
❖	WR
	VTK

Vanity Fluted Column



21" Deep

VFC32134

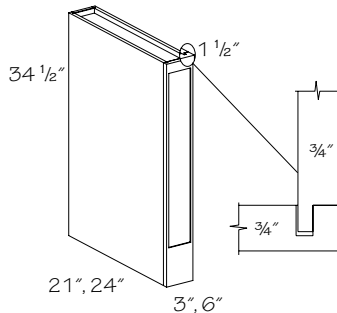
24" Deep

VFC32434

- Quartersawn Oak door styles have quartersawn wood veneer end panels
- Finished front and both sides
- Reversible, may be used on either right or left end
- Fluted front is 3/4" solid wood; plain sawn wood supplied for quartersawn door styles
- Painted hardwood supplied for EverCore®
- Painted or Stained hardwood supplied for Wood-Grain Foil door styles
- **Not** available in Rustic Alder door styles
- ☆ APFC standard when APC option is selected

	PE
●	APC
☆	APFC
❖	FPEB
	MI
	CW
●	RD
●	CH
❖	WR
	VTK

Sterling Vanity Column



STVC321

STVC621

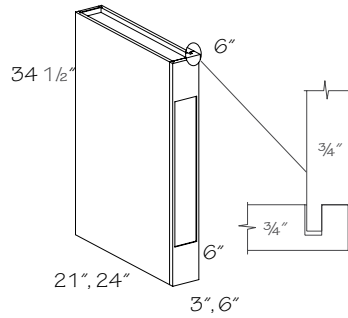
STVC324

STVC624

- Front is 3/4" solid wood
- Available in Rustic Alder, Cherry, EverCore®, Maple and White Wood-Grain Foil door styles only
- Painted hardwood supplied for EverCore® and Thermofoil
- Finished front and both sides
- Reversible, may be used on either right or left end
- ☆ APFC standard when APC option is selected

	PE
●	APC
☆	APFC
❖	FPEB
	MI
	CW
●	RD
	CH
❖	WR
	VTK

Plain Capital Sterling Vanity Column

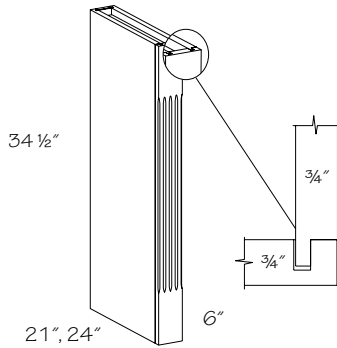


PCSTVC321
PCSTVC621
PCSTVC324
PCSTVC624

- Front is 3/4" solid wood
- Available in Rustic Alder, Cherry, EverCore®, Maple and White Wood-Grain Foil door styles only
- Painted hardwood supplied for EverCore®
- Finished front and both sides
- Reversible, may be used on either right or left end
- ☆ APFC standard when APC option is selected

PE
● APC
☆ APFC
❖ FPEB
MI
CW
● RD
● CH
❖ WR
VTK

Plain Capital Vanity Fluted Column

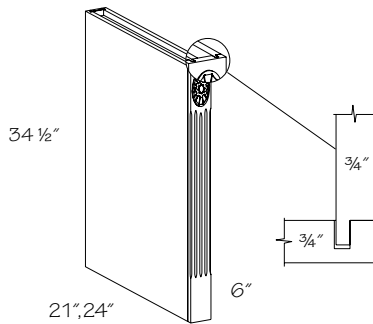


21" Deep
PCVFC32134
 24" Deep
PCVFC32434

- Fluted front is 3/4" solid wood; plain sawn wood supplied for quartersawn door styles
- Quartersawn Oak door styles have quartersawn wood veneer end panels
- Painted hardwood supplied for EverCore®
- Painted or Stained hardwood supplied for Wood-Grain Foil door styles
- Plain sawn material supplied for Briston Crafted door styles
- Finished front and both sides
- Reversible, may be used on either right or left end
- ☆ APFC standard when APC option is selected

PE
● APC
☆ APFC
❖ FPEB
MI
CW
● RD
● CH
❖ WR
VTK

Rosette Vanity Fluted Column

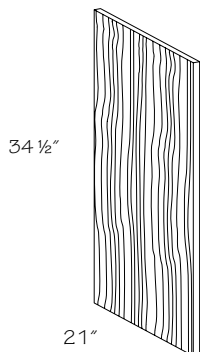


21" Deep
RVFC32134
 24" Deep
RVFC32434

- Fluted front is 3/4" solid wood; plain sawn wood supplied for quartersawn door styles
- Quartersawn Oak door styles have quartersawn wood veneer end panels
- Painted hardwood supplied for EverCore®
- Plain sawn material supplied for Briston Crafted door styles
- Finished front and both sides
- Reversible, may be used on either right or left end
- Applied decorative rosette
- **Not** available in Rustic Alder, High-Gloss Foil or Wood-Grain Foil door styles
- ☆ APFC standard when APC option is selected

PE
● APC
☆ APFC
❖ FPEB
MI
CW
● RD
● CH
❖ WR
VTK

Vanity End Panel

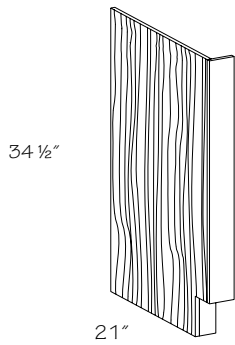


Printed Woodgrain Laminate
 Width x Height x Thickness
WVEP2134 21" x 34 1/2" x 3/4"
 Wood Veneer
WVEP2134 21" x 34 1/2" x 13/16"

- Edgebanded one long edge
- Finished to match exterior both sides
- ☆ APC panel only available in wood veneer
- ☆ APC panel is 11/16" thick

PE
☆ APC
APFC
FPEB
MI
CW
RD
● CH
WR
VTK

Vanity End Panel w/Stile

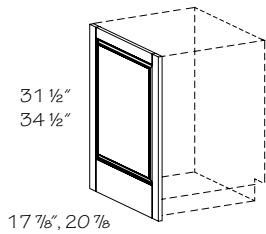


VEP1 1/2 R or L.34
VEP3 R or L.34

- Specify R or L
- Exterior finished to match, interior is Natural Birch printed wood grain laminate and machined to match a cabinet end panel
- Left shown
- Crafted or Quartersawn door styles will be supplied in plain sawn wood
- Painted or Stained hardwood supplied for Wood-Grain Foil door styles

●	PE
●	APC
●	APFC
●	FPEB
●	MI
●	CW
●	RD
●	CH
●	WR
●	VTK

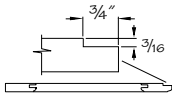
Matching Vanity End Panel



MVEP1831 R or L
MVEP2131 R or L
MVEP1834 R or L
MVEP2134 R or L

- Specify R or L
- 3/4" thick panel with matching door edge profile on front edge only
- Matching panel may **not** align with the cabinet doors
- Left shown
- Foil and slab door styles do **not** have grooves and will **not** fit flush against 1/2" end panel. A 3/16" shim is recommended
- **Not** available in High-Gloss Foil door styles
- **Not** available in mitered door styles; use End Panel-Mitered
- Epic and Foil door styles do **not** have grooves and will **not** fit flush against 1/2" end panel. A 3/16" shim is recommended
- ☆ Wide Bottom Rail—field notch for toe kick

●	PE
●	APC
●	APFC
●	FPEB
●	MI
●	CW
●	RD
●	CH
☆	WR
●	VTK

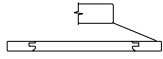
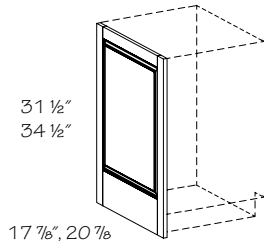


Standard edge detail — fits flush against 1/2" end panel and behind face frame



When designing with Matching End Panels the reveal will differ from the cabinet door height reveal. Matching End Panels cover the entire side of the cabinet. See drawing for exact measurements

Matching Vanity End Panel—Square Edges



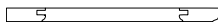
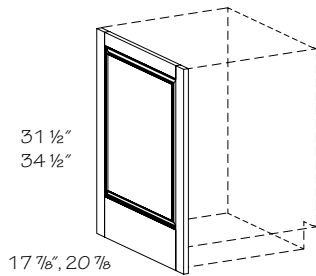
Will not fit flush
against 1/2" end panel,
a 3/16" shim is recommended

MVEP1831 .S
MVEP2131 .S
MVEP1834 .S
MVEP2134 .S

- 3/4" thick panel with square edge front and back
- Inside of matching panel bottom rail will line up with inside bottom rail of door
- Reversible, may be used on either right or left end
- No frame recess dado
- Field installation only
- **Not** available in High-Gloss Foil, Thermofoil or Wood-Grain Foil door styles
- **Not** available in mitered door styles; use End Panel—Mitered
- ☆ Wide Bottom Rail—field notch for toe kick

PE
APC
APFC
FPEB
MI
● CW
RD
● CH
☆ WR
VTK

Furniture Matching Vanity End Panel

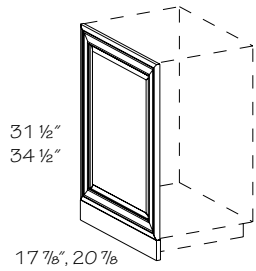


FMVEP1831 R or L
FMVEP2131 R or L
FMVEP1834 R or L
FMVEP2134 R or L

- Specify R or L
- 3/4" thick panel with matching door edge profile on front edge only
- Inside of matching panel bottom rail will line up with inside bottom rail of door
- For use with Furniture Plywood Ends (FPEB)—flush ends
- Left shown
- Field installation only
- **Not** available in mitered door styles; use End Panel—Mitered
- **Not** available in High-Gloss Foil or Wood-Grain Foil door styles
- ☆ Wide Bottom Rail—field notch for toe kick

PE
APC
APFC
FPEB
MI
● CW
RD
● CH
☆ WR
VTK

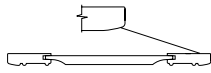
Matching Vanity End Panel—Mitered



M.MVEP1831
M.MVEP2131
M.MVEP1834
M.MVEP2134

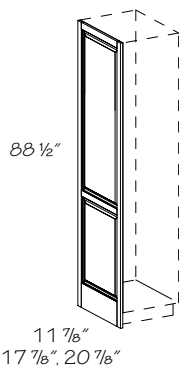
- 3/4" thick panel with matching door edge profile on front edge only
- Inside of matching panel bottom rail will line up with inside bottom rail of door
- Reversible, may be used on either right or left end
- Available in mitered door styles only
- Field installation only
- Toe kick shipped unattached
- ☆ Wide Bottom Rail—field notch for toe kick

PE
APC
APFC
FPEB
MI
● CW
RD
● CH
☆ WR
VTK



Will not fit flush against 1/2" end panel, a 3/16" shim is recommended

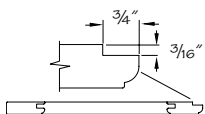
Matching Tall Vanity End Panel



- **MTEP1288 R or L**
- **MTEP1888 R or L**
- **MTEP2188 R or L**
- Change Width (CW) option **not** available

- Specify R or L
- 3/4" thick panel with matching door edge profile on front edge only
- Matching panel may **not** align with the cabinet doors
- Left shown
- Field installation only
- **Not** available in High-Gloss Foil, Thermofoil or Wood-Grain Foil door styles
- **Not** available in mitered door styles; use End Panel—Mitered
- **Not** available in slab door styles
- ☆ Wide Bottom Rail—field notch for toe kick

PE
APC
APFC
FPEB
MI
☆ CW
RD
● CH
☆ WR
VTK

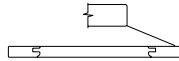
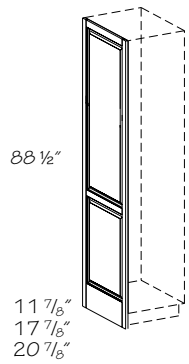


Standard edge detail—fits flush against 1/2" end panel and behind face frame



When designing with Matching End Panels the reveal will differ from the cabinet door height reveal. Matching End Panels cover the entire side of the cabinet. See drawing for exact measurements

Matching Tall Vanity End Panel—Square Edges



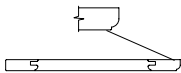
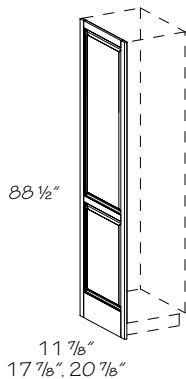
Will not fit flush against 1/2" end panel, a 3/16" shim is recommended

- **MTEP1288 .S**
MTEP1888 .S
MTEP2188 .S
- Change Width (CW) option **not** available

- 3/4" thick panel with square edge front and back
- Reversible, may be used on either right or left end
- No frame recess dado
- Matching panel may **not** align with the cabinet doors
- Field installation only
- **Not** available in High-Gloss Foil, Thermofoil or Wood-Grain Foil door styles
- **Not** available in mitered door styles; use End Panel—Mitered
- **Not** available in slab door styles
- ☆ Wide Bottom Rail—field notch for toe kick

PE
APC
APFC
FPEB
MI
☆ CW
RD
● CH
☆ WR
VTK

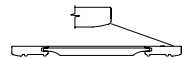
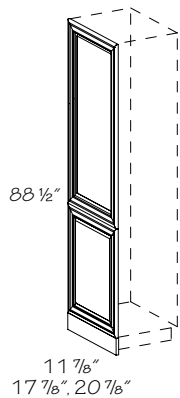
Furniture Matching Tall Vanity End Panel



- **FMTEP1288 R or L**
FMTEP1888 R or L
FMTEP2188 R or L
- Change Width (CW) option **not** available

- Specify R or L
- 3/4" thick panel with matching door edge profile on front edge only
- Matching panel may **not** align with the cabinet doors
- Left shown
- Field installation only
- For use with Furniture Plywood Ends (FPEB)—flush ends
- **Not** available in High-Gloss Foil, Thermofoil or Wood-Grain Foil door styles
- **Not** available in mitered door styles; use End Panel—Mitered
- **Not** available in slab door styles
- ☆ Wide Bottom Rail—field notch for toe kick

PE
APC
APFC
FPEB
MI
☆ CW
RD
● CH
☆ WR
VTK



Will not fit flush against 1/2" end panel, a 3/16" shim is recommended

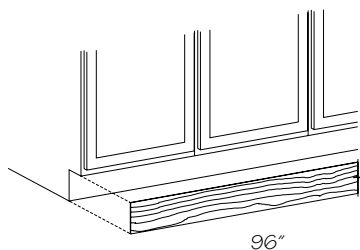
Matching Tall Vanity End Panel—Mitered

- **M.MTEP1288**
M.MTEP1888
M.MTEP2188
- Change Width (CW) option *not* available

- 3/4" thick panel with matching door edge profile on four sides
- Matching panel may *not* align with the cabinet doors
- Reversible, may be used on either right or left end
- Available in mitered door styles only
- Field installation only
- Top, bottom and toe kick shipped separately
- *Not* available in High-Gloss Foil, Thermofoil or Wood-Grain Foil door styles

PE
APC
APFC
FPEB
MI
☆ CW
RD
● CH
WR
VTK

Toe Kick



Black

BLTK8

1/8" thick hardboard, 4 1/2" high

Wood grain Laminate

MTK8

1/8" thick hardboard, 4 1/2" high, laminated with matching printed wood grain laminate

Laminate

MTK8

1/8" thick hardboard, 4 1/2" high, laminated with matching printed wood grain laminate

Aluminum finish

MTK8 .A

1/16" thick flexible laminate, 4 1/2" high

Stainless finish

MTK8 .S

1/16" thick flexible laminate, 4 1/2" high

Wood Veneer

◆ **WMTK8**

3/16" thick wood veneer, 4 1/2" high, to match

◆ Quartersawn Oak door styles are quartersawn wood veneer

▲ Painted or Stained hardwood supplied for Wood-Grain Foil door styles

- Edges are unfinished
- Field installation only
- **Note:** Matching toe kick is *not* automatically supplied with cabinets. It *must* be ordered as a separate item



Apply Shoe Molding (SHO8) at the base of Matching Toe Kicks or Wood Matching Toe Kicks (MTK8 or WMTK8) for a nice, finished look.

PE
APC
APFC
FPEB
MI
CW
RD
CH
WR
VTK

Factory Installed Vanity Drawer Accessory Configuration Chart

Vanity Shallow Wood Tiered Drawer Storage (VSWTDS)

Cabinets		1VSWTDS	2VSWTDS	4VSWTDS
Vanity Base (12"-18")	VB_31	top	N/A	N/A
Vanity Sink Base (42"-60")	VSB_31	left top	left top right top	N/A
Vanity Sink Base (60")	VSB_31.3	top	N/A	N/A
Vanity Base Drawer (12"-18")	VBD_31	top	N/A	N/A
Vanity Sink Base Three Drawer*	VSB60_34.3	top	N/A	N/A
Vanity Sink Base Four Drawer*	VSB60_34.4	top	top + second	N/A
Vanity Combination (42"-60")	VCD_31.6	left top	left top right top	N/A
Vanity Combination Drawer (2)*	VCD_34. DL2 or DR2	N/A	N/A	N/A
Vanity Combination Drawer (3)*	VCD_34. DL3 or DR3	top	top + second	N/A
Vanity Combination Drawer (6)*	VCD_34.6	left top	left top + right top	N/A
Vanity Combination Drawer (8)*	VCD_34.8	left top	left top + right top	left top + second & right top + second
Vanity Combination Drawer- Full False Front (4)*	VCDF60_34.4	N/A	N/A	N/A
Vanity Combination Drawer- Full False Front (6)*	VCDF60_34.6	left top	left top + right top	left top + second & right top + second
Vanity Base Drawer	VBD_34.3	top	N/A	N/A
Vanity Base Four Drawer	VBD_34.4	top	top + second	N/A
Vanity Linen Cabinet Three Drawer	VLC_88.3	top	N/A	N/A
Vanity Linen Cabinet Four Drawer	VLC_88.4	top	top + second	N/A

* includes Decorative Accent Vanity collection models

Factory Installed Vanity Drawer Accessory Configuration Chart

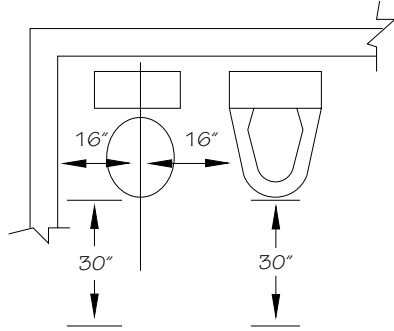
Vanity Wood Tiered Drawer Storage (VWTDS) Vanity Adjustable Drawer Dividers (VADD)

Cabinets		1VWTDS		1VADD		2VWTDS		2VADD		4VWTDS		4VADD		1VWTDS 1VADD		2VWTDS 2VADD		
Wall Hung Vanity Combination Drawer (42"-48")	WHVCD	top	bottom	1 top 1 bottom	1 top 1 bottom	N/A	N/A	N/A	N/A	N/A	N/A	N/A	N/A	VWTDS top VADD bottom	N/A	N/A	N/A	
Vanity Sink Base (60")	VS8_31.3	middle	bottom	1 middle 1 bottom	1 middle 1 bottom	N/A	N/A	N/A	N/A	N/A	N/A	N/A	N/A	VWTDS middle VADD bottom	N/A	N/A	N/A	
Vanity Base Drawer (12"-18")	VBD_31	middle	bottom	1 middle 1 bottom	1 middle 1 bottom	N/A	N/A	N/A	N/A	N/A	N/A	N/A	N/A	VWTDS middle VADD bottom	N/A	N/A	N/A	
Vanity Sink Base Three Drawer*	VS860_34.3	middle	bottom	1 middle 1 bottom	1 middle 1 bottom	N/A	N/A	N/A	N/A	N/A	N/A	N/A	N/A	VWTDS middle VADD bottom	N/A	N/A	N/A	
Vanity Sink Base Four Drawer*	VS860_34.4	bottom	bottom	N/A	N/A	N/A	N/A	N/A	N/A	N/A	N/A	N/A	N/A	N/A	N/A	N/A	N/A	
Vanity Combination Drawer (24"-36")	VCD_31	middle	bottom	1 middle 1 bottom	1 middle 1 bottom	N/A	N/A	N/A	N/A	N/A	N/A	N/A	N/A	VWTDS middle VADD bottom	N/A	N/A	N/A	
Vanity Combination Drawer (42"-60")	VCD_31.6	left middle	left bottom	1 left middle 1 right middle	1 left bottom 1 right bottom	1 left middle 1 right middle 1 left bottom 1 right bottom	1 left middle 1 right middle 1 left bottom 1 right bottom	VWTDS right bottom VADD left bottom	VWTDS left middle VWTDS right middle VADD left bottom VADD right bottom	N/A	N/A	N/A	N/A	N/A	N/A	N/A	N/A	N/A
Vanity Combination Drawer (2)*	VCD_34. DL2 or DR2	middle	bottom	1 middle 1 bottom	1 middle 1 bottom	N/A	N/A	N/A	N/A	N/A	N/A	N/A	N/A	VWTDS middle VADD bottom	N/A	N/A	N/A	
Vanity Combination Drawer (3)*	VCD_34. DL3 or DR3	bottom	bottom	N/A	N/A	N/A	N/A	N/A	N/A	N/A	N/A	N/A	N/A	N/A	N/A	N/A	N/A	
Vanity Combination Drawer (6)*	VCD_34.6	left middle	left bottom	1 left middle 1 right middle	1 left bottom 1 right bottom	1 left middle 1 right middle 1 left bottom 1 right bottom	1 left middle 1 right middle 1 left bottom 1 right bottom	VWTDS left middle VADD left bottom	VWTDS left middle VWTDS right middle VADD left bottom VADD right bottom	N/A	N/A	N/A	N/A	N/A	N/A	N/A	N/A	N/A
Vanity Combination Drawer (8)*	VCD_34.8	left bottom	left bottom	1 left bottom 1 right bottom	1 left bottom 1 right bottom	N/A	N/A	VWTDS right bottom VADD left bottom	N/A	N/A	N/A	N/A	N/A	N/A	N/A	N/A	N/A	
Vanity Combination Drawer- Full False Front (4)*	VCDF60_34.4	left middle	left bottom	1 left middle 1 right middle	1 left bottom 1 right bottom	1 left middle 1 right middle 1 left bottom 1 right bottom	1 left middle 1 right middle 1 left bottom 1 right bottom	VWTDS left middle VADD left bottom	VWTDS left middle VWTDS right middle VADD left bottom VADD right bottom	N/A	N/A	N/A	N/A	N/A	N/A	N/A	N/A	N/A
Vanity Combination Drawer- Full False Front (6)*	VCDF60_34.6	left bottom	left bottom	1 left bottom 1 right bottom	1 left bottom 1 right bottom	N/A	N/A	VWTDS right bottom VADD left bottom	N/A	N/A	N/A	N/A	N/A	N/A	N/A	N/A	N/A	
Vanity Base Drawer	VBD_34.3	middle	bottom	1 middle 1 bottom	1 middle 1 bottom	N/A	N/A	N/A	N/A	N/A	N/A	N/A	N/A	VWTDS middle VADD bottom	N/A	N/A	N/A	
Vanity Base Four Drawer	VBD_34.4	bottom	bottom	N/A	N/A	N/A	N/A	N/A	N/A	N/A	N/A	N/A	N/A	N/A	N/A	N/A	N/A	
Vanity Linen Cabinet Three Drawer	VLC_88.3	middle	bottom	1 middle 1 bottom	1 middle 1 bottom	N/A	N/A	N/A	N/A	N/A	N/A	N/A	N/A	VWTDS middle VADD bottom	N/A	N/A	N/A	
Vanity Linen Cabinet Four Drawer	VLC_88.4	bottom	bottom	N/A	N/A	N/A	N/A	N/A	N/A	N/A	N/A	N/A	N/A	N/A	N/A	N/A	N/A	

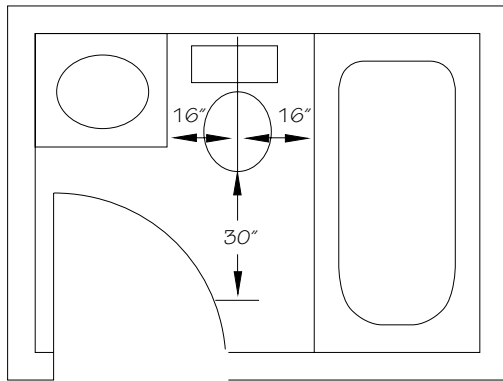
* includes Decorative Accent Vanity collection models

Vanity Bath Clearances

Minimum Clearances

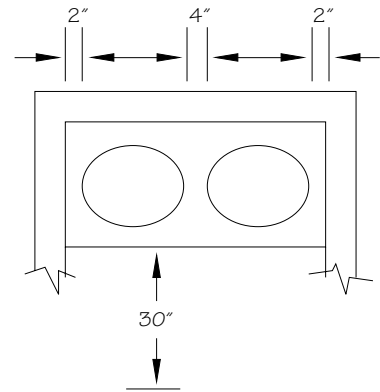


Minimum 30" of clearance space in front of the fixture



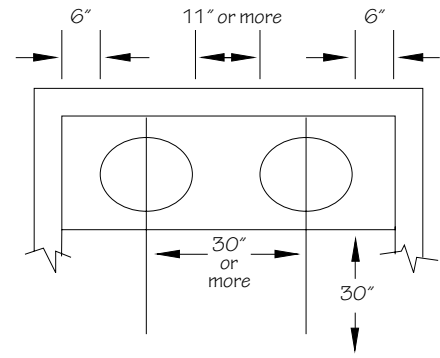
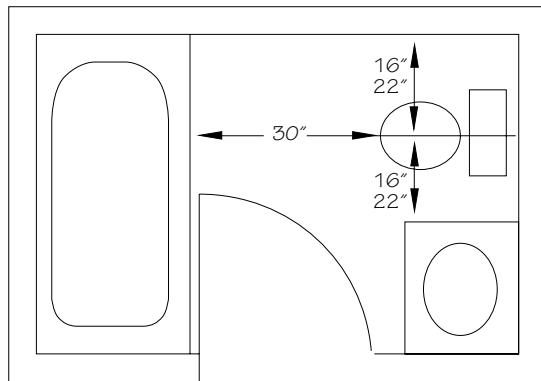
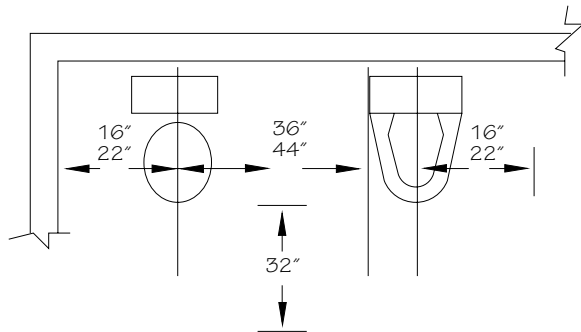
16" of clearance on each side of center

A minimum of 2" from the edge of the bowl to a wall or similar obstruction



Minimum 30" of clearance space in front of the fixture. When using double bowls, allow 4" of space between the edge of each bowl.

Desirable Clearances



Notes

Office Cabinets

Construction Options and Modifications

OW	33	36
code	width	height

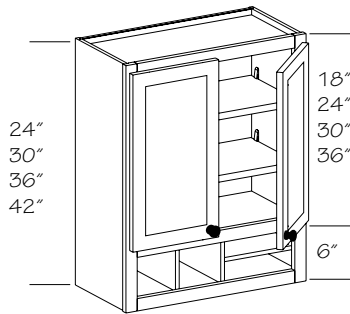
- ❖ Included as standard
- Available with an upcharge
- ☆ Available with exceptions
- (Blank) **Not** available

- PE Plywood Ends
- APC All Plywood Construction
- APFC All Plywood Furniture Construction
- FPEB Furniture Plywood Ends
- MI Matching Interior
- OE Operational End
- CW Change Width
- RD Reduced Depth
- CH Change Height
- IF Inverted Frame
- TWR Top Wide Rail
- WR Wide Bottom Rail
- XS Extended Stile
- GD Glass Doors
- RTK Recessed Toe Kick
- RTKP Recessed Toe Kick Peninsula
- VTK Void Toe Kick
- TKD Toe Kick Drawer

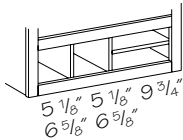
Note: Standard office cabinet box depth is 18", 21" or 24" unless stated otherwise. Add door thickness with bumpers for total depth. Standard base desk cabinet height is 29" unless stated otherwise.

Material dimensions listed may vary slightly from actual dimensions of the product.

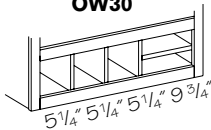
Specifications subject to change without notice.



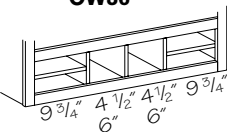
OW24
OW27



OW30



OW33
OW36



Organizer Wall Cabinet

No shelf
24" High

- ❖ **OW2424 BUTT**
- ❖ **OW2724 (Butt)**

- ❖ **OW3024**
- ❖ **OW3324**
- ❖ **OW3624**

One shelf
30" High

- ❖ **OW2430 R or L**
- ❖ **OW2430 BUTT**
- ❖ **OW2730 (Butt)**

- ❖ **OW3030**
- ❖ **OW3330**
- ❖ **OW3630**

Two shelves
36" High

- ❖ **OW2436 R or L**
- ❖ **OW2436 BUTT**
- ❖ **OW2736 (Butt)**

- ❖ **OW3036**
- ❖ **OW3036 BUTT**
- ❖ **OW3336**
- ❖ **OW3636**
- ❖ **OW3636 BUTT**

Three shelves
42" High

- ❖ **OW2442 R or L**
- ❖ **OW2442 BUTT**
- ❖ **OW2742 (Butt)**

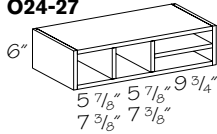
- ❖ **OW3042**
- ❖ **OW3342**
- ❖ **OW3642**

- ❖ 3" center stile
- ❖ Single door—specify R or L

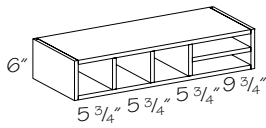
- Specify R or L for single door hinging
- Adjustable shelves
- Back Options (BEB and VGRB) **not** available
- Contrasting Back Options (CBEB, CPLB, CVGR) **not** available
- ☆ Organizer section only is matching interior standard

- PE
- APC
- APFC
- FPEB
- ☆ MI
- OE
- CW
- RD
- CH
- IF
- TWR
- WR
- XS
- GD
- RTK
- RTKP
- VTK
- TKD

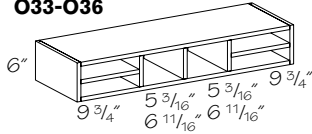
O24-27



O30



O33-O36



Organizers

- O24**
- O27**
- O30**
- O33**
- O36**

- 5/8" wood veneer construction; **not** available in plywood
- Vinyl edge banding applied to edges of cabinet
- Crafted or Quartersawn door styles will be supplied in plain sawn wood
- Contrasting Back Options (CBEB, CPLB, CVGR) **not** available
- The staple/nail holes are visible on the ends of the organizer cabinets with fixed shelves; shelves are pin nailed from the outside of the cabinet
- **Note:** This cabinet features "frameless" type construction

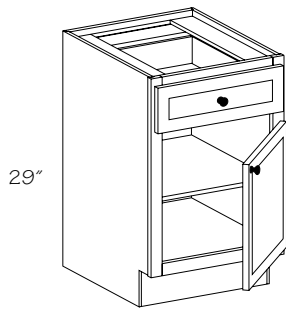


When using an Organizer (O—) Cabinet or Spice Drawer Cabinet (SDC), which have flush ends

standard, under a wall cabinet at the end of a run, either attach Furniture Ends (FE) or order a 3/16" Wood Skin (WSK) for the wall cabinet to flush the ends. (There will be a seam.) Also, consider ordering a furniture matching wall end panel if the height of the finished product allows it. For an alternative, see our Organizer Wall Cabinet in the Office Cabinet section.

PE
APC
APFC
FPEB
MI
OE
CW
RD
CH
IF
TWR
WR
XS
GD
RTK
RTKP
VTK
TKD

Desk Door Cabinet—Single Door



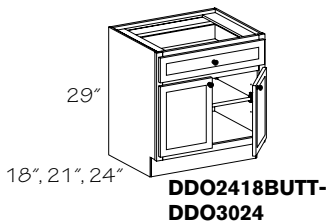
- 18" Deep
 - **DDO1218 R or L**
 - **DDO1518 R or L**
 - **DDO1818 R or L**
 - **DDO2118 R or L**
 - **DDO2418 R or L**
- 21" Deep
 - **DDO12 R or L**
 - **DDO15 R or L**
 - **DDO18 R or L**
 - **DDO21 R or L**
 - **DDO24 R or L**
- 24" Deep
 - **DDO1224 R or L**
 - **DDO1524 R or L**
 - **DDO1824 R or L**
 - **DDO2124 R or L**
 - **DDO2424 R or L**

- Specify R or L for single door hinging
- Comfortable height for dressing table or writing surface
- One adjustable shelf
- DDO12, 15, and 18 available with Full-Height Door (FHK) option
- ☆ Operational End (OE) is **not** available with Reduced Depth (RD) option

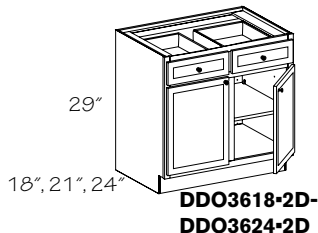
○ Change Width (CW) option **not** available

PE
APC
APFC
FPEB
MI
☆ OE
☆ CW
RD
CH
IF
TWR
WR
XS
GD
RTK
RTKP
VTK
TKD

Desk Door Cabinet—Double Door



DDO2418BUTT-DDO3024



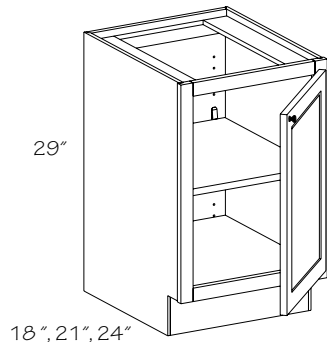
DDO3618-2D-DDO3624-2D

- 18" Deep
 - **DDO2418 BUTT**
 - **DDO2718**
 - ◆ **DDO3018**
 - Two Drawer
 - ◆ **DDO3618 .2D**
 - 24" Deep
 - **DDO2424 BUTT**
 - **DDO2724**
 - ◆ **DDO3024**
 - Two Drawer
 - ◆ **DDO3624 .2D**
 - 21" Deep
 - **DDO24 BUTT**
 - **DDO27**
 - ◆ **DDO30**
 - Two Drawer
 - ◆ **DDO36 .2D**
- Change Width (CW) option **not** available
- ◆ 3" center stile

- Comfortable height for dressing table or writing surface
- One adjustable shelf
- DDO30 and 36 available with Full-Height Door (FHK) option
- ☆ Operational End (OE) is **not** available with Reduced Depth (RD) option

PE
APC
APFC
FPEB
MI
☆ OE
☆ CW
RD
CH
IF
TWR
WR
XS
GD
RTK
RTKP
VTK
TKD

Desk Full-Height Door



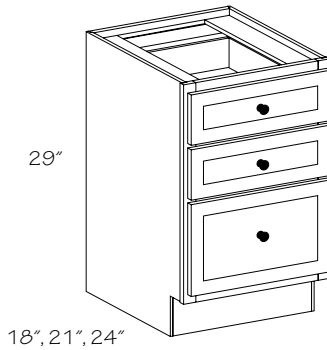
- 18" Deep**
- **DDO1218 R or L.FH**
 - **DDO1518 R or L.FH**
 - **DDO1818 R or L.FH**
 - ◆ **DDO3018 .FH**
 - ◆ **DDO3618 .FH**
- 21" Deep**
- **DDO12R or L.FH**
 - **DDO15R or L.FH**
 - **DDO18R or L.FH**
 - ◆ **DDO30.FH**
 - ◆ **DDO36.FH**
- Change Width (CW) option *not* available
- ◆ 3" center stile

- 24" Deep**
- **DDO1224 R or L.FH**
 - **DDO1524 R or L.FH**
 - **DDO1824 R or L.FH**
 - ◆ **DDO3024 .FH**
 - ◆ **DDO3624 .FH**

- Specify R or L for single door hinging
- Comfortable height for dressing table or writing surface
- One adjustable shelf
- ☆ Operational End (OE) is *not* available with Reduced Depth (RD) option

- PE
- APC
- APFC
- FPFB
- MI
- ☆ OE
- ☆ CW
- RD
- CH
- IF
- TWR
- WR
- XS
- GD
- RTK
- RTKP
- VTK
- TKD

Desk Drawer Cabinet



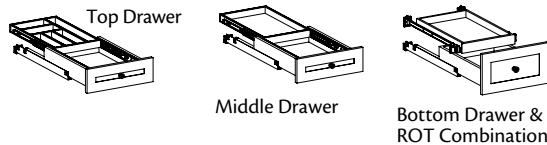
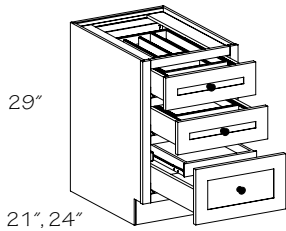
- 18" Deep**
- **DDR1218**
 - **DDR1518**
 - **DDR1818**
 - **DDR2118**
 - **DDR2418**
- 21" Deep**
- **DDR12**
 - **DDR15**
 - **DDR18**
 - **DDR21**
 - **DDR24**
- Change Width (CW) option *not* available

- 24" Deep**
- **DDR1224**
 - **DDR1524**
 - **DDR1824**
 - **DDR2124**
 - **DDR2424**

- Comfortable height for dressing table or writing surface
- Two standard drawers
- One deep drawer
- Deep drawer will *not* accept hanging file folders

- PE
- APC
- APFC
- FPFB
- MI
- OE
- CW
- RD
- CH
- IF
- TWR
- WR
- XS
- GD
- RTK
- RTKP
- VTK
- TKD

Desk Multi-Storage Drawer Cabinet

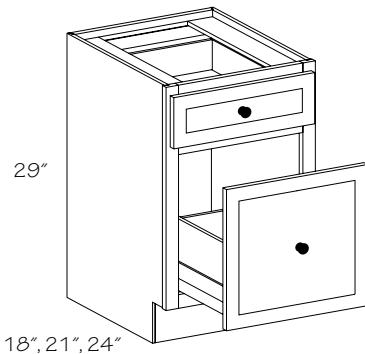


- 21" Deep**
- **DMSD18**
 - **DMSD21**
 - **DMSD24**
- 24" Deep**
- **DMSD1824**
 - **DMSD2124**
 - **DMSD2424**

- Bottom drawer is 4" deep with standard Roll-out Tray (ROT) above drawer
- Two Tiered Drawer Storage drawers with dividers in top tray of top drawer only

- PE
- APC
- APFC
- FPFB
- MI
- OE
- CW
- RD
- CH
- IF
- TWR
- WR
- XS
- GD
- RTK
- RTKP
- VTK
- TKD

Desk File Drawer Cabinet



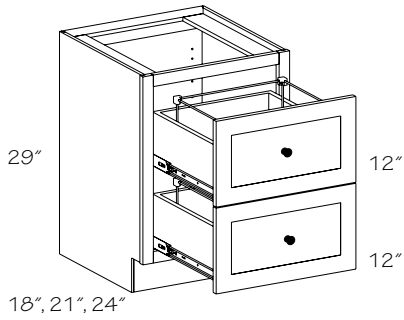
- 18" Deep**
- **DFD1518**
 - **DFD1818**
 - **DFD2118**
 - **DFD2418**
- 21" Deep**
- **DFD15**
 - **DFD18**
 - **DFD21**
 - **DFD24**
- Change Width (CW) option *not* available

- 24" Deep**
- **DFD1524**
 - **DFD1824**
 - **DFD2124**
 - **DFD2424**

- One standard drawer, one deep drawer
- Designed to accept standard hanging file system - hanging system *not* included
- 15", 21" and 24" wide DFDs are designed to be used as a lateral file
- 18" deep cabinets *cannot* hold legal size folders when used as a lateral file
- All DFD drawer fronts will match the door panel detail rather than the standard drawer front for that door style
- Hanging file hardware is *not* included
- Hanging file folders *not* included
- ☆ Minimum Reduced Depth (RD) is 18"

- PE
- APC
- APFC
- FPFB
- MI
- OE
- ☆ CW
- ☆ RD
- CH
- IF
- TWR
- WR
- XS
- GD
- RTK
- RTKP
- VTK
- TKD

Desk Double File Drawer

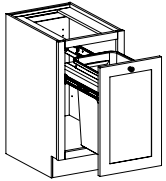


18" Deep
DDFD1818
DDFD2418
DDFD3018
 21" Deep
DDFD18
DDFD24
DDFD30
 24" Deep
DDFD1824
DDFD2424
DDFD3024

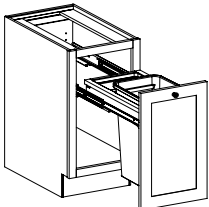
- Two deep drawers with side-mount full-extension runners
- 24" wide DDFDs are designed to be used as a lateral file and can be adjusted to accept letter or legal file folders
- 18" and 30" wide DDFDs are designed to be used as a standard or lateral file and can be adjusted to accept letter or legal file folders
- 18" deep cabinets **cannot** hold legal size folders when used as a lateral file
- Hanging file hardware is included and attached to drawer box sides to support hanging file folders. Drawer box bottom does **not** support any weight
- Hanging file folders **not** included

- PE
- APC
- APFC
- FPFB
- MI
- OE
- CW
- RD
- CH
- IF
- TWR
- WR
- XS
- GD
- RTK
- RTKP
- VTK
- TKD

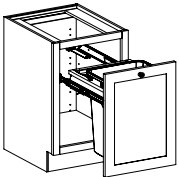
Desk Wastebasket



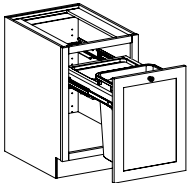
DWBT15 18"-21" D



DWBT1524



DWBT18 18"-21" D

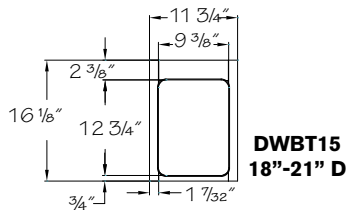


DWBT1824

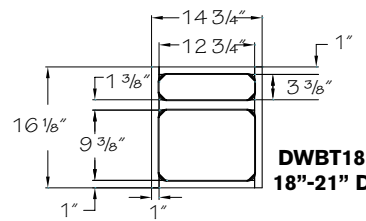
18" Deep
DWBT1518 .FH
DWBT1818 .FH
 21" Deep
DWBT15 .FH
DWBT18 .FH
 24" Deep
DWBT1524 .FH
DWBT1824 .FH

- One 35 qt. capacity basket
- Grey basket(s)
- Basket(s) rest in a Natural Maple plywood frame
- Basket(s) are easily removable for emptying or cleaning
- Door is attached to roll-out unit
- Frame slides on full extension glides
- Includes 3 1/2" deep bag storage tray at rear
- Optional Wastebasket Lid (WBL35.G) available for 35 qt. wastebasket

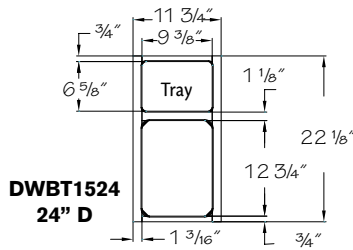
- PE
- APC
- APFC
- FPFB
- MI
- OE
- CW
- RD
- CH
- IF
- TWR
- WR
- XS
- GD
- RTK
- RTKP
- VTK
- TKD



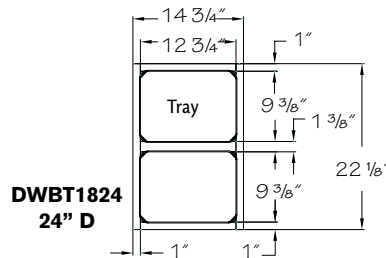
DWBT15 18"-21" D



DWBT18 18"-21" D

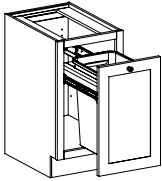


DWBT1524 24" D

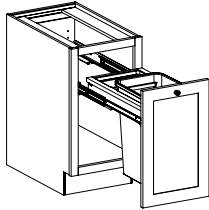


DWBT1824 24" D

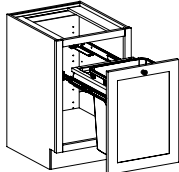
Desk Wastebasket w/Soft-Close Runners



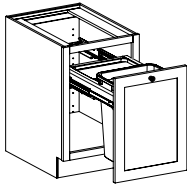
DWBT15 21" D



DWBT1524



DWBT18 21" D



DWBT1824

21" Deep

DWBT15 .FH.SC

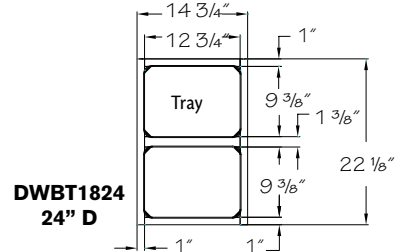
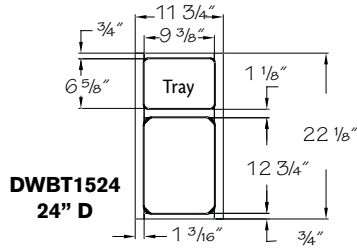
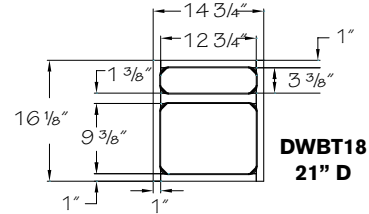
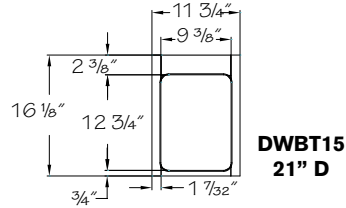
DWBT18 .FH.SC

24" Deep

DWBT1524 .FH.SC

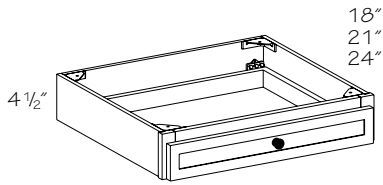
DWBT1824 .FH.SC

- One 35 qt. capacity basket
- Grey basket(s)
- Basket(s) rest in a Natural Maple plywood frame
- Basket(s) are easily removable for emptying or cleaning
- Door is attached to roll-out unit
- Frame slides on Soft-Close, full extension glides
- Includes 3 1/2" deep bag storage tray at rear
- Optional Wastebasket Lid (WBL35.G) available for 35 qt. wastebasket

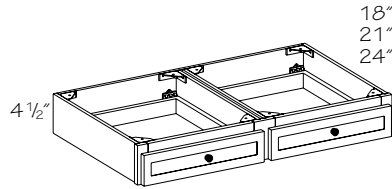


- PE
- APC
- APFC
- FPFB
- MI
- OE
- CW
- RD
- CH
- IF
- TWR
- WR
- XS
- GD
- RTK
- RTKP
- VTK
- TKD

Desk Knee Drawer Cabinet



DKD21-DKD33



DKD36 -2D

18" Deep

- DKD2118
- DKD2418
- DKD2718
- DKD3018
- DKD3318
- ▲○DKD3618 .2D

21" Deep

- DKD21
- DKD24
- DKD27
- DKD30
- DKD33
- ▲○DKD36 .2D

24" Deep

- DKD2124
- DKD2424
- DKD2724
- DKD3024
- DKD3324
- ▲○DKD3624 .2D

- Change Width (CW) option *not* available
- ▲ Two drawers side by side

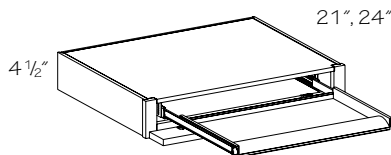
- Unit is designed for use between two base, desk or tall cabinets
- When mounted at 29" height with a 1 1/2" countertop, unit provides a comfortable writing surface
- One end of DKD can be supported by optional Desk End Panel (DEP)
- Slab drawer in all all door styles except Martel
- **Not** trimmable
- ☆ End panels are 1/2" plywood with Natural Birch printed wood grain laminate interior and exterior



Consider using a Cabinet Front Only (CFO) under a desk to cover up wires, outlets etc. This will decorate the area, plus give easy access to cords. Especially useful if you are placing a CPU in a cabinet next to your knee space.

☆	PE
●	APC
●	APFC
●	FPEB
●	MI
●	OE
☆	CW
●	RD
●	CH
●	IF
●	TWR
●	WR
●	XS
●	GD
●	RTK
●	RTKP
●	VTK
●	TKD

Computer Keyboard Drawer Cabinet



21" Deep

KBD27

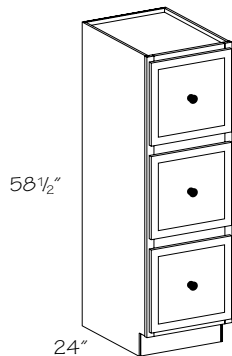
24" Deep

KBD2724

- Pull-out keyboard tray
- Tilt down drawer front
- Adjustable wrist rest
- Unit is designed for use between two base, desk or tall cabinets
- When mounted at 29" height with a 1 1/2" countertop, unit provides a comfortable writing surface
- If unit is installed at an angle, fillers should be used to avoid interference with adjacent cabinet
- One end of KBD can be supported by optional desk end panel DEP
- Slab drawer front in all door styles; DRPD *not* available
- Keyboard tray mechanism shipped separately
- **Not** trimmable

●	PE
●	APC
●	APFC
●	FPEB
●	MI
●	OE
●	CW
●	RD
●	CH
●	IF
●	TWR
●	WR
●	XS
●	GD
●	RTK
●	RTKP
●	VTK
●	TKD

Tall File Cabinet 24" Deep

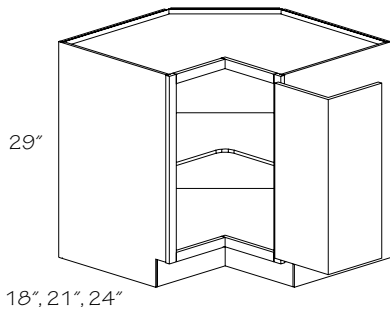


TFD182458

- Three file drawers
- Designed to accept standard hanging file system - hanging system *not* included
- Hanging file folders *not* included
- ☆ Minimum Reduced Depth (RD) is 18"
- **Note:** This cabinet is constructed with a standard ceiling panel; a finished top is recommended

●	PE
●	APC
●	APFC
●	FPEB
●	MI
●	OE
●	CW
☆	RD
●	CH
●	IF
●	TWR
●	WR
●	XS
●	GD
●	RTK
●	RTKP
●	VTK
●	TKD

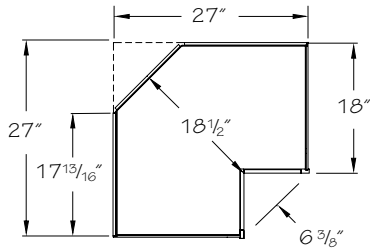
Desk Easy Reach



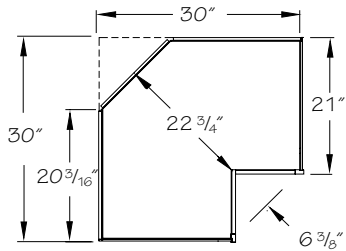
DEZR2718 R or L
DEZR3021 R or L
DEZR3324 R or L

- Specify R or L for single door hinging
- One adjustable shelf
- Doors are profiled on one long and two short edges and are connected with hinges
- Angled back provides clearance for installation
- Wood-Grain Foil door styles will be supplied as vertical grain slabs
- Vega doors will have a solid, recessed flat panel. Caparo doors will have a veneer, recessed flat panel
- Contrasting Back Options (CBEB, CPLB, CVGR) **not** available
- **Note:** Does **not** include Soft-Close feature

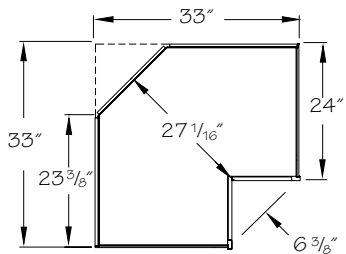
●	PE
●	APC
●	APFC
●	FPEB
●	MI
●	OE
●	CW
●	RD
●	CH
●	IF
●	TWR
●	WR
●	XS
●	GD
●	RTK
●	RTKP
●	VTK
●	TKD



DEZR2718



DEZR3021



DEZR3324

Office Accessories

Construction Options and Modifications

PE	Plywood Ends
APC	All Plywood Construction
APFC	All Plywood Furniture Construction
FPEB	Furniture Plywood Ends
CW	Change Width
RD	Reduced Depth
CH	Change Height
WR	Wide Bottom Rail
RTK	Recessed Toe Kick
RTKP	Recessed Toe Kick Peninsula
VTK	Void Toe Kick

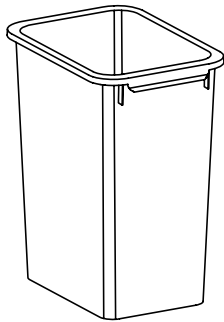
RDFC	3	27
code	width	depth

- ❖ Included as standard
- Available with an upcharge
- ☆ Available with exceptions
- (Blank) **Not** available

Material dimensions listed may vary slightly from actual dimensions of the product.

Specifications subject to change without notice

Replacement Wastebasket

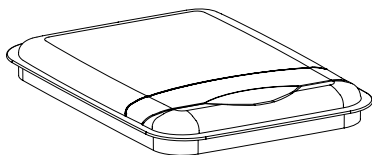


RCWB35 35 qt.
RCWB50 50 qt.

- Grey basket(s)
- Field installation only
- Optional Wastebasket Lid (WBL) available for 35 and 50 qt. wastebaskets

PE
APC
APFC
FPEB
CW
RD
CH
WR
RTK
RTKP
VTK

Wastebasket Lid

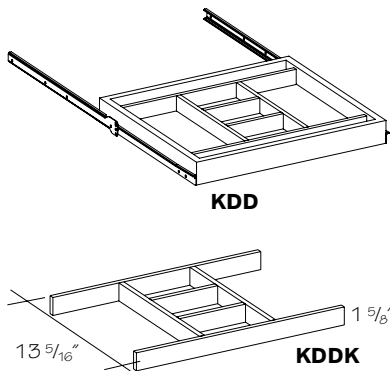


Fits 35 qt. Wastebasket
WBL35.G Grey
Fits 50 qt. Wastebasket
WBL50.G Grey

- Lid flips open manually
- Lid holds can liner in place

PE
APC
APFC
FPEB
CW
RD
CH
WR
RTK
RTKP
VTK

Knee Drawer Divider or Kit



Installed
* **KDD18**
KDD21
KDD24
KDD27
KDD30

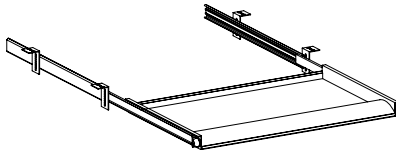
Kit *Section width*
* **KDDK18** 3 7/8"
KDDK21 4 7/8"
KDDK24 5 7/8"
KDDK27 6 7/8"
KDDK30 7 7/8"

* For one side of DKD36*2D

- Fits DKD drawers only
- 1/2" thick solid wood dividers are 1 1/2" high
- Each long section is approximately 12 1/2" deep
- All units are 13 5/16" deep
- Order Example: Installation in both drawers of DKD36*2D use DKD36*2D-KDD18-KDD18

PE
APC
APFC
FPEB
CW
RD
CH
WR
RTK
RTKP
VTK

Computer Keyboard Drawer Kit

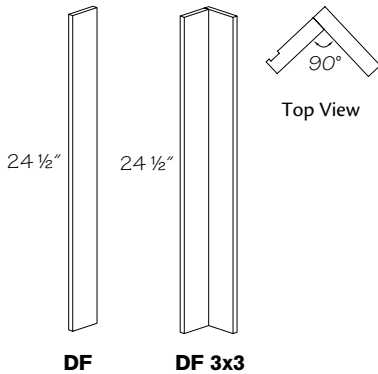


KBDK

- Store under work surface when *not* in use
- Minimum 24" clear width and 21" clear depth required for installation
- Adjustable wrist rest
- If unit is installed at an angle, fillers should be used to avoid interference with adjacent cabinet
- Field installation only

PE
APC
APFC
FPEB
CW
RD
CH
WR
RTK
RTKP
VTK

Desk Filler

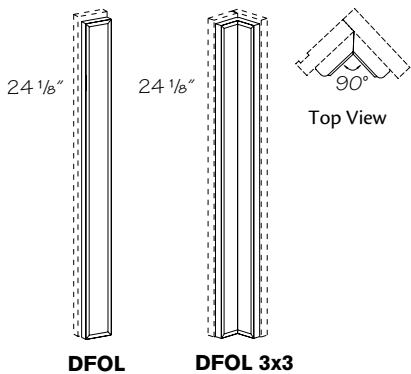


**DF3
DF6
DF3X3**

- 3/4" thick solid wood
- Finished one side only
- Crafted or Quartersawn door styles will be supplied in plain sawn wood
- No toe kick
- Painted or Stained hardwood supplied for Wood-Grain Foil door styles

PE
APC
APFC
FPEB
CW
RD
CH
WR
RTK
RTKP
VTK

Desk Filler Overlay



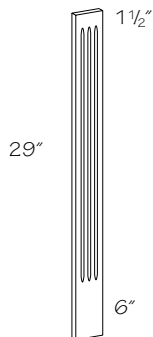
**DFOL3
DFOL6
▲ DFOL3X3**

- ▲ Shipped as two pieces in Thermofoil and Wood-Grain Foil door styles. **Must** be field trimmed and mitered

- Available in full overlay door styles only
- Available in High-Gloss Foils finish except in 3X3 models
- Filler overlay has routed door profile and is made from the same material as doors and drawer fronts
- Filler ordered separately

PE
APC
APFC
FPEB
CW
RD
CH
WR
RTK
RTKP
VTK

Desk Fluted Filler

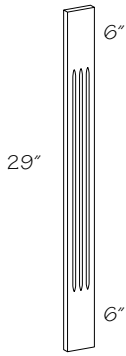


**DFF3
DFF6**

- 3/4" thick solid wood
- Painted hardwood supplied for EverCore® and Thermofoil
- Painted or Stained hardwood supplied for Wood-Grain Foil door styles
- Quartersawn door styles are supplied plain sawn

PE
APC
APFC
FPEB
CW
RD
CH
WR
RTK
RTKP
VTK

Plain Capital Desk Fluted Filler

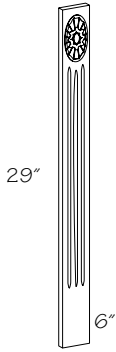


PCDFF3
PCDFF6

- 3/4" thick solid wood
- Painted hardwood supplied for EverCore® and Thermofoil
- Painted or Stained hardwood supplied for Wood-Grain Foil door styles
- Quartersawn door styles are supplied plain sawn

PE
APC
APFC
FPEB
CW
RD
CH
WR
RTK
RTKP
VTK

Rosette Desk Fluted Filler

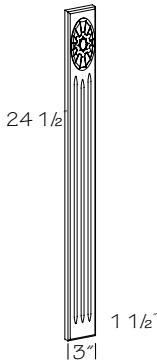


RDF3

- 3/4" thick solid wood
- Applied decorative rosette
- Quartersawn door styles are supplied plain sawn
- **Not** available in Rustic Alder door styles
- **Not** available in Wood-Grain Foil door styles
- Painted hardwood supplied for EverCore® and Thermofoil

PE
APC
APFC
FPEB
CW
RD
CH
WR
RTK
RTKP
VTK

Rosette Desk Fluted Filler Overlay

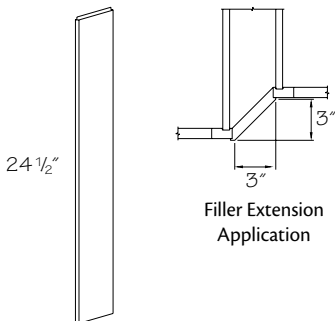


RFDFOL3

- 3/4" thick solid wood
- Applied decorative rosette
- Quartersawn door styles are supplied plain sawn
- **Not** available in Rustic Alder door styles
- **Not** available in Wood-Grain Foil door styles
- Painted hardwood supplied for EverCore® and Thermofoil

PE
APC
APFC
FPEB
CW
RD
CH
WR
RTK
RTKP
VTK

Filler Extension

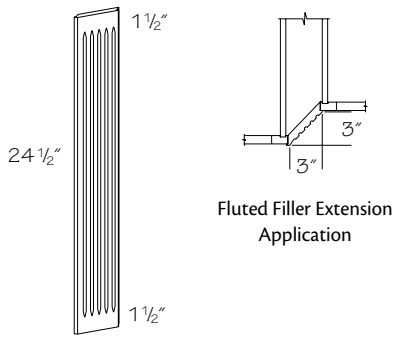


FE3.25

- 3/4" thick solid wood
- Crafted or Quartersawn door styles will be supplied in plain sawn wood
- Painted hardwood supplied for EverCore® and Thermofoil
- Painted or Stained hardwood supplied for Wood-Grain Foil door styles

PE
APC
APFC
FPEB
CW
RD
CH
WR
RTK
RTKP
VTK

Fluted Filler Extension



Fluted Filler Extension

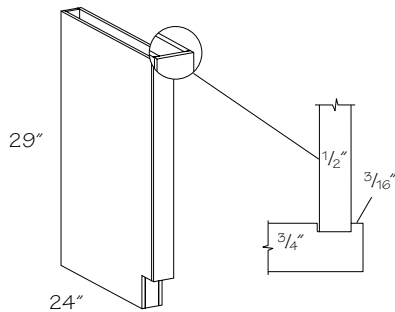
FFE3.25

Fluted Filler Extension Application

- 3/4" thick solid wood
- Painted hardwood supplied for EverCore® and Thermofoil
- Painted or Stained hardwood supplied for Wood-Grain Foil door styles
- Quartersawn door styles are supplied plain sawn

PE
APC
APFC
FPEB
CW
RD
CH
WR
RTK
RTKP
VTK

Desk Box

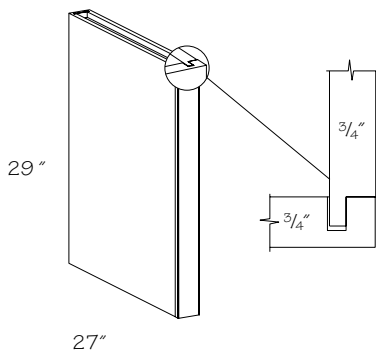


DB3

- Finished front and both sides
- Crafted or Quartersawn door styles will be supplied in plain sawn wood
- Painted hardwood supplied for EverCore®
- Painted or Stained hardwood supplied for Wood-Grain Foil door styles
- Reversible, may be used on either right or left end
- ☆ Only available with Recessed Toe Kick Peninsula Back (RTKP); **cannot** accommodate Recessed Toe Kick for sides (RTKPB, RTKPL, RTKPR)

● PE
● APC
● APFC
● FPEB
● CW
● RD
● CH
● WR
● RTK
☆ RTKP
● VTK

Desk Column



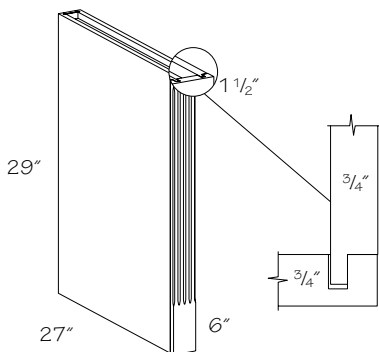
○ DC327
DC627

- Change Width (CW) option **not** available

- Front is 3/4" solid wood
- Quartersawn Oak door styles have 3/4" solid quartersawn wood front and quartersawn wood veneer end panels
- Plain sawn material supplied for Bristow Crafted door styles
- Painted hardwood supplied for EverCore®
- Foil-wrapped MDF supplied for Wood-Grain Foil door styles on face frame only
- Finished front and both sides
- Reversible, may be used on either right or left end
- ☆ APFC standard when APC option is selected

PE
● APC
☆ APFC
❖ FPEB
☆ CW
● RD
● CH
❖ WR
RTK
RTKP
VTK

Desk Fluted Column

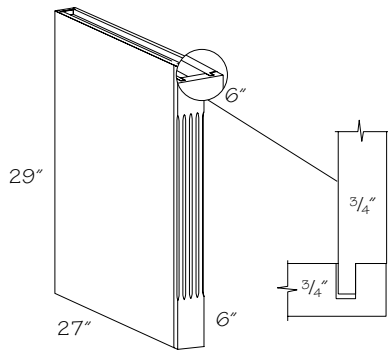


DFC327

- Fluted front is 3/4" solid wood; plain sawn wood supplied for quartersawn door styles
- Finished front and both sides
- Quartersawn Oak door styles have quartersawn wood veneer end panels
- Plain sawn material supplied for Bristow Crafted door styles
- Reversible, may be used on either right or left end
- Painted hardwood supplied for EverCore®
- Painted or Stained hardwood supplied for Wood-Grain Foil door styles
- ☆ APFC standard when APC option is selected

PE
● APC
☆ APFC
❖ FPEB
● CW
● RD
● CH
❖ WR
RTK
RTKP
VTK

Plain Capital Desk Fluted Column

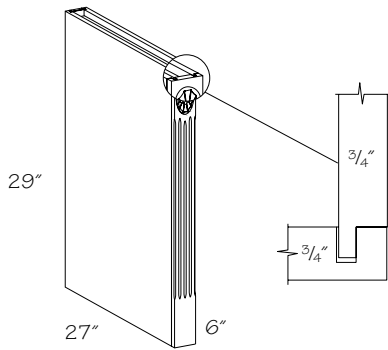


PCDFC327

- Fluted front is 3/4" solid wood; plain sawn wood supplied for quartersawn door styles
- Finished front and both sides
- Quartersawn Oak door styles have quartersawn wood veneer end panels
- Plain sawn material supplied for Bristow Crafted door styles
- Painted hardwood supplied for EverCore®
- Painted or Stained hardwood supplied for Wood-Grain Foil door styles
- Reversible, may be used on either right or left end
- ☆ APFC standard when APC option is selected

PE
● APC
☆ APFC
❖ FPFB
CW
● RD
● CH
❖ WR
RTK
RTKP
VTK

Rosette Desk Fluted Column

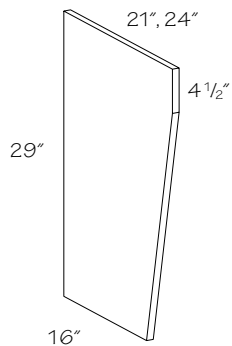


RDFC327

- Fluted front is 3/4" solid wood; plain sawn wood supplied for quartersawn door styles
- Applied decorative rosette
- Quartersawn Oak door styles have quartersawn wood veneer end panels
- Plain sawn material supplied for Bristow Crafted door styles
- Finished front and both sides
- Reversible, may be used on either right or left end
- Painted hardwood supplied for EverCore® and Thermofoil
- **Not** available in Rustic Alder door styles
- **Not** available in Wood-Grain Foil door styles
- ☆ APFC standard when APC option is selected

PE
● APC
☆ APFC
❖ FPFB
CW
● RD
● CH
❖ WR
RTK
RTKP
VTK

Desk End Panel



Printed Woodgrain Laminate

VDEP2129

VDEP2429

Wood Veneer

※ **WDEP2129**

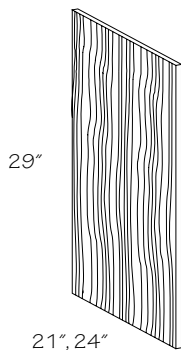
※ **WDEP2429**

※ Painted hardwood supplied for EverCore® and Thermofoil

- Printed wood grain laminate panel is 3/4" thick
- Wood veneer panel is 13/16" thick
- Unit designed to support one end of Desk Knee Drawer (DKD)
- Finished front and both sides
- Painted or Stained hardwood supplied for Wood-Grain Foil door styles
- Quartersawn door styles are supplied plain sawn
- ☆ APC panel only available in wood veneer
- ☆ APC panel is 11/16" thick

PE
☆ APC
APFC
FPFB
CW
RD
CH
WR
RTK
RTKP
VTK

Square Desk End Panel



Printed Woodgrain Laminate Width x Height x Thickness

■ **VDEP21 .S** 21 x 29 x 3/4"

■ **VDEP24 .S** 24 x 29 x 3/4"

Wood Veneer

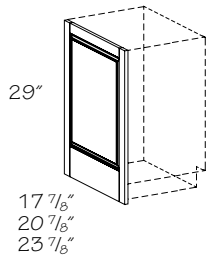
※ **WDEP21 .S** 21 x 29 x 13/16"

※ **WDEP24 .S** 24 x 29 x 13/16"

■ Quartersawn door styles are supplied plain sawn
 ※ Painted hardwood supplied for EverCore® and Thermofoil

- Quartersawn door styles are quartersawn wood veneer
- Edgebanded one long edge
- Finished to match exterior both sides
- Painted or Stained hardwood supplied for Wood-Grain Foil door styles
- ☆ APC panel only available in wood veneer
- ☆ APC panel is 11/16" thick

PE
☆ APC
APFC
FPFB
CW
RD
CH
WR
RTK
RTKP
VTK

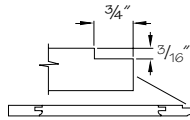


Matching Desk End Panel

MDEP18 R or L
MDEP21 R or L
MDEP24 R or L



When designing with Matching End Panels the reveal will differ from the cabinet door height reveal. Matching End Panels cover the entire side of the cabinet. See drawing for exact measurements

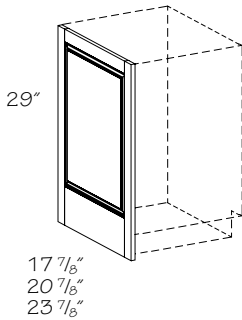


Standard edge detail—fits flush against 1/2" end panel and behind face frame

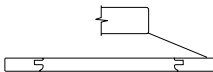
- Specify R or L
- 3/4" thick panel with matching door edge profile on front edge only
- Inside of matching panel bottom rail will line up with inside bottom rail of door
- Left shown
- Field installation only
- Foil and slab door styles do **not** have grooves and will **not** fit flush against 1/2" end panel. A 3/16" shim is recommended
- Quartersawn door styles are supplied plain sawn
- Epic and Foil door styles do **not** have grooves and will **not** fit flush against 1/2" end panel. A 3/16" shim is recommended
- **Not** available in High-Gloss Foil door styles
- ☆ Wide Bottom Rail—field notch for toe kick

PE
APC
APFC
FPEB
● CW
RD
● CH
☆ WR
RTK
RTKP
VTK

Matching Desk End Panel—Square Edges



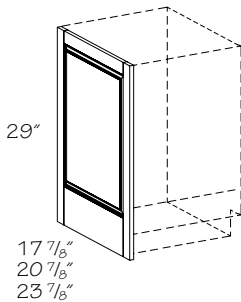
MDEP18 S
MDEP21 S
MDEP24 S



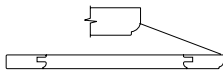
- 3/4" thick panel with square edge front and back
- Inside of matching panel bottom rail will line up with inside bottom rail of door
- Field installation only
- Reversible, may be used on either right or left end
- **Not** available in High-Gloss Foil, Thermofoil or Wood-Grain Foil door styles
- **Not** available in mitered door styles; use End Panel—Mitered
- Quartersawn door styles are supplied plain sawn
- ☆ Wide Bottom Rail—field notch for toe kick

PE
APC
APFC
FPEB
● CW
RD
● CH
☆ WR
RTK
RTKP
VTK

Furniture Matching Desk End Panel



FMDEP18 R or L
FMDEP21 R or L
FMDEP24 R or L

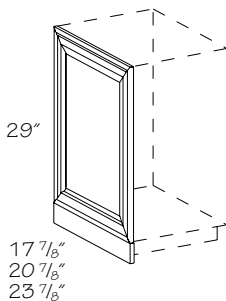


Will not fit flush against 1/2" end panel, a 3/16" shim is recommended

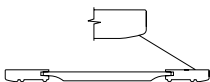
- Specify R or L
- 3/4" thick panel with matching door edge profile on front edge only
- Inside of matching panel bottom rail will line up with inside bottom rail of door
- Left shown
- Field installation only
- For use with Furniture Plywood Ends (FPEB)—flush ends
- **Not** available in mitered door styles; use End Panel—Mitered
- **Not** available in High-Gloss Foil or Wood-Grain Foil door styles
- Quartersawn door styles are supplied plain sawn
- ☆ Wide Bottom Rail—field notch for toe kick

PE
APC
APFC
FPEB
● CW
RD
● CH
☆ WR
RTK
RTKP
VTK

Matching Desk End Panel—Mitered



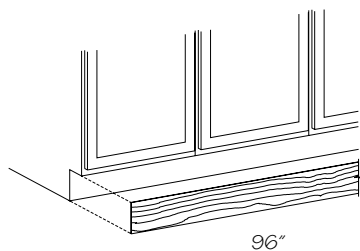
M.MDEP18
M.MDEP21
M.MDEP24



Will not fit flush against 1/2" end panel, a 3/16" shim is recommended

- 3/4" thick panel with matching door edge profile on four sides
- Inside of matching panel bottom rail will line up with inside bottom rail of door
- Reversible, may be used on either right or left end
- Available in mitered and Carlin door styles only
- Field installation only
- Toe kick shipped unattached
- ☆ Wide Bottom Rail—field notch for toe kick

PE
APC
APFC
FPEB
● CW
RD
● CH
☆ WR
RTK
RTKP
VTK



Toe Kick

Black

- † **BLTK8** 1/8" thick hardboard, 4 1/2" high

Printed Woodgrain Laminate

- **MTK8** 1/8" thick hardboard, 4 1/2" high, laminated with matching Printed Woodgrain Laminate

Laminate

- MTK8** 1/8" thick hardboard, 4 1/2" high, laminated with matching printed wood grain laminate

Aluminum finish

- MTK8 .A** 1/16" thick flexible laminate, 4 1/2" high

Stainless finish

- MTK8 .S** 1/16" thick flexible laminate, 4 1/2" high

Wood Veneer

- †▲ **WMTK8** 3/16" thick wood veneer, 4 1/2" high, to match

- † Painted hardwood supplied for EverCore®
- Quartersawn door styles are supplied plain sawn
- † Quartersawn door styles are quartersawn wood veneer
- ▲ Painted or Stained hardwood supplied for Wood-Grain Foil door styles

- Edges are unfinished
- Field installation only
- **Note:** Matching toe kick is **not** automatically supplied with cabinets. It **must** be ordered as a separate item



Apply Shoe Molding (SHO8) at the base of Matching Toe Kicks or Wood Matching Toe Kicks (MTK8 or WMTK8) for a nice, finished look.

PE
APC
APFC
FPEB
CW
RD
CH
WR
RTK
RTKP
VTK

Bookshelves

Construction Options and Modifications

FW	18	12	48
code	width	depth	height

- ❖ Included as standard
- Available with an upcharge
- ☆ Available with exceptions
- (Blank) **Not** available

- PE Plywood Ends
- APC All Plywood Construction
- APFC All Plywood Furniture Construction
- FPEB Furniture Plywood Ends
- MI Matching Interior
- DE Integrated Decorative End
- CW Change Width
- RD Reduced Depth
- CH Change Height
- WR Wide Bottom Rail
- XS Extended Stile
- GD Glass Doors
- RTK Recessed Toe Kick
- VTK Void Toe Kick
- TKD Toe Kick Drawer

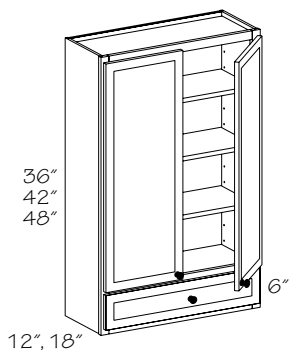
Note: Standard furniture cabinet box depth is 12", 18", 21" or 24", unless stated otherwise. Add door thickness and bumper for total depth.

Note: Unless noted, all Furniture Cabinets are manufactured in 3/4" Furniture Plywood Ends with matching wood veneer or Wood grain laminate interiors. Due to toe kicks shipping separately on 96" high units, 96" furniture cabinets will be manufactured with 1/2" plywood end panels so the ends can be skinned to hide the seam. Skins **must** be ordered separately.

Material dimensions listed may vary slightly from actual dimensions of the product.

Specifications subject to change without notice.

Furniture Wall



Single Door
48" High

FW181248 R or L
FW181848 R or L

Double Door
36" High

FW271236 (Butt)
FW271836 (Butt)

Double Door
42" High

FW271242 (Butt)
FW271842 (Butt)

Double Door
48" High

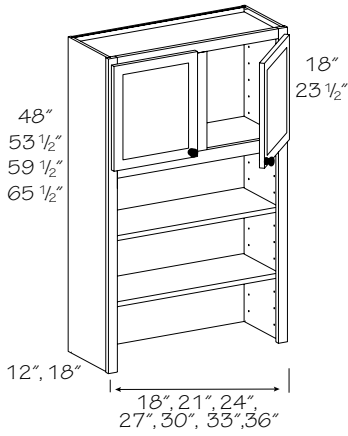
- **FW241248 BUTT**
- **FW271248 (Butt)**
- **FW241848 BUTT**
- **FW271848 (Butt)**

○ Change Width (CW) option **not** available

- Specify R or L for single door hinging
- Adjustable shelves
- 36" high has two shelves, 42" and 48" have three shelves
- Quartersawn Oak door styles have quartersawn wood veneer end panels
- Plain sawn material supplied for Bristow Crafted door styles
- ☆ APFC standard when APC option is selected
- ☆ Drawer becomes false front when cabinet depth is reduced to less than 12"
- Shelves shipped separately

PE
● APC
☆ APFC
❖ FPEB
❖ MI
DE
☆ CW
☆ RD
● CH
WR
● XS
● GD
RTK
VTK
TKD

Furniture Wall Top



- Two shelves
48" High
12" Deep*
- FWT181248 R or L**
 - FWT211248 R or L**
 - FWT241248 BUTT**
 - FWT271248 (Butt)**
 - FWT301248**
 - FWT331248**
 - FWT361248**

- Two shelves
48" High
18" Deep*
- FWT181848 R or L**
 - FWT211848 R or L**
 - FWT241848 BUTT**
 - FWT271848 (Butt)**
 - FWT301848**
 - FWT331848**
 - FWT361848**

- Two shelves
53 1/2" High
12" Deep*
- FWT181254 R or L**
 - FWT211254 R or L**
 - FWT241254 BUTT**
 - FWT271254 (Butt)**
 - FWT301254**
 - FWT331254**
 - FWT361254**

- Two shelves
53 1/2" High
18" Deep*
- FWT181854 R or L**
 - FWT211854 R or L**
 - FWT241854 BUTT**
 - FWT271854 (Butt)**
 - FWT301854**
 - FWT331854**
 - FWT361854**

- Three shelves
59 1/2" High
12" Deep*
- FWT181260 R or L**
 - FWT211260 R or L**
 - FWT241260 BUTT**
 - FWT271260 (Butt)**
 - FWT301260**
 - FWT331260**
 - FWT361260**

- Three shelves
59 1/2" High
18" Deep*
- FWT181860 R or L**
 - FWT211860 R or L**
 - FWT241860 BUTT**
 - FWT271860 (Butt)**
 - FWT301860**
 - FWT331860**
 - FWT361860**

- Three shelves
65 1/2" High
12" Deep*
- FWT181266 R or L**
 - FWT211266 R or L**
 - FWT241266 BUTT**
 - FWT271266 (Butt)**
 - FWT301266**
 - FWT331266**
 - FWT361266**

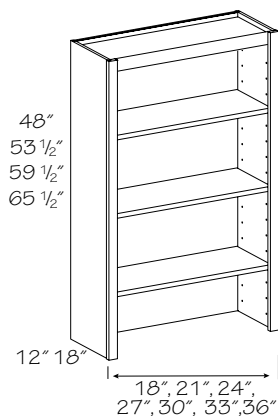
- Three shelves
65 1/2" High
18" Deep*
- FWT181866 R or L**
 - FWT211866 R or L**
 - FWT241866 BUTT**
 - FWT271866 (Butt)**
 - FWT301866**
 - FWT331866**
 - FWT361866**

- Change Width (CW) option *not* available
- Change Height (CH) option *not* available

- Specify R or L for single door hinging
- Adjustable shelves
- 65 1/2" high includes one adjustable shelf in upper section
- Quartersawn door styles are supplied plain sawn
- ☆ APFC standard when APC option is selected
- See Construction Options section for Valance options
- Shelves shipped separately

PE
● APC
☆ APFC
❖ FPFB
❖ MI
DE
☆ CW
● RD
☆ CH
WR
● XS
● GD
RTK
VTK
TKD

Furniture Book Shelf-Top



*Three Shelves
48" High
12" Deep*

○ **FBS181248**
FBS211248
FBS241248
FBS271248
FBS301248
FBS331248
FBS361248

*Three Shelves
48" High
18" Deep*

○ **FBS181848**
FBS211848
FBS241848
FBS271848
FBS301848
FBS331848
FBS361848

*Three Shelves
53 1/2" High
12" Deep*

○ **FBS181254**
FBS211254
FBS241254
FBS271254
FBS301254
FBS331254
FBS361254

*Three Shelves
53 1/2" High
18" Deep*

○ **FBS181854**
FBS211854
FBS241854
FBS271854
FBS301854
FBS331854
FBS361854

*Four Shelves
59 1/2" High
12" Deep*

○ **FBS181260**
FBS211260
FBS241260
FBS271260
FBS301260
FBS331260
FBS361260

*Four Shelves
59 1/2" High
18" Deep*

○ **FBS181860**
FBS211860
FBS241860
FBS271860
FBS301860
FBS331860
FBS361860

*Four Shelves
65 1/2" High
12" Deep*

○ **FBS181266**
FBS211266
FBS241266
FBS271266
FBS301266
FBS331266
FBS361266

*Four Shelves
65 1/2" High
18" Deep*

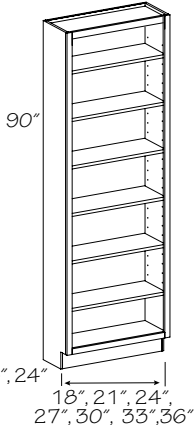
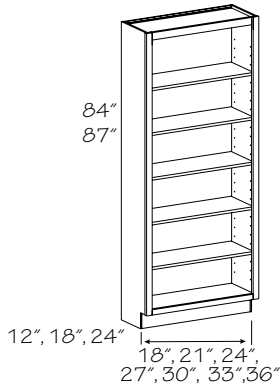
○ **FBS181866**
FBS211866
FBS241866
FBS271866
FBS301866
FBS331866
FBS361866

○ Change Width (CW) option *not* available

- Adjustable shelves
- Quartersawn door styles are supplied plain sawn
- Painted hardwood supplied for EverCore®
- Painted or Stained hardwood supplied for Wood-Grain Foil door styles
- ☆ APFC standard when APC option is selected
- See Construction Options section for Valance options
- Shelves shipped separately

PE
● APC
☆ APFC
❖ FPEB
❖ MI
● DE
● CW
● RD
● CH
● WR
● XS
GD
RTK
VTK
TKD

Furniture Book Shelf—84", 87", and 90" H



Five shelves
84" High
12" Deep

- † **FBS181284**
- † **FBS211284**
- † **FBS241284**
- † **FBS271284**
- † **FBS301284**
- † **FBS331284**
- † **FBS361284**

Five shelves
84" High
18" Deep

- **FBS181884**
- FBS211884**
- FBS241884**
- FBS271884**
- FBS301884**
- FBS331884**
- FBS361884**

Five shelves
84" High
24" Deep

- **FBS182484**
- FBS212484**
- FBS242484**
- FBS272484**
- FBS302484**
- FBS332484**
- FBS362484**

Five shelves
87" High
12" Deep

- † **FBS181287**
- † **FBS211287**
- † **FBS241287**
- † **FBS271287**
- † **FBS301287**
- † **FBS331287**
- † **FBS361287**

Five shelves
87" High
18" Deep

- **FBS181887**
- FBS211887**
- FBS241887**
- FBS271887**
- FBS301887**
- FBS331887**
- FBS361887**

Five shelves
87" High
24" Deep

- **FBS182487**
- FBS212487**
- FBS242487**
- FBS272487**
- FBS302487**
- FBS332487**
- FBS362487**

Six Shelves
90" High
12" Deep

- † **FBS181290**
- † **FBS211290**
- † **FBS241290**
- † **FBS271290**
- † **FBS301290**
- † **FBS331290**
- † **FBS361290**

Six Shelves
90" High
18" Deep

- **FBS181890**
- FBS211890**
- FBS241890**
- FBS271890**
- FBS301890**
- FBS331890**
- FBS361890**

Six Shelves
90" High
24" Deep

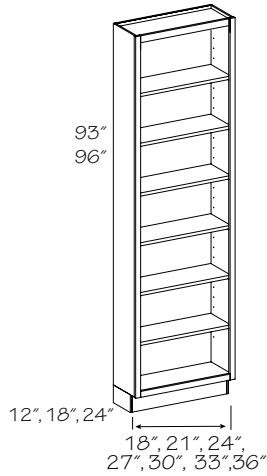
- **FBS182490**
- FBS212490**
- FBS242490**
- FBS272490**
- FBS302490**
- FBS332490**
- FBS362490**

- Change Width (CW) option *not* available
- † Toe Kick Drawer (TKD) option *not* available

- Adjustable shelves
- Painted hardwood supplied for EverCore®
- Painted or Stained hardwood supplied for Wood-Grain Foil door styles
- Quartersawn door styles are supplied plain sawn
- ☆ APFC standard when APC option is selected
- See Construction Options section for Valance options
- Shelves shipped separately

PE
● APC
☆ APFC
❖ FPFB
❖ MI
● DE
☆ CW
● RD
● CH
● WR
● XS
GD
● RTK
● VTK
☆ TKD

Furniture Book Shelf—93" and 96" H



93" High
12" Deep

- **FBS181293**
- FBS211293**
- FBS241293**
- FBS271293**
- FBS301293**
- FBS331293**
- FBS361293**

93" High
18" Deep

- **FBS181893**
- FBS211893**
- FBS241893**
- FBS271893**
- FBS301893**
- FBS331893**
- FBS361893**

93" High
24" Deep

- **FBS182493**
- FBS212493**
- FBS242493**
- FBS272493**
- FBS302493**
- FBS332493**
- FBS362493**

96" High
12" Deep

- **FBS181296**
- FBS211296**
- FBS241296**
- FBS271296**
- FBS301296**
- FBS331296**
- FBS361296**

96" High
18" Deep

- **FBS181896**
- FBS211896**
- FBS241896**
- FBS271896**
- FBS301896**
- FBS331896**
- FBS361896**

96" High
24" Deep

- **FBS182496**
- FBS212496**
- FBS242496**
- FBS272496**
- FBS302496**
- FBS332496**
- FBS362496**

- Change Width (CW) option *not* available

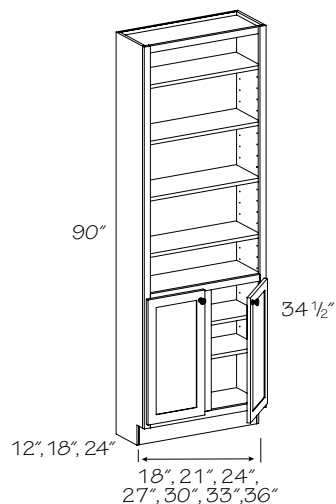
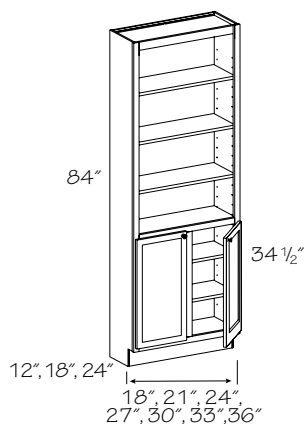
- 1/2" plywood ends with matching interiors
- Includes six adjustable shelves
- Quartersawn door styles are supplied plain sawn
- Painted hardwood supplied for EverCore®
- Painted or Stained hardwood supplied for Wood-Grain Foil door styles
- See Construction Options section for Valance options
- Shelves shipped separately
- Toe kick shipped unattached



Remember to order a 3/16" skin (WSK) for the exposed ends of 93" & 96" high furniture cabinets to conceal the seam between the loose toe kick and the cabinet.

❖ PE
● APC
☆ APFC
FPFB
❖ MI
● DE
☆ CW
● RD
● CH
WR
● XS
GD
RTK
VTK
TKD

Furniture Base 84" and 90" H



- 84" High
12" Deep
- † **FB181284 R or L**
 - † **FB211284 R or L**
 - † **FB241284 R or L**
 - † **FB241284 BUTT**
 - † **FB271284 (Butt)**
 - † **FB301284**
 - † **FB331284**
 - † **FB361284**

- 90" High
12" Deep
- † **FB181290 R or L**
 - † **FB211290 R or L**
 - † **FB241290 R or L**
 - † **FB241290 BUTT**
 - † **FB271290 (Butt)**
 - † **FB301290**
 - † **FB331290**
 - † **FB361290**

- 84" High
18" Deep
- **FB181884 R or L**
 - FB211884 R or L**
 - FB241884 R or L**
 - **FB241884 BUTT**
 - FB271884 (Butt)**
 - FB301884**
 - FB331884**
 - FB361884**

- 90" High
18" Deep
- **FB181890 R or L**
 - FB211890 R or L**
 - FB241890 R or L**
 - **FB241890 BUTT**
 - FB271890 (Butt)**
 - FB301890**
 - FB331890**
 - FB361890**

- 84" High
24" Deep
- **FB182484 R or L**
 - FB212484 R or L**
 - FB242484 R or L**
 - **FB242484 BUTT**
 - FB272484 (Butt)**
 - FB302484**
 - FB332484**
 - FB362484**

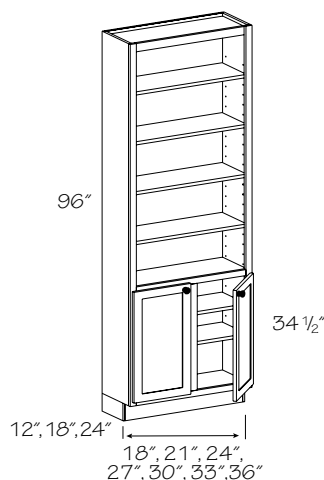
- 90" High
24" Deep
- **FB182490 R or L**
 - FB212490 R or L**
 - FB242490 R or L**
 - **FB242490 BUTT**
 - FB272490 (Butt)**
 - FB302490**
 - FB332490**
 - FB362490**

○ Change Width (CW) option *not* available
† Toe Kick Drawer (TKD) option *not* available

- Specify R or L for single door hinging
- Includes adjustable shelves in open section; three shelves in 84" H and four shelves in 90" H cabinets
- Two adjustable shelves in lower base section
- Quartersawn door styles are supplied plain sawn
- See Construction Options section for Valance options
- ☆ APFC standard when APC option is selected
- Shelves shipped separately

PE
● APC
☆ APFC
❖ FPEB
❖ MI
DE
☆ CW
● RD
● CH
● WR
● XS
● GD
● RTK
● VTK
☆ TKD

Furniture Base 96" H



- 12" Deep
- **FB181296 R or L**
 - FB211296 R or L**
 - FB241296 R or L**
 - **FB241296 BUTT**
 - FB271296 (Butt)**
 - FB301296**
 - FB331296**
 - FB361296**

- 24" Deep
- **FB182496 R or L**
 - FB212496 R or L**
 - FB242496 R or L**
 - **FB242496 BUTT**
 - FB272496 (Butt)**
 - FB302496**
 - FB332496**
 - FB362496**

- 18" Deep
- **FB181896 R or L**
 - FB211896 R or L**
 - FB241896 R or L**
 - **FB241896 BUTT**
 - FB271896 (Butt)**
 - FB301896**
 - FB331896**
 - FB361896**

○ Change Width (CW) option *not* available

- Specify R or L for single door hinging
- 1/2" plywood ends with matching interiors
- Includes four adjustable shelves in open section
- Two adjustable shelves in lower base section
- Quartersawn door styles are supplied plain sawn
- See Construction Options section for Valance options
- Shelves shipped separately
- Toe kick shipped unattached



Remember to order a 3/16" skin (WSK) for the exposed ends of 93" & 96" high furniture cabinets to conceal the seam between the loose toe kick and the cabinet.

❖ PE
● APC
APFC
FPEB
❖ MI
DE
☆ CW
● RD
● CH
WR
● XS
● GD
RTK
VTK
TKD

Wood Tops

Construction Options and Modifications

APC All Plywood Construction

CWT	22	96
code	depth	width

- ❖ Included as standard
- Available with an upcharge
- ☆ Available with exceptions
- (Blank) **Not** available

Wood tops are constructed of 5/8" engineered wood with wood veneer on one side. Front is finished with 3/4" or 49/64" thick by 1 9/16" high solid wood edge molding.

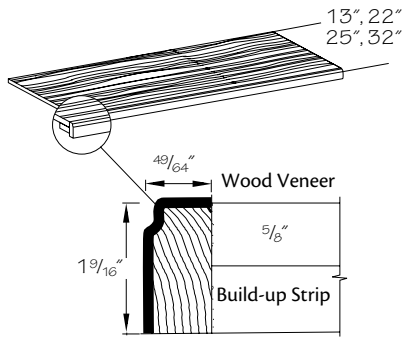
Note: Only one (1) top will be manufactured per 48" or 96" blank.

Material dimensions listed may vary slightly from actual dimensions of the product.

Specifications subject to change without notice.

Traditional Wood Tops

● APC



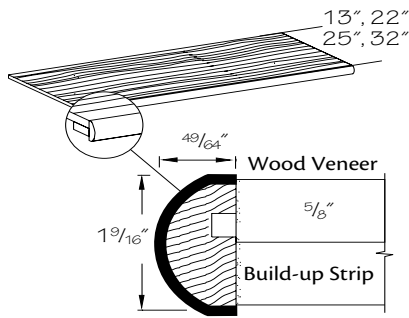
- 48" Wide
- TWT1348**
 - TWT2248**
 - TWT2548**
 - TWT3248**
- 96" Wide
- TWT1396**
 - TWT2296**
 - TWT2596**
 - TWT3296**

- Peninsula
48" Wide
- PTWT1348**
 - PTWT2248**
 - PTWT2548**
 - PTWT3248**
- Peninsula
96" Wide
- PTWT1396**
 - PTWT2296**
 - PTWT2596**
 - PTWT3296**

- Finished dimensions and finished edges **must** be specified. Finished dimensions are available in 1/16" increments only
- Tops will be supplied for straight applications only including peninsula and islands with up to four finished edges
- Wood tops are built to size
- Quartersawn door styles are supplied plain sawn
- Painted hardwood supplied for EverCore® and Thermofoil
- Painted or Stained hardwood supplied for Wood-Grain Foil door styles
- **Not** available in Rustic Alder door styles
- **Note:** Heavy lines indicate finished edges

Contemporary Wood Tops

● APC



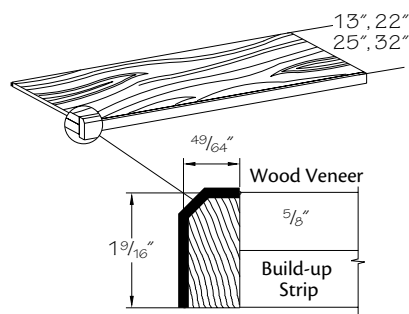
- 48" Wide
- CWT1348**
 - CWT2248**
 - CWT2548**
 - CWT3248**
- 96" Wide
- CWT1396**
 - CWT2296**
 - CWT2596**
 - CWT3296**

- Peninsula
48" Wide
- PCWT1348**
 - PCWT2248**
 - PCWT2548**
 - PCWT3248**
- Peninsula
96" Wide
- PCWT1396**
 - PCWT2296**
 - PCWT2596**
 - PCWT3296**

- Finished dimensions and finished edges **must** be specified. Finished dimensions are available in 1/16" increments only
- Tops will be supplied for straight applications only including peninsula and islands with up to four finished edges
- Wood tops are built to size
- Painted hardwood supplied for EverCore® and Thermofoil
- Painted or Stained hardwood supplied for Wood-Grain Foil door styles
- Quartersawn door styles are supplied plain sawn
- **Not** available in Rustic Alder door styles
- **Note:** Heavy lines indicate finished edges

Angled Wood Tops

● APC



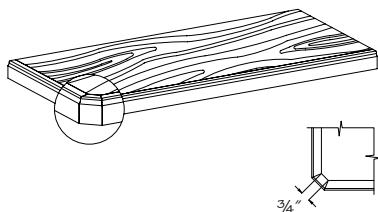
- 48" Wide
- AWT1348**
 - AWT2248**
 - AWT2548**
 - AWT3248**
- 96" Wide
- AWT1396**
 - AWT2296**
 - AWT2596**
 - AWT3296**

- Peninsula
48" Wide
- PAWT1348**
 - PAWT2248**
 - PAWT2548**
 - PAWT3248**
- Peninsula
96" Wide
- PAWT1396**
 - PAWT2296**
 - PAWT2596**
 - PAWT3296**

- Finished dimensions and finished edges **must** be specified. Finished dimensions are available in 1/16" increments only
- Tops will be supplied for straight applications only including peninsula and islands with up to four finished edges
- Wood tops are built to size
- Painted hardwood supplied for EverCore® and Thermofoil
- Painted or Stained hardwood supplied for Wood-Grain Foil door styles
- Quartersawn door styles are supplied plain sawn
- **Note:** Heavy lines indicate finished edges

APC

Clipped Corner Wood Tops



- CCB** Clipped Corner Both
- CCL** Clipped Corner Left
- CCR** Clipped Corner Right

- 45° clipped corners
- Finished Ends supplied when Clipped Corner option is specified
- Painted hardwood supplied for EverCore®
- **Note:** Heavy lines indicate finished edges

TWT2296-CCR

PTWT2296-CCR

TWT2296-CCL

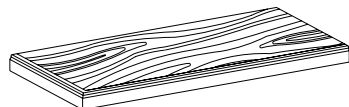
PTWT2296-CCL

TWT2296-CCB

PTWT2296-CCB

Finished End Wood Tops

APC



- FEB** Finished End Both
- FEL** Finished End Left
- FER** Finished End Right

- Edge molding is miter cut at 90° corners
- Painted hardwood supplied for EverCore®
- **Note:** Heavy lines indicate finished edges

TWT2296

PTWT2296

TWT2296-FER

PTWT2296-FER

TWT2296-FEL

PTWT2296-FEL

TWT2296-FEB

PTWT2296-FEB

Furniture Accessories

Construction Options and Modifications

PE	Plywood Ends
APC	All Plywood Construction
APFC	All Plywood Furniture Construction
FPEB	Furniture Plywood Ends
MI	Matching Interior
CW	Change Width
RD	Reduced Depth
CH	Change Height
XS	Extended Stile

WFEP	13	96
code	depth	height

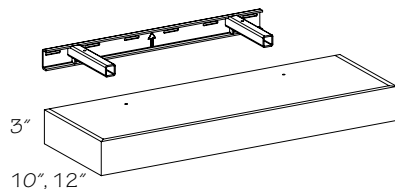
- ❖ Included as standard
- Available with an upcharge
- ☆ Available with exceptions
- (Blank) **Not** available

Note: Unless noted, all furniture cabinets are manufactured in furniture plywood ends with matching wood or Wood grain laminate interiors.

Material dimensions listed may vary slightly from actual dimensions of the product.

Specifications subject to change without notice.

Floating Shelves



10" Deep

- FLS24**
- FLS30**
- FLS36**
- FLS42**
- FLS48**
- FLS60**

Corner

FLSC2410

12" Deep

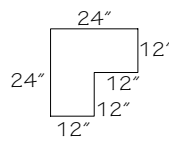
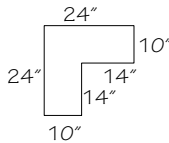
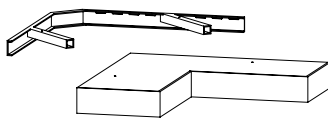
- FLS2412**
- FLS3012**
- FLS3612**
- FLS4212**
- FLS4812**
- FLS6012**

Corner

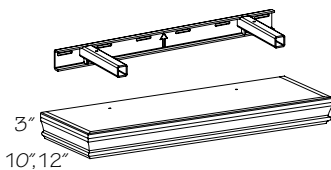
FLSC2412

- 50 lbs. capacity
- Painted hardwood supplied for EverCore®
- Painted or Stained hardwood supplied for Wood-Grain Foil door styles
- **Not** available in High-Gloss Foil door styles
- **Not** available in Quartersawn or Rustic door styles
- **Not** trimmable

PE
❖ APC
APFC
FPEB
MI
CW
RD
CH
XS



Floating Shelf - Cove



10" Deep

- FLS24 .C**
- FLS30 .C**
- FLS36 .C**
- FLS42 .C**
- FLS48 .C**
- FLS60 .C**

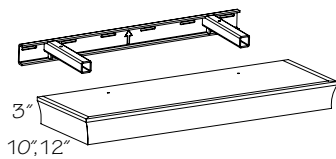
12" Deep

- FLS2412 .C**
- FLS3012 .C**
- FLS3612 .C**
- FLS4212 .C**
- FLS4812 .C**
- FLS6012 .C**

- 50 lbs. capacity
- Painted hardwood supplied for EverCore®
- Painted or Stained hardwood supplied for Wood-Grain Foil door styles
- **Not** available in High-Gloss Foil door styles
- **Not** available in Quartersawn or Rustic door styles
- Matching face molding sold separately - 8' pieces
- Overall depth and width is greater than the nominal dimension
- Molding is applied to the face and both ends
- **Not** trimmable

PE
● APC
APFC
FPEB
MI
CW
RD
CH
XS

Floating Shelf - Sterling

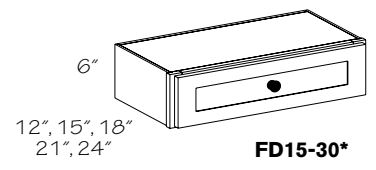


- | | |
|-----------------|-------------------|
| <i>10" Deep</i> | <i>12" Deep</i> |
| FLS24 .S | FLS2412 .S |
| FLS30 .S | FLS3012 .S |
| FLS36 .S | FLS3612 .S |
| FLS42 .S | FLS4212 .S |
| FLS48 .S | FLS4812 .S |
| FLS60 .S | FLS6012 .S |

- 50 lbs. capacity
- Painted hardwood supplied for EverCore®
- Painted or Stained hardwood supplied for Wood-Grain Foil door styles
- **Not** available in High-Gloss Foil door styles
- **Not** available in Quartersawn or Rustic door styles
- Molding is applied to the face and both ends
- Matching face molding sold separately - 8' pieces
- Overall depth and width is greater than the nominal dimension
- **Not** trimmable

PE
❖ APC
APFC
FPEB
MI
CW
RD
CH
XS

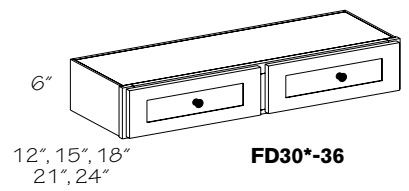
Furniture Drawer 6" H



- | | | |
|-------------------|-------------------|-------------------|
| <i>12" Deep</i> | <i>18" Deep</i> | <i>24" Deep</i> |
| ○ FD151206 | ○ FD151806 | ○ FD152406 |
| FD181206 | FD181806 | FD182406 |
| FD211206 | FD211806 | FD212406 |
| FD241206 | FD241806 | FD242406 |
| FD271206 | FD271806 | FD272406 |
| * FD301206 | * FD301806 | * FD302406 |
| FD361206 | FD361806 | FD362406 |
| <i>15" Deep</i> | <i>21" Deep</i> | |
| ○ FD151506 | ○ FD152106 | |
| FD181506 | FD182106 | |
| FD211506 | FD212106 | |
| FD241506 | FD242106 | |
| FD271506 | FD272106 | |
| * FD301506 | * FD302106 | |
| FD361506 | FD362106 | |

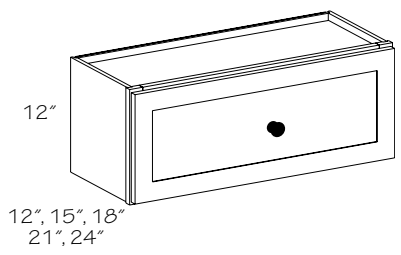
- Framed construction
- 1/2" thick panels

● PE
● APC
● APFC
● FPEB
MI
☆ CW
RD
CH
● XS



○ Change Width (CW) option **not** available
 * Two drawer unit in full overlay door styles

Furniture Drawer 12" H



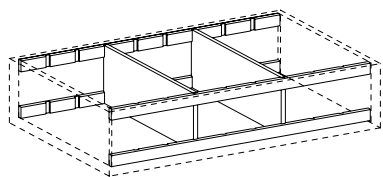
- | | | |
|-------------------|-------------------|-------------------|
| <i>12" Deep</i> | <i>18" Deep</i> | <i>24" Deep</i> |
| ○ FD151212 | ○ FD151812 | ○ FD152412 |
| FD181212 | FD181812 | FD182412 |
| FD211212 | FD211812 | FD212412 |
| FD241212 | FD241812 | FD242412 |
| FD271212 | FD271812 | FD272412 |
| FD301212 | FD301812 | FD302412 |
| FD361212 | FD361812 | FD362412 |
| <i>15" Deep</i> | <i>21" Deep</i> | |
| ○ FD151512 | ○ FD152112 | |
| FD181512 | FD182112 | |
| FD211512 | FD212112 | |
| FD241512 | FD242112 | |
| FD271512 | FD272112 | |
| FD301512 | FD302112 | |
| FD361512 | FD362112 | |

- Framed construction

● PE
● APC
● APFC
● FPEB
MI
☆ CW
RD
CH
● XS

○ Change Width (CW) option **not** available

Adjustable Drawer Dividers



1ADD

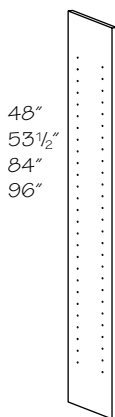
Single Replacement Dividers Only

- ADDIV.7.12** 7" High, 12" Deep Drawers
- ADDIV.7.15** 7" High, 15" Deep Drawers
- ADDIV.7.18** 7" High, 18" Deep Drawers
- ADDIV.7.21** 7" High, 21" Deep Drawers
- ADDIV.7.24** 7" High, 24" Deep Drawers

- Dividers are 1/2" thick and can be spaced approximately 3" apart
- Fits Furniture Drawer 12" H (FD_12)
- For 24"-27" wide cabinets, two dividers supplied
- For 30"-36" wide cabinets, three dividers supplied
- Available factory installed only

PE
APC
APFC
FPEB
MI
CW
RD
CH
XS

Furniture End Panels



13", 19", 22", 25"

*Wood Veneer
48" High*

- WFEP1348**
- WFEP1948**
- WFEP2248**
- WFEP2548**

*Wood Veneer
53 1/2" High*

- WFEP1354**
- WFEP1954**
- WFEP2254**
- WFEP2554**

*Wood Veneer
84" High*

- WFEP1384**
- WFEP1984**
- WFEP2284**
- WFEP2584**

*Wood Veneer
96" High*

- WFEP1396**
- WFEP1996**
- WFEP2296**
- WFEP2596**

*Center Drilled Wood Veneer
48" High*

- WFEP1348 .CE**
- WFEP1948 .CE**
- WFEP2248 .CE**
- WFEP2548 .CE**

*Center Drilled Wood Veneer
53 1/2" High*

- WFEP1354 .CE**
- WFEP1954 .CE**
- WFEP2254 .CE**
- WFEP2554 .CE**

*Center Drilled Wood Veneer
84" High*

- WFEP1384 .CE**
- WFEP1984 .CE**
- WFEP2284 .CE**
- WFEP2584 .CE**

*Center Drilled Wood Veneer
96" High*

- WFEP1396 .CE**
- WFEP1996 .CE**
- WFEP2296 .CE**
- WFEP2596 .CE**

*Peninsula Wood Veneer
48" High*

- WPFEP1348**
- WPFEP1948**
- WPFEP2248**
- WPFEP2548**

*Peninsula Wood Veneer
53 1/2" High*

- WPFEP1354**
- WPFEP1954**
- WPFEP2254**
- WPFEP2554**

*Peninsula Wood Veneer
84" High*

- WPFEP1384**
- WPFEP1984**
- WPFEP2284**
- WPFEP2584**

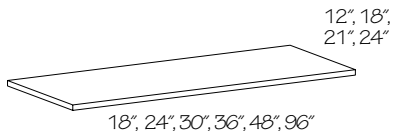
*Peninsula Wood Veneer
96" High*

- WPFEP1396**
- WPFEP1996**
- WPFEP2296**
- WPFEP2596**

- Matching 13/16" wood veneer both sides with shelf hole drilling on one side; both sides for center drilled shelves
- Quartersawn Oak door styles are matching 13/16" quartersawn wood veneer
- Plain sawn material supplied for Bristow Crafted door styles
- Wood Veneer Panels will have painted or stained hardwood supplied for Wood-Grain Foil door styles
- Edgebanded one long edge; two long edges on Peninsula shelves
- Satin chrome furniture shelf rests available; see Hardware Section
- ☆ APC panel only available in wood veneer
- ☆ APC panel is 11/16" thick
- Painted hardwood supplied for EverCore® and Thermofoil

PE
☆ APC
APFC
FPEB
MI
CW
RD
CH
XS

Furniture Shelves



Wood Veneer
18" Wide

WFS1218
WFS1818
WFS2118
WFS2418

Wood Veneer
24" Wide

WFS1224
WFS1824
WFS2124
WFS2424

Wood Veneer
30" Wide

WFS1230
WFS1830
WFS2130
WFS2430

Wood Veneer
36" Wide

WFS1236
WFS1836
WFS2136
WFS2436

Wood Veneer
48" Wide

WFS1248
WFS1848
WFS2148
WFS2448

Wood Veneer
96" Wide

WFS1296
WFS1896
WFS2196
WFS2496

Peninsula Wood Veneer
18" Wide

WPFS1218
WPFS1818
WPFS2118
WPFS2418

Peninsula Wood Veneer
24" Wide

WPFS1224
WPFS1824
WPFS2124
WPFS2424

Peninsula Wood Veneer
30" Wide

WPFS1230
WPFS1830
WPFS2130
WPFS2430

Peninsula Wood Veneer
36" Wide

WPFS1236
WPFS1836
WPFS2136
WPFS2436

Peninsula Wood Veneer
48" Wide

WPFS1248
WPFS1848
WPFS2148
WPFS2448

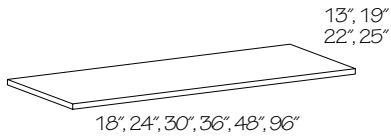
Peninsula Wood Veneer
96" Wide

WPFS1296
WPFS1896
WPFS2196
WPFS2496

- Matching 13/16" wood veneer
- Quartersawn Oak door styles are matching 13/16" quartersawn wood veneer
- Plain sawn material supplied for Bristow Crafted door styles
- Edgebanded one long and two short edges; all edges for Peninsula shelves
- ☆ APC panel only available in wood veneer
- ☆ APC panel is 11/16" thick
- Wood Veneer shelves will have painted or stained hardwood supplied for High-Gloss Foil and Wood-Grain Foil door styles
- Painted hardwood supplied for EverCore® and Thermofoil

PE
☆ APC
APFC
FPEB
MI
CW
RD
CH
XS

Furniture Panels



Wood Veneer
18" Wide

WFP1318
WFP1918
WFP2218
WFP2518

Wood Veneer
24" Wide

WFP1324
WFP1924
WFP2224
WFP2524

Wood Veneer
30" Wide

WFP1330
WFP1930
WFP2230
WFP2530

Wood Veneer
36" Wide

WFP1336
WFP1936
WFP2236
WFP2536

Wood Veneer
48" Wide

WFP1348
WFP1948
WFP2248
WFP2548

Wood Veneer
96" Wide

WFP1396
WFP1996
WFP2296
WFP2596

Peninsula Wood Veneer
18" Wide

WPFP1318
WPFP1918
WPFP2218
WPFP2518

Peninsula Wood Veneer
24" Wide

WPFP1324
WPFP1924
WPFP2224
WPFP2524

Peninsula Wood Veneer
30" Wide

WPFP1330
WPFP1930
WPFP2230
WPFP2530

Peninsula Wood Veneer
36" Wide

WPFP1336
WPFP1936
WPFP2236
WPFP2536

Peninsula Wood Veneer
48" Wide

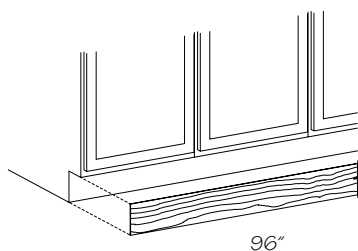
WPFP1348
WPFP1948
WPFP2248
WPFP2548

Peninsula Wood Veneer
96" Wide

WPFP1396
WPFP1996
WPFP2296
WPFP2596

- Matching 13/16" wood veneer
- Quartersawn Oak door styles are matching 13/16" quartersawn wood veneer
- Edgebanded one long and two short edges; all edges for Peninsula shelves
- ☆ APC panel only available in wood veneer
- ☆ APC panel is 11/16" thick
- Wood Veneer Panels will have painted or stained hardwood supplied for Wood-Grain Foil door styles
- Painted hardwood supplied for EverCore® and Thermofoil

PE
☆ APC
APFC
FPEB
MI
CW
RD
CH
XS



Toe Kick

Black

+ **BLTK8**

1/8" thick hardboard, 4 1/2" high

Wood grain Laminate

MTK8

1/8" thick hardboard, 4 1/2" high, laminated with matching printed wood grain laminate

Laminate

MTK8

1/8" thick hardboard, 4 1/2" high, laminated with matching printed wood grain laminate

Aluminum finish

MTK8 .A

1/16" thick flexible laminate, 4 1/2" high

Stainless finish

MTK8 .S

1/16" thick flexible laminate, 4 1/2" high

Wood Veneer

◆▲ **WMTK8**

3/16" thick wood veneer, 4 1/2" high, to match

+ Painted hardwood supplied for EverCore® and Thermofoil

◆ Quartersawn Oak door styles are quartersawn wood veneer

▲ Painted or Stained hardwood supplied for Wood-Grain Foil door styles

- Edges are unfinished
- Field installation only
- **Note:** Matching toe kick is **not** automatically supplied with cabinets. It **must** be ordered as a separate item

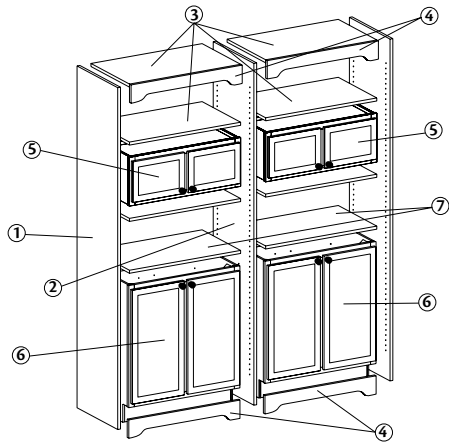


Apply Shoe Molding (SHO8) at the base of Matching Toe Kicks or Wood Matching Toe Kicks (MTK8 or WMTK8) for a nice, finished look.

PE
APC
APFC
FPEB
MI
CW
RD
CH
XS

Design Ideas

Creating signature furniture pieces requires careful consideration and planning. The following are some example configurations to help you in designing the ideal furniture piece for your customer.

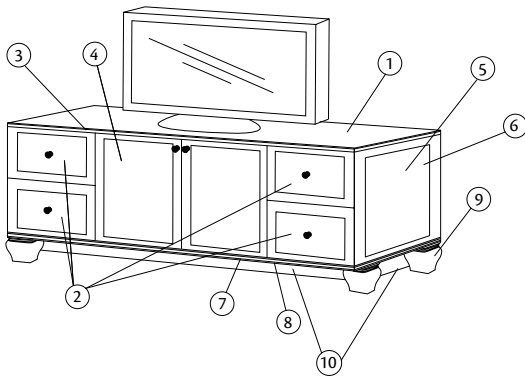


Furniture Component System

Create your own furniture component system using standard wall and base cabinets

1. Furniture end panel
2. Center furniture end panel
3. Furniture shelf
4. Furniture valance
5. Standard wall cabinet
6. Base cabinet with full-height doors
7. Furniture panel

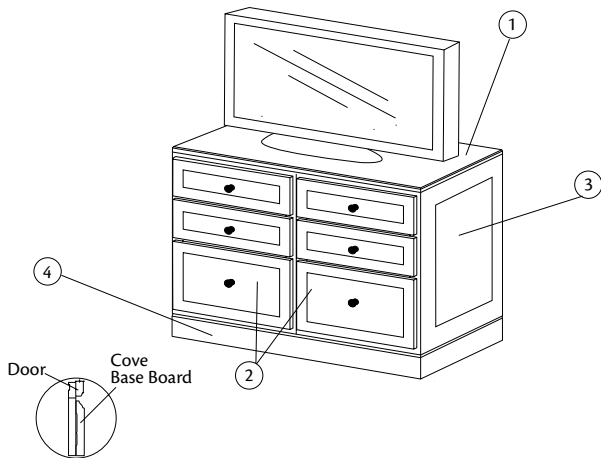
Flat Screen Design Idea 1



1. Wood Top
2. Furniture Drawer
3. Stack Molding
4. Wall Cabinet
5. Wood Skin (apply one to each side)
6. Replacement Door (apply one to each side)
7. Furniture Shelf
8. Single Bead Edge (applied to front and side edges)
9. Cove Legs
10. Matching Toe Kick*

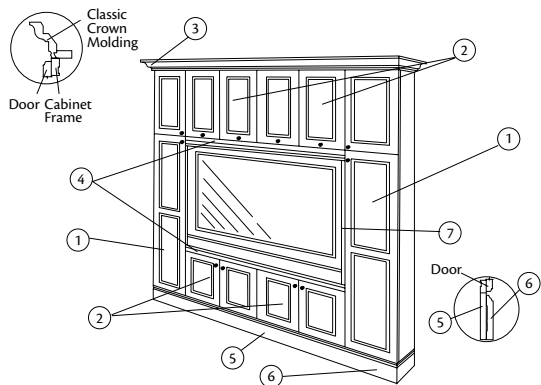
*Build a recessed toe kick platform for added support and apply Matching Toe Kick. Recommend to recess 9"

Flat Screen Design Idea 2



1. Wood Top
2. Desk Drawer Cabinet (Wide Rail Plain)
3. Replacement Door
4. Cove Base Board

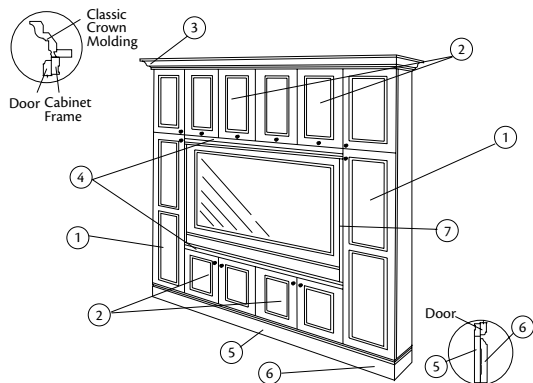
Flat Screen Design Idea 3



1. Utility cabinets (with Wide Rail Plain; Reduced Depth to 18")
2. Wall Cabinets (w/Butt doors; Increased Depth to 18")*
3. Classic Crown Molding
4. Furniture Shelves
5. Solid Stock
6. Cove Base Board
7. Skin or panel, applied to wall, behind TV. **Not** intended for supporting TV.

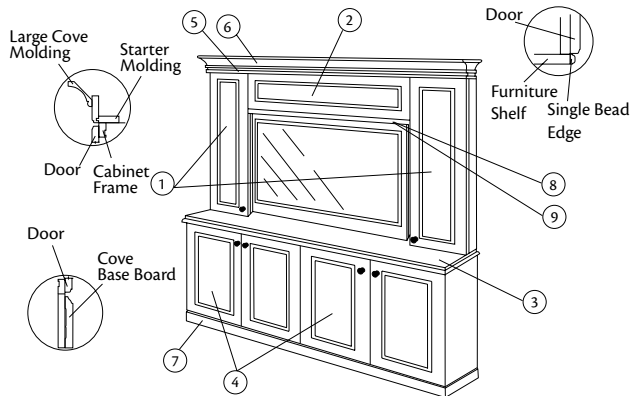
* Build a flush toe kick platform for added support

Flat Screen Design Idea 4



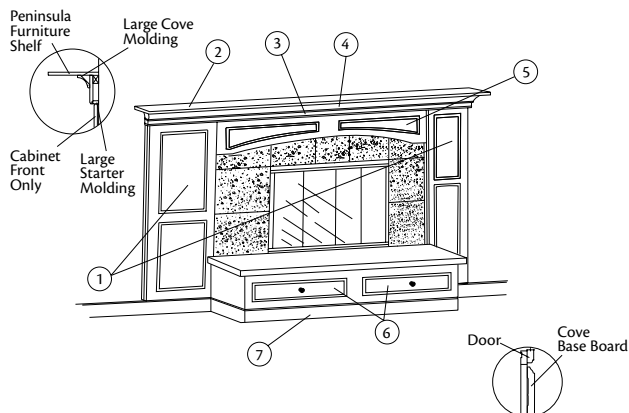
1. Utility Cabinets (with Wide Rail Plain; Reduced Depth to 18")
2. Vanity Cabinets (with Wide Rail Plain)
3. Classic Crown Molding
4. Furniture Shelves (pull forward 3/4")
5. Solid Stock
6. Cove Base Board
7. Furniture Panels

Flat Screen Design Idea 5



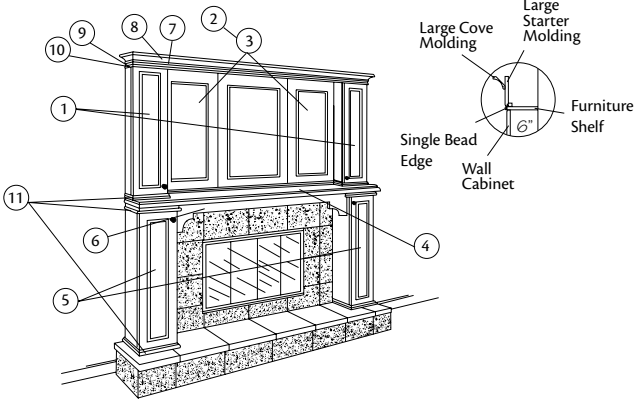
1. Wall Cabinets (Reduced Depth to fit TV Specs; with Furniture Plywood Ends)
2. Wall Cabinets-CFO (installed horizontally at 12" deep; secure door)
3. Wood Top (Finished Both Ends)
4. Vanity Cabinets (with Wide Rail Plain; Furniture Plywood Ends)
5. Starter Molding
6. Large Cove Molding
7. Cove Base Board
8. Furniture Shelf
9. Single Bead Edge (applied to front of shelf)

Hearth Design Idea 1



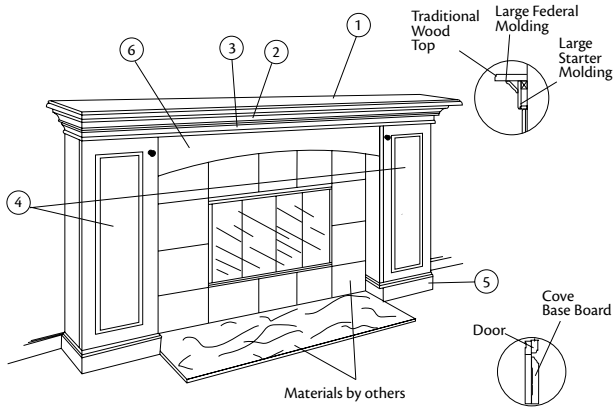
1. Utility Cabinet-CFO
 2. Peninsula Furniture Shelf
 3. Large Starter Molding
 4. Large Cove Molding
 5. Flat Panel Valance
 6. 12" high Furniture Drawer (with Furniture Plywood Ends)*
 7. Cove Base Board
- * Build a 4 1/2" high platform under Furniture Drawers for support

Hearth Design Idea 2



1. Wall Cabinets (Reduced Depth to 6" with Furniture Plywood Ends)
2. Wall Skin (cut skin to wall)
3. Replacement Door
4. Wood Top
5. Wall Cabinet (with Furniture Plywood Ends)
6. Crown Valance
7. Large Starter Molding
8. Large Cove Molding
9. Furniture Shelf
10. Single Bead Edge (applied to edge of shelf)
11. Ogee Molding (above and below cabinets)

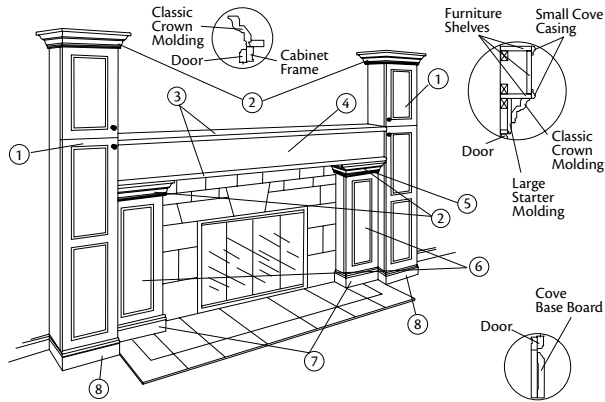
Hearth Design Idea 3



1. Traditional Wood Top
2. Large Federal Molding
3. Large Starter Molding
4. Wall Cabinets (Reduced Depth to 6; Furniture Plywood Ends)*
5. Cove Base Board
6. Cove Valance

* Build a flush toe kick platform under for support

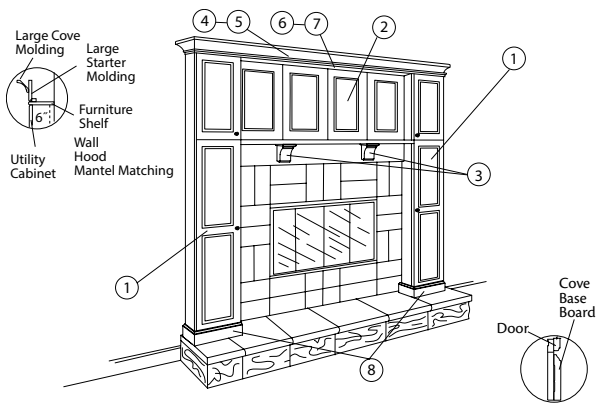
Hearth Design Idea 4



1. Utility Cabinet (Wide Rail Plain; Furniture Plywood Ends)
2. Classic Crown Molding
3. Small Cove Casing
4. Furniture Shelf
5. Large Starter Molding
6. Wall Cabinets (Reduced Depth to 6; Furniture Plywood Ends)*
7. Solid Stock
8. Cove Base Board

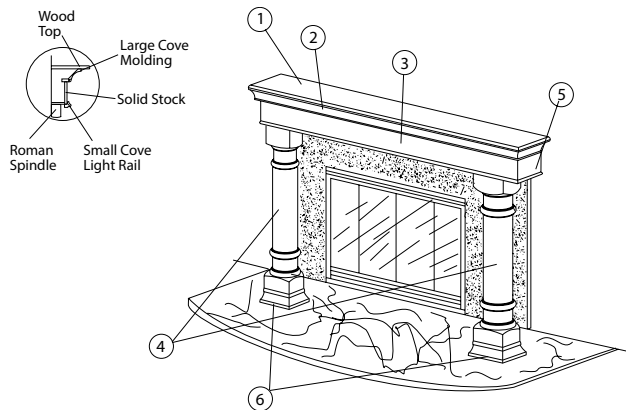
* Build a flush toe kick platform under for support

Hearth Design Idea 5



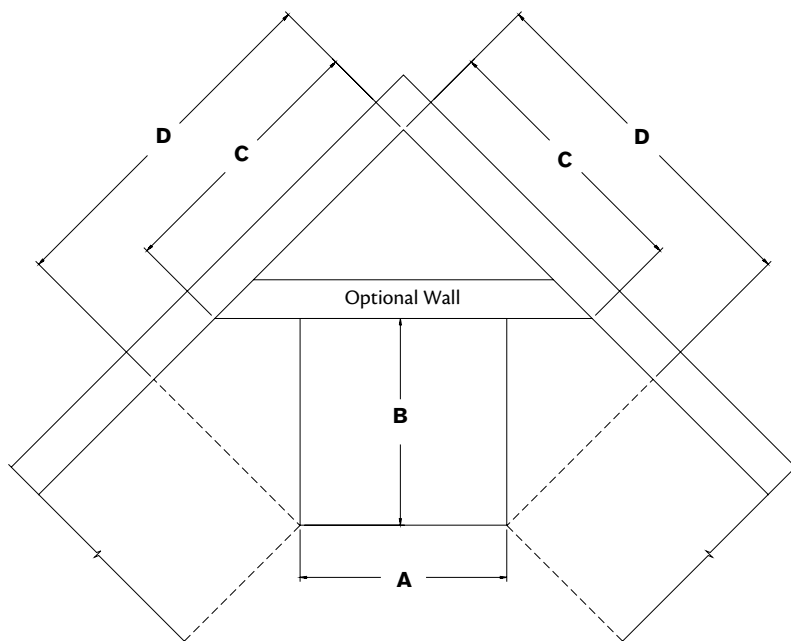
1. Utility Cabinet (Wide Rail Plain; Furniture Plywood Ends; Reduced Depth to 6")
2. Wall Hood Mantel Matching
3. Cove Corbel
4. Large Starter Molding
5. Large Cove Molding
6. Furniture Shelf
7. Single Bead Edge
8. Cove Base Board

Hearth Design Idea 6



1. Wood Top
2. Large Cove Molding
3. Solid Stock
4. Roman Spindles
5. Small Cove Light Rail
6. Large Cove Molding (inverted)

Diagonal Installation of Standard Furniture Cabinets



Cabinet Width "A"	Cabinet Width "B"	Wall Dimensions "C"	Wall Dimensions "D"	Cabinet Depth "B"	Wall Dimensions "C"	Wall Dimensions "D"
18"	12"	20 3/4"	25 3/4"	18"	23 1/4"	30 3/4"
24"	12"	24 3/4"	29 3/4"	18"	27 1/2"	35"
30"	12"	28 7/8"	33 3/4"	18"	31 3/4"	39 1/4"
36"	12"	33 1/8"	38 3/8"	18"	36"	43 1/2"

Notes

Universal Access Cabinetry

Construction Options and Modifications

- ❖ Included as standard
- Available with an upcharge
- ☆ Available with exceptions
- (Blank) **Not** available

- PE Plywood Ends
- APC All Plywood Construction
- APFC All Plywood Furniture Construction
- FPEB Furniture Plywood Ends
- MI Matching Interior
- OE Operational End
- RD Reduced Depth
- IF Inverted Frame
- TWR Top Wide Rail
- XS Extended Stile
- GD Glass Doors
- RTK Recessed Toe Kick

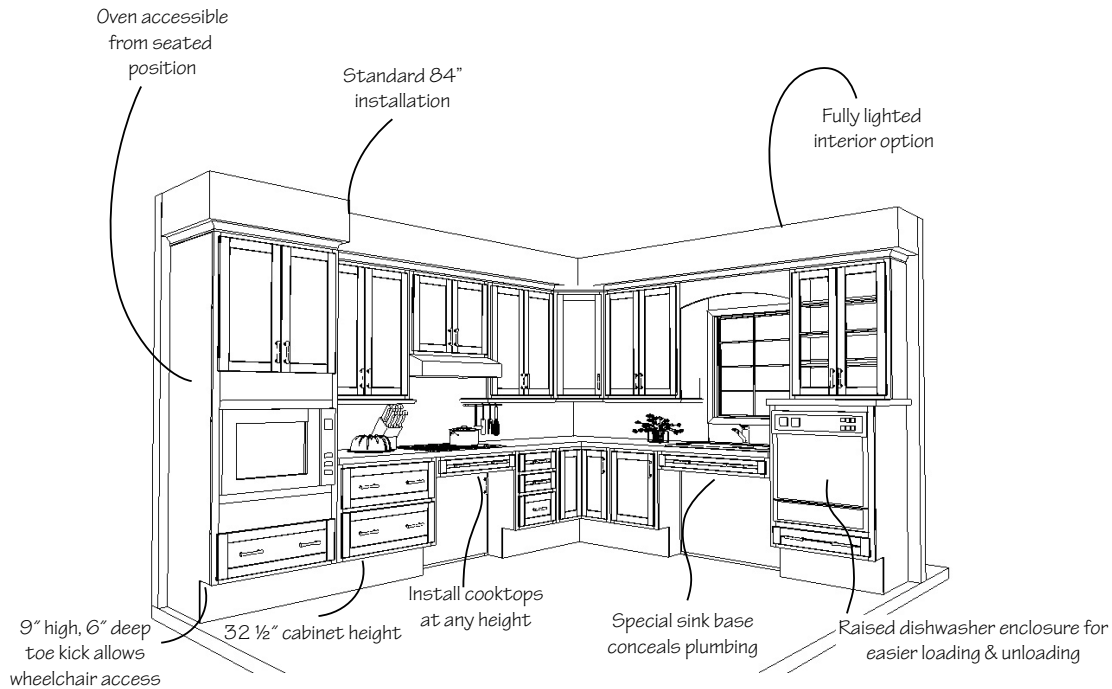
AU	18	12	84
code	width	depth	height

Material dimensions listed may vary slightly from actual dimensions of the product.

Specifications subject to change without notice.

Universal Access cabinetry is available in 1/2" overlay door styles only.

Universal Access Series



Recommendations for Maximum Accessibility

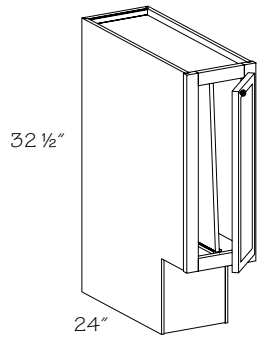
- Order 36" high wall cabinets installed at 82" or 84" height
- Order wall cabinets with increased depth to 15"
- Minimize use of base cabinets with doors, or select drawer cabinets

Door Style Availability

- Universal Access SKU's are only available in Fox Court Arch-Half, Fox Court Square-Half, Ganon Arch-Half, Ganon Square-Half, Harmond, Martel and Townley door styles

Design Recommendations

- Consider specifying Under Cabinet Panels for wall cabinets available for wheelchair users

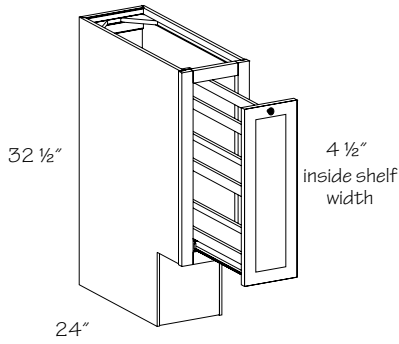


Universal Base Single Door w/Tray Divider

AB9 R or L

- Specify R or L for single door hinging
- Full-height door
- One full-height tray divider

- PE
- APC
- APFC
- FPFB
- MI
- OE
- RD
- IF
- TWR
- XS
- GD
- RTK

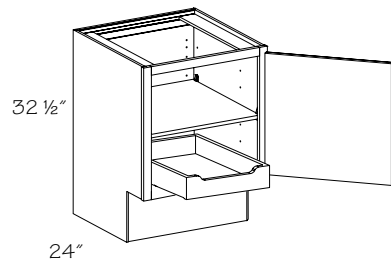


Universal Base Pantry Pull-out

ABPP9

- Unit slides on heavy duty full extension runners with integrated buffer
- Two fixed wood shelves attached to a full-height door
- Pull-out Heights:
Top shelf--8 1/4"
Bottom shelf--7 3/4"

- PE
- APC
- APFC
- FPFB
- MI
- OE
- RD
- IF
- TWR
- XS
- GD
- RTK



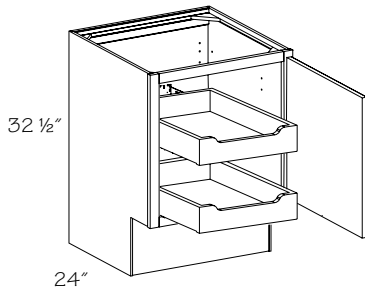
Universal Base Cabinet w/Deluxe Rollout Trays

ABFH12 R or L.DXFWT
ABFH15 R or L.DXFWT
ABFH18 R or L.DXFWT
ABFH21 R or L.DXFWT
ABFH24 BUTT.DXFWT
ABFH27 (Butt).DXFWT
ABFH30 BUTT.DXFWT
ABFH33 BUTT.DXFWT
ABFH36 BUTT.DXFWT

- Specify R or L for single door hinging
- Full-height door
- One adjustable shelf
- One adjustable, full-width Roll-out Tray (ROT)
- ☆ Minimum Reduced Depth (RD) is 18"

- PE
- APC
- APFC
- FPFB
- MI
- OE
- ☆ RD
- IF
- TWR
- XS
- GD
- RTK

Universal Base Cabinet w/2 Deluxe Rollout Trays

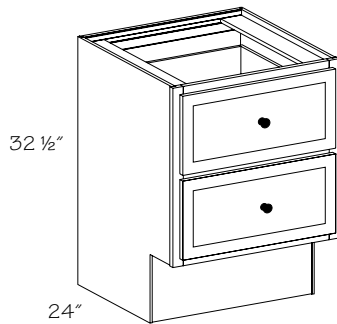


ABFH12 R or L.2DXFWT
ABFH15 R or L.2DXFWT
ABFH18 R or L.2DXFWT
ABFH21 R or L.2DXFWT
ABFH24 BUTT.2DXFWT
ABFH27 (Butt).2DXFWT
ABFH30 BUTT.2DXFWT
ABFH33 BUTT.2DXFWT
ABFH36 BUTT.2DXFWT

- Specify R or L for single door hinging
- Full-height door
- ☆ Minimum Reduced Depth (RD) is 18"

● PE
● APC
● APFC
● FPEB
● MI
● OE
☆ RD
IF
TWR
● XS
● GD
● RTK

Universal Base Two Drawer

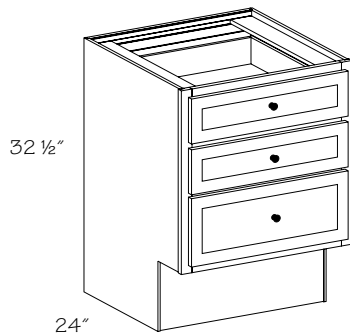


ABD12 .2
ABD15 .2
ABD18 .2
ABD21 .2
ABD24 .2
ABD27 .2
ABD30 .2
ABD36 .2

- Two deep drawers

● PE
● APC
● APFC
● FPEB
MI
● OE
● RD
IF
TWR
● XS
GD
● RTK

Universal Base Three Drawer

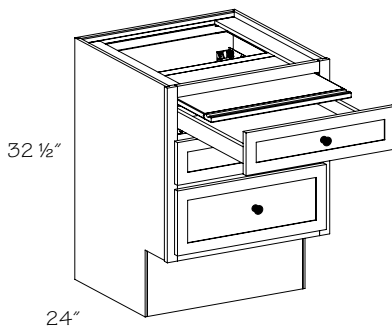


ABD12 .3
ABD15 .3
ABD18 .3
ABD21 .3
ABD24 .3

- Two standard drawers
- One deep drawer

● PE
● APC
● APFC
● FPEB
MI
● OE
● RD
IF
● TWR
● XS
GD
● RTK

Universal Base Three Drawer w/Cutting Center

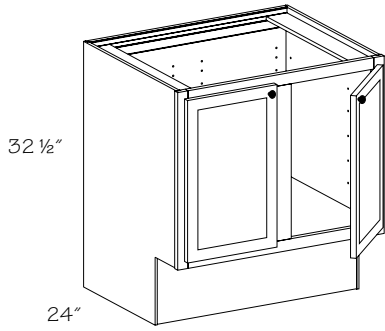


ABD15 .3CC
ABD18 .3CC
ABD21 .3CC
ABD24 .3CC

- One standard drawer
- One deep drawer
- 2 1/4" high drawer box with cutting board installed above
- Cutting board is removable

● PE
● APC
● APFC
● FPEB
MI
● OE
RD
IF
TWR
● XS
GD
● RTK

Universal Sink Base

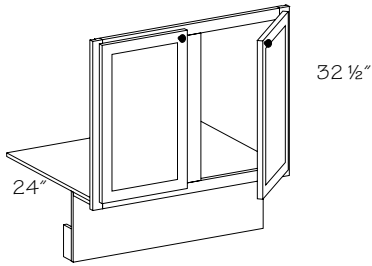


ASB30
ASB36

- Full-height door
- No shelf
- Designed for use as a range or sink base
- Includes a Touch-Up Kit (TUK)

- PE
- APC
- APFC
- FPFB
- MI
- OE
- RD
- IF
- TWR
- XS
- GD
- RTK

Universal Sink Front

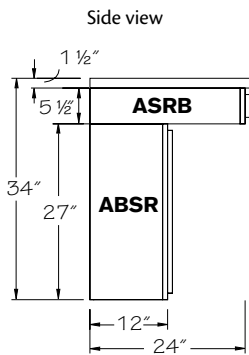


ASF30
ASF36

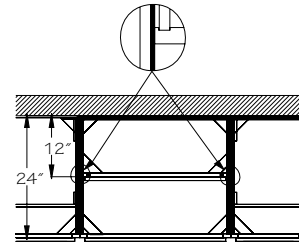
- Includes floor; shipped loose
- UTK **not** available
- Unit is **not** trimmable
- Includes a Touch-Up Kit (TUK)

- PE
- APC
- APFC
- FPFB
- MI
- OE
- RD
- IF
- TWR
- XS
- GD
- RTK

Universal Plumbing Skirt and Sink Collar Usage

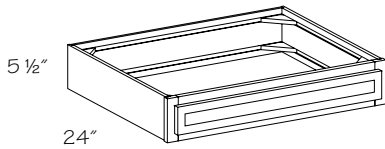


Top view



For proper fit, install WSK or VSK on base and tall cabinets next to ABSR

Universal Sink Collar

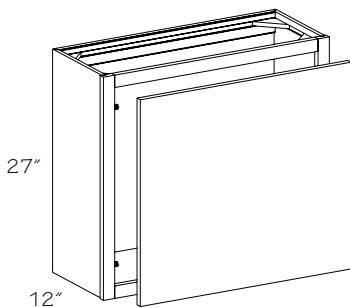


ASRB30
ASRB36

- Designed for use with Universal Access Plumbing Skirt (ABSR)
- For use with sink or cooktop
- Includes a Touch-Up Kit (TUK)

- PE
- APC
- APFC
- FPFB
- MI
- OE
- RD
- IF
- TWR
- XS
- GD
- RTK

Universal Plumbing Skirt

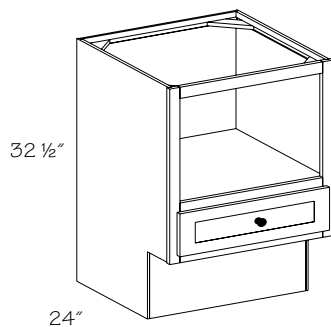


ABSR30
ABSR36

- Install with back to wall, creates a 12" deep knee space
- Removable front
- Water lines and drains including P-Trap **must not** be installed any more than 6" from wall
- Be sure to check your local Accessible Design codes for necessary clearances
- Cabinet Front Only (CFO) option is available for clearance flexibility
- Includes a Touch-Up Kit (TUK)
- Painted hardwood supplied for EverCore®
- **Note:** Adjacent cabinets **must** have skins or Furniture Plywood Ends (FPFB) applied

- PE
- APC
- APFC
- FPFB
- MI
- OE
- RD
- IF
- TWR
- XS
- GD
- RTK

Universal Base Microwave

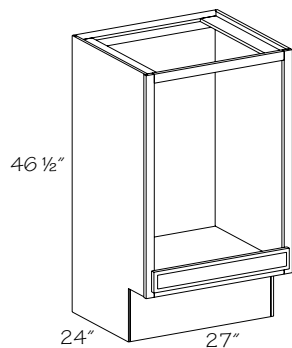


Opening Width
ABMW21 18"
ABMW24 21"
ABMW27 24"

- One standard drawer
- Opening height 14"
- Designed for countertop style microwaves

- PE
- APC
- APFC
- FPEB
- MI
- OE
- RD
- IF
- TWR
- XS
- GD
- RTK

Universal Base Dishwasher Cabinet

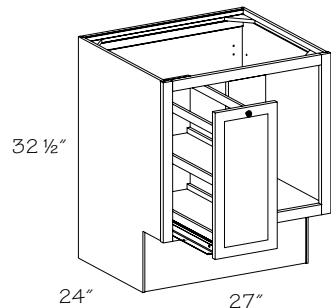


ABDW27

- Allows for 11" raised installation of standard dishwashers
- Finished top required
- Plywood floor
- False drawer front

- PE
- APC
- APFC
- FPEB
- MI
- OE
- RD
- IF
- TWR
- XS
- GD
- RTK

Universal Base Blind Corner w/Pull-out

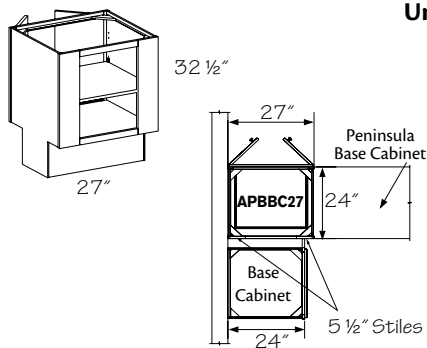


ABBC36 R or L.BPP

- Specify R or L; R or L indicates blind
- Requires a minimum of 39" wall space
- Blind panel (stile) is 6" wide
- **Must** be pulled min. 12"; max. 15"
- Pull-out Heights:
 Top shelf--8 1/4"
 Bottom shelf--7 3/4"
- Right blind shown
- Filler included
- Unit slides on heavy duty full extension runners with integrated buffer
- **Note:** If using decorative hardware on adjacent cabinets, allow at least 40" wall space to allow for clearance of pull-out unit

- PE
- APC
- APFC
- FPEB
- MI
- OE
- RD
- IF
- TWR
- XS
- GD
- RTK

Universal Peninsula Base Blind Corner

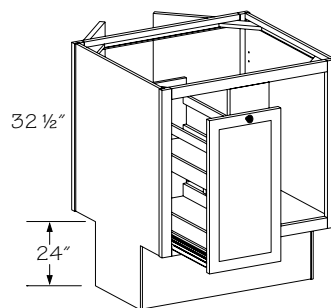


APBBC27

- One adjustable shelf
- For use as a starter cabinet for peninsula
- Two 5 1/2" stiles on blind side allow cabinet to be used as right or left
- Reversible

- PE
- APC
- APFC
- FPEB
- MI
- OE
- RD
- IF
- TWR
- XS
- GD
- RTK

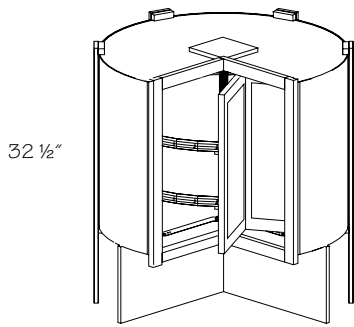
Universal Peninsula Base Blind Corner w/Pull-Out



APBBC36 R or L.BPP

- Specify R or L; R or L indicates blind
- Requires a minimum of 39" wall space
- Blind panel (stile) is 6" wide
- **Must** be pulled min. 12"; max. 15"
- Pull-out Heights:
 Top shelf--8 1/4"
 Bottom shelf--7 3/4"
- Right blind shown
- Filler included
- Unit slides on heavy duty full extension runners with integrated buffer
- **Note:** If using decorative hardware on adjacent cabinets, allow at least 40" wall space to allow for clearance of pull-out unit

- PE
- APC
- APFC
- FPEB
- MI
- OE
- RD
- IF
- TWR
- XS
- GD
- RTK

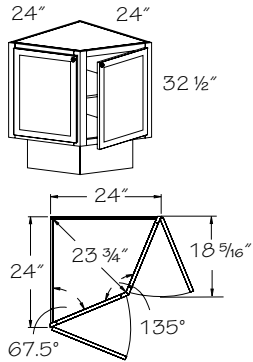


Universal Lazy Susan

ALS36

- Two pie-cut, 28" diameter, vinyl interior rotating shelves
- Requires 36" of wall space
- Doors are attached to and rotate with the Lazy Susan
- Contrasting Back Options (CBEB, CPLB, CVGR) **not** available

PE
● APC
APFC
FPEB
MI
OE
RD
IF
TWR
● XS
GD
RTK

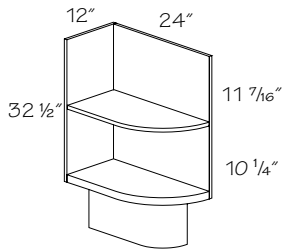


Universal Base End Corner

ABEC24

- One fixed shelf
- Can be installed on either right or left end
- Contrasting Back Options (CBEB, CPLB, CVGR) **not** available

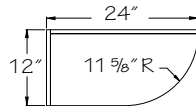
● PE
● APC
APFC
FPEB
● MI
OE
RD
IF
TWR
XS
● GD
RTK



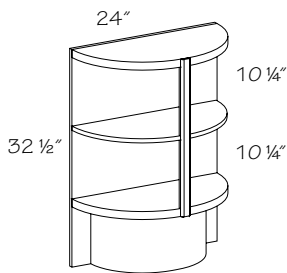
Universal Solid Wood Base End Open Shelf

ASBEOS1224 R or L

- Specify R or L
- One fixed shelf
- 5/8" wood veneer on sides and back
- 1 3/16" thick bottom shelf
- 11 5/8" radius
- Solid wood construction on shelves only
- Painted hardwood supplied for EverCore®
- Toe kick is finished
- Left shown
- For Curved Moldings, see Molding section in Decorative Enhancements
- ☆ Shelves remain solid when APC option is chosen; sides and back will be 11/16" matching wood veneer plywood
- ☆ Reduced Depth (RD) available in 3" increments to a minimum of 12"



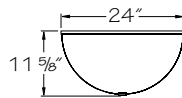
PE
☆ APC
APFC
FPEB
◇ MI
OE
☆ RD
IF
TWR
XS
GD
RTK



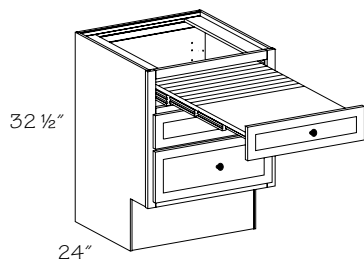
Universal Peninsula Solid Wood Base End Open Shelf

ASPBEOS2412

- Two fixed shelves
- 5/8" wood veneer on back panel
- 1 3/16" thick top and bottom shelves
- 11 5/8" radius
- Solid wood construction on shelves only
- Painted hardwood supplied for EverCore®
- Toe kick is finished
- Back may be notched in field for continuous toe kick applications
- For Curved Moldings, see Molding section in Decorative Enhancements
- ☆ Shelves remain solid when APC option is chosen; back will be 11/16" matching wood veneer plywood



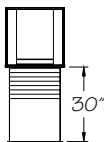
PE
☆ APC
APFC
FPEB
◇ MI
OE
RD
IF
TWR
XS
GD
RTK



Universal Base Pull-out Table

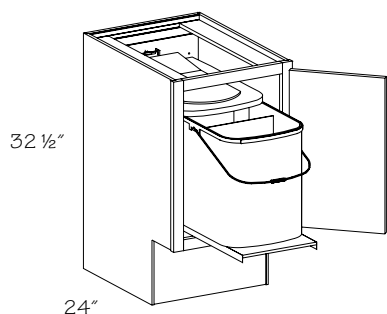
ABDT24

- One standard drawer
- One deep drawer
- Top constructed of laminated Maple melamine
- Load capacity 160 lbs.
- **Not** for use as a freestanding cabinet. **Must** be secured to floor or wall
- **Not** designed to be used as a cutting board



● PE
● APC
● APFC
● FPEB
MI
OE
RD
IF
TWR
● XS
GD
● RTK

Universal Base Wastebasket

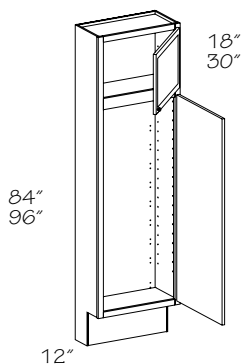


ABWB18 R or L
ABWB21 R or L

- Specify R or L for single door hinging
- 30 qt. capacity
- Basket slides on full extension glides
- Attached handle for easy lifting
- Divided for recycling
- Basket(s) are easily removable for emptying or cleaning

- PE
- APC
- APFC
- FPEB
- MI
- OE
- RD
- IF
- TWR
- XS
- GD
- RTK

Universal Utility Cabinets 12" Deep



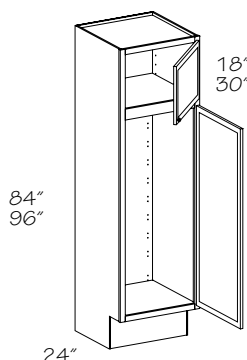
84" High
AU181284 R or L
AU241284 R or L

- 96" High
* **AU181296 R or L**
* **AU241296 R or L**
* Includes two adjustable shelves in upper section

- Specify R or L for single door hinging
- Toe kick is shipped separately on 96" high cabinets
- ☆ Operational End (OE) is **not** available with Reduced Depth (RD) option
- **Note:** Shelf Kit (SK) for lower section **must** be ordered separately; see Shelving section

- PE
- APC
- APFC
- FPEB
- MI
- ☆ OE
- RD
- IF
- TWR
- XS
- GD
- RTK

Universal Utility Cabinets 24" Deep



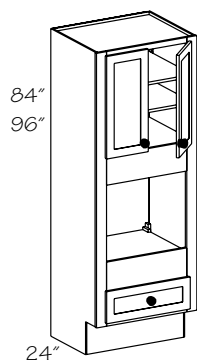
84" High
AU182484 R or L
AU242484 R or L

- 96" High
* **AU182496 R or L**
* **AU242496 R or L**
* Includes two adjustable shelves in upper section

- Specify R or L for single door hinging
- Toe kick is shipped separately on 96" high cabinets
- ☆ Operational End (OE) is **not** available with Reduced Depth (RD) option
- **Note:** Shelf Kit (SK) for lower section **must** be ordered separately; see Shelving section

- PE
- APC
- APFC
- FPEB
- MI
- ☆ OE
- RD
- IF
- TWR
- XS
- GD
- RTK

Universal Single Oven Cabinet w/3" Stiles



84" High
* **AOC302484 S.BD**
96" High
◆ **AOC302496 S.BD**

- * Includes two adjustable shelves in upper section
- ◆ Includes three adjustable shelves in upper section

- Toe kick is shipped separately on 96" high cabinets
- Oven Trim Kit (overlay panel) available for a full overlay look; see Tall Accessories section
- Doors will **not** align when stacking a Wall Refrigerator cabinet
- **Note:** Maximum recommended oven installed height is 48" for a seated person

- PE
- APC
- APFC
- FPEB
- MI
- OE
- RD
- IF
- TWR
- XS
- GD
- RTK

Cutout dimensions

Cabinet Width	Min. Width	Max. Width	Min. Height	*Max. Height
30"	24"	28"	21"	34"

* Maximum cutout opening is dependent on appliance size and use of molding or trim kit. Distance between top doors and bottom drawer is 36 1/4"

Universal Access Accessories

Construction Options and Modifications

PE	Plywood Ends
APC	All Plywood Construction
APFC	All Plywood Furniture Construction
FPEB	Furniture Plywood Ends
MI	Matching Interior
XS	Extended Stile

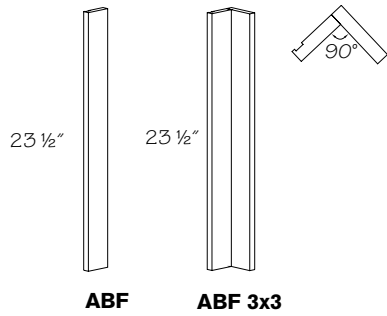
AWSK	24	32
code	width	height

- ❖ Included as standard
- Available with an upcharge
- ☆ Available with exceptions
- (Blank) **Not** available

Material dimensions listed may vary slightly from actual dimensions of the product.

Specifications subject to change without notice.

Universal Base Filler

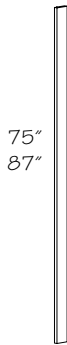


- ABF3**
- ABF6**
- ABF3X3**

- 3/4" thick solid wood
- Finished one side only
- Painted hardwood supplied for EverCore®
- No toe kick

PE
APC
APFC
FPEB
MI
XS

Universal Tall Filler

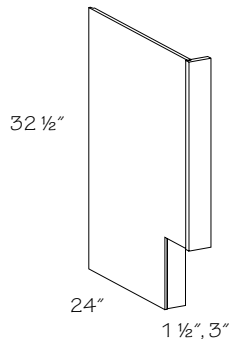


- 84" High
- ATF3.84**
- ATF6.84**
- 96" High
- ATF3.96**
- ATF6.96**

- 3/4" thick solid wood
- Finished one side only
- Painted hardwood supplied for EverCore®
- No toe kick

PE
APC
APFC
FPEB
MI
XS

Universal Base End Panel w/Stile

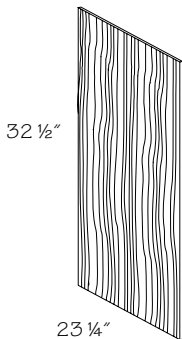


- ABEP 1 1/2 R or L**
- ABEP3 R or L**

- Specify R or L
- Left shown
- Exterior finished to match, interior is Natural Birch printed wood grain laminate
- Painted hardwood supplied for EverCore®

● PE
● APC
● APFC
● FPEB
● MI
XS

Universal Base Skin

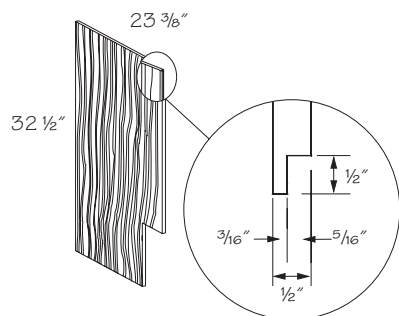


- Wood Veneer
- AWSK2432**

- 3/16" thick
- Painted hardwood supplied for EverCore®

PE
APC
APFC
FPEB
MI
XS

Universal Lazy Susan End Panel

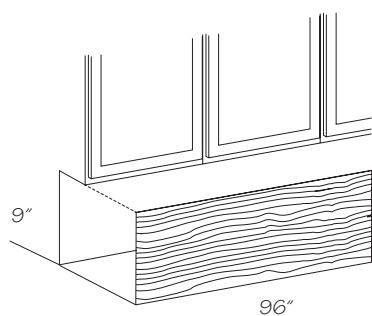


ALSEP R or L

- Specify R or L
- Requires 3/16" of wall space
- Notched to fit behind stile of Lazy Susan front frame
- Painted hardwood supplied for EverCore®
- Exterior finished to match, interior is Natural Birch vinyl

●	PE
●	APC
	APFC
	FPEB
	MI
	XS

Universal Matching Toe Kick



AWMTK8

- 3/16" thick wood veneer, 9" high; stained to match
- Edges are unfinished
- Field installation only
- Painted hardwood supplied for EverCore®
- **Note:** Matching toe kick is **not** automatically supplied with cabinets. It **must** be ordered as a separate item

	PE
	APC
	APFC
	FPEB
	MI
	XS



Apply Shoe Molding (SHO8) at the base of Matching Toe Kicks or Wood Matching Toe Kicks (MTK8 or WMTK8) for a nice, finished look.

Notes

Custom Appliance Panels

CAPDW

code

This program enables you to order custom-designed appliance panels for kitchens or other living spaces.

Material dimensions listed may vary slightly from actual dimensions of the product.

Specifications subject to change without notice.

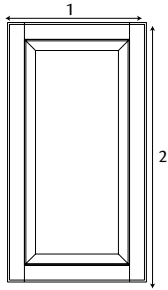
Custom Appliance Panel—General Guidelines

- An appliance make and model number can be provided and a panel solution will be recommended based on that information. A sample drawing will be sent back for approval
- Specific panel dimensions can be recorded and the panels will be finished to your specifications
- Check appliance manufacturer's specifications for any additional material, such as shims, spacers, etc., that may be needed before placing any order. Spacer panels are **not** supplied
- Due to potential extended lead times, CAP orders may **not** ship with associated kitchen orders. We recommend shipping CAP orders to your store to avoid additional home delivery fees
- If a veneer center panel door style is selected, appliance panel doors will have a solid wood center panel machined to resemble the veneer center panel
- Grain orientation will match that of the selected door style
- Slab door style orders are limited to the Universal Frame Only option within this program
- Only center rail modifications are available when ordering the CAPDR.W.CR and CAPDR.B.CR (location and height). Outside stiles and rails unable to be modified
- Stiles and rails will be the same size and profile as the selected door style (with the exception of Frame Only doors)
- Refer to appliance manufacturer's specification to ensure ice/water dispenser trim will accommodate a 3/4" to 1" thick panel
- Applied molding is unavailable on (CAPFO & UCAPFO) on applicable door styles
- (CAPFO) are unavailable in mitered door styles; using Universal Frame Only panels are recommended
- (UCAPFO) will have a 3/32" radius on both inside and outside edges of stiles and rails
- Ice/water dispenser cutouts will have 3/16" radius corners
- Onlay panels will react to climate conditions causing varying degrees of joint separation. This is a natural reaction in wood product and therefore is **not** covered under warranty
- Unavailable in EverCore®, High-Gloss Foil, Thermofoil, or Wood-Grain Foil door styles
- Door sizes are limited to 1/16" increments

Custom Appliance Panel—Pricing Method

- General Pricing Rules:
- Using the outer most dimension of each panel, the width and height should be converted into a decimal form. Examples: 21 9/16" = 21.5625; 58 7/16" = 58.4375, etc.
- Calculated dimensions will be rounded using the standard rounding method (down from 4 and up from 5) to the nearest 10,000th place. Example: 8.7504069 will round to 8.7504
- List prices will be rounded up to the nearest dollar from .01 cents. Example: \$179.01 will become \$180
- Please use the following instructions to determine the LIST PRICE of each panel, remembering to use the rounding method mentioned above
- Start by taking the panel width and height, in decimal form, and multiply the two numbers together giving you the total square inches. Example: (21 9/16") 21.5625 x (58 3/8") 58.4375 = 1260.058594 sq. in., which rounds to 1260.0586 sq. in.
- Next, you need to convert sq. in. into sq. ft. by taking the sq. in. figure and dividing that number by 144. Example: 1260.0586 ÷ 144 = 8.7504069 sq. ft., which rounds to 8.7504 sq. ft.
- Next, multiply the total sq. ft. by the appropriate sq. ft. list price to get the total list price. Example 8.7504 x \$141 = 1233.81, which rounds to \$1234 list price
- Factory cutouts are an additional charge; add to the calculated price
- **Note:** Prices shown above are merely examples and are **not** actual list prices

Custom Appliance Panel–Door Onlay Panel



CAPDR.B
CAPDR.W

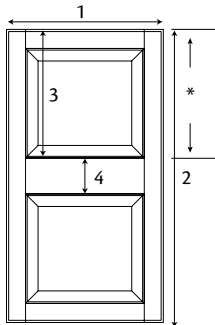
Onlay Panel	
Minimum Width	7" +
Maximum Width	36"
Minimum Height	10"
Maximum Height	80"

+Decorative Panel Width

- Doors with 2 5/8" stiles will be made with 2" stiles if the door width is less than 7 3/16"
- Doors with 2 3/4" stiles will be made with 2" stiles if the door width is less than 7 7/16"
- Doors with 3" stiles will be made with 2" stiles if the door width is less than 7 15/16"
- Roman Arched doors will be supplied as square if the door width is less than 7 15/16"

- No center rail
- When an arched door style is selected, select Arched (.W) or Square (.B) to determine the door and onlay panel's top profile
- When a square door style is selected, the square profile will be supplied for all onlay panels as standard. It is recommended to use a square profile when ordering an onlay panel for a dishwasher or trash compactor application
- Unavailable in EverCore®, High-Gloss Foil, Thermofoil, or Wood-Grain Foil door styles
- 7" wide door panels will be supplied as a slab design with profiled edges if frame stiles are wider than 3"
- Stiles and rails will be the same size and profile as the selected door style
- Cutouts are unavailable
- Backs are finished
- Doors are automatically drilled for Permaset Bumpers
- Doors ordered with the No Hinge (NH) option will receive a single cup hinge bore for internal tracking purposes
- **Note:** Doors with 3 1/2" stiles will be made with 3" stiles if the door is 7 15/16" to 9 1/16" wide; doors less than 7 15/16" wide will be made with 2" stiles

Custom Appliance Panel–Door Onlay Panel with Custom Center Rail



CAPDR.B.CR
CAPDR.W.CR

Center Rail Height	
Minimum Width	1 1/2"
Maximum Width	19"

Distance from the top of the rail to the bottom of the center rail

*Distance between the top of the top rail and the top of the center rail

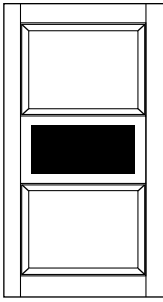
Onlay Panel	
Minimum Width	7" +
Maximum Width	36"
Minimum Height	24"
Maximum Height	80"

+Decorative Panel Width

- Doors with 2 5/8" stiles will be made with 2" stiles if the door width is less than 7 3/16"
- Doors with 2 3/4" stiles will be made with 2" stiles if the door width is less than 7 7/16"
- Doors with 3" stiles will be made with 2" stiles if the door width is less than 7 15/16"
- Roman Arched doors will be supplied as square if the door width is less than 7 15/16"

- The center rail position can be customized by providing the distance between the top of the top rail and the top of the center rail
- Due to varying dimensions and designs of raised center panels, recessed center panels may be supplied when the center panel width or height is less than 3 1/4"
- Unavailable in EverCore®, High-Gloss Foil, Thermofoil, or Wood-Grain Foil door styles
- Unavailable in mitered door styles
- Optional center rail cutout is available
- Stiles and rails will be the same size and profile as the selected door style
- 7" wide door panels will be supplied as a slab design with profiled edges if frame stiles are wider than 3"
- Backs are finished
- Doors are automatically drilled for Permaset Bumpers
- Doors ordered with the No Hinge (NH) option will receive a single cup hinge bore for internal tracking purposes
- **Note:** If center rail modifications are **not** necessary, please use Decorative Appliance Panels
- **Note:** Doors with 3 1/2" stiles will be made with 3" stiles if the door is 7 15/16" to 9 1/16" wide; doors less than 7 15/16" wide will be made with 2" stiles

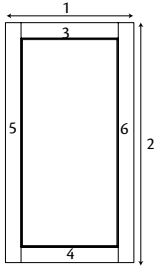
Center Rail Cutout



CUTOUT

- Specify cutout width and height
- The cutout position can be customized based on the distance specified from the left outside edge and from the top outside edge of the door onlay panel
- Refer to appliance manufacturer's specification to ensure ice/water dispenser trim will accommodate a 3/4" to 1" thick panel
- Cutouts will have 3/16" radius corners
- (CUTOUT) is only available on the Custom Appliance Panel–Door Onlay Panel with Custom Center Rail
- Unavailable in EverCore®, High-Gloss Foil or Wood-Grain Foil door styles

Custom Appliance Panel-Frame Only



CAPFO

Frame	
Minimum Width	7" ⁺
Maximum Width	30"
Minimum Height	10"
Maximum Height	80"

+Decorative Panel Width

- Panels with 2 5/8" stiles will be made with 2" stiles if the door width is less than 7 3/16"
- Panels with 2 3/4" stiles will be made with 2" stiles if the door width is less than 7 7/16"
- Panels with 3" stiles will be made with 2" stiles if the door width is less than 7 15/16"

Top & Bottom Rail Height	
Minimum Width	1 1/2"
Maximum Width	12"

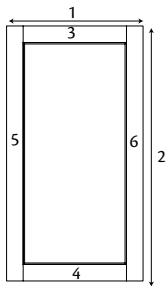
Right & Left Stile Width	
Minimum Width	1 1/2"
Maximum Width	5"

- Available in the following door styles only if the stiles and rails are the same dimension: Mandolay Cherry, and Mandolay Maple. Otherwise use Universal Frame Only panels
- Frame Only panels are unavailable with applied molding on applicable door styles
- 7" wide door panels will be supplied as a slab design with profiled edges if frame stiles are wider than 3"
- Outside edge profiles on stiles and rails will match the selected door style for Frame Only panels, and the inside edge profiles will have a 3/32" radius
- Stile and rail sizes can be modified
- Unavailable in mitered or slab door styles
- Unavailable in EverCore®, High-Gloss Foil, Thermofoil or Wood-Grain Foil or Crafted veneer door styles
- Backs are finished
- Panels are automatically drilled for Permaset Bumpers
- Panels will receive a single cup hinge bore for internal tracking purposes



Use with wine chillers that have framed glass doors

Universal Custom Appliance Panel–Frame Only



UCAPFO

Frame	
Minimum Width	7" ⁺
Maximum Width	30"
Minimum Height	10"
Maximum Height	80"

+Decorative Panel Width

- Panels with 2 5/8" stiles will be made with 2" stiles if the door width is less than 7 3/16"
- Panels with 2 3/4" stiles will be made with 2" stiles if the door width is less than 7 7/16"
- Panels with 3" stiles will be made with 2" stiles if the door width is less than 7 15/16"

Top & Bottom Rail Height	
Minimum Width	1 1/2"
Maximum Width	12"

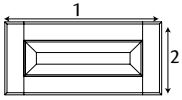
Right & Left Stile Width	
Minimum Width	1 1/2"
Maximum Width	5"

- Universal Frame Only panels have a 3/32" radius on both inside and outside edges of stiles and rails
- Frame Only panels are unavailable with applied molding on applicable door styles
- 7" wide door panels will be supplied as a slab design with profiled edges if frame stiles are wider than 3"
- Stile and rail sizes can be modified
- Backs are finished
- Unavailable in EverCore®, High-Gloss Foil, Thermofoil or Wood-Grain Foil or Crafted veneer door styles
- Veneer Slab door styles will default to solid wood
- Panels are automatically drilled for Permaset Bumpers
- Panels will receive a single cup hinge bore for internal tracking purposes



Use with wine chillers that have framed glass doors

Custom Appliance Panel–Drawer Onlay Panel



CAPDW

Onlay Panel	
Minimum Width	6"+
Maximum Width	48"* , 60"**
Minimum Height	2 1/4"
Maximum Height	30" , 20"

+Decorative Panel Width

- Drawer fronts with 2 5/8" stiles will be made with 2" stiles if the front width is less than 7 3/16"
- Drawer fronts with 2 3/4" stiles will be made with 2" stiles if the front width is less than 7 7/16"
- Drawer fronts with 3" stiles will be made with 2" stiles if the front width is less than 7 15/16"
- The minimum width a drawer front can be made as a 5 piece, with 2 3/16" or 2 1/4" stiles, is 7" wide

*Max width is 48" when ordered taller than 20" (Max height is 30")

**Max width is 60" when ordered 20" and shorter

- Five-piece grill panels/drawer heads ordered in heights less than 6 1/8" may be supplied as a solid slab onlay panel. Some five-piece drawer fronts may have a recessed center panel
- Drawer front configuration will follow the selected door style
- Veneer raised panel door styles will be supplied with a solid wood center panel machined to resemble the veneer center panel
- Unavailable in EverCore®, High-Gloss Foil, Thermofoil, or Wood-Grain Foil door styles
- "Width" will be referred to as "Length" on your faxed acknowledgments for CAPDW only
- If unit is installed at an angle, fillers should be used to avoid interference with adjacent cabinet
- Stiles and rails will be the same size and profile as the selected door style
- DRPD and CLDF options are available for applicable door styles only
- Backs are finished

Custom Filler Overlay

CFOL

- Slab design only



Matching Outside Profile

Min. Width	Max. Width	Min. Height	Max. Height
2 5/8"	8"	6"	96"

Decorative Appliance Panels

APDW
code

Material dimensions listed may vary slightly from actual dimensions of the product.

Specifications subject to change without notice.

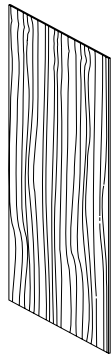
Decorative Appliance Panel—General Guidelines

- Specific panel dimensions can be recorded and the panels will be finished to your specifications
- Check appliance manufacturer's specifications for any additional material, such as shims, spacers, etc., that may be needed before placing any order. Spacer panels are **not** supplied
- If a veneer center panel door style is selected, appliance panel doors will have a solid wood center panel machined to resemble the veneer center panel
- Grain orientation will match that of the selected door style
- Stiles and rails will be the same size and profile as the selected door style
- Onlay panels will react to climate conditions causing varying degrees of joint separation. This is a natural reaction in wood product and therefore is **not** covered under warranty
- Door sizes are limited to 1/16" increments

Decorative Appliance Panel—Pricing Method

- General Pricing Rules:
- Using the outer most dimension of each panel, the width and height should be converted into a decimal form. Examples: 21 9/16" = 21.5625; 58 7/16" = 58.4375, etc.
- Calculated dimensions will be rounded using the standard rounding method (down from 4 and up from 5) to the nearest 10,000th place. Example: 8.7504069 will round to 8.7504
- List prices will be rounded up to the nearest dollar from .01 cents. Example: \$179.01 will become \$180
- Please use the following instructions to determine the LIST PRICE of each panel, remembering to use the rounding method mentioned above
- Start by taking the panel width and height, in decimal form, and multiply the two numbers together giving you the total square inches. Example: (21 9/16") 21.5625 x (58 3/8") 58.4375 = 1260.058594 sq. in., which rounds to 1260.0586 sq. in.
- Next, you need to convert sq. in. into sq. ft. by taking the sq. in. figure and dividing that number by 144. Example: 1260.0586 ÷ 144 = 8.7504069 sq. ft., which rounds to 8.7504 sq. ft.
- Next, multiply the total sq. ft. by the appropriate sq. ft. list price to get the total list price. Example 8.7504 x \$128 = 1120.05, which rounds to \$1121 list price
- **Note:** Prices shown above are merely examples and are **not** actual list prices

Decorative Panel-Back Panel

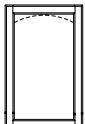


APWSK

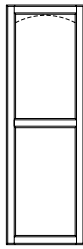
- Approximately 3/16" thick
- Back Panels will match the wood species and the color of the selected door style and finish and can be used with or without onlay panels to decorate any appliance
- Plain sawn material supplied for Crafted door styles
- Wood veneer engineered wood
- Finished one side only
- Quartersawn door styles are quartersawn wood veneer
- Painted or Stained hardwood supplied for Wood-Grain Foil door styles
- Edges are unfinished with no edgebanding
- Painted hardwood supplied for EverCore® and Thermofoil door styles. A matching matte panel will be supplied when ordered in High-Gloss Foil door styles

Back Panel	
Minimum Width	4 1/2"
Maximum Width	48"
Minimum Height	3/4"
Maximum Height	96"

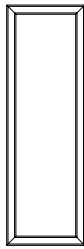
Decorative Panel-Door Onlay Panel and Hinge Doors



10"-55"
High



54 15/16" - 80"
High



Mitered

APDRL .B or W APDRR .B or W APDRNH .B or W

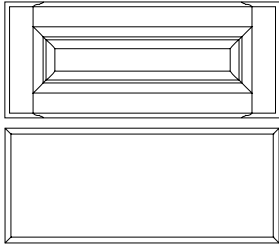
- Doors and onlay panels ordered 55" – 80" will have a double center panel (a horizontal center rail will equally divide the onlay panel)
- Mitered door styles will have a single center panel, regardless of height
- When an arched door style is selected, select Arched (.W) or Square (.B) to determine the door and onlay panel's top profile
- When a square door style is selected, the square profile will be supplied for all onlay panels as standard. It is recommended to use a square profile when ordering an onlay panel for a dishwasher or trash compactor application
- Veneer raised panel door styles will be supplied with a solid wood center panel machined to resemble the veneer center panel
- Due to varying dimensions and designs of raised center panels, recessed center panels may be supplied when the center panel width or height is less than 3 1/4"
- Hinging for doors:
 - Doors 10" to 36" get two hinge holes
 - Doors 36 1/6" to 48" get three hinge holes
 - Doors 48 1/16" to 80" get four hinge holes
- Backs are finished
- Doors are automatically drilled for Permaset Bumpers
- Doors ordered with the No Hinge (NH) option will receive a single cup hinge bore for internal tracking purposes
- **Note:** Check appliance manufacturer's specs for any additional material (shims, spacers, etc.) that may be needed before placing any order. Appliance model numbers are **not** sufficient, use numeric dimensions when ordering
- **Note:** Doors with 3 1/2" stiles will be made with 3" stiles if the door is 7 15/16" to 9 1/16" wide; doors less than 7 15/16" wide will be made with 2" stiles

Onlay Panel	
Minimum Width	7"+
Maximum Width	36"
Minimum Height	10"
Maximum Height*	80"

- + Decorative Panel Width applies to non-mitered door styles
- Doors with 2 5/8" stiles will be made with 2" stiles if the door width is less than 7 3/16"
- Doors with 2 3/4" stiles will be made with 2" stiles if the door width is less than 7 7/16"
- Doors with 3" stiles will be made with 2" stiles if the door width is less than 7 15/16"
- Roman Arched doors will be supplied as square if the door width is less than 7 15/16"

* Maximum height for Wood-Grain Laminate mitered doors is 55 5/8"

Decorative Panel–Drawer Onlay Panel



APDW

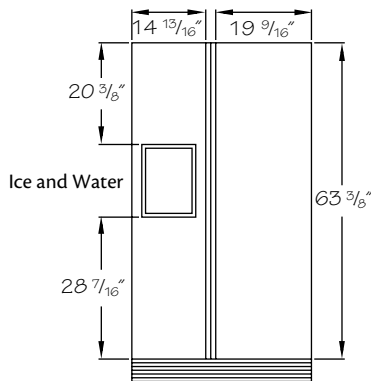
Onlay Panel	
Minimum Width	6" +
Maximum Width	48"
Minimum Height	2 1/4"
Maximum Height	30"

+Decorative Panel Width

- Drawer fronts with 2 5/8" stiles will be made with 2" stiles if the front width is less than 7 3/16"
- Drawer fronts with 2 3/4" stiles will be made with 2" stiles if the front width is less than 7 7/16"
- Drawer fronts with 3" stiles will be made with 2" stiles if the front width is less than 7 15/16"
- The minimum width a drawer front can be made as a 5 piece, with 2 3/16" or 2 1/4" stiles, is 7" wide

- APDW will follow the selected door style's drawer front configuration
- Five-piece grill panels/drawer heads ordered in heights less than 6 1/8" may be supplied as a solid slab onlay panel. Some five-piece drawer fronts may have a recessed center panel
- The Drawer Onlay Panel will be constructed like door when Wood-Grain Foils door styles are ordered
- "Width" will be referred to as "Length" on your faxed acknowledgments for APDW only
- If unit is installed at an angle, fillers should be used to avoid interference with adjacent cabinet
- Veneer raised panel door styles will be supplied with a solid wood center panel machined to resemble the veneer center panel
- Backs are finished
- **Note:** Check appliance manufacturer's specs for any additional material (shims, spacers, etc.) that may be needed before placing any order. Appliance model numbers are **not** sufficient, use numeric dimensions when ordering

Decorative Panel/Replacement Door and Drawer Front

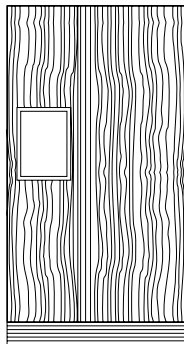


- Decorative panels can be easily created using paneling and replacement door and drawer fronts
- Example: Create a decorative panel for this side by side refrigerator
- **Note:** In most cases, doors will be narrower than the refrigerator door and portions of the refrigerator door paneling will be exposed. Advise your customers that this "reveal" will be present and that cabinet doors are unable to completely overlay the refrigerator door



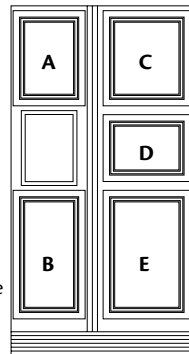
When applying Replacement Doors to a WSK remember to allow enough room for access to the appliance door handle

Option 1:
Order and Install:
WSK3684

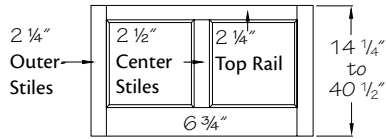


Option 2:
Order and Install:
1 - WSK3684
1 - RDB1218 (Door "A")
1 - RDB1224 (Door "B")
1 - RD1818 (Door "C")
1 - RD1815 (Door "D")
1 - RD1824 (Door "E")

Size of refrigerator may vary and door sizes may need to be changed



Decorative Panel–Wainscot



WAIN01

- Veneer raised panel door styles will be supplied with a solid wood center panel machined to resemble the veneer center panel
- Unavailable in EverCore®, High-Gloss Foil or Wood-Grain Foil door styles
- Unavailable in mitered door styles
- Unavailable in slab door styles
- Outer stiles and top rail are always 2 1/4", bottom rail is always 6 3/4", center stiles are always 2 1/2"

Standard		Shaker	
Panel Width	# Panels	Panel Width	# Panels
7"-25"	1	7"-13"	1
25 1/16"-48"	2	13 1/16"-20"	2
48 1/16"-72"	3	20 1/16"-29"	3
72 1/16"-96"	4	29 1/16"-35"	4
		35 1/16"-48"	5
		48 1/16"-60"	6
		60 1/16"-72"	7
		72 1/16"-84"	8
		84 1/16"-96"	9

Panel	Min.	Max.
Width:	7"	96"
Height:	14 1/4"	40 1/2"

Paneling

Construction Options and Modifications

APC All Plywood Construction
 CW Change Width
 CH Change Height

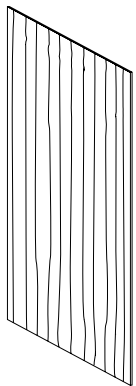
WSK	12	30
code	width	height

- ❖ Included as standard
- Available with an upcharge
- ☆ Available with exceptions
- (Blank) **Not** available

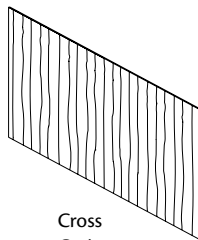
Material dimensions listed may vary slightly from actual dimensions of the product.

Specifications subject to change without notice.

Wood Veneer Paneling



Standard Grain Panel



Cross Grain Panel

Engineered Wood Code

- | | Width x Height x Thickness |
|-------------------|----------------------------|
| ◆ WPL4834 | 48" x 34 1/2" x 3/8" |
| ◆ WPL9634 | 96" x 34 1/2" x 3/8" |
| ◆ WPL4848 | 48" x 48" x 3/8" |
| ◆☆ WPL9648 | 96" x 48" x 3/8" |
| ※ WPL4896 | 48" x 96" x 3/8" |

Plywood Code

- | | Width x Height x Thickness |
|--------------------|----------------------------|
| WSK1230 | 11 1/4" x 30" x 3/16" |
| WSK2134 | 20 1/4" x 34 1/2" x 3/16" |
| WSK2434 | 23 1/4" x 34 1/2" x 3/16" |
| WSK2136 | 20 1/4" x 36" x 3/16" |
| WSK1248 | 11 1/4" x 48" x 3/16" |
| ◆■ WSK4848 | 48" x 48" x 3/16" |
| ◆■☆ WSK9648 | 96" x 48" x 3/16" |
| WSK1284 | 11 1/4" x 84" x 3/16" |
| WSK2484 | 23 1/4" x 84" x 3/16" |
| WSK3684 | 36" x 84" x 3/16" |
| WSK1287 | 11 1/4" x 87" x 3/16" |
| WSK2487 | 23 1/4" x 87" x 3/16" |
| WSK2188 | 20 1/4" x 88 1/2" x 3/16" |
| WSK1290 | 11 1/4" x 90" x 3/16" |
| WSK2490 | 23 1/4" x 90" x 3/16" |
| WSK1293 | 11 1/4" x 93" x 3/16" |
| WSK2493 | 23 1/4" x 93" x 3/16" |
| WSK1296 | 11 1/4" x 96" x 3/16" |
| WSK2496 | 23 1/4" x 96" x 3/16" |
| WSK3696 | 36" x 96" x 3/16" |
| WSK12108 | 11 1/4" x 108" x 3/16" |
| WSK12120 | 11 1/4" x 120" x 3/16" |
| WSK24108 | 23 1/4" x 108" x 3/16" |
| WSK24120 | 23 1/4" x 120" x 3/16" |
| WSK36108 | 36" x 108" x 3/16" |
| WSK36120 | 36" x 120" x 3/16" |

- ◆ Cross grain panel for peninsula application
- ※ Change Width (CW) and Change Height (CH) are only available on these items
- Quartersawn door styles are supplied plain sawn

- Quartersawn door styles are quartersawn wood veneer
- Painted hardwood supplied for EverCore® and Thermofoil
- Painted or Stained hardwood supplied for Wood-Grain Foil door styles
- Crafted Cherry and Maple door styles supplied plain sawn
- Finished one side only
- Edges are unfinished with no edgbanding
- ☆ APC is optional for WPL



Remember to order "Furniture Ends" (FPEB) or a Wood Skin (WSK) for wall cabinets that will be at the end of a run when applying decorative moldings. This will result in a flush application on the return.



Remember to order a 3/16" skin (WSK) for the exposed ends of 93" & 96" high cabinets to conceal the seam between the loose toe kick and the cabinet.

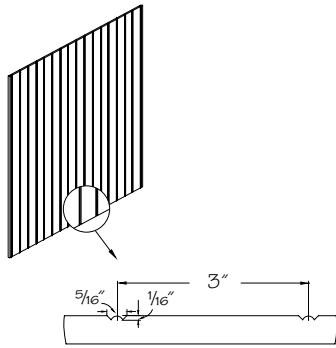


Remember, the grain on paneling normally runs along the length of the panel. Cross grain means grain goes with the short edge.

☆ APC
 ☆ CW
 ☆ CH

Beaded Paneling

APC
CW
CH



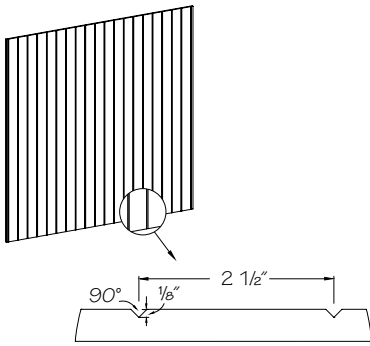
BEPL4834
BEPL4848
BEPL4896

Width x Height x Thickness
 48" x 34 1/2" x 3/8"
 48" x 48" x 3/8"
 48" x 96" x 3/8"

- Plywood construction
- Grooves are 3" on center
- Material may need to be trimmed to ensure proper groove spacing when butting panels together
- Quartersawn door styles are supplied plain sawn
- Painted hardwood supplied for EverCore®
- Painted or Stained hardwood supplied for Wood-Grain Foil door styles

V-Groove Paneling

APC
CW
CH



VGRPL4834
VGRPL4896

Width x Height x Thickness
 48" x 34 1/2" x 3/8"
 48" x 96" x 3/8"

- Plywood construction
- Grooves are 2 1/2" on center
- Material may need to be trimmed to ensure proper groove spacing when butting panels together
- Crafted or Quartersawn door styles will be supplied in plain sawn wood
- Painted hardwood supplied for EverCore®
- Painted or Stained hardwood supplied for Wood-Grain Foil door styles

Specialty Panels



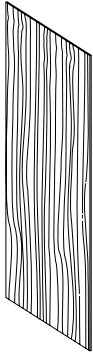
Code	Width x Height	
SPL4830	48" x 30"	
■ SPL9630	96" x 30"	
SPL4836	48" x 36"	
■ SPL9636	96" x 36"	
SPL4840	48" x 40"	
■ SPL9640	96" x 40"	
SPL4848	48" x 48"	
■ SPL9648	96" x 48"	
SPL2796	27" x 96"	
SPL3296	32" x 96"	
SPL4896	48" x 96"	
<i>For 12" High Walls</i>		
SPL1212	11 7/8" x 12"	
SPL1512	14 7/8" x 12"	
SPL1812	17 7/8" x 12"	
SPL2112	20 7/8" x 12"	
SPL2412	23 7/8" x 12"	
<i>For 15" High Walls</i>		
SPL1215	11 7/8" x 15"	
SPL1515	14 7/8" x 15"	
SPL1815	17 7/8" x 15"	
SPL2115	20 7/8" x 15"	
SPL2415	23 7/8" x 15"	
<i>For 18" High Walls</i>		
SPL1218	11 7/8" x 18"	
SPL1518	14 7/8" x 18"	
SPL1818	17 7/8" x 18"	
SPL2118	20 7/8" x 18"	
SPL2418	23 7/8" x 18"	
<i>For 21" High Walls</i>		
SPL1221	11 7/8" x 21"	
SPL1521	14 7/8" x 21"	
SPL1821	17 7/8" x 21"	
SPL2121	20 7/8" x 21"	
SPL2421	23 7/8" x 21"	
<i>For 24" High Walls</i>		
SPL1224	11 7/8" x 23 1/2"	
SPL1524	14 7/8" x 23 1/2"	
SPL1824	17 7/8" x 23 1/2"	
SPL2124	20 7/8" x 23 1/2"	
SPL2424	23 7/8" x 23 1/2"	
<i>For 29" High Desk Cabinets</i>		
SPL1225	11 7/8" x 24 1/2"	
SPL1525	14 7/8" x 24 1/2"	
SPL1825	17 7/8" x 24 1/2"	
SPL2125	20 7/8" x 24 1/2"	
SPL2425	23 7/8" x 24 1/2"	
* SPL2429	23 7/8" x 29"	
<i>For 27" High Walls</i>		
SPL1227	11 7/8" x 27"	
SPL1527	14 7/8" x 27"	
SPL1827	17 7/8" x 27"	
SPL2127	20 7/8" x 27"	
SPL2427	23 7/8" x 27"	
<i>For 30" High Walls and 34 1/2" High Bases and Vanities</i>		
SPL1230	11 7/8" x 30"	
SPL1530	14 7/8" x 30"	
SPL1830	17 7/8" x 30"	
SPL2130	20 7/8" x 30"	
<i>For 30" High Walls and 34 1/2" High Bases</i>		
SPL2430	23 7/8" x 30"	
<i>For 33" High Walls</i>		
SPL1233	11 7/8" x 33"	
SPL1533	14 7/8" x 33"	
SPL1833	17 7/8" x 33"	
SPL2133	20 7/8" x 33"	
SPL2433	23 7/8" x 33"	
<i>For 34 1/2" High Vanities</i>		
* SPL2134	20 7/8" x 34 1/2"	
* SPL2434	23 7/8" x 34 1/2"	
<i>For 36" High Walls and 40 1/2" High Bases</i>		
SPL1236	11 7/8" x 36"	
SPL1536	14 7/8" x 36"	
SPL1836	17 7/8" x 36"	
SPL2136	20 7/8" x 36"	
SPL2436	23 7/8" x 36"	
<i>For 39" High Walls</i>		
SPL1239	11 7/8" x 39"	
SPL1539	14 7/8" x 39"	
SPL1839	17 7/8" x 39"	
SPL2139	20 7/8" x 39"	
SPL2439	23 7/8" x 39"	
<i>For 42" High Walls</i>		
SPL1242	11 7/8" x 42"	
SPL1542	14 7/8" x 42"	
SPL1842	17 7/8" x 42"	
SPL2142	20 7/8" x 42"	
SPL2442	23 7/8" x 42"	
<i>For 45" High Wall Microwaves</i>		
SPL1245	11 7/8" x 45"	
SPL1845	17 7/8" x 45"	
SPL2145	20 7/8" x 45"	
SPL2445	23 7/8" x 45"	
<i>For 48" High Walls</i>		
SPL1248	11 7/8" x 48"	
SPL1548	14 7/8" x 48"	
SPL1848	17 7/8" x 48"	
SPL2148	20 7/8" x 48"	
SPL2448	23 7/8" x 48"	
<i>For 54" High Walls</i>		
SPL1254	11 7/8" x 54"	
SPL1554	14 7/8" x 54"	
SPL1854	17 7/8" x 54"	
SPL2154	20 7/8" x 54"	
SPL2454	23 7/8" x 54"	
<i>For 60" High Talls</i>		
SPL1259	11 7/8" x 55 1/2"	
SPL1559	14 7/8" x 55 1/2"	
SPL1859	17 7/8" x 55 1/2"	
SPL2159	20 7/8" x 55 1/2"	
SPL2459	23 7/8" x 55 1/2"	
<i>For 60" High Wall Microwaves</i>		
SPL1260	11 7/8" x 60"	
SPL1560	14 7/8" x 60"	
SPL1860	17 7/8" x 60"	
SPL2160	20 7/8" x 60"	
*▲ SPL2460	23 7/8" x 60"	
<i>For 84" High Talls</i>		
SPL1280	11 7/8" x 79 1/2"	
SPL1580	14 7/8" x 79 1/2"	
SPL1880	17 7/8" x 79 1/2"	
SPL2180	20 7/8" x 79 1/2"	
SPL2480	23 7/8" x 79 1/2"	
* SPL2484	23 7/8" x 84"	
<i>For 87" High Talls</i>		
SPL1283	11 7/8" x 82 1/2"	
SPL1583	14 7/8" x 82 1/2"	
SPL1883	17 7/8" x 82 1/2"	
SPL2183	20 7/8" x 82 1/2"	
SPL2483	23 7/8" x 82 1/2"	
* SPL2487	23 7/8" x 87"	
<i>For 88 1/2" High Vanities</i>		
SPL1284	11 7/8" x 84"	
SPL1584	14 7/8" x 84"	
SPL1884	17 7/8" x 84"	
SPL2184	20 7/8" x 84"	
<i>For 90" High Talls</i>		
SPL1285	11 7/8" x 85 1/2"	
SPL1585	14 7/8" x 85 1/2"	
SPL1885	17 7/8" x 85 1/2"	
SPL2185	20 7/8" x 85 1/2"	
SPL2485	23 7/8" x 85 1/2"	
* SPL2490	23 7/8" x 90"	
<i>For 93" High Talls</i>		
SPL1288	11 7/8" x 88 1/2"	
SPL1588	14 7/8" x 88 1/2"	
SPL1888	17 7/8" x 88 1/2"	
SPL2188	20 7/8" x 88 1/2"	
SPL2488	23 7/8" x 88 1/2"	
* SPL2493	23 7/8" x 93"	
<i>For 96" High Talls</i>		
SPL1291	11 7/8" x 91 1/2"	
SPL1591	14 7/8" x 91 1/2"	
SPL1891	17 7/8" x 91 1/2"	
SPL2191	20 7/8" x 91 1/2"	
SPL2491	23 7/8" x 91 1/2"	
* SPL2496	23 7/8" x 96"	

APC
CW
CH

- 3/4" thick
- Panels are made to blend with cabinet doors
- Backs of High gloss panels are matte and correspond in color to the face
- Available for High-Gloss Foil and Wood-Grain Foil door styles only
- Wood-Grain Foil door styles default to vertical design slab

- Not available in Wood-Grain Foil door styles
- * Covers the entire end panel
- ▲ Covers the entire end panel of 60" High Talls

Printed Woodgrain Laminate Paneling



<i>Exterior (matching) one side</i>		<i>Width x Height x Thickness</i>
VSK1230		11 1/4" x 30" x 1/8"
VSK2134		20 1/4" x 34 1/2" x 1/8"
VSK2434		23 1/4" x 34 1/2" x 1/8"
VSK4834		48" x 34 1/2" x 1/8"
VSK2136		20 1/4" x 36" x 1/8"
VSK1248		11 1/4" x 48" x 1/8"
VSK1284		11 1/4" x 84" x 1/8"
VSK2484		23 1/4" x 84" x 1/8"
VSK1287		11 1/4" x 87" x 1/8"
VSK2487		23 1/4" x 87" x 1/8"
VSK2188		20 1/4" x 88 1/2" x 1/8"
VSK1290		11 1/4" x 90" x 1/8"
VSK2490		23 1/4" x 90" x 1/8"
VSK1293		11 1/4" x 93" x 1/8"
VSK2493		23 1/4" x 93" x 1/8"
VSK1296		11 1/4" x 96" x 1/8"
VSK2496		23 1/4" x 96" x 1/8"
* VSK4896		48" x 96" x 1/8"
VPL4834 EXT1		48" x 34 1/2" x 1/2"
* VPL4896 EXT1		48" x 96" x 1/2"
<i>Exterior (matching) two sides</i>		<i>Width x Height x Thickness</i>
VPL4834 EXT2		48" x 34 1/2" x 1/2"
* VPL4896 EXT2		48" x 96" x 1/2"
<i>Interior (Natural Birch) one side</i>		<i>Width x Height x Thickness</i>
VSK4848 INT		48" x 48" x 1/8"
VSK4896 INT		48" x 96" x 1/8"
VPL4848 INT1		48" x 48" x 1/2"
* VPL4896 INT1		48" x 96" x 1/2"
<i>Interior (Natural Birch) two sides</i>		<i>Width x Height x Thickness</i>
* VPL4896 INT2		48" x 96" x 1/2"

* Change Width (CW) and Change Height (CH) are only available on these items

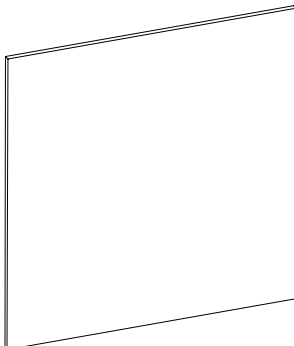
APC
☆ CW
☆ CH

- Printed wood grain laminate paneling is finished one side except as indicated
- Edges are unfinished with no edgbanding
- Quartersawn door styles are supplied plain sawn



Remember that most flat panels will not take glaze or highlight finishes like doors and molding due to little or no hang-up. When choosing a glaze or highlight finish, consider using a matching end panel on exposed ends of cabinets.

CoreGuard® Panel Backer



	<i>Width x Height x Thickness</i>
CGPB36	34 29/64" x 26 13/32" x 1/8"

APC
CW
CH

- Light beige engineered polymer
- Used to patch backs of CoreGuard® cabinets

Shelving

Construction Options and Modifications

APC	All Plywood Construction
MI	Matching Interior
CW	Change Width
RD	Reduced Depth
ID	Increased Depth

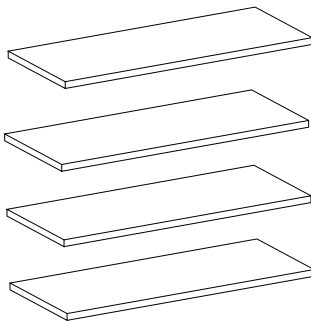
SK	15	24
code	width	height

- ❖ Included as standard
- Available with an upcharge
- ☆ Available with exceptions
- (Blank) **Not** available

Material dimensions listed may vary slightly from actual dimensions of the product.

Specifications subject to change without notice.

Shelf Kits



12" Deep

- SK912
- SK1212
- SK1512
- SK1812
- SK2112
- SK2412
- SK2712
- SK3012
- SK3312
- SK3612

18" Deep

- SK918
- SK1218
- SK1518
- SK1818
- SK2118
- SK2418
- SK2718
- SK3018
- SK3318
- SK3618

21" Deep

- SK921
- SK1221
- SK1521
- SK1821
- SK2121
- SK2421
- SK2721
- SK3021
- SK3321
- SK3621

24" Deep

- SK924
- SK1224
- SK1524
- SK1824
- SK2124
- SK2424
- SK2724
- SK3024
- SK3324
- SK3624

For Operational End Option 12" Deep

- SK912 .OE
- SK1212 .OE
- SK1512 .OE
- SK1812 .OE
- SK2112 .OE
- SK2412 .OE
- SK2712 .OE
- SK3012 .OE
- SK3312 .OE
- SK3612 .OE

For Operational End Option 18" Deep

- SK918 .OE
- SK1218 .OE
- SK1518 .OE
- SK1818 .OE
- SK2118 .OE
- SK2418 .OE
- SK2718 .OE
- SK3018 .OE
- SK3318 .OE
- SK3618 .OE

For Operational End Option 21" Deep

- SK921 .OE
- SK1221 .OE
- SK1521 .OE
- SK1821 .OE
- SK2121 .OE
- SK2421 .OE
- SK2721 .OE
- SK3021 .OE
- SK3321 .OE
- SK3621 .OE

For Operational End Option 24" Deep

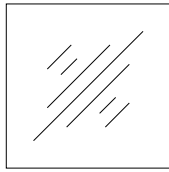
- SK924 .OE
- SK1224 .OE
- SK1524 .OE
- SK1824 .OE
- SK2124 .OE
- SK2424 .OE
- SK2724 .OE
- SK3024 .OE
- SK3324 .OE
- SK3624 .OE

- Four 3/4" printed wood grain laminated shelves
- Edgebanded one long edge
- Operational End Shelves (.OE) are edgebanded on the front, right and left edges to ensure a finished edge on shelves when the side door is open
- ☆ Reduced Depth (RD) and Increased Depth (ID) is **not** available on the Operational End Shelves (.OE)
- Increase Depth (ID) available on 24" deep shelves only, up to 27" deep
- Sixteen shelf clips included
- Recommended for tall cabinets

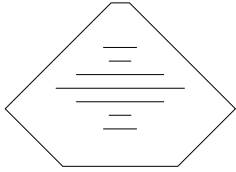
●	APC
●	MI
☆	CW
☆	RD
☆	ID

○ Change Width (CW) option **not** available

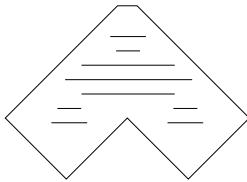
Glass Shelf Kits



GSK



GSKWA



GSKWZ

- **GSK9**
- **GSK12**
- **GSK15**
- **GSK18**
- **GSK21**
- **GSK24**
- **GSK27**
- ◆ **GSK30**
- ◆ **GSK33**
- ◆ **GSK36**
- ◆ **GSK39**
- ◆ **GSK42**
- ◆ **GSK45**
- ◆ **GSK48**
- ▲ **GSK1815**
- **GSK1218**
- **GSK1518**
- **GSK1818**
- **GSK1221**
- **GSK1521**
- **GSK1821**
- **GSK2124**
- For Wall Angle
- **GSKWA24**
- **GSKWA27**
- For Peninsula Wall Angle
- **GSKPWA**
- For Easy Reach
- **GSKWZ21**
- **GSKWZ24**
- Change Width (CW) option *not* available
- ◆ **Cannot** be used with W3030 BUTT, W3630 BUTT or any open cabinets 30" or wider. A center stile is needed for support
- ▲ Three shelves per kit
- **Not** available in Reduced Depth (RD)

For cabinets with beaded or V-Groove back

- **VGSK9**
- **VGSK12**
- **VGSK15**
- **VGSK18**
- **VGSK21**
- **VGSK24**
- **VGSK27**
- **VGSK30**
- **VGSK33**
- **VGSK36**
- **VGSK39**
- **VGSK42**
- **VGSK45**
- **VGSK48**
- **VGSK1218**
- **VGSK1518**
- **VGSK1818**
- **VGSK1221**
- **VGSK1521**
- **VGSK1821**
- **VGSKWA24**
- **VGSKWA27**
- **VGSKWZ21**
- **VGSKWZ24**

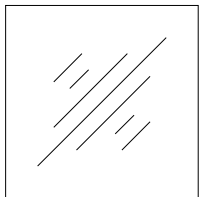
For cabinets with increased depth

- **GSK9 .ID15**
- **GSK12 .ID15**
- **GSK15 .ID15**
- **GSK18 .ID15**
- **GSK21 .ID15**
- **GSK24 .ID15**
- For cabinets with beaded or V-Groove back and increased depth
- **VGSK9 .ID15**
- **VGSK12 .ID15**
- **VGSK15 .ID15**
- **VGSK18 .ID15**
- **VGSK21 .ID15**
- **VGSK24 .ID15**

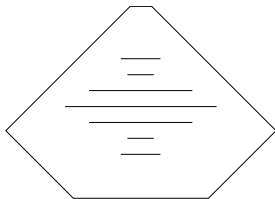
APC
MI
☆ CW
☆ RD
ID

- Fits peninsula and standard wall cabinets
- Includes two 1/4" glass shelves polished edge all four sides and 12 glass shelf rests
- Glass shelves **cannot** be field installed in a WA 24" high; the opening is **not** large enough
- Tempered glass
- ☆ Minimum Reduced Depth (RD) is 9"

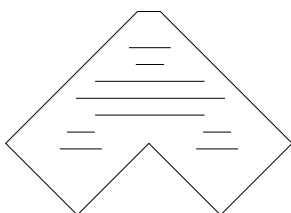
Glass Shelf Kit w/Adjustable Shelf Clips



AGSK



AGSKWA



AGSKWZ

- **AGSK12**
- **AGSK15**
- **AGSK18**
- **AGSK21**
- **AGSK24**
- **AGSK27**
- ◆ **AGSK30**
- ◆ **AGSK33**
- ◆ **AGSK36**
- ◆ **AGSK39**
- ◆ **AGSK42**
- ◆ **AGSK45**
- ◆ **AGSK48**
- ▲ **AGSK1815**
- **AGSK1218**
- **AGSK1518**
- **AGSK1818**
- **AGSK1221**
- **AGSK1521**
- **AGSK1821**
- **AGSK2124**
- For Wall Angle
- **AGSKWA24**
- **AGSKWA27**
- For Peninsula Wall Angle
- **AGSKPWA**
- For Easy Reach
- **AGSKWZ24**
- ◆ **Cannot** be used with W3030 BUTT, W3630 BUTT or any open cabinets 30" or wider. A center stile is needed for support
- ▲ Three shelves per kit
- **Not** available in Reduced Depth (RD)
- Change Width (CW) option *not* available

For cabinets with beaded or V-Groove back

- **AVGSK12**
- **AVGSK15**
- **AVGSK18**
- **AVGSK21**
- **AVGSK24**
- **AVGSK27**
- ◆ **AVGSK30**
- ◆ **AVGSK33**
- ◆ **AVGSK36**
- ◆ **AVGSK39**
- ◆ **AVGSK42**
- ◆ **AVGSK45**
- ◆ **AVGSK48**
- **AVGSK1218**
- **AVGSK1518**
- **AVGSK1818**
- **AVGSK1221**
- **AVGSK1521**
- **AVGSK1821**
- **AVGSKWA24**
- **AVGSKWA27**
- **AVGSKWZ24**

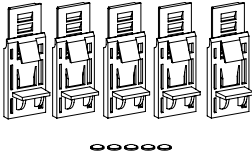
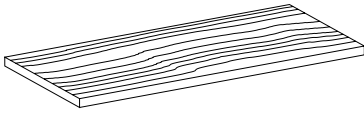
For cabinets with increased depth

- **AGSK12 .ID15**
- **AGSK15 .ID15**
- **AGSK18 .ID15**
- **AGSK21 .ID15**
- **AGSK24 .ID15**
- For cabinets with beaded or V-Groove back and increased depth
- **AVGSK12 .ID15**
- **AVGSK15 .ID15**
- **AVGSK18 .ID15**
- **AVGSK21 .ID15**
- **AVGSK24 .ID15**

APC
MI
☆ CW
☆ RD
ID

- Fits peninsula and standard wall cabinets
- Includes two 1/4" glass shelves polished edge all four sides and ten adjustable shelf clips
- Glass shelves **cannot** be field installed in a WA 24" high; the opening is **not** large enough
- Tempered glass

Replacement Shelving w/Adjustable Shelf Clips



For 12" deep Wall

AWS1212

AWS1512

AWS1812

AWS2112

AWS2412

AWS2712

AWS3012

AWS3312

AWS3612

■ **AWS3912**

■ **AWS4212**

■ **AWS4512**

■ **AWS4812**

For 12" deep Peninsula Wall

APWS1212

APWS1512

APWS1812

APWS2112

APWS2412

APWS2712

APWS3012

APWS3312

APWS3612

■ **APWS3912**

■ **APWS4212**

■ **APWS4512**

■ **APWS4812**

- **Not** available in Increased Depth (ID)
- ▲ **Not** available in Increased Depth (ID) or Reduced Depth (RD)
- Change Width (CW) option **not** available

For Wall Angle

▲○ **AWAS21**

○ **AWAS24**

○ **AWAS27**

For Peninsula Wall Angle

○ **APWAS24**

For Wall Easy Reach

AWEZRS24

○ **AWEZRS36**

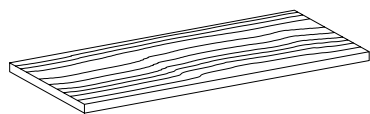
For Peninsula Wall Easy Reach

○ **APWEZRS24**

- 3/4" interior printed wood grain laminate two sides
- Edgebanded one long edge—two edges for peninsula
- Size fits interior of cabinet listed
- Includes one shelf
- Includes five adjustable shelf clips and five slip resistant pads
- Maximum Increased Depth (ID) for peninsula wall shelving is 15"

●	APC
●	MI
☆	CW
●	RD
☆	ID

Replacement Shelving—Walls



●	APC
●	MI
☆	CW
☆	RD
☆	ID

For 12" deep Wall

- **WS912**
- WS1212**
- WS1512**
- WS1812**
- WS2112**
- WS2412**
- WS2712**
- WS3012**
- WS3312**
- **WS3412**
- WS3612**
- ◆○ **WS3712**
- ◆ **WS3912**
- ◆ **WS4212**
- ◆ **WS4512**
- ◆ **WS4812**

For Wall Refrigerator

- WRS1824**
- WRS2124**
- WRS2424**
- WRS2724**
- WRS3024**
- WRS3324**
- **WRS3424**
- WRS3624**
- **WRS3724**
- WRS3924**

For 12" deep Peninsula Wall

- **PWS912**
- PWS1212**
- PWS1512**
- PWS1812**
- PWS2112**
- PWS2412**
- PWS2712**
- PWS3012**
- PWS3312**
- PWS3612**
- ◆ **PWS3912**
- ◆ **PWS4212**
- ◆ **PWS4512**
- ◆ **PWS4812**

For Wall Angle

- ▲○ **WAS21**
- **WAS24**
- **WAS27**

For Peninsula Wall Angle

- **PWAS24**

For Wall Corner Angle

- **WCAS1212**

For Wall End Corner

- **WECS1212**

For Wall Easy Reach

- **WEZRS21**
- WEZRS24**
- **WEZRS36**
- **WEZRS2421**

For Peninsula Wall Easy Reach

- **PWEZRS24**

For Wall Open Easy Reach

- **WOEZS924**
- **WOEZS1224**

For Wall Microwave

- **MWCS2718**
- **MWCS3018**
- **MWCS2721**
- **MWCS3021**

For Wall Multi-Storage Pantry

- **WMPBS36**

For Walls with Beaded or V-Groove backs

- ▲ **FCES30 .RDBO**
- ▲○ **WAS21 .RDBO**
- ▲ **WAS24 .RDBO**
- ▲ **WEZRS21 .RDBO**
- ▲ **WEZRS24 .RDBO**
- ▲ **WEZRS2421 .RDBO**
- ▲ **WEZRS36 .RDBO**
- WRS2424 .RDBO**
- WRS2724 .RDBO**
- WRS3024 .RDBO**
- WRS3324 .RDBO**
- WRS3424 .RDBO**
- WRS3624 .RDBO**
- WRS3724 .RDBO**
- WRS3924 .RDBO**
- **WS912 .RDBO**
- WS1212 .RDBO**
- WS1512 .RDBO**
- WS1812 .RDBO**
- WS2112 .RDBO**
- WS2412 .RDBO**
- WS2712 .RDBO**
- WS3012 .RDBO**
- WS3312 .RDBO**
- **WS3412 .RDBO**
- WS3612 .RDBO**
- ◆○ **WS3712 .RDBO**
- ◆ **WS3912 .RDBO**
- ◆ **WS4212 .RDBO**
- ◆ **WS4512 .RDBO**
- ◆ **WS4812 .RDBO**

For 135° Wall Inside Angle Corner Cabinet

- † **WIACS21**

For 135° Wall Outside Angle Corner Cabinet

- † **WOACS6**

For Operational End Option

- WAS24 .OE**
- WAS27 .OE**
- WEZRS21 .OE**
- WEZRS24 .OE**
- WEZRS2421 .OE**

- **WS912 .OE**
- WS1212 .OE**
- WS1512 .OE**
- WS1515 .OE**
- WS1518 .OE**
- WS1521 .OE**
- WS1812 .OE**
- WS1815 .OE**
- WS1818 .OE**
- WS1821 .OE**
- WS2112 .OE**
- WS2412 .OE**
- WS2712 .OE**
- WS3012 .OE**
- WS3312 .OE**
- **WS3412 .OE**
- WS3612 .OE**
- ◆○ **WS3712 .OE**
- ◆ **WS3912 .OE**
- ◆ **WS4212 .OE**
- ◆ **WS4512 .OE**
- ◆ **WS4812 .OE**

For Integrated Wall Spice Shelf

- WSIWS**

- 3/4" interior printed wood grain laminate two sides; 3/4" interior Plywood two sides on Beaded or V-Groove replacement shelving
- Edgebanded one long edge—two edges for peninsula
- Operational End Shelves (.OE) are edgebanded on the front, right and left edges to ensure a finished edge on shelves when the side door is open
- ☆ Operational End (OE) is **not** available with Reduced Depth (RD) option
- Size fits interior of cabinet listed
- Maximum Increased Depth (ID) for peninsula wall shelving is 15"
- Maximum Increased Depth (ID) for Wall Refrigerator shelving is 27"
- Includes one shelf
- See Hardware section for shelf clips

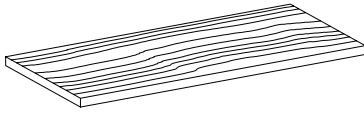
○ Change Width (CW) option **not** available

◆ **Not** available in Increased Depth (ID)

▲ **Not** available in Increased Depth (ID) or Reduced Depth (RD)

† **Not** available with any options

Replacement Shelving—Base



●	APC
●	MI
☆	CW
☆	RD
	ID

For 18" deep Base

BS1218
BS1518
BS1818
BS2118
BS2418
BS2718
BS3018
BS3318
BS3618

For 21" deep Base

BS1221
BS1521
BS1821
BS2121
BS2421
BS2721
BS3021
BS3321
BS3621

For 24" deep Base

○ **BS924**
BS1224
BS1524
BS1824
BS2124
BS2424
BS2724
BS3024
BS3324
BS3624
BS3924
BS4224
BS4524
BS4824

For 24" deep Peninsula Base

PBS1224
PBS1524
PBS1824
PBS2124
PBS2424
PBS2724
PBS3024
PBS3324
PBS3624
PBS3924
PBS4224
PBS4524
PBS4824

For 33" wide Utility Cleaning Cabinet

BS1624
BS2427
BS2727
BS3027
BS3327
BS3627
BS3927
BS4227
BS4527
BS4827

- Change Width (CW) option *not* available
- ★ *Not* available in Reduced Depth (RD)
- † *Not* available with width or depth options
- Adjustable shelf with wood edging
- ▲ *Not* available in Increased Depth (ID) or Reduced Depth (RD)

For Base Corner Angle

★○ **BCAS2424**
 For Peninsula Base Angle
 ○ **PBAS36**
 For Base End Corner
 ○ **BECS2424**
 For Base End Angle
 ○ **BEAS1224**
 For Easy Reach
 ○ **BEZRS33**
 ○ **BEZRS36**
 ○ **EZRS3633**
 For Peninsula Easy Reach
 ○ **PEZRS33**
 ○ **PEZRS36**
 For Lazy Susan Angle
 ○ **LSAS36**
 For Base Multi-Storage Pantry
 ○ **MSPBS36**

For Base with Beaded or V-Groove backs

BS1218 .RDBO
BS1221 .RDBO
BS1518 .RDBO
BS1521 .RDBO
BS1818 .RDBO
BS1821 .RDBO
BS1824 .RDBO
BS2118 .RDBO
BS2121 .RDBO
BS2124 .RDBO
BS2418 .RDBO
BS2421 .RDBO
BS2424 .RDBO
BS2718 .RDBO
BS2721 .RDBO
BS2724 .RDBO
BS3018 .RDBO
BS3021 .RDBO
BS3024 .RDBO
BS3318 .RDBO
BS3321 .RDBO
BS3324 .RDBO
BS3618 .RDBO
BS3621 .RDBO
BS3624 .RDBO

For 135° Base Inside Angle Corner Cabinet

† **BIACS21**

For 135° Base Outside Angle Corner Cabinet

† **BOACS6**

For Operational End Option

○ **BS912 .OE**
 ○ **BS918 .OE**
 ○ **BS921 .OE**
 ○ **BS924 .OE**
BS1212 .OE
BS1218 .OE
BS1221 .OE
BS1224 .OE
BS1512 .OE
BS1518 .OE
BS1521 .OE
BS1524 .OE
BS1812 .OE
BS1818 .OE
BS1821 .OE
BS1824 .OE
BS2112 .OE
BS2118 .OE
BS2121 .OE
BS2124 .OE
BS2418 .OE
BS2421 .OE
BS2424 .OE
BS2712 .OE
BS2718 .OE
BS2721 .OE
BS2724 .OE
BS3012 .OE
BS3018 .OE
BS3021 .OE
BS3024 .OE
BS3312 .OE
BS3318 .OE
BS3321 .OE
BS3324 .OE
BS3612 .OE
BS3618 .OE
BS3621 .OE
BS3624 .OE
BS3912 .OE
BS3924 .OE
BS4212 .OE
BS4224 .OE
BS4512 .OE
BS4524 .OE
BS4812 .OE
BS4824 .OE

For Integrated Base Spice Shelf

BSIBSS

For Base Multi-Storage Pantry Swingout

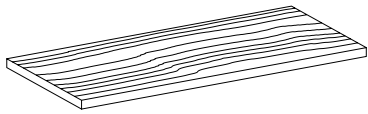
■○▲ **MSPSWS**

For Base Multi-Storage Pantry Door Storage

■○▲ **MSPDSS**

- 3/4" interior printed wood grain laminate two sides; 3/4" interior Plywood two sides on Beaded or V-Groove replacement shelving
- Edgebanded one long edge—two edges for peninsula
- Operational End Shelves (.OE) are edgebanded on the front, right and left edges to ensure a finished edge on shelves when the side door is open
- ☆ Operational End (OE) is *not* available with Reduced Depth (RD) option
- Size fits interior of cabinet listed
- Includes one shelf
- See Hardware section for shelf clips

Replacement Shelving-Vanity



For Mirror Cabinet

MCS17

*For Vanity Wall
Boutique*

◆ **WSVWB24**

MCS24

For Tri-View

TVS24

TVS30

TVS36

TVS48

◆ 3/4" interior printed wood grain laminate
two sides

For Vanity Mirror Angle

VMAS12

For Vanity Wall

VWS12

VWS15

For Wall Hung Vanity

WHVS1218 Offset
18" deep

WHVS1221 Offset
21" deep

- 1/2" interior printed wood grain laminate two sides
- Edgebanded one long edge
- Size fits interior of cabinet listed
- Includes one shelf
- See Hardware section for shelf clips

●	APC
●	MI
	CW
	RD
	ID

Roll-out Trays

Construction Options and Modifications

APC All Plywood Construction
 MI Matching Interior
 CW Change Width

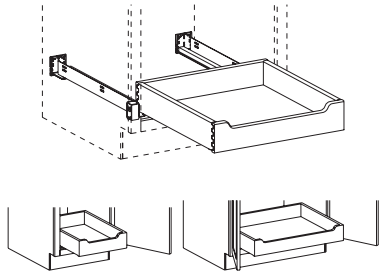
DXROT	12	•24
code	width	depth

- ❖ Included as standard
- Available with an upcharge
- ☆ Available with exceptions
- (Blank) **Not** available

Material dimensions listed may vary slightly from actual dimensions of the product.

Specifications subject to change without notice.

Deluxe Dovetailed Roll-out Tray Factory Installed



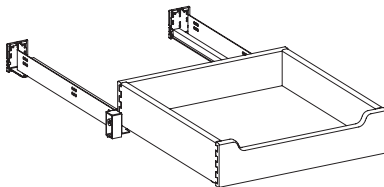
Available only in the width configurations shown

- 1DXROT
- 2DXROT
- 3DXROT
- 4DXROT
- 5DXROT
- 6DXROT

- Roll-out Trays (DROT) are 4" deep, 5/8" solid wood dovetailed sides with 3/16" plywood bottom, notched front and full extension runners with integrated soft close feature
- 18", 21" and 24" depths only
- Single Rollout trays are mounted in the center replacing the adjustable shelf
- Tray location is adjustable
- **Not** available on double door cabinets with a center stile; **must** be ordered on cabinets with BUTT doors. **Not** available with Mullion Strip options (MSB, MSPBK).
- **Not** available with 39", 42", 45", or 48" wide cabinets
- **Not** available with Peninsula cabinets
- Trays are **not** evenly spaced
- **Note:** for 24" Deep Cabinets: Factory Installed Roll-Out Trays (DXROT) are **not** available on Utility Cabinets wider than 24"

APC
MI
CW

Deluxe Dovetailed Roll-out Tray Field Installation

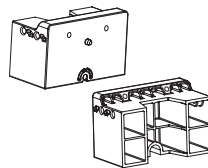


- DXROT12.24 .21 .18
- DXROT15.24 .21 .18
- DXROT16.24 .21 .18
- DXROT18.24 .21 .18
- DXROT19.24 .21 .18
- DXROT21.24 .21 .18
- DXROT22.24 .21 .18
- DXROT24.24 .21 .18
- DXROT27.24 .21 .18
- DXROT30.24 .21 .18
- DXROT33.24 .21 .18
- DXROT36.24 .21 .18

Center Stile Mounting Block
DXROT .CS

- (CW) option unavailable

Grey color coding indicates new product, size or code.



DXROT.CS

- Roll-out Trays are 4" deep, 5/8" solid wood dovetailed sides with 3/16" plywood bottom, notched front and full extension runners with integrated buffer
- 18", 21" and 24" depths only
- Tray location is adjustable
- Mounting hardware and runners included
- DXROT.CS is required for side-by-side Roll-out Tray installation on cabinets with a center stile
- Qty 1 DXROT.CS will accommodate two side-by-side trays
- Qty 2 DXROT.CS required if the trays are preferred to be offset
- **Not** available with Peninsula cabinets

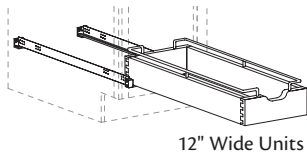
APC
MI
☆ CW

Deluxe Dovetail Roll-out Tray Field Installation Chart

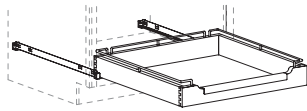
Cabinet	(Max) #DXROTs
Base	3
Base w/Center Stile	6
Base•FH	4
Base•FH w/Center Stile	8
Base•FH•40	5
Base•FH•40 w/Center Stile	10
Tall	10
Tall w/Center Stile	20
Desk	2
Desk w/Center Stile	4
Desk•FH	3
Desk•FH w/Center Stile	6
Vanity	3
Vanity w/Center Stile	6
Vanity•FH	4
Vanity•FH w/Center Stile	8
VLC 88 1/2" H	6 (Top) / 4 (Bottom)
VLC 88 1/2" H w/Center Stile	12 (Top) / 8 (Bottom)

Chrome Deluxe Roll-out Tray Factory Installed

APC
MI
CW



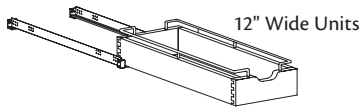
12" Wide Units



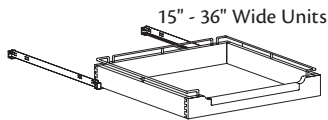
15" - 36" Wide Units

- 1SDXR0T
- 2SDXR0T
- 3SDXR0T
- 4SDXR0T
- 5SDXR0T
- 6SDXR0T

- Roll-out Trays (ROT) are 5" deep, including rails, 5/8" solid wood dovetailed sides with 1 1/2" chrome rails on sides and back, 3/16" plywood bottom, notched front with chrome pull and full extension runners with integrated buffer
- 18", 21" and 24" depths only
- Shelves are eliminated when this option is selected
- Tray location is adjustable
- **Not** available on double door cabinets with a center stile; must be ordered on cabinets with BUTT doors. Not available with Mullion Strip options (MSB, MSPBK)
- Order Chrome Deluxe Roll-out (SDXR0T) for cabinets that do **not** have center stiles; includes cabinets with BUTT doors. Order Example: B36BUTT-2SDXR0T; B24L-2SDXR0T
- Full-width trays **not** available in 39", 42", 45" or 48"
- Trays are **not** evenly spaced
- Mounting hardware and runners included
- Front chrome pullout is **not** included on trays for 12" wide cabinets
- **Not** available with Peninsula cabinets
- **Note:** for 24" Deep Cabinets: Factory Installed Roll-Out Trays (DXROT) are **not** available on Utility Cabinets wider than 24"



12" Wide Units



15" - 36" Wide Units

Chrome Deluxe Roll-out Tray Field Installation

APC
MI
CW

Chrome Deluxe Roll-out Tray Field Installation Chart

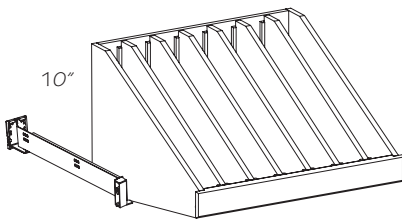
Cabinet	(Max) #SDXR0Ts
Base	3
Base•FH	4
Base•FH•40	5
Tall	10
Desk	2
Desk•FH	3
Vanity	3
Vanity•FH	4
VLC 88 1/2" H	6 (Top) 4 (Bottom)

- SDXR0T12.24.21.18
- SDXR0T15.24.21.18
- SDXR0T18.24.21.18
- SDXR0T21.24.21.18
- SDXR0T24.24.21.18
- SDXR0T27.24.21.18
- SDXR0T30.24.21.18
- SDXR0T33.24.21.18
- SDXR0T36.24.21.18

- Roll-out Trays (SDXR0T) are 5 1/2" deep, including rails, 5/8" solid wood dovetailed sides with 1 1/2" chrome rails on sides and back, 3/16" plywood bottom, notched front with chrome pull and full extension runners with integrated soft close feature
- 18", 21" and 24" depths only
- Single Rollout trays are mounted in the center replacing the adjustable shelf
- Tray location is adjustable
- **Not** available on double door cabinets with a center stile; **must** be ordered on cabinets with BUTT doors. **Not** available with Mullion Strip options (MSB, MSPBK).
- **Not** available with 39", 42", 45", or 48" wide cabinets
- **Not** available with Peninsula cabinets
- Trays are **not** evenly spaced

Roll-out Tray Divided Kit Field Installation

APC
MI
CW



10"

Roll-out Tray Divided Kit Field Installation Chart

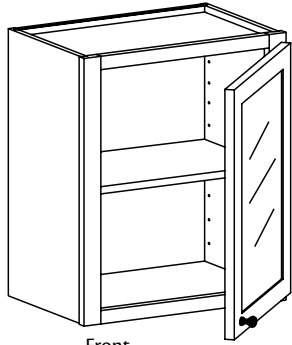
Cabinet	(Max) #ROTDKs
Base	1
Base•FH	1
Base•FH•40	1
Tall	1
Desk	N/A
Desk•FH	N/A
Vanity	N/A
Vanity•FH	N/A
VLC 88 1/2" H	N/A (Top) 1 (Bottom)

- ROTDK12.24 3 compartments
- ROTDK15.24 4 compartments
- ROTDK18.24 5 compartments
- ROTDK21.24 6 compartments
- ROTDK24.24 7 compartments
- ROTDK27.24 8 compartments
- ROTDK30.24 9 compartments
- ROTDK33.24 10 compartments
- ROTDK36.24 11 compartments

- Tray is 2 1/4" high at front and 10" high at back
- Includes full extension soft-close runners
- 24" depth only
- Solid wood dovetail construction
- **Not** available with Peninsula cabinets

Decorative Doors and Inserts

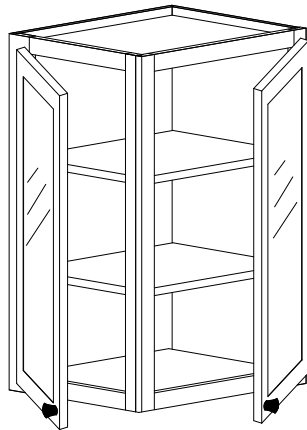
Glass Door Position Availability Charts



Front

Front	
Model	For use in
1_1	12" to 33" high Wall and Base cabinets, see insert for size exceptions
2_1	12" to 33" high Wall and Base cabinets, see insert for size exceptions
3_1	12" to 33" high Wall and Base cabinets, see insert for size exceptions
4_1	12" to 33" high Wall and Base cabinets, see insert for size exceptions
1_2	36" to 62" high Wall and Base cabinets, see insert for size exceptions
2_2	36" to 62" high Wall and Base cabinets, see insert for size exceptions
3_2	36" to 62" high Wall and Base cabinets, see insert for size exceptions
4_2	36" to 62" High Wall and Base cabinets, see insert for size exceptions

- Bistro Glass Front Example: 1BIS1



Front & End(s)

Front & End	
Model	For use in
2_1E	12" to 24" wide, up to 33" high single door Wall Cabinets & Base Cabinets with Operational End
2_2E	12" to 24" wide, 36" to 54" high single door Wall Cabinets with Operational End
2_ PREPE	Single door Wall Cabinets & Base Cabinets with Operational End
3_1E	24" to 36" wide, up to 33" high double door Wall cabinets & Base cabinets with Operational End
3_2E	24" to 36" wide, 36" to 54" high double door Wall cabinets with Operational End
3_ PREPE	Double door Wall cabinets & Base cabinets with Operational End

- Bistro Glass Front & End Example: 2BIS.1E

- Available in select Aluminum Frame Glass, Classic Glass, Etched Glass, Layered Glass and Textured Glass. See individual inserts for nomenclature.
- Glass doors **must** be ordered on front of cabinet to allow ordering of glass doors for Operational Ends (OE)



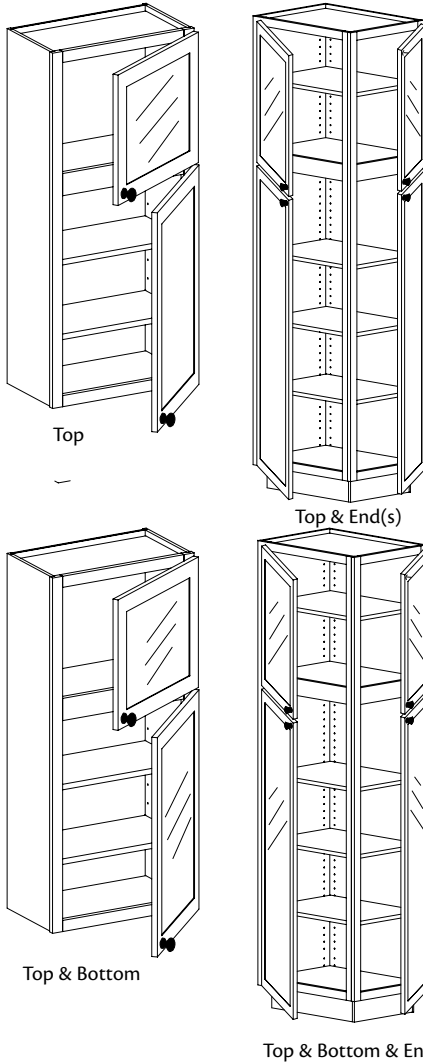
In 20-20 Operational End (OE) **must** be selected before adding glass to cabinet ends.

Order Example: W1830R- WOER.1- 2BIS.1E

Front & Ends Both	
Model	For use in
3_1EB	12" to 24" wide, up to 33" high single door Wall Cabinets & Base Cabinets with Operational Ends Both
3_2EB	12" to 24" wide, 36" to 54" high single door Wall Cabinets with Operational Ends Both
3_ PREPEB	Single door Wall Cabinets & Base Cabinets with Operational Ends Both
4_1EB	24" to 48" wide, up to 33" high double door Wall & Base Cabinets with Operational Ends Both
4_2EB	24" to 48" wide, 36" to 54" high double door Wall Cabinets with Operational Ends Both
4_ PREPEB	Double door Wall & Base Cabinets with Operational Ends Both

- Bistro Glass Front & Ends Both Example: 3BIS.1EB

Glass Door Position Availability Charts



- Available in select Aluminum Frame Glass, Classic Glass, Etched Glass, Layered Glass and Textured Glass. See individual inserts for nomenclature.
- Glass doors **must** be ordered on front of cabinet to allow ordering of glass doors for Operational Ends (OE)



In 20-20 Operational End (OE) **must** be selected before adding glass to cabinet ends.
Order Example: W1830R- WO.E.R.1- 2BIS.1E

Top	
Model	For use in
1__1T	12" to 24" wide, Wall Stack cabinets and 84" to 93" Tall cabinets
1__2T	12" to 24" wide, 96" high Tall cabinets
1__PREP.T	Single door Wall Stack cabinets and Tall cabinets
2__1T	24" to 36" wide, Wall Stack cabinets and 84" to 93" Tall cabinets
2__2T	24" to 36" wide, 96" high Tall cabinets
2__PREP.T	Double Door Wall Stack cabinets and Tall cabinets

- Bistro Glass Top Example: 1BIS.1T

Top & End	
Model	For use in
2__1T.E	12" to 24" wide, Wall Stack cabinets and 84" to 93" Tall cabinets with Operational End
2__2T.E	12" to 24" wide, 96" high Tall cabinets with Operational End
2__PREP.T.E	Double door Wall Stack cabinets and Tall cabinets with Operational End
3__1T.E	24" to 36" wide, Wall Stack cabinets and 84" to 93" Tall cabinets with Operational End
3__2T.E	24" to 36" wide, 96" high Tall cabinets with Operational End
3__PREP.T.E	Single Door Wall Stack cabinets and Tall cabinets with Operational End

- Bistro Glass Top & End Example: 2BIS.1T.E

Top & Ends Both	
Model	For use in
3__1T.TEB	12" to 24" wide, Wall Stack cabinets with Operational Ends Both
3__PREP.T.TEB	Single Door Wall Stack cabinets with Operational Ends Both
4__1T.1TEB	24" to 36" wide, Wall Stack cabinets with Operational Ends Both
4__PREP.T.TEB	Double Door Wall Stack cabinets with Operational Ends Both

- Bistro Glass Top & Ends Both Example: 3BIS.1T.TEB

Top & Bottom	
Model	For use in
2__1T.1B	12" to 24" wide, 48" & 51" Wall Stack cabinets
2__1T.2B	12" to 24" wide, 54" high Wall Stack cabinets and 84" to 93" Tall cabinets
2__2T.2B	12" to 24" wide, 96" high Tall cabinets
2__PREP.T.B	Double door Wall Stack cabinets and Tall cabinets
4__1T.1B	24" to 36" wide, 48" & 51" Wall Stack cabinets
4__1T.2B	24" to 36" wide, 54" high Wall Stack cabinets and 84" to 93" Tall cabinets
4__2T.2B	24" to 36" wide, 96" high Tall cabinets
4__PREP.T.B	Double door Wall Stack cabinets and Tall cabinets

- Bistro Glass Top & Bottom Example: 2BIS.1T.1B

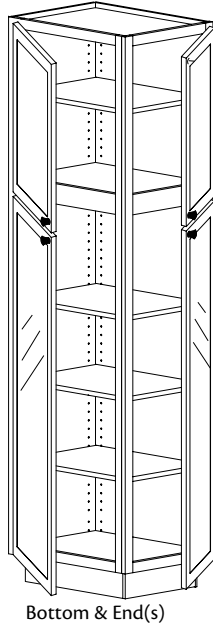
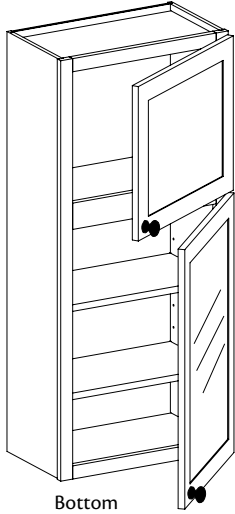
Top & Bottom & End	
Model	For use in
4__1T.1B.TE.BE	12" to 24" wide, 48" & 51" high Wall Stack cabinets with Operational End
4__1T.2B.TE.BE	12" to 24" wide, 54" high Wall Stack cabinets and 84" to 93" Tall cabinets with Operational End
4__2T.2B.TE.BE	12" to 24" wide, 96" high Tall cabinets with Operational End
4__PREP.T.B.TE.BE	Single door Wall Stack cabinets and Tall cabinets with Operational End
6__1T.1B.TE.BE	24" to 36" wide, 48" & 51" high Wall Stack cabinets with Operational End
6__1T.2B.TE.BE	24" to 36" wide, 54" high Wall Stack cabinets and 84" to 93" Tall cabinets with Operational End
6__2T.2B.TE.BE	24" to 36" wide, 96" high Tall cabinets with Operational End
6__PREP.T.B.TE.BE	Single door Wall Stack cabinets and Tall cabinets with Operational End

- Bistro Glass Top & Bottom & End Example: 4BIS.1T.1B.TE.BE

Top & Bottom & Ends Both	
Model	For use in
6__1TEB.1BEB	12" to 24" wide, 48" & 51" high Wall Stack cabinets with Operational Ends Both
6__1TEB.2BEB	12" to 24" wide, 54" high Wall Stack cabinets with Operational Ends Both
6__PREP.TEB.BEB	Double door Wall Stack cabinets with Operational Ends Both
8__1TEB.1BEB	24" to 36" wide, 48" & 51" Wall Stack cabinets with Operational Ends Both
8__1TEB.2BEB	24" to 36" wide, 54" high Wall Stack cabinets with Operational Ends Both
8__PREP.TEB.BEB	Double door Wall Stack cabinets with Operational Ends Both

- Bistro Glass Top & Bottom & Ends Example: 6BIS.1TEB.1BEB

Glass Door Position Availability Charts



- Available in select Aluminum Frame Glass, Classic Glass, Etched Glass, Layered Glass and Textured Glass. See individual inserts for nomenclature.
- Check individual cabinets for availability
- Glass doors **must** be ordered on front of cabinet to allow ordering of glass doors for Operational Ends (OE)



In 20-20 Operational End (OE) **must** be selected before adding glass to cabinet ends.
Order Example: W1830R- WOER.1- 2BIS.1E

Bottom	
Model	For use in
1__1B	12" to 24" wide, 48" & 51" high Wall Stack cabinets
1__2B	12" to 24" wide, 54" high Wall Stack cabinets and Tall cabinets
1_PREPB	Single Door Wall Stack cabinets and Tall cabinets
2__1B	24" to 36" wide, 48" & 51" high Wall Stack cabinets
2__2B	24" to 36" wide, 54" high Wall Stack cabinets and Tall cabinets
2_PREPB	Double Door Wall Stack cabinets and Tall cabinets

- Bistro Glass Bottom Example: 1BIS.1B

Bottom & End	
Model	For use in
2__1B.E	12" to 24" wide, 48" & 51" high Wall Stack cabinets with Operational End
2__2B.E	12" to 24" wide, 54" high Wall Stack cabinets and Tall cabinets with Operational End
2_PREPB.E	Double door Wall Stack cabinets and Tall cabinets with Operational End
3__1B.E	24" to 36" wide, 48" & 51" high Wall Stack cabinets with Operational End
3__2B.E	24" to 36" wide, 54" high Wall Stack cabinets and Tall cabinets with Operational End
3_PREPB.E	Single door Wall Stack cabinets and Tall cabinets with Operational End

- Bistro Glass Bottom & End Example: 2BIS.1B.E

Bottom & Ends Both	
Model	For use in
3__1B.BEB	12" to 24" wide, 48" & 51" high Wall Stack cabinets with Operational Ends Both
3__2B.BEB	12" to 24" wide, 54" high Wall Stack cabinets with Operational Ends Both
3_PREPB.BEB	Single door Wall Stack cabinets with Operational Ends Both
4__1B.1BEB	24" to 36" wide, 48" & 51" high Wall Stack cabinets with Operational Ends Both
4__2B.2BEB	24" to 36" wide, 54" high Wall Stack cabinets with Operational Ends Both
4_PREPB.BEB	Double door Wall Stack cabinets with Operational Ends Both

- Bistro Glass Bottom & Ends Example: 3BIS.1B.BEB

Aluminum Frame Glass

Aluminum frame glass doors feature clean sleek lines that complement any door style. Frames are brushed extruded aluminum. Combine a front or reverse frame and a glass style that offers the degree of content visibility you desire, from completely clear to totally obscure.

3	FR	SAT	2
quantity	frame code	glass code	height code

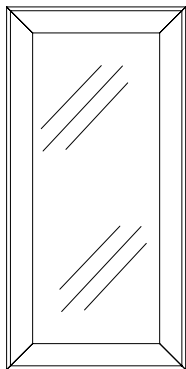
Aluminum frame glass is available in full overlay door styles, in sizes from 12" wide and up to 62" high.

Glass inserts are ordered individually. Place quantity before order code. See examples for individual items.

Material dimensions listed may vary slightly from actual dimensions of the product.

See Construction Options section for specific information on each glass type.

Fresco Brushed Aluminum



Bistro Glass Insert
Front

12" - 33" H

1FRBIS1

2FRBIS1

3FRBIS1

4FRBIS1

36" - 62" H

2FRBIS .2T.E

3FRBIS .2T.E

1FRBIS2

2FRBIS2

3FRBIS2

4FRBIS2

Front & End

12" - 33" H

2FRBIS .1E

3FRBIS .1E

36" - 62" H

2FRBIS .2E

3FRBIS .2E

Front & Ends Both

12" - 33" H

3FRBIS .1EB

4FRBIS .1EB

36" - 62" H

3FRBIS .2EB

4FRBIS .2EB

Top

12" - 33" H

1FRBIS .1T

2FRBIS .1T

36" - 62" H

1FRBIS .2T

2FRBIS .2T

Top & End

12" - 33" H

2FRBIS .1T.E

3FRBIS .1T.E

36" - 62" H

2FRBIS .2T.E

3FRBIS .2T.E

Top & Ends Both

12" - 33" H

3FRBIS .1T.TEB

4FRBIS .1T.TEB

Top & Bottom

12" - 33" H (Top & Bottom)

2FRBIS .1T.1B

4FRBIS .1T.1B

12" - 33" H (Top),

36" - 62" H (Bottom)

2FRBIS .1T.2B

4FRBIS .1T.2B

36" - 62" H (Top & Bottom)

2FRBIS .2T.2B

4FRBIS .2T.2B

Top & Bottom & End

12" - 33" H (Top & Bottom)

4FRBIS .1T.1B.TE.BE

6FRBIS .1T.1B.TE.BE

12" - 33" H (Top),

36" - 62" H (Bottom)

4FRBIS .1T.2B.TE.BE

6FRBIS .1T.2B.TE.BE

36" - 62" H (Top & Bottom)

4FRBIS .2T.2B.TE.BE

6FRBIS .2T.2B.TE.BE

Top & Bottom & Ends Both

12" - 33" H (Top & Bottom)

6FRBIS .1TEB.1BEB

8FRBIS .1TEB.1BEB

12" - 33" H (Top),

36" - 62" H (Bottom)

6FRBIS .1TEB.2BEB

8FRBIS .1TEB.2BEB

Bottom

12" - 33" H

1FRBIS .1B

2FRBIS .1B

36" - 62" H

1FRBIS .2B

2FRBIS .2B

Bottom & End

12" - 33" H

2FRBIS .1B.E

3FRBIS .1B.E

36" - 62" H

2FRBIS .2B.E

3FRBIS .2B.E

Bottom & Ends Both

12" - 33" H

3FRBIS .1B.BEB

4FRBIS .1B.BEB

36" - 62" H

3FRBIS .2B.BEB

4FRBIS .2B.BEB

Dolace Glass Insert

Front

12" - 33" H

1FRDOL1

2FRDOL1

3FRDOL1

4FRDOL1

36" - 62" H

1FRDOL2

2FRDOL2

3FRDOL2

4FRDOL2

Front & End

12" - 33" H

2FRDOL .1E

3FRDOL .1E

36" - 62" H

2FRDOL .2E

3FRDOL .2E

Front & Ends Both

12" - 33" H

3FRDOL .1EB

4FRDOL .1EB

36" - 62" H

3FRDOL .2EB

4FRDOL .2EB

Top

12" - 33" H

1FRDOL .1T

2FRDOL .1T

36" - 62" H

1FRDOL .2T

2FRDOL .2T

Top & End

12" - 33" H

2FRDOL .1T.E

3FRDOL .1T.E

36" - 62" H

2FRDOL .2T.E

3FRDOL .2T.E

Top & Ends Both

12" - 33" H

3FRDOL .1T.TEB

4FRDOL .1T.TEB

Top & Bottom

12" - 33" H (Top & Bottom)

2FRDOL .1T.1B

4FRDOL .1T.1B

12" - 33" H (Top),

36" - 62" H (Bottom)

2FRDOL .1T.2B

4FRDOL .1T.2B

36" - 62" H (Top & Bottom)

2FRDOL .2T.2B

4FRDOL .2T.2B

Top & Bottom & End

12" - 33" H (Top & Bottom)

4FRDOL .1T.1B.TE.BE

6FRDOL .1T.1B.TE.BE

12" - 33" H (Top),

36" - 62" H (Bottom)

4FRDOL .1T.2B.TE.BE

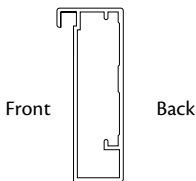
6FRDOL .1T.2B.TE.BE

36" - 62" H (Top & Bottom)

4FRDOL .2T.2B.TE.BE

6FRDOL .2T.2B.TE.BE

Cross-section of frame



Front

Back

- . Brushed aluminum reverse frame door
- . Glass is adhered in front of 2 1/8" frame
- . 5/16" frame reveal in front
- . Frame is visible behind glass that is transparent or translucent
- . For more information on the glass insert choices, find the names within Classic Glass, Etched Glass, Layered Glass and Textured Glass within the Decorative Doors and Inserts section. Example: Bistro Glass Inserts can be found in the Classic Glass section
- . Available in full overlay door styles only
- . Change Width (CW) option **not** available
- . Change Height (CH) option **not** available
- . Aluminum Integrated pulls (3042 or 3043) are recommended for decorative hardware. See Decorative Hardware section
- . See glass door position availability charts in the front of this section for more information
- . Order Example: W1830R-1FRBIS1

Fresco Brushed Aluminum continued

Top & Bottom & Ends Both
12" - 33" H (Top & Bottom)

6FRDOL .1TEB.1BEB
8FRDOL .1TEB.1BEB
12" - 33" H (Top),
36" - 62" H (Bottom)

6FRDOL .1TEB.2BEB
8FRDOL .1TEB.2BEB

Bottom
12" - 33" H

1FRDOL .1B
2FRDOL .1B
36" - 62" H

1FRDOL .2B
2FRDOL .2B

Bottom & End
12" - 33" H

2FRDOL .1B.E
3FRDOL .1B.E

36" - 62" H

2FRDOL .2B.E
3FRDOL .2B.E

Bottom & Ends Both
12" - 33" H

3FRDOL .1B.BEB
4FRDOL .1B.BEB

36" - 62" H

3FRDOL .2B.BEB
4FRDOL .2B.BEB

Mirage Glass Insert
Front

12" - 33" H

1FRMIR1
2FRMIR1

3FRMIR1
4FRMIR1

36" - 62" H

1FRMIR2
2FRMIR2

3FRMIR2
4FRMIR2

Front & End
12" - 33" H

2FRMIR .1E
3FRMIR .1E

36" - 62" H

2FRMIR .2E
3FRMIR .2E

Front & Ends Both
12" - 33" H

3FRMIR .1EB
4FRMIR .1EB

36" - 62" H

3FRMIR .2EB
4FRMIR .2EB

Top
12" - 33" H

1FRMIR .1T
2FRMIR .1T

36" - 62" H

1FRMIR .2T
2FRMIR .2T

Top & End
12" - 33" H

2FRMIR .1T.E
3FRMIR .1T.E

36" - 62" H

2FRMIR .2T.E
3FRMIR .2T.E

Top & Ends Both
12" - 33" H

3FRMIR .1T.TEB
4FRMIR .1T.TEB

Top & Bottom
12" - 33" H (Top & Bottom)

2FRMIR .1T.1B
4FRMIR .1T.1B

12" - 33" H (Top),
36" - 62" H (Bottom)

2FRMIR .1T.2B
4FRMIR .1T.2B

36" - 62" H (Top & Bottom)

2FRMIR .2T.2B
4FRMIR .2T.2B

Top & Bottom & End
12" - 33" H (Top & Bottom)

4FRMIR .1T.1B.TE.BE
6FRMIR .1T.1B.TE.BE

12" - 33" H (Top),
36" - 62" H (Bottom)

4FRMIR .1T.2B.TE.BE
6FRMIR .1T.2B.TE.BE

36" - 62" H (Top & Bottom)

4FRMIR .2T.2B.TE.BE
6FRMIR .2T.2B.TE.BE

Top & Bottom & Ends Both
12" - 33" H (Top & Bottom)

6FRMIR .1TEB.1BEB
8FRMIR .1TEB.1BEB

12" - 33" H (Top),
36" - 62" H (Bottom)

6FRMIR .1TEB.2BEB
8FRMIR .1TEB.2BEB

Bottom
12" - 33" H

1FRMIR .1B
2FRMIR .1B

36" - 62" H

1FRMIR .2B
2FRMIR .2B

Bottom & End
12" - 33" H

2FRMIR .1B.E
3FRMIR .1B.E

36" - 62" H

2FRMIR .2B.E
3FRMIR .2B.E

Bottom & Ends Both
12" - 33" H

3FRMIR .1B.BEB
4FRMIR .1B.BEB

36" - 62" H

3FRMIR .2B.BEB
4FRMIR .2B.BEB

Satina Glass Insert

Front
12" - 33" H

1FRSAT1
2FRSAT1

3FRSAT1
4FRSAT1

36" - 62" H

1FRSAT2
2FRSAT2

3FRSAT2
4FRSAT2

Front & End
12" - 33" H

2FRSAT .1E
3FRSAT .1E

36" - 62" H

2FRSAT .2E
3FRSAT .2E

Front & Ends Both
12" - 33" H

3FRSAT .1EB
4FRSAT .1EB

36" - 62" H

3FRSAT .2EB
4FRSAT .2EB

Top
12" - 33" H

1FRSAT .1T
2FRSAT .1T

36" - 62" H

1FRSAT .2T
2FRSAT .2T

Top & End
12" - 33" H

2FRSAT .1T.E
3FRSAT .1T.E

36" - 62" H

2FRSAT .2T.E
3FRSAT .2T.E

Top & Ends Both
12" - 33" H

3FRSAT .1T.TEB
4FRSAT .1T.TEB

Top & Bottom
12" - 33" H (Top & Bottom)

2FRSAT .1T.1B
4FRSAT .1T.1B

12" - 33" H (Top),
36" - 62" H (Bottom)

2FRSAT .1T.2B
4FRSAT .1T.2B

36" - 62" H (Top & Bottom)

2FRSAT .2T.2B
4FRSAT .2T.2B

Top & Bottom & End
12" - 33" H (Top & Bottom)

4FRSAT .1T.1B.TE.BE
6FRSAT .1T.1B.TE.BE

12" - 33" H (Top),
36" - 62" H (Bottom)

4FRSAT .1T.2B.TE.BE
6FRSAT .1T.2B.TE.BE

36" - 62" H (Top & Bottom)

4FRSAT .2T.2B.TE.BE
6FRSAT .2T.2B.TE.BE

Top & Bottom & Ends Both
12" - 33" H (Top & Bottom)

6FRSAT .1TEB.1BEB
8FRSAT .1TEB.1BEB

12" - 33" H (Top),
36" - 62" H (Bottom)

6FRSAT .1TEB.2BEB
8FRSAT .1TEB.2BEB

Bottom
12" - 33" H

1FRSAT .1B
2FRSAT .1B

36" - 62" H

1FRSAT .2B
2FRSAT .2B

Bottom & End
12" - 33" H

2FRSAT .1B.E
3FRSAT .1B.E

36" - 62" H

2FRSAT .2B.E
3FRSAT .2B.E

Bottom & Ends Both
12" - 33" H

3FRSAT .1B.BEB
4FRSAT .1B.BEB

36" - 62" H

3FRSAT .2B.BEB
4FRSAT .2B.BEB

Silk Glass Insert

Front
12" - 33" H

1FRSLK1
2FRSLK1

3FRSLK1
4FRSLK1

36" - 42" H

1FRSLK2
2FRSLK2

3FRSLK2
4FRSLK2

Front & End
12" - 33" H

2FRSLK .1E
3FRSLK .1E

36" - 42" H

2FRSLK .2E
3FRSLK .2E

Front & Ends Both
12" - 33" H

3FRSLK .1EB
4FRSLK .1EB

36" - 42" H

3FRSLK .2EB
4FRSLK .2EB

Top
12" - 33" H

1FRSLK .1T
2FRSLK .1T

36" - 42" H

1FRSLK .2T
2FRSLK .2T

Top & End
12" - 33" H

2FRSLK .1T.E
3FRSLK .1T.E

36" - 42" H

2FRSLK .2T.E
3FRSLK .2T.E

Top & Ends Both
12" - 33" H

3FRSLK .1T.TEB
4FRSLK .1T.TEB

Top & Bottom
12" - 33" H (Top & Bottom)

2FRSLK .1T.1B
4FRSLK .1T.1B

12" - 33" H (Top),
36" - 42" H (Bottom)

2FRSLK .1T.2B
4FRSLK .1T.2B

Top & Bottom & End
12" - 33" H (Top & Bottom)

4FRSLK .1T.1B.TE.BE
6FRSLK .1T.1B.TE.BE

12" - 33" H (Top),
36" - 42" H (Bottom)

4FRSLK .1T.2B.TE.BE
6FRSLK .1T.2B.TE.BE

Top & Bottom & Ends Both
12" - 33" H (Top & Bottom)

6FRSLK .1TEB.1BEB
8FRSLK .1TEB.1BEB

12" - 33" H (Top),
36" - 42" H (Bottom)

6FRSLK .1TEB.2BEB
8FRSLK .1TEB.2BEB

Bottom
12" - 33" H

1FRSLK .1B
2FRSLK .1B

36" - 42" H

1FRSLK .2B
2FRSLK .2B

Bottom & End
12" - 33" H

2FRSLK .1B.E
3FRSLK .1B.E

36" - 42" H

2FRSLK .2B.E
3FRSLK .2B.E

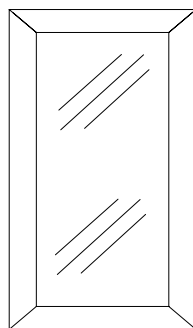
Bottom & Ends Both
12" - 33" H

3FRSLK .1B.BEB
4FRSLK .1B.BEB

36" - 42" H

3FRSLK .2B.BEB
4FRSLK .2B.BEB

Vetro Brushed Aluminum



Cross-section of frame



Front Back

Bistro Glass Insert

Front

12" - 33" H

1VEBIS1

2VEBIS1

3VEBIS1

4VEBIS1

36" - 62" H

1VEBIS2

2VEBIS2

3VEBIS2

4VEBIS2

Front & End

12" - 33" H

2VEBIS .1E

3VEBIS .1E

36" - 62" H

2VEBIS .2E

3VEBIS .2E

Front & Ends Both

12" - 33" H

3VEBIS .1EB

4VEBIS .1EB

36" - 62" H

3VEBIS .2EB

4VEBIS .2EB

Top

12" - 33" H

1VEBIS .1T

2VEBIS .1T

36" - 62" H

1VEBIS .2T

2VEBIS .2T

Top & End

12" - 33" H

2VEBIS .1T.E

3VEBIS .1T.E

36" - 62" H

2VEBIS .2T.E

3VEBIS .2T.E

Top & Ends Both

12" - 33" H

3VEBIS .1T.TEB

4VEBIS .1T.TEB

Top & Bottom

12" - 33" H (Top & Bottom)

2VEBIS .1T.1B

4VEBIS .1T.1B

12" - 33" H (Top),
36" - 62" H (Bottom)

2VEBIS .1T.2B

4VEBIS .1T.2B

36" - 62" H (Top & Bottom)

2VEBIS .2T.2B

4VEBIS .2T.2B

Top & Bottom & End

12" - 33" H (Top & Bottom)

4VEBIS .1T.1B.TE.BE

6VEBIS .1T.1B.TE.BE

12" - 33" H (Top)

36" - 62" (Bottom)

4VEBIS .1T.2B.TE.BE

6VEBIS .1T.2B.TE.BE

36" - 62" H (Top & Bottom)

4VEBIS .2T.2B.TE.BE

6VEBIS .2T.2B.TE.BE

Top & Bottom & Ends Both

12" - 33" H (Top & Bottom)

6VEBIS .1TEB.1BEB

8VEBIS .1TEB.1BEB

36" - 62" H (Top & Bottom)

6VEBIS .1TEB.2BEB

8VEBIS .1TEB.2BEB

Bottom

12" - 33" H

1VEBIS .1B

2VEBIS .1B

36" - 62" H

1VEBIS .2B

2VEBIS .2B

Bottom & End

12" - 33" H

2VEBIS .1B.E

3VEBIS .1B.E

36" - 62" H

2VEBIS .2B.E

3VEBIS .2B.E

Bottom & Ends Both

12" - 33" H

3VEBIS .1B.BEB

4VEBIS .1B.BEB

36" - 62" H

3VEBIS .2B.BEB

4VEBIS .2B.BEB

Dolace Glass Insert

Front

12" - 33" H

1VEDOL1

2VEDOL1

3VEDOL1

4VEDOL1

36" - 62" H

1VEDOL2

2VEDOL2

3VEDOL2

4VEDOL2

Front & End

12" - 33" H

2VEDOL .1E

3VEDOL .1E

36" - 62" H

2VEDOL .2E

3VEDOL .2E

Front & Ends Both

12" - 33" H

3VEDOL .1EB

4VEDOL .1EB

36" - 62" H

3VEDOL .2EB

4VEDOL .2EB

Top

12" - 33" H

1VEDOL .1T

2VEDOL .1T

36" - 62" H

1VEDOL .2T

2VEDOL .2T

Top & End

12" - 33" H

2VEDOL .1T.E

3VEDOL .1T.E

36" - 62" H

2VEDOL .2T.E

3VEDOL .2T.E

Top & Ends Both

12" - 33" H

3VEDOL .1T.TEB

4VEDOL .1T.TEB

Top & Bottom

12" - 33" H (Top & Bottom)

2VEDOL .1T.1B

4VEDOL .1T.1B

12" - 33" H (Top),
36" - 62" H (Bottom)

2VEDOL .1T.2B

4VEDOL .1T.2B

36" - 62" H (Top & Bottom)

2VEDOL .2T.2B

4VEDOL .2T.2B

Top & Bottom & End

12" - 33" H (Top & Bottom)

4VEDOL .1T.1B.TE.BE

6VEDOL .1T.1B.TE.BE

12" - 33" H (Top),
36" - 62" H (Bottom)

4VEDOL .1T.2B.TE.BE

6VEDOL .1T.2B.TE.BE

36" - 62" H (Top & Bottom)

4VEDOL .2T.2B.TE.BE

6VEDOL .2T.2B.TE.BE

Top & Bottom & Ends Both

12" - 33" H (Top & Bottom)

6VEDOL .1TEB.1BEB

8VEDOL .1TEB.1BEB

12" - 33" H (Top),
36" - 62" H (Bottom)

6VEDOL .1TEB.2BEB

8VEDOL .1TEB.2BEB

Bottom

12" - 33" H

1VEDOL .1B

2VEDOL .1B

36" - 62" H

1VEDOL .2B

2VEDOL .2B

Bottom & End

12" - 33" H

2VEDOL .1B.E

3VEDOL .1B.E

36" - 62" H

2VEDOL .2B.E

3VEDOL .2B.E

Bottom & Ends Both

12" - 33" H

3VEDOL .1B.BEB

4VEDOL .1B.BEB

36" - 62" H

3VEDOL .2B.BEB

4VEDOL .2B.BEB

Mirage Glass Insert

Front

12" - 33" H

1VEMIR1

2VEMIR1

3VEMIR1

4VEMIR1

36" - 62" H

1VEMIR2

2VEMIR2

3VEMIR2

4VEMIR2

Front & End

12" - 33" H

2VEMIR .1E

3VEMIR .1E

36" - 62" H

2VEMIR .2E

3VEMIR .2E

Front & Ends Both

12" - 33" H

3VEMIR .1EB

4VEMIR .1EB

36" - 62" H

3VEMIR .2EB

4VEMIR .2EB

- . Brushed aluminum 2 1/8" frame
- . Glass is adhered within the frame
- . For more information on the glass insert choices, find the names within Classic Glass, Etched Glass, Layered Glass and Textured Glass within the Decorative Doors and Inserts section. Example: Bistro Glass Inserts can be found in the Classic Glass section
- . Available in full overlay door styles only
- . Change Width (CW) option *not* available
- . Change Height (CH) option *not* available
- . Aluminum Integrated pulls (3042 or 3043) are recommended for decorative hardware. See Decorative Hardware section
- . See glass door position availability charts in the front of this section for more information
- . Order Example: W3030-2VEBIS1

Vetro Brushed Aluminum continued

Top
12" - 33" H

1VEMIR .1T
2VEMIR .1T

36" - 62" H
1VEMIR .2T
2VEMIR .2T

Top & End
12" - 33" H
2VEMIR .1T.E
3VEMIR .1T.E

36" - 62" H
2VEMIR .2T.E
3VEMIR .2T.E

Top & Ends Both
12" - 33" H
3VEMIR .1T.TEB
4VEMIR .1T.TEB

Top & Bottom
12" - 33" H (Top & Bottom)
2VEMIR .1T.1B
4VEMIR .1T.1B

12" - 33" H (Top),
36" - 62" H (Bottom)
2VEMIR .1T.2B
4VEMIR .1T.2B

36" - 62" H (Top & Bottom)
2VEMIR .2T.2B
4VEMIR .2T.2B

Top & Bottom & End
12" - 33" H (Top & Bottom)
4VEMIR .1T.1B.TE.BE
6VEMIR .1T.1B.TE.BE

12" - 33" H (Top),
36" - 62" H (Bottom)
4VEMIR .1T.2B.TE.BE
6VEMIR .1T.2B.TE.BE

36" - 62" H (Top & Bottom)
4VEMIR .2T.2B.TE.BE
6VEMIR .2T.2B.TE.BE

Top & Bottom & Ends Both
12" - 33" H (Top & Bottom)
6VEMIR .1TEB.1BEB
8VEMIR .1TEB.1BEB

12" - 33" H (Top),
36" - 62" H (Bottom)
6VEMIR .1TEB.2BEB
8VEMIR .1TEB.2BEB

Bottom
12" - 33" H
1VEMIR .1B
2VEMIR .1B

36" - 62" H
1VEMIR .2B
2VEMIR .2B

Bottom & End
12" - 33" H
2VEMIR .1B.E
3VEMIR .1B.E

36" - 62" H
2VEMIR .2B.E
3VEMIR .2B.E

Bottom & Ends Both
12" - 33" H
3VEMIR .1B.BEB
4VEMIR .1B.BEB

36" - 62" H
3VEMIR .2B.BEB
4VEMIR .2B.BEB

Satina Glass Insert
Front
12" - 33" H
1VESAT1
2VESAT1
3VESAT1
4VESAT1

36" - 62" H
1VESAT2
2VESAT2
3VESAT2
4VESAT2

Front & End
12" - 33" H
2VESAT .1E
3VESAT .1E

36" - 62" H
2VESAT .2E
3VESAT .2E

Front & Ends Both
12" - 33" H
3VESAT .1EB
4VESAT .1EB

36" - 62" H
3VESAT .2EB
4VESAT .2EB

Top
12" - 33" H
1VESAT .1T
2VESAT .1T

36" - 62" H
1VESAT .2T
2VESAT .2T

Top & End
12" - 33" H
2VESAT .1T.E
3VESAT .1T.E

36" - 62" H
2VESAT .2T.E
3VESAT .2T.E

Top & Ends Both
12" - 33" H
3VESAT .1T.TEB
4VESAT .1T.TEB

Top & Bottom
12" - 33" H (Top & Bottom)
2VESAT .1T.1B
4VESAT .1T.1B

12" - 33" H (Top),
36" - 62" H (Bottom)
2VESAT .1T.2B
4VESAT .1T.2B

36" - 62" H
2VESAT .2T.2B
4VESAT .2T.2B

36" - 62" H (Top & Bottom)
2VESAT .2T.2B
4VESAT .2T.2B

Top & Bottom & End
12" - 33" H (Top & Bottom)
4VESAT .1T.1B.TE.BE
6VESAT .1T.1B.TE.BE

12" - 33" H (Top),
36" - 62" H (Bottom)
4VESAT .1T.2B.TE.BE
6VESAT .1T.2B.TE.BE

36" - 62" H (Top & Bottom)
4VESAT .2T.2B.TE.BE
6VESAT .2T.2B.TE.BE

Top & Bottom & Ends Both
12" - 33" H (Top & Bottom)
6VESAT .1TEB.1BEB
8VESAT .1TEB.1BEB

12" - 33" H (Top),
36" - 62" H (Bottom)
6VESAT .1TEB.2BEB
8VESAT .1TEB.2BEB

Bottom
12" - 33" H
1VESAT .1B
2VESAT .1B

36" - 62" H
1VESAT .2B
2VESAT .2B

Bottom & End
12" - 33" H
2VESAT .1B.E
3VESAT .1B.E

36" - 62" H
2VESAT .2B.E
3VESAT .2B.E

Bottom & Ends Both
12" - 33" H
3VESAT .1B.BEB
4VESAT .1B.BEB

36" - 62" H
3VESAT .2B.BEB
4VESAT .2B.BEB

Silk Glass Insert
Front
12" - 33" H
1VESLK1
2VESLK1
3VESLK1
4VESLK1

36" - 42" H
1VESLK2
2VESLK2
3VESLK2
4VESLK2

Front & End
12" - 33" H
2VESLK .1E
3VESLK .1E

36" - 42" H
2VESLK .2E
3VESLK .2E

Front & Ends Both
12" - 33" H
3VESLK .1EB
4VESLK .1EB

36" - 42" H
3VESLK .2EB
4VESLK .2EB

Top
12" - 33" H
1VESLK .1T
2VESLK .1T

36" - 42" H
1VESLK .2T
2VESLK .2T

Top & End
12" - 33" H
2VESLK .1T.E
3VESLK .1T.E

36" - 42" H
2VESLK .2T.E
3VESLK .2T.E

Top & Ends Both
12" - 33" H
3VESLK .1T.TEB
4VESLK .1T.TEB

Top & Bottom
12" - 33" H (Top & Bottom)
2VESLK .1T.1B
4VESLK .1T.1B

12" - 33" H (Top),
36" - 42" H (Bottom)
2VESLK .1T.2B
4VESLK .1T.2B

Top & Bottom & End
12" - 33" H (Top & Bottom)
4VESLK .1T.1B.TE.BE
6VESLK .1T.1B.TE.BE

12" - 33" H (Top),
36" - 42" H (Bottom)
4VESLK .1T.2B.TE.BE
6VESLK .1T.2B.TE.BE

Top & Bottom & Ends Both
12" - 33" H (Top & Bottom)
6VESLK .1TEB.1BEB
8VESLK .1TEB.1BEB

12" - 33" H (Top),
36" - 42" H (Bottom)
6VESLK .1TEB.2BEB
8VESLK .1TEB.2BEB

Bottom
12" - 33" H
1VESLK .1B
2VESLK .1B

36" - 42" H
1VESLK .2B
2VESLK .2B

Bottom & End
12" - 33" H
2VESLK .1B.E
3VESLK .1B.E

36" - 42" H
2VESLK .2B.E
3VESLK .2B.E

Camed Glass

Camed glass designs use cut glass and zinc caming to create an artistic statement. The lines of the caming add stylish detail while creating visual interruptions in the glass and the objects displayed behind it.

3	YKS	2
quantity	code	height code

Camed glass is available in most door styles, in sizes from 12" wide and up to 42" high.

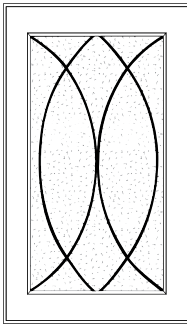
Glass inserts are ordered individually. Place quantity before order code. See examples for individual items.

Material dimensions listed may vary slightly from actual dimensions of the product.

See Construction Options section for specific information on each glass type.

Specifications subject to change without notice.

Classic Camed Insert



Front & Top
15" - 33" H

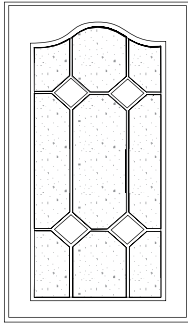
1CLI1
2CLI1
3CLI1
4CLI1

Front & Top
36" - 42" H

1CLI2
2CLI2
3CLI2
4CLI2

- . Lightly textured satin glass
- . Blackened Pewter Zinc Caming
- . Only available in doors 15" wide and wider
- . Recommended for square door styles only
- . Available in full overlay door styles only
- . **Not** available in High-Gloss Foil door styles
- . **Not** available in Wood-Grain Foil slab door styles
- . Change Width (CW) option **not** available
- . Change Height (CH) option **not** available
- . Order Example: W3036-2CLI2

Palisades Insert

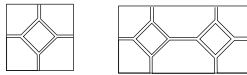


Front & Top
12" - 33" H

1PAL1
2PAL1
3PAL1
4PAL1

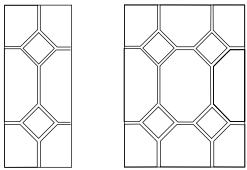
Front & Top
36" - 42" H

1PAL2
2PAL2
3PAL2
4PAL2



A

B



C

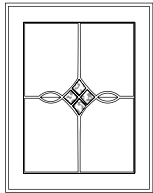
D

Cabinet Width	Cabinet Height			
	12	15	18	21-42
12	A	A	C	C
15-36	B	B	D	D
24BUTT	A	A	C	C
27BUTT*	A	A	C	C
30BUTT	B	B	D	D
33	B	B	D	D
34BUTT		B	D	D
36BUTT	B	B	D	D
37BUTT		B	D	D
39-48	B	B	D	D
WA24/27	B	B	D	D
(W)EZR24/36				C
WCA12		B	D	D

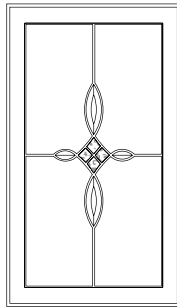
* 2 diamonds wide on full overlay w/stiles and rails 2 1/4" or less.

- . Clear seeded glass
- . Clear bevel diamond(s)
- . Zinc caming
- . **Not** available in High-Gloss Foil door styles
- . **Not** available in Wood-Grain Foil slab door styles
- . Change Width (CW) option **not** available
- . Change Height (CH) option **not** available
- . Order Example: W1830L-1PAL1

Penrose Insert



Full Overlay doors
18" or less in height
with rails larger
than 2 1/4" and
1/2" Overlay doors
18" or less in height



Front & Top
12" - 33" H

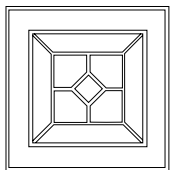
1PEN1
2PEN1
3PEN1
4PEN1

Front & Top
36" - 42" H

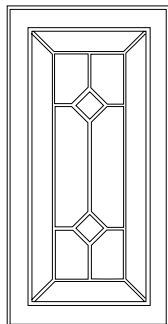
1PEN2
2PEN2
3PEN2
4PEN2

- . Clear glass
- . Coarse pebbled glass center diamonds
- . Clear beveled ovals
- . Zinc caming
- . **Not** available in High-Gloss Foil door styles
- . **Not** available in Wood-Grain Foil slab door styles
- . 12" wide by 18" high full overlay doors are only available if they have 2 3/16" or 2 1/4" stiles and rails
- . BUTT doors 24" wide **must** be 24" high or higher
- . No side petals on 24" BUTT doors
- . Change Width (CW) option **not** available
- . Change Height (CH) option **not** available
- . Order Example: W1830R-1PEN1

Victorian Insert



Doors 15" or less
in height



Front & Top
12" - 33" H

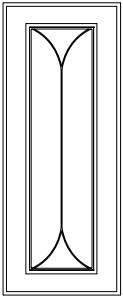
1VIC1
2VIC1
3VIC1
4VIC1

Front & Top
36" - 42" H

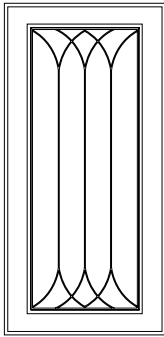
1VIC2
2VIC2
3VIC2
4VIC2

- . Clear glass
- . Clear bevel diamond(s)
- . Zinc caming
- . Recommended for square door styles only
- . **Not** available in High-Gloss Foil door styles
- . **Not** available in Wood-Grain Foil slab door styles
- . Change Width (CW) option **not** available
- . Change Height (CH) option **not** available
- . Order Example: W3030R-2VIC1

Yorkshire Insert



Doors 12" wide



Front & Top
18" - 33" H

1YKS1

2YKS1

3YKS1

4YKS1

Front & Top
36" - 42" H

1YKS2

2YKS2

3YKS2

4YKS2

- Clear glass with Baroque style Zinc Caming
- **Not** available in High-Gloss Foil door styles
- **Not** available in Wood-Grain Foil slab door styles
- Change Width (CW) option **not** available
- Change Height (CH) option **not** available
- Order Example: W1830R-1YKS1

Classic Glass

Classic glass is simple, clean and timeless. Designs feature minimal patterns and textures. The choice of clear glass, with or without simple bevels, maximizes interior visibility.

Classic glass is available in most door styles, in sizes from 12" wide and up to 62" high.

Glass inserts are ordered individually. Place quantity before order code. See examples for individual items.

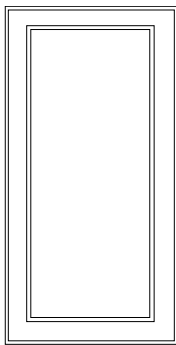
Material dimensions listed may vary slightly from actual dimensions of the product.

See Construction Options section for specific information on each glass type.

Specifications subject to change without notice.

2	BIS	2
quantity	code	height code

Bistro Insert



Front
12" - 33" H

1BIS1
2BIS1
3BIS1
4BIS1

36" - 62" H
1BIS2
2BIS2
3BIS2
4BIS2

Front & End
12" - 33" H

2BIS .1E
3BIS .1E

36" - 62" H
2BIS .2E
3BIS .2E

Front & Ends Both
12" - 33" H

3BIS .1EB
4BIS .1EB

36" - 62" H
3BIS .2EB
4BIS .2EB

Top
12" - 33" H

1BIS .1T
2BIS .1T

36" - 62" H
1BIS .2T
2BIS .2T

Top & End
12" - 33" H

2BIS .1T.E
3BIS .1T.E

36" - 62" H
2BIS .2T.E
3BIS .2T.E

Top & Ends Both
12" - 33" H

3BIS .1T.TEB
4BIS .1T.TEB

Top & Bottom
12" - 33" H (Top & Bottom)

2BIS .1T.1B
4BIS .1T.1B

12" - 33" H (Top)
36" - 62" H (Bottom)

2BIS .1T.2B
4BIS .1T.2B

36" - 62" H (Top & Bottom)

2BIS .2T.2B
4BIS .2T.2B

Top & Bottom & End
12" - 33" H (Top & Bottom)

4BIS .1T.1B.TE.BE
6BIS .1T.1B.TE.BE

12" - 33" H (Top),
36" - 62" H (Bottom)

4BIS .1T.2B.TE.BE
6BIS .1T.2B.TE.BE

36" - 62" H (Top & Bottom)

4BIS .2T.2B.TE.BE
6BIS .2T.2B.TE.BE

Top & Bottom & Ends Both
12" - 33" H (Top & Bottom)

6BIS .1TEB.1BEB
8BIS .1TEB.1BEB

12" - 33" H (Top),
36" - 62" H (Bottom)

6BIS .1TEB.2BEB
8BIS .1TEB.2BEB

Bottom
12" - 33" H

1BIS .1B
2BIS .1B

36" - 62" H
1BIS .2B
2BIS .2B

Bottom & End
12" - 33" H

2BIS .1B.E
3BIS .1B.E

36" - 62" H
2BIS .2B.E
3BIS .2B.E

Bottom & Ends Both
12" - 33" H

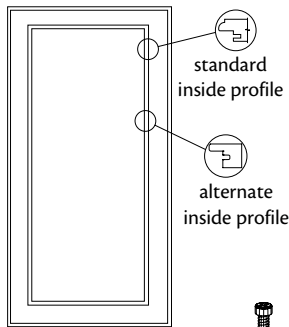
3BIS .1B.BEB
4BIS .1B.BEB

36" - 62" H

3BIS .2B.BEB
4BIS .2B.BEB

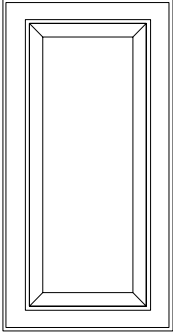
- Clear tempered glass
- **Not** available in High-Gloss Foil door styles
- **Not** available in Wood-Grain Foil slab door styles
- See glass door position availability charts in the front of this section for more information
- Order Example: W1830R-1BIS1

Prepared for Glass

*Front***1DRS .PREP****2DRS .PREP****3DRS .PREP****4DRS .PREP***Front & End***2DRS .PREP.E****3DRS .PREP.E***Front & Ends Both***3DRS .PREP.EB****4DRS .PREP.EB***Top***1DRS .PREP.T****2DRS .PREP.T***Top & End***2DRS .PREP.T.E****3DRS .PREP.T.E***Top & Ends Both***3DRS .PREP.T.TEB****4DRS .PREP.T.TEB***Top & Bottom***2DRS .PREP.T.B****4DRS .PREP.T.B***Top & Bottom & End***4DRS .PREP.T.B.TE.BE****6DRS .PREP.T.B.TE.BE***Top & Bottom & Ends Both***6DRS .PREP.TEB.BEB****8DRS .PREP.TEB.BEB***Bottom***1DRS .PREP.B****2DRS .PREP.B***Bottom & End***2DRS .PREP.B.E****3DRS .PREP.B.E***Bottom & Ends Both***3DRS .PREP.B.BEB****4DRS .PREP.B.BEB**

- We will prepare most doors up to 42" for customer supplied glass
- Glass clips included
- 9" wide doors **cannot** be prep for glass or inserts
- **Not** available in High-Gloss Foil door styles
- **Not** available in Wood-Grain Foil slab door styles
- See glass door position availability charts in the front of this section for more information
- Order Example: W1830R-1DRS.PREP

Prism Insert



Front
12" - 33" H
1PRI1
2PRI1
3PRI1
4PRI1

Front
36" - 62" H
1PRI2
2PRI2
3PRI2
4PRI2

Front & End
12" - 33" H
2PRI .1E
3PRI .1E

Front & End
36" - 62" H
2PRI .2E
3PRI .2E

Front & Ends Both
12" - 33" H
3PRI .1EB
4PRI .1EB

Front & Ends Both
36" - 62" H
3PRI .2EB
4PRI .2EB

Top
12" - 33" H
1PRI .1T
2PRI .1T

Top
36" - 62" H
1PRI .2T
2PRI .2T

Top & End
12" - 33" H
2PRI .1T.E
3PRI .1T.E

Top & End
36" - 62" H
2PRI .2T.E
3PRI .2T.E

Top & Ends Both
12" - 33" H
3PRI .1T.TEB
4PRI .1T.TEB

Top & Bottom
12" - 33" H (Top & Bottom)
2PRI .1T.1B
4PRI .1T.1B

Top & Bottom
12" - 33" H (Top),
36" - 62" H (Bottom)
2PRI .1T.2B
4PRI .1T.2B

Top & Bottom
36" - 62" H (Top & Bottom)
2PRI .2T.2B
4PRI .2T.2B

Top & Bottom & End
12" - 33" H (Top & Bottom)
4PRI .1T.1B.TE.BE
6PRI .1T.1B.TE.BE

Top & Bottom & End
12" - 33" H (Top),
36" - 62" H (Bottom)
4PRI .1T.2B.TE.BE
6PRI .1T.2B.TE.BE

Top & Bottom & End
36" - 62" H (Top & Bottom)
4PRI .2T.2B.TE.BE
6PRI .2T.2B.TE.BE

Top & Bottom & Ends Both
12" - 33" H (Top & Bottom)
6PRI .1TEB.1BEB
8PRI .1TEB.1BEB

Top & Bottom & Ends Both
12" - 33" H (Top),
36" - 62" H (Bottom)
6PRI .1TEB.2BEB
8PRI .1TEB.2BEB

Bottom
12" - 33" H
1PRI .1B
2PRI .1B

Bottom
36" - 62" H
1PRI .2B
2PRI .2B

Bottom & End
12" - 33" H
2PRI .1B.E
3PRI .1B.E

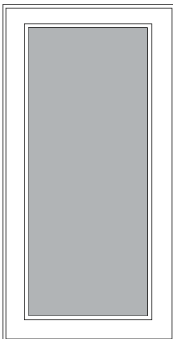
Bottom & End
36" - 62" H
2PRI .2B.E
3PRI .2B.E

Bottom & Ends Both
12" - 33" H
3PRI .1B.BEB
4PRI .1B.BEB

Bottom & Ends Both
36" - 62" H
3PRI .2B.BEB
4PRI .2B.BEB

- . 1 1/4" bevel
- . All clear tempered beveled glass
- . **Not** available in arch door styles
- . **Not** available with applied molding doors
- . **Not** available in High-Gloss Foil door styles
- . **Not** available in Wood-Grain Foil slab door styles
- . Change Width (CW) option **not** available
- . Change Height (CH) option **not** available
- . See glass door position availability charts in the front of this section for more information
- . Order Example: W1842R-1PRI2

Shadow Insert



Front & Top
12" - 33" H
1SHW1
2SHW1
3SHW1
4SHW1

Front & Top
36" - 62" H
1SHW2
2SHW2
3SHW2
4SHW2

- . Tinted tempered glass
- . **Not** available in High-Gloss Foil door styles
- . **Not** available in Wood-Grain Foil slab door styles
- . Order Example: W1830R-1BIS1

Etched Glass

These glass designs offer etched linear patterns or an overall fine, sanded texture into which a pattern or shape is etched. Patterns range from mullions to simple shapes. Visibility of cabinetry interiors is possible when some areas of the glass are left unetched.

1	PRA	1
quantity	code	height code

Etched glass is available in most door styles, in sizes from 12" wide and up to 62" high.

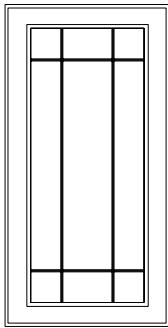
Glass inserts are ordered individually. Place quantity before order code. See examples for individual items.

Material dimensions listed may vary slightly from actual dimensions of the product.

See Construction Options section for specific information on each glass type.

Specifications subject to change without notice.

Crossroads Insert



Front & Top
15" - 33" H

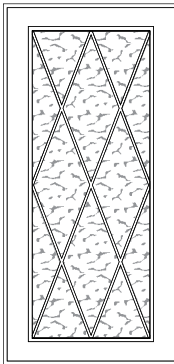
1CRO1
2CRO1
3CRO1
4CRO1

Front & Top
36" - 62" H

1CRO2
2CRO2
3CRO2
4CRO2

- . Clear tempered glass
- . 3/16" frosted etched groove
- . Recommended for square door styles only
- . Only available on doors 15" wide or wider
- . **Not** available in High-Gloss Foil door styles
- . Change Width (CW) option **not** available
- . Change Height (CH) option **not** available
- . Order Example: W1830L-1CRO1

Lisbon Insert



Front & Top
12" - 33" H

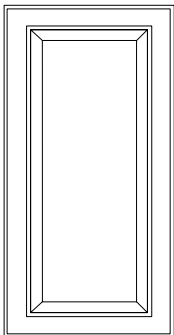
1LIS1
2LIS1
3LIS1
4LIS1

Front & Top
36" - 62" H

1LIS2
2LIS2
3LIS2
4LIS2

- . Obscure safety glass
- . 3/8" silhouette etched groove with polished center and frosted edges
- . **Not** available in High-Gloss Foil door styles
- . **Not** available in Wood-Grain Foil slab door styles
- . Change Width (CW) option **not** available
- . Change Height (CH) option **not** available
- . Order Example: W1830R-1LIS1

Modern Frosted Insert



Front & Top
12" - 33" H

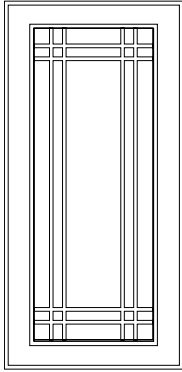
1MRF1
2MRF1
3MRF1
4MRF1

Front & Top
36" - 62" H

1MRF2
2MRF2
3MRF2
4MRF2

- . Etched tempered glass
- . 1" clear bevel
- . Available in full overlay door styles only
- . **Not** available in High-Gloss Foil door styles
- . **Not** available in Wood-Grain Foil slab door styles
- . **Not** available in arch door styles
- . **Not** available with applied molding doors
- . Change Width (CW) option **not** available
- . Change Height (CH) option **not** available
- . Order Example: W1830R-1MRF1

Prairie Insert



Front & Top
12" - 33" H

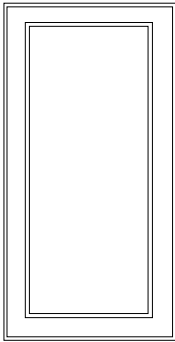
1PRA1
2PRA1
3PRA1
4PRA1

Front & Top
36" - 62" H

1PRA2
2PRA2
3PRA2
4PRA2

- . Clear safety glass
- . 3/8" etched polished V-Groove
- . Recommended for square door styles only
- . **Not** available in High-Gloss Foil door styles
- . **Not** available in Wood-Grain Foil slab door styles
- . Change Width (CW) option **not** available
- . Change Height (CH) option **not** available
- . Order Example: W1830R-1PRA1

Satina Insert



Front
12" - 33" H

1SAT1
2SAT1
3SAT1
4SAT1

Front
36" - 54" H

1SAT2
2SAT2
3SAT2
4SAT2

Front & End
12" - 33" H

2SAT .1E
3SAT .1E

Front & End
36" - 62" H

2SAT .2E
3SAT .2E

Front & Ends Both
12" - 33" H

3SAT .1EB
4SAT .1EB

Front & Ends Both
36" - 62" H

3SAT .2EB
4SAT .2EB

Top
12" - 33" H

1SAT .1T
2SAT .1T

Top
36" - 62" H

1SAT .2T
2SAT .2T

Top & End
12" - 33" H

2SAT .1T.E
3SAT .1T.E

Top & End
36" - 62" H

2SAT .2T.E
3SAT .2T.E

Top & Ends Both
12" - 33" H

3SAT .1T.TEB

4SAT .1T.TEB

Top & Bottom
12" - 33" H (Top & Bottom)

2SAT .1T.1B
4SAT .1T.1B

Top & Bottom
12" - 33" H (Top),
36" - 62" H (Bottom)

2SAT .1T.2B
4SAT .1T.2B

Top & Bottom
36" - 62" H (Top & Bottom)

2SAT .2T.2B
4SAT .2T.2B

Top & Bottom & End
12" - 33" H (Top & Bottom)

4SAT .1T.1B.TE.BE
6SAT .1T.1B.TE.BE

Top & Bottom & End
12" - 33" H (Top),
36" - 62" H (Bottom)

4SAT .1T.2B.TE.BE
6SAT .1T.2B.TE.BE

Top & Bottom & End
36" - 62" H (Top & Bottom)

4SAT .2T.2B.TE.BE
6SAT .2T.2B.TE.BE

Top & Bottom & Ends Both
12" - 33" H (Top & Bottom)

6SAT .1TEB.1BEB
8SAT .1TEB.1BEB

Top & Bottom & Ends Both
12" - 33" H (Top),
36" - 62" H (Bottom)

6SAT .1TEB.2BEB
8SAT .1TEB.2BEB

Bottom
12" - 33" H

1SAT .1B
2SAT .1B

Bottom
36" - 62" H

1SAT .2B
2SAT .2B

Bottom & End
12" - 33" H

2SAT .1B.E
3SAT .1B.E

Bottom & End
36" - 62" H

2SAT .2B.E
3SAT .2B.E

Bottom & Ends Both
12" - 33" H

3SAT .1B.BEB
4SAT .1B.BEB

Bottom & Ends Both
36" - 62" H

3SAT .2B.BEB
4SAT .2B.BEB

- . Etched tempered glass
- . **Not** available in High-Gloss Foil door styles
- . **Not** available in Wood-Grain Foil slab door styles
- . See glass door position availability charts in the front of this section for more information
- . Order Example: PW1836R-2SAT2

Layered Glass

Layered glass combines the durability of tempered glass with a choice of unique materials to create a special effect through color or pattern. The material is "sandwiched" between the glass layers for easy cleaning.

2	MIR	1
quantity	code	height code

Layered glass is available in most door styles, in sizes from 12" wide and up to 62" high.

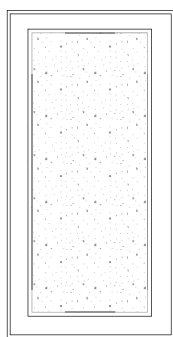
Glass inserts are ordered individually. Place quantity before order code. See examples for individual items.

Material dimensions listed may vary slightly from actual dimensions of the product.

See Construction Options section for specific information on each glass type.

Specifications subject to change without notice.

Antiquity Insert



Front
12" - 33" H

1ATQ1
2ATQ1
3ATQ1
4ATQ1

Front
36" - 62" H

1ATQ2
2ATQ2
3ATQ2
4ATQ2

Front & End
12" - 33" H

2ATQ .1E
3ATQ .1E

Front & End
36" - 62" H

2ATQ .2E
3ATQ .2E

Front & Ends Both
12" - 33" H

3ATQ .1EB
4ATQ .1EB

Front & Ends Both
36" - 62" H

3ATQ .2EB
4ATQ .2EB

Top
12" - 33" H

1ATQ .1T
2ATQ .1T

Top
36" - 62" H

1ATQ .2T
2ATQ .2T

Top & End
12" - 33" H

2ATQ .1T.E
3ATQ .1T.E

Top & End
36" - 62" H

2ATQ .2T.E
3ATQ .2T.E

Top & Ends Both
12" - 33" H

3ATQ .1T.TEB
4ATQ .1T.TEB

Top & Bottom
12" - 33" H (Top & Bottom)

2ATQ .1T.1B
4ATQ .1T.1B

Top & Bottom
12" - 33" H (Top),
36" - 62" H (Bottom)

2ATQ .1T.2B
4ATQ .1T.2B

Top & Bottom
36" - 62" H (Top & Bottom)

2ATQ .2T.2B
4ATQ .2T.2B

Top & Bottom & End
12" - 33" H (Top & Bottom)

4ATQ .1T.1B.TE.BE
6ATQ .1T.1B.TE.BE

Top & Bottom & End
12" - 33" H (Top),
36" - 62" H (Bottom)

4ATQ .1T.2B.TE.BE
6ATQ .1T.2B.TE.BE

Top & Bottom & End
36" - 62" H (Top & Bottom)

4ATQ .2T.2B.TE.BE
6ATQ .2T.2B.TE.BE

Top & Bottom & Ends Both
12" - 33" H (Top & Bottom)

6ATQ .1TEB.1BEB
8ATQ .1TEB.1BEB

Top & Bottom & Ends Both
12" - 33" H (Top),
36" - 62" H (Bottom)

6ATQ .1TEB.2BEB
8ATQ .1TEB.2BEB

Bottom
12" - 33" H

1ATQ .1B
2ATQ .1B

Bottom
36" - 62" H

1ATQ .2B
2ATQ .2B

Bottom & End
12" - 33" H

2ATQ .1B.E
3ATQ .1B.E

Bottom & End
36" - 62" H

2ATQ .2B.E
3ATQ .2B.E

Bottom & Ends Both
12" - 33" H

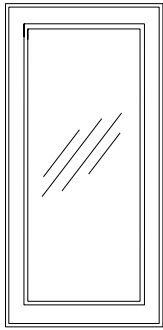
3ATQ .1B.BEB
4ATQ .1B.BEB

Bottom & Ends Both
36" - 62" H

3ATQ .2B.BEB
4ATQ .2B.BEB

- Clear film laminated between pieces of obscured clear glass with droplet (seeded) impressions throughout
- **Not** available in High-Gloss Foil door styles
- **Not** available in Wood-Grain Foil slab door styles
- See glass door position availability charts in the front of this section for more information
- Order Example: W1830R-1ATQ1

Mirage Insert



Front
12" - 33" H

1MIR1
2MIR1
3MIR1
4MIR1

36" - 62" H

1MIR2
2MIR2
3MIR2
4MIR2

Front & End
12" - 33" H

2MIR .1E
3MIR .1E

36" - 62" H

2MIR .2E
3MIR .2E

Front & Ends Both
12" - 33" H

3MIR .1EB
4MIR .1EB

36" - 62" H

3MIR .2EB
4MIR .2EB

Top
12" - 33" H

1MIR .1T
2MIR .1T

36" - 62" H

1MIR .2T
2MIR .2T

Top & End
12" - 33" H

2MIR .1T.E
3MIR .1T.E

36" - 62" H

2MIR .2T.E
3MIR .2T.E

Top & Ends Both
12" - 33" H

3MIR .1T.TEB
4MIR .1T.TEB

Top & Bottom
12" - 33" H (Top & Bottom)

2MIR .1T.1B
4MIR .1T.1B

12" - 33" H (Top),
36" - 62" H (Bottom)

2MIR .1T.2B
4MIR .1T.2B

36" - 62" H (Top & Bottom)

2MIR .2T.2B
4MIR .2T.2B

Top & Bottom & End
12" - 33" H (Top & Bottom)

4MIR .1T.1B.TE.BE
6MIR .1T.1B.TE.BE

12" - 33" H (Top),
36" - 62" H (Bottom)

4MIR .1T.2B.TE.BE
6MIR .1T.2B.TE.BE

36" - 62" H (Top & Bottom)

4MIR .2T.2B.TE.BE
6MIR .2T.2B.TE.BE

Top & Bottom & Ends Both
12" - 33" H (Top & Bottom)

6MIR .1TEB.1BEB
8MIR .1TEB.1BEB

12" - 33" H (Top),
36" - 62" H (Bottom)

6MIR .1TEB.2BEB
8MIR .1TEB.2BEB

Bottom
12" - 33" H

1MIR .1B
2MIR .1B

36" - 62" H

1MIR .2B
2MIR .2B

Bottom & End
12" - 33" H

2MIR .1B.E
3MIR .1B.E

36" - 62" H

2MIR .2B.E
3MIR .2B.E

Bottom & Ends Both
12" - 33" H

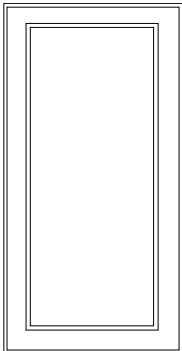
3MIR .1B.BEB
4MIR .1B.BEB

36" - 62" H

3MIR .2B.BEB
4MIR .2B.BEB

- Mirrored glass
- **Not** available in High-Gloss Foil door styles
- **Not** available in Wood-Grain Foil slab door styles
- See glass door position availability charts in the front of this section for more information
- Order Example: W1830R-1MIR1

Silk Insert



Front
12" - 33" H

1SLK1
2SLK1
3SLK1
4SLK1

36" - 62" H

1SLK2
2SLK2
3SLK2
4SLK2

Front & End
12" - 33" H

2SLK .1E
3SLK .1E

36" - 62" H

2SLK .2E
3SLK .2E

Front & Ends Both
12" - 33" H

3SLK .1EB
4SLK .1EB

36" - 62" H

3SLK .2EB
4SLK .2EB

Top
12" - 33" H

1SLK .1T
2SLK .1T

36" - 62" H

1SLK .2T
2SLK .2T

Top & End
12" - 33" H

2SLK .1T.E
3SLK .1T.E

36" - 62" H

2SLK .2T.E
3SLK .2T.E

Top & Ends Both
12" - 33" H

3SLK .1T.TEB
4SLK .1T.TEB

Top & Bottom
12" - 33" H (Top & Bottom)

2SLK .1T.1B
4SLK .1T.1B

12" - 33" H (Top),
36" - 62" H (Bottom)

2SLK .1T.2B
4SLK .1T.2B

36" - 62" H (Top & Bottom)

2SLK .2T.2B
4SLK .2T.2B

Top & Bottom & End
12" - 33" H (Top & Bottom)

4SLK .1T.1B.TE.BE
6SLK .1T.1B.TE.BE

12" - 33" H (Top),
36" - 62" H (Bottom)

4SLK .1T.2B.TE.BE
6SLK .1T.2B.TE.BE

36" - 62" H (Top & Bottom)

4SLK .2T.2B.TE.BE
6SLK .2T.2B.TE.BE

Top & Bottom & Ends Both
12" - 33" H (Top & Bottom)

6SLK .1TEB.1BEB
8SLK .1TEB.1BEB

12" - 33" H (Top),
36" - 62" H (Bottom)

6SLK .1TEB.2BEB
8SLK .1TEB.2BEB

Bottom
12" - 33" H

1SLK .1B
2SLK .1B

36" - 62" H

1SLK .2B
2SLK .2B

Bottom & End
12" - 33" H

2SLK .1B.E
3SLK .1B.E

36" - 62" H

2SLK .2B.E
3SLK .2B.E

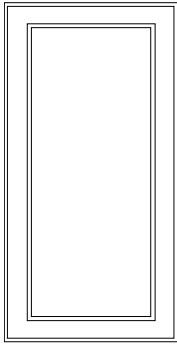
Bottom & Ends Both
12" - 33" H

3SLK .1B.BEB
4SLK .1B.BEB

36" - 62" H

3SLK .2B.BEB
4SLK .2B.BEB

- Frosty white, semitransparent film laminated between safety glass
- **Not** available in High-Gloss Foil door styles
- **Not** available in Wood-Grain Foil slab door styles
- See glass door position availability charts in the front of this section for more information
- Order Example: W1830R-1SLK1



Wintersday Insert

Front & Top
12" - 33" H

1WTD1
2WTD1
3WTD1
4WTD1

Front & Top
36" - 62" H

1WTD2
2WTD2
3WTD2
4WTD2

- . Medium frost decorative paper laminated between pieces of clear glass
- . **Not** available in High-Gloss Foil door styles
- . **Not** available in Wood-Grain Foil slab door styles
- . Order Example: W1830R-1WTD1

Mullion Doors

Mullion door designs combine the beauty of actual wood mullion dividers and wood inserts or clear or textured tempered glass. The wood mullions coordinate with the door and frame in materials and finish. Antiquity, Bistro and Ravenna glass inserts offer a range of views into the cabinet interior, so items behind the glass can be fully exposed or slightly obscured.

2	OX	ATQ	1
quantity	door code	insert code	height code

Decorative molding will **not** be applied to Mullion Doors when ordered in door styles having applied molding on their inside profile.

Mullion doors are available in most door styles, in sizes from 12" wide and up to 42" high. Consult Decorative Doors and Inserts availability chart for specific detail.

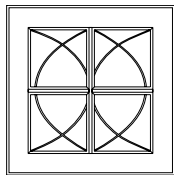
Mullion Doors are ordered individually. Place quantity before order code. See examples for individual items.

Material dimensions listed may vary slightly from actual dimensions of the product.

See Construction Options section for specific information on each glass type.

Specifications subject to change without notice.

Castlegate



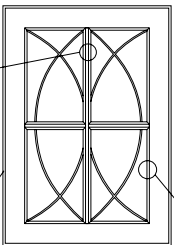
15" - 21"
high

*Blackened Pewter on Zinc
Caming Insert
Front & Top
15" - 33" H*

1CGBPB1
2CGBPB1
3CGBPB1
4CGBPB1

*Nickel Caming Insert
Front & Top
15" - 33" H*

1CGNKB1
2CGNKB1
3CGNKB1
4CGNKB1



24" - 42"
high

*Blackened Pewter on Zinc
Caming Insert
Front & Top
36" - 42" H*

1CGBPB2
2CGBPB2
3CGBPB2
4CGBPB2

*Nickel Caming Insert
Front & Top
36" - 42" H*

1CGNKB2
2CGNKB2
3CGNKB2
4CGNKB2

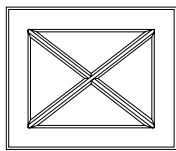
standard
mullion
profile

outside
profile

standard
inside
profile

- . Ravenna patterned glass
- . Standard Mullion Profile: The outside profile of a Mullion door will match the profile of the selected door style. The inside profile and mullion profile will always be the same, as pictured
- . Only available on doors 15" wide or wider
- . Available in full overlay door styles only
- . **Not** available in Rustic door styles
- . **Not** available in EverCore® door styles
- . **Not** available in High-Gloss Foil, Thermofoil or Wood-Grain Foil door styles
- . Change Width (CW) option **not** available
- . Change Height (CH) option **not** available
- . If ordered in an arched door style, it will be supplied square
- . For descriptions of the glass or specialty inserts available in Mullion Doors, see Camed Glass, Classic Glass, Etched Glass, Layered Glass, Specialty Inserts and Textured Glass sections within Decorative Doors and Inserts
- . Order Example: W1842R-1CGBPB2

Evansville



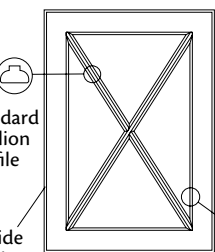
15" - 21"
high

*Antiquity Glass Insert
Front & Top
15" - 33" H*

1EVATQ1
2EVATQ1
3EVATQ1
4EVATQ1

*Mirage Glass Insert
Front & Top
36" - 42" H*

1EVMIR2
2EVMIR2
3EVMIR2
4EVMIR2



24" - 42"
high

*Antiquity Glass Insert
Front & Top
36" - 42" H*

1EVATQ2
2EVATQ2
3EVATQ2
4EVATQ2

*Ravenna Glass Insert
Front & Top
15" - 33" H*

1EVRV1
2EVRV1
3EVRV1
4EVRV1

standard
mullion
profile

outside
profile

standard
inside
profile

*Bistro Glass Insert
Front & Top
15" - 33" H*

1EV1
2EV1
3EV1
4EV1

*Ravenna Glass Insert
Front & Top
36" - 42" H*

1EVRV2
2EVRV2
3EVRV2
4EVRV2

*Bistro Glass Insert
Front & Top
36" - 42" H*

1EV2
2EV2
3EV2
4EV2

*Shadow Glass Insert
Front & Top
15" - 33" H*

1EVSHW1
2EVSHW1
3EVSHW1
4EVSHW1

*Mirage Glass Insert
Front & Top
15" - 33" H*

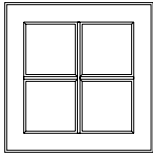
1EVMIR1
2EVMIR1
3EVMIR1
4EVMIR1

*Shadow Glass Insert
Front & Top
36" - 42" H*

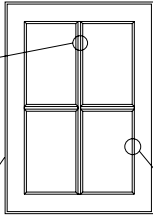
1EVSHW2
2EVSHW2
3EVSHW2
4EVSHW2

- . Standard Mullion Profile: The outside profile of a Mullion door will match the profile of the selected door style. The inside profile and mullion profile will always be the same, as pictured
- . Only available on doors 15" wide or wider
- . Available in full overlay door styles only
- . **Not** available in Rustic door styles
- . **Not** available in EverCore® door styles
- . **Not** available in High-Gloss Foil, Thermofoil or Wood-Grain Foil door styles
- . Change Width (CW) option **not** available
- . Change Height (CH) option **not** available
- . If ordered in an arched door style, it will be supplied square
- . For descriptions of the glass or specialty inserts available in Mullion Doors, see Camed Glass, Classic Glass, Etched Glass, Layered Glass, Specialty Inserts and Textured Glass sections within Decorative Doors and Inserts
- . Order Example: W1830R-1EVATQ1; W1842R-1EVRV2

Hewitt



15" - 21"
high



24" - 42"
high

standard
mullion
profile

outside
profile

standard
inside
profile

Antiquity Glass Insert
Front & Top
15" - 33" H

1HEATQ1
2HEATQ1
3HEATQ1
4HEATQ1

Antiquity Glass Insert
Front & Top
36" - 42" H

1HEATQ2
2HEATQ2
3HEATQ2
4HEATQ2

Bistro Glass Insert
Front & Top
15" - 33" H

1HE1
2HE1
3HE1
4HE1

Bistro Glass Insert
Front & Top
36" - 42" H

1HE2
2HE2
3HE2
4HE2

Ravenna Glass Insert
Front & Top
15" - 33" H

1HERAV1
2HERAV1
3HERAV1
4HERAV1

Ravenna Glass Insert
Front & Top
36" - 42" H

1HERAV2
2HERAV2
3HERAV2
4HERAV2

Shadow Glass Insert
Front & Top
15" - 33" H

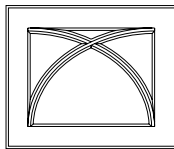
1HESHW1
2HESHW1
3HESHW1
4HESHW1

Shadow Glass Insert
Front & Top
36" - 42" H

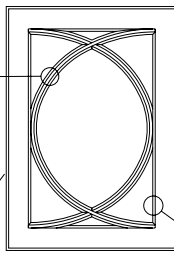
1HESHW2
2HESHW2
3HESHW2
4HESHW2

- . This design will always be 2 x 2 lites
- . Standard Mullion Profile: The outside profile of a Mullion door will match the profile of the selected door style. The inside profile and mullion profile will always be the same, as pictured
- . Only available on doors 15" wide or wider
- . Available in full overlay door styles only
- . **Not** available in Rustic door styles
- . **Not** available in EverCore® door styles
- . **Not** available in High-Gloss Foil, Thermofoil or Wood-Grain Foil door styles
- . Change Width (CW) option **not** available
- . Change Height (CH) option **not** available
- . If ordered in an arched door style, it will be supplied square
- . For descriptions of the glass or specialty inserts available in Mullion Doors, see Camed Glass, Classic Glass, Etched Glass, Layered Glass, Specialty Inserts and Textured Glass sections within Decorative Doors and Inserts
- . Order Example: W1830R-1HEATQ1; W1842R-1HERAV2

Palladia



18" - 21"
high



24" - 42"
high

standard
mullion
profile

outside
profile

standard
inside
profile

Antiquity Glass Insert
Front & Top
18" - 33" H

1PAATQ1
2PAATQ1
3PAATQ1
4PAATQ1

Antiquity Glass Insert
Front & Top
36" - 42" H

1PAATQ2
2PAATQ2
3PAATQ2
4PAATQ2

Bistro Glass Insert
Front & Top
18" - 33" H

1PA1
2PA1
3PA1
4PA1

Bistro Glass Insert
Front & Top
36" - 42" H

1PA2
2PA2
3PA2
4PA2

Mirage Glass Insert
Front & Top
18" - 33" H

1PAMIR1
2PAMIR1
3PAMIR1
4PAMIR1

Mirage Glass Insert
Front & Top
36" - 42" H

1PAMIR2
2PAMIR2
3PAMIR2
4PAMIR2

Ravenna Glass Insert
Front & Top
18" - 33" H

1PARAV1
2PARAV1
3PARAV1
4PARAV1

Ravenna Glass Insert
Front & Top
36" - 42" H

1PARAV2
2PARAV2
3PARAV2
4PARAV2

Shadow Glass Insert
Front & Top
18" - 33" H

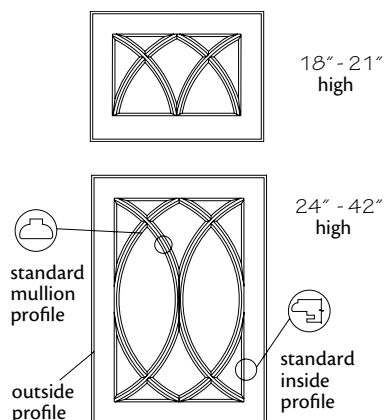
1PASHW1
2PASHW1
3PASHW1
4PASHW1

Shadow Glass Insert
Front & Top
36" - 42" H

1PASHW2
2PASHW2
3PASHW2
4PASHW2

- . Standard Mullion Profile: The outside profile of a Mullion door will match the profile of the selected door style. The inside profile and mullion profile will always be the same, as pictured
- . Only available on doors 18" wide (nominal) and wider with stiles and rails 2 3/8" or less
- . Available in full overlay door styles only
- . Available in Cherry and Maple door styles only
- . **Not** available in Rustic door styles
- . Change Width (CW) option **not** available
- . Change Height (CH) option **not** available
- . If ordered in an arched door style, it will be supplied square
- . For descriptions of the glass or specialty inserts available in Mullion Doors, see Camed Glass, Classic Glass, Etched Glass, Layered Glass, Specialty Inserts and Textured Glass sections within Decorative Doors and Inserts
- . Order Example: W1830R-1PAATQ1; W1842R-1PARAV2

Raleigh



Antiquity Glass Insert
Front & Top
18" - 33" H

1RAATQ1
2RAATQ1
3RAATQ1
4RAATQ1

Antiquity Glass Insert
Front & Top
36" - 42" H

1RAATQ2
2RAATQ2
3RAATQ2
4RAATQ2

Bistro Glass Insert
Front & Top
18" - 33" H

1RA1
2RA1
3RA1
4RA1

Bistro Glass Insert
Front & Top
36" - 42" H

1RA2
2RA2
3RA2
4RA2

Ravenna Glass Insert
Front & Top
18" - 33" H

1RARAV1
2RARAV1
3RARAV1
4RARAV1

Ravenna Glass Insert
Front & Top
36" - 42" H

1RARAV2
2RARAV2
3RARAV2
4RARAV2

Shadow Glass Insert
Front & Top
18" - 33" H

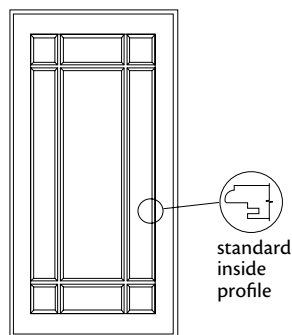
1RASHW1
2RASHW1
3RASHW1
4RASHW1

Shadow Glass Insert
Front & Top
36" - 42" H

1RASHW2
2RASHW2
3RASHW2
4RASHW2

- Standard Mullion Profile: The outside profile of a Mullion door will match the profile of the selected door style. The inside profile and mullion profile will always be the same, as pictured
- Only available on doors 18" wide (nominal) and wider with stiles and rails 2 3/8" or less
- Available in full overlay door styles only
- Available in Cherry and Maple door styles only
- If ordered in Arch will be supplied as square
- Not** available in Rustic door styles
- Change Width (CW) option **not** available
- Change Height (CH) option **not** available
- If ordered in an arched door style, it will be supplied square
- For descriptions of the glass or specialty inserts available in Mullion Doors, see Camed Glass, Classic Glass, Etched Glass, Layered Glass, Specialty Inserts and Textured Glass sections within Decorative Doors and Inserts
- Order Example: W1830R-1RAATQ1; W1842R-1RARAV2

Showcase Mullion



Antiquity Glass Insert
Front & Top
15" - 33" H

1SDATQ1
2SDATQ1
3SDATQ1
4SDATQ1

Antiquity Glass Insert
Front & Top
36" - 42" H

1SDATQ2
2SDATQ2
3SDATQ2
4SDATQ2

Bistro Glass Insert
Front & Top
15" - 33" H

1SD1
2SD1
3SD1
4SD1

Bistro Glass Insert
Front & Top
36" - 42" H

1SD2
2SD2
3SD2
4SD2

Ravenna Glass Insert
Front & Top
15" - 33" H

1SDRAV1
2SDRAV1
3SDRAV1
4SDRAV1

Ravenna Glass Insert
Front & Top
36" - 42" H

1SDRAV2
2SDRAV2
3SDRAV2
4SDRAV2

Shadow Glass Insert
Front & Top
15" - 33" H

1SDSHW1
2SDSHW1
3SDSHW1
4SDSHW1

Shadow Glass Insert
Front & Top
36" - 42" H

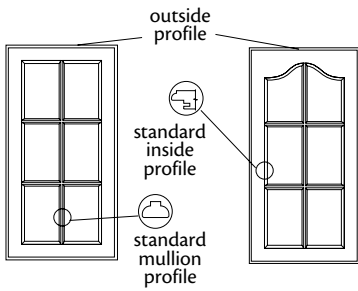
1SDSHW2
2SDSHW2
3SDSHW2
4SDSHW2

- Standard Mullion Profile: The outside profile of a Mullion door will match the profile of the selected door style. The inside profile and mullion profile will always be the same, as pictured
- Showcase door has 2" x 2" lites in each corner and is always 3 lites wide by 3 lites high
- Center section varies in width and height
- Consult chart for availability
- Not** available in Rustic door styles
- Not** available in EverCore® door styles
- Not** available in High-Gloss Foil, Thermofoil or Wood-Grain Foil door styles
- Change Width (CW) option **not** available
- Change Height (CH) option **not** available
- If ordered in an arched door style, it will be supplied square
- For descriptions of the glass or specialty inserts available in Mullion Doors, see Camed Glass, Classic Glass, Etched Glass, Layered Glass, Specialty Inserts and Textured Glass sections within Decorative Doors and Inserts
- Order Example: W1830L-1SD1; W1842L-1SDATQ2

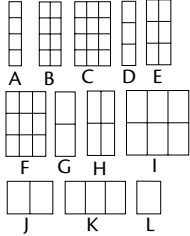
Cabinet Width	Nominal Height									
	15"	18"	21"	24"	27"	30"	36"	39"	42"	
*12	●	●		●		●	●	●	●	
15	●	●		●		●	●	●	●	
18	●	●		●		●	●	●	●	
21		●		●		●	●	●	●	
24				●		●	●	●	●	
*24BUTT		●		●		●	●	●	●	
27(Butt)	●	●		●		●	●	●	●	
30	●	●	●	●	●	●	●	●	●	
33	●	●		●		●	●	●	●	
36	●	●	●	●	●	●	●	●	●	
39	●			●		●	●	●	●	
42		●		●		●	●	●	●	
45				●		●	●	●	●	
48	●	●		●		●	●	●	●	
WA24				●		●	●	●	●	
WCA12				●		●	●	●	●	
WEA12				●		●	●	●	●	

*Not available on door styles with 3" and 3 1/2" stiles and rails
Dark gray shaded sizes feature annealed glass vs tempered glass

Traditional Mullion



Lite Configurations:



Cabinet Width	Nominal Height											
	12"	15"	18"	21"	24"	27"	30"	33"	36"	39"	42"	
12	L	L	G		G		D	D	A	A	A	
15	J	J	H		H	E	E	E	B	B	B	
18	J	J	H		H	E	E	E	B	B	B	
21	K	K	I		I	F	F	F	C	C	C	
24	K		I		I	F	F	F	C	C	C	
24BUTT	L	L	G		G	D	D	D	A	A	A	
27(Butt)	J	J	H		H	E	E	E	B	B	B	
30/BUTT	J	J	H		H	E	E	E	B	B	B	
33/BUTT	J	J	H		H	E	E	E	B	B	B	
34BUTT	J	J	H		H	E	E	E	B	B	B	
36/BUTT	J	J	H		H	E	E	E	B	B	B	
37BUTT	J	J	H		H	E	E	E	B	B	B	
39	K	K	I		I	F	F	F	C	C	C	
42	K	K	I		I	F	F	F	C	C	C	
43	K	K	I		I	F	F	F	C	C	C	
45	J	J	H		I	F	F	F	C	C	C	
48	J	J	H		I	F	F	F	C	C	C	
WR34BUTT	J	J	H		H	E	E	E	B	B	B	
WR37BUTT	J	J	H		H	E	E	E	B	B	B	
WR42	K	K	I		I	F	F	F	C	C	C	
WR43	K	K	I		I	F	F	F	C	C	C	
WR48	K	K	I		I	F	F	F	C	C	C	
WA24/27	J	J	H		H	E	E	E	B	B	B	
(W)EZR24						D	D	D	A	A	A	
(W)EZR36						D	D	D	A	A	A	
WCA12	J	H	H		H	E	E	E	B	B	B	

Mullion doors are shipped in the following configurations shown above. No modifications are available.

Antiquity Glass Insert
Front & Top
12" - 33" H

- 1MDATQ1**
- 2MDATQ1**
- 3MDATQ1**
- 4MDATQ1**

Antiquity Glass Insert
Front & Top
36" - 42" H

- 1MDATQ2**
- 2MDATQ2**
- 3MDATQ2**
- 4MDATQ2**

Bistro Glass Insert
Front & Top
12" - 33" H

- 1MD1**
- 2MD1**
- 3MD1**
- 4MD1**

Bistro Glass Insert
Front & Top
36" - 42" H

- 1MD2**
- 2MD2**
- 3MD2**
- 4MD2**

Mirage Glass Insert
Front & Top
12" - 33" H

- 1MDMIR1**
- 2MDMIR1**
- 3MDMIR1**
- 4MDMIR1**

Mirage Glass Insert
Front & Top
36" - 42" H

- 1MDMIR2**
- 2MDMIR2**
- 3MDMIR2**
- 4MDMIR2**

Ravenna Glass Insert
Front & Top
12" - 33" H

- 1MDRAV1**
- 2MDRAV1**
- 3MDRAV1**
- 4MDRAV1**

Ravenna Glass Insert
Front & Top
36" - 42" H

- 1MDRAV2**
- 2MDRAV2**
- 3MDRAV2**
- 4MDRAV2**

Shadow Glass Insert
Front & Top
12" - 33" H

- 1MDSHW1**
- 2MDSHW1**
- 3MDSHW1**
- 4MDSHW1**

Shadow Glass Insert
Front & Top
36" - 42" H

- 1MDSHW2**
- 2MDSHW2**
- 3MDSHW2**
- 4MDSHW2**

Standard Mullion Profile: The outside profile of a Mullion door will match the profile of the selected door style. The inside profile and mullion profile will always be the same, as pictured

To determine the Mullion Door Lite configuration for your selected cabinet, refer to the chart

Configuration G, J and K will be supplied with annealed glass vs. tempered glass

Not available in Rustic door styles

Not available in EverCore®, High-Gloss Foil or Wood-Grain Foil door styles

Change Width (CW) option **not** available

Change Height (CH) option **not** available

For descriptions of the glass or specialty inserts available in Mullion Doors, see Camed Glass, Classic Glass, Etched Glass, Layered Glass, Specialty Inserts and Textured Glass sections within Decorative Doors and Inserts

Order Example: W1830-1MD1; W1842-1MDATQ2

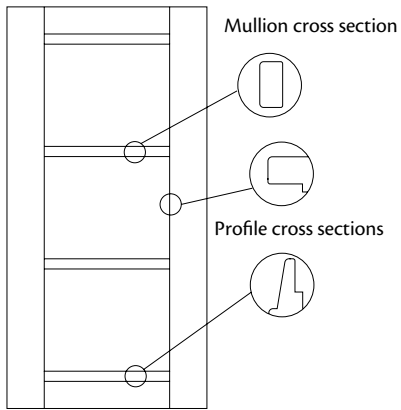


Remember, matching interior is **not** standard when attaching glass doors to a cabinet. We highly recommend upgrading to matching interior.



Be sure your customer is aware of the mullion configuration when working with sizes requiring patterns A,D,G, J and K.

Vista Mullion



Nominal Height	# of lites	Height of lites
12"	1	-
15"	1	-
18"	2	5 11/16"
21"	2	7 3/16"
24"	2	8 7/16"
26"	2	8 15/16"
27"	3	6 35/64"
30"	3	7 35/64"
36"	4	6 31/32"
39"	4	7 23/32"
42"	4	8 15/32"

*Antiquity Glass Insert
Front & Top
12" - 33" H*

1VSATQ1
2VSATQ1
3VSATQ1
4VSATQ1

*Antiquity Glass Insert
Front & Top
36" - 42" H*

1VSATQ2
2VSATQ2
3VSATQ2
4VSATQ2

*Bistro Glass Insert
Front & Top
12" - 33" H*

1VS1
2VS1
3VS1
4VS1

*Bistro Glass Insert
Front & Top
36" - 42" H*

1VS2
2VS2
3VS2
4VS2

*Ravenna Glass Insert
Front & Top
12" - 33" H*

1VSRAV1
2VSRAV1
3VSRAV1
4VSRAV1

*Ravenna Glass Insert
Front & Top
36" - 42" H*

1VSRAV2
2VSRAV2
3VSRAV2
4VSRAV2

*Shadow Glass Insert
Front & Top
12" - 33" H*

1VSSH1
2VSSH1
3VSSH1
4VSSH1

*Shadow Glass Insert
Front & Top
36" - 42" H*

1VSSH2
2VSSH2
3VSSH2
4VSSH2

- Available in Vista door styles only. Inside profile matches this door style
- Not** available in Rustic door styles
- Not** available in EverCore® door styles
- Change Width (CW) option **not** available
- Change Height (CH) option **not** available
- For descriptions of the glass or specialty inserts available in Mullion Doors, see Camed Glass, Classic Glass, Etched Glass, Layered Glass, Specialty Inserts and Textured Glass sections within Decorative Doors and Inserts
- Order Example: W1830L-1VSATQ1; W1842R-1VSRAV2

Specialty Inserts

Leather inserts are textured and both Leather and Chalkboard inserts conceal the contents stored behind the door.

1	ONL	2
quantity	code	height

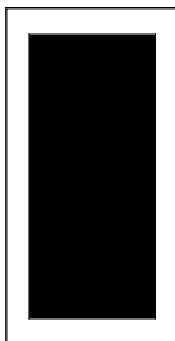
Specialty inserts are available in most door styles, in sizes from 12" wide and up to 62" high.

Specialty inserts are ordered individually. Place quantity before code. See examples for individual items.

Material dimensions listed may vary slightly from actual dimensions of the product.

Specifications subject to change without notice.

Chalkboard Insert



Front & Top
12" - 33" H

1CKB1

2CKB1

3CKB1

4CKB1

Front & Top
36" - 62" H

1CKB2

2CKB2

3CKB2

4CKB2

- . 3/16" thick
- . Black chalkboard material on both sides
- . **Not** available in High-Gloss Foil door styles
- . **Not** available in Wood-Grain Foil slab door styles
- . Order Example: W3030-2CKB1

Textured Glass

Textured glass includes a variety of patterns that create a translucent view of objects stored behind the door. The shapes and colors of objects remain visible, but their lines are diffused.

2	RAV	1
quantity	code	height code

Textured glass is available in most door styles, in sizes from 12" wide and up to 62" high.

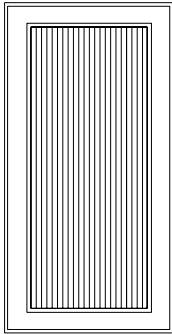
Glass inserts are ordered individually. Place quantity before order code. See examples for individual items.

Material dimensions listed may vary slightly from actual dimensions of the product.

See Construction Options section for specific information on each glass type.

Specifications subject to change without notice.

Cascade Insert



Front & Top
12" - 33" H

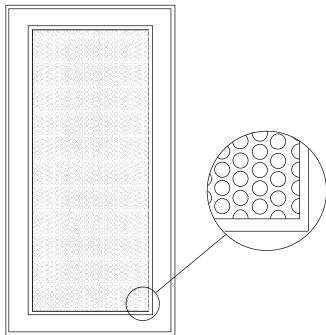
1CAS1
2CAS1
3CAS1
4CAS1

Front & Top
36" - 62" H

1CAS2
2CAS2
3CAS2
4CAS2

- Clear tempered glass with 1/2" wide vertical reeds
- **Not** available in High-Gloss Foil door styles
- **Not** available in Wood-Grain Foil door styles
- Order Example: W1842R-1CAS2

Dolce Insert



Front
12" - 33" H

1DOL1
2DOL1
3DOL1
4DOL1

36" - 62" H

1DOL2
2DOL2
3DOL2
4DOL2

Front & End
12" - 33" H

2DOL .1E
3DOL .1E

36" - 62" H

2DOL .2E
3DOL .2E

Front & Ends Both
12" - 33" H

3DOL .1EB
4DOL .1EB

36" - 62" H

3DOL .2EB
4DOL .2EB

Top
12" - 33" H

1DOL .1T
2DOL .1T

36" - 62" H

1DOL .2T
2DOL .2T

Top & End
12" - 33" H

2DOL .1T.E
3DOL .1T.E

36" - 62" H

2DOL .2T.E
3DOL .2T.E

Top & Ends Both
12" - 33" H

3DOL .1T.TEB
4DOL .1T.TEB

Top & Bottom
12" - 33" H

2DOL .1T.1B
4DOL .1T.1B

(Top & Bottom)

2DOL .1T.1B
4DOL .1T.1B

12" - 33" H (Top),

36" - 62" H (Bottom)

2DOL .1T.2B
4DOL .1T.2B

36" - 62" H (Top & Bottom)

2DOL .2T.2B
4DOL .2T.2B

Top & Bottom & End
12" - 33" H (Top & Bottom)

4DOL .1T.1B.TE.BE
6DOL .1T.1B.TE.BE

12" - 33" H (Top),
36" - 62" H (Bottom)

4DOL .1T.2B.TE.BE
6DOL .1T.2B.TE.BE

36" - 62" H (Top & Bottom)

4DOL .2T.2B.TE.BE
6DOL .2T.2B.TE.BE

Top & Bottom & Ends Both
12" - 33" H (Top & Bottom)

6DOL .1TEB.1BEB
8DOL .1TEB.1BEB

12" - 33" H (Top),
36" - 62" H (Bottom)

6DOL .1TEB.2BEB
8DOL .1TEB.2BEB

Bottom
12" - 33" H

1DOL .1B
2DOL .1B

36" - 62" H

1DOL .2B
2DOL .2B

Bottom & End
12" - 33" H

2DOL .1B.E
3DOL .1B.E

36" - 62" H

2DOL .2B.E
3DOL .2B.E

Bottom & Ends Both
12" - 33" H

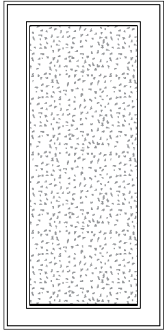
3DOL .1B.BEB
4DOL .1B.BEB

36" - 62" H

3DOL .2B.BEB
4DOL .2B.BEB

- Obscure tempered glass with a uniform pebble pattern
- **Not** available in High-Gloss Foil door styles
- **Not** available in Wood-Grain Foil slab door styles
- See glass door position availability charts in the front of this section for more information
- Order Example: W1830L-1DOL1

Modern Textured Insert



Front & Top
12" - 33" H

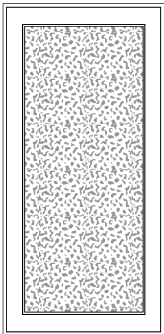
1MRT1
2MRT1
3MRT1
4MRT1

Front & Top
36" - 48" H

1MRT2
2MRT2
3MRT2
4MRT2

- Clear film laminated between pieces of textured obscured clear glass with droplet (seeded) impressions throughout
- Available in full overlay door styles only
- Available in Cherry, EverCore®, Thermofoil, Maple and White Wood-Grain Foil door styles only
- **Not** available in Wood-Grain Foil slab door styles
- **Not** available in High-Gloss Foil door styles
- **Not** available on doors wider than 24"
- Order Example: W1830L-1MRT1

Moire Insert



Front & Top
12" - 33" H

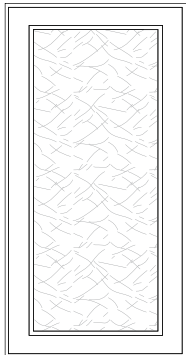
1MOI1
2MOI1
3MOI1
4MOI1

Front & Top
36" - 62" H

1MOI2
2MOI2
3MOI2
4MOI2

- Coarse pebbled glass
- **Not** available in High-Gloss Foil door styles
- **Not** available in Wood-Grain Foil slab door styles
- Order Example: PW3042-4MOI2

Ravenna Insert



Front
12" - 33" H

1RAV1
2RAV1
3RAV1
4RAV1

36" - 48" H

1RAV2
2RAV2
3RAV2
4RAV2

Front & End
12" - 33" H

2RAV .1E
3RAV .1E
2RAV .2E
3RAV .2E

Front & Ends Both
12" - 33" H

3RAV .1EB
4RAV .1EB
3RAV .2EB
4RAV .2EB

36" - 48" H

Top
12" - 33" H

1RAV .1T
2RAV .1T

36" - 48" H

1RAV .2T
2RAV .2T

Top & End
12" - 33" H

2RAV .1T.E
3RAV .1T.E

36" - 48" H

2RAV .2T.E
3RAV .2T.E

Top & Ends Both
12" - 33" H

3RAV .1T.TEB
4RAV .1T.TEB

Top & Bottom
12" - 33" H (Top & Bottom)

2RAV .1T.1B
4RAV .1T.1B
2RAV .1T.2B
4RAV .1T.2B

12" - 33" H (Top),
36" - 48" H (Bottom)

Top & Bottom & End
12" - 33" H (Top & Bottom)

4RAV .1T.1B.TE.BE
6RAV .1T.1B.TE.BE

12" - 33" H (Top),
36" - 48" H (Bottom)

4RAV .1T.2B.TE.BE
6RAV .1T.2B.TE.BE

Top & Bottom & Ends Both
12" - 33" H (Top & Bottom)

6RAV .1TEB.1BEB
8RAV .1TEB.1BEB

12" - 33" H (Top),
36" - 48" H (Bottom)

6RAV .1TEB.2BEB
8RAV .1TEB.2BEB

Bottom
12" - 33" H

1RAV .1B
2RAV .1B
1RAV .2B
2RAV .2B

36" - 48" H

Bottom & End
12" - 33" H

2RAV .1B.E
3RAV .1B.E

36" - 48" H

2RAV .2B.E
3RAV .2B.E

Bottom & Ends Both
12" - 33" H

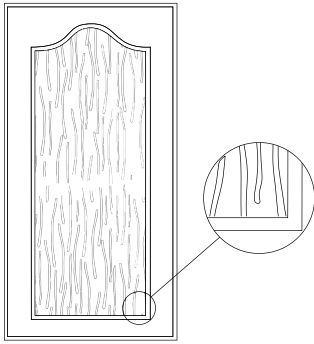
3RAV .1B.BEB
4RAV .1B.BEB

36" - 48" H

3RAV .2B.BEB
4RAV .2B.BEB

- Clear tempered "spider web" glass duplicating the look of antique hand blown glass
- **Not** available in High-Gloss Foil door styles
- **Not** available in Wood-Grain Foil slab door styles
- See glass door position availability charts in the front of this section for more information
- Order Example: W1830L-1RAV1

Styx Insert



Front & Top
12" - 33" H

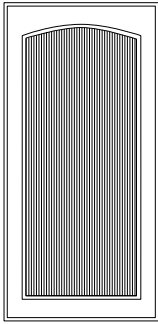
1STY1
2STY1
3STY1
4STY1

Front & Top
36" - 62" H

1STY2
2STY2
3STY2
4STY2

- . Obscure patterned tempered glass
- . **Not** available in High-Gloss Foil door styles
- . **Not** available in Wood-Grain Foil slab door styles
- . Order Example: W3636-2STY2

Vauxhall Insert



Front & Top
12" - 33" H

1VAU1
2VAU1
3VAU1
4VAU1

Front & Top
36" - 62" H

1VAU2
2VAU2
3VAU2
4VAU2

- . Obscure tempered glass with 1/8" wide vertical reeds
- . **Not** available in High-Gloss Foil door styles
- . **Not** available in Wood-Grain Foil slab door styles
- . Order Example: W1830R-1VAU1



Remember, matching interior is **not** standard when attaching glass doors to a cabinet. We highly recommend upgrading to matching interior.

Notes

LED Lighting

LED is an energy efficient source for kitchen and bath lighting needs.

Puck and strip lights have 3000K light color (warm white). All products are 24V DC power. All wires are white.

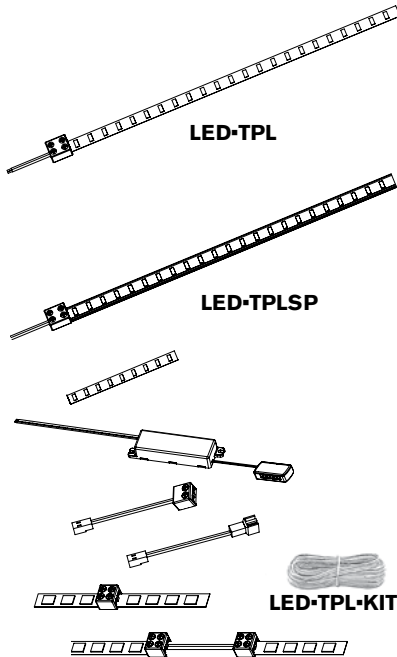
Each LED light is tested at 50,000 hours of run time. LED products carry a limited warranty.

Specifications are subject to change without notice.

LED

code

LED Flexible Strip Tape Light



LED Flexible Strip Tape Light

LED.TPL

LED Flexible Strip Splash Proof Tape Light

LED.TPLSP

LED Flexible Strip Tape Light Kit

★ LED.TPL.KIT

★ Kit includes:

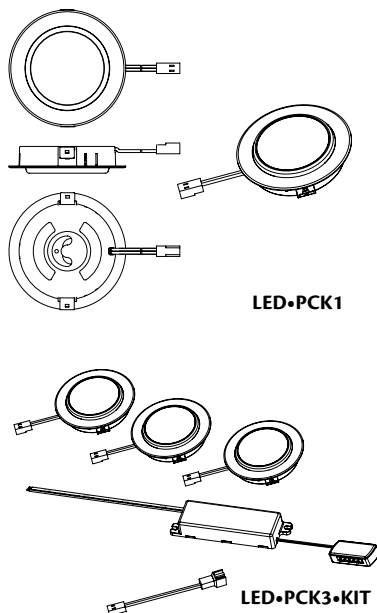
- (1) LED Flexible Strip Tape Light (LED-TPL)
- (1) DayBreak Dimmable Driver 40W (LED-DDR40)
- (2) 8' Power Cables (LED-PC)
- (2) End-to-End Connectors (LED-ETEC)
- (3) Connector Kits for Wire Length (LED-CLC)
- (1) Stranded Copper Wire (LED-SCW25)

- Standard LED flexible strip tape with self adhesive backing
- 16.4' long; 0.32" wide; ~0.15" tall; 300 diodes; 24W
- Warm white illumination
- 120 degree beam angle, 80 lumens per foot
- A power cable (LED.PC) is required to connect strip tape lighting to a power supply. Strip tape lengths **cannot** exceed 16.4' out of a single power supply port. An additional power cable (LED.PC) plugged into an unused power supply port is required for applications exceeding 16.4'. Make sure power supplies are **not** overloaded based on watt capacity. See "LED Power Supply" section for capacity details
- For use under-cabinet, over-cabinet, toe kick and cabinet interiors
- Use LED-TPLSP for splash zones i.e. toe-kick space
- Custom lengths can be cut in increments of 2", **not** to exceed a total of 16.4'. Use End-to-End Connector (LED-ETEC) to join custom lengths
- Use Connector Kit for Custom Wire Length (LED-CLC) with Standard Copper Wire (LED-SCW25) to navigate corners or other obstacles
- Use Motion Sensor Switch (LED-MSS) for controlling interior cabinet lighting
- Use 8' Power Extension Cables (LED-PEC8) to increase distance between power supply and beginning of LED flexible strip run



Installers **must** clean and prepare surface prior to installation. An alcohol pad works well to remove oils

LED Puck Light



LED.PCK1

★ LED.PCK3.KIT

★ Kit includes:

- (3) LED Puck Lights (LED-PCK1)
- (1) DayBreak Dimmable Driver 40W (LED-DDR40)
- (2) 8' Power Extension Cables (LED-PEC8)

- One light with 8' power cable; 3W
- Warm white illumination
- 194 lumens; 105 degree beam angle
- For surface mount or recess installation
- Units are 2 9/16" diameter. Requires 2 5/16" diameter circle cut out for recess installation
- Use 8' power extension cables (LED-PEC8) to extend the distance between lights and power supply



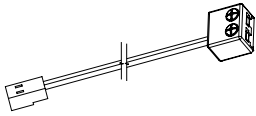
Under Cabinet Panel (PUCP, UCP OR UCPWA) provides a clean, built-in look for under cabinet installation



8' Power Cable

LED.PC

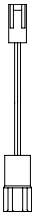
- Cable has male connector on one end and flexible strip connector on the other
- Used to start the flexible strip light run



8' Power Extension Cable

LED.PEC8

- Cable has male connector on one end and female connector on the other
- Used to extend the distance between the power supply and the light source
- Several cables may be connected to extend the length if needed



Connector Kit for Custom Wire Length

LED.CLC

- Contains two connectors
- For use when adding a cut-to-length wire section to navigate LED Flexible Strip Tape Light (LED•TPL or LED•TPLSP) around corners or obstacles



End-to-End Connector

LED.ETEC

- Connects two pieces of LED Flexible Strip Tape Lights (LED•TPL or LED•TPLSP) end to end



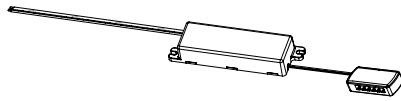
Stranded Copper Wire

LED.SCW25

- Use with Connector Kit (LED•CLC) for custom wire length



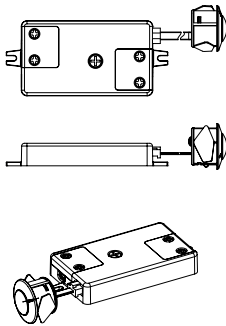
DayBreak Dimmable Driver



40 Watts
LED.DDR40

- -24V DC; 40 W, 12 port connector block can be used for up to 40 total watts of lighting
- Requires electrical outlet or junction box to connect to power
- Converts 120V AC power to 24V DC power
- Can be used with most standard TRIAC wall dimmers (ex. Lutron DVWCL-153PDH). Verify compatibility with switch manufacturer's specifications
- Comes with a 5' long power cord and optional plug head

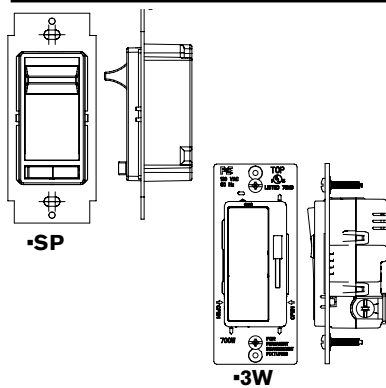
Motion Sensor On/Off Switch



LED.MSS

- Medium range motion sensor ideal for interior cabinet installation. Lights are activated by motion of opening cabinet doors
- Includes 12-port connector block
- One switch can be used to activate lighting for single or double door cabinets
- Adjustable timer controls the length of time lights remain on; up to 6 minutes
- 5' long cable between sensor and controller
- The sensor eye **must** be recess mounted and requires a 20mm hole

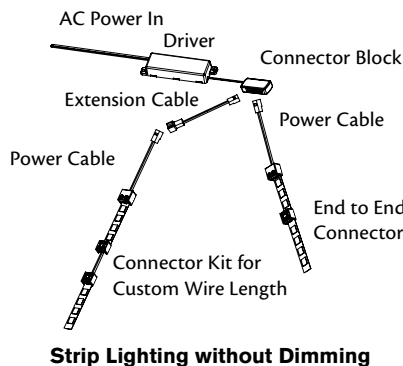
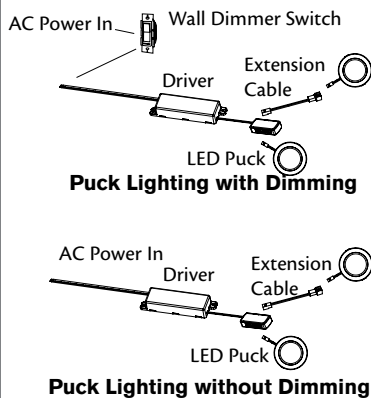
Low Voltage LED Wall Dimmer Switch



LED.WDS.3W
LED.WDS.SP

- White, wall dimmer switch for single gang box
- Functions as both an on/off and dimmer switch
- Use LED-WDS-3W for rooms with multiple entrances and switches
- Use LED-WDS-SP for rooms with a single entrance and switch
- Faceplate **not** included. Purchase separately to match decor

LED Connection Options



- Our products are designed to give you the ultimate versatility in designing lighting solutions. The following examples show the use of puck lighting and strip lighting, along with the various accessories:
- The best power source for LED Lighting is called a driver. The patented technology in your driver allows it to be used as both a dimmable driver and a regular driver. The driver is powered by standard AC line voltage of 120VAC. The driver can be plugged into an outlet by using the plug head included or can be hardwired into a junction box
- Puck lights attach to the driver in a "hub and spoke" configuration. The driver has a 12-port connector block. Each light comes equipped with a 98" power lead. Should you require a longer power lead, use a power extension cord
- Each run of strip lights attach to the driver in a "hub and spoke" configuration. The driver has a 12-port connector block. Each series of strips require the use of one power cable. Should you require a longer power lead, use a power extension cable
- Connectors allow you to run more than one segment of LED strip from a single power cable. The End to End Connector joins smaller pieces of LED tape together to form longer segments. For example, if you are installing toe kick lighting, but need to skip past the refrigerator, use the Connector Kit for Custom Wire Length. After wiring around the refrigerator, you can continue your lighting on the other side



Do **not** attach more lights than the driver has wattage to support

Supports and Valances

Construction Options and Modifications

A	Alder
C	Cherry
E	EverCore®
H	Hickory
TH	Thermofoil
HG	High-Gloss Foil
WG	Wood-Grain Foil
M	Maple
O	Oak
QS	Quartersawn

- ❖ Included as standard
- Available with an upcharge
- ☆ Available with exceptions
- (Blank) **Not** available

CTS

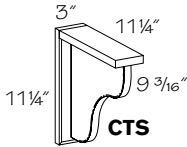
code

Valance backs are **not** finished.

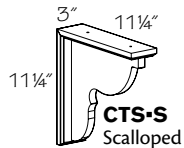
Material dimensions listed may vary slightly from actual dimensions of the product.

Specifications subject to change without notice.

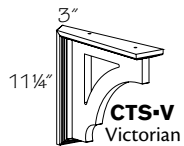
Countertop Support



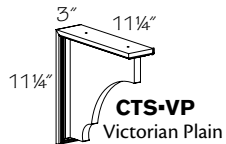
CTS



CTS.S
Scalloped



CTS.V
Victorian



CTS.VP
Victorian Plain

■ **CTS**

Scalloped

■ **CTS.S**

Victorian

CTS.V

Victorian Plain

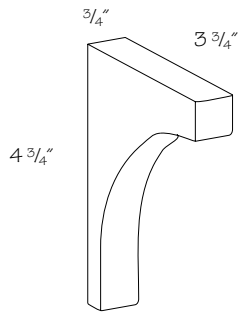
CTS.VP

- **Not** available in Wood-Grain Foil door styles

- Solid wood
- Painted or Stained hardwood supplied for Wood-Grain Foil door styles
- For use when extra support for shelves or overhanging countertop is required
- ☆ Quartersawn door styles are supplied plain sawn

❖	A
❖	C
❖	E
❖	H
❖	TH
	HG
☆	WG
❖	M
❖	O
☆	QS

Mission Angle Support

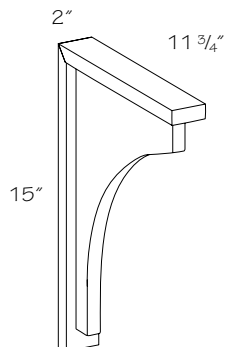


MAS

- Solid wood
- Painted hardwood supplied for EverCore®
- Corner piece from shelf support bracket only
- **Not** available in Reduced Depth (RD)

❖	A
❖	C
❖	E
	H
	TH
	HG
	WG
❖	M
	O
☆	QS

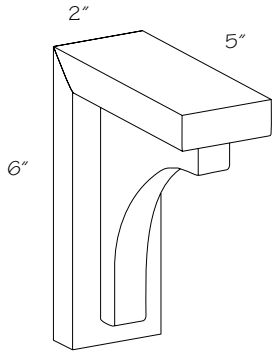
Mission Countertop Support



MCTS

- Solid wood
- Painted hardwood supplied for EverCore®
- For use when extra support for shelves or overhanging countertop is required
- **Not** available in Reduced Depth (RD)

❖	A
❖	C
❖	E
	H
	TH
	HG
	WG
❖	M
	O
❖	QS

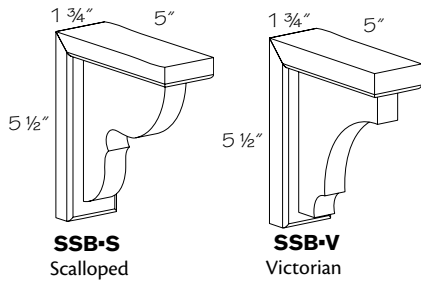


Mission Shelf Support Bracket

MSSB

- Solid wood
- Painted hardwood supplied for EverCore®
- Plain sawn material supplied for Bristow Crafted door styles
- **Not** available in Reduced Depth (RD)

❖	A
❖	C
❖	E
	H
	TH
	HG
	WG
❖	M
	O
❖	QS



Shelf Support Bracket

Scalloped

SSB .S

Victorian

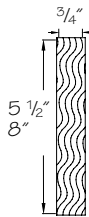
■ **SSB .V**

■ **Not** available in Wood-Grain Foil door styles

- Painted hardwood supplied for EverCore® and Thermofoil
- Painted or Stained hardwood supplied for Wood-Grain Foil door styles
- ☆ Quartersawn door styles are supplied plain sawn

❖	A
❖	C
❖	E
❖	H
❖	TH
	HG
☆	WG
❖	M
❖	O
☆	QS

Valance Cove



5 1/2" high

V18 CV

V21 CV

V24 CV

V27 CV

V30 CV

V33 CV

V36 CV

V39 CV

V42 CV

V45 CV

V48 CV

V51 CV

V54 CV

V57 CV

V60 CV

V63 CV

V66 CV

V69 CV

V72 CV

V75 CV

V78 CV

V81 CV

V84 CV

V87 CV

V90 CV

V93 CV

V96 CV

8" high

V1808 CV

V2108 CV

V2408 CV

V2708 CV

V3008 CV

V3308 CV

V3608 CV

V3908 CV

V4208 CV

V4508 CV

V4808 CV

V5108 CV

V5408 CV

V5708 CV

V6008 CV

V6308 CV

V6608 CV

V6908 CV

V7208 CV

V7508 CV

V7808 CV

V8108 CV

V8408 CV

V8708 CV

V9008 CV

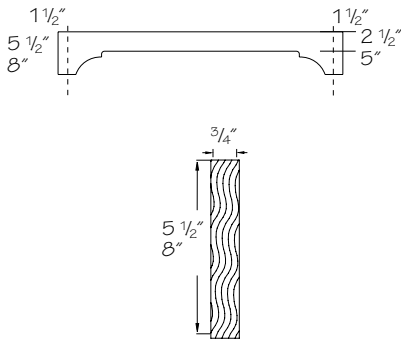
V9308 CV

V9608 CV

- 3/4" thick solid wood
- Painted hardwood supplied for EverCore® and Thermofoil
- Painted or Stained hardwood supplied for Wood-Grain Foil door styles
- Can be trimmed in field 1 1/2" each end, but will compromise design by reducing height
- ☆ Quartersawn door styles are supplied plain sawn

❖	A
❖	C
❖	E
❖	H
❖	TH
	HG
❖	WG
❖	M
❖	O
☆	QS

Valance Crown

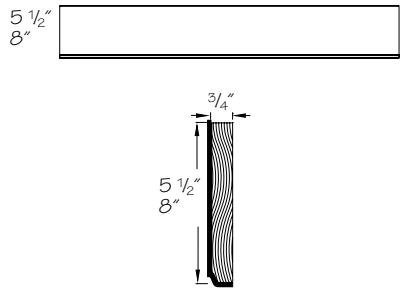


5 1/2" high		8" high	
V18 CR	V1808 CR		
V21 CR	V2108 CR		
V24 CR	V2408 CR		
V27 CR	V2708 CR		
V30 CR	V3008 CR		
V33 CR	V3308 CR		
V36 CR	V3608 CR		
V39 CR	V3908 CR		
V42 CR	V4208 CR		
V45 CR	V4508 CR		
V48 CR	V4808 CR		
V51 CR	V5108 CR		
V54 CR	V5408 CR		
V57 CR	V5708 CR		
V60 CR	V6008 CR		
V63 CR	V6308 CR		
V66 CR	V6608 CR		
V69 CR	V6908 CR		
V72 CR	V7208 CR		
V75 CR	V7508 CR		
V78 CR	V7808 CR		
V81 CR	V8108 CR		
V84 CR	V8408 CR		
V87 CR	V8708 CR		
V90 CR	V9008 CR		
V93 CR	V9308 CR		
V96 CR	V9608 CR		

- 3/4" thick solid wood
- Painted hardwood supplied for EverCore® and Thermofoil
- Painted or Stained hardwood supplied for Wood-Grain Foil door styles
- Can be trimmed in field 1 1/2" each end
- ☆ Quartersawn door styles are supplied plain sawn

❖	A
❖	C
❖	E
❖	H
❖	TH
	HG
❖	WG
❖	M
❖	O
☆	QS

Valance Traditional

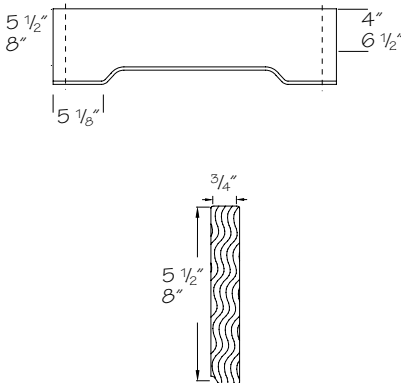


5 1/2" high		8" high	
V18 T	V1808 T		
V24 T	V2408 T		
V30 T	V3008 T		
V36 T	V3608 T		
V48 T	V4808 T		
V60 T	V6008 T		
V72 T	V7208 T		
V84 T	V8408 T		
V96 T	V9608 T		

- 3/4" thick solid wood
- Painted hardwood supplied for EverCore® and Thermofoil
- Painted or Stained hardwood supplied for Wood-Grain Foil door styles
- Trimmable in field
- Can be used as furniture valance
- ☆ Quartersawn door styles are supplied plain sawn

❖	A
❖	C
❖	E
❖	H
❖	TH
	HG
❖	WG
❖	M
❖	O
☆	QS

Valance Furniture

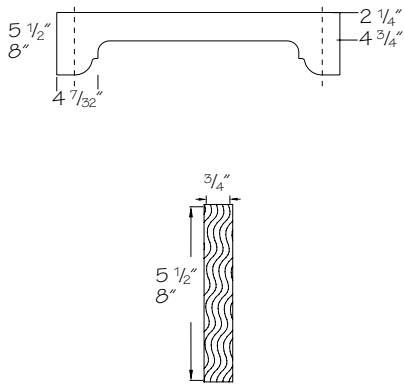


5 1/2" high		8" high	
V18 F	V1808 F		
V21 F	V2108 F		
V24 F	V2408 F		
V27 F	V2708 F		
V30 F	V3008 F		
V33 F	V3308 F		
V36 F	V3608 F		
V39 F	V3908 F		
V42 F	V4208 F		
V45 F	V4508 F		
V48 F	V4808 F		
V51 F	V5108 F		
V54 F	V5408 F		
V57 F	V5708 F		
V60 F	V6008 F		
V63 F	V6308 F		
V66 F	V6608 F		
V69 F	V6908 F		
V72 F	V7208 F		
V75 F	V7508 F		
V78 F	V7808 F		
V81 F	V8108 F		
V84 F	V8408 F		
V87 F	V8708 F		
V90 F	V9008 F		
V93 F	V9308 F		
V96 F	V9608 F		

- 3/4" thick solid wood
- Painted hardwood supplied for EverCore® and Thermofoil
- Painted or Stained hardwood supplied for Wood-Grain Foil door styles
- Can be trimmed in field 1 1/2" each end
- ☆ Quartersawn door styles are supplied plain sawn

❖	A
❖	C
❖	E
❖	H
❖	TH
	HG
❖	WG
❖	M
❖	O
☆	QS

Valance Corbel

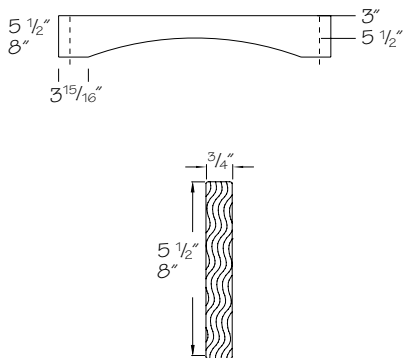


<i>5 1/2" high</i>	<i>8" high</i>
V18 CB	V1808 CB
V21 CB	V2108 CB
V24 CB	V2408 CB
V27 CB	V2708 CB
V30 CB	V3008 CB
V33 CB	V3308 CB
V36 CB	V3608 CB
V39 CB	V3908 CB
V42 CB	V4208 CB
V45 CB	V4508 CB
V48 CB	V4808 CB
V51 CB	V5108 CB
V54 CB	V5408 CB
V57 CB	V5708 CB
V60 CB	V6008 CB
V63 CB	V6308 CB
V66 CB	V6608 CB
V69 CB	V6908 CB
V72 CB	V7208 CB
V75 CB	V7508 CB
V78 CB	V7808 CB
V81 CB	V8108 CB
V84 CB	V8408 CB
V87 CB	V8708 CB
V90 CB	V9008 CB
V93 CB	V9308 CB
V96 CB	V9608 CB

- 3/4" thick solid wood
- Can be trimmed in field 1 1/2" each end
- Painted hardwood supplied for EverCore® and Thermofoil
- Painted or Stained hardwood supplied for Wood-Grain Foil door styles
- ☆ Quartersawn door styles are supplied plain sawn

❖	A
❖	C
❖	E
❖	H
❖	TH
	HG
❖	WG
❖	M
❖	O
☆	QS

Valance Shaker

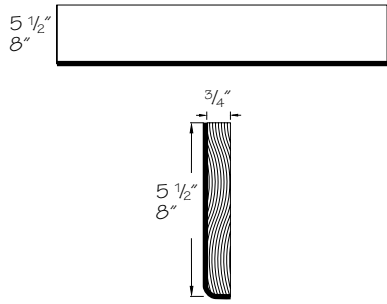


<i>5 1/2" high</i>	<i>8" high</i>
V18 SH	V1808 SH
V21 SH	V2108 SH
V24 SH	V2408 SH
V27 SH	V2708 SH
V30 SH	V3008 SH
V33 SH	V3308 SH
V36 SH	V3608 SH
V39 SH	V3908 SH
V42 SH	V4208 SH
V45 SH	V4508 SH
V48 SH	V4808 SH
V51 SH	V5108 SH
V54 SH	V5408 SH
V57 SH	V5708 SH
V60 SH	V6008 SH
V63 SH	V6308 SH
V66 SH	V6608 SH
V69 SH	V6908 SH
V72 SH	V7208 SH
V75 SH	V7508 SH
V78 SH	V7808 SH
V81 SH	V8108 SH
V84 SH	V8408 SH
V87 SH	V8708 SH
V90 SH	V9008 SH
V93 SH	V9308 SH
V96 SH	V9608 SH

- 3/4" thick solid wood
- Can be trimmed in field 1 1/2" each end
- Painted hardwood supplied for EverCore® and Thermofoil
- Painted or Stained hardwood supplied for Wood-Grain Foil door styles
- ☆ Quartersawn door styles are supplied plain sawn

❖	A
❖	C
❖	E
❖	H
❖	TH
	HG
❖	WG
❖	M
❖	O
☆	QS

Valance Contemporary

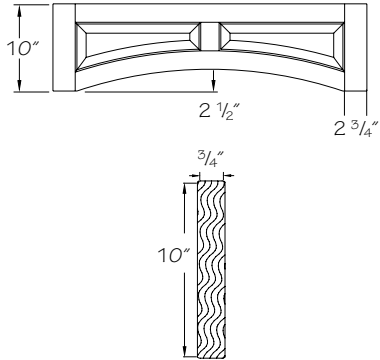


5 1/2" high	8" high
V18 C	V1808 C
V24 C	V2408 C
V30 C	V3008 C
V36 C	V3608 C
V48 C	V4808 C
V60 C	V6008 C
V72 C	V7208 C
V84 C	V8408 C
V96 C	V9608 C

- 3/4" thick solid wood
- Painted hardwood supplied for EverCore® and Thermofoil
- Foil-wrapped MDF supplied for Wood-Grain Foil door styles
- Trimmable in field
- ☆ Quartersawn door styles are supplied plain sawn

❖	A
❖	C
❖	E
❖	H
❖	TH
	HG
❖	WG
❖	M
❖	O
☆	QS

Valance Raised Panel

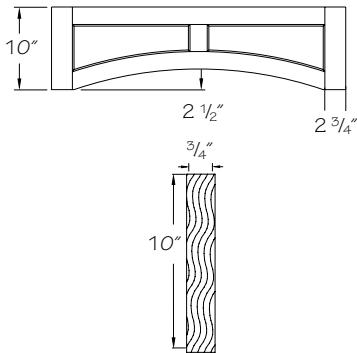


V30 RP
V36 RP
V42 RP
V48 RP
V54 RP
V60 RP

- 3/4" thick solid wood
- **Not** trimmable
- Painted hardwood supplied for EverCore® and Thermofoil
- Painted or Stained hardwood supplied for Wood-Grain Foil door styles
- ☆ Quartersawn door styles are supplied plain sawn

❖	A
❖	C
❖	E
❖	H
❖	TH
	HG
❖	WG
❖	M
❖	O
☆	QS

Valance Flat Panel

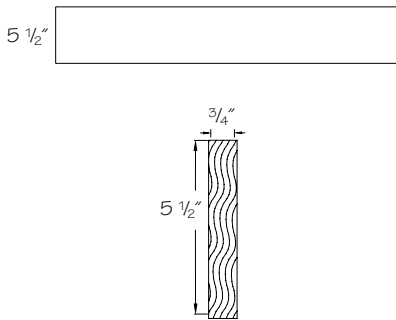


V30 FP
V36 FP
V42 FP
V48 FP
V54 FP
V60 FP

- 3/4" thick solid wood
- **Not** trimmable
- Painted hardwood supplied for EverCore® and Thermofoil
- Painted or Stained hardwood supplied for Wood-Grain Foil door styles
- ☆ Quartersawn door styles are supplied plain sawn

❖	A
❖	C
❖	E
❖	H
❖	TH
	HG
❖	WG
❖	M
❖	O
☆	QS

Valance Straight



V18 ST
V24 ST
V30 ST
V36 ST
V42 ST
V48 ST
V60 ST
V72 ST
V84 ST

- 3/4" thick solid wood
- Painted hardwood supplied for EverCore®
- Foil-wrapped MDF supplied for Wood-Grain Foil door styles
- Trimmable in field

❖	A
❖	C
❖	E
❖	H
	TH
	HG
❖	WG
❖	M
❖	O
❖	QS

Molding

Construction Options and Modifications

A	Alder
C	Cherry
E	EverCore®
H	Hickory
TH	Thermofoil
HG	High-Gloss Foil
WG	Wood-Grain Foil
M	Maple
O	Oak
QS	Quartersawn

ACM	8
code	length

- ❖ Included as standard
- Available with an upcharge
- ☆ Available with exceptions
- (Blank) **Not** available

We offer numerous moldings for decorative and finished applications. Moldings are available in some or all wood species. See chart for coding.

Material dimensions listed may vary slightly from actual dimensions of the product.

All molding ordered in quartersawn door styles will be supplied standard oak unless otherwise noted.

Moldings are **not** supplied in High-Gloss laminate and will be supplied with a matte sheen.

Specifications subject to change without notice.

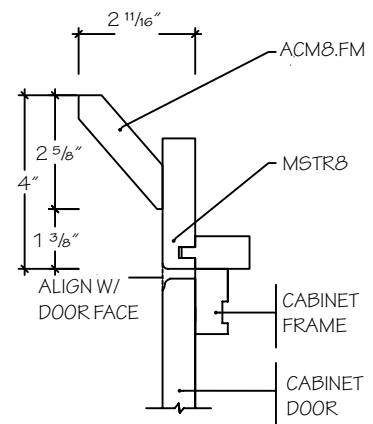
Note: Heavy, dark lines indicate finished surfaces.

Molding Stack Information



Supplies for installation

- Miter saw and sharp blade
- Screw gun, drill and bits
- 23 and 18 gauge pins and pinners
- Air compressor and hoses
- Laser or level
- Touch up kit and materials
- White soft rag
- Wood glue
- Clamps
- Hammer, nail set or spring loaded nail set
- Tape measure
- 4 ft. and 6 ft. ladder
- #2 pencil, white pencil and sharpener
- Cover for work area

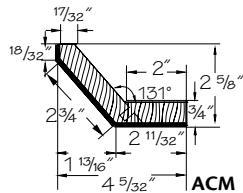


Installation Tips:

- Cover countertops and work area to ensure a clean, free from damage work situation.
- Use a nail gun with a 23 gauge pin for trim. Standard is typically 18 gauge, however the 23 gauge micro pin makes smallest holes to minimize fill work.
- Expect to lose up to 4"- 7" per cut when planning molding requirements.
- Apply finish material to the cut edges using a Touch Up Pen prior to joining the pieces together. This step will help conceal raw edges if the joint is slightly off.
- Start from either the right or left side when setting the top molding in place. Determine the desired overhang to wall cabinetry and door overlay type. Molding is typically pulled so the bottom edge is flush with the door face, however, the final overhang can be set to the customer's preference. Use the same process for under cabinet molding installation.
- Using Starter Molding is recommended, although, scrap material may be used as mounting blocks as long as they are **not** exposed after installation is complete. Use construction adhesive.
- Side return moldings: Cabinets with decorative end panels applied should have the same overhang as the face. For cabinets that have flush end panels, an overhang of 1/4" is recommended.
- Brad nail and pin length will be determined by the molding thickness (1/2" to 2" should suffice). Starter Molding or mounting blocks can be screwed into place instead of using nails or pins (**Note:** Drilling pilot holes is required when using screws. Be sure to use the proper screw length—based on material thickness). Using wood glue at the joints is recommended.
- After installation is complete, use a fill stick and touch up pen to fill nail holes, fine-tune miter joints and repair other blemishes that may have occurred during the installation process. Wipe clean using a soft cotton cloth.



To add Molding Stacks in your 2020 Design, locate them in the Drag 'N Drop list under: Moldings>Top Moldings>Pre-Stacked Moldings. To view the PDFs, right-click on a specific stack and go to specs.

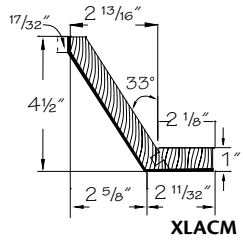


Angle Crown Molding

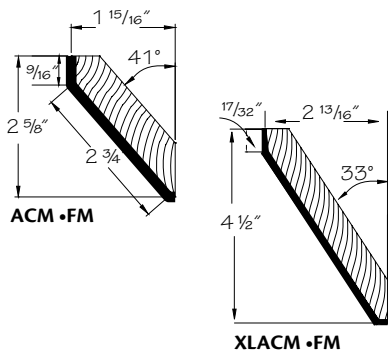
ACM8
ACM10
Extra Large
XLACM8
XLACM10

- Solid wood
- Angle Crown Molding (ACM) has foil-wrapped MDF and Extra Large Angle Crown Molding (XLACM) has painted hardwood supplied for White Thermofoil
- Painted hardwood supplied for EverCore®, and 10' molding
- Plain sawn material supplied for Bristow Crafted door styles
- Will have rustic characteristics when ordered in rustic door styles
- The mounting cleat is finished but is **not** a matching wood species to the face
- The mounting cleat is **not** intended to be exposed after installation
- Offered in 8' and 10' lengths

❖	A
❖	C
❖	E
❖	H
❖	TH
	HG
❖	WG
❖	M
❖	O
❖	QS



Remember to order "Furniture Ends" (FPEB) or a Wood Skin (WSK) for wall cabinets that will be at the end of a run when applying decorative moldings. This will result in a flush application on the return.

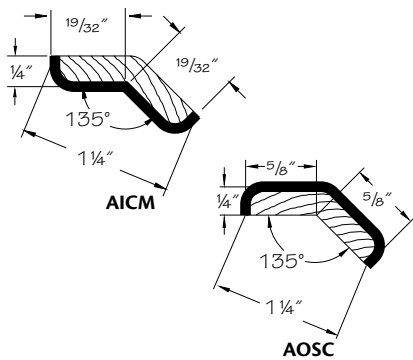


Angle Crown Molding-Face-Mount

ACM8 .FM
ACM10 .FM
Extra Large
XLACM8 .FM
XLACM10 .FM

- Solid wood
- Painted hardwood supplied for EverCore® and Thermofoil
- Painted or Stained hardwood supplied for Wood-Grain Foil door styles
- Will have rustic characteristics when ordered in rustic door styles
- Offered in 8' and 10' lengths

❖	A
❖	C
❖	E
❖	H
❖	TH
	HG
❖	WG
❖	M
❖	O
❖	QS

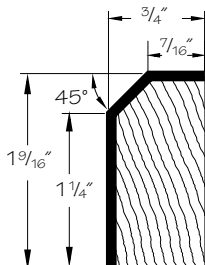


Angled Corner Molding

Inside
AICM8
Outside
AOSC8

- Solid wood
- Painted hardwood supplied for EverCore® and Thermofoil
- Painted or Stained hardwood supplied for Wood-Grain Foil door styles
- Crafted or Quartersawn door styles will be supplied in plain sawn wood
- Offered in 8' lengths

❖	A
❖	C
❖	E
❖	H
❖	TH
	HG
❖	WG
❖	M
❖	O
❖	QS



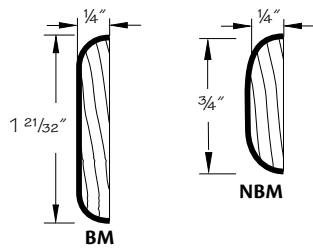
Angled Wood Edge

AWE8

- Solid wood
- Painted hardwood supplied for EverCore® and Thermofoil
- Painted or Stained hardwood supplied for Wood-Grain Foil door styles
- Crafted or Quartersawn door styles will be supplied in plain sawn wood
- Offered in 8' lengths

❖	A
❖	C
❖	E
❖	H
❖	TH
	HG
❖	WG
❖	M
❖	O
❖	QS

Batten Molding

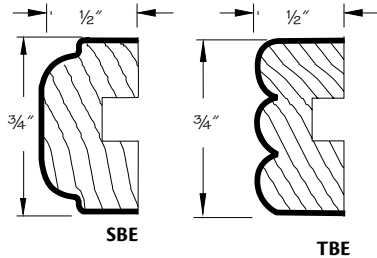


BM8
Narrow
NBM8

- Solid wood
- Painted hardwood supplied for EverCore® and Thermofoil
- Painted or Stained hardwood supplied for Wood-Grain Foil door styles
- Crafted or Quartersawn door styles will be supplied in plain sawn wood
- Offered in 8' lengths

❖	A
❖	C
❖	E
❖	H
❖	TH
❖	HG
❖	WG
❖	M
❖	O
❖	QS

Bead Edging

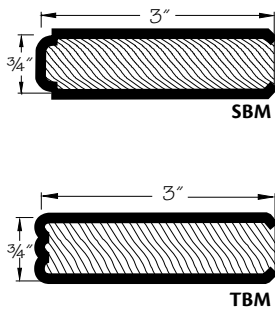


Single
SBE8
Triple
TBE8

- Solid wood
- Painted hardwood supplied for EverCore® and Thermofoil
- Painted or Stained hardwood supplied for Wood-Grain Foil door styles
- Crafted or Quartersawn door styles will be supplied in plain sawn wood
- Offered in 8' lengths

❖	A
❖	C
❖	E
❖	H
❖	TH
❖	HG
❖	WG
❖	M
❖	O
❖	QS

Bead Molding

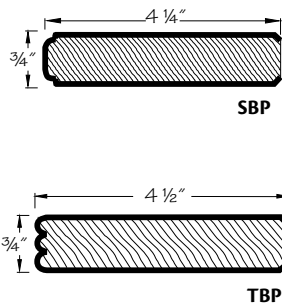


Single
SBM8
Triple
TBM8

- Solid wood
- Painted hardwood supplied for EverCore® and Thermofoil, except for Single Bead Molding (SBM8) which is foil-wrapped MDF supplied for White Thermofoils
- Painted or Stained hardwood supplied for Wood-Grain Foil door styles
- Crafted or Quartersawn door styles will be supplied in plain sawn wood
- Offered in 8' lengths

❖	A
❖	C
❖	E
❖	H
❖	TH
❖	HG
❖	WG
❖	M
❖	O
❖	QS

Bead Pilaster

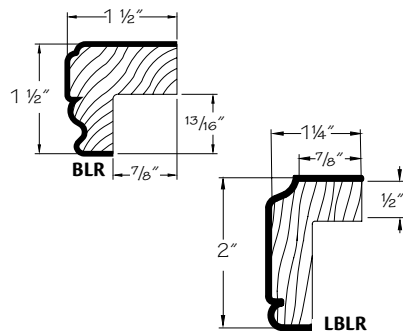


Single Bead
SBP8
Triple Bead
TBP8

- Solid wood
- Painted hardwood supplied for EverCore® and Thermofoil
- Painted or Stained hardwood supplied for Wood-Grain Foil door styles
- Crafted or Quartersawn door styles will be supplied in plain sawn wood
- Offered in 96' lengths

❖	A
❖	C
❖	E
❖	H
❖	TH
❖	HG
❖	WG
❖	M
❖	O
❖	QS

Beaded Light Rail

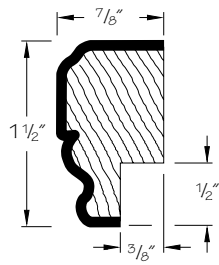


BLR8
Large
LBLR8

- Solid wood
- Painted hardwood supplied for EverCore® and Thermofoil
- Painted or Stained hardwood supplied for Wood-Grain Foil door styles
- Crafted or Quartersawn door styles will be supplied in plain sawn wood
- Offered in 8' lengths

❖	A
❖	C
❖	E
❖	H
❖	TH
❖	HG
❖	WG
❖	M
❖	O
❖	QS

Beaded Panel Molding

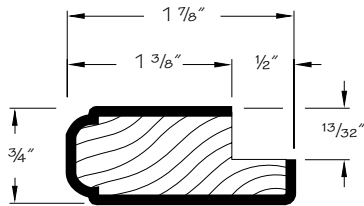


BPM8

- Solid wood
- Painted hardwood supplied for EverCore® and Thermofoil
- Painted or Stained hardwood supplied for Wood-Grain Foil door styles
- Crafted or Quartersawn door styles will be supplied in plain sawn wood
- Offered in 8' lengths

❖	A
❖	C
❖	E
❖	H
❖	TH
	HG
❖	WG
❖	M
❖	O
❖	QS

Cabinet Panel Edge



CPE8

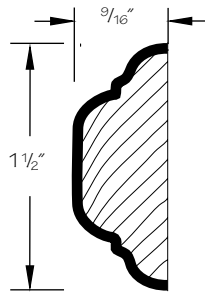
- Solid wood
- Painted hardwood supplied for EverCore® and Thermofoil
- Painted or Stained hardwood supplied for Wood-Grain Foil door styles
- Crafted or Quartersawn door styles will be supplied in plain sawn wood
- Offered in 8' lengths

❖	A
❖	C
❖	E
❖	H
❖	TH
	HG
❖	WG
❖	M
❖	O
❖	QS



Remember to account for miter cuts and returns when choosing the amount of molding needed for a job.

Chair Rail

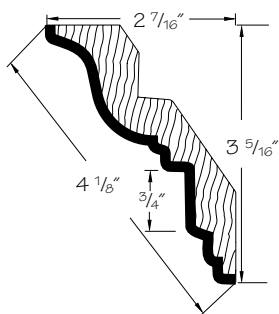


CR8

- Solid wood
- Painted hardwood supplied for EverCore® and Thermofoil
- Painted or Stained hardwood supplied for Wood-Grain Foil door styles
- Crafted or Quartersawn door styles will be supplied in plain sawn wood
- Designed to overlay LM8
- Offered in 8' lengths

❖	A
❖	C
❖	E
❖	H
❖	TH
	HG
❖	WG
❖	M
❖	O
❖	QS

Classic Crown Molding



CCM8 .NG
CCM10 .NG

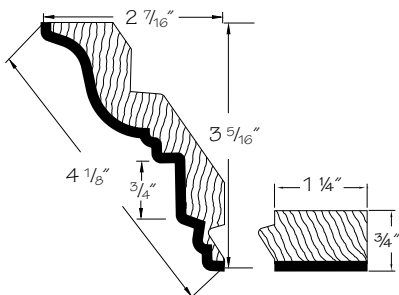


Use **caution** when applying Classic Crown Molding (CCM8), Crown Molding (CM8), etc., when "stair stepping" wall cabinets in full overlay door styles otherwise the doors may hit the molding while opening.

- Solid wood
- Foil-wrapped MDF supplied for White Thermofoil
- Painted hardwood supplied for EverCore®, and 10' molding
- Painted or Stained hardwood supplied for Wood-Grain Foil door styles
- Crafted or Quartersawn door styles will be supplied in plain sawn wood
- Will have rustic characteristics when ordered in rustic door styles
- Offered in 8' and 10' lengths

❖	A
❖	C
❖	E
❖	H
❖	TH
	HG
❖	WG
❖	M
❖	O
❖	QS

Classic Crown Molding w/Molding Mounting Strip

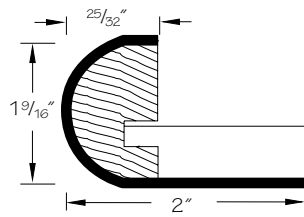


CCM8 .MS
CCM10 .MS

- Solid wood
- Painted hardwood supplied for EverCore®
- Painted or Stained hardwood supplied for Wood-Grain Foil door styles
- Crafted or Quartersawn door styles will be supplied in plain sawn wood
- Will have rustic characteristics when ordered in rustic door styles
- Mounting strip may be installed first, allowing for easier alignment and quicker installation of grooved moldings
- Shipped as two pieces
- Offered in 8' and 10' lengths

❖	A
❖	C
❖	E
❖	H
	TH
	HG
❖	WG
❖	M
❖	O
❖	QS

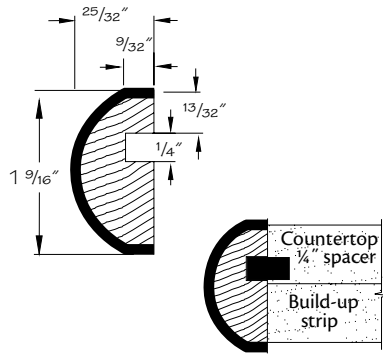
Contemporary Wood Crown



CWC8

- Solid wood
- Painted hardwood supplied for EverCore® and Thermofoil
- Painted or Stained hardwood supplied for Wood-Grain Foil door styles
- Crafted or Quartersawn door styles will be supplied in plain sawn wood
- Offered in 8' lengths

A
❖ C
❖ E
❖ H
❖ TH
❖ HG
❖ WG
❖ M
❖ O
❖ QS

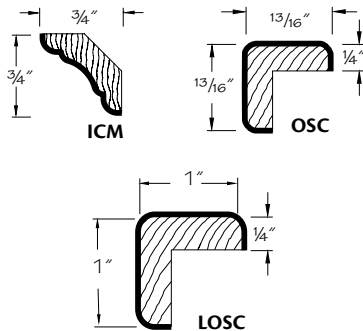


Contemporary Wood Edge

CWE8

- Solid wood
- Painted hardwood supplied for EverCore® and Thermofoil
- Painted or Stained hardwood supplied for Wood-Grain Foil door styles
- Crafted or Quartersawn door styles will be supplied in plain sawn wood
- Offered in 8' lengths

A
❖ C
❖ E
❖ H
❖ TH
❖ HG
❖ WG
❖ M
❖ O
❖ QS



Corner Molding

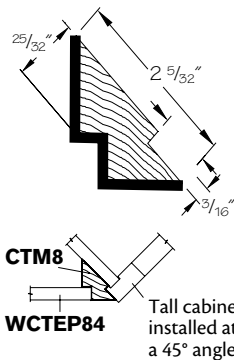
Inside
ICM8

Outside
OSC8

Large Outside
LOSC8

- Solid wood
- Painted hardwood supplied for EverCore® and Thermofoil, except for Outside Corner Molding (OSC8) which is foil-wrapped MDF supplied for Thermofoils
- Painted or Stained hardwood supplied for Wood-Grain Foil door styles
- Crafted or Quartersawn door styles will be supplied in plain sawn wood
- OSC8 is 1" x 1" when ordered in Foil doors styles
- Offered in 8' lengths

❖ A
❖ C
❖ E
❖ H
❖ TH
❖ HG
❖ WG
❖ M
❖ O
❖ QS

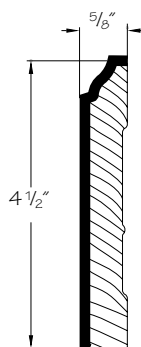


Corner Tall Molding

CTM8

- Solid wood
- Painted or Stained hardwood supplied for Wood-Grain Foil door styles
- Oak supplied for Hickory
- Crafted or Quartersawn door styles will be supplied in plain sawn wood
- See Option #2 in the Diagonal Installation of Standard Tall Cabinets located in Tall Accessories
- Corner Tall End Panel (CTEP) and Corner Tall Molding (CTM8) are sold separately
- Offered in 8' lengths
- **Note:** For use with WCTEP 84 or 96 only; will **not** work with WTEP

❖ A
❖ C
❖ E
❖ H
❖ TH
❖ HG
❖ WG
❖ M
❖ O
❖ QS



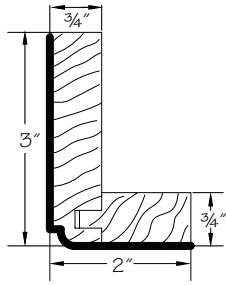
Cove Base Board Extended

CVBBE8

- Solid wood
- Painted hardwood supplied for EverCore® and Thermofoil
- Foil-wrapped MDF supplied for White Thermofoil
- Painted hardwood supplied for EverCore®
- Painted or Stained hardwood supplied for Wood-Grain Foil door styles
- Crafted or Quartersawn door styles will be supplied in plain sawn wood
- Offered in 8' lengths

❖ A
❖ C
❖ E
❖ H
❖ TH
❖ HG
❖ WG
❖ M
❖ O
❖ QS

Empire Starter Molding

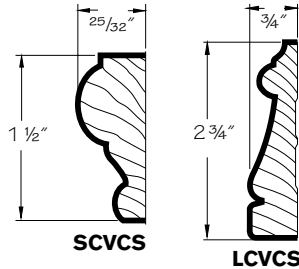


EPSTR8

- Solid wood
- Painted hardwood supplied for EverCore®
- Painted or Stained hardwood supplied for Wood-Grain Foil door styles
- Crafted or Quartersawn door styles will be supplied in plain sawn wood
- Offered in 8' lengths

❖	A
❖	C
❖	E
❖	H
❖	TH
	HG
❖	WG
❖	M
❖	O
❖	QS

Cove Casing



Small

SCVCS8

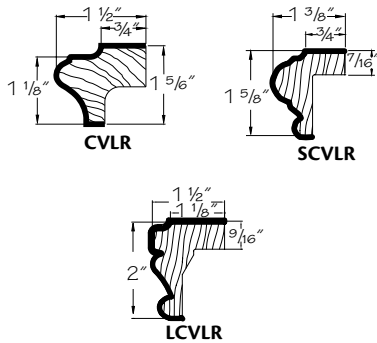
Large

LCVCS8

- Solid wood
- Painted hardwood supplied for EverCore®
- Painted or Stained hardwood supplied for Wood-Grain Foil door styles
- Small Cove Casing (SCVCS) will have painted hardwood and Large Cove Casing (LCVCS) will have foil wrapped MDF supplied for Thermofoil
- Crafted or Quartersawn door styles will be supplied in plain sawn wood
- Offered in 8' lengths

❖	A
❖	C
❖	E
❖	H
❖	TH
	HG
❖	WG
❖	M
❖	O
❖	QS

Cove Light Rail



CVLR8

Small

SCVLR8

Large

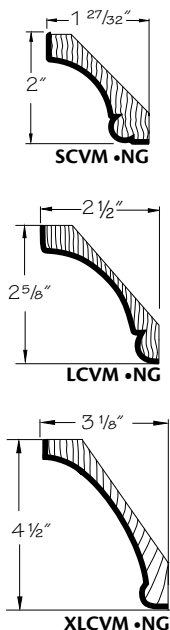
❖ **LCVLR8**

❖ Groove accepts LED tape lighting

- Solid wood
- Painted hardwood supplied for EverCore®, except for Cove Light Rail (CVLR8), which is Painted hardwood supplied for Thermofoil
- Painted or Stained hardwood supplied for Wood-Grain Foil door styles
- Crafted or Quartersawn door styles will be supplied in plain sawn wood
- Offered in 8' lengths

❖	A
❖	C
❖	E
❖	H
❖	TH
	HG
❖	WG
❖	M
❖	O
❖	QS

Cove Molding



Small

SCVM8 .NG

SCVM10 .NG

Large

LCVM8 .NG

LCVM10 .NG

Extra Large

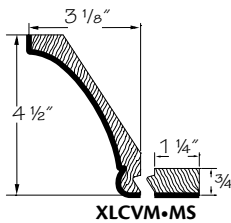
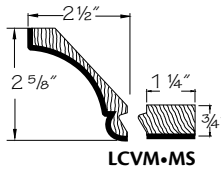
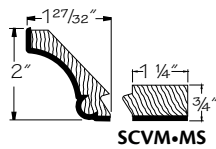
XLCVM8 .NG

XLCVM10 .NG

- Solid wood
- Painted hardwood supplied for EverCore®, and 10' molding, except for Small Cove Molding (SCVM8) and Large Cove Molding (LCVM8), which will have foil-wrapped MDF supplied for White Thermofoil
- Painted or Stained hardwood supplied for Wood-Grain Foil door styles
- Crafted or Quartersawn door styles will be supplied in plain sawn wood
- Offered in 8' and 10' lengths

❖	A
❖	C
❖	E
❖	H
❖	TH
	HG
❖	WG
❖	M
❖	O
❖	QS

Cove Molding w/Molding Mounting Strip



Small

SCVM8 .MS
SCVM10 .MS

Large

LCVM8 .MS
LCVM10 .MS

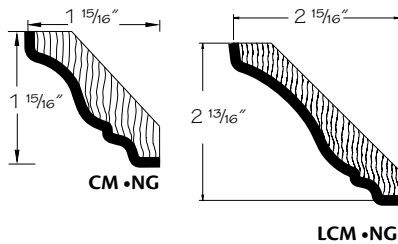
Extra Large

XLCVM8 .MS
XLCVM10 .MS

- Solid wood
- Painted hardwood supplied for EverCore®
- Painted or Stained hardwood supplied for Wood-Grain Foil door styles
- Crafted or Quartersawn door styles will be supplied in plain sawn wood
- Mounting strip may be installed first, allowing for easier alignment and quicker installation of grooved moldings
- Shipped as two pieces
- Offered in 8' and 10' lengths

❖	A
❖	C
❖	E
❖	H
	TH
	HG
❖	WG
❖	M
❖	O
❖	QS

Crown Molding



CM8 .NG
CM10 .NG

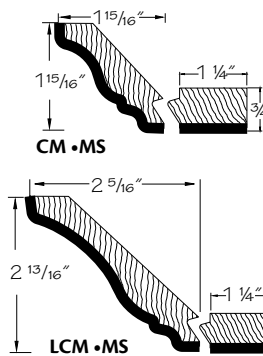
Large

LCM8 .NG
LCM10 .NG

- Solid wood
- CM8 is supplied as foil wrapped MDF for Thermofoil®
- LCM8, LCM10 and CM10 are supplied Painted hardwood for Thermofoils and EverCore®
- Painted or Stained hardwood supplied for Wood-Grain Foil door styles
- Crafted or Quartersawn door styles will be supplied in plain sawn wood
- Will have rustic characteristics when ordered in rustic door styles
- Offered in 8' and 10' lengths

❖	A
❖	C
❖	E
❖	H
❖	TH
	HG
❖	WG
❖	M
❖	O
❖	QS

Crown Molding w/Molding Mounting Strip



CM8 .MS
CM10 .MS

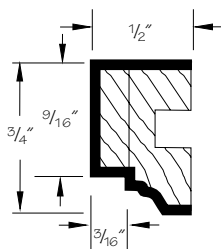
Large

LCM8 .MS
LCM10 .MS

- Solid wood
- Painted hardwood supplied for EverCore®
- Painted or Stained hardwood supplied for Wood-Grain Foil door styles
- Crafted or Quartersawn door styles will be supplied in plain sawn wood
- Will have rustic characteristics when ordered in rustic door styles
- Mounting strip may be installed first, allowing for easier alignment and quicker installation of grooved moldings
- Shipped as two pieces
- Offered in 8' and 10' lengths

❖	A
❖	C
❖	E
❖	H
	TH
	HG
❖	WG
❖	M
❖	O
❖	QS

Dentil Edging



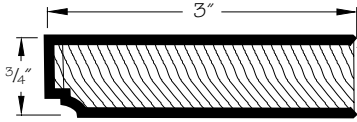
DE8

- Solid wood
- Painted hardwood supplied for EverCore® and Thermofoil
- Painted or Stained hardwood supplied for Wood-Grain Foil door styles
- Crafted or Quartersawn door styles will be supplied in plain sawn wood
- Offered in 8' lengths

	A
❖	C
❖	E
❖	H
❖	TH
	HG
❖	WG
❖	M
❖	O
❖	QS

Dentil Molding

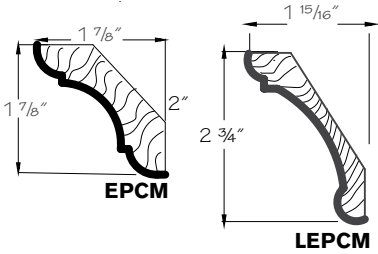
DM8



- Solid wood
- Painted hardwood supplied for EverCore® and Thermofoil
- Painted or Stained hardwood supplied for Wood-Grain Foil door styles
- Crafted or Quartersawn door styles will be supplied in plain sawn wood
- Offered in 8' lengths

❖	A
❖	C
❖	E
❖	H
❖	TH
	HG
❖	WG
❖	M
❖	O
❖	QS

Empire Crown Molding

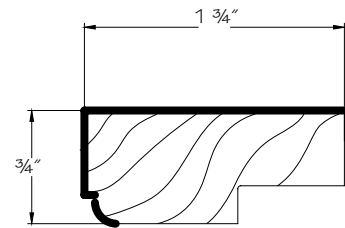


EPCM8 EPCM10 *Large* LEPCM8 LEPCM10

- Solid wood
- Painted hardwood supplied for EverCore®
- Painted or Stained hardwood supplied for Wood-Grain Foil door styles
- Crafted or Quartersawn door styles will be supplied in plain sawn wood
- Offered in 8' and 10' lengths

❖	A
❖	C
❖	E
❖	H
❖	TH
	HG
❖	WG
❖	M
❖	O
❖	QS

Empire Light Rail

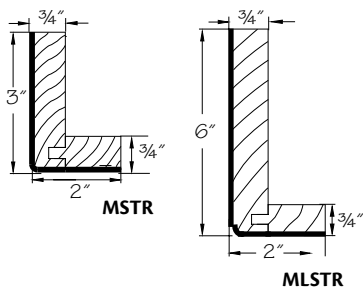


EPLR8

- Solid wood
- Painted hardwood supplied for EverCore®
- Painted or Stained hardwood supplied for Wood-Grain Foil door styles
- Crafted or Quartersawn door styles will be supplied in plain sawn wood
- Offered in 8' lengths

❖	A
❖	C
❖	E
❖	H
❖	TH
	HG
❖	WG
❖	M
❖	O
❖	QS

Mission Starter Molding

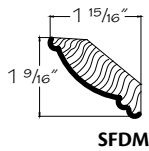


MSTR8 *Large* MLSTR8

- Solid wood
- Painted hardwood supplied for EverCore®
- Plain sawn material supplied for Bristow Crafted Cherry and Maple door styles. Quartersawn Oak supplied for Bristow Crafted Oak door styles
- Painted or Stained hardwood supplied for Wood-Grain Foil door styles
- Offered in 8' lengths

❖	A
❖	C
❖	E
❖	H
	TH
	HG
☆	WG
❖	M
❖	O
❖	QS

Federal Molding



SFDM8

Small

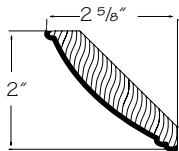
SFDM8

Large

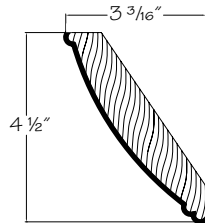
LFDM8

Extra Large

XLFDM8



LFDM8

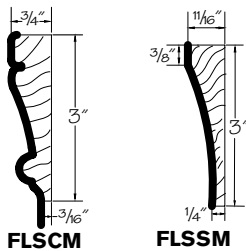


XLFDM8

- Solid wood
- Painted hardwood supplied for EverCore® and Thermofoil
- Can be installed with double bead on top or bottom
- ☆ Painted hardwood supplied for Wood-Grain Foil door styles; only available in white
- Offered in 8' lengths

❖	A
❖	C
❖	E
❖	H
❖	TH
❖	HG
☆	WG
❖	M
❖	O
❖	QS

Floating Shelf Molding - Cove & Sterling



FLSCM8

FLSSM8

Cove

FLSCM8

Sterling

FLSSM8

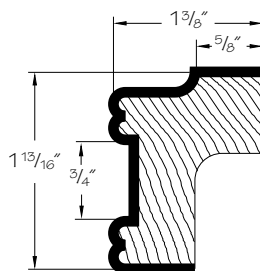
- Solid wood
- Painted hardwood supplied for EverCore® and Thermofoil
- Painted or Stained hardwood supplied for Wood-Grain Foil door styles
- Offered in 8' lengths



Floating Shelf Moldings can also be used in applications around window and door frames

❖	A
❖	C
❖	E
❖	H
❖	TH
❖	HG
❖	WG
❖	M
❖	O
❖	QS

Inset Light Rail

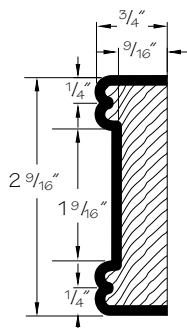


ILR8

- Solid wood
- Allows application of 3/4" inserts
- Painted hardwood supplied for EverCore® and Thermofoil
- Painted or Stained hardwood supplied for Wood-Grain Foil door styles
- Crafted or Quartersawn door styles will be supplied in plain sawn wood
- Offered in 8' lengths

❖	A
❖	C
❖	E
❖	H
❖	TH
❖	HG
❖	WG
❖	M
❖	O
❖	QS

Library Molding

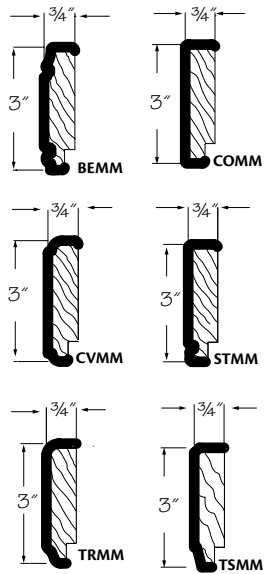


LM8

- Solid wood
- Painted hardwood supplied for EverCore® and Thermofoil
- Painted or Stained hardwood supplied for Wood-Grain Foil door styles
- Crafted or Quartersawn door styles will be supplied in plain sawn wood
- Offered in 8' lengths

❖	A
❖	C
❖	E
❖	H
❖	TH
❖	HG
❖	WG
❖	M
❖	O
❖	QS

Mirror Molding



Beaded

BEMM8

Contemporary

COMM8

Cove

CVMM8

Sterling

STMM8

Traditional

TRMM8

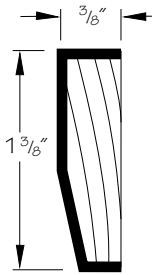
Transitional

TSMM8

- Solid wood
- Painted hardwood supplied for EverCore® and Thermofoil
- Foil-wrapped MDF supplied for Wood-Grain Foil door styles
- Crafted or Quartersawn door styles will be supplied in plain sawn wood
- Offered in 8' lengths

❖	A
❖	C
❖	E
❖	H
❖	TH
❖	HG
❖	WG
❖	M
❖	O
❖	QS

Mission Batten Molding

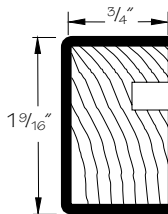


MBM8

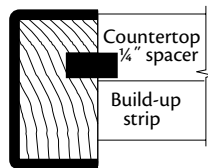
- Solid wood
- Painted hardwood supplied for EverCore®
- Plain sawn material supplied for Bristow Crafted Cherry and Maple door styles. Quartersawn Oak supplied for Bristow Crafted Oak door styles
- ☆ Painted hardwood supplied for Wood-Grain Foil door styles; only available in white
- Offered in 8' lengths

❖	A
❖	C
❖	E
❖	H
	TH
	HG
☆	WG
❖	M
❖	O
❖	QS

Mission Flat Wood Edge



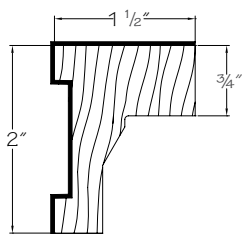
MFWE8



- Solid wood
- Painted hardwood supplied for EverCore®
- Plain sawn material supplied for Bristow Crafted Cherry and Maple door styles. Quartersawn Oak supplied for Bristow Crafted Oak door styles
- Painted or Stained hardwood supplied for Wood-Grain Foil door styles
- Offered in 8' lengths

❖	A
❖	C
❖	E
❖	H
	TH
	HG
☆	WG
❖	M
❖	O
❖	QS

Mission Light Rail

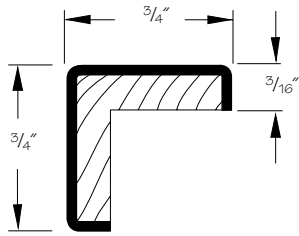


MLR8

- Solid wood
- Painted hardwood supplied for EverCore® and Thermofoil
- Painted or Stained hardwood supplied for Wood-Grain Foil door styles
- Groove accepts LED tape lighting
- Offered in 8' lengths

❖	A
❖	C
❖	E
❖	H
❖	TH
	HG
❖	WG
❖	M
❖	O
❖	QS

Mission Outside Corner

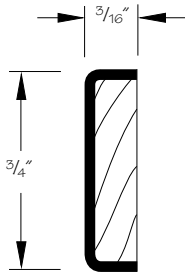


MOSC8

- Solid wood
- Painted hardwood supplied for EverCore®
- Painted or Stained hardwood supplied for Wood-Grain Foil door styles
- Offered in 8' lengths

❖	A
❖	C
❖	E
❖	H
	TH
	HG
❖	WG
❖	M
❖	O
❖	QS

Mission Scribe Molding

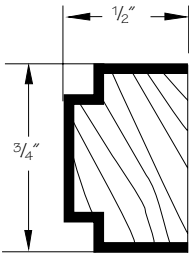


MSM8

- Solid wood
- Painted hardwood supplied for EverCore®
- Plain sawn material supplied for Bristow Crafted Cherry and Maple door styles. Quartersawn Oak supplied for Bristow Crafted Oak door styles
- Painted or Stained hardwood supplied for Wood-Grain Foil door styles
- Offered in 8' lengths

❖	A
❖	C
❖	E
❖	H
	TH
	HG
☆	WG
❖	M
❖	O
❖	QS

Mission Single Bead Edging

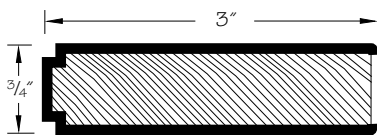


MSBE8

- Solid wood
- Painted hardwood supplied for EverCore®
- Plain sawn material supplied for Bristow Crafted Cherry and Maple door styles. Quartersawn Oak supplied for Bristow Crafted Oak door styles
- Painted or Stained hardwood supplied for Wood-Grain Foil door styles
- Offered in 8' lengths

❖	A
❖	C
❖	E
❖	H
	TH
	HG
☆	WG
❖	M
❖	O
❖	QS

Mission Single Bead Molding

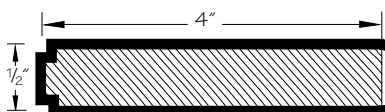


MSBM8

- Solid wood
- Painted hardwood supplied for EverCore®
- Plain sawn material supplied for Bristow Crafted Cherry and Maple door styles. Quartersawn Oak supplied for Bristow Crafted Oak door styles
- Painted or Stained hardwood supplied for Wood-Grain Foil door styles
- Offered in 8' lengths

❖	A
❖	C
❖	E
❖	H
	TH
	HG
☆	WG
❖	M
❖	O
❖	QS

Mission Single Bead Pilaster

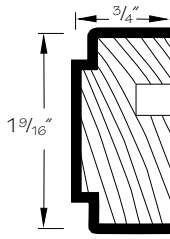


MSBP8

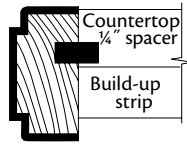
- Solid wood
- Painted hardwood supplied for EverCore®
- Plain sawn material supplied for Bristow Crafted Cherry and Maple door styles. Quartersawn Oak supplied for Bristow Crafted Oak door styles
- Painted or Stained hardwood supplied for Wood-Grain Foil door styles
- Offered in 96' lengths

❖	A
❖	C
❖	E
❖	H
	TH
	HG
☆	WG
❖	M
❖	O
❖	QS

Mission Single Bead Wood Edge



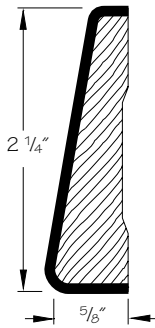
MSBWE8



- Solid wood
- Painted hardwood supplied for EverCore®
- Plain sawn material supplied for Bristow Crafted Cherry and Maple door styles. Quartersawn Oak supplied for Bristow Crafted Oak door styles
- Painted or Stained hardwood supplied for Wood-Grain Foil door styles
- Offered in 8' lengths

❖	A
❖	C
❖	E
❖	H
	TH
	HG
☆	WG
❖	M
❖	O
❖	QS

Modern Casing

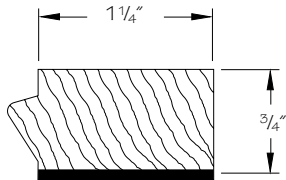


**MCS4
MCS7**

- Solid wood
- Painted hardwood supplied for EverCore® and Thermofoil
- Painted or Stained hardwood supplied for Wood-Grain Foil door styles
- Crafted or Quartersawn door styles will be supplied in plain sawn wood
- Offered in 4' and 7' lengths

	A
❖	C
❖	E
❖	H
❖	TH
	HG
❖	WG
❖	M
❖	O
❖	QS

Molding Mounting Strip

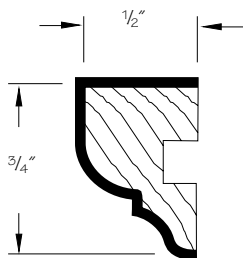


**MS8
MS10**

- Solid wood
- Painted hardwood supplied for EverCore®
- Painted or Stained hardwood supplied for Wood-Grain Foil door styles
- Crafted or Quartersawn door styles will be supplied in plain sawn wood
- Mounting strip may be installed first, allowing for easier alignment and quicker installation of grooved moldings
- Works with all Cove and Crown combination molding and mounting strips
- Offered in 8' and 10' lengths

❖	A
❖	C
❖	E
❖	H
	TH
	HG
❖	WG
❖	M
❖	O
❖	QS

Ogee Edging

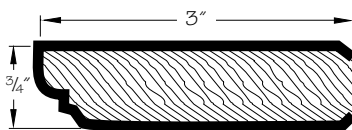


OGE8

- Solid wood
- Painted hardwood supplied for EverCore® and Thermofoil
- Painted or Stained hardwood supplied for Wood-Grain Foil door styles
- Crafted or Quartersawn door styles will be supplied in plain sawn wood
- Offered in 8' lengths

❖	A
❖	C
❖	E
❖	H
❖	TH
	HG
❖	WG
❖	M
❖	O
❖	QS

Ogee Molding



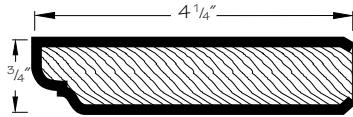
OGM8

- Solid wood
- Painted hardwood supplied for EverCore® and Thermofoil
- Painted or Stained hardwood supplied for Wood-Grain Foil door styles
- Crafted or Quartersawn door styles will be supplied in plain sawn wood
- Offered in 8' lengths

❖	A
❖	C
❖	E
❖	H
❖	TH
	HG
❖	WG
❖	M
❖	O
❖	QS

Ogee Pilaster

OGP8

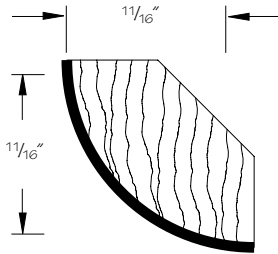


- Solid wood
- Foil-wrapped MDF supplied for White Thermofoil
- Painted hardwood supplied for EverCore®
- Painted or Stained hardwood supplied for Wood-Grain Foil door styles
- Crafted or Quartersawn door styles will be supplied in plain sawn wood
- Offered in 96' lengths

❖	A
❖	C
❖	E
❖	H
❖	TH
	HG
❖	WG
❖	M
❖	O
❖	QS

Quarter Round Molding

QR8



- Solid wood
- Foil-wrapped MDF supplied for White Thermofoil
- Painted hardwood supplied for EverCore®
- Painted or Stained hardwood supplied for Wood-Grain Foil door styles
- Crafted or Quartersawn door styles will be supplied in plain sawn wood
- Offered in 8' lengths

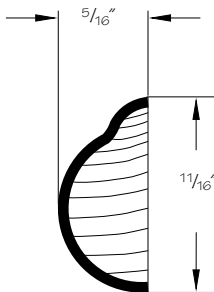
❖	A
❖	C
❖	E
❖	H
❖	TH
	HG
❖	WG
❖	M
❖	O
❖	QS



Apply Shoe Molding (SHO8) at the base of Matching Toe Kicks or Wood Matching Toe Kicks (MTK8 or WMTK8) for a nice, finished look.

Ribbon Twist Molding

RTM8



- Solid wood
- Painted hardwood supplied for EverCore® and Thermofoil
- Carved
- Painted or Stained hardwood supplied for Wood-Grain Foil door styles
- Beech supplied for Hickory, Oak and quartersawn Oak
- Component will **not** contain rustic characteristics when ordered in a rustic door style
- Offered in 8' lengths

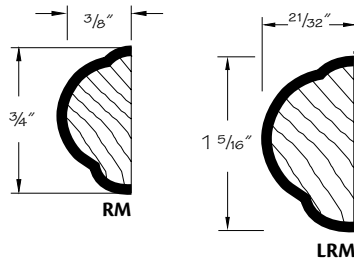
❖	A
❖	C
❖	E
❖	H
❖	TH
	HG
❖	WG
❖	M
❖	O
❖	QS

Rope Molding

▲ RM8

Large

*+ LRM8



- ▲ Oak supplied for Hickory
- * **Not** available in Rustic Alder door styles
- + Apply with small brad

- Solid wood
- Painted hardwood supplied for EverCore® and Thermofoil
- Painted or Stained hardwood supplied for Wood-Grain Foil door styles
- Crafted or Quartersawn door styles will be supplied in plain sawn wood
- Component will **not** contain rustic characteristics when ordered in a rustic door style
- Offered in 8' lengths

☆	A
❖	C
❖	E
❖	H
❖	TH
	HG
❖	WG
❖	M
❖	O
❖	QS



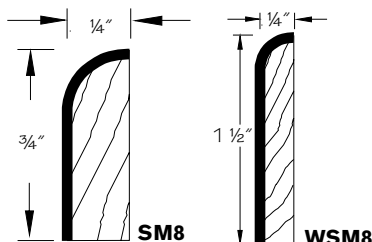
Applying Rope Molding (RM8) or Dentil Edging (DE8) to the inlay of Classic Crown Molding (CCM8) before making cuts will enable you to condense two cuts into one.

Scribe Molding

SM8

Wide Scribe

WSM8



- Solid wood
- Foils are foil wrapped MDF
- Painted hardwood supplied for EverCore®
- Crafted or Quartersawn door styles will be supplied in plain sawn wood
- Offered in 8' lengths

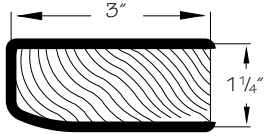
❖	A
❖	C
❖	E
❖	H
❖	TH
	HG
❖	WG
❖	M
❖	O
❖	QS



Let your customers know if they have left-over pieces of Scribe Molding (SM8) to consider using them to finish the ends of exposed matching toe kick.

Shaped Molding

SHM8

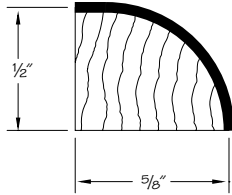


- Solid wood
- Painted hardwood supplied for EverCore® and Thermofoil
- Painted or Stained hardwood supplied for Wood-Grain Foil door styles
- Crafted or Quartersawn door styles will be supplied in plain sawn wood
- Offered in 8' lengths

❖	A
❖	C
❖	E
❖	H
❖	TH
	HG
❖	WG
❖	M
❖	O
❖	QS

Shoe Molding

SHO8

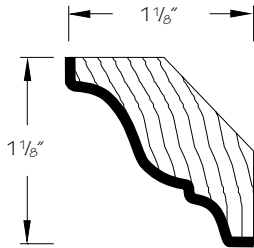


- Solid wood
- Painted hardwood supplied for EverCore® and Thermofoil
- Painted or Stained hardwood supplied for Wood-Grain Foil door styles
- Crafted or Quartersawn door styles will be supplied in plain sawn wood
- Offered in 8' lengths

❖	A
❖	C
❖	E
❖	H
❖	TH
	HG
❖	WG
❖	M
❖	O
❖	QS

Soffit Crown Molding

SCM8 SCM10



- Solid wood
- Foil-wrapped MDF supplied for White Thermofoil
- Painted hardwood supplied for EverCore®, and 10' molding
- Painted or Stained hardwood supplied for Wood-Grain Foil door styles
- Crafted or Quartersawn door styles will be supplied in plain sawn wood
- Offered in 8' and 10' lengths

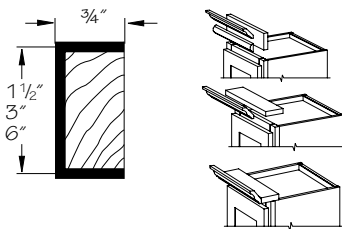
❖	A
❖	C
❖	E
❖	H
❖	TH
	HG
❖	WG
❖	M
❖	O
❖	QS



Remember to account for miter cuts and returns when choosing the amount of molding needed for a job.

Solid Stock

☆ S3S1 ☆ S3S3 ☆ S3S6



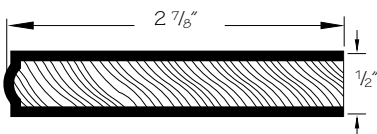
- ☆ Crafted or Quartersawn door styles will be supplied in plain sawn wood

- Solid wood
- Painted hardwood supplied for EverCore® and Thermofoil
- Painted or Stained hardwood supplied for Wood-Grain Foil door styles
- Use solid stock material as finished nailing strip for molding applications
- When ordered in Distressed or Vintage finishes, solid stock will receive applicable finish
- Offered in 1 1/2", 3" and 6" lengths

❖	A
❖	C
❖	E
❖	H
❖	TH
	HG
❖	WG
❖	M
❖	O
❖	QS

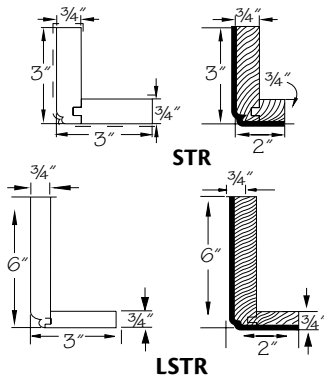
Stack Molding

STM8



- Solid wood
- Painted hardwood supplied for EverCore® and Thermofoil
- Painted or Stained hardwood supplied for Wood-Grain Foil door styles
- Crafted or Quartersawn door styles will be supplied in plain sawn wood
- Offered in 8' lengths

❖	A
❖	C
❖	E
❖	H
❖	TH
	HG
❖	WG
❖	M
❖	O
❖	QS



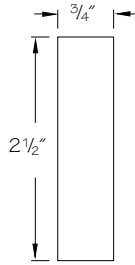
Starter Molding

STR8
STR10
Large
LSTR8
LSTR10

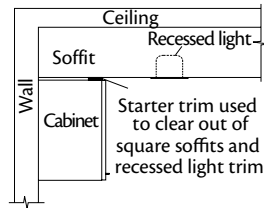
- Solid wood
- Painted hardwood supplied for EverCore® and Thermofoil, except for Starter Molding (STR8) is foil-wrapped MDF supplied for White Thermofoil
- Painted or Stained hardwood supplied for Wood-Grain Foil door styles
- Crafted or Quartersawn door styles will be supplied in plain sawn wood
- Will have rustic characteristics when ordered in rustic door styles
- Offered in 8' and 10' lengths

❖	A
❖	C
	E
❖	H
❖	TH
	HG
❖	WG
❖	M
❖	O
❖	QS

Starter Trim



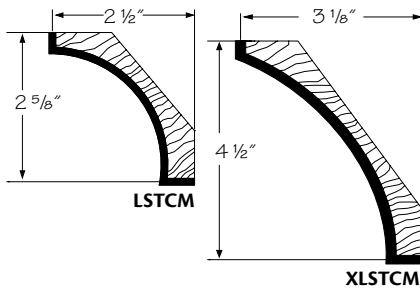
ST8



- 3/4" melamine
- Edgebanded one long edge
- ☆ Only available in White Thermofoil door styles
- Offered in 96' lengths

	A
	C
	E
	H
☆	TH
	HG
	WG
	M
	O
	QS

Sterling Crown Molding



Large
LSTCM8
Extra Large
XLSTCM8

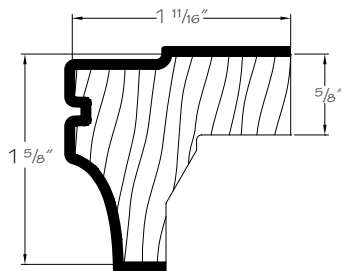
- Solid wood
- Painted hardwood supplied for EverCore® and Thermofoil
- ☆ Painted hardwood supplied for Wood-Grain Foil door styles; only available in white
- Offered in 8' lengths



The Sterling Collection design combines automated wood-machining processes with hand detailing. Because of the hand detailing, slight imperfection and/or differences may exist from part to part and are normal. These do **not** affect the structural performance of the product but enhance the aesthetics of each piece.

❖	A
❖	C
❖	E
	H
❖	TH
	HG
☆	WG
❖	M
	O
	QS

Sterling Light Rail



STLR8

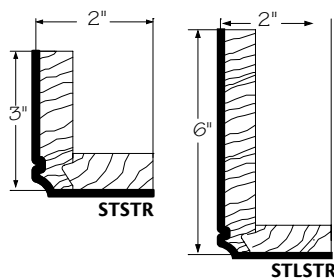
- Solid wood
- Painted hardwood supplied for EverCore® and Thermofoil
- ☆ Painted hardwood supplied for Wood-Grain Foil door styles; only available in white
- Groove accepts LED tape lighting
- Offered in 8' lengths



The Sterling Collection design combines automated wood-machining processes with hand detailing. Because of the hand detailing, slight imperfection and/or differences may exist from part to part and are normal. These do **not** affect the structural performance of the product but enhance the aesthetics of each piece.

❖	A
❖	C
❖	E
	H
❖	TH
	HG
☆	WG
❖	M
	O
	QS

Sterling Starter Molding



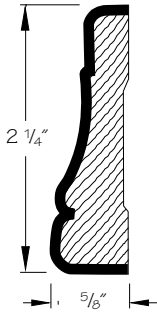
STSTR8
Large
STLSTR8

- Solid wood
- Painted hardwood supplied for EverCore® and Thermofoil
- ☆ Painted hardwood supplied for Wood-Grain Foil door styles; only available in white
- Offered in 8' lengths



The Sterling Collection design combines automated wood-machining processes with hand detailing. Because of the hand detailing, slight imperfection and/or differences may exist from part to part and are normal. These do **not** affect the structural performance of the product but enhance the aesthetics of each piece.

❖	A
❖	C
❖	E
	H
❖	TH
	HG
☆	WG
❖	M
	O
	QS



Traditional Casing

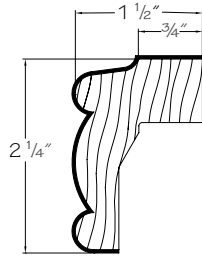
TCS4
TCS7

- Solid wood
- Painted hardwood supplied for EverCore® and Thermofoil
- Painted or Stained hardwood supplied for Wood-Grain Foil door styles
- Crafted or Quartersawn door styles will be supplied in plain sawn wood
- Offered in 4' and 7' lengths

❖	A
❖	C
❖	E
❖	H
❖	TH
	HG
❖	WG
❖	M
❖	O
❖	QS



Remember to account for miter cuts and returns when choosing the amount of molding needed for a job.

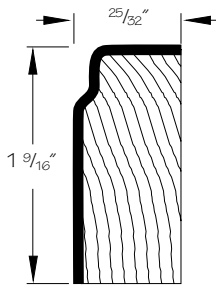


Traditional Light Rail

TLR8

- Solid wood
- Painted hardwood supplied for EverCore® and Thermofoil
- Painted or Stained hardwood supplied for Wood-Grain Foil door styles
- Crafted or Quartersawn door styles will be supplied in plain sawn wood
- Groove accepts LED tape lighting
- Foils do **not** have groove
- Offered in 8' lengths

❖	A
❖	C
❖	E
❖	H
❖	TH
	HG
❖	WG
❖	M
❖	O
❖	QS



Traditional Wood Edge

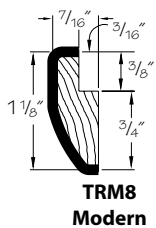
TWE8

- Solid wood
- Painted hardwood supplied for EverCore® and Thermofoil
- Painted or Stained hardwood supplied for Wood-Grain Foil door styles
- Crafted or Quartersawn door styles will be supplied in plain sawn wood
- Offered in 8' lengths

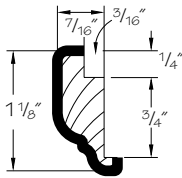
❖	A
❖	C
❖	E
❖	H
❖	TH
	HG
❖	WG
❖	M
❖	O
❖	QS



When using wood edge molding to trim a countertop, be sure to seal the back edge of the molding prior to installing the edge to the top. This will help prevent moisture from entering the molding and damaging it.



TRM8
Modern



TTRM8
Traditional

Transition Molding

Modern

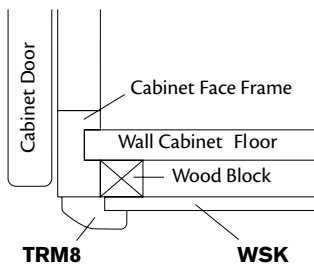
TRM8

Traditional

TTRM8

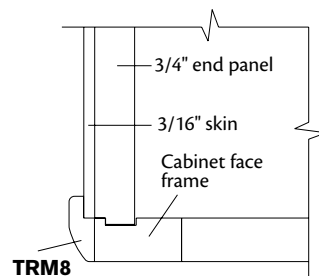
- Solid wood
- Painted hardwood supplied for EverCore® and Thermofoil
- Painted or Stained hardwood supplied for Wood-Grain Foil door styles
- Crafted or Quartersawn door styles will be supplied in plain sawn wood
- Offered in 8' lengths

❖	A
❖	C
❖	E
❖	H
❖	TH
	HG
❖	WG
❖	M
❖	O
❖	QS

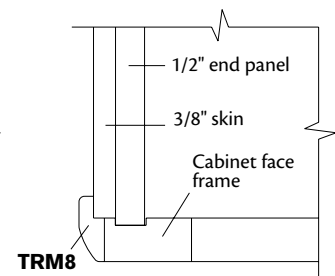


Side view of Wall Cabinet application. Use additional TRM8 or SM8 where cabinet meets wall.

Side View



Allows a 3/16" skin to be applied to a cabinet with 3/4" end panels

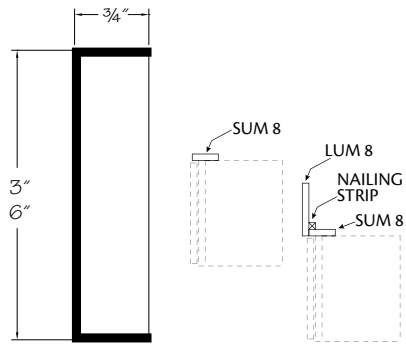


TRM8

Allows a 3/8" skin to be applied to a cabinet with 1/2" end panels

Top View

Universal Molding



Small
SUM8
Large
LUM8

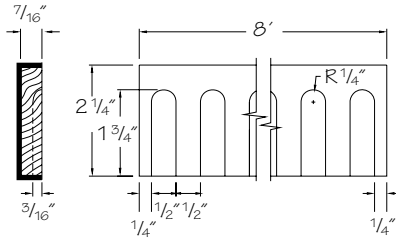
- Available for High-Gloss Foil door styles only
- Manufactured to match the doors and drawer fronts
- Offered in 8' lengths



Installation Note: When installing High-Gloss moldings (LUM or SUM), we recommend attaching from the back as touch-up kits are **not** available for High-Gloss materials

A
C
E
H
TH
❖ HG
WG
M
O
QS

Wide Dentil Molding



WDM8

- Solid wood
- Painted hardwood supplied for EverCore® and Thermofoil
- Painted or Stained hardwood supplied for Wood-Grain Foil door styles
- Crafted or Quartersawn door styles will be supplied in plain sawn wood
- Offered in 8' lengths

A
❖ C
❖ E
❖ H
❖ TH
HG
❖ WG
❖ M
❖ O
❖ QS

Molding Accents

Construction Options and Modifications

A	Alder
C	Cherry
E	EverCore®
H	Hickory
TH	Thermofoil
HG	High-Gloss Foil
WG	Wood-Grain Foil
M	Maple
O	Oak
QS	Quartersawn

CBE	8
code	length

- ❖ Included as standard
- Available with an upcharge
- ☆ Available with exceptions
- (Blank) **Not** available

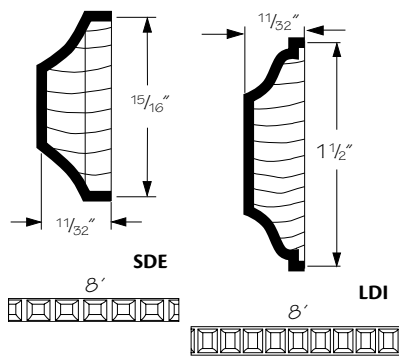
We offer numerous moldings for decorative and finished applications. Moldings are available in some or all wood species. See chart for coding.

Material dimensions listed may vary slightly from actual dimensions of the product.

All molding ordered in quartersawn door styles will be supplied standard oak unless otherwise noted.

Specifications subject to change without notice.

Note: Heavy, dark lines indicate finished surfaces.



Dentil Insert

Small

SDE8

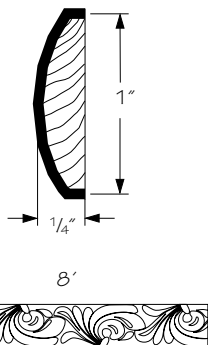
Large

☆ **LDI8**

☆ **Not** available in Rustic Alder door styles

- Solid wood
- Carved
- Painted hardwood supplied for EverCore® and Thermofoil
- Painted or Stained hardwood supplied for Wood-Grain Foil door styles
- Beech supplied for Hickory, Oak and quartersawn Oak
- Apply with small brad

☆	A
❖	C
❖	E
❖	H
❖	TH
	HG
❖	WG
❖	M
❖	O
❖	QS

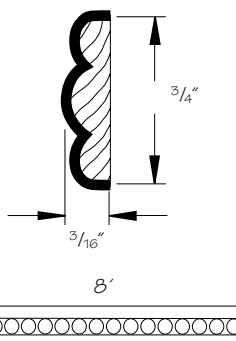


Acanthus Insert

ASI8

- Solid wood
- Embossed design
- Painted hardwood supplied for EverCore® and Thermofoil
- Painted or Stained hardwood supplied for Wood-Grain Foil door styles
- Beech supplied for Hickory, Oak and quartersawn Oak
- Apply with small brad

	A
❖	C
❖	E
❖	H
❖	TH
	HG
❖	WG
❖	M
❖	O
❖	QS

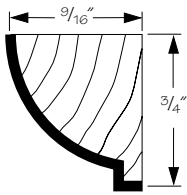


Center Beaded Insert

CBE8

- Solid wood
- Embossed design
- Painted hardwood supplied for EverCore® and Thermofoil
- Painted or Stained hardwood supplied for Wood-Grain Foil door styles
- Beech supplied for Hickory, Oak and quartersawn Oak
- Apply with small brad

	A
❖	C
❖	E
❖	H
❖	TH
	HG
❖	WG
❖	M
❖	O
❖	QS

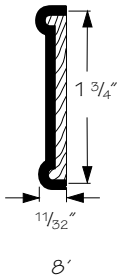
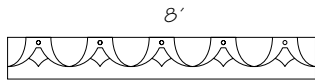


Egg and Dart Edge

EGE8

- Solid wood
- Carved
- Painted hardwood supplied for EverCore® and Thermofoil
- Painted or Stained hardwood supplied for Wood-Grain Foil door styles
- Beech supplied for Hickory, Oak and quartersawn Oak
- Apply with small brad

A
❖ C
❖ E
❖ H
❖ TH
❖ HG
❖ WG
❖ M
❖ O
❖ QS

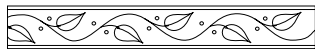


Ivy Insert

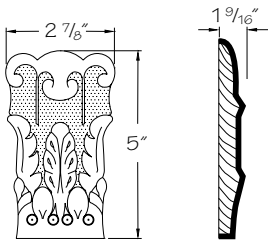
IVI8

- Solid wood
- Embossed design
- Painted hardwood supplied for EverCore® and Thermofoil
- Painted or Stained hardwood supplied for Wood-Grain Foil door styles
- Beech supplied for Hickory, Oak and quartersawn Oak
- Apply with small brad

A
❖ C
❖ E
❖ H
❖ TH
❖ HG
❖ WG
❖ M
❖ O
❖ QS



Tall Acanthus Capital

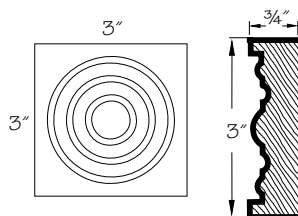


TASC

- Solid wood
- Carved
- Painted hardwood supplied for EverCore® and Thermofoil
- Beech supplied for Hickory, Oak and quartersawn Oak
- Apply with small brad

A
❖ C
❖ E
❖ H
❖ TH
❖ HG
❖ WG
❖ M
❖ O
❖ QS

Rosette

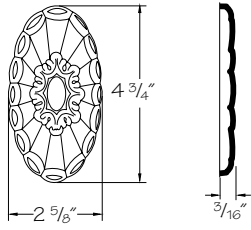


R33

- Solid wood
- Painted hardwood supplied for EverCore® and Thermofoil
- Crafted or Quartersawn door styles will be supplied in plain sawn wood

A
❖ C
❖ E
❖ H
❖ TH
❖ HG
❖ WG
❖ M
❖ O
❖ QS

Oval Rosette



OVR

- Wood veneer
- Embossed design
- Painted hardwood supplied for EverCore® and Thermofoil
- Crafted or Quartersawn door styles will be supplied in plain sawn wood

A
❖ C
❖ E
❖ H
❖ TH
HG
WG
❖ M
❖ O
❖ QS

Acanthus Onlay

ASPO



- Solid wood
- Carved
- Painted hardwood supplied for EverCore® and Thermofoil
- Beech supplied for Hickory, Oak and quartersawn Oak
- Apply with small brad

A
❖ C
❖ E
❖ H
❖ TH
HG
WG
❖ M
❖ O
❖ QS

Timeless Onlay

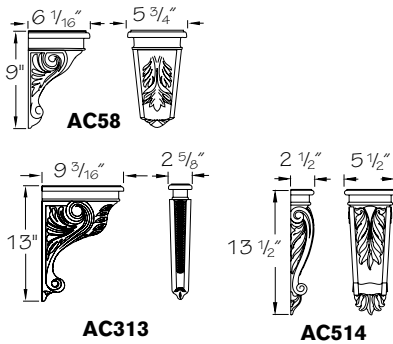
TLPO



- Solid wood
- Carved
- Painted hardwood supplied for EverCore®
- Apply with small brad

A
❖ C
❖ E
H
TH
HG
WG
❖ M
O
QS

Acanthus Corbel

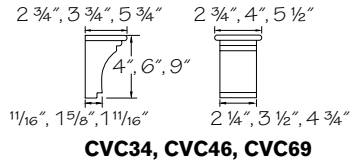


AC58
AC313
AC514

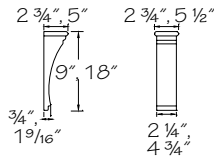
- Solid wood
- Painted hardwood supplied for EverCore® and Thermofoil
- Painted or Stained hardwood supplied for Wood-Grain Foil door styles
- Oak supplied for Hickory
- Crafted or Quartersawn door styles will be supplied in plain sawn wood

A
❖ C
❖ E
❖ H
❖ TH
HG
❖ WG
❖ M
❖ O
❖ QS

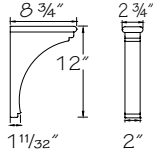
Cove Corbel



CVC34, CVC46, CVC69



CVC29, CVC518



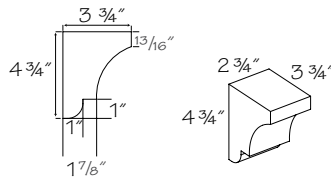
CVC212

CVC34
CVC46
CVC29
CVC69
CVC212
CVC518

- Solid wood
- Painted hardwood supplied for EverCore® and Thermofoil
- Painted or Stained hardwood supplied for Wood-Grain Foil door styles
- Oak supplied for Hickory
- Crafted or Quartersawn door styles will be supplied in plain sawn wood

❖	A
❖	C
❖	E
❖	H
❖	TH
❖	HG
❖	WG
❖	M
❖	O
❖	QS

Empire Corbel

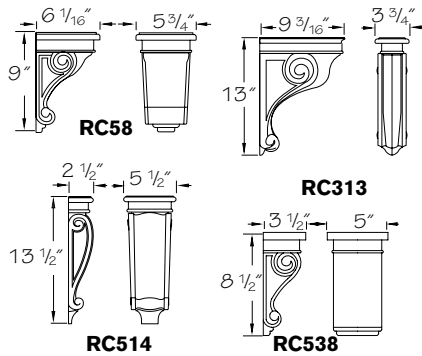


EPC35

- Solid wood
- Painted hardwood supplied for EverCore®
- Painted or Stained hardwood supplied for Wood-Grain Foil door styles
- Crafted or Quartersawn door styles will be supplied in plain sawn wood

❖	A
❖	C
❖	E
❖	H
❖	TH
❖	HG
❖	WG
❖	M
❖	O
❖	QS

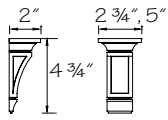
Rosette Corbel



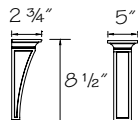
RC58
RC313
RC514
RC538

- Solid wood
- Painted hardwood supplied for EverCore® and Thermofoil
- Oak supplied for Hickory
- Crafted or Quartersawn door styles will be supplied in plain sawn wood

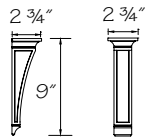
❖	A
❖	C
❖	E
❖	H
❖	TH
❖	HG
❖	WG
❖	M
❖	O
❖	QS



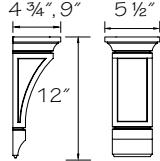
SC25, SC65



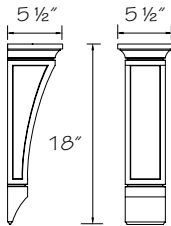
SC58



SC39



SC512, SC612



SC618

Sterling Corbel

SC25
SC58
SC65
SC39
SC512
SC612
SC618

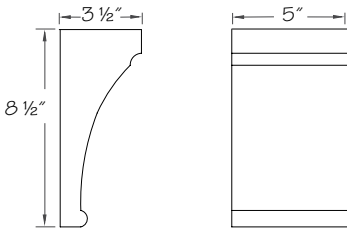
- Solid wood
- Painted hardwood supplied for EverCore® and Thermofoil
- ☆ Crafted or Quartersawn door styles will be supplied in plain sawn wood
- **Note:** The recess panel of these corbels is chiseled and sanded by hand. This process can create some random inconsistent areas within the panel recess



The Sterling Collection design combines automated wood-machining processes with hand detailing. Because of the hand detailing, slight imperfection and/or differences may exist from part to part and are normal. These do **not** affect the structural performance of the product but enhance the aesthetics of each piece.

❖	A
❖	C
❖	E
❖	H
❖	TH
❖	HG
☆	WG
❖	M
❖	O
❖	QS

Transitional Corbel

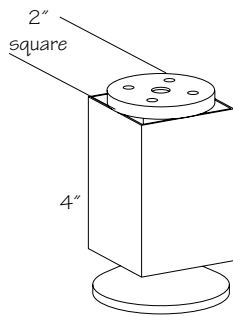


TRC58

- Solid wood
- Painted hardwood supplied for EverCore® and Thermofoil
- Painted or Stained hardwood supplied for Wood-Grain Foil door styles
- Quartersawn door styles are supplied plain sawn
- **Not** available in Crafted or Rustic door styles

❖	A
❖	C
❖	E
❖	H
❖	TH
❖	HG
❖	WG
❖	M
❖	O
❖	QS

Aluminum Square Leg



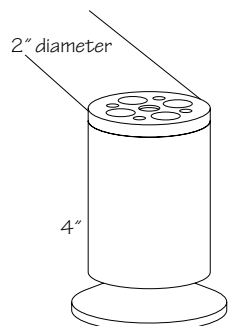
ASL.4

Adjustable from:
4" - 4 3/4"

- Available on all door styles
- Mounting plate included; mounting screws are **not**
- Decorative feet or legs should support the cabinet by way of the end panels, **not** the cabinet floor

❖	A
❖	C
❖	E
❖	H
❖	TH
❖	HG
❖	WG
❖	M
❖	O
❖	QS

Aluminum Round Leg



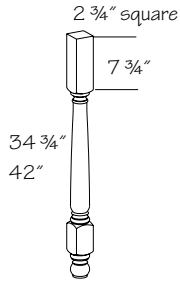
ARL.4

Adjustable from:
4" - 4 3/4"

- Available on all door styles
- Mounting plate included; mounting screws are **not**
- Decorative feet or legs should support the cabinet by way of the end panels, **not** the cabinet floor

❖	A
❖	C
❖	E
❖	H
❖	TH
❖	HG
❖	WG
❖	M
❖	O
❖	QS

Classic Leg

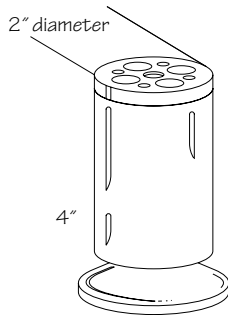


CL334
CL342

- Solid wood
- Painted hardwood supplied for EverCore® and Thermofoil
- Painted or Stained hardwood supplied for Wood-Grain Foil door styles
- Oak supplied for Hickory
- Crafted or Quartersawn door styles will be supplied in plain sawn wood
- Decorative feet or legs should support the cabinet by way of the end panels, **not** the cabinet floor
- Trimmable

❖	A
❖	C
❖	E
❖	H
❖	TH
❖	HG
❖	WG
❖	M
❖	O
❖	QS

Stainless Round Leg

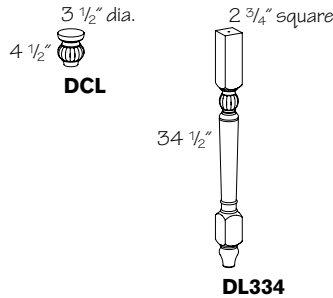


SRL.4 Adjustable from:
4" - 4 3/4"

- Available on all door styles
- Mounting plate included; mounting screws are **not**
- Decorative feet or legs should support the cabinet by way of the end panels, **not** the cabinet floor

❖	A
❖	C
❖	E
❖	H
❖	TH
❖	HG
❖	WG
❖	M
❖	O
❖	QS

Decorative Leg

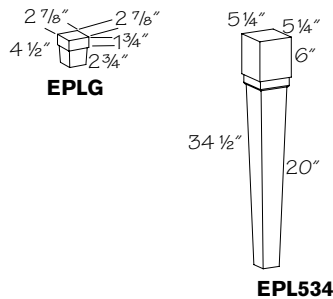


DCL
DL334

- Solid wood
- Painted hardwood supplied for EverCore® and Thermofoil
- ☆ Painted hardwood supplied for Wood-Grain Foil door styles; only available in white
- Decorative feet or legs should support the cabinet by way of the end panels, **not** the cabinet floor
- Trimmable

❖	A
❖	C
❖	E
❖	H
❖	TH
❖	HG
☆	WG
❖	M
❖	O
❖	QS

Empire Leg

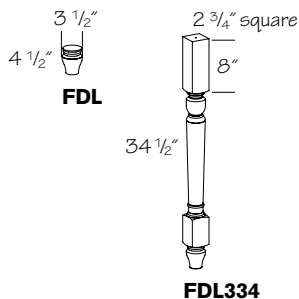


EPLG
EPL534

- Solid wood
- Painted hardwood supplied for EverCore®
- Painted or Stained hardwood supplied for Wood-Grain Foil door styles
- Crafted or Quartersawn door styles will be supplied in plain sawn wood

❖	A
❖	C
❖	E
❖	H
❖	TH
❖	HG
❖	WG
❖	M
❖	O
❖	QS

Federal Leg

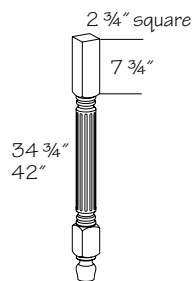


FDL
FDL334

- Solid wood
- Painted hardwood supplied for EverCore® and Thermofoil
- ☆ Painted hardwood supplied for Wood-Grain Foil door styles; only available in white
- Decorative feet or legs should support the cabinet by way of the end panels, **not** the cabinet floor
- Trimmable

❖	A
❖	C
❖	E
❖	H
❖	TH
❖	HG
☆	WG
❖	M
❖	O
❖	QS

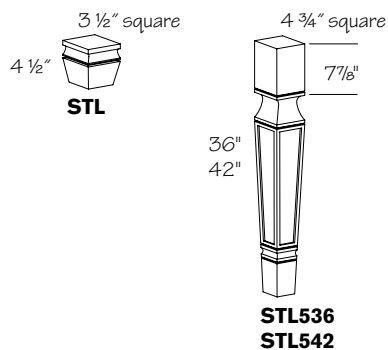
Fluted Leg



FL334
FL342

- Solid wood
- Painted hardwood supplied for EverCore® and Thermofoil
- Painted or Stained hardwood supplied for Wood-Grain Foil door styles
- Oak supplied for Hickory
- Crafted or Quartersawn door styles will be supplied in plain sawn wood
- Decorative feet or legs should support the cabinet by way of the end panels, **not** the cabinet floor
- Trimmable

❖	A
❖	C
❖	E
❖	H
❖	TH
	HG
❖	WG
❖	M
❖	O
❖	QS



Sterling Leg

STL
STL536
STL542

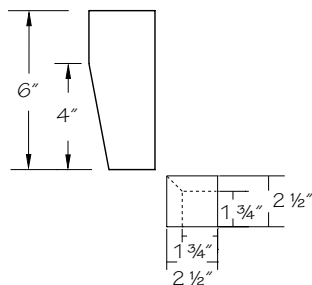


The Sterling Collection design combines automated wood-machining processes with hand detailing. Because of the hand detailing, slight imperfection and/or differences may exist from part to part and are normal. These do **not** affect the structural performance of the product but enhance the aesthetics of each piece.

- Solid wood
- Painted hardwood supplied for EverCore® and Thermofoil
- Painted hardwood supplied for Wood-Grain Foil door styles; only available in white
- Decorative feet or legs should support the cabinet by way of the end panels, **not** the cabinet floor
- Trimmable
- **Note:** The recess panel of this leg/post is chiseled and sanded by hand. This process can create some random inconsistent areas within the panel recess

❖	A
❖	C
❖	E
❖	H
❖	TH
	HG
☆	WG
❖	M
	O
	QS

Tapered Leg

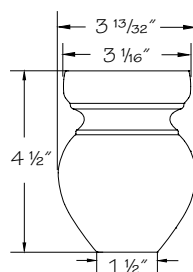


TPL

- Solid wood
- Painted hardwood supplied for EverCore® and Thermofoil
- Painted or Stained hardwood supplied for Wood-Grain Foil door styles
- Oak supplied for Hickory
- Crafted or Quartersawn door styles will be supplied in plain sawn wood
- Decorative feet or legs should support the cabinet by way of the end panels, **not** the cabinet floor
- Trimmable

❖	A
❖	C
❖	E
❖	H
❖	TH
	HG
❖	WG
❖	M
❖	O
❖	QS

Apple Leg

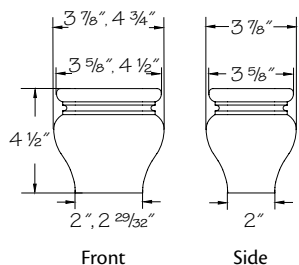


APL

- Solid wood
- Painted hardwood supplied for EverCore® and Thermofoil
- Painted or Stained hardwood supplied for Wood-Grain Foil door styles
- Oak supplied for Hickory
- Decorative feet or legs should support the cabinet by way of the end panels, **not** the cabinet floor
- Crafted or Quartersawn door styles will be supplied in plain sawn wood
- Trimmable

❖	A
❖	C
❖	E
❖	H
❖	TH
	HG
❖	WG
❖	M
❖	O
❖	QS

Cove Leg

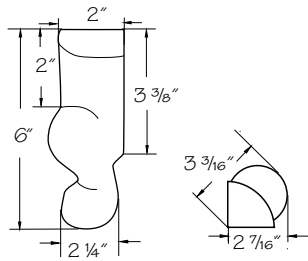


CVL 4 3/4" x 3 7/8"
CVL .2 3 7/8" x 3 7/8" square

- Solid wood
- Painted hardwood supplied for EverCore® and Thermofoil
- Painted or Stained hardwood supplied for Wood-Grain Foil door styles
- Oak supplied for Hickory
- Crafted or Quartersawn door styles will be supplied in plain sawn wood
- Decorative feet or legs should support the cabinet by way of the end panels, **not** the cabinet floor

❖	A
❖	C
❖	E
❖	H
❖	TH
	HG
❖	WG
❖	M
❖	O
❖	QS

French Leg

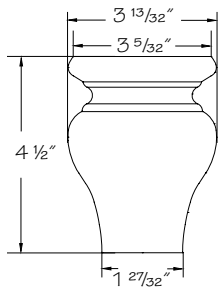


FRL

- Solid wood
- Painted hardwood supplied for EverCore® and Thermofoil
- Painted or Stained hardwood supplied for Wood-Grain Foil door styles
- Maple supplied for Hickory, Oak and quartersawn Oak
- Decorative feet or legs should support the cabinet by way of the end panels, **not** the cabinet floor
- Trimmable

❖	A
❖	C
❖	E
❖	H
❖	TH
❖	HG
❖	WG
❖	M
❖	O
❖	QS

Tulip Leg

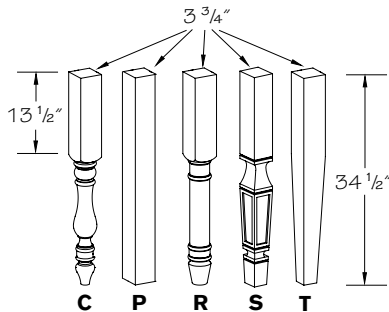


TLL

- Solid wood
- Painted hardwood supplied for EverCore® and Thermofoil
- Painted or Stained hardwood supplied for Wood-Grain Foil door styles
- Oak supplied for Hickory
- Decorative feet or legs should support the cabinet by way of the end panels, **not** the cabinet floor
- Crafted or Quartersawn door styles will be supplied in plain sawn wood
- Trimmable

❖	A
❖	C
❖	E
❖	H
❖	TH
❖	HG
❖	WG
❖	M
❖	O
❖	QS

Decorative Island End Cap Legs



Classic Leg

CIECL434

Plain Square Post

PIECL434

Roman Spindle

RIECL434

Sterling Leg

STIECL434

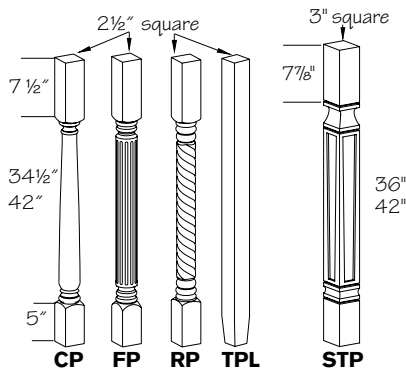
Tapered Leg

TIECL434

- Solid wood
- Painted hardwood supplied for EverCore® and Thermofoil
- Painted hardwood supplied for Wood-Grain Foil door styles; only available in white
- Dimension matches the legs used on Island End Cap cabinets (IEC)
- Decorative feet or legs should support the cabinet by way of the end panels, **not** the cabinet floor
- Trimmable

❖	A
❖	C
❖	E
❖	H
❖	TH
❖	HG
☆	WG
❖	M
❖	O
❖	QS

Decorative Posts



Classic

CP234

CP242

Fluted

■ **FP234**

■ **FP242**

Rope

RP234

RP242

Tapered

TPL34

TPL42

Sterling

※ **STP336**

※ **STP342**

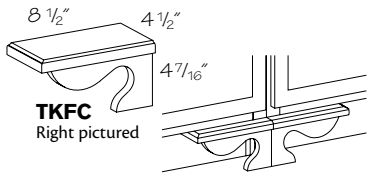
■ Quartersawn door styles are supplied plain sawn

※ Available in Alder, Cherry, Thermofoil and Maple door styles only

- Solid wood
- Painted hardwood supplied for EverCore® and Thermofoil
- Painted or Stained hardwood supplied for Wood-Grain Foil door styles
- Oak supplied for Hickory
- Crafted or Quartersawn door styles will be supplied in plain sawn wood
- Trimmable

❖	A
❖	C
☆	E
☆	H
❖	TH
❖	HG
❖	WG
❖	M
☆	O
☆	QS

Toe Kick Furniture Corner

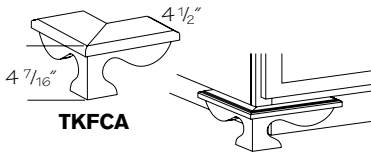


TKFC
Right pictured

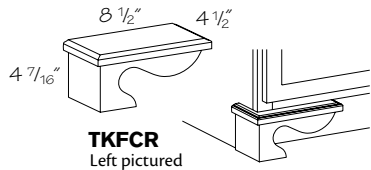
TKFC .R or L
TKFCA
TKFCR .R or L

- Specify R or L
- Solid wood
- Painted hardwood supplied for EverCore® and Thermofoil
- Painted or Stained hardwood supplied for Wood-Grain Foil door styles
- Crafted or Quartersawn door styles will be supplied in plain sawn wood
- When using TKFCA with base cabinets specify recessed toe kick
- Decorative feet or legs should support the cabinet by way of the end panels, **not** the cabinet floor

❖	A
❖	C
❖	E
❖	H
❖	TH
	HG
❖	WG
❖	M
❖	O
❖	QS

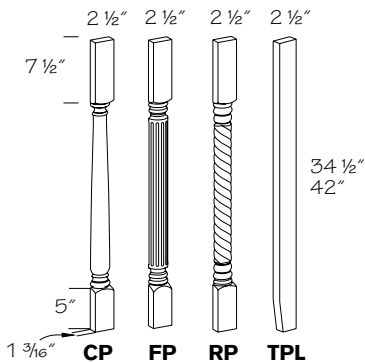


TKFCA



TKFCR
Left pictured

Split Decorative Posts



Classic

CP234 .S

Fluted

■ **FP234 .S**

■ Quartersawn door styles are supplied plain sawn

Rope

RP234 .S

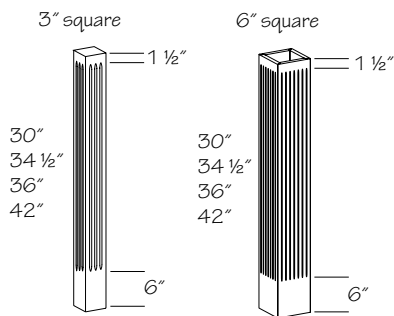
Tapered

TPL34 .S

- Solid wood
- Painted hardwood supplied for EverCore® and Thermofoil
- Painted or Stained hardwood supplied for Wood-Grain Foil door styles
- Oak supplied for Hickory
- Crafted or Quartersawn door styles will be supplied in plain sawn wood
- Trimmable

❖	A
❖	C
❖	E
❖	H
❖	TH
	HG
❖	WG
❖	M
❖	O
❖	QS

Fluted Square Posts



FSP3X3.30

FSP6X6.30

FSP3X3.34

FSP6X6.34

FSP3X3.36

FSP6X6.36

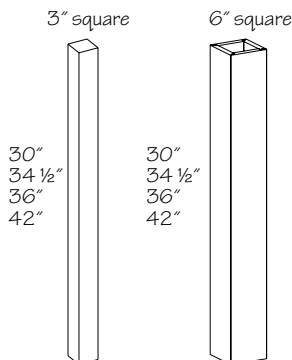
FSP3X3.42

FSP6X6.42

- Solid wood
- Painted hardwood supplied for EverCore® and Thermofoil
- Painted or Stained hardwood supplied for Wood-Grain Foil door styles
- ☆ Quartersawn door styles are supplied plain sawn

❖	A
❖	C
❖	E
❖	H
❖	TH
	HG
❖	WG
❖	M
❖	O
☆	QS

Plain Square Posts



PSP3X3.30

☆ **PSP6X6.30**

PSP3X3.34

☆ **PSP6X6.34**

PSP3X3.36

☆ **PSP6X6.36**

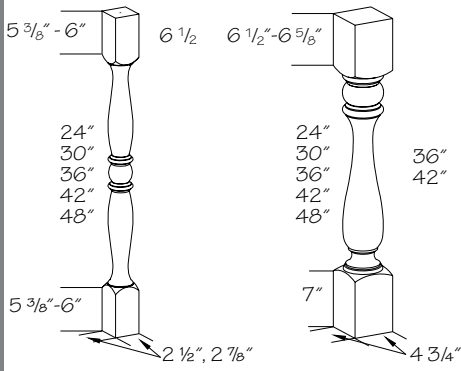
PSP3X3.42

☆ **PSP6X6.42**

☆ **Not available in Wood-Grain Foil door styles**

- Solid wood
- Painted hardwood supplied for EverCore® and Thermofoil
- Painted or Stained hardwood supplied for Wood-Grain Foil door styles
- ☆ Crafted or Quartersawn door styles will be supplied in plain sawn wood

❖	A
❖	C
❖	E
❖	H
❖	TH
	HG
☆	WG
❖	M
❖	O
❖	QS

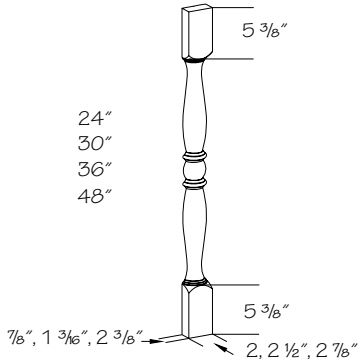


Spindles

SP224	2" x 2" x 24"
SP230	2 1/2" x 2 1/2" x 30"
SP336	2 7/8" x 2 7/8" x 36"
SP536	4 3/4" x 4 3/4" x 36"
SP342	2 7/8" x 2 7/8" x 42"
SP542	4 3/4" x 4 3/4" x 42"
SP348	2 7/8" x 2 7/8" x 48"

- Solid wood
- Painted hardwood supplied for EverCore® and Thermofoil
- Painted or Stained hardwood supplied for Wood-Grain Foil door styles
- Oak supplied for Hickory
- Crafted or Quartersawn door styles will be supplied in plain sawn wood
- Trimmable 4" each end; SP224 trimmable 5"

❖	A
❖	C
❖	E
❖	H
❖	TH
❖	HG
❖	WG
❖	M
❖	O
❖	QS

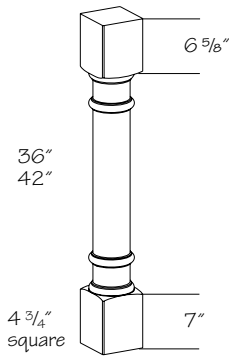


Split Spindles

SP224 .S	2" x 7/8" x 24"
SP230 .S	2 1/2" x 1 3/16" x 30"
SP336 .S	2 7/8" x 2 3/8" x 36"
SP348 .S	2 7/8" x 2 3/8" x 48"

- Solid wood
- Painted hardwood supplied for EverCore® and Thermofoil
- Painted or Stained hardwood supplied for Wood-Grain Foil door styles
- Oak supplied for Hickory
- Crafted or Quartersawn door styles will be supplied in plain sawn wood
- Trimmable 4" each end; SP224.S trimmable 5"

❖	A
❖	C
❖	E
❖	H
❖	TH
❖	HG
❖	WG
❖	M
❖	O
❖	QS



Roman Spindles

RSP536
RSP542

- Solid wood
- Painted hardwood supplied for EverCore® and Thermofoil
- Painted or Stained hardwood supplied for Wood-Grain Foil door styles
- Oak supplied for Hickory
- Crafted or Quartersawn door styles will be supplied in plain sawn wood

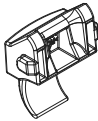
❖	A
❖	C
❖	E
❖	H
❖	TH
❖	HG
❖	WG
❖	M
❖	O
❖	QS

Notes

PBDR	12
code	depth

Specifications subject to change without notice.

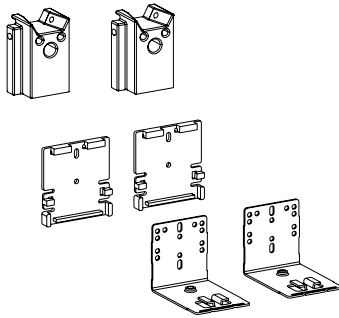
Whisper Touch™ Angle Restrictor Clip



WTHARC

- Limits hinge opening angle to 86 degrees (+/- 2 degrees)
- **Cannot** be used in cabinets with installed accessories
- Used for:
 - PH1516•SC — Whisper Touch™ Hinges - Full Overlay
 - PH12C•SC — Whisper Touch™ Hinges - Half Overlay
 - PHFM•SC — Whisper Touch™ Hinges - Face Mount
- Packaged and sold four per box
- **Note:** One clip per door is sufficient; however, one clip per hinge results in less deflection

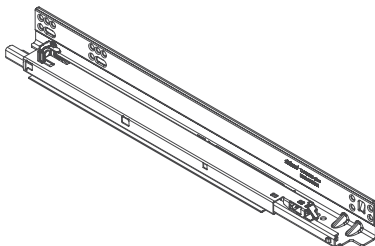
Whisper Touch™ Deluxe Dovetailed Roll-Out Tray Mounting Block Kit



BWTDXROTK

- Includes mounting blocks, drawer glide mounting sleeves and fasteners
- Used for:
 - Whisper Touch™ Deluxe Dovetailed Roll-out Tray runners
- Packaged and sold as a pair

Whisper Touch™ Drawer Runners

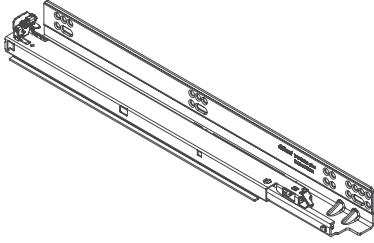


PBWTDR12 PBWTDR15 PBWTDR18 PBWTDR21 PBWTDR24

- 90 lbs. capacity
- Fully concealed
- Full extension runner, pulls out past the face frame
- Ball bearing operation
- Integrated mechanism closes drawers softly and quietly
- Packaged and sold as a pair
- **Must** order drawer clips separately

Whisper Touch™ Drawer Runners—Two Drawer Cabinets

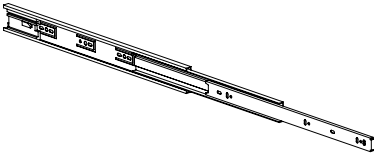
PBWTDR21 .2
PBWTDR24 .2



- 90 lbs. capacity
- Fully concealed
- Full extension runner, pulls out past the face frame
- Ball bearing operation
- Integrated mechanism closes drawers softly and quietly
- Used for:
 - BPPS_•2—Base Pot and Pan Organizer Two Drawer
 - BDDC—Base Deep Drawer Combination
- Packaged and sold as a pair
- **Must** order drawer clips separately

Replacement Runners for Toe Kick Drawer

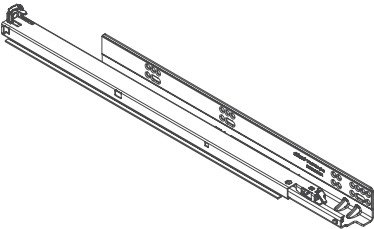
18" Deep
PDRTKD18
21" Deep
PDRTKD21
24" Deep
PDRTKD24



- 100 lb. capacity
- Used for Toe Kick Drawer (TKD)
- Packaged and sold as a pair

Whisper Touch™ Base Pantry Pull-Out Runners

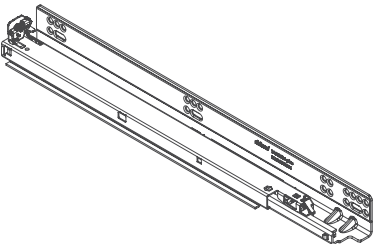
PBWTBPPDR24



- 90 lbs. capacity
- Fully concealed
- Full extension runner, pulls out past the face frame
- Ball bearing operation
- Integrated mechanism closes drawers softly and quietly
- Used for:
 - BPP—Base Pantry Pull-out
 - BLB—Base Liter Bottle
- Packaged and sold as a pair
- **Must** order drawer clips separately

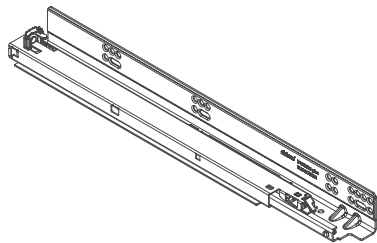
Whisper Touch™ Vanity Base Pull-Out Runners

PBWTBPPDR21



- 90 lbs. capacity
- Fully concealed
- Full extension runner, pulls out past the face frame
- Ball bearing operation
- Integrated mechanism closes drawers softly and quietly
- Used for:
 - VBP – Vanity Base Pull-Out
- Packaged and sold as a pair
- **Must** order drawer clips separately

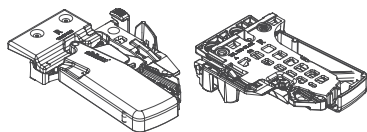
Whisper Touch™ Deluxe Dovetailed Roll-Out Tray Drawer Runners



PBWTDXR18
PBWTDXR21
PBWTDXR24

- 90 lbs. capacity
- Fully concealed
- Full extension runner, pulls out past the face frame
- Ball bearing operation
- Integrated mechanism closes drawers softly and quietly
- Packaged and sold as a pair
- **Must** order drawer clips separately

Whisper Touch™ Drawer Clips

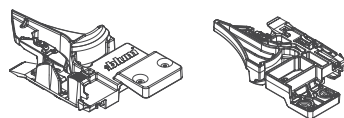


BOX .BWTDC Box of ten; five left and five right

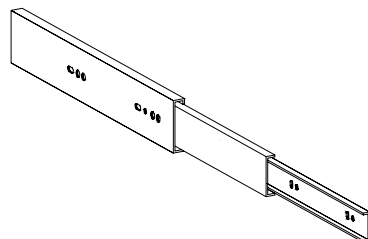
PBWTDC Packaged and sold as a pair

PBWTDC .S Packaged and sold as a pair

- PBWTDC .S is used for:
 BLB — Base Liter Bottle
 BPP — Base Pantry Pull-out
 VBP — Vanity Base Pull-out |
 VSB36.2D — Vanity Sink Base



Full Extension Drawer Runner



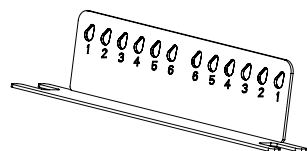
* **PFDR12**
PFDR15
PFDR18
PFDR21
PFDR24

- 75 lbs. capacity
- Full extension runner, pulls out past the face frame
- Packaged and sold as a pair
- Used for:
 DDFD—Desk Double File Drawer
 WMSP—Wall Multi-Storage Pantry

* Used for:

Deluxe Roll-out Tray Extension Tail

PBDRET

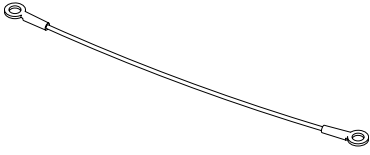


- Required when installing Deluxe Dovetailed Roll-out Trays (DXROT) and Chrome Deluxe Roll-out Trays (SDXROT) in cabinets with modified depth. **Not** Necessary for 24", 21" and 18" deep cabinets

Door Stop Kit

DSTK

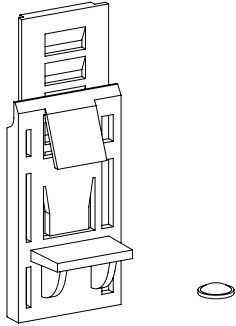
- Nylon coated stainless wire rope
- Stainless eyes with aluminum collar
- Mounting hardware included



Adjustable Shelf Clips

BOX .ASC

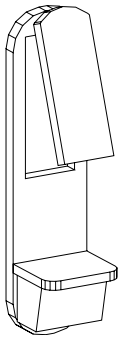
- Adjustable clear plastic clip locks in eight positions for approximately 1 5/8" of vertical adjustment
- Includes slip resistant pads
- Wood shelves may need to be trimmed to accommodate the thickness of this clip
- Ten per box



Shelf Clips

BOX .SC12 For 1/2" thick shelves
BOX .SC34 For 3/4" thick shelves

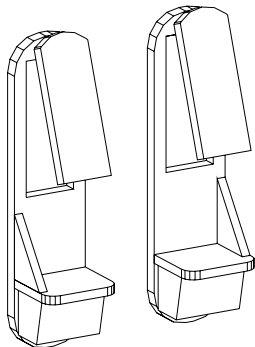
- Clear plastic locking clip
- Ten per box



Front Shelf Clips

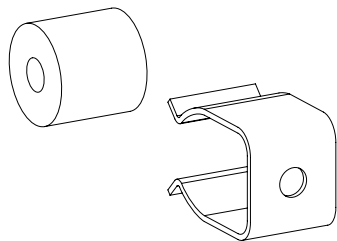
BOX .SCF

- Clear plastic locking clip
- Plastic front edge restraint
- Ten per box (Five left and five right)



False Front Clips

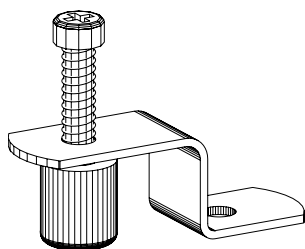
BOX .SFFC



- Mounting hardware included
- Ten per box

Door Insert Clips

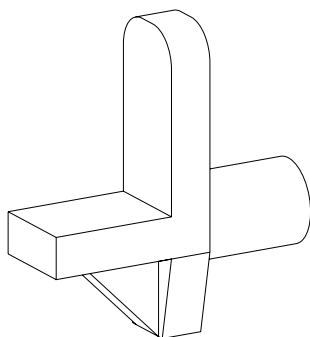
BOX .IC



- Burnished brass finish
- Mounting screws included
- Eight per box

Furniture Shelf Rests

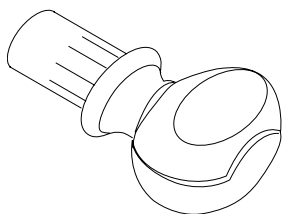
BOX .FSR



- Satin chrome
- For use in any cabinet
- Ten per box

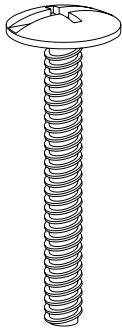
Glass Shelf Rests

BOX .GSR



- Polished chrome finish with slip resistant pad
- Twelve per box

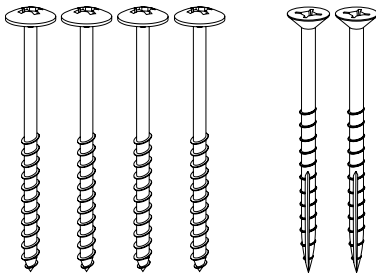
Hardware Screws



BOX .HS

- Specify door or drawer and hardware type
- Order Example: BOX•HSDOOR for 205 hardware
- Ten per box

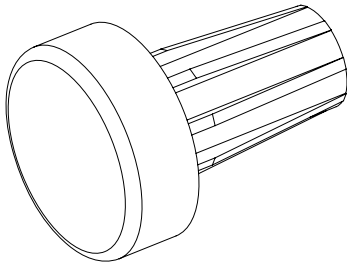
Installation Screws



BOX .IS

- Each pack includes 4 mounting screws and 2 cabinet-to-cabinet screws
- Mounting screws are 2 3/4" long
- Cabinet-to-cabinet screws are 2 1/2" long
- Ten packs per box

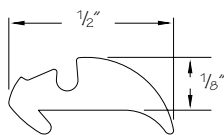
Door Bumpers



BOX .PSDB

- Opaque "Eversoft" rubber door bumpers
- Ten per box

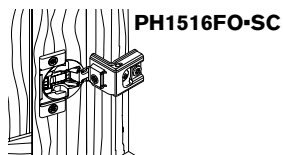
Glass Insert Retainer Strip



MDRS

- Holds decorative glass in a door frame
- Used with the following decorative glass inserts: Bistro (BIS), Ravenna (RAV), and Shadow (SHW)
- Specify length needed, in feet

Whisper Touch™ Hinges–Full Overlay



(EMPTY)

PH1516FO .SC

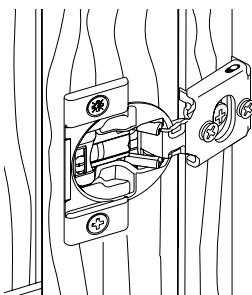
▲ **PH34FO .SC**

▲ for B6 R or L.FO

- Six-way adjustable hinge
- Nickel plated finish
- Integrated mechanism closes doors softly and quietly
- On/off switch adjusts closing speed for light and heavy doors
- Packaged and sold as a pair

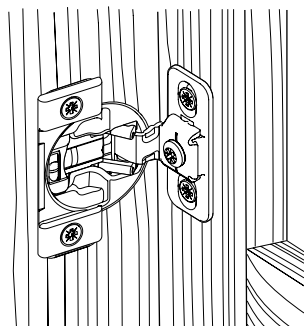


Whisper Touch™ Hinges– 1/2" Overlay



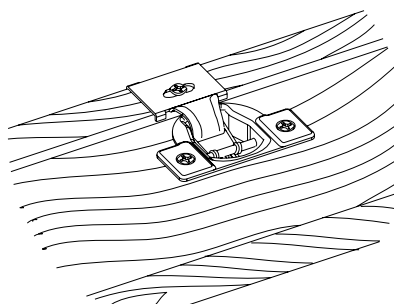
- Six-way adjustable hinge
- Nickel plated finish
- Integrated mechanism closes doors softly and quietly
- On/off switch adjusts closing speed for light and heavy doors
- Packaged and sold as a pair

Whisper Touch™ Hinges–Face Mount



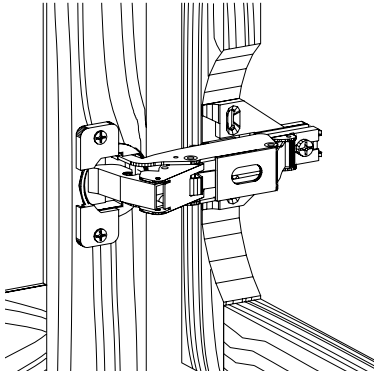
- Four-way adjustable hinge
- Nickel plated finish
- Integrated mechanism closes doors softly and quietly
- On/off switch adjusts closing speed for light and heavy doors
- Used for Oven Cabinets (OC) with 3" frame stiles in the door section
- Packaged and sold as a pair

Hinges–Partial Overlay Concealed



- Nickel plated finish
- Packaged and sold as a pair

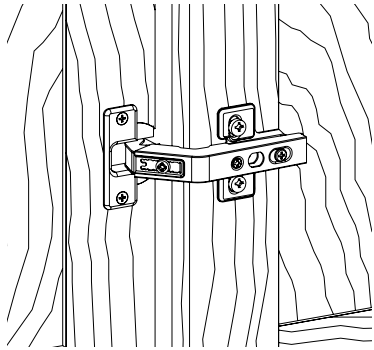
Hinges—Partial Or Full Overlay Easy Reach



PH170EZ

- Nickel plated finish
- Packaged and sold as a pair
- Used for all Easy Reach (EZR) cabinets

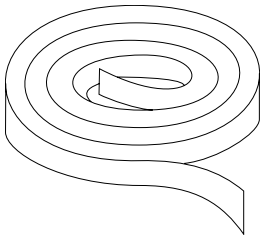
Hinges—Bifold



PHBF

- Nickel plated finish
- Packaged and sold as a pair

Vinyl Edgebanding



EDB

- 7/8" wide
- Edgebanding color will match the cabinet box color of the selected door style and finish
- Sold by the foot (quantity ordered will equal the number of feet needed)
- **Not** self-adhesive; installation will require contact cement

QST	WG
code	finish

Specifications subject to change without notice.

Cabinet Care Kit



CCK

- Kit includes: 8 oz. Polish and Cleaner; 12" x 12" Dusting Cloth and Polish/Cleaner Cloth



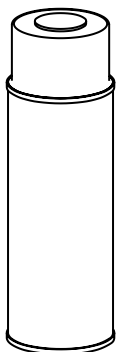
For complete care of your cabinets, we recommend ordering the Touch-Up in the cabinet color(s). If your design uses Whisper Touch™ Hinges, you may also want to order the Whisper Touch™ Angle Restrictor Clip (WTHARC)

Polish



KMP

- 16 oz. bottle
- Industrial grade polish for wood, brass and vinyl



- Matches base color only
- 13 oz. can
- **Cannot** be used to touch up High-Gloss Foil door styles; matte sheen will match box and accessories that are **not** High-Gloss

Aerosol Can

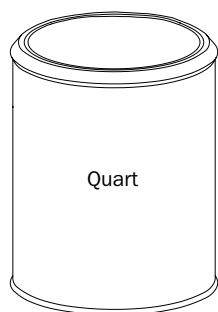
Clear Finishes

ACNA	Natural
ACSDE	Suede (Matte)

Color Finishes

▲ ACAB	Autumn Blush, Autumn Blush Suede
▲ ACD78	Baltic, Baltic Suede
▲ ACE69	Bonsai, Bonsai Suede
▲ ACE67	Burmese, Burmese Suede
▲ ACD81	Cannon Grey, Cannon Grey Suede
▲ ACCV	Canvas, Canvas Suede, Canvas w/Cinder Highlight, Canvas w/Cocoa Highlight, Vintage Canvas
▲ ACCN	Chestnut, Chestnut Suede
▲ ACCZ	Chocolate, Chocolate Suede
▲ ACEG	Chocolate w/Ebony Glaze
▲ ACCO	Cognac, Cognac Suede
▲ ACWH	Dove White, Dove White Suede, Dove White w/Cinder Highlight, Dove White w/Cocoa Highlight, Vintage Dove White, White
▲ ACFN	Fawn, Fawn Suede
▲ ACGN	Ginger, Ginger Suede, Ginger w/Sable Glaze
▲ ACGY	Greyloft, Greyloft Suede, Greyloft w/Sable Highlight, Vintage Greyloft
▲ ACHS	Honey Spice, Honey Spice Suede
▲ ACHK	Husk, Husk Suede
▲ ACKA	Kaffé, Kaffé Suede
▲ ACE63	Lagoon, Lagoon Suede
▲ ACD90	Linen, Linen Suede, Linen w/Cinder Highlight, Linen w/Cocoa Highlight, Vintage Linen
▲ ACMD	Midnight, Midnight Suede, Midnight w/Onyx Highlight, Vintage Midnight
▲ ACE58	Molasses, Molasses Suede
▲ ACD98	Moonshine, Moonshine Suede, Moonshine w/Cinder Highlight, Moonshine w/Cocoa Highlight, Vintage Moonshine
▲ ACON	Onyx, Onyx Suede, Vintage Onyx
▲ ACPBG	Pebble Grey, Pebble Grey Suede, Pebble Grey w/Cocoa Highlight, Vintage Pebble Grey
▲ ACPC	Peppercorn, Peppercorn Suede
▲ ACPR	Praline, Praline Suede
▲ ACSAD	Saddle, Saddle Suede
▲ ACSL	Slate, Slate Suede
▲ ACSU	Sunset
▲ ACE65	Surfside, Surfside Suede

▲ **Must** use Suede aerosol with Suede finishes



- Includes one qt. of paint
- **Cannot** be used to touch up High-Gloss Foil door styles; matte sheen will match box and accessories that are **not** High-Gloss

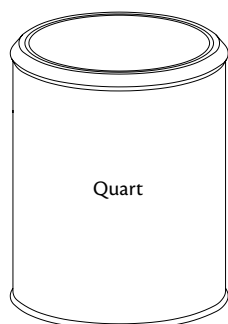
Paint

▲ QPE06	Aged Concrete
▲ QPE05	Aged Papyrus
▲ QPE07	Aged River Rock
▲ QPE69	Bonsai, Bonsai Suede
▲ QPE67	Burmese, Burmese Suede
▲ QPCV	Canvas, Canvas Suede, Vintage Canvas
▲ QPWH	Dove White, Dove White Suede, Vintage Dove White, White
▲ QPGY	Greyloft, Greyloft Suede
▲ QPE63	Lagoon, Lagoon Suede
▲ QPD90	Linen, Linen Suede, Vintage Linen
▲ QPMD	Midnight, Midnight Suede
▲ QPD98	Moonshine, Moonshine Suede, Vintage Moonshine
▲ QPON	Onyx, Onyx Suede, Vintage Onyx
▲ QPPBG	Pebble Grey, Pebble Grey Suede, Vintage Pebble Grey
▲ QPE65	Surfside, Surfside Suede

Includes paint, accent and topcoat

QPE87	Canvas w/Cinder Highlight
QPE89	Canvas w/Cocoa Highlight
QPE93	Dove White w/Cinder Highlight
QPE95	Dove White w/Cocoa Highlight
QPE97	Greyloft w/Sable Highlight
QPE99	Linen w/Cinder Highlight
QPF01	Linen w/Cocoa Highlight
QPF03	Midnight w/Onyx Highlight
QPF05	Moonshine w/Cinder Highlight
QPF07	Moonshine w/Cocoa Highlight
QPF09	Pebble Grey w/Cocoa Highlight

- ▲ **Must** use Suede aerosol or Suede topcoat with Suede finishes



- Sold in complete kits only; individual components *not* available
- Includes application instructions

Stain Kit

Topcoat

- QSTNA** Natural top coat
QSTSDE Suede (Matte) topcoat

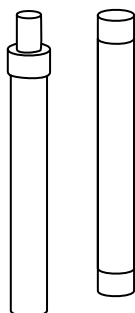
Includes stain

- ▲ **QSTAB** Autumn Blush, Autumn Blush Suede
- ▲ **QSTD78** Baltic, Baltic Suede
- ▲ **QSTD81** Cannon Grey, Cannon Grey Suede
- ▲ **QSTCN** Chestnut, Chestnut Suede
- ▲ **QSTCC** Chocolate, Chocolate Suede
- ▲ **QSTCO** Cognac, Cognac Suede
- ▲ **QSTFN** Fawn, Fawn Suede
- ▲ **QSTC19** Ginger, Ginger Suede
- ▲ **QSTHS** Honey Spice, Honey Spice Suede
- ▲ **QSTHK** Husk, Husk Suede
- ▲ **QSTKA** Kaffé, Kaffé Suede
- ▲ **QSTE58** Molasses, Molasses Suede
- ▲ **QSTPC** Peppercorn, Peppercorn Suede
- ▲ **QSTPR** Praline, Praline Suede
- ▲ **QSTSAD** Saddle, Saddle Suede
- ▲ **QSTSL** Slate, Slate Suede
- ▲ **QSTSU** Sunset, Sunset Suede

Includes stain, accent color and topcoat

- QSTABOG** Autumn Blush w/Onyx Stain
QSTEG Chocolate w/Ebony Glaze
QSTGN Ginger w/Sable Glaze

- ▲ **Must use** Suede aerosol or Suede topcoat with Suede finishes



- Kit includes: Fill Stick (FS) and Touch-Up Pen (TP)
- **Cannot** be used to touch up High-Gloss Foil door styles; matte sheen will match box and accessories that are **not** High-Gloss

Premium Touch-Up Kit

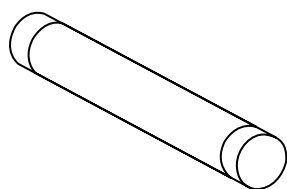
TUKP.E06	Aged Concrete
TUKP.E05	Aged Papyrus
TUKP.E07	Aged River Rock
TUKP.AB	Autumn Blush, Autumn Blush Suede, Autumn Blush w/Onyx Glaze
TUKP.D78	Baltic, Baltic Suede
TUKP.E69	Bonsai, Bonsai Suede
TUKP.E67	Burmese, Burmese Suede
TUKP.D81	Cannon Grey, Cannon Grey Suede
TUKP.CV	Canvas, Canvas Suede, Canvas w/Cinder Highlight, Vintage Canvas
TUKP.VG	Canvas w/Cocoa Highlight
TUKP.CN	Chestnut, Chestnut Suede
TUKP.CZ	Chocolate, Chocolate Suede
TUKP.F87	Chocolate w/Ebony Glaze
TUKP.CO	Cognac, Cognac Suede
TUKP.WH	Dove White, Dove White Suede, Dove White w/Cinder Highlight, Dove White w/Cocoa Highlight, White
TUKP.FN	Fawn, Fawn Suede
TUKP.GN	Ginger, Ginger Suede, Ginger w/Sable Glaze
TUKP.GY	Greyloft, Greyloft Suede, Greyloft w/Sable Highlight, Vintage Greyloft
TUKP.HS	Honey Spice, Honey Spice Suede
TUKP.HK	Husk, Husk Suede
TUKP.KA	Kaffé, Kaffé Suede
TUKP.E63	Lagoon
TUKP.D90	Linen, Linen Suede, Linen w/Cinder Highlight, Linen w/Cocoa Highlight, Vintage Linen
TUKP.MD	Midnight, Midnight Suede, Midnight w/Onyx Highlight, Vintage Midnight
TUKP.E58	Molasses, Molasses Suede
TUKP.D98	Moonshine, Moonshine Suede, Moonshine w/Cinder Highlight, Moonshine w/Cocoa Highlight, Vintage Moonshine
TUKP.NA	Natural
TUKP.ON	Onyx, Onyx Suede, Vintage Onyx
TUKP.PBG	Pebble Grey, Pebble Grey Suede, Pebble Grey w/Cocoa Highlight, Vintage Pebble Grey
TUKP.PC	Peppercorn, Peppercorn Suede
TUKP.PR	Praline, Praline Suede
TUKP.SAD	Saddle, Saddle Suede
TUKP.SL	Slate, Slate Suede
TUKP.SU	Sunset, Sunset Suede
TUKP.E65	Surfside, Surfside Suede



- **Cannot** be used to touch up High-Gloss Foil door styles; matte sheen will match box and accessories that are **not** High-Gloss

Touch-Up Pen

TPE06	Aged Concrete
TPE05	Aged Papyrus
TPE07	Aged River Rock
TPAB	Autumn Blush, Autumn Blush Suede, Autumn Blush w/Onyx Glaze
TPD78	Baltic, Baltic Suede
TPE69	Bonsai, Bonsai Suede
TPE67	Burmese, Burmese Suede
TPD81	Cannon Grey, Cannon Grey Suede
TPCV	Canvas, Canvas Suede, Canvas w/Cinder Highlight, Canvas w/Cocoa Highlight, Vintage Canvas
TPCN	Chestnut, Chestnut Suede
TPCZ	Chocolate, Chocolate Suede
TPEG	Chocolate w/Ebony Glaze
TPCO	Cognac, Cognac Suede
TPWH	Dove White, Dove White Suede, Dove White w/Cinder Highlight, Dove White w/Cocoa Highlight, Vintage Dove White, White
TPFN	Fawn, Fawn Suede
TPGN	Ginger, Ginger Suede, Ginger w/Sable Glaze
TPGY	Greyloft, Greyloft Suede, Greyloft w/Sable Highlight, Vintage Greyloft
TPHS	Honey Spice, Honey Spice Suede
TPHK	Husk, Husk Suede
TPKA	Kaffé, Kaffé Suede
TPE63	Lagoon, Lagoon Suede
TPD90	Linen, Linen Suede, Linen w/Cinder Highlight, Linen w/Cocoa Highlight, Vintage Linen
TPMD	Midnight, Midnight Suede, Midnight w/Onyx Highlight, Vintage Midnight
TPE58	Molasses
TPD98	Moonshine, Moonshine Suede, Moonshine w/Cinder Highlight, Moonshine w/Cocoa Highlight
TPNA	Natural
TPON	Onyx, Onyx Suede, Vintage Onyx
TPPBG	Pebble Grey, Pebble Grey Suede, Pebble Grey w/Cocoa Highlight, Vintage Pebble Grey
TPPC	Peppercorn, Peppercorn Suede
TPPR	Praline, Praline Suede
TPSAD	Saddle, Saddle Suede
TPSL	Slate, Slate Suede
TPSU	Sunset, Sunset Suede
TPE65	Surfside, Surfside Suede



- **Cannot** be used to touch up High-Gloss Foil door styles; matte sheen will match box and accessories that are **not** High-Gloss

Fill Stick

FSE06	Aged Concrete
FSE05	Aged Papyrus
FSE07	Aged River Rock
FSAB	Autumn Blush, Autumn Blush Suede, , Autumn Blush w/Onyx Glaze
FSD78	Baltic, Baltic Suede
FSE69	Bonsai, Bonsai Suede
FSE67	Burmese, Burmese Suede
FSD81	Cannon Grey, Cannon Grey Suede
FSCV	Canvas, Canvas Suede, Canvas w/Cinder Highlight, Canvas w/Cocoa Highlight, Vintage Canvas
FSCN	Chestnut, Chestnut Suede
FSEG	Chocolate w/Ebony Glaze
FSCZ	Chocolate, Chocolate Suede
FSCC	Clear stick for ColorMatch & ColorMatch Suede
FSCO	Cognac, Cognac Suede
FSWH	Dove White, Dove White Suede, Dove White w/Cinder Highlight, Dove White w/Cocoa Highlight, Vintage Dove White, White
FSFN	Fawn, Fawn Suede
FSGN	Ginger, Ginger Suede, Ginger w/Sable Glaze
FSGY	Greyloft, Greyloft Suede, Greyloft w/Sable Highlight, Vintage Greyloft
FSHS	Honey Spice, Honey Spice Suede
FSHK	Husk, Husk Suede
FSINT	Interior
FSKA	Kaffé, Kaffé Suede
FSE63	Lagoon, Lagoon Suede
FSD90	Linen, Linen Suede, Linen w/Cinder Highlight, Linen w/Cocoa Highlight, Vintage Linen
FSMD	Midnight, Midnight Suede, Midnight w/Onyx Highlight, Vintage Midnight
FSE58	Molasses, Molasses Suede
FSD98	Moonshine, Moonshine Suede, Moonshine w/Cinder Highlight, Moonshine w/Cocoa Highlight, Vintage Moonshine
FSNA	Natural
FSON	Onyx, Onyx Suede, Vintage Onyx
FSPBG	Pebble Grey, Pebble Grey Suede, Pebble Grey w/Cocoa Highlight, Vintage Pebble Grey
FSPC	Peppercorn, Peppercorn Suede
FSPR	Praline, Praline Suede
FSSAD	Saddle, Saddle Suede
FSSL	Slate, Slate Suede
FSSU	Sunset, Sunset Suede
FSE65	Surfside, Surfside Suede

How to Use This Section

This guide allows you to choose from a complete line of doors and drawer fronts for replacement as well as special applications such as appliance fronts, whirlpool skirts, wainscoting, etc.

This part lists all replacement doors and drawer fronts by their nomenclature. They are sorted by their nominal height (last two numbers of the nomenclature) from largest to smallest.

To choose doors and drawer fronts for special decorative applications, use the Sizes section and look in the appropriate overlay column to determine which doors and drawer fronts are needed. Then look up the door(s) and drawer front(s) in the Price List catalog under the price column number appropriate to your door style.

To find replacement drawer boxes and replacement operational end doors in 2020 go to: Accessories>Replacement Parts>Replacement Part. Right click and select Specs to view.

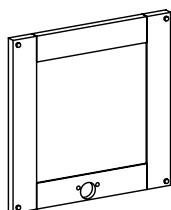
Replacement Door & Drawer Front Information

Replacement doors may be ordered for wall or base application. When ordering, specify door style, hinging and •W (wall) or •B (base). Any arch doors ordered as •B will be shipped in a square design.

Example: You need a replacement door for a wall 1830, hinged left.

Order: RD1830L•W

Replacement doors are prepared for hinges. Replacement door and drawer fronts are automatically drilled for PermaSet bumpers. If a door is specified for no hinge (NH), the door is drilled in all four corners for bumpers (bumpers are included) and will also receive a single cup hinge bore for internal tracking purposes.



Replacement doors with glass inserts or mullion inserts installed are available on doors 12" or wider up to 42" high. To order, determine the replacement door(s) required and add desired glass insert or mullion insert.

Example: You need a Bistro glass insert for a wall 1830, hinged left.

Order: RD1830L•W-1BIS1

Pricing: RD1830L•W

+ 1 Bistro Insert for 12" - 30" high

**= Total for replacement door
with insert installed**

Example: You need a Mullion insert for a wall 1836, hinged left.

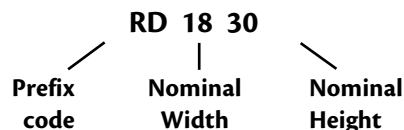
Order: RD1836L•W-1MD2

Pricing: RD1836L•W

+ 1 Mullion Insert for 36" - 42" high

**= Total for mullion door
with insert installed**

Replacement doors and drawer fronts are coded for easy reference. The prefix codes indicate door or drawer and usage. The first two digits indicate nominal width and the second two digits indicate nominal height.



Prefix codes are as follows:

RD	replacement door
RDA	replacement door angle
RDAAG	replacement door angle appliance garage
RDADP	replacement door angle double panel
RDAG	replacement door appliance garage
RDB	replacement door butt
RDBDP	replacement door butt double panel
RDBI	replacement door base inside angle
RDBO	replacement door base outside angle
RDDEZR*	replacement door desk easy reach (two doors hinged together)
RDDP	replacement door double panel
RDE	replacement door operational end
RDEZR*	replacement door easy reach (two doors hinged together)
RDLS	replacement door lazy susan (two doors mitered together)
RDM	replacement door multi-storage pantry (door storage unit attached)
RDMC	replacement door mirror cabinet
RDW	replacement drawer front
RDWA	replacement drawer front angle
RDWBCD	replacement drawer front base corner drawer
RDWEZR*	replacement door wall easy reach (two doors hinged)
RDWFD	replacement door wall furniture drawer
RDWI	replacement door wall inside angle
RDWLBF	replacement door wall lateral bifold cabinet
RDWO	replacement door wall outside angle
RDWTHG	replacement door wall top hinge
RDWWHV	replacement drawer front wall hung vanity
RDWZ*	replacement door wall easy reach (individual doors)
RDZ*	replacement door easy reach (individual doors)

PART	1/2" Overlay	Full Overlay
RDB3367•B	15 7/16 x 26 1/2	16 1/4 x 25 7/8
RDB2467•B	10 15/16 x 26 1/2	11 3/4 x 25 7/8
RD3667•B	16 15/16 x 26 1/2	17 3/4 x 25 7/8
RD3367•B	14 1/2 x 26 1/2	N/A
RD3067•B	13 15/16 x 26 1/2	14 3/4 x 25 7/8
RD2767•B	12 7/16 x 26 1/2	13 1/4 x 25 7/8
RD2467•B	22 x 26 1/2	23 5/8 x 25 7/8
RD2167•B	19 x 26 1/2	20 5/8 x 25 7/8
RD1867•B	16 x 26 1/2	17 5/8 x 25 7/8
RD1567•B	13 x 26 1/2	14 5/8 x 25 7/8
RD1267•B	10 x 26 1/2	11 5/8 x 25 7/8
RD0967•B	7 x 26 1/2	8 5/8 x 25 7/8
RDB3366•B	15 7/16 x 26	16 1/4 x 25 5/8
RDB2466•B	10 15/16 x 26	11 3/4 x 25 5/8
RD3666•B	16 15/16 x 26	17 3/4 x 25 5/8
RD3366•B	14 1/2 x 26	N/A
RD3066•B	13 15/16 x 26	14 3/4 x 25 5/8
RD2766•B	12 7/16 x 26	13 1/4 x 25 5/8
RD2466•B	22 x 26	23 5/8 x 25 5/8
RD2166•B	19 x 26	20 5/8 x 25 5/8
RD1866•B	16 x 26	17 5/8 x 25 5/8
RD1566•B	13 x 26	14 5/8 x 25 5/8
RD1266•B	10 x 26	11 5/8 x 25 5/8
RD0966•B	7 x 26	8 5/8 x 25 5/8
RDE2464•B or •W	21 x 22	22 5/8 x 23 5/8
RDE1264•B or •W	9 x 22	10 5/8 x 23 5/8
RDB3364•B or •W	15 7/16 x 22	16 1/4 x 23 5/8
RDB2464•B or •W	10 15/16 x 22	11 3/4 x 23 5/8
RD3664•B or •W	16 15/16 x 22	17 3/4 x 23 5/8
RD3064•B or •W	13 15/16 x 22	14 3/4 x 23 5/8
RD2764•B or •W	12 7/16 x 22	13 1/4 x 23 5/8
RD2464•B or •W	22 x 22	23 5/8 x 23 5/8
RD2164•B or •W	19 x 22	20 5/8 x 23 5/8
RD1864•B or •W	16 x 22	17 5/8 x 23 5/8
RD1564•B or •W	13 x 22	14 5/8 x 23 5/8
RD1264•B or •W	10 x 22	11 5/8 x 23 5/8
RDB3362•B	15 7/16 x 60 1/2	16 1/4 x 61 1/8
RDB2462•B	10 15/16 x 60 1/2	11 3/4 x 61 1/8
RD3662•B	16 15/16 x 60 1/2	17 3/4 x 61 1/8
RD3062•B	13 15/16 x 60 1/2	14 3/4 x 61 1/8
RD2762•B	12 7/16 x 60 1/2	13 1/4 x 61 1/8
RD2462•B	22 x 60 1/2	23 5/8 x 61 1/8
RD2162•B	19 x 60 1/2	20 5/8 x 61 1/8
RD1862•B	16 x 60 1/2	17 5/8 x 61 1/8
RD1562•B	13 x 60 1/2	14 5/8 x 61 1/8
RD1262•B	10 x 60 1/2	11 5/8 x 61 1/8
RDB2458•B or •W	10 29/32 x 56 1/2	11 3/4 x 58 1/8
RD2458•B or •W	22 x 56 1/2	23 5/8 x 58 1/8
RD1858•B or •W	16 x 56 1/2	17 5/8 x 58 1/8
RDM3656•B	16 29/32 x 55	17 3/4 x 55 5/8
RDM2456•B	22 x 55	23 5/8 x 55 5/8
RDM1856•B	N/A	17 5/8 x 55 5/8
RDE2456•B	21 x 55	22 5/8 x 55 5/8
RDB3356•B	15 7/16 x 55	16 1/4 x 55 5/8

PART	1/2" Overlay	Full Overlay
RDB2456•B or •W	10 29/32 x 55	11 3/4 x 55 5/8
RDA2456•B or •W	14 1/2 x 55	14 5/8 x 55 5/8
RD3656•B	16 29/32 x 55	17 3/4 x 55 5/8
RD3356•B	14 1/2 x 55	16 1/8 x 55 5/8
RD3056•B	13 29/32 x 55	14 3/4 x 55 5/8
RD2756•B	12 7/16 x 55	13 1/4 x 55 5/8
RD2456•B or •W	22 x 55	23 5/8 x 55 5/8
RD2156•B	19 x 55	20 5/8 x 55 5/8
RD1856•B or •W	16 x 55	17 5/8 x 55 5/8
RD1556•B	13 x 55	14 5/8 x 55 5/8
RD1256•B	10 x 55	11 5/8 x 55 5/8
RD0956•B	7 x 55	8 5/8 x 55 5/8
RDB3354•B or •W	N/A	16 1/4 x 53 5/8
RDB2454•B or •W	N/A	11 3/4 x 53 5/8
RDA2454•B or •W	N/A	14 5/8 x 53 5/8
RDA2154•B or •W	10 1/2 x 52	N/A
RD3654•B or •W	N/A	17 3/4 x 53 5/8
RD3354•B or •W	N/A	16 1/8 x 53 5/8
RD3054•B or •W	N/A	14 3/4 x 53 5/8
RD2754•B or •W	N/A	13 1/4 x 53 5/8
RD2454•B or •W	N/A	23 5/8 x 53 5/8
RD2154•B or •W	19 x 52	20 5/8 x 53 5/8
RD1854•B or •W	16 x 52	17 5/8 x 53 5/8
RD1554•B or •W	13 x 52	14 5/8 x 53 5/8
RD1254•B or •W	N/A	11 5/8 x 53 5/8
RD0954•B or •W	N/A	8 5/8 x 53 5/8
RD2152•B or •W	N/A	20 5/8 x 51 5/8
RDA2147•B or •W	10 5/8 x 47 5/8	N/A
RDB3347•B or •W	N/A	16 1/4 x 47 5/8
RDB2447•B or •W	N/A	11 3/4 x 47 5/8
RDA2447•B or •W	N/A	14 5/8 x 47 5/8
RD3647•B or •W	N/A	17 3/4 x 47 5/8
RD3347•B or •W	N/A	16 1/8 x 47 5/8
RD3047•B or •W	N/A	14 3/4 x 47 5/8
RD2747•B or •W	N/A	13 1/4 x 47 5/8
RD2447•B or •W	N/A	23 5/8 x 47 5/8
RD2147•B or •W	N/A	20 5/8 x 47 5/8
RD1847•B or •W	N/A	17 5/8 x 47 5/8
RD1547•B or •W	N/A	14 5/8 x 47 5/8
RD1247•B or •W	N/A	11 5/8 x 47 5/8
RD0947•B or •W	N/A	8 5/8 x 47 5/8
RDWOAC42	8 13/16 x 40	10 5/8 x 41 5/8
RDWIAC42	14 1/16 x 40	14 7/8 x 41 5/8
RDWEZR2442*	10 1/8 x 40	10 15/16 x 41 5/8
RDWEZR242142*	10 1/8 x 40	10 15/16 x 41 5/8
	7 1/8 x 40	7 15/16 x 41 5/8
RDWEZR2142*	7 1/8 x 40	7 15/16 x 41 5/8
RDWEZR212442*	7 1/8 x 40	7 15/16 x 41 5/8
	10 1/8 x 40	10 15/16 x 41 5/8
RDE1242•B or •W	9 x 40	10 5/8 x 41 5/8
RDB3342•B or •W	15 7/16 x 40	16 1/4 x 41 5/8
RDB2442•B or •W	10 29/32 x 40	11 3/4 x 41 5/8
RDA2442•B or •W	14 1/2 x 40	14 5/8 x 41 5/8
RDA2142•B or •W	10 1/2 x 40	N/A
RD4542•B or •W	20 1/2 x 40	21 1/8 x 41 5/8

PART	1/2" Overlay	Full Overlay
RD3942•B or •W	17 1/2 x 40	19 1/8 x 41 5/8
RD3642•B or •W	16 15/16 x 40	17 3/4 x 41 5/8
RD3342•B or •W	14 1/2 x 40	16 1/8 x 41 5/8
RD3042•B or •W	13 15/16 x 40	14 3/4 x 41 5/8
RD2742•B or •W	12 7/16 x 40	13 1/4 x 41 5/8
RD1842•B or •W	16 x 40	17 5/8 x 41 5/8
RD1542•B or •W	13 x 40	14 5/8 x 41 5/8
RD1242•B or •W	10 x 40	11 5/8 x 41 5/8
RD0942•B or •W	7 x 40	8 5/8 x 41 5/8
*Includes 2 doors hinged together — size listed is for one door		
RDWOAC39	8 13/16 x 37	10 5/8 x 38 5/8
RDWIAC39	14 1/16 x 37	14 7/8 x 38 5/8
RDWEZR2439*	10 1/8 x 37	10 15/16 x 38 5/8
RDWEZR242139*	10 1/8 x 37	10 15/16 x 38 5/8
	7 1/8 x 37	7 15/16 x 38 5/8
RDWEZR2139*	7 1/8 x 37	7 15/16 x 38 5/8
RDWEZR212439*	7 1/8 x 37	7 15/16 x 38 5/8
	10 1/8 x 37	10 15/16 x 38 5/8
RDE1239•B or •W	9 x 37	10 5/8 x 38 5/8
RDB3339•B or •W	15 7/16 x 37	16 1/4 x 38 5/8
RDB2439•B or •W	10 15/16 X 37	11 3/4 X 38 5/8
RDA2439•B or •W	14 1/2 x 37	14 5/8 x 38 5/8
RDA2139•B or •W	10 1/2 x 37	N/A
RD4539•B or •W	20 1/2 x 37	21 1/8 x 38 5/8
RD3939•B or •W	17 1/2 x 37	19 1/8 x 38 5/8
RD3639•B or •W	16 29/32 x 37	17 3/4 x 38 5/8
RD3339•B or •W	14 1/2 x 37	16 1/8 x 38 5/8
RD3039•B or •W	13 29/32 x 37	14 3/4 x 38 5/8
RD2739•B or •W	12 7/16 x 37	13 1/4 x 38 5/8
RD1839•B or •W	16 x 37	17 5/8 x 38 5/8
RD1539•B or •W	13 x 37	14 5/8 x 38 5/8
RD1239•B or •W	10 x 37	11 5/8 x 38 5/8
RD0939•B or •W	7 x 37	8 5/8 x 38 5/8
*Includes 2 doors hinged together — size listed is for one door		
RDWOAC36	8 13/16 x 34	10 5/8 x 35 5/8
RDWLB3636	N/A	35 5/8 x 17 3/4
RDWLB3036	N/A	29 5/8 x 17 3/4
RDWLB2436	N/A	23 5/8 x 17 3/4
RDWIAC36	14 1/16 x 34	14 7/8 x 35 5/8
RDWHB3636	35 5/8 x 35 5/8	35 5/8 x 35 5/8
RDWHB3036	29 5/8 X 35 5/8	29 5/8 X 35 5/8
RDWHB1836	18 x 35 5/8	18 x 35 5/8
RDWHB1236	11 5/8 x 35 5/8	11 5/8 x 35 5/8
RDWEZR2436*	10 1/8 x 34	10 15/16 x 35 5/8
RDWEZR242136*	10 1/8 x 34	10 15/16 x 35 5/8
	7 1/8 x 34	7 15/16 x 35 5/8
RDWEZR2136*	7 1/8 x 34	7 15/16 x 35 5/8
RDE2436•B or •W	21 x 34	22 5/8 x 35 5/8
RDE1236•B or •W	9 x 34	10 5/8 x 35 5/8
RDB3336•B or •W	15 7/16 x 34	16 1/4 x 35 5/8
RDB2436•B or •W	10 29/32 x 34	11 3/4 x 35 5/8
RDA2436•B or •W	14 1/2 x 34	14 5/8 x 35 5/8
RDA2136•B or •W	10 1/2 x 34	N/A
RD4536•B or •W	20 1/2 x 34	22 1/8 x 35 5/8
RD3936•B or •W	17 1/2 x 34	19 1/8 x 35 5/8
RD3636•B or •W	16 23/32 x 34	17 3/4 x 35 5/8
RD3336•B or •W	14 1/2 x 34	16 1/8 x 35 5/8

PART	1/2" Overlay	Full Overlay
RD3036•B or •W	13 15/16 x 34	14 3/4 x 35 5/8
RD2736•B or •W	12 7/16 x 34	13 1/4 x 35 5/8
RD2436•B or •W	22 x 34	23 5/8 x 35 5/8
RD2136•B or •W	19 x 34	20 5/8 x 35 5/8
RD1836•B or •W	16 x 34	17 5/8 x 35 5/8
RD1536•B or •W	13 x 34	14 5/8 x 35 5/8
RD1236•B or •W	10 x 34	11 5/8 x 35 5/8
RD0936•B or •W	7 x 34	8 5/8 x 35 5/8
*Includes 2 doors hinged together — size listed is for one door		
RDE2433•B or •W	21 x 31	22 5/8 x 32 1/8
RDB3333•B or •W	15 7/16 x 31	16 1/4 x 32 1/8
RDB2433•B	10 15/16 x 31	11 3/4 x 32 1/8
RDA2433•B or •W	14 1/2 x 31	14 5/8 x 32 1/8
RD3633•B or •W	16 15/16 x 31	17 3/4 x 32 1/8
RD3333•B or •W	14 1/2 x 31	16 1/8 x 32 1/8
RD3033•B or •W	13 29/32 x 31	14 3/4 x 32 1/8
RD2733•B or •W	12 7/16 x 31	13 1/4 x 32 1/8
RD2433•B or •W	22 x 31	23 5/8 x 32 1/8
RD2133•B or •W	19 x 31	20 5/8 x 32 1/8
RD1833•B or •W	16 x 31	17 5/8 x 32 1/8
RD1533•B or •W	13 x 31	14 5/8 x 32 1/8
RD1233•B or •W	10 x 31	11 5/8 x 32 1/8
RD0933•B or •W	7 x 31	8 5/8 x 32 1/8
RDWOAC32	8 13/16 x 31	10 5/8 x 32 5/8
RDWIAC32	14 1/16 x 31	14 7/8 x 32 5/8
RDWEZR2432*	10 1/8 x 31	10 15/16 x 32 5/8
RDWEZR242132*	7 1/8 x 31	7 15/16 x 32 5/8
	10 1/8 x 31	10 15/16 x 32 5/8
RDWEZR2132*	7 1/8 x 31	7 15/16 x 32 5/8
RDWEZR212432*	10 1/8 x 31	10 15/16 x 32 5/8
	7 1/8 x 31	7 15/16 x 32 5/8
RDE1232•B or •W	9 x 31	10 5/8 x 32 5/8
RDB3332•B or •W	15 7/16 x 31	16 1/4 x 32 5/8
RDB2432•B	10 15/16 x 31	11 3/4 x 32 5/8
RDA2432•B or •W	14 1/2 x 31	14 5/8 x 32 1/8
RDA2132•B or •W	10 1/2 x 31	N/A
RD4532•B or •W	20 1/2 x 31	22 1/8 x 32 5/8
RD3932•B or •W	17 1/2 x 31	19 1/8 x 32 5/8
RD3632•B or •W	16 15/16 x 31	17 3/4 x 32 5/8
RD3332•B or •W	14 1/2 x 31	16 1/8 x 32 5/8
RD3032•B or •W	13 15/16 x 31	14 3/4 x 32 5/8
RD2732•B or •W	12 7/16 x 31	13 1/4 x 32 5/8
RD1832•B or •W	16 x 31	17 5/8 x 32 5/8
RD1532•B or •W	13 x 31	14 5/8 x 32 5/8
RD1232•B or •W	10 x 31	11 5/8 x 32 5/8
RD0932•B or •W	7 x 31	8 5/8 x 32 5/8
*Includes 2 doors hinged together — size listed is for one door		
RDZ3630•B or •W	10 1/8 x 28	10 15/16 x 29 5/8
RDZ3330•B or •W	7 1/8 x 28	7 15/16 x 29 5/8
RDWOAC30	8 13/16 x 28	10 5/8 x 29 5/8
RDWLBFB3630	N/A	35 5/8 x 14 3/4
RDWLBFB3030	N/A	29 5/8 x 14 3/4
RDWLBFB2430	N/A	23 5/8 x 14 3/4
RDWIAC30	14 1/16 x 28	14 7/8 x 29 5/8
RDWHB3630	35 5/8 x 29 5/8	35 5/8 x 29 5/8
RDWHB3030	29 5/8 X 29 5/8	29 5/8 X 29 5/8

PART	1/2" Overlay	Full Overlay
RDWHB1830	18 x 29 5/8	18 x 29 5/8
RDWHB1230	11 5/8 x 29 5/8	11 5/8 x 29 5/8
RDWEZR2430*	10 1/8 x 28	10 15/16 x 29 5/8
RDWEZR242130*	7 1/8 x 28	7 15/16 x 29 5/8
	10 1/8 x 28	10 15/16 x 29 5/8
RDWEZR2130*	7 1/8 x 28	7 15/16 x 29 5/8
RDWEZR212430*	7 1/8 x 28	7 15/16 x 29 5/8
	10 1/8 x 28	10 15/16 x 29 5/8
RDMC2430•B	22 x 28	23 5/8 x 29 5/8
RDM3630•B or •W	16 29/32 x 28	17 3/4 x 29 5/8
RDE2430•B	21 x 28	22 5/8 x 29 5/8
RDE2430•B or •W	21 x 28	22 5/8 x 29 5/8
RDE1230•B or •W	9 x 28	10 5/8 x 29 5/8
RDBOAC30•B	13 13/16 x 28	15 5/8 x 29 5/8
RDBIAC30•B	9 1/16 x 28	9 7/8 x 29 5/8
RDB3730•W	17 7/16 x 28	18 1/4 x 29 5/8
RDB3430•W	15 15/16 x 28	16 3/4 x 29 5/8
RDB3330•B or •W	15 7/16 x 28	16 1/4 x 29 5/8
RDB2430•B or •W	10 29/32 x 28	11 3/4 x 29 5/8
RDA2430•B or •W	14 1/2 x 28	14 5/8 x 29 5/8
RDA2130•B or •W	10 1/2 x 28	N/A
RD4530•B or •W	20 1/2 x 28	22 1/8 x 29 5/8
RD4230•B or •W	19 29/32 x 28	20 3/4 x 29 5/8
RD3930•B or •W	17 1/2 x 28	19 1/8 x 29 5/8
RD3630•B or •W	16 29/32 x 28	17 3/4 x 29 5/8
RD3330•B or •W	14 1/2 x 28	16 1/8 x 29 5/8
RD3130•B or •W	14 11/16 x 28	15 1/2 x 29 5/8
RD3030•B or •W	13 29/32 x 28	14 3/4 x 29 5/8
RD2730•B or •W	12 7/16 x 28	13 1/4 x 29 5/8
RD2430•B or •W	22 x 28	23 5/8 x 29 5/8
RD2130•B or •W	19 x 28	20 5/8 x 29 5/8
RD1830•B or •W	16 x 28	17 5/8 x 29 5/8
RD1530•B or •W	13 x 28	14 5/8 x 29 5/8
RD1230•B or •W	10 x 28	11 5/8 x 29 5/8
RD0930•B or •W	7 x 28	8 5/8 x 29 5/8
RD0630•B	4 x 28	5 5/8 x 29 5/8
*Includes 2 doors hinged together — size listed is for one door		
RDM1827•B or •W	16 X 25	17 5/8 X 26 5/8
RDE2427•B or •W	21 x 25	22 5/8 x 26 5/8
RDB3727•W	17 7/16 x 25	18 1/4 x 26 5/8
RDB3427•W	15 15/16 x 25	16 3/4 x 26 5/8
RDB3327•B or •W	15 7/16 x 25	16 1/4 x 26 5/8
RDA2427•B or •W	13 x 25	14 5/8 x 26 5/8
RD3927•B or •W	17 1/2 x 25	19 1/8 x 26 5/8
RD3627•B or •W	16 29/32 x 25	17 3/4 x 26 5/8
RD3327•B or •W	14 1/2 x 25	16 1/8 x 26 5/8
RD3127•B or •W	14 11/16 x 25	15 1/2 x 26 5/8
RD3027•B or •W	13 29/32 x 25	14 3/4 x 26 5/8
RD2727•B or •W	12 7/16 x 25	13 1/4 x 26 5/8
RD2427•B or •W	22 x 25	23 5/8 x 26 5/8
RD2127•B or •W	19 x 25	20 5/8 x 26 5/8
RD1827•B or •W	16 X 25	17 5/8 x 26 5/8
RD1727•B***	17 x 27 1/2	17 x 27 1/2
RD1227•B or •W	10 x 25	11 5/8 x 26 5/8
RD0927•B or •W	7 x 25	8 5/8 x 26 5/8
***Frame with mirror only		
RDZ3326•B	7 1/8 x 22 1/2	7 15/16 x 24 1/8

PART	1/2" Overlay	Full Overlay
RD1826•B	16 x 22 1/2	17 5/8 x 24 1/8
RD1526•B	13 x 22 1/2	14 5/8 x 24 1/8
RD1226•B	10 x 22 1/2	11 5/8 x 24 1/8
RDWTHG3624	34 x 21 1/2	35 5/8 x 23 1/8
RDWTHG3024	28 x 21 1/2	29 5/8 x 23 1/8
RDWTHG2424	22 x 21 1/2	23 5/8 x 23 1/8
RDWTHG1524	13 x 21 1/2	14 5/8 x 23 1/8
RDWHB3624	35 5/8 x 23 1/8	35 5/8 x 23 1/8
RDWHB3024	29 5/8 X 17 5/8	29 5/8 X 17 5/8
RDWHB1824	18 X 23 1/8	18 X 23 1/8
RDWHB1224	11 5/8 X 23 1/8	11 5/8 X 23 1/8
RDL53624•B	10 11/16 x 20 1/8	N/A
RDE2424•B or •W	21 x 21 1/2	22 5/8 x 23 1/8
RDB4224•B	19 15/16 x 21 1/2	20 3/4 x 23 1/8
RDB3924•B	18 7/16 x 21 1/2	19 1/4 x 23 1/8
RDB3724•W	17 7/16 x 21 1/2	18 1/4 x 23 1/8
RDB3424•W	15 15/16 x 21 1/2	16 3/4 x 23 1/8
RDB3324•B or •W	15 7/16 x 21 1/2	16 1/4 x 23 1/8
RDB2424•B or •W	10 29/32 x 21 1/2	11 3/4 x 23 1/8
RDA2424•B or •W	14 1/2 x 21 1/2	14 5/8 x 23 1/8
RDA2124•B or •W	10 1/2 x 21 1/2	N/A
RD4524•B or •W	20 1/2 x 21 1/2	22 1/8 x 23 1/8
RD3924•B or •W	17 1/2 x 21 1/2	19 1/8 x 23 1/8
RD3624•B or •W	16 29/32 x 21 1/2	17 3/4 x 23 1/8
RD3324•B or •W	14 1/2 x 21 1/2	16 1/8 x 23 1/8
RD3124•B	14 11/16 x 21 1/2	15 1/2 x 23 1/8
RD3124•B or •W	14 11/16 x 21 1/2	15 1/2 x 23 1/8
RD3024•B or •W	13 29/32 x 21 1/2	14 3/4 x 23 1/8
RD2724•B or •W	12 7/16 x 21 1/2	13 1/4 x 23 1/8
RD2424•B or •W	22 x 21 1/2	23 5/8 x 23 1/8
RD2124•B or •W	19 x 21 1/2	20 5/8 x 23 1/8
RD1824•B or •W	16 x 21 1/2	17 5/8 x 23 1/8
RD1524•B or •W	13 x 21 1/2	14 5/8 x 23 1/8
RD1224•B or •W	10 x 21 1/2	11 5/8 x 23 1/8
RD0924•B or •W	7 x 21 1/2	8 5/8 x 23 1/8
RDWTHG3622	35 x 19	36 5/8 x 20 5/8
RDWTHG3022	28 x 19	29 5/8 x 20 5/8
RDB4222•B	19 15/16 x 19	20 3/4 x 20 5/8
RDB3922•B	18 7/16 x 19	19 1/4 x 20 5/8
RDB3722•W	17 7/16 x 19	18 1/4 x 20 5/8
RDB3422•W	15 15/16 x 19	16 3/4 x 20 5/8
RDB2422•B or •W	10 15/16 x 19	11 3/4 x 20 5/8
RD3922•B or •W	17 1/2 x 19	19 1/8 x 20 5/8
RD3622•B or •W	16 29/32 x 19	17 3/4 x 20 5/8
RD3322•B or •W	14 1/2 x 19	16 1/8 x 20 5/8
RD3122•B or •W	14 11/16 x 19	15 1/2 x 20 5/8
RD3022•B or •W	13 29/32 x 19	14 3/4 x 20 5/8
RD2722•B or •W	12 7/16 x 19	13 1/4 x 20 5/8
RD2122•B or •W	19 x 19	20 5/8 x 20 5/8
RD1822•B or •W	16 x 19	17 5/8 x 20 5/8
RD1522•B or •W	13 x 19	14 5/8 x 20 5/8
RD1222•B or •W	10 x 19	11 5/8 x 20 5/8
RDB3321•B	15 7/16 x 18 1/2	16 1/4 x 20 1/8
RDB2421•B	10 15/16 x 18 1/2	11 3/4 x 20 1/8
RD3921•B	17 1/2 x 18 1/2	19 1/8 x 20 1/8
RD3621•B	16 15/16 x 18 1/2	17 3/4 x 20 1/8

PART	1/2" Overlay	Full Overlay
RD3021•B	13 15/16 X 18 1/2	14 3/4 x 20 1/8
RD2721•B	12 7/16 x 18 1/2	13 1/4 x 20 1/8
RD2421•B	22 x 18 1/2	23 5/8 x 20 1/8
RD2121•B	19 x 18 1/2	20 5/8 x 20 1/8
RD1821•B	16 x 18 1/2	17 5/8 x 20 1/8
RD1521•B	13 x 18 1/2	14 5/8 x 20 1/8
RD1221•B or •W	10 x 18 1/2	11 5/8 x 20 1/8
RDWTHG3618	34 x 16	35 5/8 x 17 5/8
RDWTHG3018	28 x 16	29 5/8 x 17 5/8
RDWTHG2418	22 x 16	23 5/8 x 17 5/8
RDWTHG1518	13 x 16	14 5/8 x 17 5/8
RDWHB3618	35 5/8 X 17 5/8	35 5/8 X 17 5/8
RDWHB3018	29 5/8 X 17 5/8	29 5/8 X 17 5/8
RDWHB1818	18 X 17 5/8	18 X 17 5/8
RDWHB1218	11 5/8 X 17 5/8	11 5/8 X 17 5/8
RDB4818•B	22 15/16 x 16	23 3/4 x 17 5/8
RDB4518•B	21 7/16 x 16	22 1/4 x 17 5/8
RDB4218•B	19 15/16 x 16	20 3/4 x 17 5/8
RDB3918•B	18 7/16 x 16	19 1/4 x 17 5/8
RDB3718•B	17 7/16 x 16	18 1/4 x 17 5/8
RDB3418•W	15 15/16 X 16	16 3/4 X 17 5/8
RDB3318•B or •W	15 7/16 x 16	16 1/4 x 17 5/8
RDB2418•B or •W	10 29/32 x 16	11 3/4 x 17 5/8
RDAG3618•B	34 x 18	35 5/8 x 17 5/8
RDAG3018•B	28 x 18	29 5/8 x 17 5/8
RDAG2418•B	22 x 18	23 5/8 x 17 5/8
RDAG1818•B	16 x 18	17 5/8 x 17 5/8
RDAAG2418•B	14 1/2 x 18	14 5/8 x 17 5/8
RDA2418•B or •W	14 1/2 x 16	14 5/8 x 17 5/8
RDA2118•B or •W	10 1/2 x 16	N/A
RD4318•W	19 1/2 x 16	21 1/8 x 17 5/8
RD3918•B or •W	17 1/2 x 16	19 1/8 x 17 5/8
RD3618•B or •W	16 29/32 x 16	17 3/4 x 17 5/8
RD3318•B or •W	14 1/2 x 16	16 1/8 x 17 5/8
RD3118•B or •W	14 11/16 x 16	15 1/2 x 17 5/8
RD3018•B or •W	13 29/32 x 16	14 3/4 x 17 5/8
RD2718•B or •W	12 7/16 x 16	13 1/4 x 17 5/8
RD2418•B or •W	22 x 16	23 5/8 x 17 5/8
RD2118•B or •W	19 x 16	20 5/8 x 17 5/8
RD1818•B or •W	16 x 16	17 5/8 x 17 5/8
RD1518•B or •W	13 x 16	14 5/8 x 17 5/8
RD1218•B or •W	10 x 16	11 5/8 x 17 5/8
RD0918•B or •W	7 x 16	8 5/8 x 17 5/8
RDWBCD3616	13 x 11 5/8	14 5/8 x 11 5/8
RD1516•B	13 x 15 1/2	14 5/8 x 16 5/8
RDWTHG3615	34 x 13	35 5/8 x 14 5/8
RDWTHG3015	28 x 13	29 5/8 x 14 5/8
RDWTHG2415	22 x 13	23 5/8 x 14 5/8
RDWTHG1515	13 x 13	14 5/8 x 14 5/8
RDWBCD3615	10 3/8 x 11 5/8	11 3/8 x 11 5/8
RDB3715•W	17 7/16 x 13	18 1/4 x 14 5/8
RDB3415•W	15 15/16 x 13	16 3/4 x 14 5/8
RDB3315•B or •W	15 7/16 x 13	16 1/4 x 14 5/8
RDB2415•B or •W	10 29/32 x 13	11 3/4 x 14 5/8
RDA2415•B or •W	14 1/2 x 13	14 5/8 x 14 5/8
RDA2115•B or •W	10 1/2 x 13	N/A
RD4315•W	19 1/2 x 13	21 1/8 x 14 5/8

PART	1/2" Overlay	Full Overlay
RD3915•B or •W	17 1/2 x 13	19 1/8 x 14 5/8
RD3615•B or •W	16 29/32 x 13	17 3/4 x 14 5/8
RD3315•B or •W	14 1/2 x 13	16 1/8 x 14 5/8
RD3115•B or •W	14 11/16 x 13	15 1/2 x 14 5/8
RD3015•B or •W	13 29/32 x 13	14 3/4 x 14 5/8
RD2715•B or •W	12 7/16 x 13	13 1/4 x 14 5/8
RD2115•B or •W	19 x 13	20 5/8 x 14 5/8
RD1815•B or •W	16 x 13	17 5/8 x 14 5/8
RD1515•B or •W	13 x 13	14 5/8 x 14 5/8
RD1215•B or •W	10 x 13	11 5/8 x 14 5/8
RDWBCD3614	10 3/8 x 11 5/8	11 3/8 x 11 5/8
RDWTHG3612	34 x 10	35 5/8 x 11 5/8
RDWTHG3012	28 x 10	29 5/8 x 11 5/8
RDWTHG2412	22 x 10	23 5/8 x 11 5/8
RDWTHG1512	13 x 10	14 5/8 x 11 5/8
RDB3712•W	17 7/16 x 10	18 1/4 x 11 5/8
RDB3412•B or •W	15 15/16 x 10	16 3/4 x 11 5/8
RDB3312•B or •W	15 7/16 x 10	16 1/4 x 11 5/8
RDB2412•B or •W	10 29/32 x 10	11 3/4 x 11 5/8
RDA2412•B or •W	14 1/2 x 10	14 5/8 x 11 5/8
RDA2112•B or •W	10 1/2 x 10	N/A
RD4312•B or •W	19 1/2 x 10	21 1/8 x 11 5/8
RD3912•B or •W	17 1/2 x 10	19 1/8 x 11 5/8
RD3612•B or •W	16 29/32 x 10	17 3/4 x 11 5/8
RD3312•B or •W	14 1/2 x 10	16 1/8 x 11 5/8
RD3112•B or •W	14 11/16 x 10	15 1/2 x 11 5/8
RD3012•B or •W	13 29/32 x 10	14 3/4 x 11 5/8
RD2712•B or •W	12 7/16 x 10	13 1/4 x 11 5/8
RD2112•B or •W	19 x 10	20 5/8 x 11 5/8
RD1812•B or •W	16 x 10	17 5/8 x 11 5/8
RD1512•B or •W	13 x 10	14 5/8 x 11 5/8
RD1212•B or •W	10 x 10	11 5/8 x 11 5/8
RD0912•B or •W	N/A	8 5/8 X 11 5/8
RDWWHV3609	9 x 34	9 7/8 x 35 5/8
RDWWHV3009	9 x 28	9 7/8 x 29 5/8
RDWWHV1209	9 x 10	9 7/8 x 11 5/8
RDWBCD3606	5 3/4 x 11 5/8	6 1/8 x 11 5/8
RDWFD2705	N/A	5 5/8 x 26 5/8
RDWFD2405	N/A	5 5/8 x 23 5/8
RDWFD2105	N/A	5 5/8 x 20 5/8
RDWFD1805	N/A	5 5/8 x 17 5/8
RDWFD1505	N/A	5 5/8 x 14 5/8
RDEZR3633•B*	10 1/8 x 28	10 15/16 x 29 5/8
	7 1/8 x 28	7 15/16 x 29 5/8
RDEZR36•B*	10 1/8 x 28	10 15/16 x 29 5/8
RDEZR3336•B*	7 1/8 x 28	7 15/16 x 29 5/8
	10 1/8 x 28	10 15/16 x 29 5/8
RDEZR33•B*	7 1/8 x 28	7 15/16 x 29 5/8
RDDEZR27•B*	7 1/8 x 22 1/2	7 15/16 x 24 1/8
*Includes 2 doors hinged together — size listed is for one door		
RDW4216	13 x 40	14 5/8 x 41 5/8
RDW3616	13 x 34	14 5/8 x 35 5/8

PART	1/2" Overlay	Full Overlay
RDW3316	N/A	14 5/8 x 32 5/8
RDW3016	13 x 28	14 5/8 x 29 5/8
RDW2716	13 x 25	14 5/8 x 26 5/8
RDW2416	13 x 22	14 5/8 x 23 5/8
RDW2116	13 x 19	14 5/8 x 20 5/8
RDW1816	13 x 16	14 5/8 x 17 5/8
RDW1516	13 x 13	14 5/8 x 14 5/8
RDW1216	13 x 10	11 5/8 x 14 5/8
RDW4215	N/A	11 3/8 x 41 5/8
RDW3915	N/A	11 3/8 x 38 5/8
RDW3615	N/A	11 3/8 x 35 5/8
RDW3315	N/A	11 3/8 x 32 5/8
RDW3115	N/A	11 3/8 x 31 1/8
RDW3015	N/A	11 3/8 x 29 5/8
RDW2715	N/A	11 3/8 x 26 5/8
RDW2415	N/A	11 3/8 x 23 5/8
RDW2115	N/A	11 3/8 x 20 5/8
RDW1815	N/A	11 3/8 x 17 5/8
RDW1515	N/A	11 3/8 x 14 5/8
RDW1215	N/A	11 3/8 x 11 5/8
RDW4214	10 3/8 x 37	N/A
RDW3914	10 3/8 x 37	N/A
RDW3614	10 3/8 x 34	N/A
RDW3314	10 3/8 x 31	N/A
RDW3114	10 3/8 x 29 1/2	N/A
RDW3014	10 3/8 x 28	N/A
RDW2714	10 3/8 x 25	N/A
RDW2414	10 3/8 x 22	N/A
RDW2114	10 3/8 x 19	N/A
RDW1814	10 3/8 x 16	N/A
RDW1514	10 3/8 x 13	N/A
RDW1214	10 3/8 x 10	N/A
RDW2413	N/A	11 1/8 x 23 5/8
RDW2113	N/A	11 1/8 x 20 5/8
RDW1813	9 1/8 x 16	11 1/8 x 17 5/8
RDW1513	9 1/8 x 13	11 1/8 x 14 5/8
RDW1213	9 1/8 x 10	11 1/8 x 11 5/8
RDW3012	11 3/16 x 28	12 x 29 5/8
RDW2412	11 3/16 x 22	12 x 23 5/8
RDW1812	11 3/16 x 16	12 x 17 5/8
RDW3611	8 3/4 x 34	10 5/8 x 35 5/8
RDW3311	8 3/4 x 31	10 5/8 x 32 5/8
RDW3111	8 3/4 x 29 1/2	10 5/8 x 31 1/8
RDW3011	8 3/4 x 28	10 5/8 x 29 5/8
RDW2711	8 3/4 x 25	10 5/8 x 26 5/8
RDW2411	8 3/4 x 22	10 5/8 x 23 5/8
RDW2111	8 3/4 x 19	10 5/8 x 20 5/8
RDW1811	8 3/4 x 16	10 5/8 x 17 5/8
RDW1511	8 3/4 x 13	10 5/8 x 14 5/8
RDW1211	8 3/4 x 10	10 5/8 x 11 5/8
RDW3010	N/A	9 1/8 x 29 5/8
RDW2710	8 1/2 x 25	9 1/8 x 26 5/8
RDW2410	N/A	9 1/8 x 23 5/8

PART	1/2" Overlay	Full Overlay
RDW2110	N/A	9 1/8 x 20 5/8
RDW1810	N/A	9 1/8 x 17 5/8
RDW1510	N/A	9 1/8 x 14 5/8
RDW1210	N/A	9 1/8 x 11 5/8
RDW3609	7 x 34	8 5/8 x 35 5/8
RDW2409	9 1/2 x 22	N/A
RDW2109	9 1/2 x 19	N/A
RDW1809	9 1/2 x 16	N/A
RDW1509	9 1/2 x 13	N/A
RDW1209	9 1/2 x 10	N/A
RDW3308	N/A	7 5/8 X 32 5/8
RDW3108	N/A	7 5/8 x 31 1/8
RDW3008	N/A	7 5/8 X 29 5/8
RDW2708	N/A	7 5/8 X 26 5/8
RDW2408	N/A	7 5/8 x 23 5/8
RDW2108	N/A	7 5/8 x 20 5/8
RDW1808	N/A	7 5/8 x 17 5/8
RDW1508	N/A	7 5/8 x 14 5/8
RDW3007	7 1/2 x 28	N/A
RDW2707	7 1/2 x 25	N/A
RDW4506*****	5 3/4 x 20 1/2	6 1/8 x 22 1/8
RDW4206	5 3/4 x 40	6 1/8 x 41 5/8
RDW4006	5 3/4 x 37	6 1/8 x 38 5/8
RDW3906	5 3/4 x 17 1/2	6 1/8 x 19 1/8
RDW3606	5 3/4 x 34	6 1/8 x 35 5/8
RDW3306	5 3/4 x 31	6 1/8 x 32 5/8
RDW3106	5 3/4 X 29 1/2	N/A
RDW3006	5 3/4 x 28	6 1/8 x 29 5/8
RDW2706	5 3/4 x 25	6 1/8 x 26 5/8
RDW2406	5 3/4 x 22	6 1/8 x 23 5/8
RDW2106	5 3/4 x 19	6 1/8 x 20 5/8
RDW1806	5 3/4 x 16	6 1/8 x 17 5/8
RDW1706	5 3/4 x 14 1/2	6 1/8 x 16 1/8
RDW1506	5 3/4 x 13	6 1/8 x 14 5/8
RDW1206	5 3/4 x 10	6 1/8 x 11 5/8
RDW0906	5 3/4 x 7	6 1/8 x 8 5/8
RDW0606*****	5 1/2 x 5 13/16	5 1/2 x 5 13/16
*****For spice drawer cabinet only		
RDW3604	3 1/2 x 34	N/A
RDW3304	3 1/2 x 31	4 1/8 x 32 5/8
RDW3004	3 1/2 x 28	4 1/8 x 29 5/8
RDW2704	3 1/2 x 25	4 1/8 x 26 5/8
RDW2604	3 1/2 x 25	4 1/8 x 26 5/8
RDW2404	3 1/2 x 22	4 1/8 x 23 5/8
RDW2104	3 1/2 x 19	4 1/8 x 20 5/8
RDW1804	3 1/2 x 16	4 1/8 x 17 5/8
RDW1704	3 1/2 x 14 1/2	N/A
RDW1504	3 1/2 x 13	4 1/8 x 14 5/8

THE MERRILLAT MASTERPIECE® COLLECTION CABINETWORKS GROUP MICHIGAN, LLC LIFETIME LIMITED WARRANTY

Cabinetworks Group Michigan, LLC warrants to the original consumer purchaser that the Merillat Masterpiece® Collection cabinetry will be free from defects in material and workmanship under normal use for as long as you own the cabinetry.

Cabinetworks Group Michigan, LLC warrants to the original consumer purchaser that the door hinges and drawer glides provided with the cabinetry will be free from defects in material and workmanship under normal use for as long as you own the cabinetry.

WHAT WE WILL DO

Cabinetworks Group Michigan, LLC may elect to either repair or replace product from the Merillat Masterpiece Collection that is defective under normal use.

From time to time, we will change design, specifications, and materials as conditions require and improvements are developed, but we have no obligation to incorporate such changes in products we previously manufactured. Replacement hinges and drawer glides are subject to their availability from our suppliers.

EXCLUSIONS FROM COVERAGE

As with other natural materials, wood is affected by environmental factors such as natural and artificial lighting. Darkening or mellowing of the wood can be expected and is a natural process of wood as it ages. Each wood species also exhibits its own distinctive patterns and characteristics. These variations in color and characteristics are not considered imperfections or defects. This warranty does not cover the natural aging and darkening of wood color, or the inherent growth characteristics of, or variation in, wood.

This warranty does not cover removal, installation, labor or transportation costs to Cabinetworks Group Michigan, LLC of the defective Products. Nor does this warranty cover any product used or installed in connection with the cabinets or cabinetwork, such as plumbing fixtures, gas or electrical appliances, or countertops. We shall provide for the cost of the return shipment of repaired or replacement Products to the consumer, if deemed necessary. Cabinetworks Group Michigan, LLC is not liable for damages or defects resulting from reasonable wear and tear, accidents, acts of God, outdoor use, misuse (including use of the product for an unintended application), improper handling or storage, abuse, neglect, or improper or incorrectly performed installation, maintenance, alterations or repair, including failure to follow the

applicable storage and installation instructions.

Some states/provinces (including Quebec) do not allow limitations on how long an implied warranty lasts, so the below limitation may not apply to you. TO THE MAXIMUM EXTENT PERMITTED BY APPLICABLE LAW, ANY IMPLIED WARRANTY, INCLUDING THE IMPLIED WARRANTIES OF MERCHANTABILITY AND OF FITNESS FOR A PARTICULAR PURPOSE, IS LIMITED TO THE STATUTORY PERIOD OR DURATION OF THIS WARRANTY, WHICHEVER IS SHORTER.

Some states and provinces (including Quebec) do not allow the exclusion or limitation of incidental or consequential damages, so the above limitation or exclusion may not apply to you. TO THE MAXIMUM EXTENT PERMITTED BY APPLICABLE LAW: THIS WARRANTY DOES NOT COVER INDIRECT, SPECIAL, INCIDENTAL, OR CONSEQUENTIAL DAMAGES, LOSS OF USE, OR LABOR EXPENSES IN UNINSTALLING OR INSTALLING ANY MATERIAL OR PARTS, WHETHER ARISING OUT OF BREACH OF WARRANTY, BREACH OF CONTRACT, NEGLIGENCE, TORT, OR ANY OTHER LEGAL THEORY, EVEN IF CABINETWORKS GROUP MICHIGAN, LLC HAS BEEN ADVISED OF THE POSSIBILITY THEREOF. CABINETWORKS GROUP MICHIGAN, LLC DISCLAIMS RESPONSIBILITY FOR DAMAGES IN EXCESS OF YOUR PURCHASE PRICE. Notice to residents of the State of New Jersey: The provisions of this warranty, including its limitations, are intended to apply to the fullest extent permitted by the laws of the State of New Jersey.

This warranty is only covers products purchased and installed in the United States of America and Canada. This warranty gives you specific legal rights, and you may also have other rights that vary from state to state and from province to province.

WARRANTY CLAIMS

To obtain performance under this warranty, you must contact the Merillat Masterpiece Collection supplier and report, in writing, all defects claimed. If you have difficulty obtaining assistance, write to: The Merillat Masterpiece Collection Warranty Department, Cabinetworks Group Michigan, LLC, 15535 South State Ave., Middlefield, Ohio 44062 U.S.A.

This warranty is not transferable.



MERRILLAT CABINETRY



MERILLAT CABINETRY

MERILLAT.COM

@MERILLAT



Actual colors may vary slightly due to printing limitations. For full color accuracy, please visit your Merillat Cabinetry professional.

K-Cup® is a registered trademark of Keurig Green Mountain, Inc.
Rubbermaid® is a registered trademark of Rubbermaid Incorporated.
OXO is a product of OXO International, Ltd.

Behr® is a registered trademark of Behr Process Corporation. Benjamin Moore® is a registered trademark of Benjamin Moore & Co. Sherwin-Williams® is a registered trademark of The Sherwin-Williams Company. Valspar® is a registered trademark of The Valspar Corporation.

©2020 Cabinetworks Group Michigan, LLC.
Printed in the USA MMP-SPECBOOK 0420

