

SPEC BOOK 2018/2019

THE
MASTERPIECE[®]
COLLECTION



MERRILLAT CABINETRY

THE
MASTERPIECE®
COLLECTION

OUR
VERY
BEST



MERILLAT CABINETRY



The Masterpiece® Collection gives you precisely the details you need to perfect your design. It's all of our best thinking, in the form of cabinetry.



WELCOME TO THE MASTERPIECE[®] COLLECTION.

This year, we're delivering more than new products. We're handing you an entirely refreshed design experience with The Masterpiece[®] Collection. With more than 4,000 SKUs, dozens of new door styles, and trend-forward finishes, this collection delivers beautiful, functional, and flexible options to elevate your designs.

Whether it's an entirely new SKU or an evolution of a previous product, we've designed solutions to seamlessly complete your customers' homes. With the strength of more than 70 years built into The Masterpiece[®] Collection, we are proud to present these new products for a lifetime of beautiful use.





REDEFINING
OUR
PREMIUM
SELECTION

CONTENTS.

09 / FINISHES.

Open a new world of color.

21 / DOOR STYLES.

New designs that are both enduring and modern.

40 / STORAGE SOLUTIONS.

Smart, inventive options to put everything in its place.

56 / INCREDIBLE FLEXIBILITY.

Made to fit every space, every time.

60 / DETAIL-DRIVEN DESIGN.

The Masterpiece® Collection difference is in the details.

72 / VANITY STYLES.

Bathrooms, better designed.

74 / PRODUCT ADVANCEMENTS.

The cabinetry you love just got better.





FINISHES

FRESH FINISHES.

As trends evolve, so do we. Whether your homeowners are drawn to classic tones or a bold color scheme, ultra-modern foils or an heirloom look, we're introducing trend-forward styles so you can give them precisely the spaces that suit their lifestyle.

INTRODUCING A SOFTER LOOK - SUEDE TOPCOAT.

Soften the sheen of a finish to give it a more luxurious, matte appearance. Like our standard topcoat, suede provides durability and resistance to scuffs, stains, UV fade, and wear and tear caused by cleaning chemicals. Our suede topcoat is standard on all Aged and Distressed finishes, and is available on all finishes except Natural.

Photo:
Montresano Aged Concrete Maple

Availability key:
RA / Rustic Alder
C / Cherry
H / Hickory
RH / Rustic Hickory
M / Maple
O / Oak
QO / Quartersawn Oak
CR / Crafted Hardwood Veneer (Cherry, Maple, Oak)
E / EverCore®



NEW PAINTS.

Whether you want to punch up a space with a pop of color or ground it in a cool neutral, our new paint offering has something for everyone searching for the smooth, clean look of painted cabinetry.



SURFSIDE
M/E



LAGOON
M/E



BONSAI
M/E



BURMESE
M/E

All paints and stains are shown on Maple unless marked otherwise.
* Shown on Cherry



MOONSHINE
M/E



MOONSHINE W/
CINDER GLAZE
M



MOONSHINE W/
COCOA GLAZE
M



VINTAGE
MOONSHINE*
C



LINEN
M/E



LINEN W/
CINDER GLAZE
M



LINEN W/ COCOA
GLAZE
M



VINTAGE LINEN*
C

NEW AGED TECHNIQUE.

Our aged technique achieves the look of well-loved cabinetry. Each piece is hand-sanded and burnished before our artisans apply distressing effects, including edge rasping, worm holes, softened corners and edges, and random dent patterns. We then apply two coats of paint followed by a glaze finish to add further richness. Through a series of subsequent steps, we employ various techniques to highlight recesses and edges and add subtle depth and dimension. We finish the look with our suede topcoat for a beautiful matte finish.



AGED PAPYRUS
M



AGED CONCRETE
M



AGED RIVER ROCK
M



PERFECTING AN AGED DESIGN.

Our aged cabinetry comes with natural Birch ends unless you request an alternate option. You must order a specific finished end panel to ensure a consistent look.

NATURAL BIRCH



Unless you specify differently, aged cabinetry will be shipped with natural Birch finish ends.

WOOD SKIN



This skin matches the cabinet color, but does not attempt to match the door style—a classic, straightforward solution.

MATCHING END PANEL



This option matches the door style and covers the entire side, including the edge area of the frame.



WOOD SKIN WITH
REPLACEMENT DOOR



To break up the line of the end, this option carries the look of a door around the corner.

INTEGRATED END



Both the front and side of the cabinet show the door profile, as a decorative door is built into the end panel of the cabinet. This option works well in tight spaces with under-cabinet molding applications.

OPERATIONAL END



A fully-functioning second door on the end of the cabinet allows for full access from either side.

Photo Above:
Riverside Molasses Cherry / Aged Concrete Maple

NEW STAINS.

From warm and inviting to bright and dynamic, our new stains were selected to masterfully complete your designs while complimenting the natural swirl and pattern of the wood. Here, you'll find finishes you know and love, now available in expanded options.



BALTIC*
RA/C/O/QO/CR



CANNON GREY**
RA/C/O/QO/CR



MOLASSES
RA/C/H/RH/M/O/QO/CR

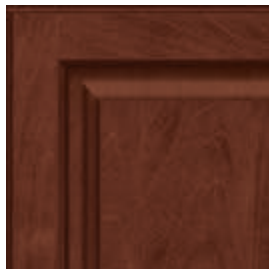
Availability key:
RA / Rustic Alder
C / Cherry
H / Hickory
RH / Rustic Hickory
M / Maple
O / Oak
QO / Quartersawn Oak
CR / Crafted Hardwood Veneer (Cherry, Maple, Oak)
E / EverCore®



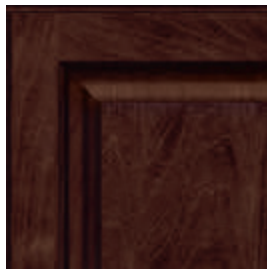
MORE OPTIONS. MORE TO LOVE.



HUSK*
RA/CR



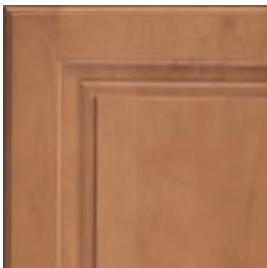
KAFFÉ
RA/M/CR



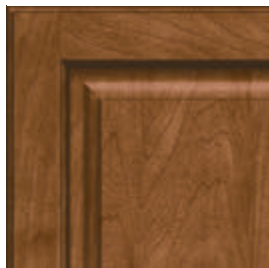
PEPPERCORN
RA/M/CR



PRALINE
RA/C/O/QO/CR



GINGER
RA/C/H/RH/M/O/
QO/CR



CHOCOLATE*
RA/M/CR

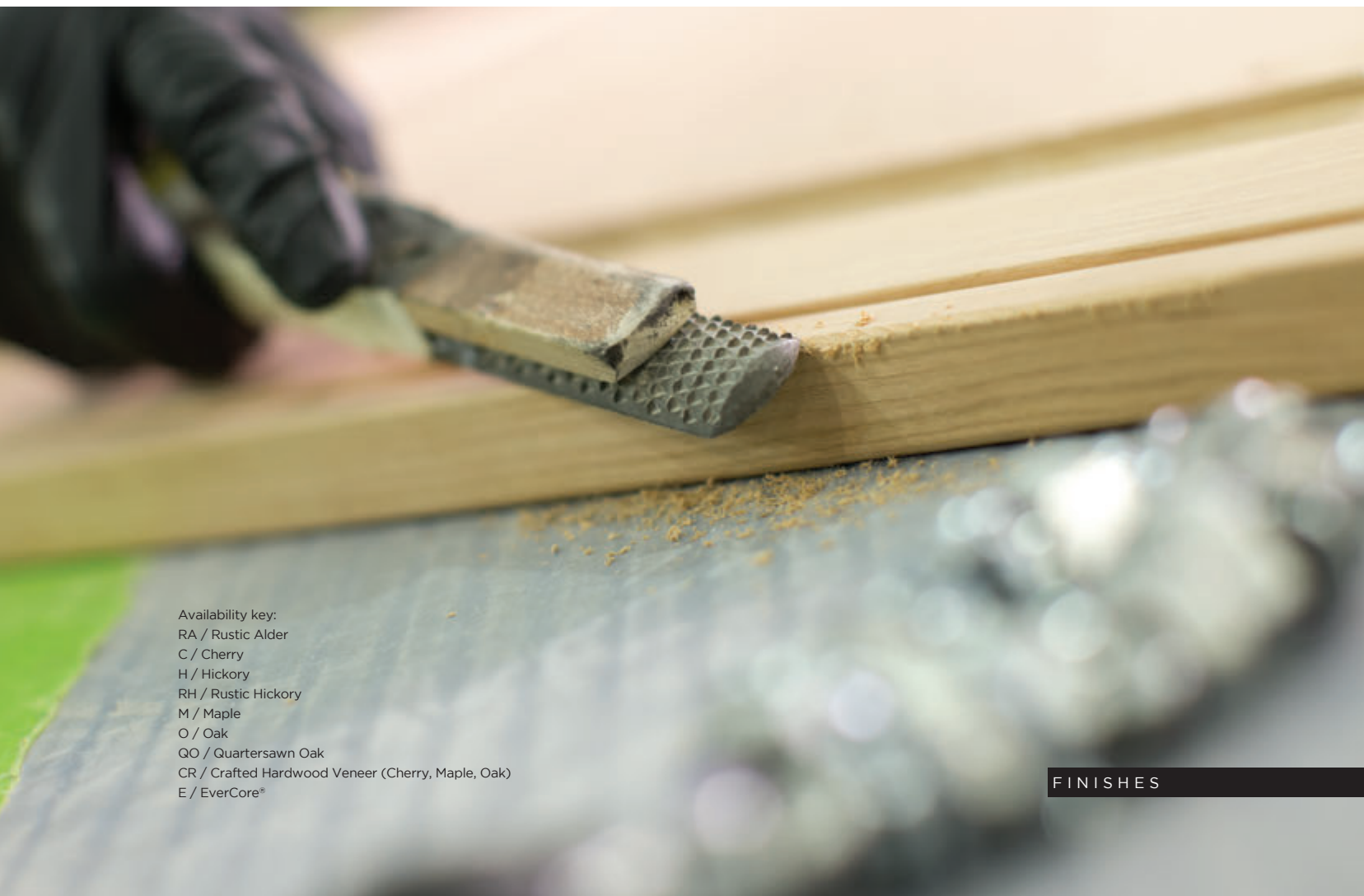
Photo Above:
Riverside Molasses Cherry / Aged Concrete Maple

All paints and stains are shown on Maple
unless marked otherwise.

* Shown on Cherry
** Shown on Oak

NEW DISTRESSED TECHNIQUE.

Distressing mimics the imperfections of reclaimed wood by adding wormholes, softened corners, rasped edges, and other deliberate methods of loosening the sense of uniformity; all done by hand. A suede topcoat is standard.



Availability key:
RA / Rustic Alder
C / Cherry
H / Hickory
RH / Rustic Hickory
M / Maple
O / Oak
QO / Quartersawn Oak
CR / Crafted Hardwood Veneer (Cherry, Maple, Oak)
E / EverCore®

FINISHES



DISTRESSED
FAWN**
O/QO



DISTRESSED
PRALINE
RA/C/H/RH/M/O/QO



DISTRESSED
GINGER
RA/C/H/RH/M/O/QO



DISTRESSED
CINNAMON
RA/C/M



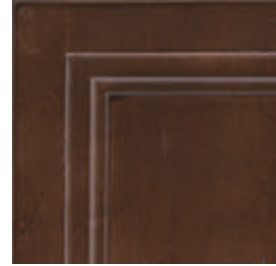
DISTRESSED
SUNSET*
RA/C/H/RH



DISTRESSED
HUSK*
C/H/RH/M/O/QO



DISTRESSED
BALTIC*
RA/C/O/QO



DISTRESSED
SADDLE
RA/C/H/RH/M/O/QO



DISTRESSED
COGNAC
RA/C/H/RH/M/O/QO



DISTRESSED
CHESTNUT
M



DISTRESSED
CHOCOLATE
RA/C/M



DISTRESSED
CANNON GREY**
RA/C/O/QO



DISTRESSED
AUTUMN BLUSH*
RA/C/O/QO



DISTRESSED
KAFFÉ
RA/C/H/RH/M/O/QO



DISTRESSED
SLATE
C/H/RH/M/O/QO



DISTRESSED
PEPPERCORN
RA/C/M/O/QO



DISTRESSED
MOLASSES
RA/C/H/RH/M/O/QO

All paints and stains are shown on
Maple unless marked otherwise.

* Shown on Cherry
** Shown on Oak



DOOR STYLES

OPEN FRESH DOOR STYLES.

From understated to rich in detail, The Masterpiece® Collection offers door styles that complement—and complete—your best designs. With more than 25 new door styles, this line gives you an array of new details to explore. So you can design both modern and classic spaces beautifully.

Photo:
Epic Midnight Maple / Pebble Grey Maple

Door style availability key:
RA / Rustic Alder
C / Cherry
H / Hickory
RH / Rustic Hickory
M / Maple
O / Oak
QO / Quartersawn Oak
CR / Crafted Hardwood Veneer (Cherry, Maple, Oak)
E / EverCore®





ATTICUS*
H/M/O



BRISTOW
CR



BURTON*
C/H/M/O/E



CAPARO
C/M



COLESON
C/M



FALLON
C/M/O

* Shown with optional drawer front

** Available in Full-Overlay, Half-Overlay, Square, and Arch



GANON**
RA/C/H/M/O/E



HURLEY
C/M



JADE
C/M



JARVIS
C/M



JENNINGS
C/M



KNOXVILLE
C/M/E



LEVAN
C/M



RATHBUN
C/M



RIVERSIDE
C/M



ROCKWELL*
C/M



SAWYER
C/M



SYLVAN
RA/C/H/M/O/E

* Shown with optional drawer front



TURNER*
RA/C/M/QO



VEGA
C/M



MORE OPTIONS WITH STYLES YOU LOVE.

Expanded wood type options for Fox Court, Martel, and Montresano.



DOOR STYLES



CIMMARON*
RA/C/RH/M/O



FOX COURT
C/H/M/O

Available in Full-Overlay, Half-Overlay, Square, and Arch.



MARTEL
RA/C/H/M/O/E

Available in Full-Overlay and Half-Overlay.



MONTRESANO*
RA/QO/E

Photo:
Fox Court Baltic Cherry / Linen Maple

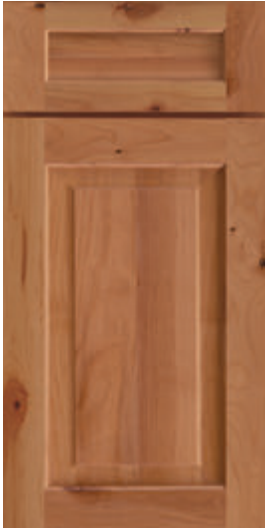
Door style availability key:
RA / Rustic Alder
C / Cherry
H / Hickory
RH / Rustic Hickory
M / Maple
O / Oak
QO / Quartersawn Oak
CR / Crafted Hardwood Veneer (Cherry, Maple, Oak)
E / EverCore®

* Shown with optional drawer front

NEW RUSTIC ALDER WOOD TYPE.

Commonly used for a rugged look with knotholes, burls, and mineral streaks, our new Rustic Alder gives you room to create. Try it with a darker finish or with our new suede topcoat for a modern industrial look.





CIMMARON*



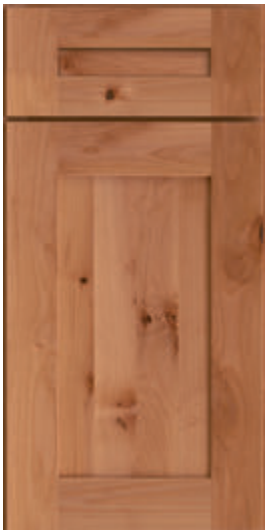
FAIRLANE*



GANON*



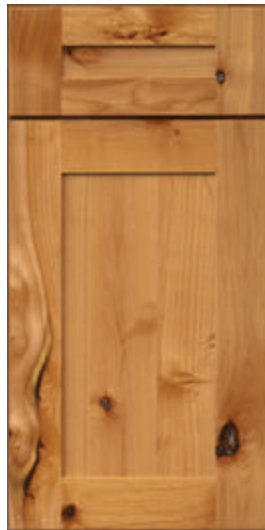
MARTEL*



MONTRESANO*



TOWNLEY*



TURNER*



SYLVAN

Photo Left:
Montresano Husk Rustic Alder / Vintage Onyx Cherry

Door Styles Above:
Shown in Rustic Alder.
* Shown with optional drawer front

CRAFTED HARDWOOD VENEER.

This new veneer is designed for a more consistent color and grain pattern on every door. It's engineered to give the look of Quartersawn Maple, Oak, or Cherry and is less susceptible to the expanding and contracting that comes with solid wood.



BRISTOW
CR

Photo Right:
Bristow Cannon Grey Crafted Hardwood Veneer



NEW EVERCORE[®] DOORS AND DRAWERS.

Want an especially smooth painted finish, with no cracks or shifts in the center panel? Extra-solid EverCore[®] doors and drawer fronts—made by super-compressing wood fibers—have no grain, and react less to temperature and humidity compared to regular wood.





BURTON*



EPIC



FAIRLANE*



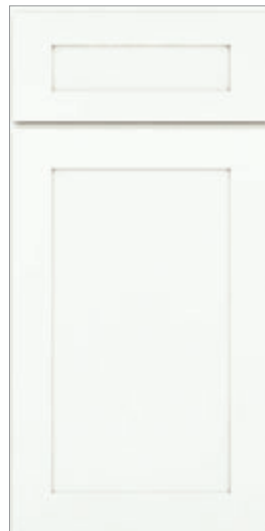
GANON*



GANON*



KNOXVILLE



MARTEL*



MONTRESANO*



SYLVAN



TOWNLEY*

Photo Left:
Martel Dove White EverCore® / Greyloft EverCore®

Townley is only available in Half-Overlay
Ganon is available in Full-Overlay and Half-Overlay.
* Shown with optional drawer front

NEW WOOD- GRAIN FOIL.

With the look of abstract grain, wood grain foils give your space a low-maintenance alternative to wood with a modern twist. Carlin, Hincley, and Ladon are available in Dove White and Cannon Grey finishes.



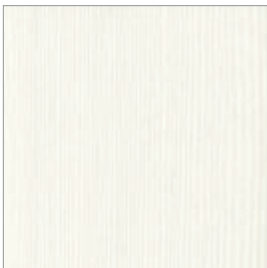
CARLIN



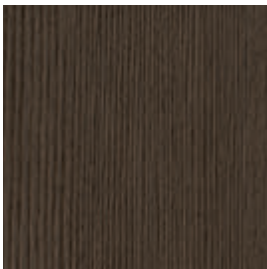
HINCLEY



LADON



DOVE WHITE



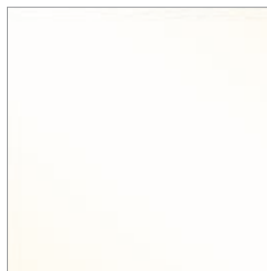
CANNON GREY

NEW HIGH- GLOSS FOIL.

High-gloss foils achieve a high-design look in contemporary spaces. This option is available in a clean white to complement and enhance modern kitchens and bathrooms.



MAXUM



DOVE WHITE

Photo Right:
Maxum Dove White High-Gloss Foil

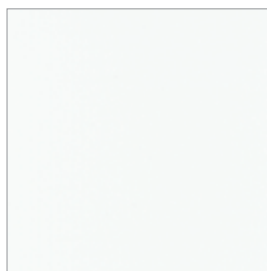


NEW IN THERMOFOIL.

A uniform, consistent, durable, and easy-to-clean finish. Great for laundry rooms, mudrooms, bathrooms, or other working spaces.



SALINE



WHITE

Photo Right:
Saline White Thermofoil



SIMPLIFY WITH SMART STORAGE.

With a place for everything, this collection gives you the flexibility to choose storage solutions that range from hidden-away, to ultra-functional, to statement-piece.



12" BOTTOM MOUNT WASTEBASKET

- Compact option for pull-out trash can
- Removable basket is easy to empty and clean
- Holds a single wastebasket with an optional drawer partition to control odor
- Includes compartment for garbage bags and cleaning supplies

Available in all full overlay door styles.



SINK BASE WASTEBASKET

- Keeps trash out of sight without giving up valuable cabinet space
- Reach the garbage can from the convenience of your sink
- Second basket for easy recycling
- Sink must have a single bowl and an offset drain
- Auto-Open is not available on sink base wastebaskets

Available in 30", 33", and 36" widths. Single wastebasket in 30" and 33"; double wastebasket in 36".

WASTEBASKET DRAWER PARTITION

- Separates space between wastebasket and top drawer to control odor

Available on all wastebasket options that have a top drawer.



AUTO-OPEN WASTEBASKET

- Automatically opens when gently bumped
- Softly closes with just a touch

Available in single wastebasket (15" option) or double wastebasket (18" option).

SINK BASE WITH ROLL-OUT TRAYS

- Allows storage in the back of the cabinet while avoiding reaching around the garbage disposal
- Cabinets come in two options to account for plumbing needs
- Full-extension and Soft-Close functionality come standard

Available in 36", 39", and 42" widths. Not available in CoreGuard®.



SINK BASE DRAWER CABINET

- Allows storage in the back of the cabinet while avoiding reaching around the garbage disposal
- Cabinets come in two options to account for plumbing needs
- Allows for continuation of a drawer run on a sink wall
- Full-extension and Soft-Close functionality come standard

Available in 36", 39", and 42" widths. Not available in CoreGuard®.

BASE CLEANING STORAGE CABINET

- Keeps cleaning supplies out of sight but not out of reach
- Fits next to the sink or wherever is most convenient
- Built-in roll gets paper towels off the counter
- Unit slides on full-extension soft-close runners with optional Auto-Open feature

Available in 9" and 12" widths.



SINK BASE PLASTIC BAG STORAGE

- Keeps trash bags within reach under the sink

Available in 30", 33", and 36". A retrofit kit is available for existing cabinetry.



UTILITY CLEANING CABINET

- Taller bottom opening easily accommodates items like brooms and mops
- Stores cleaning supplies right in the kitchen where messes happen
- Add a plug to house and operate the vacuum in one central location

Note: Pedestal drawer beneath cabinet not included.

SINGLE DOOR CABINETS

- Broom hooks are supplied on the end panel, opposite the hinged side.

DOUBLE DOOR CABINETS

- The left side of cabinet stores a broom while the right side of cabinet features shelves. Broom hooks are supplied on the center divider, and the shelves ship with the cabinet.

Available in 15" to 36" widths and 84" to 96" heights.

BASE STEP STOOL CABINET

- Provides a boost to the top shelves
- Fills a narrow gap in a run of cabinets
- Durable metal step stool (included) fits perfectly in 6"-wide cabinet
- 250 lb. weight limit

Available in full overlay door styles only.



6" BASE CABINET

NEW product

- Our 6" base cabinet improves flexibility when planning around small spaces
- Available with 1 1/2" frame stiles in both full overlay and half overlay door styles or 15/16" frame stiles in full overlay door styles only.

9" BASE SINGLE DOOR CABINET

- Convenient alternative to a 9" full-height cabinet
- Just enough space for small utensils



STORAGE

12" WIDE BASE PANTRY PULL-OUT

- Two compartments for knives of any size
- One compartment for loose utensils



BASE UTENSIL PULL-OUT

- Keeps utensils off the counter, but easily accessible
- Cups keep items visible
- Similar to Base Pantry Pull-Out, but without knife block

Available in 2 widths: 9" with 3 cups and 12" with 4 cups.

BASE TRAY PULL-OUT

- Keeps trays and pans easily-accessible



DEEP DRAWER & ROLL-OUT TRAY ORGANIZERS

- Streamline bulk goods in organizer compartments with optional set of OXO canisters
- Stash kitchen gadgets, baby bottles, or anything else that might otherwise get mixed up in a drawer or roll-out tray
- Inserts can be added or removed at any time

DEEP DRAWER ORGANIZER

Divides deep drawers into uniform compartments.



DEEP DRAWER ORGANIZER WITH CANISTER STORAGE

Comes with 3 to 12 airtight OXO containers in 0.9- to 2.3-liter sizes.

DEEP DRAWER ORGANIZER WITH TALL CANISTER STORAGE

Comes with 3 to 12 airtight OXO containers in 1.4- to 3.8-liter sizes.

ROLL-OUT TRAY ORGANIZER WITH CANISTER STORAGE

Comes with 3 to 12 airtight OXO containers in 0.9- to 2.3-liter sizes.

Available for 12"- to 30"-wide roll-out trays and deep drawers.

Not shown.

ROLL-OUT TRAY ORGANIZER

Divides roll-out trays into uniform compartments.

ROLL-OUT TRAY ORGANIZER WITH TALL CANISTER STORAGE

Comes with 3 to 12 airtight OXO containers in 1.4- to 3.8-liter sizes.



MULTI-SIZED DEEP DRAWER ORGANIZERS

- Holds containers and keeps track of lids
- Sorts snacks without the risk of smashing
- Comes with or without set of microwave- and dishwasher-safe Rubbermaid® containers
- Removable organizer inserts can be added to any Masterpiece® Collection kitchen at any time



MULTI-SIZED DEEP DRAWER ORGANIZER

Divides deep drawers into convenient compartments of varying sizes.

MULTI-SIZED DEEP DRAWER ORGANIZER WITH FOOD STORAGE

Rubbermaid® set includes four 1/2"-cup containers, five 1 1/4"-cup containers, four 2-cup containers, one 3-cup container, two 5-cup containers and one 7-cup container, all with lids.

Available for 18"- and 21"-wide deep drawers.

Not shown.

OVEN CABINET COMBINATION WITH BOTTOM DRAWER

- Deep drawer can hold blenders, juicers, and other small appliances
- Oven cabinet combination is now available with a standard drawer as an alternative to the warming drawer option

Available in 27", 30", 31 1/2", and 33" widths.

SPICE CADDY

- Organizes spices, craft supplies, baking staples, grilling necessities, and more
- 7"-tall caddy fits perfectly in 7"- and 11"-deep drawers
- Comes in a natural finish and fits most standard spice bottles
- A set of 18 clear glass matching spice bottles is available



K-CUP® POD INSERT

- Removable drawer insert comes with area to organize sugars, stirrers, etc.
- Also available in wall cabinet insert

CHARGING DRAWER

- Accommodates most phones and tablets
- Keeps clutter off countertops
- Keeps charging items readily accessible
- Convenient for areas where phones gather, like offices and entryways

Available in 18", 21", and 24" widths.



NON-SLIP DRAWER LINER

- Made-to-fit, non-slip, nearly-invisible liners keep everything in its place
- Apply to drawers, shelves, and roll-out trays
- Removable for easy cleaning



BASE CORNER DRAWER CABINETS

- A corner solution that creates more usable space
- Turns corner space into a usable drawer
- Provides an alternative to a Lazy Susan

BASE CORNER SMART SPACE CABINETS

- Works with Base Corner Drawer Cabinet, but can also be used alone
- Creates usable space out of a normally wasted area



WALL WINE STORAGE

- Turn any wine collection into a beautiful wall display while increasing functional storage
- A custom look without a custom-built cabinet
- Available in an ascending or descending angled configuration
- Now available as a single SKU

Available in 18" and 24" widths only.



BASE WINE STORAGE

- Add a stylish display in an easy-to-reach lower cabinet
- Give any bar or island a custom look without having to configure a custom solution
- Available in an offset diagonal configuration

Available in 15", 18", and 21" widths. This cabinet configuration is also available for Wall Cabinets in the same widths.

SEAMLESS STYLE.

Our suite of chrome accessories means sophisticated style can extend to every corner of your hardworking kitchen design.



WALL ANGLE CHROME LAZY SUZAN

- Similar to a Lazy Susan but pole sits on outside edge of the shelves
- Leaves more usable space for larger items
- Chrome detailing for a sleek look



EASY REACH CHROME SUPER SUSAN

- A corner solution to maximize space while maintaining a modern aesthetic
- Stores large items without a center post getting in the way
- Matches other Masterpiece® Collection chrome accents for a unified, modern look

Available in 33" and 36" widths.

BASE BLIND CORNER WITH CHROME SWING-OUT

- Makes hard-to-reach items under corner cabinets readily accessible
- Available in uniform chrome finish



CHROME DELUXE ROLL-OUT TRAY

- Brings pantry items in the back within reach
- Accents tie into other chrome details



AN EASY-OPEN KITCHEN.

Give your homeowners easy access to difficult-to-reach storage spaces. Now you can design clever ways to open cabinets even with messy hands with just a touch.



Push-button access.

AUTO-OPEN WASTEBASKET

- Automatically opens when gently bumped
- Softly closes with just a touch

Available in single wastebasket (15" option) or double wastebasket (18" option).



AUTO-OPEN CABINETS

- Open cabinet with a gentle nudge to get into hard-to-reach spaces
- Softly closes with just a touch

OPEN INCREDIBLE FLEXIBILITY.

With The Masterpiece® Collection, it's never been easier to solve design challenges with height, width, and depth modifications to 1/16 of an inch. It's so flexible, you could call it custom.

For a complete list of cabinetry modification and color options, refer to The Masterpiece® Collection spec book.



INTEGRATED UTILITY CLEANING STORAGE & UTILITY EXTENDED BOTTOM CABINET

- This pair of cabinets offers tall, narrow space at the end of a cabinet run for items like mops, brooms, and leashes
- Utility Extended Bottom Cabinet comes as an individual SKU or combined with Integrated Utility Cleaning Storage, which cannot be ordered separately
- The side door of the Integrated Utility Cleaning Storage lines up with the front door of the Utility Extended Bottom Cabinet and creates a seamless look while providing additional tall storage

Integrated Utility Cleaning Cabinet is 6" deep.
Utility Extended Bottom Cabinet is available in 84" to 96" heights and 18" to 36" widths.



INTEGRATED MESSAGE CENTER

- Keeps busy families organized
- Comes with cork board and space for mail, notes, and more

Available in tall, wall, and base configurations.

INTEGRATED OPEN STORAGE

- Transform the end of a cabinet run into decorative, functional storage
- 6"-deep shelves can be added to base or wall cabinets at the end of a run
- Interior is finished to match cabinet exteriors for a unified look

Available on 18"- to 36"-wide cabinets.



INTEGRATED BASE SPICE STORAGE

- Perfect for small, frequently used items
- 6"-deep shelves have an operational end door
- Add easy-to-access storage to base or wall cabinets at the end of a run

Available on 18"- to 36"-wide cabinets.

OPERATIONAL END DOORS

- Get quick access to less frequently used items
- Provides a functioning and decorative end
- Option for wall, base, and tall pantry cabinet side panels and vanity cabinets



DETAIL-DRIVEN DESIGN.

From functional details to the pieces that tie the room together, these aspects make the difference between a kitchen and the kitchen of your customers' dreams. Our molding, shelves, and ends put the finishing touch on a complete home design.



EMPIRE MOLDING COLLECTION

- Simple transitional style pairs well with Shaker-style doors
- Adds detail to a kitchen design
- Collection includes starter, crown molding, light rail, and legs

WALL HOOD RECESSED PANEL

- Single SKU wall hood with built-in corbel detail and optional top molding
- Pairs well with professional ranges
- Creates a focal point to give any room a custom look
- Removable front panel coordinates with selected door style and provides easy access for installation and vent service

Not available in mitered, Quartersawn, Rustic, EverCore® panels, slab, or foil door styles. Available in 36", 42", 48", and 54" widths.



WALL HOOD CABINET RUN

- Single SKU wall hood fits seamlessly into a cabinet run and works with a variety of door styles
- Ideal for homeowners with large ranges
- Cabinets or panel can be stacked above hood in kitchens with tall ceilings
- Three corbel options (Sterling, Transitional and Rosette)
- Two shelf options (Classic Crown or XL Cove Molding)
- Removable front panel provides easy access for duct installation, wiring, and vent service

Not available in mitered, Quartersawn, Rustic, EverCore® panels, slab, or foil door styles. Available in 36", 42", 48", and 54" widths.

COVE & STERLING FLOATING SHELVES

- Two new floating shelf options work well with transitional styles
- Match designs with Cove and Sterling molding throughout the kitchen
- Molding and shelf come as a single SKU for easy ordering

Available in 24 7/8" to 60 7/8" widths and 10 7/16" and 12 7/16" depths.



COVE

Not shown.

40 1/2" MATCHING BASE END PANELS

- Give cabinet runs a finished, unified look

Now available for 40 1/2" tall base cabinets.

WIDE SCRIBE MOLDING

- Our classic scribe molding, now available in a wider size
- A finishing touch for homes with wide decorative molding
- 1 1/2"-tall trim covers gaps or imperfections and completes the look of any cabinet run

COVE BASEBOARD EXTENDED

- Extended height works well in homes with thick baseboards
- 4 1/2"-tall baseboard matches toe kick height

Not available in Quartersawn wood species.

SPICE SHELF

- Floating shelf stores spices in an easily-accessible location
- Easily pairs with any style of decor
- Fits optional Masterpiece® Collection set of spice bottles or stores any standard-size spices

Available in 24", 30", 36", and 42" widths.



FLOATING SHELVES

NEW corner option and lengths available

Available in 48" and 60" lengths in the 10" deep shelf. 24", 30", 36", 42", 48", and 60" lengths in the 12" deep shelf.



BOOKCASE ISLAND END

- Two fixed shelves add decorative, functional storage to islands or peninsulas
- 12"-deep end is a single SKU for easy design and installation
- Available in full overlay door styles and limited half overlay door styles

Not available in laminate, slab doors, wood-grain foil, or Kendrick door styles. Available in 26", 38", and 50" widths.



TRANSITIONAL ISLAND END

- More substantial than a flat panel, these leg frames have a formal look with Shaker influences
- Available as a single SKU for easy design and installation
- 3"-deep end adds a decorative touch without sacrificing interior storage space

Available in 26", 38", and 50" widths.

GATEWAY ISLAND END

- Basic leg frames add simple elegance
- Available as a single SKU for easy design and installation
- 3"-deep end adds a decorative touch without sacrificing interior storage space

Available in 26", 38", and 50" widths.



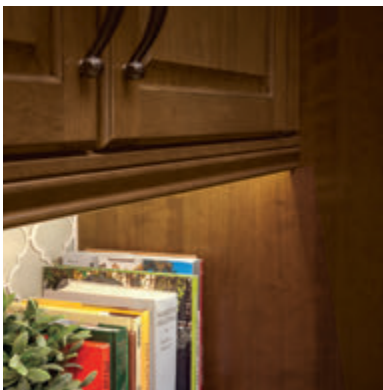
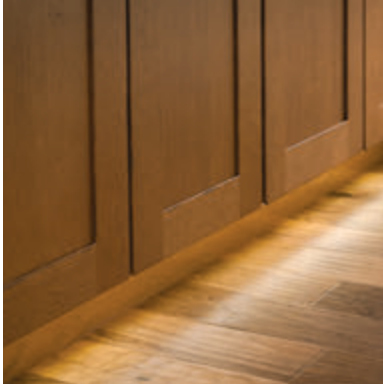
TAPERED LEG ISLAND END

- A transitional option for island ends with a single fixed shelf
- 12"-deep end is a single SKU for easy design and installation

Available in 26", 38", and 50" widths.

LED LIGHTING.

Add another dimension to your design with a soft glow from our LED lighting options. Flexible solutions brighten up the details of any kitchen.



LED PUCK LIGHTING

Can be recess- or surface-mounted and features a directional swivel, casting a warm white glow.



LED FLEXIBLE TAPE LIGHTING

Versatile under-, above- and interior-cabinet lighting option for areas with obstacles and corners.

NEW GLASS DOOR INSERTS.



EVANSVILLE
MULLION



HEWITT
MULLION



VISTA
MULLION



CLASSIC CAMED



MODERN
FROSTED



MODERN
TEXTURED GLASS



SHADOW
GLASS



CHALKBOARD

Photo Right:
Coleson Lagoon Maple with Modern Textured Glass

DESIGN



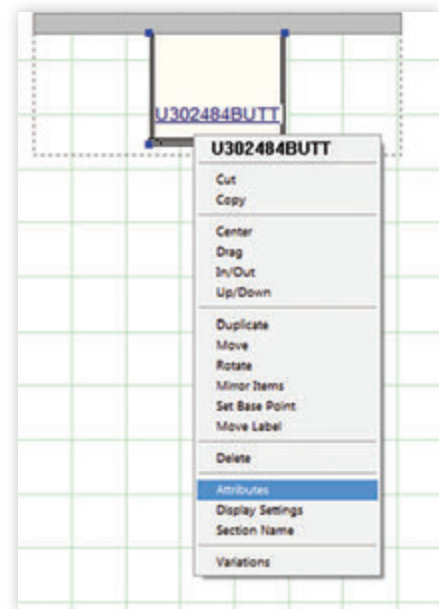
ORDERING GLASS DOOR INSERTS.

Our Glass Door Inserts are now available in even more applications, including Operational Ends, as well as the bottoms of Wall Stack and Utility Cabinets. As part of these additions, the ordering process in 2020 has changed.

TO APPLY GLASS DOOR INSERTS IN YOUR DESIGN, FOLLOW THESE STEPS:

Step 1: Right-click on the cabinet.

Step 2: Select "Attributes" (shown).

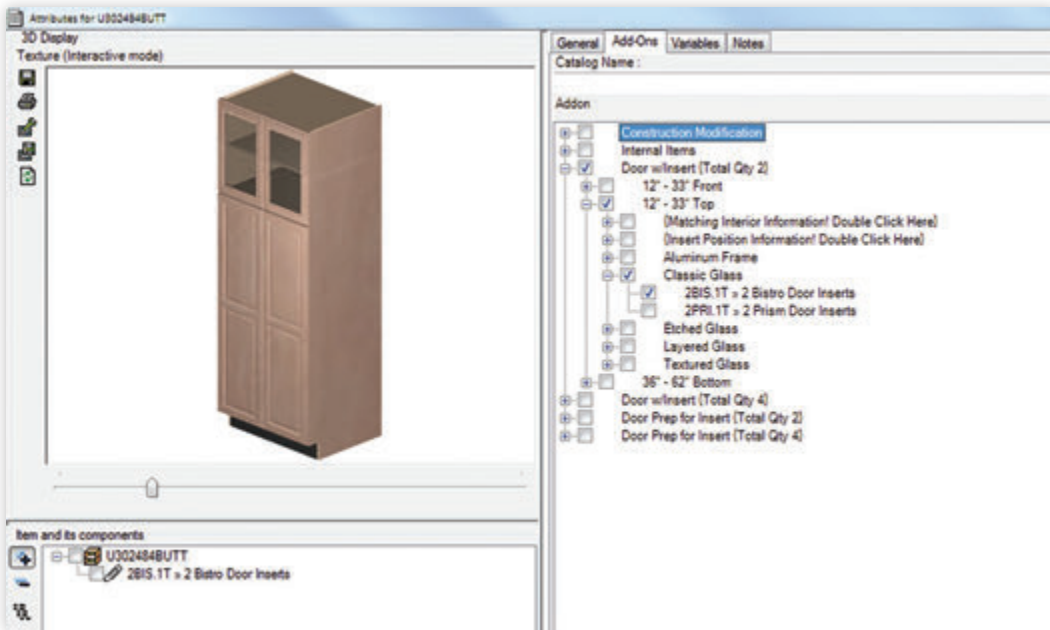


Step 3: Select "Add-Ons."

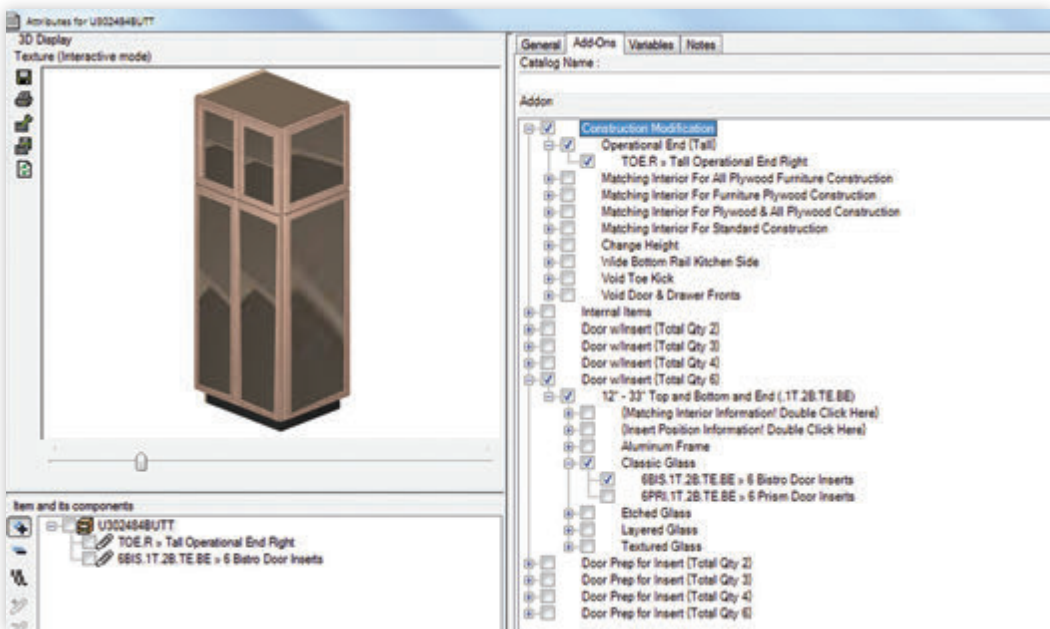
Step 4: Select the total quantity of glass doors.

Step 5: Select the glass position: "Front," "Front and End," "Top," "Top and Bottom and End" and so on.

Step 6: Finally, select your glass type: "Classic," "Etched," "Mullion" and so on (shown).



To apply Glass Door Insert Operational Ends on one or both ends, first select Operational End (shown).



Your 2020 rendering will update to show glass in the position(s) you select.

CREATING BETTER BATHS.

Building spaces that work seamlessly into routines is a core part of The Masterpiece® Collection. Our vanity details add functionality and great design to everything from getting ready for work to cleaning day.



MIRROR MOLDING

- Match molding on mirrors with rest of room
- Notched on backside and sized to accept glass or mirror

Not shown.

NEW VANITY CABINET HEIGHT

NEW 31 1/2" vanity height option

- Perfect for kids' bathrooms or replacing 31 1/2" vanity without replacing mirrors and tiling
- Easier to renovate older houses without moving electrical outlets



WALL-HANGING VANITY

- Floating vanity adds a contemporary look
- Available in three storage options: drawers, offset doors, or standard doors

CONSOLE VANITY

- Furniture-styled vanity that can be customized with five leg options
- Available with roll-out tray



COREGUARD® SINK BASE

- Now available for the bath

Available in full-height vanities - 24", 27", 30", 33", 36"

ELEVATING OUR VERY BEST.

We've taken some of our most in-demand designs and updated them to be more functional, durable, and beautiful. With intelligent new options for storage and extended sizes, these solutions naturally advance the entire room.

DELUXE ROLL-OUT TRAYS

NEW Standard Quality

- Our deluxe roll-out trays now come standard in place of our basic roll-out tray SKUs. Now all homeowners will get smoother, higher quality construction.



BASE MIXER SHELF

- Mixer shelf softly closes with just a touch
- Roll-out tray features full-extension runners with Soft-Close technology



MULTI-STORAGE PANTRY WITH ADJUSTABLE SHELVES

NEW Product Feature

- Pantry shelves are now adjustable to provide more flexible storage.

Not shown.

DEEP RANGE BASE

- Sizing options accommodate more ranges

Available in 39" and 42" widths.

108" AND 120" FILLERS AND END PANELS WITH ATTACHED STILES

- Further options to add a finishing touch

APRON FRONT SINK BASE

- 27" deep with extended stile

21" WALL ANGLE

NEW size option

- Smaller corner cabinet provides additional versatility

BASE DEEP DRAWER COMBINATION

NEW With Deluxe Roll-Out Tray

- The tray in our Base Deep Drawer Combination has been upgraded to a 3"-deep Deluxe Roll-Out Tray with Soft-Close technology for smoother operation.

Available in 18", 24", 30", and 36" widths.



SPICE DRAWER INSERT

- Keeps spices organized and easy to see

Available in 27", 30", 33", and 36" widths.

TALL CABINETS

NEW size options

- Most tall SKUs, including oven and utility cabinets, are now available in increased depths (-ID) up to 27"
- Check specific SKUs for roll-out tray options

BASE TOP MOUNT WASTEBASKET

NEW size options

- 24" wide and two 35-quart baskets



OVEN CABINETS

NEW size options

- Additional 31 1/2" width available in all current heights, including new 60" height

CABINET HEIGHTS

NEW heights

- 33" and 51" wall cabinet heights
- 87" tall cabinet height



LONGER MOLDINGS

NEW molding length

- 10' long moldings create a more seamless look in long runs

THE
M A S T E R P I E C E[®]
COLLECTION

Specifications

©2018



MERILLAT CABINETRY

THE MASTERPIECE® COLLECTION CUSTOMER CARE

FOR HOMEOWNERS

Merillat.com

Our website offers many ways to inspire organizational solutions in beautiful cabinetry options. Highlights include:

- View inspirational designs and photos.
- Download floor plan drawings from photosets to gather design ideas.
- Visualize door styles by wood species and finish.
- Use the “Features & Accessories for Your Lifestyle” to view organizational solutions by room type.
- Educate consumers about wood characteristics, installation, Merillat sustainability initiatives, and dos and don'ts of cabinetry care.

FOR DESIGNERS AND DEALERS

CabinetryInfo.com

If you're not currently registered for CabinetryInfo.com, you could be missing important product and brand information. It's quick and easy, so visit the site and register today. It will enable you to:

- Check order status.
- Download or order product literature, like the product brochure, specification, and price books, door/style finish codes, and 20-20 Design updates. (For questions on 20-20 Design, email ecatalogsupport@mascocabinetry.com.)
- Order finish samples, door backers, and literature.

MERILLAT CUSTOMER CARE RESOURCES

Electronic means are convenient, but sometimes you just need to talk to a person, and Merillat Customer Care consultants are here to help. Your consultant can help you:

- Order product.
- Follow up on orders or track delivery progress.
- Discuss product situations or address invoice questions.

Additional assistance is available through Customer Care: (800) 435-0791 or masterpiece@mascocabinetry.com

Your Merillat® Account Manager is there to help you every step of the way. Make sure to contact them whenever you have questions, concerns, or need information.

Kitchen Cabinet Manufacturers Association



WARNING: This product can expose you to chemicals including formaldehyde, which is known to the State of California to cause cancer. For more information go to www.P65Warnings.ca.gov.

WARNING: Drilling, sawing, sanding or machining wood products can expose you to wood dust, a substance known to the State of California to cause cancer. Avoid inhaling wood dust or use a dust mask or other safeguards for personal protection. For more information go to www.P65Warnings.ca.gov/wood.

Merillat Cabinetry carries the seal of the Kitchen Cabinet Manufacturers Association (KCMA) Certification Program, which assures that our cabinets meet or exceed the rigorous standards set by the American National Standards Institute (ANSI). Our cabinets are also independently tested to ANSI/KCMA A161.1-2000 and paragraph 611-1.1, "HUD Minimum Property Standards-Housing 4910.1" 9-8-86.

Merillat Cabinetry demonstrates its commitment to environmental sustainability through meeting or exceeding the requirements as outlined in the Environmental Stewardship Program certification, administered by the KCMA.

All Merillat Cabinetry facilities have also obtained ISO 14001 certificate of approval, demonstrating our commitment to reducing the impact of operations on the environment.



MERILLAT CABINETRY

Table of Contents

What's New	2-5	Furniture Cabinets	I1-I18
Index	i-viii	Bookshelves	I1-I5
Door Styles	A1-A98	Wood Tops	I6-I7
Finishes	B1-B14	Furniture Accessories	I8-I13
Construction Specifications and Options	C1-C36	Design Ideas	I14-I17
Cabinet Specifications	C1-C8	Universal Access Cabinets	J1-J10
Construction Options	C9-C36	Universal Access Cabinets	J1-J7
Wall Cabinets	D1-D70	Universal Access Accessories	J8-J9
Wall Cabinets	D1-D8	Panels-Shelving-Trays	K1-K20
Peninsula Wall Cabinets	D9-D10	Custom Appliance Panels	K1-K4
Wall Corner Cabinets	D11-D20	Decorative Appliance Panels	K5-K8
Peninsula Wall Corner Cabinets	D21-D22	Paneling	K9-K12
Wall End Run Cabinets	D23-D25	Shelving	K13-K18
Wall Open Cabinets	D26-D29	Roll-out Trays	K19-K20
Wall Microwave Cabinets	D30-D34	Decorative Doors and Inserts	L1-L28
Wall Hoods	D35-D50	Glass Door Availability Charts	L1-L3
Wall Specialty Cabinets	D51-D56	Aluminum Frame Glass	L4-L7
Wall Accessories	D57-D69	Camed Glass	L8-L10
Base Cabinets	E1-E70	Classic Glass	L11-L13
Base Cabinets	E1-E15	Etched Glass	L14-L15
Base Appliance Cabinets	E16-E21	Layered Glass	L16-L18
Base Corner Cabinets	E22-E30	Mullion Doors	L19-L23
Peninsula Base Corner Cabinets	E31-E32	Specialty Inserts	L24
Base End Run Cabinets	E33-E34	Textured Glass	L25-L27
Base Island Cabinets	E35-E38	Decorative Enhancements	M1-M52
Base Specialty Cabinets	E39-E47	LED Lighting	M1-M3
Base Accessories	E48-E69	Supports and Valances	M4-M8
Tall Cabinets	F1-F38	Molding	M9-M25
Tall Cabinets	F1-F17	Molding Accents	M26-M35
Tall Appliance Cabinets	F18-F27	Decorative Hardware	M36-M52
Tall Cabinet Accessories	F28-F37	Replacement Parts	N1-N26
Vanity Cabinets	G1-G76	Hardware	N1-N8
Vanity Cabinets	G1-G40	Touch-Up	N9-N15
Vanity Collections	G41-G57	Door & Drawer Front-Sizes	N16-N26
Vanity Accessories	G58-G75	Nomenclature Index	O1-O6
Office Cabinets	H1-H14		
Office Cabinets	H1-H7		
Office Accessories	H8-H14		

What's New inside your 2018 Merillat Masterpiece® Spec Book

New Product	New Product	New Product
Door Styles	Finishes cont.	Construction Options
EverCore™ species	Distressed Slate	Attached Decorative Ends
Specie expansions on existing door styles	Distressed Sunset	Change Height modifications
Atticus	Dove White High-Gloss	Change Stile dimension
Bristow Crafted	Dove White Suede	Change Top Rail dimension
Burton	Dove White w/Cinder Glaze Suede	Change Width modifications
Caparo	Dove White w/Cocoa Glaze Suede	Contrasting Beaded Back Options
Carlin	Dove White Wood-Grain	Contrasting Plain Back Options
Cimmaron	Fawn Suede	Cut-out Bottom, Center, Single & Top options
Coleson	Ginger	Dash Option for Replacement Doors
Fallon	Ginger Suede	Integrated Base Spice Shelf
Ganon	Ginger w/Sable Glaze	Integrated Message Center
Hinckley	Ginger w/Sable Glaze Suede	Integrated Utility Cleaning Storage
Hurley	Greyloft Suede	Integrated Wall Spice Shelves
Jade	Greyloft w/Sable Glaze Suede	Operational Ends
Jarvis	Honey Spice	Toe Kick Drawer
Jennings	Honey Spice Suede	Wastebasket Drawer Partition
Knoxville	Husk	Cabinets and Accessories
Ladon	Husk Suede	135° Base Inside Angle Corner Cabinet
Levan	Kaffé	135° Base Outside Angle Corner Cabinet
Maxum	Kaffé Suede	135° Wall Inside Angle Corner Cabinet
Rathbun	Lagoon	135° Wall Outside Angle Corner Cabinet
Riverside	Lagoon Suede	8' Power Cable
Rockwell	Linen	8' Power Extension Cable
Saline	Linen Suede	Alder Spice Drawer Knob (supplied in Cherry)
Sawyer	Linen w/Cinder Glaze	Angle Crown Molding - Face-Mount 10'
Sylvan	Linen w/Cinder Glaze Suede	Angle Crown Molding 10'
Turner	Linen w/Cocoa Glaze	Antiquity glass insert
Vega	Linen w/Cocoa Glaze Suede	Apron Sink Base
Finishes & touch up	Linen w/Cocoa Glaze Suede	Apron Sink Base 27" Deep
Aged Concrete	Linen w/Cocoa Glaze Suede	Apron Sink Base Extended
Aged Papyrus	Midnight Suede	Apron Sink Base Extended - 27" Deep
Aged River Rock	Midnight w/Onyx Glaze Suede	Asymmetrical Easy Reach w/ Chrome Super Susan
Autumn Blush	Molasses	Asymmetrical Wall Easy Reach - 33" high
Autumn Blush Suede	Molasses Suede	Base - Offset Diagonal Wine Storage Cabinet
Autumn Blush w/Onyx Glaze	Moonshine	Base 9 W/out Tray Divider
Autumn Blush w/Onyx Glaze Suede	Moonshine Suede	Base Blind Corner
Baltic	Moonshine w/Cinder Glaze Suede	Base Blind Corner w/ Chrome Swing Out
Baltic Suede	Moonshine w/Cocoa Glaze Suede	Base Bottom Mount Wastebasket-Single
Bonsai	Natural	Base Cabinet - 9" w/ Single Drawer
Bonsai Suede	Natural Suede	Base Cleaning Storage Cabinet
Burmese	Onyx Suede	Base Cleaning Storage Cabinet w/ Auto-Open
Burmese Suede	Pebble Grey Suede	Base Corner - Smart Space Cabinet - Smart Space Left
Cannon Grey	Pebble Grey w/Cocoa Glaze Suede	Base Corner - Smart Space Cabinet - Smart Space Right
Cannon Grey Suede	Peppercorn	Base Corner Drawer Cabinet
Cannon Grey Wood-Grain	Peppercorn Suede	Base Deep Drawer Combination - Top & Bottom Tray
Canvas Suede	Praline	Base Four Drawer
Canvas w/Cinder Glaze Suede	Praline Suede	Base Full Height Single Door - Full Overlay
Canvas w/Cocoa Glaze Suede	Praline w/Onyx Glaze Suede	Base Microwave Cabinet w/Deep Bottom Drawer-Extended Opening
Chestnut Suede	Saddle	Base Microwave Cabinet - Extended Opening
Chestnut w/Onyx Glaze Suede	Saddle Suede	Base Microwave Cabinet w/ Drawers - Extended Opening
Chocolate	Slate Suede	Base Microwave Drawer
Chocolate Suede	Sunset	Base Oven Cabinet Universal
Chocolate w/Ebony Glaze	Sunset Suede	Base Pantry Pullout Utensil Storage
Chocolate w/Ebony Glaze Suede	Surfside	Base Pots and Pans Storage Two Drawer
Cinnamon	Surfside Suede	Base Single Door
Cinnamon Suede	Unfinished	Base Step Stool Cabinet
Cinnamon w/Onyx Glaze	Vintage Canvas Suede	Base Three Drawer
Cognac	Vintage Dove White Suede	Base Top Mount Wastebasket - Sidemount Soft-Close
Cognac Suede	Vintage Greyloft Suede	Base Top Mount Wastebasket FH - Sidemount Soft-Close
Distressed Autumn Blush	Vintage Linen	Base Tray Pull-Out
Distressed Baltic	Vintage Linen Suede	Base Utensil Pull-out
Distressed Cannon Grey	Vintage Midnight Suede	Base Wood Bottom Mount Wastebasket- Double
Distressed Chestnut	Vintage Moonshine	Base Wood Bottom Mount Wastebasket- Dbl. w/Auto-open
Distressed Chocolate	Vintage Moonshine Suede	Base Wood Bottom Mount Wastebasket- Single
Distressed Cinnamon	Vintage Onyx Suede	
Distressed Cognac	Vintage Pebble Grey Suede	
Distressed Fawn		
Distressed Ginger		
Distressed Husk		
Distressed Kaffé		
Distressed Molasses		
Distressed Peppercorn		
Distressed Praline		
Distressed Saddle		

What's New inside your 2018 Merillat Masterpiece® Spec Book cont.

New Product	New Product	New Product
Base Wood Bottom Mount Wastebasket-Single w/Auto-open	Floating Shelf Corner	Oven Cabinet - Single
Base Top Mount Wastebasket - Dbl. w/Sidemount Soft-Close	Floating Shelf Cove Molding	Oven Cabinet - Single - Two Bottom Drawers
Beaded Mirror Molding	Floating Shelf Sterling Molding	Oven Cabinet - Single Oven/Microwave Combo w/3" Stiles
Bistro glass inserts	Fluted Filler Extension 33" high	Oven Cabinet - Single Oven / Micro. Combo w/3" Stiles - Deep Drawer
Chalk Board Insert	Food Storage Container Insert	Oven Cabinet - Single Oven/Micro. Combination - Bottom Drawer
Charging Drawer, drawer box, insert & Outlet	Fresco glass insert	Oven Cabinet - Single w/ 3" Stiles - 2 Bottom Drawers
Chrome Deluxe Roll-out Tray	Furniture Book Shelf - 87" & 93" high	Oven Cabinet 87" high
Chrome Lazy Susan Kit - For Wall Angle Cabinets	Furniture Matching Base End Panel - 40 1/2" high	Oven Cabinet Combination w/ Bottom Drawer
Classic Crown Molding 10'	Furniture Matching Tall End Panel 87" high	Oven Trim Kit
Classic Crown Molding w/ Molding Mounting Strip 10'	Furniture Matching Vanity End Panel	Overlay Panel Wall Blind 33" high
Classic glass inserts	Furniture Matching Wall End Panel 33" high	Palladia Mullion door
Connector Kit for Custom Wire Length	Hewitt Mullion door	Pantry Storage 87" high
Console Vanity Deluxe Roll-Out Tray	Inside Corner Angle Filler 33" high	Peninsula Furniture Matching Wall End Panel 33
Console Vanity-Classic Leg	Inside Corner Angle Filler Overlay 33" high	Peninsula Matching Wall End Panel 33
Console Vanity-Plain Square Post	Island End - Bookcase	Peninsula Wall 33" high
Console Vanity-Roman Spindle	Island End - Gateway	Peninsula Wall Angle 33" high
Console Vanity-Sterling Leg	Island End - Tapered Leg	Peninsula Wall Blind Corner 33" high
Console Vanity-Tapered Leg	Island End - Transitional	Peninsula Wall Easy Reach 33" high
Contemporary Mirror Molding	Jericho Knob & Pull	Plain Capital Sterling Base Column
CoreGuard Sink Base	K-Cup® Drawer Organizer Kit (Field Installed Kit)	Plain Capital Sterling Vanity Column
CoreGuard Vanity	K-Cup® Shelf Kit (Field Installed)	Plain Capital Tall Fluted Column 87" high
Cove Base Board Extended	Large Cove Molding 10'	Plain Capital Tall Fluted Filler 87" high
Cove Mirror Molding	Large Cove Molding w/ Molding Mounting Strip 10'	Plain Capital Wall Fluted Column 33" high
Crown Molding 10'	Large Crown Molding 10'	Plain Capital Wall Fluted Filler 33" high
Crown Molding w/Molding Mounting Strip 10'	Large Crown Molding w/ Molding Mounting Strip 10'	Prism glass inserts
Custom Filler Overlay	Large Empire Crown Molding	Raleigh Mullion doors
DayBreak Dimmable Driver - 12 port connector block	Large Starter Molding 10'	Ravenna glass inserts
DayBreak Dimmable Driver - LED Power Supply	Lattice Wall	Refrigerator End Panel 87" high
Dec Accent End Panels (S1-S4)	Lazy Susan Kit	Refrigerator End Panel w/ Stile
Decorative Leg	LED Flexible Strip Splash Proof Tape Light	Refrigerator Tall Cabinet 87" high
Decorative Panel - Door Only Panel and Hinge Doors	LED Flexible Strip Tape Light	Replacement Shelves
Deep Drawer Container Storage - Field Install Kit	LED Puck Light	Replacement Wastebasket
Deep Range Base	Low Voltage LED Wall Dimmer Switch	Replacement Wastebasket Kit
Deep Refrigerator End Panel - 87" high	Matching Base End Panel - 40 1/2" high	Roll-out Container Divider Kit
Deep Refrigerator End Panel w/ Stile	Matching Base End Panel - Mitered - 40 1/2" high	Rosette Corbel
Deep Sink Base	Matching Base End Panel - Square Edges - 40 1/2" high	Rosette Fluted Column 87" high
Deep Sink Base - 27" Deep	Matching Tall End Panel 87" high	Rosette Tall Fluted Filler 87" high
Deep Sink Base Extended	Matching Vanity End Panel	Rosette Tall Fluted Overlay 87" high
Deep Vinyl Tall End Panel 87" high	Matching Vanity End Panel- Mitered	Rosette Wall Fluted Column 33" high
Deep Wood Tall End Panel 87" high	Matching Vanity End Panel- Square Edges	Rosette Wall Fluted Filler 33" high
Deluxe Roll-out Container Storage	Matching Wall End Panel 33" high	Satina glass inserts
Deluxe Roll-out Tray Kit	Message Center - Base	Shadow Insert
Desk Wastebasket w/ Soft-Close runners	Message Center - Utility	Shelf Kits
Dolace glass inserts	Message Center - Wall	Showcase Mullion doors
Doors Prepared for Inserts	Message Center - Wall - Filler Overlay	Silk glass inserts
Drawer Container Kit	Microwave Cooking Center - Extended Opening	Sink Base Blind Corner
Easy Reach w/ Chrome Super Susan	Microwave Cooking Center Drawer Storage - Extend. Opening	Sink Base Drawer
Empire Corbel	Microwave Cooking Center w/Drawer Storage	Sink Base Plastic Bag Door Storage Kit & Unit
Empire Crown Molding	Mirage glass inserts	Sink Base Shallow Deluxe Rollout Tray
Empire Leg	Mitered Matching Tall End Panel 87" high	Sink Base w/ Rollout Trays
Empire Light Rail	Mode Knob & Pull	Sink Base Wastebaskets
Empire Starter Molding	Modern Frosted glass insert	Small Cove Molding 10'
End-to-End Connector	Motion Sensor On/off Switch w/12 port connector block	Small Cove Molding w/ Molding Mounting Strip 10'
Evansville Mullion doors	Mounting Strip 10'	Smithwick Knob & Pull
Extra Large Angle Crown Molding	Multi Storage Pantry 87" high	Soffit Crown Molding 10'
Extra Large Angle Crown Molding - Face Mount	Non-slip drawer liner	Solid Wood Wall End Open Shelf 33" high
Extra Large Cove Molding 10'	Non-slip drawer liner roll - Field Trim	Spice Bottle Kit Part - Shipped Separately
Extra Large Cove Molding w/Molding Mounting Strip 10'	Oven Cabinet - Combination	Spice Caddy w/ & w/out Spice Bottles
Extra Large Federal Molding	Oven Cabinet - Double	Spice Drawer Insert & Kit
Filler Extension 33" high	Oven Cabinet - Double - Deep Drawer	Spice Open Storage
Floating Shelf	Oven Cabinet - Double Extended Opening	Spice Open Storage - Shelf Only
Floating Shelf - Cove	Oven Cabinet - Double Extended w/ 3" Stiles	Starter Molding 10'
Floating Shelf - Sterling	Oven Cabinet - Double w/ 3" Stiles - Deep Drawer	Sterling Base Column

New Product	New Product	New Product
Sterling Corbel	Wall Angle Stack w/Chrome Lazy Susan	Wood Skin 87" high
Sterling Mirror Molding	Wall Angle Stacks	Wood Tall Door Storage Kit
Sterling Tall Column	Wall Angle Tambour w/Chrome Lazy Susan	Wood Tall End Panel 87" high
Sterling Vanity Column	Wall Angle w/Chrome Lazy Susan	Wood Tiered Drawer Storage & Kit
Sterling Wall Column	Wall Blind Corner 33" high	Wood Tiered Drawer Storage Combination & Kit
Stranded Copper Wire - 25 Ft.	Wall Blind Corner Stacks	Wood Veneer Paneling
Tall Column 87" high	Wall Column 33" high	
Tall Corner Angle 87" high	Wall Compact Microwave Shelf	
Tall Corner Angle Stacks	Wall Compact Microwave w/Solid Wood Shelf	
Tall End Angle	Wall Corner Angle 33" high	
Tall End Angle Stacks	Wall Corner Angle Stacks	
Tall End Panels	Wall Corner Filler Overlay 33" high	
Tall End Panels w/ Stile	Wall Double Door 33" high	
Tall Filler Overlays 87" high	Wall Easy Reach 33" high	
Tall Fillers	Wall End Angle 33" high	
Tall Fluted Column 87" high	Wall End Corner 33" high	
Tall Fluted Filler 87" high	Wall Filler 33" high	
Tall Pantry Pullout	Wall Filler Overlay 33" high	
Tapered Bow Knob & Pull	Wall Filler Pullout 33" high	
Tide Bar Pull	Wall Fluted Column 33" high	
Traditional Mirror Molding	Wall Fluted Filler 33" high	
Traditional Mullion doors	Wall Hood Box	
Transitional Corbel	Wall Hood Box - Fillers	
Transitional Mirror Molding	Wall Hood Box w/Cove Valance	
U Shaped Deluxe Roll-out Trays	Wall Hood Box w/Straight Valance	
Universal Access Base cabinet w/2 Dlx Roll-out Trays	Wall Hood Box w/Columns	
Universal Access Base cabinet w/Dlx Roll-out Trays	Wall Hood Box w/Columns-w/XL Cove Top Plate	
Utensil Drawer Organizer - Angled	Wall Hood Cabinet Run - Rosette Corbel	
Utility 87" high	Wall Hood Cabinet Run - Shelf w/Classic Crown Molding	
Utility Cleaning Cabinet	Wall Hood Cabinet Run - Shelf w/XL Cove Molding	
Utility Extended Bottom	Wall Hood Cabinet Run - Sterling Corbel	
Utility Stacks	Wall Hood Cabinet Run - Transitional Corbel	
Vanity Base Double Door	Wall Hood Component Package "R", "S" & "T"	
Vanity Base Drawer	Wall Hood Mantel Cabinet	
Vanity Base Drawer - Four Drawer	Wall Hood Mantel Column - Sterling	
Vanity Base Drawer - Three Drawer	Wall Hood Mantle Matching	
Vanity Base Single Door	Wall Hung Vanity - Offset Left & Right	
Vanity Base Top Mount Wastebasket-Sidemount Soft-Close	Wall Hung Vanity Cabinet	
Vanity Cabinet Full-Height Door	Wall Hung Vanity Combination Drawer	
Vanity Combination Drawer (2)	Wall Hung Vanity Drawer	
Vanity Combination Drawer (3)	Wall Lateral Bi-Fold - Auto-Open	
Vanity Combination Drawer (6)	Wall Microwave Box	
Vanity Filler	Wall Microwave Cabinet	
Vanity Filler Overlay	Wall Microwave Cabinet	
Vanity Inside Corner Angle Filler	Wall Microwave Cabinet - Extended Opening	
Vanity Inside Corner Angle Filler Overlay	Wall Microwave Cabinet - Extended Opening	
Vanity Shallow Wood Tiered Drawer Storage & Kit	Wall Microwave Cabinet w/Drawer	
Vanity Sink Base Double Door	Wall Microwave Cabinet w/Drawer-Ext. Opening	
Vanity Sink Base Four Door	Wall Microwave Shelf Cabinet	
Vanity Sink Base Single Door	Wall Microwave w/ Solid Wood Shelf	
Vanity Sink Base Three Drawer	Wall Open Cabinet 33" high	
Vanity Utility Cabinet	Wall Pantry Pullout 33" high	
Vanity Utility Deluxe Dovetailed Roll-out Tray	Wall Pantry Pullout Stack	
Vanity Wood Tiered Drawer Storage - Kit	Wall Refrigerator	
Vetro Brushed Aluminum doors	Wall Refrigerator 24" Deep 30" High	
Vinyl Skin 87" high	Wall Refrigerator Top Hinge - Auto-open	
Vinyl Tall End Panel 87" high	Wall Stack	
Vista Mullion doors	Wall Top Hinge - Auto-open	
Wall - Diagonal Wine Storage Cabinet - Ascending	Waterton Knob & Pull	
Wall - Diagonal Wine Storage Cabinet - Descending	Whisper Touch Angle Restrictor Clip	
Wall - Offset Diagonal Wine Storage Cabinet	Whisper Touch Deluxe Roll-out Mounting Block Kit	
Wall 33" high	Whisper Touch Deluxe Roll-out Tray Drawer Runners	
Wall Angle 12" Deep - 21" Wide	Whisper Touch Drawer Clips	
Wall Angle 33" high	Whisper Touch Drawer Runners	
Wall Angle Appliance Garage w/Chrome Lazy Susan	Wide Scribe Molding	
Wall Angle Drawer w/Chrome Lazy Susan	Wood Corner Tall End Panel 87" high	

What's Discontinued**Door Styles**

Alina Cherry & Maple Sq.
 Bentley Cherry, Hickory, Maple, Oak Sq.
 Bentley Hickory, Maple, Oak Sq.
 Calais Cherry, Hickory, Maple, Oak Sq.
 Caliseo Cherry, Hickory, Maple, Oak Sq.
 Cimmaron Rustic Birch, Rustic Cherry, Rustic Maple
 Civano Cherry, Hickory, Maple, Oak Sq.
 Epic Hickory & Oak
 Fairlane Birch Sq.
 Fairlane Cherry, Hickory, Maple, Oak Cathedral
 Fairlane Cherry, Hickory, Maple, Oak Crown
 Hadley Hickory & Oak Sq.
 Ladera Cherry, Hickory, Maple, Oak Sq.
 Landis Cherry, Hickory, Maple, Oak Sq.
 Laredo Cherry, Hickory, Maple, Oak Sq.
 Laredo Hickory, Maple, Oak Sq.
 Marietta Cherry, Hickory, Maple, Oak Sq.
 Marsett Cherry, Hickory, Maple, Oak Sq.
 Martel Birch, Rustic Cherry, Rustic Maple
 Montesano Hickory & Oak Sq.
 Sonoma Cherry, Hickory, Maple, Oak Sq.
 Townley Cherry, Hickory, Oak Cathedral
 Townley Cherry, Hickory, Oak Crown
 Verona Maple Arch & Sq.

Finishes & touch up

Biscotti
 Biscotti w/Cinder Glaze
 Biscotti w/Cocoa Glaze
 Burnished Autumn Blush
 Burnished Cabernet
 Burnished Chestnut
 Burnished Chocolate
 Burnished Cinnamon
 Burnished Ginger
 Burnished Praline
 Cabernet
 Cabernet w/Onyx Glaze
 Mushroom
 Mushroom w/Cinder Glaze
 Mushroom w/Cocoa Glaze
 Vintage Biscotti
 Vintage Mushroom

Cabinets and Accessories

Acrylic Adjustable Shelf Kits
 Acrylic Shelf Kits
 Antique Mirage Door Inserts
 Apron Sink Base
 Apron Sink Base Extended
 Aztec Insert
 Baking Station Base
 Ballantine Mullion Doors
 Base Corner Fixed Shelf
 Base Decorative End Cabinets
 Base Drawer Angle
 Base Drawer Buffet
 Base End Open Shelf
 Base Flat Storage
 Base Glass Drawer
 Base Island End Cabinets
 Base Multi-Storage Drawer
 Base Pot and Pan Storage Clipped Corner
 Base Pot and Pan Storage Fluted Clipped Corner
 Base Super Storage
 Base Top Mount Wastebasket
 Base w/ Full Width Deluxe Dovetail Tray
 Base w/ Full Width Tray
 Base w/Roll-out Tray
 Base Z-Angle
 Beaded Back w/accent finishes
 Beaded Back w/discontinued finishes
 Beaded Wood Paneling w/accent finishes
 Box Whisper Touch Drawer Runner Clips
 Burlap Door Insert
 Contrasting Beaded, Plain & V-Groove backs w/wood inserts
 Cove Base Board
 Cove Ornament
 Cove Wood Knob
 Crescent Pull
 Deep Full Width Tray

What's Discontinued

Deep Full Width Tray
 Deep Range Base
 Deep Roll-out Tray
 Deep Roll-out Tray
 Deluxe Roll-out Tray
 Dovetailed Base Spice Drawer Cabinet
 Dovetailed Spice Drawer Cabinet
 Dovetailed Vertical Spice Drawer Cabinet
 Empire Knob & Pull
 End Block Capital
 End Spindle Capital
 Estate Onlay
 Estate Ornament
 Framed Mirror- LFDMM
 Full Width High Back Tray
 Full Width High Back Tray
 Full Width High Back Tray
 Full Width Tray
 Full Width Tray
 Furniture Base
 Furniture Base Drawer
 Furniture Base Wall
 Furniture Base Wall Top
 Furniture Book Shelf
 Furniture Match. Wall End Panel Double Panel Door
 Grape Corbel
 Grape Onlay
 High Back Roll-out Tray
 High Back Roll-out Tray
 Inside Corner Angle Filler
 Inside Corner Angle Filler Overlay
 Island End Cap w/Doors
 Island End Cap w/Drawers
 Island End Cap w/False Doors
 Island End Cap w/False Drawers
 Iterra Door Inserts
 Matching Wall End Panel Double Panel Door
 Mayfair Door Inserts
 Medium Squat Leg
 Mission Single Bead Pilaster
 Modern Ornament
 Ogee Pilaster
 Oven Cabinet DE
 Oxford Door Inserts
 Pair Sidemount Drawer Runners
 Pair Whisper Touch Base Pantry Pull-out Runners
 Pair Whisper Touch Deluxe ROT Drawer Runners
 Pair Whisper Touch Drawer Runner Clips
 Pair Whisper Touch Drawer Runners
 Pair Whisper Touch Drawer Runners Drawer Cabinet
 Pair Whisper Touch Vanity Base Pull-out Runners
 Peninsula Base End Open Shelf
 Penin. Wall Hood Classic Chimney Flat Panel Valance-Beaded
 Penin. Wall Hood Classic Chimney Raised Panel Valance-Beaded
 Peninsula Wall Hood Classic Chimney-Artisan & Beaded
 Plate Rail
 Post Molding Fluted
 Post Molding Plain
 Post Molding Reeded
 Prestige Door Inserts
 Roll-out Mounting Block Kit
 Roll-out Shelf Kit
 Roll-out Tray
 Roll-out Tray
 Roll-out Tray Divider Kit
 Single Bead Pilaster
 Sink Base
 Solid Brass Knob
 Solid Wood Wall Microwave Shelf Cabinet
 Spindle Rail
 Spindle Rail Corner
 Split Classic Post
 Split Fluted Post
 Split Rope Post
 Split Spindle
 Split Tapered Post
 Swirl Insert
 Tangiers Door Insert
 Timeless Ornament
 Traditional Wood Edge
 Triple Bead Pilaster
 Under Cabinet Open Storage
 Universal Access Base End Open Shelf
 Universal Access Base Tambour

What's Discontinued

Universal Access Full Hgt. Cabinets with ROT Trays
 Universal Access Peninsula Base End Open Shelf
 Universal Access Wood Paneling
 Utility Cabinets w/4ROT & 4DXROT
 V-Grooved Backs w/discontinued finishes
 Valance Estate
 Valance Scalloped
 Valance Victorian
 Vanity Angle Crown Top Plate-ACM, CCM, LCVMM, CM
 Vanity Decorative Skirt
 Vanity Drawer Angle
 Vanity Federal Top Plate-LFDM
 Vanity Large Crown Top Plate-LCM
 Vanity Linen Tambour
 Vanity Mirror Cabinet Open-ACM, CCM, LCM, LCVMM, LFDM, T
 Vanity Traditional Top Plate-T
 Vetro Hammered Bronze Door Inserts
 Villa Door Inserts
 Vinyl Furniture End Center-CE
 Vinyl Furniture End Panel
 Vinyl Furniture Panel
 Vinyl Furniture Shelf
 Vinyl Peninsula Furniture End Panel
 Vinyl Peninsula Furniture Panel
 Vinyl Peninsula Furniture Shelf
 Vinyl Sub Zero End Panel
 Wall Angle Double Panel Door
 Wall Angle Drawer
 Wall Angle Drawer w/WLS
 Wall Angle Tambour
 Wall Angle Tambour w/WLS
 Wall Blind Corner Double Panel Door
 Wall China Display
 Wall Corner Angle Double Panel Door
 Wall Double Panel Door
 Wall End Open Shelf
 Wall End Open Shelf-SQB, SQT, SQT B
 Wall Hood Classic Chimney Flat Panel Valance-Beaded
 Wall Hood Classic Chimney Raised Panel Valance-Beaded
 Wall Hood Classic Chimney-Artisan & Beaded
 Wall Hood Mantel Cabinet
 Wall Microwave Cabinet
 Wall Microwave Shelf Cabinet
 Wall Tambour
 Wall Z-Angle
 Whisper Touch Deluxe Roll-out Mounting Block Kit
 Wide Rail Arch w/out Fret Both Sides
 Wide Rail Arch w/out Fret Kitchen Side
 Wide Rail Arch w/out Fret Peninsula Side
 Wide Rail Victorian Both Sides
 Wide Rail Victorian Kitchen Side
 Wide Rail Victorian Peninsula Side
 Wood Paneling w/Accent Finishes

ITEM	PAGE	ITEM	PAGE	ITEM	PAGE
1					
135° Base Inside Angle Corner Cabinet	E30	Base Blind Corner w/Wood Lazy Susan	E23	Base Pantry Pull-out Utensil Storage	E43
135° Base Outside Angle Corner Cabinet	E30	Base Blind Corner w/Wood Swing-out	E24	Base Pots and Pans Organizer Roll-out Field Installation	E49
135° Wall Inside Angle Corner Cabinet	D14	Base Blind Corner Wood Lazy Susan Kit	E50	Base Pots and Pans Storage Four Drawer	E7
135° Wall Outside Angle Corner Cabinet	D15	Base Bottom Mount Wastebasket–Double w/Auto-open Kit	E47	Base Pots and Pans Storage Three Drawer	E7
		Base Bottom Mount Wastebasket–Single	E47	Base Pots and Pans Storage Two Drawer	E7
8		Base Bottom Mount Wastebasket–Single w/Auto-open Kit	E46	Base Single Door	E1
8' Power Cable	M2	Base Box	E65	Base Single Door w/Deluxe Dovetailed Full-Width Tray(s)	E2
8' Power Extension Cable	M2	Base Built-in Microwave Cabinet	E20	Base Spice Drawer Cabinet	E44
A		Base Cleaning Storage Cabinet	E41	Base Step Stool Cabinet	E43
Acanthus Corbel	M28	Base Cleaning Storage Cabinet w/Auto-Open	E42	Base Three Drawer	E6
Acanthus Insert	M26	Base Column	E65	Base Top Mount Wastebasket–Double Sidemount Soft-Close	E46
Acanthus Onlay	M28	Base Cooking Center	E44	Base Top Mount Wastebasket–Full-Height Sidemount Soft-Close	E46
Adjustable Drawer Dividers	E51, I10	Base Cookware Storage Roll-out Field Installation	E49	Base Top Mount Wastebasket–Recycling Center Sidemount Soft-Close	E46
Adjustable Shelf Clips	N4	Base Corner Angle	E33	Base Top Mount Wastebasket–Single Sidemount Soft-Close	E45
Aerosol Can	N10	Base Corner Drawer Cabinet	E29	Base Tray Pull-out	E40
Aged Bronze Knob	M40	Base Corner Smart Space Cabinet	E29	Base Utensil Pull-Out	E42
Aged Bronze Pull	M40	Base Deep Drawer Combination	E8	Base w/Pots and Pans Organizer	E45
Aged Pewter Beaded Knob With Backplate	M41	Base Deep Drawer Combination - Top & Bottom Tray	E8	Base Wine Rack	E39
Aged Pewter Beaded Pull	M41	Base Dishwasher Cabinet	E20	Batten Molding	M11
All Plywood Construction with 1/2" End Panels	C10	Base Double Door	E1	Bead Edging	M11
All Plywood Construction with 3/4" (Furniture) End Panels	C10	Base Double Door Double Drawer	E1	Bead Molding	M11
Aluminum Integrated Angled Pull	M38	Base Double Door w/Deluxe Dovetailed Full-Width Tray(s)	E2	Bead Pilaster	M11
Aluminum Integrated Pull	M38	Base End Angle	E33	Beaded Light Rail	M11
Aluminum Round Bar Pull	M38	Base End Corner	E33	Beaded Panel Molding	M12
Aluminum Round Leg	M30	Base End Panel	E67	Beaded Paneling	K10
Aluminum Square Leg	M30	Base End Panel w/Stile	E67	Bistro Insert	L11
Angle Crown Molding	M10	Base Filler	E62	Bread Box Drawer	E7
Angle Crown Molding–Face-Mount	M10	Base Filler Overlay	E63	Bread Box or Kit	E53
Angled Corner Molding	M10	Base Filler Pull-out	E40	Brushed Brass Tapered Bow Pull	M37
Angled Wood Edge	M10	Base Fluted Column	E65	Brushed Brass Tapered Knob	M37
Angled Wood Tops	I6	Base Fluted Filler	E63		
Antique Knob	M39	Base Four Drawer	E6	C	
Antique Pull	M39	Base Full-Height Double Door	E3	Cabinet Care Kit	N9
Antiquity Insert	L16	Base Full-Height Double Door 12" Deep	E3	Cabinet Front Only	C25
Apple Leg	M32	Base Full-Height Single Door	E3	Cabinet Panel Edge	M12
Apron Sink Base Extended	E13	Base Full-Height Single Door - Full Overlay	E2	Cabinet Panel Options	C27
Apron Sink Base Extended 27" Deep	E13	Base Full-Height Single Door 12" Deep	E3	Cascade Insert	L25
Asymmetrical Easy Reach	E28	Base Full-Height Single Door w/Tray Divider	E2	Castlegate	L19
Asymmetrical Easy Reach w/Chrome Super Susan	E28	Base Inside Corner Angle Filler	E63	Center Beaded Insert	M26
Asymmetrical Easy Reach Wood Super Susan	E28	Base Inside Corner Angle Filler Overlay	E63	Center Rail Cutout	K3
Asymmetrical Wall Easy Reach	D20	Base Liter Bottle	E43	Chair Rail	M12
Attached Decorative End (Factory Applied Replacement Doors)	C19	Base Message Center	E34	Chalkboard Insert	L24
		Base Microwave Cabinet 34 1/2" H w/Bottom Drawer–Extended Opening	E18	Change Height	C21
B		Base Microwave Cabinet 34 1/2" H w/Deep Bottom Drawer	E18	Change Width	C20
Back Option	C15	Base Microwave Cabinet 46 1/2" H	E19	Change Width & Change Height	C23
Baluster Knob	M46	Base Microwave Cabinet 46 1/2" H w/Drawers–Extended Opening	E19	Change Width & Increase Depth	C22
Baluster Pull	M46	Base Microwave Cabinet 46 1/2" H–Extended Opening	E19	Change Width & Reduce Depth	C21
Bar PullM43		Base Microwave Cabinet 46 1/2" H–Extended Opening	E19	Change Width, Increase Depth & Change Height	C24
Base - Offset Diagonal Wine Storage Cabinet	E39	Base Microwave Drawer	E19	Change Width, Reduce Depth & Change Height	C24
Base Angle	E26	Base Mixer Shelf	E45	Charging Drawer	E58
Base Angle Full-Height Door	E26	Base Multi-Storage Pantry	E44	Chateau Insert	L8
Base Blind Corner	E23	Base Oven Cabinet Universal	E16	Chopping Block or Kit	E55
Base Blind Corner Universal	E23	Base Pantry Pull-out	E40	Chrome Deluxe Roll-out Tray Factory Installed	K20
Base Blind Corner w/Chrome Swing-out	E24				

ITEM	PAGE	ITEM	PAGE	ITEM	PAGE
Chrome Deluxe Roll-out Tray Field Installation	K20	Decorative Posts	M33	Empire Knob	M44
Chrome Lazy Susan Kit for Wall Angle Cabinets	D60	Decorative Wide Rail Options	C28	Empire Leg	M31
Classic Camed Insert	L8	Deep Drawer Organizer	E62	Empire Light Rail	M16
Classic Crown Molding	M12	Deep Drawer Organizer w/Canister Storage and Deep Drawer Organizer w/Tall Canister Storage	E60	Empire Pull	M45
Classic Crown Molding w/Molding Mounting Strip	M12	Deep Range Base	E17	Empire Square Knob	M44
Classic Drawer Front	C33	Deep Sink Base	E12	Empire Starter Molding	M14
Classic Leg	M31	Deep Sink Base 27" Deep	E12	End-to-End Connector	M2
Clipped Corner Wood Tops	I7	Deep Sink Base Extended	E13	Evansville	L19
Computer Keyboard Drawer Cabinet	H6	Deluxe Dovetailed Roll-out Tray Factory Installed	K19	Extended Stile	C28
Computer Keyboard Drawer Kit	H9	Deluxe Dovetailed Roll-out Tray Field Installation	K19		
Connector Kit for Custom Wire Length	M2	Deluxe Raised or Recessed Panel Drawer Front	C32	F	
Console Vanity	G6	Deluxe Roll-out Tray Extension Tail	N3	Fabric Care Ensemble	F26
Console Vanity Deluxe Roll-Out Tray	G7	Dentil Edging	M15	Fabric Care Ensemble Cabinet	F27
Contemporary Wood Crown	M13	Dentil Insert	M26	Fabric Care Ensemble Panels	F27
Contemporary Wood Edge	M13	Dentil Molding	M16	False Front Clips	N5
Contemporary Wood Tops	I6	Desk Box	H11	Federal Knob	M49
Contrasting Back Option—Beaded Back	C16	Desk Column	H11	Federal Leg	M31
Contrasting Back Option—Plain Back	C15	Desk Door Cabinet—Double Door	H2	Federal Molding	M17
CoreGuard® Panel Backer	K12	Desk Door Cabinet—Single Door	H2	Federal Pull	M49
CoreGuard® Sink Base	E8	Desk Double File Drawer	H4	Fill Stick	N15
CoreGuard® Vanity	G16	Desk Drawer Cabinet	H3	Filler Extension	D65, E64, H10
Corner Molding	M13	Desk Easy Reach	H7	Finished End Wood Tops	I7
Corner Tall End Panel	F36	Desk End Panel	H12	Flat Framed Beveled Mirror	G38
Corner Tall Molding	M13	Desk File Drawer Cabinet	H3	Floating Shelf Cove Molding	M17
Countertop Support	M4	Desk Filler	H9	Floating Shelf Sterling Molding	M17
Cove Base Board Extended	M13	Desk Filler Overlay	H9	Floating Shelves	I8
Cove Casing	M14	Desk Fluted Column	H11	Floating Shelves - Cove	I8
Cove Corbel	M29	Desk Fluted Filler	H9	Floating Shelves - Sterling	I9
Cove Leg	M32	Desk Full-Height Door	H3	Flush Finished Blind	D13
Cove Light Rail	M14	Desk Knee Drawer Cabinet	H6	Fluted Extended Stile	C29
Cove Molding	M14	Desk Multi-Storage Drawer Cabinet	H3	Fluted Filler Extension	D65
Cove Molding w/Molding Mounting Strip	M15	Desk Wastebasket	H4	Fluted Integrated Extended Stile	C29
Crescent Knob	M45	Desk Wastebasket w/Soft-Close Runners	H5	Fluted Leg	M32
Crescent Pull	M46	Diagonal Wine Storage Cabinet	D28	Fluted Square Posts	M34
Crossroads Insert	L14	Dishwasher Panel	E20	Fordham Bin Pull	M50
Crown Molding	M15	Dishwasher Raised Panel	E21	Fordham Knob	M49
Crown Molding w/Molding Mounting Strip	M15	Distressed French Lace Knob	M42	Framed Mirror w/Decorative Accents	G54
Custom Appliance Panel-Frame Only	K3	Distressed French Lace Pull	M43	Framed Mirror—Angle Crown	G38
Custom Appliance Panel—Door Onlay Panel	K2	Dolace Insert	L25	Framed Mirror—Classic	G39
Custom Appliance Panel—Door Onlay Panel with Custom Center Rail	K2	Door Insert Clips	N5	Framed Mirror—Large Cove	G39
Custom Appliance Panel—Drawer Onlay Panel	K4	Door Stop Kit	N4	Framed Mirror—Large Crown	G39
Cutlery Divider or Kit	E56	Door Storage	D51	Framed Mirror—Traditional	G39
Cutting Board Door Rack Kit	E55	Door Storage Angle	D52	French Farm Cup Pull	M43
Cutting Board Finish	N9	Double Oven Opening Kit	F28	French Farm Pull	M44
Cutting Center or Kit	E54	Down Draft Base	E18	French Farm Round Knob	M43
		Drawer Partition	E52	French Leg	M33
		Drawer Storage Angle	D52	Fresco Brushed Aluminum	L4
		Drawer Storage Cabinet	D52	Front Shelf Clips	N4
		Drop-in Range Panel	E18	Full Extension Drawer Runner	N3
				Full-Height Doors	C32
D				Furniture Base 84" and 90" H	I5
DayBreak Dimmable Driver	M3			Furniture Base 96" H	I5
Decorative Accent End Panel	E67	E		Furniture Book Shelf—84", 87" and 90" H	I4
Decorative Island End Cap Legs	M33	Easy Reach	E27	Furniture Book Shelf—93" and 96" H	I4
Decorative Leg	M31	Easy Reach w/Chrome Super Susan	E27	Furniture Book Shelf—Top	I3
Decorative Panel—Back Panel	K6	Easy Reach Wood Super Susan	E27	Furniture Drawer 12" H	I9
Decorative Panel—Door Onlay Panel and Hinge Doors	K6	Egg and Dart Edge	M27	Furniture Drawer 6" H	I9
Decorative Panel—Drawer Onlay Panel	K7	Empire Corbel	M29	Furniture End Panels	I10
Decorative Panel—Wainscot	K8	Empire Crown Molding	M16		

ITEM	PAGE	ITEM	PAGE	ITEM	PAGE
Furniture Matching Base End Panel	E68			Mirror Cabinet–Surface Mount	G36
Furniture Matching Desk End Panel	H13			Mirror Molding	M18
Furniture Matching Tall End Panel	F36	J		Mission Angle Support	M4
Furniture Matching Tall Vanity End Panel	G71	Jericho Knob	M50	Mission Batten Molding	M18
Furniture Matching Vanity End Panel	G69	Jericho Pull	M50	Mission Countertop Support	M4
Furniture Matching Wall End Panel	D69			Mission Flat Wood Edge	M18
Furniture Panels	I12	K		Mission Light Rail	M18
Furniture Plywood Ends	C10	K-Cup® Drawer Organizer Kit-Field Installation	E52	Mission Outside Corner	M19
Furniture Shelf Rests	N5	K-Cup® Shelf Kit	D59	Mission Scribe Molding	M19
Furniture Shelves	I11	Knee Drawer Divider or Kit	H8	Mission Shelf Support Bracket	M5
Furniture Wall	I1	Knife Section Cutting Center or Kit	E55	Mission Single Bead Edging	M19
Furniture Wall Top	I2	Knife Section or Kit	E54	Mission Single Bead Molding	M19
				Mission Single Bead Pilaster	M19
G		L		Mission Single Bead Wood Edge	M20
Glass Door Inserts	C32	Lattice Wall	D27	Mission Starter Molding	M16
Glass Insert Retainer Strip	N6	Lattice Wall Cabinet	D27	Mode Knob	M50
Glass Shelf Kit w/Adjustable Shelf Clips	K14	Lazy Susan End Panel	E25	Mode Pull	M51
Glass Shelf Kits	K14	LED Flexible Strip Tape Light - LED Light Sources	M1	Modern Casing	M20
Glass Shelf Rests	N5	LED Puck Light	M1	Modern Cup Pull	M48
		Library Molding	M17	Modern Frosted Insert	L14
		Lighted Tri View Mirror	G38	Modern Pull	M48
		Lisbon Insert	L14	Modern Textured Insert	L26
		Low Voltage LED Wall Dimmer Switch	M3	Moire Insert	L26
				Molding Mounting Strip	M20
				Motion Sensor On/Off Switch	M3
		M		Mullion Strip Base–Void Center Stile	C25
		Matching Base End Panel	E67	Mullion Strip Oven Cabinet–Void Center Stile	C26
		Matching Base End Panel–Mitered	E68	Mullion Strip Peninsula Base–Void Center Stile	C26
		Matching Base End Panel–Square Edges	E68	Mullion Strip Utility Bottom–Void Center Stile	C26
		Matching Desk End Panel	H13	Mullion Strip Utility Top–Void Center Stile	C26
		Matching Desk End Panel–Mitered	H13	Mullion Strip Wall–Void Center Stile	C25
		Matching Desk End Panel–Square Edges	H13	Multi Storage Pantry 24" Wide	F14
		Matching Interior Standard Construction–Printed Woodgrain Laminate	C11	Multi Storage Pantry 36" Wide	F14
		Matching Interior with 1/2" Plywood End Panels	C11	Multi-Sized Deep Drawer Organizer w/Food Storage and Multi-Sized Deep Drawer Organizer	E59
		Matching Interior with 3/4" (Furniture) End Panels on All Plywood (APC) Orders	C11		
		Matching Interior with 3/4" Furniture Plywood End Panels	C11	N	
		Matching Tall End Panel	F35	Non-slip Drawer Liner	E52, G59
		Matching Tall End Panel–Mitered	F36		
		Matching Tall End Panel–Square Edges	F35	O	
		Matching Tall End Panel–Square Edges	F35	Ogee Edging	M20
		Matching Tall Vanity End Panel	G70	Ogee Molding	M20
		Matching Tall Vanity End Panel–Mitered	G72	Ogee Pilaster	M21
		Matching Tall Vanity End Panel–Square Edges	G71	Oil Rubbed Bronze Pull	M37
		Matching Vanity End Panel	G68	Olive Leaf Corbel	M29
		Matching Vanity End Panel–Mitered	G70	Olive Leaf Knob	M41
		Matching Vanity End Panel–Square Edges	G69	Olive Leaf Molding	M27
		Matching Wall End Panel	D68	Olive Leaf Onlay	M28
		Matching Wall End Panel–Square Edges	D68	Olive Leaf Pull	M41
		Matte Nickel Knob	M36	Operational End	C18
		Medium Football Knob	M36	Organizer Wall Cabinet	H1
		Microwave Cooking Center	F23	Organizers	D56
		Microwave Cooking Center w/Drawer Storage	F24	Organizers	H2
		Microwave Cooking Center w/Drawer Storage–Extended Opening	F25	Oval Rosette	M28
		Microwave Cooking Center–Extended Opening	F24	Oven Cabinet Cut-out	C31
		Microwave Kit–Compact	E20	Oven Cabinet–Combination w/Bottom Drawer	F22
		Mirage Insert	L17	Oven Cabinet–Combination w/3" Stiles	F22
		Mirror Cabinet–Recessed Mount	G35		

ITEM	PAGE	ITEM	PAGE	ITEM	PAGE
Oven Cabinet—Double Extended Opening w/3" Stiles	F21	Plain Capital Sterling Base Column	E66	Rosette Desk Fluted Column	H12
Oven Cabinet—Double w/3" Stiles	F20	Plain Capital Sterling Vanity Column	G67	Rosette Desk Fluted Filler	H10
Oven Cabinet—Double w/3" Stiles—Deep Drawer	F20	Plain Capital Tall Fluted Column	F32	Rosette Desk Fluted Filler Overlay	H10
Oven Cabinet—Single Oven/Microwave Combination w/3" Stiles—Bottom Drawer	F19	Plain Capital Tall Fluted Filler	F30	Rosette Tall Fluted Column	F32
Oven Cabinet—Single w/3" Stiles	F18	Plain Capital Vanity Fluted Column	G67	Rosette Tall Fluted Filler	F31
Oven Cabinet—Single w/3" Stiles—Two Bottom Drawers	F19	Plain Capital Vanity Fluted Filler	G65	Rosette Tall Fluted Filler Overlay	F31
Oven Cabinet—Universal	F23	Plain Capital Wall Fluted Column	D67	Rosette Vanity Fluted Column	G67
Oven Trim Kit	F28	Plain Capital Wall Fluted Filler	D64	Rosette Vanity Fluted Filler	G65
Overlay Panel For Base Blind Corner Cabinets	E68	Plain Square Posts	M34	Rosette Vanity Fluted Filler Overlay	G65
Overlay Panel For Wall Blind Corner Cabinets	D69	Plywood Ends	C10	Rosette Wall Fluted Column	D67
		Polish	N9	Rosette Wall Fluted Filler	D64
		Portrait Framed Mirror—Classic	G40	Rosette Wall Fluted Filler Overlay	D64
		Portrait Framed Mirror—Cove	G40	Round Knob	M42
		Portrait Framed Mirror—Federal	G40		
		Portrait Framed Mirror—Traditional	G40	S	
P		Prairie Insert	L15	Sail Knob	M47
Paint	N11	Prep for Warming Drawer	C34	Sail Pull	M47
Palisades Insert	L9	Prepared for Glass	L12	Satin Chrome 5" Center Pull	M36
Palladia	L20	Printed Laminate Woodgrain	K12	Satin Nickel Dog Bone Pull	M38
Pantry Storage	F13	Prism Insert	L13	Satin Nickel Knob	M37
Paper Towel Holder	D58	Pull-out Table Kit	E53	Satin Nickel Tapered Bow Pull	M37
Pearl Beaded Knob	M45			Satina Insert	L15
Pearl Beaded Pull	M45	Q		Scoop Top Drawer	C34
Pedestal Drawer	E45	Quarter Round Molding	M21	Scribe Molding	M21
Pegged Drawer Organizer	E58			Shadow Insert	L13
Peninsula Base Angle Cabinet	E32	R		Shaped Molding	M22
Peninsula Base Blind Corner	E24	Raleigh	L21	Shelf Clips	N4
Peninsula Base Blind Corner—27" Wide	E25	Range Base	E17	Shelf Kits	K13
Peninsula Base Double Door	E4	Range Base 27" Deep	E17	Shelf Support Bracket	M5
Peninsula Base Full-Height Double Door	E5	Ravenna Insert	L26	Shoe Molding	M22
Peninsula Base Full-Height Double Door 12" Deep	E6	Recessed Toe Kick	C35	Showcase Mullion	L21
Peninsula Base Full-Height Single Door	E4	Recessed Toe Kick Peninsula	C35	Silk Insert	L17
Peninsula Base Full-Height Single Door 12" Deep	E5	Reduce Depth & Change Height	C22	Simplicity Knob	M48
Peninsula Base Full-Height Single Door w/Tray Divider	E4	Reduced Depth	C20	Simplicity Pull	M48
Peninsula Base Single Door	E4	Refrigerator End Panel w/Stile	F34	Sink Base Angle	E15
Peninsula Easy Reach	E31	Refrigerator Tall Cabinet	F26	Sink Base Blind Corner	E14
Peninsula Easy Reach Wood Super Susan	E31	Replacement Deluxe Rollout Trays for BDDC Cabinet	E50	Sink Base Door Storage Unit or Kit	E58
Peninsula Wall Angle	D21	Replacement Runners for Toe Kick Drawer	N2	Sink Base Drawer	E12
Peninsula Wall Angle Wood Lazy Susan	D22	Replacement Shelving w/Adjustable Shelf Clips	K15	Sink Base Multi-Storage Cabinet	E11
Peninsula Wall Blind Corner	D14	Replacement Shelving—Base	K17	Sink Base Multi-Storage Shelf Kit	E53
Peninsula Wall Double Door	D10	Replacement Shelving—Vanity	K18	Sink Base Plastic Bag Door Storage Unit or Kit	E58
Peninsula Wall Easy Reach	D22	Replacement Shelving—Walls	K16	Sink Base Shallow Deluxe Roll-out Tray-Field Installation	E50
Peninsula Wall Hood Classic	D35	Replacement Spice Bottle	D61	Sink Base U-Shaped Deluxe Roll-out Tray-Field Installation	E50
Peninsula Wall Hood Classic Chimney	D37	Replacement Wastebasket	E48, H8	Sink Base w/Roll-Out Trays	E10
Peninsula Wall Hood Classic Chimney Flat Panel ValanceD38		Reverse-A-Shelf Kit	D62	Sink Base w/Roll-Out Trays and Utensil Tray	E10
Peninsula Wall Hood Classic Chimney Raised Panel Valance	D39	Ribbon Twist Molding	M21	Sink Base Wastebasket	E11
Peninsula Wall Hood Matching	D36	Roll-out Tray Divided Kit Field Installation	K20	Sink Base—Clipped and Fluted Clipped Corners	E11
Peninsula Wall Single Door	D9	Roll-Out Tray Organizer	E62	Sink Front	E14
Penrose Insert	L9	Roll-Out Tray Organizer w/Canisters and Roll-Out Tray Organizer w/Tall Canisters	E61	Sink Front Angle	E15
Permaset Bumpers	N6	Roman Spindles	M35	Sink Front Corner 90°	E15
Pewter Domed Ring Knob	M40	Rope Molding	M21	Sliding Bread Box Lid	E53
Pewter Ringed Pull	M40	Rosette	M27	Sliding Towel Bar	E62
Plain Capital Base Fluted Column	E66	Rosette Base Fluted Column	E66	Smithwick Knob	M52
Plain Capital Base Fluted Filler	E64	Rosette Base Fluted Filler	E64	Smithwick Pull	M52
Plain Capital Desk Fluted Column	H12	Rosette Base Fluted Filler Overlay	E64	Soffit Crown Molding	M22
Plain Capital Desk Fluted Filler	H10	Rosette Corbel	M29		

ITEM	PAGE	ITEM	PAGE	ITEM	PAGE
Solid Stock	M22	Tambour Storage 18" H	D53	Universal Access Lazy Susan End Panel	J9
Solid Wood Base End Open Shelf 24" Deep	E34	Tambour Storage Angle	D53	Universal Access Matching Toe Kick	J9
Solid Wood Peninsula Base End Open Shelf 12" Deep	E34	Tapered Leg	M32	Universal Access Peninsula Base Blind Corner	J5
Solid Wood Wall End Open Shelf	D25	Tide Bar Pull	M51	Universal Access Peninsula Base Blind Corner w/Pull-out	J5
Specialty Panels	K11	Tiered Pan and Lid Storage Pull-out	E43	Universal Access Peninsula Solid Wood Base End Open Shelf	J6
Spice Caddy	E57	Tiered Pan and Lid Storage Pull-out Kit	E48	Universal Access Plumbing Skirt	J4
Spice Drawer Cabinet	D55	Tiered Storage Shelf	D62	Universal Access Single Oven Cabinet w/3" Stiles	J7
Spice Drawer Cabinet Replacement Hardware	M36	Timeless Onlay	M28	Universal Access Sink Base	J4
Spice Drawer Insert or Kit	E57	Toe Kick	E69, F36, G72, H14, I13	Universal Access Sink Collar	J4
Spice Open Storage Shelf Only	D61	Toe Kick Drawer	C36	Universal Access Sink Front	J4
Spice Open Storage with Bottles	D61	Toe Kick Furniture Corner	M34	Universal Access Solid Wood Base End Open Shelf	J6
Spice Rack Kit	D60	Top Wide Rail	C27	Universal Access Tall Filler	J8
Spindles	M35	Touch-Up Kit	N13	Universal Access Utility Cabinets 12" Deep	J7
Split Decorative Posts	M34	Touch-Up Pen	N14	Universal Access Utility Cabinets 24" Deep	J7
Split Spindles	M35	Traditional Casing	M24	Universal Custom Appliance Panel-Frame Only	K3
Square Desk End Panel	H12	Traditional Light Rail	M24	Universal Molding	M25
Square Wood Knob	M39	Traditional Mullion	L22	Utensil Drawer Organizer - Angled - Field Install Kit	E56
Stack Molding	M22	Traditional Wood Edge	M24	Utensil Tray or Kit	E54
Stain Kit	N12	Traditional Wood Tops	I6	Utility Cabinets 12" Deep	F1
Stainless Cutlery Divider	E56	Transition Molding	M24	Utility Cabinets 24" Deep	F2
Stainless Round Leg	M31	Transitional Corbel	M30	Utility Cabinets 60 1/2" High 12" Deep	F4
Stainless Utensil Tray or Kit	E54	Tray Dividers-Base	E51	Utility Cabinets 60 1/2" High 24" Deep	F5
Starter Molding	M23	Tray Dividers-Tall	F29	Utility Cleaning Cabinet 24" Deep	F5
Starter Trim	M23	Tray Dividers-Wall	D59	Utility Cleaning Cabinet 24" Deep - Broom Hook Replacement	F5
Stem Glass Holder	D58	Tri View Mirror	G37	Utility Combination	F9
Sterling Base Column	E66	Trunk Cup Pull	M49	Utility Combination-Shelves Left	F8
Sterling Corbel	M30	Trunk Knob	M49	Utility Deluxe Dovetailed Roll-out Tray	F10
Sterling Crown Molding	M23	Trunk Pull	M39	Utility Extended Bottom 12" Deep	F3
Sterling Leg	M32	Tulip Leg	M33	Utility Extended Bottom 24" Deep	F4
Sterling Light Rail	M23			Utility Message Center	F13
Sterling Starter Molding	M23			Utility Stack 60 1/2" High Deluxe Dovetailed Roll-out Tray	F11
Sterling Tall Column	F32			Utility Stack 84"-96" High Deluxe Dovetailed Roll-out Tray	F12
Sterling Vanity Column	G66			Utility Stack Cabinets 12" Deep	F6
Sterling Wall Column	D67			Utility Stack Cabinets 24" Deep	F7
Stranded Copper Wire	M2			Utility Stack Cabinets 60 1/2" High 12" Deep	F8
Styx Insert	L27			Utility Stack Cabinets 60 1/2" High 24" Deep	F8
Sub Zero End Panel	F35				
		U			
		U-Shaped Deluxe Roll-out Tray	G2		
		Under Cabinet Door Storage	D52		
		Under Cabinet Panels	D62		
		Under Cabinet Shelf	D57		
		Under Cabinet Shelf 18" H	D57		
		Under Cabinet Shelf Corner	D57		
		Universal Access Base Blind Corner w/Pull-out	J5		
		Universal Access Base Cabinet w/2 Deluxe Rollout Trays	J3		
		Universal Access Base Cabinet w/Deluxe Rollout Trays	J2		
		Universal Access Base Dishwasher Cabinet	J5		
		Universal Access Base End Corner	J6		
		Universal Access Base End Panel w/Stile	J8		
		Universal Access Base Filler	J8		
		Universal Access Base Microwave	J5		
		Universal Access Base Pantry Pull-out	J2		
		Universal Access Base Pull-out Table	J6		
		Universal Access Base Single Door w/Tray Divider	J2		
		Universal Access Base Skin	J8		
		Universal Access Base Three Drawer	J3		
		Universal Access Base Three Drawer w/Cutting Center	J3		
		Universal Access Base Two Drawer	J3		
		Universal Access Base Wastebasket	J7		
		Universal Access Lazy Susan	J6		
				V	
				V-Groove Paneling	K10
				Valance Contemporary	M8
				Valance Corbel	M7
				Valance Cove	M5
				Valance Crown	M6
				Valance Flat Panel	M8
				Valance Furniture	M6
				Valance Raised Panel	M8
				Valance Shaker	M7
				Valance Straight	M8
				Valance Traditional	M6
				Vanity Adjustable Drawer Dividers	G58
				Vanity Base Blind Corner	G20
				Vanity Base Double Door	G18

T

Tailored Knob	M38
Tailored Pull	M40
Tall Acanthus Capital	M27
Tall Column	F31
Tall Corner Angle	F16
Tall Corner Angle Stack	F16
Tall End Angle	F17
Tall End Angle Stack	F17
Tall End Panel	F33
Tall End Panel w/Stile	F34
Tall File Cabinet 24" Deep	H6
Tall Filler	F29
Tall Filler Overlay	F30
Tall Fluted Column	F31
Tall Fluted Filler	F30
Tall Pantry Pull-out	F15
Tall Pantry Pull-out 60 1/2" H	F15

ITEM	PAGE	ITEM	PAGE	ITEM	PAGE
Vanity Base Drawer	G22	Vanity Linen Cabinet Top Mount Wastebasket-Double 88 1/2" H	G26	Wall Angle 12" Deep	D15
Vanity Base Four Drawer	G23	Vanity Linen Short Three Drawer	G28	Wall Angle 15" Deep	D16
Vanity Base Hamper Top Mount	G25	Vanity Linen Short Two Drawer	G28	Wall Angle Appliance Garage	D18
Vanity Base Pull-out	G24	Vanity Linen Towel Storage	G27	Wall Angle Appliance Garage Chrome Lazy Susan	D18
Vanity Base Pull-out Appliance	G25	Vanity Mirror Angle Cabinet	G36	Wall Angle Appliance Garage Wood Lazy Susan	D19
Vanity Base Single Door	G18	Vanity Mirror Cabinet	G36	Wall Angle Chrome Lazy Susan	D16
Vanity Base Top Mount Wastebasket-Double	G25	Vanity Mirror Cabinet Storage	G37	Wall Angle Chrome Lazy Susan Stack	D17
Vanity Box	G66	Vanity Shallow Wood Tiered Drawer Storage	G58	Wall Angle Stack	D17
Vanity Cabinet Full-Height Door	G17	Vanity Sink Base Angle-Full-Height	G9	Wall Angle Wood Lazy Susan	D16
Vanity Column	G66	Vanity Sink Base Angle-Single Door	G9	Wall Angle Wood Lazy Susan Stack	D17
Vanity Combination Drawer (2)	G11	Vanity Sink Base Bottom Drawer	G8	Wall Appliance Garage	D51
Vanity Combination Drawer (3)	G12	Vanity Sink Base Double Door	G3	Wall Blind Corner 23 1/2"—42" H	D12
Vanity Combination Drawer (6)	G14	Vanity Sink Base Double Door w/Decorative Accents	G44	Wall Blind Corner 48" and 54" H	D12
Vanity Combination Drawer (8)	G15	Vanity Sink Base Four Door	G4	Wall Blind Corner Stack	D13
Vanity Combination Drawer w/Decorative Accents (2)	G47	Vanity Sink Base Four Drawer	G5	Wall Box	D66
Vanity Combination Drawer w/Decorative Accents (3)	G48	Vanity Sink Base Four Drawer w/Decorative Accents	G46	Wall Cabinet w/Spice Rack	D54
Vanity Combination Drawer w/Decorative Accents (6)	G49	Vanity Sink Base Single Door	G3	Wall China Display	D27
Vanity Combination Drawer w/Decorative Accents (8)	G50	Vanity Sink Base Single Door w/Decorative Accents	G43	Wall Column	D66
Vanity Combination Drawer w/Decorative Accents-Full False Front (4)	G51	Vanity Sink Base Three Door	G4	Wall Compact Microwave Shelf	D32
Vanity Combination Drawer w/Decorative Accents-Full False Front (6)	G52	Vanity Sink Base Three Drawer	G5	Wall Compact Microwave w/Solid Wood Shelf	D33
Vanity Combination Drawer-Full False Front (4)	G13	Vanity Sink Base Three Drawer w/Decorative Accents	G45	Wall Corner Angle	D23
Vanity Combination Drawer-Full False Front (6)	G13	Vanity Sink Base Two Drawer	G4	Wall Corner Angle Stack	D23
Vanity Decorative Accent End Panel	G56	Vanity Sink Base-Fluted Clipped Corners	G4	Wall Double Door 12"-42 H	D3
Vanity Decorative Accent Filler	G57	Vanity Sink Front	G8	Wall Double Door 48" and 54" H	D4
Vanity Decorative Skirt w/Decorative Accents	G55	Vanity Storage Rack Kit	G60	Wall Easy Reach	D19
Vanity Drawer Base Angle Four Drawer	G19	Vanity Utility Cabinet 18" Deep	G30	Wall End Angle	D24
Vanity Drawer Base Angle Three Drawer	G19	Vanity Utility Cabinet 18" Deep w/Deluxe Dovetailed Roll-out Tray	G32	Wall End Corner	D24
Vanity Drawer Divider	G59	Vanity Utility Cabinet 21" Deep	G31	Wall End Panel	D68
Vanity Drawer Storage Kit	G59	Vanity Utility Cabinet 21" Deep w/Deluxe Dovetailed Roll-out Tray	G33	Wall End Panel w/Stile	D68
Vanity Easy Reach	G21	Vanity Vertical Lift Door Wall Cabinet	G29	Wall Filler	D62
Vanity Easy Reach Wood Lazy Susan	G22	Vanity Wall Boutique	G34	Wall Filler Overlay	D63
Vanity End Panel	G67	Vanity Wall Cabinet	G34	Wall Filler Pull-out	D56
Vanity End Panel w/Stile	G68	Vanity Wall Cabinet w/Decorative Accents	G53	Wall Fluted Column	D66
Vanity Filler	G61	Vanity Wall-Recessed Mount	G35	Wall Fluted Filler	D64
Vanity Filler Overlay	G62	Vanity Wood Tiered Drawer Storage	G58	Wall Hood Box	D39
Vanity Filler Pull-out	G24	Vauxhall Insert	L27	Wall Hood Box Valance	D40
Vanity Filler Pull-out Replacement Trays	G60	Venetian Bronze Rustic Knob	M42	Wall Hood Box w/Columns & Wall Hood Box w/Columns w/Extra Large Cove Top Plate	D41
Vanity Fluted Column	G66	Venetian Bronze Victorian Leaf Pull	M42	Wall Hood Cabinet Run - Rosette Corbel	D45
Vanity Fluted Filler	G64	Vetro Brushed Aluminum	L6	Wall Hood Cabinet Run - Shelf w/Classic Crown Molding	D47
Vanity Furniture Filler	G64	Victorian Insert	L9	Wall Hood Cabinet Run - Shelf w/Extra Large Cove Molding	D47
Vanity Hamper Base	G25	Vinyl Edgebanding	N8	Wall Hood Cabinet Run - Sterling Corbel	D46
Vanity Hamper Linen Cabinet 88 1/2" H	G26	Vista Mullion	L23	Wall Hood Cabinet Run - Transitional Corbel	D46
Vanity Hamper Linen Cabinet Top Mount 88 1/2" H	G26	Void All Doors and Drawer Fronts	C33	Wall Hood Classic	D35
Vanity Inside Corner Angle Filler	G63	Void All Drawer Boxes	C34	Wall Hood Classic Chimney	D36
Vanity Inside Corner Angle Filler Overlay	G63	Void Doors Only	C33	Wall Hood Classic Chimney Flat Panel Valance	D37
Vanity Knee Drawer	G23	Void Toe Kick	C35	Wall Hood Classic Chimney Raised Panel Valance	D38
Vanity Linen Cabinet 48" H	G29	Void Top Drawer Box	C33	Wall Hood Component Package (A, B & C)-Recirculating	D48
Vanity Linen Cabinet 88 1/2" H	G26			Wall Hood Component Package (D, E & F)-Vented	D48
Vanity Linen Cabinet Deluxe Roll-out Tray (2)	G27			Wall Hood Component Package (G, H & I)-Vented	D48
Vanity Linen Cabinet Deluxe Roll-out Tray (3)	G27			Wall Hood Component Package (J, K & L)-Vented	D48
Vanity Linen Cabinet Four Drawer	G28			Wall Hood Component Package (O, P, Q)-Vented	D49
Vanity Linen Cabinet Three Drawer	G27				
		W			
		Wall - Offset Diagonal Wine Storage Cabinet	D29		

ITEM	PAGE	ITEM	PAGE	ITEM	PAGE
Wall Hood Component Package (R, S, T)–Vented	D49	Wide Dentil Molding	M25		
Wall Hood Cove	D43	Wide Scribe Molding	M25		
Wall Hood Mantle Cabinet	D44	Wine Shelf	D59		
Wall Hood Mantle Column	D45	Wine Storage Cabinet	D29		
Wall Hood Mantle Column–Sterling	D45	Wintersday Insert	L18		
Wall Hood Mantle Matching	D44	Wire Stem Glass Holder	D58		
Wall Hood Matching	D35	Wire Tray Divider Kit	E51		
Wall Hood Matching Straight Valance	D42	Wood Lazy Susan	E25		
Wall Hung Vanity	G1	Wood Lazy Susan Angle	E26		
Wall Hung Vanity Combination Drawer	G2	Wood Lazy Susan Kit for Wall Angle Cabinets	D60		
Wall Hung Vanity Drawer	G3	Wood Sink Base	E9		
Wall Hung Vanity Full-Height Door	G1	Wood Sink Base 27" Deep	E9		
Wall Inside Corner Angle Filler	D63	Wood Tall Door Storage Kit	F29		
Wall Inside Corner Angle Filler Overlay	D63	Wood Tiered Drawer Storage Combination or Kit	E57		
Wall Lateral Bi-Fold Cabinet	D53	Wood Tiered Drawer Storage or Kit	E57		
Wall Message Center	D24	Wood Veneer Construction	C12		
Wall Microwave Box	D34	Wood Veneer Paneling	K9		
Wall Microwave Cabinet	D30				
Wall Microwave Cabinet w/Drawer	D33	Y			
Wall Microwave Cabinet w/Drawer–Extended Opening	D34	Yorkshire Insert	L10		
Wall Microwave Cabinet–Extended Opening	D31				
Wall Microwave Shelf	D34				
Wall Microwave Shelf Cabinet	D32				
Wall Microwave w/Solid Wood Shelf	D32				
Wall Multi-Storage Pantry	D54				
Wall Open Cabinet	D26				
Wall Pantry Pull-out	D54				
Wall Pantry Pull-out Stack	D54				
Wall Refrigerator 24" Deep	D5				
Wall Refrigerator Top Hinge 24" Deep	D7				
Wall Reverse-A-Shelf	D55				
Wall Single Door 12"-42" H	D1				
Wall Single Door 48" and 54" H	D2				
Wall Stack Cabinet 48", 51" and 54" H	D8				
Wall Top Hinge Cabinet 12" Deep	D6				
Wall Top Wide Rail	C27				
Wall Wine Hutch	D28				
Wall Wine Rack Cabinet	D55				
Wastebasket Drawer Partition	C34				
Wastebasket Lid	E48, H8				
Waterton Knob	M51				
Waterton Pull	M51				
Whisper Touch™ Angle Restrictor Clip	N1				
Whisper Touch™ Base Pantry Pull-Out Runners	N2				
Whisper Touch™ Deluxe Dovetailed Roll-Out Tray Drawer Runners	N3				
Whisper Touch™ Deluxe Dovetailed Roll-Out Tray Mounting Block Kit	N1				
Whisper Touch™ Drawer Clips	N3				
Whisper Touch™ Drawer Runners	N1				
Whisper Touch™ Drawer Runners–Two Drawer Cabinets	N2				
Whisper Touch™ Hinges–1/2" Overlay	N7				
Whisper Touch™ Hinges–Face Mount	N7				
Whisper Touch™ Hinges–Full Overlay	N7				
Whisper Touch™ Vanity Base Pull-Out Runners	N2				

Notes

Door Styles



Alder



Cherry



Hickory



Maple



Oak

Wood Species & Characteristics

Alder is softer than other hardwood species with a fine grain pattern. In its raw state, Alder's color can range from pale pink–brown to tan. Rustic Alder likely includes some combination of rustic characteristics such as open and closed knots, burls, worm holes, mineral streaks and sound cracks reflecting the inherent beauty of the wood. These characteristics are expected and preferred as they occur naturally in the material. Of the natural characteristics, open and closed knots are the most common in the species.

Cherry is a rich multi-colored hardwood, often used in fine furniture. In its raw state, cherry has pinkish-brown hues with occasional shades of white, green, pink or grey. It may also contain small knots, pin holes and cherry fissures. A cherry fissure is a small crack that occurs naturally in the wood; it will **not** get bigger over time. Natural or light stains accent the color variations and characteristics in cherry, while dark stains soften its complexity. All cherry wood naturally darkens or “mellows” with age.

Crafted Hardwood Veneer is made from an engineered hardwood veneer to emulate the look of real Quartersawn Cherry, Maple or Oak. This material is less susceptible to expansion and contraction and offers a more consistent color and grain pattern.

EverCore™ is a mechanically compressed wood fiber material that reacts less to environmental conditions than other hardwood materials. This material is less susceptible to expansion and contractions that can cause joints to separate showing hairline cracks in painted product. It also provides a more consistent and smooth surface, eliminating the appearance of naturally occurring wood characteristics such as grain patterns, knots or mineral streaks. When EverCore™ is selected, the entire door including stiles, rails, and center panel, will be made from this material.

Hickory is a strong, open-grained wood that is known for its flowing grain pattern and dramatic variation in color. Hickory often contains random pecks, burls and mineral streaks. A single hickory door might vary from light to deep brown when finished in light or natural stains. Darker stains will mildly tone these color variations, but these very characteristics make each hickory kitchen unique.

High-Gloss Foils feature a smooth, glossy surface for a contemporary look. The High-Gloss foil is applied to medium-density fiberboard (MDF) using a roll bonding process. The doors have a coordinating gloss edge banding applied with a special process to minimize the seam between the face and edge of the door. Door and drawer front backs are matching in color with a standard sheen melamine. Cabinet face frames are painted solid hardwood to coordinate with the color of the doors and drawer fronts in the standard sheen. Cabinet boxes have a standard Matching Interior Standard Construction (MIV) that brings the entire cabinet together. While great care has been taken to match the face frame to the doors and drawer fronts, texture, sheen and color variations can be expected. We recommend ordering specialty panels for High-Gloss foil ends as the standard end panels will be standard paint. Prolonged exposure to tobacco smoke will discolor High-Gloss finishes, and this side effect is **not** covered under warranty.

Thermofoil doors feature a silky-smooth surface providing a uniform look from door to door. Thermofoil material is applied to medium-density fiberboard (MDF) using an intense heat and pressure-bonding process. The cabinetry face frame features solid hardwood finished to match the Thermofoil doors and drawer fronts. While great care has been taken to match the face frame to the doors and drawer fronts, texture and color variations can be expected. Prolonged exposure to tobacco smoke will discolor thermofoil finishes, and this side effect is **not** covered under warranty.

Maple is a strong wood that is primarily off-white in its raw state. However, maple sometimes contains light hues of yellow-brown and pink as well as light tan or reddish-tinged streaks that darken with stain. Typically straight-grained, maple can be wavy or even curly. Hard maple offers more uniformity than other wood types, making it ideal for living spaces that feature a clean, streamlined appearance.

Oak is a strong, open-grained wood that ranges in color from white to yellow to reddish brown. Oak is sometimes streaked with green, yellow or black mineral deposits.

Quartersawn refers to the method of cutting natural wood. Lumber is cut through the rings at close to a 90 degree angle, creating a tighter, straighter and more consistent grain pattern. Finishes may appear slightly darker on quartersawn material. Face frame and end panels are supplied as plain-sawn material unless stated otherwise per cabinet.

Rustic doors likely include some combination of open knots, wormholes, dramatic color contrast, and mineral streaks reflecting the inherent beauty of the wood. These characteristics are expected and preferred as they occur naturally in the material; no one characteristic (i.e. open knots) is a defining trait of Rustic door styles. **Must** order matching end panels for rustic finished ends.

Wood-Grain Foil doors are made out of vinyl foil, which features an embossed surface providing the appearance of exotic wood character. The foil is wrapped around medium-density fiberboard (MDF) using adhesives to ensure a strong bond. Edges are covered with a matching vinyl edgebanding for a clean finished look. The cabinetry face frame features solid hardwood finished to compliment the Thermofoil doors and drawer fronts. While great care has been taken to match the face frame to the doors and drawer fronts, texture and color variations can be expected. Prolonged exposure to tobacco smoke will discolor thermofoil finishes, and this side effect is **not** covered under warranty.

Door Styles by Price Book Column

Col	Door Styles	Code	
A	Ganon EverCore™ Arch–Half	AC3D9	
	Ganon EverCore™ Square–Half	AC2D9	
	Ganon Hickory Arch–Half	AC3H9	
	Ganon Hickory Square–Half	AC2H9	
	Ganon Oak Arch–Half	AC3O9	
	Ganon Oak Square–Half	AC2O9	
	Harmond Oak	AC4O9	
B	Ganon Maple Arch–Half	AC3M9	
	Ganon Maple Square–Half	AC2M9	
	Ganon Rustic Alder Square–Half	AC2A9	
	Glencoe Cream	SCS9	
	Glencoe White	SW59	
	Harmond Maple	AC4M9	
	Martel EverCore™–Half	AE8D9	
	Martel Hickory–Half	AE8H9	
	Martel Oak–Half	AE8O9	
	C	Atticus Maple	WI9
Atticus Oak		AC5O9	
Fox Court Hickory Arch–Half		AB8H9	
Fox Court Hickory Square–Half		AB7H9	
Fox Court Oak Arch–Half		AB8O9	
Fox Court Oak Square–Half		AB7O9	
Winterport Arch Cream		ECR9	
Winterport Arch White		EWR9	
Winterport Cream		EC59	
Winterport White		EW59	
D		Atticus Hickory	AC5H9
		Fox Court Maple Arch–Half	AB8M9
		Fox Court Maple Square–Half	AB7M9
		Ganon Cherry Arch–Half	2GCR9
		Ganon Cherry Square–Half	2GCS9
	Ganon EverCore™ Arch–Full	AD0D9	
	Ganon EverCore™ Square–Full	AC9D9	
	Harmond Cherry	AC4C9	
	Ladon Cannon Grey	AH2L9	
	Ladon Dove White	AH2W9	
	Martel Maple–Half	AE8M9	
	Martel Rustic Alder–Half	AE8A9	
	Saline	SHD9	
E	Capri	WP9	
	Carlin Cannon Grey	AH3L9	
	Carlin Dove White	AH3W9	
	Fox Court Cherry Arch–Half	AB8C9	
	Fox Court Cherry Square–Half	AB7C9	
	Fox Court Hickory Arch–Full	AC0H9	
	Fox Court Hickory Square–Full	AB9H9	
	Fox Court Oak Arch–Full	AC0O9	
	Fox Court Oak Square–Full	AB9O9	
	Ganon Hickory Arch–Full	AD0H9	
	Ganon Hickory Square–Full	AC9H9	
	Ganon Oak Arch–Full	AD0O9	
	Ganon Oak Square–Full	AC9O9	
	Levan Maple	AJ4M9	
	Martel Cherry–Half	AE8C9	
	Martel EverCore™–Full	MPD9	
	Martel Hickory–Full	AE9H9	
	Martel Oak–Full	MPO9	
	Sylvan EverCore™	AC8D9	
	Sylvan Oak	AC8O9	
	F	Fallon Oak	AH7O9
		Ganon Maple Arch–Full	AD0M9
Ganon Maple Square–Full		AC9M9	
Ganon Rustic Alder Square–Full		AC9A9	
Levan Cherry		AJ4C9	
Rockwell Maple		AH5M9	
Sylvan Hickory		AC8H9	
Townley EverCore™ Arch–Half		TWAD9	
Townley EverCore™ Square–Half		TWSD9	

Col	Door Styles	Code	
F	Townley Hickory Arch–Half	TWAH9	
	Townley Hickory Square–Half	TWSH9	
	Townley Oak Arch–Half	TWAO9	
G	Townley Oak Square–Half	TWSO9	
	Burton Hickory	BWH9	
	Burton Oak	SMG9	
	Fallon Maple	AH7M9	
	Fox Court Maple Arch–Full	AC0M9	
	Fox Court Maple Square–Full	AB9M9	
	Ganon Cherry Arch–Full	AD0C9	
	Ganon Cherry Square–Full	AC9C9	
	Hincley Cannon Grey	AH4L9	
	Hincley Dove White	AH4W9	
	Martel Maple–Full	MPM9	
	Martel Rustic Alder–Full	MPA9	
	Maxum	AG7L9	
	Rockwell Cherry	AH5C9	
	Savona	ND9	
	Sawyer Maple	AH6M9	
	H	Sylvan Maple	SNM9
Sylvan Rustic Alder		SNA9	
Townley Maple Arch–Half		TWAM9	
Townley Maple Square–Half		TWSM9	
Townley Rustic Alder Square–Half		TWSA9	
Turner Quartersawn Oak		AJ0O9	
Epic EverCore™		MLD9	
Fairlane EverCore™ Arch–Full		PWD9	
Fairlane EverCore™ Square–Full		MTD9	
Fairlane Hickory Arch–Full		PWH9	
Fairlane Hickory Square–Full		MTH9	
Fairlane Oak Arch–Full		PWO9	
Fairlane Oak Square–Full		MTO9	
Fallon Cherry		AH7C9	
I	Burton EverCore™	BWDD9	
	Fairlane Maple Arch–Full	PWM9	
	Fairlane Maple Square–Full	MTM9	
	Fairlane Rustic Alder Square–Full	MTA9	
	Fox Court Cherry Arch–Full	AC0C9	
	Fox Court Cherry Square–Full	AB9C9	
	Martel Cherry–Full	LY9	
	Montresano EverCore™	DRHD9	
	Sawyer Cherry	AH6C9	
	Sylvan Cherry	SNC9	
	Townley Cherry Arch–Half	TWAC9	
	Townley Cherry Square–Half	TWSC9	
	Turner Maple	AJ0M9	
	Turner Rustic Alder	AJ0A9	
	J	Bristow Crafted Oak	AH9O9
Cimmaron Oak		WLO9	
Cimmaron Rustic Alder		WLA9	
Coleson Maple		AC1M9	
Epic Maple		MLM9	
Hurley Maple Square		AA6M9	
Jarvis Maple Square		AB5M9	
Knoxville EverCore™		PKD9	
Mesa		MRO9	
Montresano Oak Square		AB2O9	
K		Bristow Crafted Maple	AH9M9
		Burton Maple	BWM9
		Cimmaron Rustic Hickory	DAH9
		Coleson Cherry	AC1C9
	Montresano Maple	DRHM9	
	Montresano Rustic Alder	DRHA9	
	Turner Cherry	AJ0C9	
	L	Cimmaron Maple	WLM9
		Epic Cherry	MLC9
		Fairlane Cherry Arch–Full	PWC9
Fairlane Cherry Square–Full		MTC9	

Col	Door Styles	Code	
L	Hadley Maple	HYM9	
	Hurley Cherry Square	AA6C9	
	Jarvis Cherry Square	AB5C9	
	Knoxville Maple Square	PKM9	
	M	Bristow Crafted Cherry	AH9C9
		Burton Cherry	BWC9
	Cimmaron Cherry	WLCC9	
	Jade Maple	AJ2M9	
	Riverside Maple	AJ3M9	
N	Hadley Cherry	HYC9	
	Knoxville Cherry Square	PKC9	
	Montresano Cherry	DRHC9	
	Rathbun Maple	RTM9	
	O	Gallina Maple	AB1M9
Jade Cherry		AJ2C9	
Jennings Maple Square		AA5M9	
Rathbun Cherry		RTC9	
	Riverside Cherry	AJ3C9	
	Temora Maple	AA0M9	
	P	Gallina Cherry Square	AB1C9
Jennings Cherry Square		AA5C9	
Temora Cherry		AA0C9	
Q	Caparo Maple	CRM9	
	Lucca Maple	AB3M9	
	Vega Maple Square	AA1M9	
R	Caparo Cherry	CRC9	
	Lucca Cherry	AB3C9	
	Vega Cherry Square	AA1C9	

Door Styles Alphabetically

Col	Door Styles	Code
D	Atticus Hickory	AC5H9
C	Atticus Maple	WI9
C	Atticus Oak	AC5O9
M	Bristow Crafted Cherry	AH9C9
K	Bristow Crafted Maple	AH9M9
J	Bristow Crafted Oak	AH9O9
M	Burton Cherry	BWC9
I	Burton EverCore™	BWDD9
G	Burton Hickory	BWH9
K	Burton Maple	BWM9
G	Burton Oak	SMG9
R	Caparo Cherry	CRC9
Q	Caparo Maple	CRM9
E	Capri	WP9
E	Carlin Cannon Grey	AH3L9
E	Carlin Dove White	AH3W9
M	Cimmaron Cherry	WLCC9
L	Cimmaron Maple	WLM9
J	Cimmaron Oak	WLO9
J	Cimmaron Rustic Alder	WLA9
K	Cimmaron Rustic Hickory	DAH9
K	Coleson Cherry	AC1C9
J	Coleson Maple	AC1M9
L	Epic Cherry	MLC9
H	Epic EverCore™	MLD9
J	Epic Maple	MLM9
L	Fairlane Cherry Arch–Full	PWC9
L	Fairlane Cherry Square–Full	MTC9
H	Fairlane EverCore™ Arch–Full	PWD9
H	Fairlane EverCore™ Square–Full	MTD9
H	Fairlane Hickory Arch–Full	PWH9
H	Fairlane Hickory Square–Full	MTH9
I	Fairlane Maple Arch–Full	PWM9
I	Fairlane Maple Square–Full	MTM9
H	Fairlane Oak Arch–Full	PWO9
H	Fairlane Oak Square–Full	MTO9
I	Fairlane Rustic Alder Square–Full	MTA9
H	Fallon Cherry	AH7C9
G	Fallon Maple	AH7M9
F	Fallon Oak	AH7O9
I	Fox Court Cherry Arch–Full	AC0C9
E	Fox Court Cherry Arch–Half	AB8C9
I	Fox Court Cherry Square–Full	AB9C9
E	Fox Court Cherry Square–Half	AB7C9
E	Fox Court Hickory Arch–Full	AC0H9
C	Fox Court Hickory Arch–Half	AB8H9
E	Fox Court Hickory Square–Full	AB9H9
C	Fox Court Hickory Square–Half	AB7H9
G	Fox Court Maple Arch–Full	AC0M9
D	Fox Court Maple Arch–Half	AB8M9
G	Fox Court Maple Square–Full	AB9M9
D	Fox Court Maple Square–Half	AB7M9
E	Fox Court Oak Arch–Full	AC0O9
C	Fox Court Oak Arch–Half	AB8O9
E	Fox Court Oak Square–Full	AB9O9
C	Fox Court Oak Square–Half	AB7O9
P	Gallina Cherry	AB1C9
O	Gallina Maple	AB1M9
G	Ganon Cherry Arch–Full	AD0C9
D	Ganon Cherry Arch–Half	2GCR9
G	Ganon Cherry Square–Full	AC9C9
D	Ganon Cherry Square–Half	2GCS9
D	Ganon EverCore™ Arch–Full	AD0D9
A	Ganon EverCore™ Arch–Half	AC3D9
D	Ganon EverCore™ Square–Full	AC9D9
A	Ganon EverCore™ Square–Half	AC2D9
E	Ganon Hickory Arch–Full	AD0H9

Col	Door Styles	Code
A	Ganon Hickory Arch–Half	AC3H9
E	Ganon Hickory Square–Full	AC9H9
A	Ganon Hickory Square–Half	AC2H9
F	Ganon Maple Arch–Full	AD0M9
B	Ganon Maple Arch–Half	AC3M9
F	Ganon Maple Square–Full	AC9M9
B	Ganon Maple Square–Half	AC2M9
E	Ganon Oak Arch–Full	AD0O9
A	Ganon Oak Arch–Half	AC3O9
E	Ganon Oak Square–Full	AC9O9
A	Ganon Oak Square–Half	AC2O9
F	Ganon Rustic Alder Square–Full	AC9A9
B	Ganon Rustic Alder Square–Half	AC2A9
B	Glencoe Cream	SCS9
B	Glencoe White	SWS9
N	Hadley Cherry	HYC9
L	Hadley Maple	HYM9
D	Harmond Cherry	AC4C9
B	Harmond Maple	AC4M9
A	Harmond Oak	AC4O9
G	Hinckley Cannon Grey	AH4L9
G	Hinckley Dove White	AH4W9
L	Hurley Cherry Square	AA6C9
J	Hurley Maple Square	AA6M9
O	Jade Cherry	AJ2C9
M	Jade Maple	AJ2M9
L	Jarvis Cherry Square	AB5C9
J	Jarvis Maple Square	AB5M9
P	Jennings Cherry Square	AA5C9
O	Jennings Maple Square	AA5M9
N	Knoxville Cherry Square	PKC9
J	Knoxville EverCore™	PKD9
L	Knoxville Maple Square	PKM9
D	Ladon Cannon Grey	AH2L9
D	Ladon Dove White	AH2W9
F	Levan Cherry	AJ4C9
E	Levan Maple	AJ4M9
R	Lucca Cherry	AB3C9
Q	Lucca Maple	AB3M9
I	Martel Cherry–Full	LY9
E	Martel Cherry–Half	AE8C9
E	Martel EverCore™–Full	MPD9
B	Martel EverCore™–Half	AE8D9
E	Martel Hickory–Full	AE9H9
B	Martel Hickory–Half	AE8H9
G	Martel Maple–Full	MPM9
D	Martel Maple–Half	AE8M9
E	Martel Oak–Full	MPO9
B	Martel Oak–Half	AE8O9
G	Martel Rustic Alder–Full	MPA9
D	Martel Rustic Alder–Half	AE8A9
G	Maxum	AG7L9
J	Mesa	MRO9
N	Montresano Cherry	DRHC9
I	Montresano EverCore™	DRHD9
K	Montresano Maple	DRHM9
J	Montresano Oak Square	AB2O9
K	Montresano Rustic Alder	DRHA9
O	Rathbun Cherry	RTC9
N	Rathbun Maple	RTM9
O	Riverside Cherry	AJ3C9
M	Riverside Maple	AJ3M9
G	Rockwell Cherry	AH5C9
F	Rockwell Maple	AH5M9
D	Saline	SHD9
G	Savona	ND9
I	Sawyer Cherry	AH6C9

Col	Door Styles	Code
G	Sawyer Maple	AH6M9
I	Sylvan Cherry	SNC9
E	Sylvan EverCore™	AC8D9
F	Sylvan Hickory	AC8H9
G	Sylvan Maple	SNM9
E	Sylvan Oak	AC8O9
G	Sylvan Rustic Alder	SNA9
P	Temora Cherry	AA0C9
O	Temora Maple	AA0M9
I	Townley Cherry Arch–Half	TWAC9
I	Townley Cherry Square–Half	TWSC9
F	Townley EverCore™ Arch–Half	TWAD9
F	Townley EverCore™ Square–Half	TWSD9
F	Townley Hickory Arch–Half	TWAH9
F	Townley Hickory Square–Half	TWSH9
G	Townley Maple Arch–Half	TWAM9
G	Townley Maple Square–Half	TWSM9
F	Townley Oak Arch–Half	TWAO9
F	Townley Oak Square–Half	TWSO9
G	Townley Rustic Alder Square–Half	TWSA9
K	Turner Cherry	AJ0C9
I	Turner Maple	AJ0M9
G	Turner Quartersawn Oak	AJ0O9
I	Turner Rustic Alder	AJ0A9
R	Vega Cherry Square	AA1C9
Q	Vega Maple Square	AA1M9
C	Winterport Arch Cream	ECR9
C	Winterport Arch White	EWR9
C	Winterport Cream	ECS9
C	Winterport White	EWS9

Atticus

Full Overlay

AC5H9 Hickory

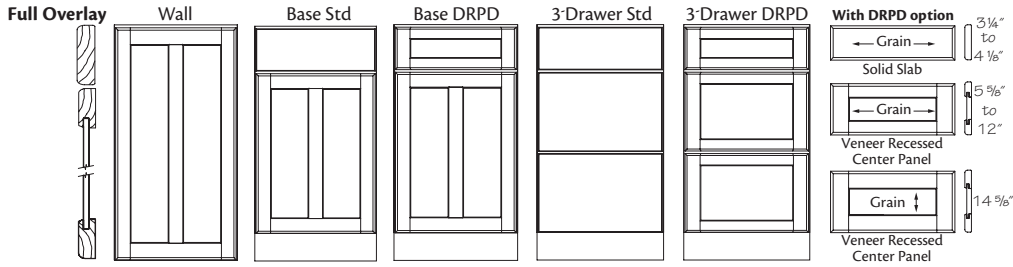
Price Column D

W19 Maple

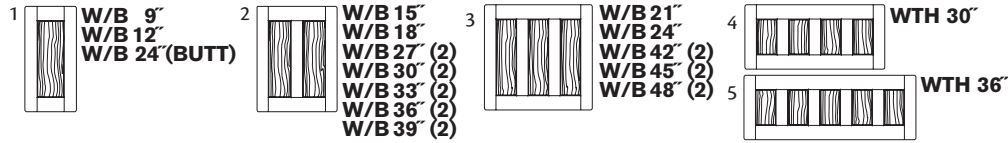
Price Column C

AC5O9 Oak

Price Column C



Door Configuration Chart



- Solid wood door frame with 2 1/4" stiles and rails
- Single or multiple side by side veneer recessed panels on wall and base doors
- Slab drawer front
- Deluxe Recessed Panel Drawer (DRPD) front available
- Concealed hinge
- Glass door options have no center divider
- Decorative hardware is required
- See Door Configuration Chart for panel arrangement

Decorative Doors & Inserts Available

Aluminum Frame Glass

- Fresco Brushed Aluminum
- Vetro Brushed Aluminum

Camed Glass

- Chateau
- Classic Camed Insert
- Palisades
- Penrose
- Victorian
- Yorkshire

Classic Glass

- Bistro
- Prepared for Glass
- Prism
- Shadow

Etched Glass

- Crossroads
- Lisbon
- Modern Frosted Insert
- Prairie
- Satina

Layered Glass

- Antiquity
- Mirage
- Silk
- Wintersday

Mullion Doors

- Castlegate
- Evansville
- Hewitt
- Palladia ▲
- Raleigh ▲
- Showcase Mullion
- Traditional Mullion

Specialty Inserts

- Chalkboard Insert

Textured Glass

- Cascade
- Dolace
- Modern Textured Insert
- Moire
- Ravenna
- Styx
- Vauxhall

▲ Only available in Maple door styles

Atticus Finishes

- ❖ Available as Standard
- Premium Upcharge

		Atticus Hickory	Atticus Maple	Atticus Oak
Autumn Blush	AB	❖		
Autumn Blush Suede	C21		●	
Autumn Blush W/Onyx Glaze	A56		●	
Autumn Blush W/Onyx Glaze Suede	E10		●	
Baltic	D78	❖		
Baltic Suede	D80		●	
Bonsai	E69	●		
Bonsai Suede	E70	●		
Burmese	E67	●		
Burmese Suede	E68	●		
Cannon Grey	D81	❖		
Cannon Grey Suede	D83		●	
Canvas	CV	●		
Canvas Suede	D37	●		
Canvas W/Cinder Glaze	B90	●		
Canvas W/Cinder Glaze Suede	E26	●		
Canvas W/Cocoa Glaze Suede	E27	●		
Canvas W/Cocoa Glaze	VG	●		
Chestnut	CN	❖		
Chestnut Suede	C23	●		
Chestnut W/Onyx Glaze	A54	●		
Chestnut W/Onyx Glaze Suede	E12	●		
Chocolate	CC	❖		
Chocolate Suede	D87	●		
Cinnamon	CA	❖		
Cinnamon Suede	C74	●		
Cinnamon W/Onyx Glaze	A48	●		
Cinnamon W/Onyx Glaze Suede	E14	●		
Cognac	CO	❖	❖	❖
Cognac Suede	D85	●	●	●
Dove White	DW	●		
Dove White Suede	D40	●		
Dove White W/Cinder Glaze	B89	●		
Dove White W/Cinder Glaze Suede	E30	●		
Dove White W/Cocoa Glaze	A15	●		
Dove White W/Cocoa Glaze Suede	E31	●		
Fawn	FN		❖	
Fawn Suede	D51		●	
Ginger	C88	❖	❖	❖
Ginger Suede	C19	●	●	●
Ginger W/Sable Glaze	C11	●	●	●
Ginger W/Sable Glaze Suede	E15	●	●	●
Greyloft	B65	●		
Greyloft Suede	D41	●		
Greyloft W/Sable Glaze	B66	●		
Greyloft W/Sable Glaze Suede	E32	●		
Honey Spice	HS	❖	❖	❖
Honey Spice Suede	D88	●	●	●
Husk	B82	❖		❖
Husk Suede	C13	●	●	●
Kaffé	KA	❖	❖	❖
Kaffé Suede	C27	●	●	●
Lagoon	E63	●		
Lagoon Suede	E64	●		
Linen	D90	●		
Linen Suede	D93	●		
Linen W/Cinder Glaze	D96	●		
Linen W/Cinder Glaze Suede	E33	●		
Linen W/Cocoa Glaze	D94	●		
Linen W/Cocoa Glaze Suede	E34	●		

		Atticus Hickory	Atticus Maple	Atticus Oak
Midnight	B69	●		
Midnight Suede	D42	●		
Midnight W/Onyx Glaze	B70	●		
Midnight W/Onyx Glaze Suede	E35	●		
Molasses	E58	❖	❖	❖
Molasses Suede	E59	●	●	●
Moonshine	D98	●		
Moonshine Suede	E02	●		
Moonshine W/Cinder Glaze	E04	●		
Moonshine W/Cinder Glaze Suede	E36	●		
Moonshine W/Cocoa Glaze	E03	●		
Moonshine W/Cocoa Glaze Suede	E37	●		
Natural	NA	❖	❖	❖
Natural Suede	D89	●	●	●
Onyx	A21	●	●	●
Onyx Suede	D44	●	●	●
Pebble Grey	B83	●		
Pebble Grey Suede	D45	●		
Pebble Grey W/Cocoa Glaze	B84	●		
Pebble Grey W/Cocoa Glaze Suede	E40	●		
Peppercorn	PC	❖	❖	❖
Peppercorn Suede	D53	●	●	●
Praline	PR	❖	❖	❖
Praline Suede	C78	●	●	●
Praline W/Onyx Glaze	A45	●	●	●
Praline W/Onyx Glaze Suede	E16	●	●	●
Saddle	B81	❖	❖	❖
Saddle Suede	C12	●	●	●
Slate	B64	❖	❖	❖
Slate Suede	C72	●	●	●
Sunset	SU	❖		
Sunset Suede	D49	●		
Surfside	E65	●		
Surfside Suede	E66	●		
Unfinished	UF	❖	❖	❖

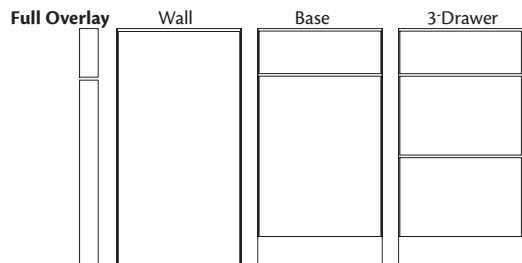
Bristow

Full Overlay

AH9C9 Crafted Cherry Price Column M

AH9M9 Crafted Maple Price Column K

AH9O9 Crafted Oak Price Column J



- Quartersawn veneer slab on wall and base doors
- Quartersawn veneer slab drawer fronts
- Wood grain orientation on door and drawer fronts is vertical; **not** book matched between pieces
- Concealed hinge
- Decorative hardware is required
- **Note:** Frame and End Panels of cabinets are supplied in plain-sawn corresponding material. For a more uniform look, consider using a decorative door to conceal exposed cabinet ends
- **Note:** Crafted doors are made from an engineered hardwood veneer to emulate the look of real Quartersawn Cherry, Maple or Oak. This material offers a more consistent color and grain pattern

Decorative Doors & Inserts Available

Aluminum Frame Glass

- Fresco Brushed Aluminum
- Vetro Brushed Aluminum

Camed Glass

- Chateau
- Classic Camed Insert
- Palisades
- Penrose
- Victorian
- Yorkshire

Classic Glass

- Bistro
- Prepared for Glass
- Prism
- Shadow

Etched Glass

- Crossroads
- Lisbon
- Modern Frosted Insert
- Prairie
- Satina

Layered Glass

- Antiquity
- Mirage
- Silk
- Wintersday

Specialty Inserts

- Chalkboard Insert

Textured Glass

- Cascade
- Dolace
- Modern Textured Insert
- Moire
- Ravenna
- Styx
- Vauxhall

Bristow Finishes

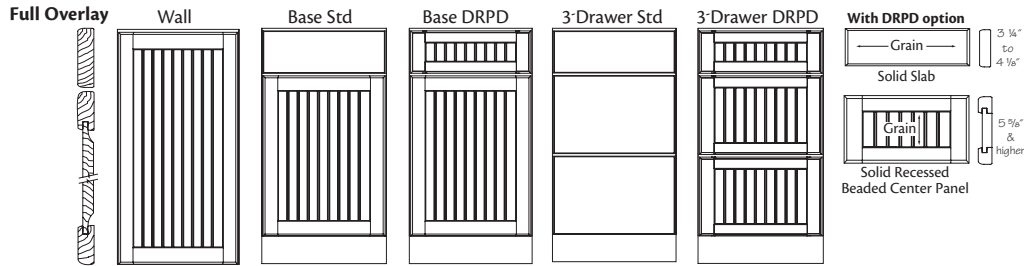
- ❖ Available as Standard
- Premium Upcharge

		Bristow Crafted Cherry	Bristow Crafted Maple	Bristow Crafted Oak
		AH9C9	AH9M9	AH9O9
Autumn Blush	AB	❖		❖
Autumn Blush Suede	C21	●		●
Baltic	D78	❖		❖
Baltic Suede	D80	●		●
Cannon Grey	D81	❖		❖
Cannon Grey Suede	D83	●		●
Chestnut	CN		❖	
Chestnut Suede	C23		●	
Chocolate	CC	❖	❖	
Chocolate Suede	D87	●	●	
Cinnamon	CA	❖	❖	
Cinnamon Suede	C74	●	●	
Cognac	CO	❖	❖	❖
Cognac Suede	D85	●	●	●
Fawn	FN			❖
Fawn Suede	D51			●
Ginger	C88	❖	❖	❖
Ginger Suede	C19	●	●	●
Honey Spice	HS	❖	❖	❖
Honey Spice Suede	D88	●	●	●
Husk	B82	❖		❖
Husk Suede	C13	●		●
Kaffé	KA	❖	❖	❖
Kaffé Suede	C27	●	●	●
Molasses	E58	❖	❖	❖
Molasses Suede	E59	●	●	●
Natural	NA	❖	❖	❖
Natural Suede	D89	●	●	●
Peppercorn	PC	❖	❖	❖
Peppercorn Suede	D53	●	●	●
Praline	PR	❖	❖	❖
Praline Suede	C78	●	●	●
Saddle	B81	❖	❖	❖
Saddle Suede	C12	●	●	●
Slate	B64	❖	❖	❖
Slate Suede	C72	●	●	●
Sunset	SU	❖		
Sunset Suede	D49	●		
Unfinished	UF	❖	❖	❖

Burton

Full Overlay

BWC9	Cherry	Price Column M
BWDD9	EverCore™	Price Column I
BWH9	Hickory	Price Column G
BWM9	Maple	Price Column K
SMG9	Oak	Price Column G



- Solid wood door frame with 2 1/4" stiles and rails, except EverCore™, which will be mechanically compressed wood fiber
- Square solid beaded recessed panel on wall and base doors, except EverCore™, which will be mechanically compressed wood fiber
- Grooves are 1 1/2" on center
- Slab drawer front
- Deluxe Recessed Panel Drawer (DRPD) front available
- Concealed hinge
- Decorative hardware is required

Decorative Doors & Inserts Available

Aluminum Frame Glass

- Fresco Brushed Aluminum
- Vetro Brushed Aluminum

Camed Glass

- Chateau
- Classic Camed Insert
- Palisades
- Penrose
- Victorian
- Yorkshire

Classic Glass

- Bistro
- Prepared for Glass
- Prism
- Shadow

Etched Glass

- Crossroads
- Lisbon
- Modern Frosted Insert
- Prairie
- Satina

Layered Glass

- Antiquity
- Mirage
- Silk
- Wintersday

Mullion Doors

- Castlegate★
- Evansville★
- Hewitt★
- Palladia▲★
- Raleigh▲★
- Showcase Mullion★
- Traditional Mullion★

Specialty Inserts

- Chalkboard Insert

Textured Glass

- Cascade
- Dolace
- Modern Textured Insert
- Moire
- Ravenna
- Styx
- Vauxhall

▲ Only available in Cherry & Maple door styles
 ★ Not available in Evercore™ door styles

Burton Finishes

- ◆ Available as Standard
- Premium Upcharge

		BWC9	BW/DD9	BWH9	BW/M9	SMG9
		Burton Cherry	Burton EverCore™	Burton Hickory	Burton Maple	Burton Oak
Aged Concrete	E06				●	
Aged Papyrus	E05				●	
Aged River Rock	E07				●	
Autumn Blush	AB	◆				◆
Autumn Blush Suede	C21	●				●
Autumn Blush W/Onyx Glaze	A56	●				●
Autumn Blush W/Onyx Glaze Suede	E10	●				●
Baltic	D78	◆				◆
Baltic Suede	D80	●				●
Bonsai	E69		●		●	
Bonsai Suede	E70		●		●	
Burmese	E67		●		●	
Burmese Suede	E68		●		●	
Cannon Grey	D81	◆				◆
Cannon Grey Suede	D83	●				●
Canvas	CV		●		●	
Canvas Suede	D37		●		●	
Canvas W/Cinder Glaze	B90				●	
Canvas W/Cinder Glaze Suede	E26				●	
Canvas W/Cocoa Glaze Suede	E27				●	
Canvas W/Cocoa Glaze	VG				●	
Chestnut	CN				◆	
Chestnut Suede	C23				●	
Chestnut W/Onyx Glaze	A54				●	
Chestnut W/Onyx Glaze Suede	E12				●	
Chocolate	CC	◆				◆
Chocolate Suede	D87	●			●	
Chocolate W/Ebony Glaze	EG	●				
Chocolate W/Ebony Glaze Suede	E13	●				
Cinnamon	CA	◆				◆
Cinnamon Suede	C74	●				
Cinnamon W/Onyx Glaze	A48	●			●	
Cinnamon W/Onyx Glaze Suede	E14	●			●	
Cognac	CO	◆		◆	◆	◆
Cognac Suede	D85	●		●	●	●
Distressed Autumn Blush	C22	●				●
Distressed Baltic	D79	●				●
Distressed Cannon Grey	D82	●				●
Distressed Chestnut	C24				●	
Distressed Chocolate	D86	●			●	
Distressed Cinnamon	C75	●			●	
Distressed Cognac	D84	●		●	●	●
Distressed Fawn	D52					●
Distressed Ginger	C20	●		●	●	●
Distressed Husk	C15	●		●	●	●
Distressed Kaffé	C28	●		●	●	●
Distressed Molasses	E60	●		●	●	●
Distressed Peppercorn	C86	●			●	●
Distressed Praline	C79	●		●	●	●
Distressed Saddle	C14	●		●	●	●
Distressed Slate	C73	●		●	●	●
Distressed Sunset	D50	●		●		
Dove White	DW		●		●	
Dove White Suede	D40		●		●	
Dove White W/Cinder Glaze	B89				●	
Dove White W/Cinder Glaze Suede	E30				●	
Dove White W/Cocoa Glaze	A15				●	
Dove White W/Cocoa Glaze Suede	E31				●	
Fawn	FN					◆
Fawn Suede	D51					●
Ginger	C88	◆		◆	◆	◆
Ginger Suede	C19	●		●	●	●
Ginger W/Sable Glaze	C11	●		●	●	●
Ginger W/Sable Glaze Suede	E15	●		●	●	●
Greyloft	B65	●			●	

		BWC9	BW/DD9	BWH9	BW/M9	SMG9
		Burton Cherry	Burton EverCore™	Burton Hickory	Burton Maple	Burton Oak
Greyloft Suede	D41		●			●
Greyloft W/Sable Glaze	B66					●
Greyloft W/Sable Glaze Suede	E32					●
Honey Spice	HS	◆		◆	◆	◆
Honey Spice Suede	D88	●		●	●	●
Husk	B82	◆		◆		◆
Husk Suede	C13	●		●		●
Kaffé	KA	◆		◆	◆	◆
Kaffé Suede	C27	●		●	●	●
Lagoon	E63		●		●	
Lagoon Suede	E64		●		●	
Linen	D90		●		●	
Linen Suede	D93		●		●	
Linen W/Cinder Glaze	D96				●	
Linen W/Cinder Glaze Suede	E33				●	
Linen W/Cocoa Glaze	D94				●	
Linen W/Cocoa Glaze Suede	E34				●	
Midnight	B69		●		●	
Midnight Suede	D42		●		●	
Midnight W/Onyx Glaze	B70				●	
Midnight W/Onyx Glaze Suede	E35				●	
Molasses	E58	◆		◆	◆	◆
Molasses Suede	E59	●		●	●	●
Moonshine	D98		●		●	
Moonshine Suede	E02		●		●	
Moonshine W/Cinder Glaze	E04				●	
Moonshine W/Cinder Glaze Suede	E36				●	
Moonshine W/Cocoa Glaze	E03				●	
Moonshine W/Cocoa Glaze Suede	E37				●	
Natural	NA	◆		◆	◆	◆
Natural Suede	D89	●		●	●	●
Onyx	A21		●		●	●
Onyx Suede	D44		●		●	●
Pebble Grey	B83		●		●	
Pebble Grey Suede	D45		●		●	
Pebble Grey W/Cocoa Glaze	B84				●	
Pebble Grey W/Cocoa Glaze Suede	E40				●	
Peppercorn	PC	◆			◆	◆
Peppercorn Suede	D53	●			●	●
Praline	PR	◆		◆	◆	◆
Praline Suede	C78	●		●	●	●
Praline W/Onyx Glaze	A45			●	●	
Praline W/Onyx Glaze Suede	E16			●	●	
Saddle	B81	◆		◆	◆	◆
Saddle Suede	C12	●		●	●	●
Slate	B64	◆		◆	◆	◆
Slate Suede	C72	●		●	●	●
Sunset	SU	◆		◆		
Sunset Suede	D49	●		●		
Surfside	E65		●		●	
Surfside Suede	E66		●		●	
Unfinished	UF	◆		◆	◆	◆
Vintage Canvas	VC	●				
Vintage Canvas Suede	E42	●				
Vintage Dove White	VD	●				
Vintage Dove White Suede	E44	●				
Vintage Greyloft	B67	●				
Vintage Greyloft Suede	E45	●				

Burton Finishes continued

❖ Available as Standard

● Premium Upcharge

		Burton Cherry	Burton EverCore™	Burton Hickory	Burton Maple	Burton Oak
		BWC9	BWDD9	BWH9	BWM9	SMG9
Vintage Linen	D91	●				
Vintage Linen Suede	E46	●				
Vintage Midnight	B71	●				
Vintage Midnight Suede	E47	●				
Vintage Moonshine	D99	●				
Vintage Moonshine Suede	E48	●				
Vintage Onyx	VO	●				
Vintage Onyx Suede	E50	●				
Vintage Pebble Grey	B86	●				
Vintage Pebble Grey Suede	E51	●				

Notes

Caparo

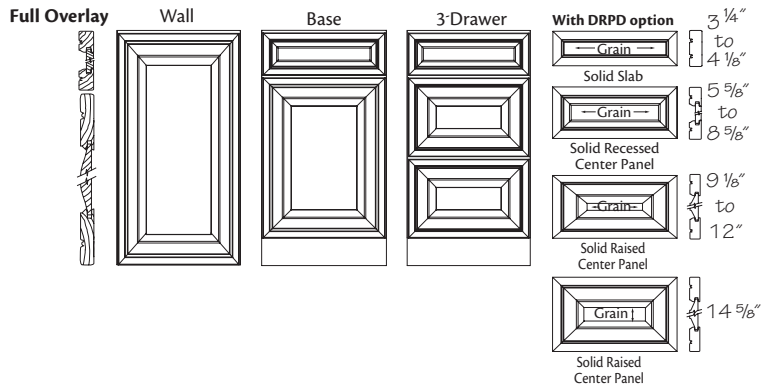
Full Overlay

CRC9 Cherry

Price Column R

CRM9 Maple

Price Column Q



- Solid wood mitered door frame with 3" stiles and rails
- Square solid raised panel on wall and base doors
- Drawer front varies depending on height
- Concealed hinge
- Decorative hardware is required

Decorative Doors & Inserts Available

Aluminum Frame Glass

- Fresco Brushed Aluminum
- Vetro Brushed Aluminum

Camed Glass

- Chateau
- Classic Camed Insert
- Palisades
- Penrose
- Victorian
- Yorkshire

Classic Glass

- Bistro
- Prepared for Glass
- Prism
- Shadow

Etched Glass

- Crossroads
- Lisbon
- Modern Frosted Insert
- Prairie
- Satina

Layered Glass

- Antiquity
- Mirage
- Silk
- Wintersday

Mullion Doors

- Castlegate
- Evansville
- Hewitt
- Showcase Mullion
- Traditional Mullion

Specialty Inserts

- Chalkboard Insert

Textured Glass

- Cascade
- Dolace
- Modern Textured Insert
- Moire
- Ravenna
- Styx
- Vauxhall

Caparo Finishes

- ❖ Available as Standard
- Premium Upcharge

		Caparo Cherry	Caparo Maple
		CRC9	CRM9
Aged Concrete	E06	●	●
Aged Papyrus	E05	●	●
Aged River Rock	E07	●	●
Autumn Blush	AB	❖	
Autumn Blush Suede	C21	●	●
Autumn Blush W/Onyx Glaze	A56	●	●
Autumn Blush W/Onyx Glaze Suede	E10	●	●
Baltic	D78	❖	
Baltic Suede	D80	●	●
Bonsai	E69	●	●
Bonsai Suede	E70	●	●
Burmese	E67	●	●
Burmese Suede	E68	●	●
Cannon Grey	D81	❖	
Cannon Grey Suede	D83	●	●
Canvas	CV	●	●
Canvas Suede	D37	●	●
Canvas W/Cinder Glaze	B90	●	●
Canvas W/Cinder Glaze Suede	E26	●	●
Canvas W/Cocoa Glaze Suede	E27	●	●
Canvas W/Cocoa Glaze	VG	●	●
Chestnut	CN	❖	
Chestnut Suede	C23	●	●
Chestnut W/Onyx Glaze	A54	●	●
Chestnut W/Onyx Glaze Suede	E12	●	●
Chocolate	CC	❖	❖
Chocolate Suede	D87	●	●
Chocolate W/Ebony Glaze	EG	●	●
Chocolate W/Ebony Glaze Suede	E13	●	●
Cinnamon	CA	❖	❖
Cinnamon Suede	C74	●	●
Cinnamon W/Onyx Glaze	A48	●	●
Cinnamon W/Onyx Glaze Suede	E14	●	●
Cognac	CO	❖	❖
Cognac Suede	D85	●	●
Distressed Autumn Blush	C22	●	●
Distressed Baltic	D79	●	●
Distressed Cannon Grey	D82	●	●
Distressed Chestnut	C24	●	●
Distressed Chocolate	D86	●	●
Distressed Cinnamon	C75	●	●
Distressed Cognac	D84	●	●
Distressed Ginger	C20	●	●
Distressed Husk	C15	●	●
Distressed Kaffé	C28	●	●
Distressed Molasses	E60	●	●
Distressed Peppercorn	C86	●	●
Distressed Praline	C79	●	●
Distressed Saddle	C14	●	●
Distressed Slate	C73	●	●
Distressed Sunset	D50	●	●
Dove White	DW	●	●
Dove White Suede	D40	●	●
Dove White W/Cinder Glaze	B89	●	●
Dove White W/Cinder Glaze Suede	E30	●	●
Dove White W/Cocoa Glaze	A15	●	●
Dove White W/Cocoa Glaze Suede	E31	●	●
Ginger	C88	❖	❖
Ginger Suede	C19	●	●
Ginger W/Sable Glaze	C11	●	●
Ginger W/Sable Glaze Suede	E15	●	●
Greyloft	B65	●	●
Greyloft Suede	D41	●	●
Greyloft W/Sable Glaze	B66	●	●
Greyloft W/Sable Glaze Suede	E32	●	●
Honey Spice	HS	❖	❖
Honey Spice Suede	D88	●	●
Husk	B82	❖	
Husk Suede	C13	●	●
Kaffé	KA	❖	❖

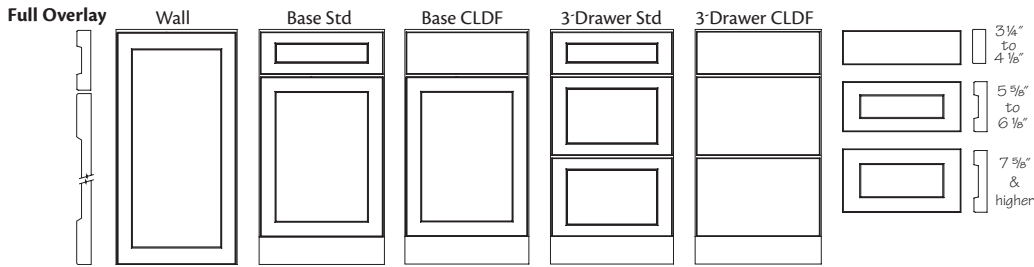
		Caparo Cherry	Caparo Maple
		CRC9	CRM9
Kaffé Suede	C27	●	●
Lagoon	E63	●	●
Lagoon Suede	E64	●	●
Linen	D90	●	●
Linen Suede	D93	●	●
Linen W/Cinder Glaze	D96	●	●
Linen W/Cinder Glaze Suede	E33	●	●
Linen W/Cocoa Glaze	D94	●	●
Linen W/Cocoa Glaze Suede	E34	●	●
Midnight	B69	●	●
Midnight Suede	D42	●	●
Midnight W/Onyx Glaze	B70	●	●
Midnight W/Onyx Glaze Suede	E35	●	●
Molasses	E58	❖	❖
Molasses Suede	E59	●	●
Moonshine	D98	●	●
Moonshine Suede	E02	●	●
Moonshine W/Cinder Glaze	E04	●	●
Moonshine W/Cinder Glaze Suede	E36	●	●
Moonshine W/Cocoa Glaze	E03	●	●
Moonshine W/Cocoa Glaze Suede	E37	●	●
Natural	NA	❖	❖
Natural Suede	D89	●	●
Onyx	A21	●	●
Onyx Suede	D44	●	●
Pebble Grey	B83	●	●
Pebble Grey Suede	D45	●	●
Pebble Grey W/Cocoa Glaze	B84	●	●
Pebble Grey W/Cocoa Glaze Suede	E40	●	●
Peppercorn	PC	❖	❖
Peppercorn Suede	D53	●	●
Praline	PR	❖	❖
Praline Suede	C78	●	●
Praline W/Onyx Glaze	A45	●	●
Praline W/Onyx Glaze Suede	E16	●	●
Saddle	B81	❖	❖
Saddle Suede	C12	●	●
Slate	B64	❖	❖
Slate Suede	C72	●	●
Sunset	SU	❖	
Sunset Suede	D49	●	●
Surfside	E65	●	●
Surfside Suede	E66	●	●
Unfinished	UF	❖	❖
Vintage Canvas	VC	●	●
Vintage Canvas Suede	E42	●	●
Vintage Dove White	VD	●	●
Vintage Dove White Suede	E44	●	●
Vintage Greyloft	B67	●	●
Vintage Greyloft Suede	E45	●	●
Vintage Linen	D91	●	●
Vintage Linen Suede	E46	●	●
Vintage Midnight	B71	●	●
Vintage Midnight Suede	E47	●	●
Vintage Moonshine	D99	●	●
Vintage Moonshine Suede	E48	●	●
Vintage Onyx	VO	●	●
Vintage Onyx Suede	E50	●	●
Vintage Pebble Grey	B86	●	●
Vintage Pebble Grey Suede	E51	●	●

Capri

Full Overlay

WP9 White Thermofoil

Price Column E



- Thermofoil on 3/4" thick MDF substrate
- Square recessed center panel on wall and base doors
- Drawer front varies depending on height
- Classic Drawer Front (CLDF) option available
- Concealed hinge
- Decorative hardware is required
- **Note:** When CLDF option is applied, all drawer fronts will be slab



Remember, all Foil and Thermofoil door styles will have a natural birch interior and a white or cream laminate exterior. Also, the underside of the cabinets are natural birch. To cover the underside, order an Under Cabinet Panel.

Decorative Doors & Inserts Available

Aluminum Frame Glass

- Fresco Brushed Aluminum
- Vetro Brushed Aluminum

Camed Glass

- Chateau
- Classic Camed Insert
- Palisades
- Penrose
- Victorian
- Yorkshire

Classic Glass

- Bistro
- Prepared for Glass
- Prism
- Shadow

Etched Glass

- Crossroads
- Lisbon
- Modern Frosted Insert
- Prairie
- Satina

Layered Glass

- Antiquity
- Mirage
- Silk
- Wintersday

Mullion Doors

- Traditional Mullion

Specialty Inserts

- Chalkboard Insert

Textured Glass

- Cascade
- Dolace
- Modern Textured Insert
- Moire
- Ravenna
- Styx
- Vauxhall

Capri Finishes

- ❖ Available as Standard
- Premium Upcharge

White WH

❖	Capri White
●	WP9

Carlin

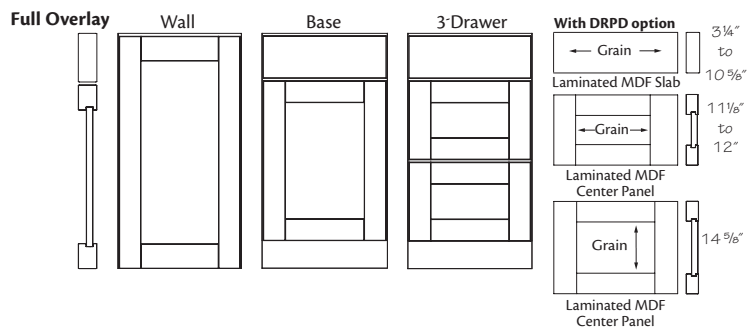
Full Overlay

AH3L9 Cannon Grey Wood-Grain Foil

Price Column E

AH3W9 Dove White Wood-Grain Foil

Price Column E



- Thermofoil door with 3 1/8" stiles and rails
- Recessed center panel door with vertical grain orientation
- Five-piece mortise and tenon door design with foil wrapped lineal pieces and banded edges
- Doors on 6" wide cabinets will be a slab design with vertical grain orientation
- Drawer fronts 3 1/4" to 10 5/8" will be slab
- Drawer fronts 11 1/8" to 14 5/8" will be five-piece
- Concealed hinge
- Decorative hardware is required
- **Note:** Cabinet box and most accessories will have a coordinating smooth white finish for Dove White Wood-Grain Foil or an oak texture finish for Cannon Grey Wood-Grain Foil door styles; select accessories will be offered in matching foil material (refer to individual items for specific details)

Decorative Doors & Inserts Available

Aluminum Frame Glass

- Fresco Brushed Aluminum
- Vetro Brushed Aluminum

Camed Glass

- Chateau
- Classic Camed Insert
- Palisades
- Penrose
- Victorian
- Yorkshire

Classic Glass

- Bistro
- Prepared for Glass
- Prism
- Shadow

Etched Glass

- Crossroads
- Lisbon
- Modern Frosted Insert
- Prairie
- Satina

Layered Glass

- Antiquity
- Mirage
- Silk
- Wintersday

Specialty Inserts

- Chalkboard Insert

Textured Glass

- Cascade
- Dolace
- Modern Textured Insert
- Moire
- Ravenna
- Styx
- Vauxhall

Carlin Finishes

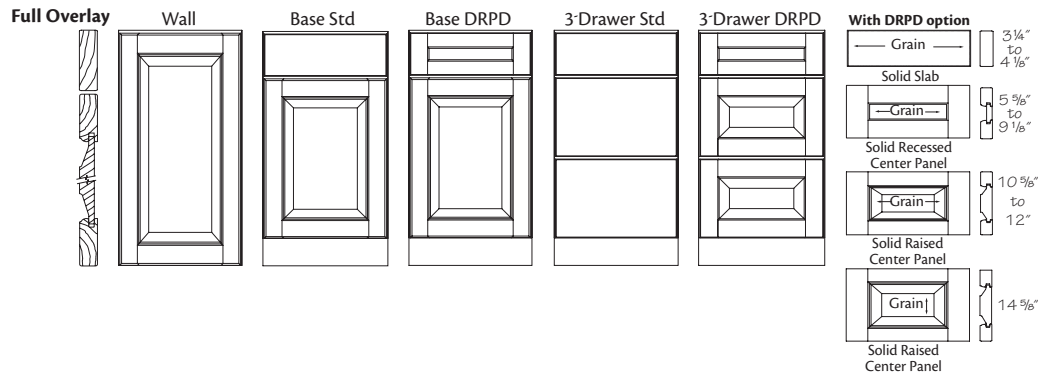
- ❖ Available as Standard
- Premium Upcharge

		Carlin Cannon Grey	AH3L9
		Carlin Dove White	AH3W9
Cannon Grey Wood Grain	D810	❖	
Dove White Wood Grain	WH	❖	

Cimmaron

Full Overlay

WLCC9	Cherry	Price Column M
WLM9	Maple	Price Column L
WLO9	Oak	Price Column J
WLA9	Rustic Alder	Price Column J
DAH9	Rustic Hickory	Price Column K



- Solid wood door frame with 2 3/4" stiles and rails
- Square solid raised panel on wall and base doors
- Slab drawer front
- Deluxe Raised Panel Drawer (DRPD) front available
- Concealed hinge
- Decorative hardware is required
- **Note:** Rustic door styles feature knotty or character wood. It contains character marks such as heartwood, worm holes and mineral streaks of varying size. Components of these doors are chosen at random, with the appearance of each individual door varying widely from very rustic to relatively clear and unmarked

Decorative Doors & Inserts Available

Aluminum Frame Glass

- Fresco Brushed Aluminum
- Vetro Brushed Aluminum

Camed Glass

- Chateau
- Classic Camed Insert
- Palisades
- Penrose
- Victorian
- Yorkshire

Classic Glass

- Bistro
- Prepared for Glass
- Prism
- Shadow

Etched Glass

- Crossroads
- Lisbon
- Modern Frosted Insert
- Prairie
- Satina

Layered Glass

- Antiquity
- Mirage
- Silk
- Wintersday

Mullion Doors

- Castlegate ▲
- Evansville ▲
- Hewitt ▲
- Showcase Mullion ▲
- Traditional Mullion ▲

Specialty Inserts

- Chalkboard Insert

Textured Glass

- Cascade
- Dolace
- Modern Textured Insert
- Moire
- Ravenna
- Styx
- Vauxhall

▲ Only available in Cherry, Maple & Oak door styles

Cimmaron Finishes

- ❖ Available as Standard
- Premium Upcharge

		WLC9	WLM9	WLO9	WLA9	DAH9
		Cimmaron Cherry	Cimmaron Maple	Cimmaron Oak	Cimmaron Rustic Alder	Cimmaron Rustic Hickory
Aged Concrete	E06	●				
Aged Papyrus	E05	●				
Aged River Rock	E07	●				
Autumn Blush	AB	❖		❖	❖	
Autumn Blush Suede	C21	●		●	●	
Autumn Blush W/Onyx Glaze	A56	●		●	●	
Autumn Blush W/Onyx Glaze Suede	E10	●		●	●	
Baltic	D78	❖		❖	❖	
Baltic Suede	D80	●		●	●	
Bonsai	E69		●			
Bonsai Suede	E70		●			
Burmese	E67		●			
Burmese Suede	E68		●			
Cannon Grey	D81	❖		❖	❖	
Cannon Grey Suede	D83	●		●	●	
Canvas	CV		●			
Canvas Suede	D37		●			
Canvas W/Cinder Glaze	B90		●			
Canvas W/Cinder Glaze Suede	E26		●			
Canvas W/Cocoa Glaze Suede	E27		●			
Canvas W/Cocoa Glaze	VG		●			
Chestnut	CN		❖			
Chestnut Suede	C23		●			
Chestnut W/Onyx Glaze	A54		●			
Chestnut W/Onyx Glaze Suede	E12		●			
Chocolate	CC	❖	❖		❖	
Chocolate Suede	D87	●	●		●	
Chocolate W/Ebony Glaze	EG		●		●	
Chocolate W/Ebony Glaze Suede	E13		●		●	
Cinnamon	CA	❖	❖		❖	
Cinnamon Suede	C74	●	●		●	
Cinnamon W/Onyx Glaze	A48	●	●		●	
Cinnamon W/Onyx Glaze Suede	E14	●	●		●	
Cognac	CO	❖	❖	❖	❖	❖
Cognac Suede	D85	●	●	●	●	●
Distressed Autumn Blush	C22	●		●	●	
Distressed Baltic	D79	●		●	●	
Distressed Cannon Grey	D82	●		●	●	
Distressed Chestnut	C24		●			
Distressed Chocolate	D86	●	●		●	
Distressed Cinnamon	C75	●	●		●	
Distressed Cognac	D84	●	●	●	●	●
Distressed Fawn	D52			●		
Distressed Ginger	C20	●	●	●	●	●
Distressed Husk	C15	●	●	●	●	●
Distressed Kaffé	C28	●	●	●	●	●
Distressed Molasses	E60	●	●	●	●	●
Distressed Peppercorn	C86	●	●	●	●	●
Distressed Praline	C79	●	●	●	●	●
Distressed Saddle	C14	●	●	●	●	●
Distressed Slate	C73	●	●	●	●	●
Distressed Sunset	D50	●			●	●
Dove White	DW		●			
Dove White Suede	D40		●			
Dove White W/Cinder Glaze	B89		●			
Dove White W/Cinder Glaze Suede	E30		●			
Dove White W/Cocoa Glaze	A15		●			
Dove White W/Cocoa Glaze Suede	E31		●			
Fawn	FN			❖		
Fawn Suede	D51			●		
Ginger	C88	❖	❖	❖	❖	❖
Ginger Suede	C19	●	●	●	●	●

		WLC9	WLM9	WLO9	WLA9	DAH9
		Cimmaron Cherry	Cimmaron Maple	Cimmaron Oak	Cimmaron Rustic Alder	Cimmaron Rustic Hickory
Ginger W/Sable Glaze	C11	●	●	●	●	●
Ginger W/Sable Glaze Suede	E15	●	●	●	●	●
Greyloft	B65		●			
Greyloft Suede	D41		●			
Greyloft W/Sable Glaze	B66		●			
Greyloft W/Sable Glaze Suede	E32		●			
Honey Spice	HS	❖	❖	❖	❖	❖
Honey Spice Suede	D88	●	●	●	●	●
Husk	B82	❖		❖	❖	❖
Husk Suede	C13	●		●	●	●
Kaffé	KA	❖	❖	❖	❖	❖
Kaffé Suede	C27	●	●	●	●	●
Lagoon	E63		●			
Lagoon Suede	E64		●			
Linen	D90		●			
Linen Suede	D93		●			
Linen W/Cinder Glaze	D96		●			
Linen W/Cinder Glaze Suede	E33		●			
Linen W/Cocoa Glaze	D94		●			
Linen W/Cocoa Glaze Suede	E34		●			
Midnight	B69		●			
Midnight Suede	D42		●			
Midnight W/Onyx Glaze	B70		●			
Midnight W/Onyx Glaze Suede	E35		●			
Molasses	E58	❖	❖	❖	❖	❖
Molasses Suede	E59	●	●	●	●	●
Moonshine	D98		●			
Moonshine Suede	E02		●			
Moonshine W/Cinder Glaze	E04		●			
Moonshine W/Cinder Glaze Suede	E36		●			
Moonshine W/Cocoa Glaze	E03		●			
Moonshine W/Cocoa Glaze Suede	E37		●			
Natural	NA	❖	❖	❖	❖	❖
Natural Suede	D89	●	●	●	●	●
Onyx	A21		●			
Onyx Suede	D44		●			
Pebble Grey	B83		●			
Pebble Grey Suede	D45		●			
Pebble Grey W/Cocoa Glaze	B84		●			
Pebble Grey W/Cocoa Glaze Suede	E40		●			
Peppercorn	PC	❖	❖	❖	❖	❖
Peppercorn Suede	D53	●	●	●	●	●
Praline	PR	❖	❖	❖	❖	❖
Praline Suede	C78	●	●	●	●	●
Praline W/Onyx Glaze	A45		●			●
Praline W/Onyx Glaze Suede	E16		●			●
Saddle	B81	❖	❖	❖	❖	❖
Saddle Suede	C12	●	●	●	●	●
Slate	B64	❖	❖	❖	❖	❖
Slate Suede	C72	●	●	●		●
Sunset	SU	❖			❖	❖
Sunset Suede	D49	●			●	●
Surfside	E65		●			
Surfside Suede	E66		●			
Unfinished	UF	❖	❖	❖	❖	❖

Cimmaron Finishes continued

- ❖ Available as Standard
- Premium Upcharge

		Cimmaron Cherry	Cimmaron Maple	Cimmaron Oak	Cimmaron Rustic Alder	Cimmaron Rustic Hickory
		WLCC9	WLM9	WLO9	WLA9	DAH9
Vintage Canvas	VC	●				
Vintage Canvas Suede	E42	●				
Vintage Dove White	VD	●				
Vintage Dove White Suede	E44	●				
Vintage Greyloft	B67	●				
Vintage Greyloft Suede	E45	●				
Vintage Linen	D91	●				
Vintage Linen Suede	E46	●				
Vintage Midnight	B71	●				
Vintage Midnight Suede	E47	●				
Vintage Moonshine	D99	●				
Vintage Moonshine Suede	E48	●				
Vintage Onyx	VO	●				
Vintage Onyx Suede	E50	●				
Vintage Pebble Grey	B86	●				
Vintage Pebble Grey Suede	E51	●				

Notes

Coleson

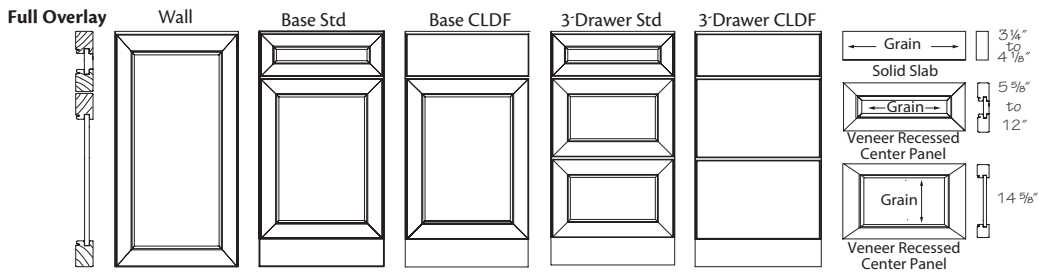
Full Overlay

AC1C9 Cherry

Price Column K

AC1M9 Maple

Price Column J



- Solid wood mitered door frame with 2 5/8" stiles and rails
- Square veneer recessed panel on wall and base doors
- Five-piece drawer front
- Classic Drawer Front (CLDF) option available
- Concealed hinge
- Decorative hardware is required
- **Note:** When CLDF option is applied, all drawer fronts will be slab

Decorative Doors & Inserts Available

Aluminum Frame Glass

- Fresco Brushed Aluminum
- Vetro Brushed Aluminum

Camed Glass

- Chateau
- Classic Camed Insert
- Palisades
- Penrose
- Victorian
- Yorkshire

Classic Glass

- Bistro
- Prepared for Glass
- Prism
- Shadow

Etched Glass

- Crossroads
- Lisbon
- Modern Frosted Insert
- Prairie
- Satina

Layered Glass

- Antiquity
- Mirage
- Silk
- Wintersday

Mullion Doors

- Castlegate
- Evansville
- Hewitt
- Showcase Mullion
- Traditional Mullion

Specialty Inserts

- Chalkboard Insert

Textured Glass

- Cascade
- Dolace
- Modern Textured Insert
- Moire
- Ravenna
- Styx
- Vauxhall

Coleson Finishes

- ❖ Available as Standard
- Premium Upcharge

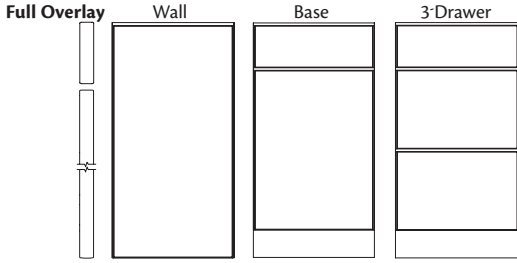
		Coleson Cherry	Coleson Maple
Autumn Blush	AB	❖	
Autumn Blush Suede	C21	●	
Autumn Blush W/Onyx Glaze	A56	●	
Autumn Blush W/Onyx Glaze Suede	E10	●	
Baltic	D78	❖	
Baltic Suede	D80	●	
Bonsai	E69		●
Bonsai Suede	E70		●
Burmese	E67		●
Burmese Suede	E68		●
Cannon Grey	D81	❖	
Cannon Grey Suede	D83	●	
Canvas	CV		●
Canvas Suede	D37		●
Canvas W/Cinder Glaze	B90		●
Canvas W/Cinder Glaze Suede	E26		●
Canvas W/Cocoa Glaze Suede	E27		●
Canvas W/Cocoa Glaze	VG		●
Chestnut	CN	❖	
Chestnut Suede	C23		●
Chestnut W/Onyx Glaze	A54		●
Chestnut W/Onyx Glaze Suede	E12		●
Chocolate	CC	❖	❖
Chocolate Suede	D87	●	●
Chocolate W/Ebony Glaze	EG		●
Chocolate W/Ebony Glaze Suede	E13		●
Cinnamon	CA	❖	❖
Cinnamon Suede	C74	●	●
Cinnamon W/Onyx Glaze	A48	●	●
Cinnamon W/Onyx Glaze Suede	E14	●	●
Cognac	CO	❖	❖
Cognac Suede	D85	●	●
Dove White	DW		●
Dove White Suede	D40		●
Dove White W/Cinder Glaze	B89		●
Dove White W/Cinder Glaze Suede	E30		●
Dove White W/Cocoa Glaze	A15		●
Dove White W/Cocoa Glaze Suede	E31		●
Ginger	C88	❖	❖
Ginger Suede	C19	●	●
Ginger W/Sable Glaze	C11	●	●
Ginger W/Sable Glaze Suede	E15	●	●
Greyloft	B65		●
Greyloft Suede	D41		●
Greyloft W/Sable Glaze	B66		●
Greyloft W/Sable Glaze Suede	E32		●
Honey Spice	HS	❖	❖
Honey Spice Suede	D88	●	●
Husk	B82	❖	
Husk Suede	C13	●	
Kaffé	KA	❖	❖
Kaffé Suede	C27	●	●
Lagoon	E63		●
Lagoon Suede	E64		●
Linen	D90		●
Linen Suede	D93		●
Linen W/Cinder Glaze	D96		●
Linen W/Cinder Glaze Suede	E33		●
Linen W/Cocoa Glaze	D94		●
Linen W/Cocoa Glaze Suede	E34		●
Midnight	B69		●

		Coleson Cherry	Coleson Maple
Midnight Suede	D42		●
Midnight W/Onyx Glaze	B70		●
Midnight W/Onyx Glaze Suede	E35		●
Molasses	E58	❖	❖
Molasses Suede	E59	●	●
Moonshine	D98		●
Moonshine Suede	E02		●
Moonshine W/Cinder Glaze	E04		●
Moonshine W/Cinder Glaze Suede	E36		●
Moonshine W/Cocoa Glaze	E03		●
Moonshine W/Cocoa Glaze Suede	E37		●
Natural	NA	❖	❖
Natural Suede	D89	●	●
Onyx	A21		●
Onyx Suede	D44		●
Pebble Grey	B83		●
Pebble Grey Suede	D45		●
Pebble Grey W/Cocoa Glaze	B84		●
Pebble Grey W/Cocoa Glaze Suede	E40		●
Peppercorn	PC	❖	❖
Peppercorn Suede	D53	●	●
Praline	PR	❖	❖
Praline Suede	C78	●	●
Praline W/Onyx Glaze	A45		●
Praline W/Onyx Glaze Suede	E16		●
Saddle	B81	❖	❖
Saddle Suede	C12	●	●
Slate	B64	❖	❖
Slate Suede	C72	●	●
Sunset	SU	❖	
Sunset Suede	D49		●
Surfside	E65		●
Surfside Suede	E66		●
Unfinished	UF	❖	❖

Epic

Full Overlay

MLC9	Cherry	Price Column L
MLD9	EverCore™	Price Column H
MLM9	Maple	Price Column J



- Solid slab on wall and base doors
- Slab drawer front
- Wood grain orientation is vertical on door and horizontal on drawer front; **not** book matched between pieces
- Concealed hinge
- Decorative hardware is required

Decorative Doors & Inserts Available

Aluminum Frame Glass

- Fresco Brushed Aluminum
- Vetro Brushed Aluminum

Camed Glass

- Chateau
- Classic Camed Insert
- Palisades
- Penrose
- Victorian
- Yorkshire

Classic Glass

- Bistro
- Prepared for Glass
- Prism
- Shadow

Etched Glass

- Crossroads
- Lisbon
- Modern Frosted Insert
- Prairie
- Satina

Layered Glass

- Antiquity
- Mirage
- Silk
- Wintersday

Mullion Doors

- Castlegate ★
- Evansville ★
- Hewitt ★
- Palladia ★
- Raleigh ★
- Showcase Mullion ★
- Traditional Mullion ★

Specialty Inserts

- Chalkboard Insert

Textured Glass

- Cascade
- Dolace
- Modern Textured Insert
- Moire
- Ravenna
- Styx
- Vauxhall

★ **Not** available in EverCore™ door styles

Epic Finishes

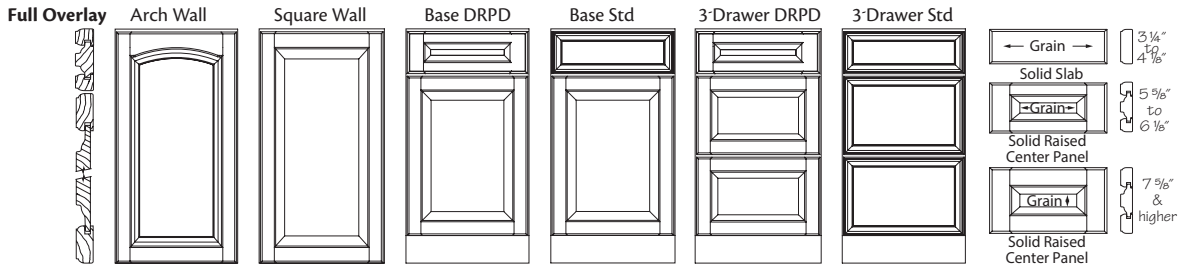
- ◆ Available as Standard
- Premium Upcharge

		MLC9	MLD9	MLM9
		Epic Cherry	Epic EverCore™	Epic Maple
Aged Concrete	E06			●
Aged Papyrus	E05			●
Aged River Rock	E07			●
Autumn Blush	AB	◆		
Autumn Blush Suede	C21	●		
Baltic	D78	◆		
Baltic Suede	D80	●		
Bonsai	E69		●	●
Bonsai Suede	E70		●	●
Burmese	E67		●	●
Burmese Suede	E68		●	●
Cannon Grey	D81	◆		
Cannon Grey Suede	D83	●		
Canvas	CV		●	●
Canvas Suede	D37		●	●
Chestnut	CN			◆
Chestnut Suede	C23			●
Chocolate	CC	◆		◆
Chocolate Suede	D87	●		●
Cinnamon	CA	◆		◆
Cinnamon Suede	C74	●		●
Cognac	CO	◆		◆
Cognac Suede	D85	●		●
Dove White	DW		●	●
Dove White Suede	D40		●	●
Ginger	C88	◆		◆
Ginger Suede	C19	●		●
Greyloft	B65		●	●
Greyloft Suede	D41		●	●
Honey Spice	HS	◆		◆
Honey Spice Suede	D88	●		●
Husk	B82	◆		
Husk Suede	C13	●		
Kaffé	KA	◆		◆
Kaffé Suede	C27	●		●
Lagoon	E63		●	●
Lagoon Suede	E64		●	●
Linen	D90		●	●
Linen Suede	D93		●	●
Midnight	B69		●	●
Midnight Suede	D42		●	●
Molasses	E58	◆		◆
Molasses Suede	E59	●		●
Moonshine	D98		●	●
Moonshine Suede	E02		●	●
Natural	NA	◆		◆
Natural Suede	D89	●		●
Onyx	A21		●	●
Onyx Suede	D44		●	●
Pebble Grey	B83		●	●
Pebble Grey Suede	D45		●	●
Peppercorn	PC	◆		◆
Peppercorn Suede	D53	●		●
Praline	PR	◆		◆
Praline Suede	C78	●		●
Saddle	B81	◆		◆
Saddle Suede	C12	●		●
Slate	B64	◆		◆
Slate Suede	C72	●		●
Sunset	SU	◆		
Sunset Suede	D49	●		
Surfside	E65		●	●
Surfside Suede	E66		●	●
Unfinished	UF	◆		◆

Fairlane

Full Overlay

PWC9	Cherry Arch	Price Column L
MTC9	Cherry Square	Price Column L
PWD9	EverCore™ Arch	Price Column H
MTD9	EverCore™ Square	Price Column H
PWH9	Hickory Arch	Price Column H
MTH9	Hickory Square	Price Column H
PWM9	Maple Arch	Price Column I
MTM9	Maple Square	Price Column I
PWO9	Oak Arch	Price Column H
MTO9	Oak Square	Price Column H
MTA9	Rustic Alder Square	Price Column I



- Solid wood door frame with 2 3/16" stiles and rails, except EverCore™, which will be mechanically compressed wood fiber
- Square design has solid raised panels on wall and base doors, except EverCore™, which will be mechanically compressed wood fiber
- Arch design has arched solid raised panels on wall doors only, except EverCore™, which will be mechanically compressed wood fiber; base doors will be square
- Grain direction does **not** apply to EverCore™ doors
- Drawer front varies depending on height
- Deluxe Raised Panel Drawer (DRPD) front available
- Concealed hinge
- Decorative Hardware is required for full overlay
- **Note:** Rustic door styles feature knotty or character wood. It contains character marks such as heartwood, worm holes and mineral streaks of varying size. Components of these doors are chosen at random, with the appearance of each individual door varying widely from very rustic to relatively clear and unmarked

Decorative Doors & Inserts Available

Aluminum Frame Glass

- Fresco Brushed Aluminum
- Vetro Brushed Aluminum

Camed Glass

- Chateau
- Classic Camed Insert
- Palisades
- Penrose
- Victorian
- Yorkshire

Classic Glass

- Bistro
- Prepared for Glass
- Prism ●
- Shadow

Etched Glass

- Crossroads
- Lisbon
- Modern Frosted Insert ●
- Prairie
- Satina

Layered Glass

- Antiquity
- Mirage
- Silk
- Wintersday

Mullion Doors

- Castlegate ★
- Evansville ★
- Hewitt ★
- Palladia ▲
- Raleigh ▲
- Showcase Mullion ★
- Traditional Mullion ★

Specialty Inserts

- Chalkboard Insert

Textured Glass

- Cascade
- Dolace
- Modern Textured Insert
- Moire
- Ravenna
- Styx
- Vauxhall

- **Not** available in Arch door styles
- ▲ **Only** available in Cherry & Maple door styles
- ★ **Not** available in EverCore™ or Rustic door styles

Fairlane Finishes

- ❖ Available as Standard
- Premium Upcharge

		PWC9	MTC9	PWD9	MTD9	PWH9	MTH9	PWM9	MTM9	PWO9	MTO9	MTA9
		Fairlane Cherry Arch	Fairlane Cherry Square	Fairlane EverCore™ Arch	Fairlane EverCore™ Square	Fairlane Hickory Arch	Fairlane Hickory Square	Fairlane Maple Arch	Fairlane Maple Square	Fairlane Oak Arch	Fairlane Oak Square	Fairlane Rustic Alder Square
Aged Concrete	E06							●	●			
Aged Papyrus	E05							●	●			
Aged River Rock	E07							●	●			
Autumn Blush	AB	❖	❖							❖	❖	❖
Autumn Blush Suede	C21	●	●									●
Autumn Blush W/Onyx Glaze	A56	●	●							●	●	●
Autumn Blush W/Onyx Glaze Suede	E10	●	●							●	●	●
Baltic	D78	❖	❖							❖	❖	❖
Baltic Suede	D80	●	●							●	●	●
Bonsai	E69			●	●			●	●			
Bonsai Suede	E70			●	●			●	●			
Burmese	E67			●	●			●	●			
Burmese Suede	E68			●	●			●	●			
Cannon Grey	D81	❖	❖							❖	❖	❖
Cannon Grey Suede	D83	●	●							●	●	●
Canvas	CV			●	●			●	●			
Canvas Suede	D37			●	●			●	●			
Canvas W/Cinder Glaze	B90							●	●			
Canvas W/Cinder Glaze Suede	E26							●	●			
Canvas W/Cocoa Glaze	E27							●	●			
Canvas W/Cocoa Glaze Suede	VG							●	●			
Chestnut	CN							❖	❖			
Chestnut Suede	C23							●	●			
Chestnut W/Onyx Glaze	A54							●	●			
Chestnut W/Onyx Glaze Suede	E12							●	●			
Chocolate	CC	❖	❖					❖	❖			❖
Chocolate Suede	D87	●	●					●	●			●
Chocolate W/Ebony Glaze	EG	●	●									●
Chocolate W/Ebony Glaze Suede	E13	●	●									●
Cinnamon	CA	❖	❖					❖	❖			❖
Cinnamon Suede	C74	●	●					●	●			●
Cinnamon W/Onyx Glaze	A48	●	●					●	●			●
Cinnamon W/Onyx Glaze Suede	E14	●	●					●	●			●
Cognac	CO	❖	❖			❖	❖	❖	❖	❖	❖	❖
Cognac Suede	D85	●	●			●	●	●	●	●	●	●
Distressed Autumn Blush	C22	●	●							●	●	●
Distressed Baltic	D79	●	●							●	●	●
Distressed Cannon Grey	D82	●	●							●	●	●
Distressed Chestnut	C24							●	●			
Distressed Chocolate	D86	●	●					●	●			●
Distressed Cinnamon	C75	●	●					●	●			●
Distressed Cognac	D84	●	●			●	●	●	●	●	●	●
Distressed Fawn	D52									●	●	
Distressed Ginger	C20	●	●			●	●	●	●	●	●	●
Distressed Husk	C15	●	●			●	●	●	●	●	●	●
Distressed Kaffé	C28	●	●			●	●	●	●	●	●	●
Distressed Molasses	E60	●	●			●	●	●	●	●	●	●
Distressed Peppercorn	C86	●	●					●	●	●	●	●
Distressed Praline	C79	●	●			●	●	●	●	●	●	●
Distressed Saddle	C14	●	●			●	●	●	●	●	●	●
Distressed Slate	C73	●	●			●	●	●	●	●	●	●
Distressed Sunset	D50	●	●			●	●					●
Dove White	DW			●	●			●	●			
Dove White Suede	D40			●	●			●	●			
Dove White W/Cinder Glaze	B89							●	●			
Dove White W/Cinder Glaze Suede	E30							●	●			
Dove White W/Cocoa Glaze	A15							●	●			
Dove White W/Cocoa Glaze Suede	E31							●	●			

Fairlane Finishes continued

❖ Available as Standard

● Premium Upcharge

		PWC9	MTC9	PWD9	MTD9	PWH9	MTH9	PWM9	MTM9	PWO9	MTO9	MTA9
		Fairlane Cherry Arch	Fairlane Cherry Square	Fairlane EverCore™ Arch	Fairlane EverCore™ Square	Fairlane Hickory Arch	Fairlane Hickory Square	Fairlane Maple Arch	Fairlane Maple Square	Fairlane Oak Arch	Fairlane Oak Square	Fairlane Rustic Alder Square
Fawn	FN											
Fawn Suede	D51									●	●	
Ginger	C88	❖	❖			❖	❖	❖	❖	❖	❖	❖
Ginger Suede	C19	●	●			●	●	●	●	●	●	●
Ginger W/Sable Glaze	C11	●	●			●	●	●	●	●	●	●
Ginger W/Sable Glaze Suede	E15	●	●			●	●	●	●	●	●	●
Greyloft	B65			●	●			●	●			
Greyloft Suede	D41			●	●			●	●			
Greyloft W/Sable Glaze	B66							●	●			
Greyloft W/Sable Glaze Suede	E32							●	●			
Honey Spice	HS	❖	❖			❖	❖	❖	❖	❖	❖	❖
Honey Spice Suede	D88	●	●			●	●	●	●	●	●	●
Husk	B82	❖	❖			❖	❖			❖	❖	❖
Husk Suede	C13	●	●			●	●			●	●	●
Kaffé	KA	❖	❖			❖	❖	❖	❖	❖	❖	❖
Kaffé Suede	C27	●	●			●	●	●	●	●	●	●
Lagoon	E63			●	●			●	●			
Lagoon Suede	E64			●	●			●	●			
Linen	D90			●	●			●	●			
Linen Suede	D93			●	●			●	●			
Linen W/Cinder Glaze	D96							●	●			
Linen W/Cinder Glaze Suede	E33							●	●			
Linen W/Cocoa Glaze	D94							●	●			
Linen W/Cocoa Glaze Suede	E34							●	●			
Midnight	B69			●	●			●	●			
Midnight Suede	D42			●	●			●	●			
Midnight W/Onyx Glaze	B70							●	●			
Midnight W/Onyx Glaze Suede	E35							●	●			
Molasses	E58	❖	❖			❖	❖	❖	❖	❖	❖	❖
Molasses Suede	E59	●	●			●	●	●	●	●	●	●
Moonshine	D98			●	●			●	●			
Moonshine Suede	E02			●	●			●	●			
Moonshine W/Cinder Glaze	E04							●	●			
Moonshine W/Cinder Glaze Suede	E36							●	●			
Moonshine W/Cocoa Glaze	E03							●	●			
Moonshine W/Cocoa Glaze Suede	E37							●	●			
Natural	NA	❖	❖			❖	❖	❖	❖	❖	❖	❖
Natural Suede	D89	●	●			●	●	●	●	●	●	●
Onyx	A21			●	●			●	●	●	●	●
Onyx Suede	D44			●	●			●	●	●	●	●
Pebble Grey	B83			●	●			●	●			
Pebble Grey Suede	D45			●	●			●	●			
Pebble Grey W/Cocoa Glaze	B84							●	●			
Pebble Grey W/Cocoa Glaze Suede	E40							●	●			
Peppercorn	PC	❖	❖					❖	❖	❖	❖	❖
Peppercorn Suede	D53	●	●					●	●	●	●	●
Praline	PR	❖	❖			❖	❖	❖	❖	❖	❖	❖
Praline Suede	C78	●	●			●	●	●	●	●	●	●
Praline W/Onyx Glaze	A45					●	●	●	●			
Praline W/Onyx Glaze Suede	E16					●	●	●	●			
Saddle	B81	❖	❖			❖	❖	❖	❖	❖	❖	❖
Saddle Suede	C12	●	●			●	●	●	●	●	●	●
Slate	B64	❖	❖			❖	❖	❖	❖	❖	❖	❖
Slate Suede	C72	●	●			●	●	●	●	●	●	●
Sunset	SU	❖	❖			❖	❖					❖
Sunset Suede	D49	●	●			●	●					●
Surfside	E65			●	●			●	●			
Surfside Suede	E66			●	●			●	●			
Unfinished	UF	❖	❖			❖	❖	❖	❖	❖	❖	❖
Vintage Canvas	VC	●	●									

Fairlane Finishes continued

❖ Available as Standard

● Premium Upcharge

		PWC9	MTC9	PWD9	MTD9	PWH9	MTH9	PWM9	MTM9	PWO9	MTO9	MTA9
		Fairlane Cherry Arch	Fairlane Cherry Square	Fairlane EverCore™ Arch	Fairlane EverCore™ Square	Fairlane Hickory Arch	Fairlane Hickory Square	Fairlane Maple Arch	Fairlane Maple Square	Fairlane Oak Arch	Fairlane Oak Square	Fairlane Rustic Alder Square
Vintage Canvas Suede	E42	●	●									
Vintage Dove White	VD	●	●									
Vintage Dove White Suede	E44	●	●									
Vintage Greyloft	B67	●	●									
Vintage Greyloft Suede	E45	●	●									
Vintage Linen	D91	●	●									
Vintage Linen Suede	E46	●	●									
Vintage Midnight	B71	●	●									
Vintage Midnight Suede	E47	●	●									
Vintage Moonshine	D99	●	●									
Vintage Moonshine Suede	E48	●	●									
Vintage Onyx	VO	●	●									
Vintage Onyx Suede	E50	●	●									
Vintage Pebble Grey	B86	●	●									
Vintage Pebble Grey Suede	E51	●	●									

Fallon

Full Overlay

AH7C9 Cherry

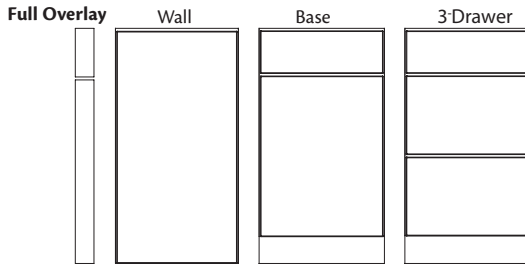
Price Column H

AH7M9 Maple

Price Column G

AH7O9 Oak

Price Column F



- Slab design has veneer slab on wall and base doors
- Slab drawer front
- Wood grain orientation is vertical on door and horizontal on drawer front; **not** book matched between pieces
- Concealed hinge
- Decorative hardware is required
- **Note:** Doors and drawer fronts are created using veneer components from various logs of the same specie and are arranged in a deliberate mismatched manner to achieve a natural solid wood effect

Decorative Doors & Inserts Available

Aluminum Frame Glass

- Fresco Brushed Aluminum
- Vetro Brushed Aluminum

Camed Glass

- Chateau
- Classic Camed Insert
- Palisades
- Penrose
- Victorian
- Yorkshire

Classic Glass

- Bistro
- Prepared for Glass
- Prism
- Shadow

Etched Glass

- Crossroads
- Lisbon
- Modern Frosted Insert
- Prairie
- Satina

Layered Glass

- Antiquity
- Mirage
- Silk
- Wintersday

Specialty Inserts

- Chalkboard Insert

Textured Glass

- Cascade
- Dolace
- Modern Textured Insert
- Moire
- Ravenna
- Styx
- Vauxhall

Fallon Finishes

❖ Available as Standard
● Premium Upcharge

		AH7C9	AH7M9	AH7O9
		Fallon Cherry	Fallon Maple	Fallon Oak
Autumn Blush	AB	❖		❖
Autumn Blush Suede	C21	●		●
Baltic	D78	❖		❖
Baltic Suede	D80	●		●
Bonsai	E69		●	
Bonsai Suede	E70		●	
Burmese	E67		●	
Burmese Suede	E68		●	
Cannon Grey	D81	❖		❖
Cannon Grey Suede	D83	●		●
Cannon Grey Wood Grain	D81O			
Canvas	CV		●	
Canvas Suede	D37		●	
Chestnut	CN	❖		
Chestnut Suede	C23		●	
Chocolate	CC	❖	❖	
Chocolate Suede	D87	●	●	
Cinnamon	CA	❖	❖	
Cinnamon Suede	C74	●	●	
Cognac	CO	❖	❖	❖
Cognac Suede	D85	●	●	●
Dove White	DW		●	
Dove White Suede	D40		●	
Fawn	FN			❖
Fawn Suede	D51			●
Ginger	C88	❖	❖	❖
Ginger Suede	C19	●	●	●
Greyloft	B65		●	
Greyloft Suede	D41		●	
Honey Spice	HS	❖	❖	❖
Honey Spice Suede	D88	●	●	●
Husk	B82	❖		❖
Husk Suede	C13	●		●
Kaffé	KA	❖	❖	❖
Kaffé Suede	C27	●	●	●
Lagoon	E63		●	
Lagoon Suede	E64		●	
Linen	D90		●	
Linen Suede	D93		●	
Midnight	B69		●	
Midnight Suede	D42		●	
Molasses	E58	❖	❖	❖
Molasses Suede	E59	●	●	●
Moonshine	D98		●	
Moonshine Suede	E02		●	
Natural	NA	❖	❖	❖
Natural Suede	D89	●	●	●
Onyx	A21		●	●
Onyx Suede	D44		●	●
Pebble Grey	B83		●	
Pebble Grey Suede	D45		●	
Peppercorn	PC	❖	❖	❖
Peppercorn Suede	D53	●	●	●
Praline	PR	❖	❖	❖
Praline Suede	C78	●	●	●
Saddle	B81	❖	❖	❖
Saddle Suede	C12	●	●	●
Slate	B64	❖	❖	❖
Slate Suede	C72	●	●	●
Sunset	SU	❖		
Sunset Suede	D49	●		
Surfside	E65		●	
Surfside Suede	E66		●	
Unfinished	UF	❖	❖	❖

Fox Court

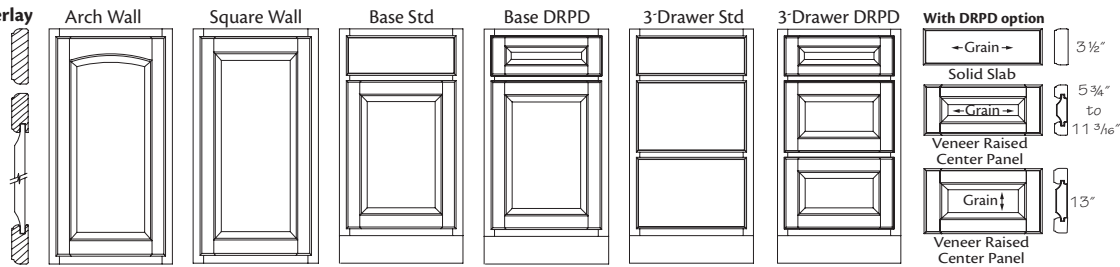
1/2" Overlay

AB8C9	Cherry Arch	Price Column E
AB7C9	Cherry Square	Price Column E
AB8H9	Hickory Arch	Price Column C
AB7H9	Hickory Square	Price Column C
AB8M9	Maple Arch	Price Column D
AB7M9	Maple Square	Price Column D
AB8O9	Oak Arch	Price Column C
AB7O9	Oak Square	Price Column C

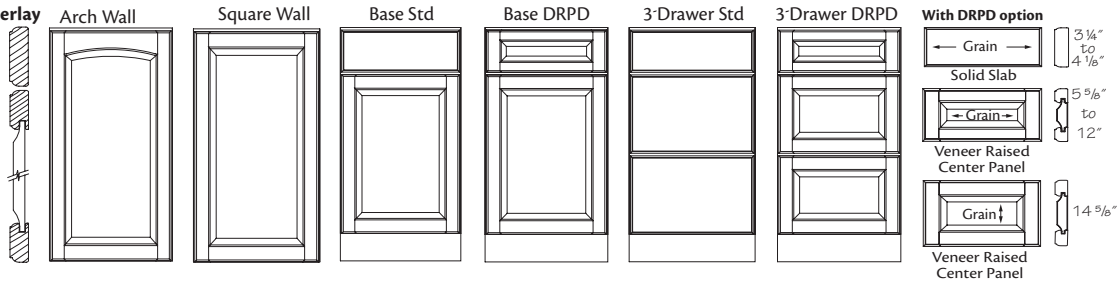
Full Overlay

AC0C9	Cherry Arch	Price Column I
AB9C9	Cherry Square	Price Column I
AC0H9	Hickory Arch	Price Column E
AB9H9	Hickory Square	Price Column E
AC0M9	Maple Arch	Price Column G
AB9M9	Maple Square	Price Column G
AC0O9	Oak Arch	Price Column E
AB9O9	Oak Square	Price Column E

1/2" Overlay



Full Overlay



- Solid wood door frame with 2 3/16" stiles and rails
- Square design has veneer raised panel on wall and base doors
- Arch design has arched veneer raised panels on wall doors only; base doors will be square
- Slab drawer front
- Deluxe Raised Panel Drawer (DRPD) front available
- Concealed hinge
- Decorative Hardware is required for full overlay

Decorative Doors & Inserts Available

Aluminum Frame Glass

- Fresco Brushed Aluminum ■
- Vetro Brushed Aluminum ■

Camed Glass

- Chateau
- Classic Camed Insert ■
- Palisades
- Penrose
- Victorian
- Yorkshire

Classic Glass

- Bistro
- Prepared for Glass
- Prism ★
- Shadow

Etched Glass

- Crossroads
- Lisbon
- Modern Frosted Insert ■ ★
- Prairie
- Satina

Layered Glass

- Antiquity
- Mirage
- Silk
- Wintersday

Mullion Doors

- Castlegate ■
- Evansville ■
- Hewitt ■
- Palladia ■ ▲
- Raleigh ■ ▲
- Showcase Mullion
- Traditional Mullion

Specialty Inserts

- Chalkboard Insert

Textured Glass

- Cascade
- Dolace
- Modern Textured Insert ■
- Moire
- Ravenna
- Styx
- Vauxhall

- Only available in full overlay door styles
- ★ Not available in Arch door styles
- ▲ Only available in Cherry & Maple door styles

Fox Court Finishes

- ❖ Available as Standard
- Premium Upcharge

	AC0C9	AB8C9	AB9C9	AB7C9	AC0H9	AB8H9	AB9H9	AB7H9	AC0M9	AB8M9	AB9M9	AB7M9	AC0O9	AB8O9	AB9O9	AB7O9
	Fox Court Cherry Arch - Full	Fox Court Cherry Arch - Half	Fox Court Cherry Square - Full	Fox Court Cherry Square - Half	Fox Court Hickory Arch - Full	Fox Court Hickory Arch - Half	Fox Court Hickory Square - Full	Fox Court Hickory Square - Half	Fox Court Maple Arch - Full	Fox Court Maple Arch - Half	Fox Court Maple Square - Full	Fox Court Maple Square - Half	Fox Court Oak Arch - Full	Fox Court Oak Arch - Half	Fox Court Oak Square - Full	Fox Court Oak Square - Half
Autumn Blush	AB	❖	❖	❖									❖	❖	❖	❖
Autumn Blush Suede	C21	●	●	●									●	●	●	●
Autumn Blush W/Onyx Glaze	A56	●	●	●									●	●	●	●
Autumn Blush W/Onyx Glaze Suede	E10	●	●	●									●	●	●	●
Baltic	D78	❖	❖	❖	❖								❖	❖	❖	❖
Baltic Suede	D80	●	●	●	●								●	●	●	●
Bonsai	E69								●	●	●	●				
Bonsai Suede	E70								●	●	●	●				
Burmese	E67								●	●	●	●				
Burmese Suede	E68								●	●	●	●				
Cannon Grey	D81	❖	❖	❖	❖								❖	❖	❖	❖
Cannon Grey Suede	D83	●	●	●	●								●	●	●	●
Canvas	CV								●	●	●	●				
Canvas Suede	D37								●	●	●	●				
Canvas W/Cinder Glaze	B90								●	●	●	●				
Canvas W/Cinder Glaze Suede	E26								●	●	●	●				
Canvas W/Cocoa Glaze Suede	E27								●	●	●	●				
Canvas W/Cocoa Glaze	VG								●	●	●	●				
Chestnut	CN								❖	❖	❖	❖				
Chestnut Suede	C23								●	●	●	●				
Chestnut W/Onyx Glaze	A54								●	●	●	●				
Chestnut W/Onyx Glaze Suede	E12								●	●	●	●				
Chocolate	CC	❖	❖	❖	❖				❖	❖	❖	❖				
Chocolate Suede	D87	●	●	●	●				●	●	●	●				
Chocolate W/Ebony Glaze	EG	●	●	●	●											
Chocolate W/Ebony Glaze Suede	E13	●	●	●	●											
Cinnamon	CA	❖	❖	❖	❖				❖	❖	❖	❖				
Cinnamon Suede	C74	●	●	●	●				●	●	●	●				
Cinnamon W/Onyx Glaze	A48	●	●	●	●				●	●	●	●				
Cinnamon W/Onyx Glaze Suede	E14	●	●	●	●				●	●	●	●				
Cognac	CO	❖	❖	❖	❖	❖	❖	❖	❖	❖	❖	❖	❖	❖	❖	❖
Cognac Suede	D85	●	●	●	●	●	●	●	●	●	●	●	●	●	●	●
Dove White	DW								●	●	●	●				
Dove White Suede	D40								●	●	●	●				
Dove White W/Cinder Glaze	B89								●	●	●	●				
Dove White W/Cinder Glaze Suede	E30								●	●	●	●				
Dove White W/Cocoa Glaze	A15								●	●	●	●				
Dove White W/Cocoa Glaze Suede	E31								●	●	●	●				
Fawn	FN												❖	❖	❖	❖
Fawn Suede	D51												●	●	●	●
Ginger	C88	❖	❖	❖	❖	❖	❖	❖	❖	❖	❖	❖	❖	❖	❖	❖
Ginger Suede	C19	●	●	●	●	●	●	●	●	●	●	●	●	●	●	●
Ginger W/Sable Glaze	C11	●	●	●	●	●	●	●	●	●	●	●	●	●	●	●
Ginger W/Sable Glaze Suede	E15	●	●	●	●	●	●	●	●	●	●	●	●	●	●	●
Greyloft	B65								●	●	●	●				
Greyloft Suede	D41								●	●	●	●				
Greyloft W/Sable Glaze	B66								●	●	●	●				
Greyloft W/Sable Glaze Suede	E32								●	●	●	●				
Honey Spice	HS	❖	❖	❖	❖	❖	❖	❖	❖	❖	❖	❖	❖	❖	❖	❖
Honey Spice Suede	D88	●	●	●	●	●	●	●	●	●	●	●	●	●	●	●
Husk	B82	❖	❖	❖	❖	❖	❖	❖					❖	❖	❖	❖
Husk Suede	C13	●	●	●	●	●	●	●					●	●	●	●
Kaffé	KA	❖	❖	❖	❖	❖	❖	❖	❖	❖	❖	❖	❖	❖	❖	❖
Kaffé Suede	C27	●	●	●	●	●	●	●	●	●	●	●	●	●	●	●
Lagoon	E63								●	●	●	●				
Lagoon Suede	E64								●	●	●	●				
Linen	D90								●	●	●	●				
Linen Suede	D93								●	●	●	●				
Linen W/Cinder Glaze	D96								●	●	●	●				
Linen W/Cinder Glaze Suede	E33								●	●	●	●				
Linen W/Cocoa Glaze	D94								●	●	●	●				
Linen W/Cocoa Glaze Suede	E34								●	●	●	●				
Midnight	B69								●	●	●	●				

Fox Court Finishes continued

- ❖ Available as Standard
- Premium Upcharge

		Fox Court Cherry Arch - Full	Fox Court Cherry Arch - Half	Fox Court Cherry Square - Full	Fox Court Cherry Square - Half	Fox Court Hickory Arch - Full	Fox Court Hickory Arch - Half	Fox Court Hickory Square - Full	Fox Court Hickory Square - Half	Fox Court Maple Arch - Full	Fox Court Maple Arch - Half	Fox Court Maple Square - Full	Fox Court Maple Square - Half	Fox Court Oak Arch - Full	Fox Court Oak Arch - Half	Fox Court Oak Square - Full	Fox Court Oak Square - Half
		AC0C9	AB8C9	AB9C9	AB7C9	AC0H9	AB8H9	AB9H9	AB7H9	AC0M9	AB8M9	AB9M9	AB7M9	AC0O9	AB8O9	AB9O9	AB7O9
Midnight Suede	D42									●	●	●	●				
Midnight W/Onyx Glaze	B70									●	●	●	●				
Midnight W/Onyx Glaze Suede	E35									●	●	●	●				
Molasses	E58	❖	❖	❖	❖	❖	❖	❖	❖	❖	❖	❖	❖	❖	❖	❖	❖
Molasses Suede	E59	●	●	●	●	●	●	●	●	●	●	●	●	●	●	●	●
Moonshine	D98									●	●	●	●				
Moonshine Suede	E02									●	●	●	●				
Moonshine W/Cinder Glaze	E04									●	●	●	●				
Moonshine W/Cinder Glaze Suede	E36									●	●	●	●				
Moonshine W/Cocoa Glaze	E03									●	●	●	●				
Moonshine W/Cocoa Glaze Suede	E37									●	●	●	●				
Natural	NA	❖	❖	❖	❖	❖	❖	❖	❖	❖	❖	❖	❖	❖	❖	❖	❖
Natural Suede	D89	●	●	●	●	●	●	●	●	●	●	●	●	●	●	●	●
Onyx	A21									●	●	●	●				
Onyx Suede	D44									●	●	●	●				
Pebble Grey	B83									●	●	●	●				
Pebble Grey Suede	D45									●	●	●	●				
Pebble Grey W/Cocoa Glaze	B84									●	●	●	●				
Pebble Grey W/Cocoa Glaze Suede	E40									●	●	●	●				
Peppercorn	PC	❖	❖	❖	❖					❖	❖	❖	❖	❖	❖	❖	❖
Peppercorn Suede	D53	●	●	●	●					●	●	●	●	●	●	●	●
Praline	PR	❖	❖	❖	❖	❖	❖	❖	❖	❖	❖	❖	❖	❖	❖	❖	❖
Praline Suede	C78	●	●	●	●	●	●	●	●	●	●	●	●	●	●	●	●
Praline W/Onyx Glaze	A45					●	●	●	●	●	●	●	●				
Praline W/Onyx Glaze Suede	E16					●	●	●	●	●	●	●	●				
Saddle	B81	❖	❖	❖	❖	❖	❖	❖	❖	❖	❖	❖	❖	❖	❖	❖	❖
Saddle Suede	C12	●	●	●	●	●	●	●	●	●	●	●	●	●	●	●	●
Slate	B64	❖	❖	❖	❖	❖	❖	❖	❖	❖	❖	❖	❖	❖	❖	❖	❖
Slate Suede	C72	●	●	●	●	●	●	●	●	●	●	●	●	●	●	●	●
Sunset	SU	❖	❖	❖	❖	❖	❖	❖	❖								
Sunset Suede	D49	●	●	●	●	●	●	●	●								
Surfside	E65									●	●	●	●				
Surfside Suede	E66									●	●	●	●				
Unfinished	UF	❖	❖	❖	❖	❖	❖	❖	❖	❖	❖	❖	❖	❖	❖	❖	❖

Notes

Gallina

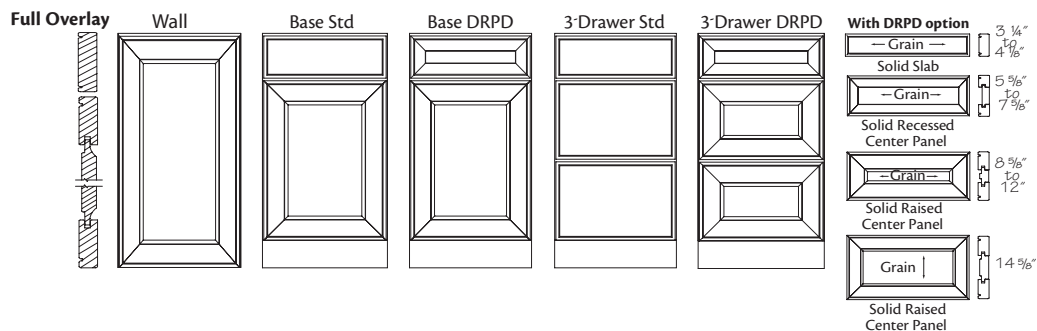
Full Overlay

AB1C9 Cherry

Price Column P

AB1M9 Maple

Price Column O



- Solid wood mitered door frame with 3" stiles and rails
- Square solid raised panel on wall and base doors
- Slab drawer front
- Deluxe Raised Panel Drawer (DRPD) front available
- Concealed hinge
- Decorative hardware is required

Decorative Doors & Inserts Available

Aluminum Frame Glass

- Fresco Brushed Aluminum
- Vetro Brushed Aluminum

Camed Glass

- Chateau
- Classic Camed Insert
- Palisades
- Penrose
- Victorian
- Yorkshire

Classic Glass

- Bistro
- Prepared for Glass
- Prism
- Shadow

Etched Glass

- Crossroads
- Lisbon
- Modern Frosted Insert
- Prairie
- Satina

Layered Glass

- Antiquity
- Mirage
- Silk
- Wintersday

Mullion Doors

- Castlegate
- Evansville
- Hewitt
- Showcase Mullion
- Traditional Mullion

Specialty Inserts

- Chalkboard Insert

Textured Glass

- Cascade
- Dolace
- Modern Textured Insert
- Moire
- Ravenna
- Styx
- Vauxhall

Gallina Finishes

- ❖ Available as Standard
- Premium Upcharge

		Gallina Cherry	Gallina Maple
		AB1C9	AB1M9
Aged Concrete	E06	●	●
Aged Papyrus	E05	●	●
Aged River Rock	E07	●	●
Autumn Blush	AB	❖	
Autumn Blush Suede	C21	●	●
Autumn Blush W/Onyx Glaze	A56	●	●
Autumn Blush W/Onyx Glaze Suede	E10	●	●
Baltic	D78	❖	
Baltic Suede	D80	●	●
Bonsai	E69	●	●
Bonsai Suede	E70	●	●
Burmese	E67	●	●
Burmese Suede	E68	●	●
Cannon Grey	D81	❖	
Cannon Grey Suede	D83	●	●
Canvas	CV	●	●
Canvas Suede	D37	●	●
Canvas W/Cinder Glaze	B90	●	●
Canvas W/Cinder Glaze Suede	E26	●	●
Canvas W/Cocoa Glaze Suede	E27	●	●
Canvas W/Cocoa Glaze	VG	●	●
Chestnut	CN	❖	
Chestnut Suede	C23	●	●
Chestnut W/Onyx Glaze	A54	●	●
Chestnut W/Onyx Glaze Suede	E12	●	●
Chocolate	CC	❖	❖
Chocolate Suede	D87	●	●
Chocolate W/Ebony Glaze	EG	●	●
Chocolate W/Ebony Glaze Suede	E13	●	●
Cinnamon	CA	❖	❖
Cinnamon Suede	C74	●	●
Cinnamon W/Onyx Glaze	A48	●	●
Cinnamon W/Onyx Glaze Suede	E14	●	●
Cognac	CO	❖	❖
Cognac Suede	D85	●	●
Distressed Autumn Blush	C22	●	●
Distressed Baltic	D79	●	●
Distressed Cannon Grey	D82	●	●
Distressed Chestnut	C24	●	●
Distressed Chocolate	D86	●	●
Distressed Cinnamon	C75	●	●
Distressed Cognac	D84	●	●
Distressed Ginger	C20	●	●
Distressed Husk	C15	●	●
Distressed Kaffé	C28	●	●
Distressed Molasses	E60	●	●
Distressed Peppercorn	C86	●	●
Distressed Praline	C79	●	●
Distressed Saddle	C14	●	●
Distressed Slate	C73	●	●
Distressed Sunset	D50	●	●
Dove White	DW	●	●
Dove White Suede	D40	●	●
Dove White W/Cinder Glaze	B89	●	●
Dove White W/Cinder Glaze Suede	E30	●	●
Dove White W/Cocoa Glaze	A15	●	●
Dove White W/Cocoa Glaze Suede	E31	●	●
Ginger	C88	❖	❖
Ginger Suede	C19	●	●
Ginger W/Sable Glaze	C11	●	●
Ginger W/Sable Glaze Suede	E15	●	●
Greyloft	B65	●	●
Greyloft Suede	D41	●	●
Greyloft W/Sable Glaze	B66	●	●
Greyloft W/Sable Glaze Suede	E32	●	●
Honey Spice	HS	❖	❖
Honey Spice Suede	D88	●	●

		Gallina Cherry	Gallina Maple
		AB1C9	AB1M9
Husk	B82	❖	
Husk Suede	C13	●	●
Kaffé	KA	❖	❖
Kaffé Suede	C27	●	●
Lagoon	E63	●	●
Lagoon Suede	E64	●	●
Linen	D90	●	●
Linen Suede	D93	●	●
Linen W/Cinder Glaze	D96	●	●
Linen W/Cinder Glaze Suede	E33	●	●
Linen W/Cocoa Glaze	D94	●	●
Linen W/Cocoa Glaze Suede	E34	●	●
Midnight	B69	●	●
Midnight Suede	D42	●	●
Midnight W/Onyx Glaze	B70	●	●
Midnight W/Onyx Glaze Suede	E35	●	●
Molasses	E58	❖	❖
Molasses Suede	E59	●	●
Moonshine	D98	●	●
Moonshine Suede	E02	●	●
Moonshine W/Cinder Glaze	E04	●	●
Moonshine W/Cinder Glaze Suede	E36	●	●
Moonshine W/Cocoa Glaze	E03	●	●
Moonshine W/Cocoa Glaze Suede	E37	●	●
Natural	NA	❖	❖
Natural Suede	D89	●	●
Onyx	A21	●	●
Onyx Suede	D44	●	●
Pebble Grey	B83	●	●
Pebble Grey Suede	D45	●	●
Pebble Grey W/Cocoa Glaze	B84	●	●
Pebble Grey W/Cocoa Glaze Suede	E40	●	●
Peppercorn	PC	❖	❖
Peppercorn Suede	D53	●	●
Praline	PR	❖	❖
Praline Suede	C78	●	●
Praline W/Onyx Glaze	A45	●	●
Praline W/Onyx Glaze Suede	E16	●	●
Saddle	B81	❖	❖
Saddle Suede	C12	●	●
Slate	B64	❖	❖
Slate Suede	C72	●	●
Sunset	SU	❖	
Sunset Suede	D49	●	●
Surfside	E65	●	●
Surfside Suede	E66	●	●
Unfinished	UF	❖	❖
Vintage Canvas	VC	●	●
Vintage Canvas Suede	E42	●	●
Vintage Dove White	VD	●	●
Vintage Dove White Suede	E44	●	●
Vintage Greyloft	B67	●	●
Vintage Greyloft Suede	E45	●	●
Vintage Linen	D91	●	●
Vintage Linen Suede	E46	●	●
Vintage Midnight	B71	●	●
Vintage Midnight Suede	E47	●	●
Vintage Moonshine	D99	●	●
Vintage Moonshine Suede	E48	●	●
Vintage Onyx	VO	●	●
Vintage Onyx Suede	E50	●	●
Vintage Pebble Grey	B86	●	●
Vintage Pebble Grey Suede	E51	●	●

Ganon

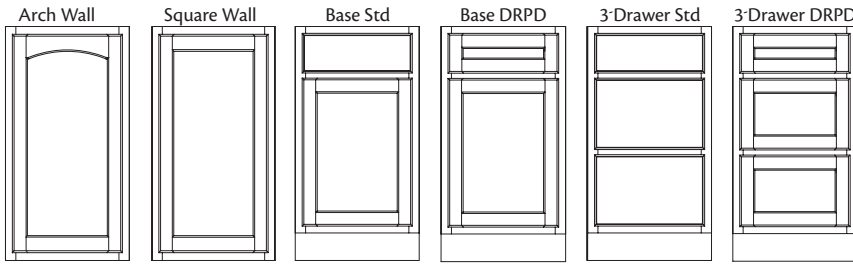
1/2" Overlay

2GCR9	Cherry Arch	Price Column D
2GCS9	Cherry Square	Price Column D
AC3D9	EverCore™ Arch	Price Column A
AC2D9	EverCore™ Square	Price Column A
AC3H9	Hickory Arch	Price Column A
AC2H9	Hickory Square	Price Column A
AC3M9	Maple Arch	Price Column B
AC2M9	Maple Square	Price Column B
AC3O9	Oak Arch	Price Column A
AC2O9	Oak Square	Price Column A
AC2A9	Rustic Alder Square	Price Column B

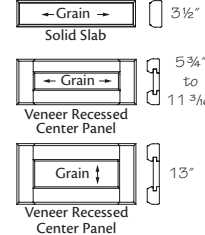
Full Overlay

AD0C9	Cherry Arch	Price Column G
AC9C9	Cherry Square	Price Column G
AD0D9	EverCore™ Arch	Price Column D
AC9D9	EverCore™ Square	Price Column D
AD0H9	Hickory Arch	Price Column E
AC9H9	Hickory Square	Price Column E
AD0M9	Maple Arch	Price Column F
AC9M9	Maple Square	Price Column F
AD0O9	Oak Arch	Price Column E
AC9O9	Oak Square	Price Column E
AC9A9	Rustic Alder Square	Price Column F

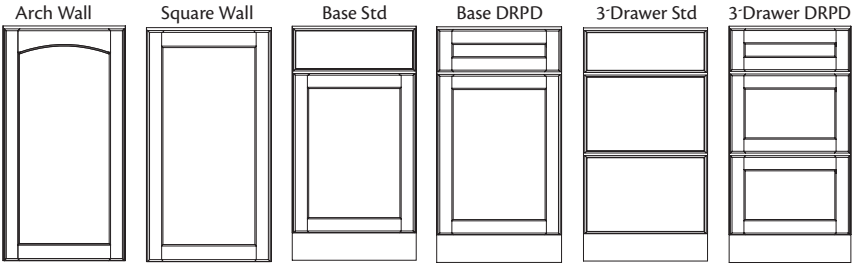
1/2" Overlay



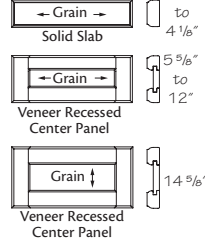
With DRPD option



Full Overlay



With DRPD option



- Solid wood door frame with 2 3/16" stiles and rails, except EverCore™, which will be mechanically compressed wood fiber
- Square design has veneer recessed panels on wall and base doors, except EverCore™, which will be mechanically compressed wood fiber
- Arch design has arched veneer recessed panels on wall doors only, except EverCore™, which will be mechanically compressed wood fiber; base doors will be square
- Slab drawer front
- Deluxe Recessed Panel Drawer (DRPD) front available
- Concealed hinge
- Decorative Hardware is required for full overlay
- Rustic Alder is available in square only
- **Note:** Rustic door styles feature knotty or character wood. It contains character marks such as heartwood, worm holes and mineral streaks of varying size. Components of these doors are chosen at random, with the appearance of each individual door varying widely from very rustic to relatively clear and unmarked

Decorative Doors & Inserts Available

Aluminum Frame Glass

- Fresco Brushed Aluminum ■
- Vetro Brushed Aluminum ■

Camed Glass

- Chateau
- Classic Camed Insert ■
- Palisades
- Penrose
- Victorian
- Yorkshire

Classic Glass

- Bistro
- Prepared for Glass
- Prism ●
- Shadow

Etched Glass

- Crossroads
- Lisbon
- Modern Frosted Insert ■ ●
- Prairie
- Satina

Layered Glass

- Antiquity
- Mirage
- Silk
- Wintersday

Mullion Doors

- Castlegate ★ ■ ☆
- Evansville ★ ■ ☆
- Hewitt ★ ■ ☆
- Palladia ▲ ■ ☆
- Raleigh ▲ ■
- Showcase Mullion ★ ☆
- Traditional Mullion ★ ☆

Specialty Inserts

- Chalkboard Insert

Textured Glass

- Cascade
- Dolace
- Modern Textured Insert ■
- Moire
- Ravenna
- Styx
- Vauxhall

- ▲ Only available in Cherry & Maple door styles
- ★ **Not** available in Rustic door styles
- Only available in full overlay door styles
- **Not** available in Arch door styles
- ☆ **Not** available in Evercore™ door styles

Ganon Finishes

- ❖ Available as Standard
- Premium Upcharge

		AD0C9	2GCR9	AC9C9	2GC99	AD0D9	AC3D9	AC9D9	AC2D9	AD0H9	AC3H9	AC9H9	AC2H9	AD0M9	AC3M9	AC9M9	AC2M9	AD0O9	AC3O9	AC9O9	AC2O9	AC9A9	AC2A9
		Ganon Cherry Arch - Full	Ganon Cherry Arch - Half	Ganon Cherry Square - Full	Ganon Cherry Square - Half	Ganon EverCore™ Arch - Full	Ganon EverCore™ Arch - Half	Ganon EverCore™ Square - Full	Ganon EverCore™ Square - Half	Ganon Hickory Arch - Full	Ganon Hickory Arch - Half	Ganon Hickory Square - Full	Ganon Hickory Square - Half	Ganon Maple Arch - Full	Ganon Maple Arch - Half	Ganon Maple Square - Full	Ganon Maple Square - Half	Ganon Oak Arch - Full	Ganon Oak Arch - Half	Ganon Oak Square - Full	Ganon Oak Square - Half	Ganon Rustic Alder Square - Full	Ganon Rustic Alder Square - Half
Autumn Blush	AB	❖	❖	❖	❖													❖	❖	❖	❖	❖	❖
Autumn Blush Suede	C21	●	●	●	●													●	●	●	●	●	●
Autumn Blush W/Onyx Glaze	A56	●	●	●	●													●	●	●	●	●	●
Autumn Blush W/Onyx Glaze Suede	E10	●	●	●	●													●	●	●	●	●	●
Baltic	D78	❖	❖	❖	❖													❖	❖	❖	❖	❖	❖
Baltic Suede	D80	●	●	●	●													●	●	●	●	●	●
Bonsai	E69					●	●	●	●				●	●	●	●	●						
Bonsai Suede	E70					●	●	●	●				●	●	●	●	●						
Burmese	E67					●	●	●	●				●	●	●	●	●						
Burmese Suede	E68					●	●	●	●				●	●	●	●	●						
Cannon Grey	D81	❖	❖	❖	❖													❖	❖	❖	❖	❖	❖
Cannon Grey Suede	D83	●	●	●	●													●	●	●	●	●	●
Canvas	CV					●	●	●	●				●	●	●	●	●						
Canvas Suede	D37					●	●	●	●				●	●	●	●	●						
Canvas W/Cinder Glaze	B90												●	●	●	●	●						
Canvas W/Cinder Glaze Suede	E26												●	●	●	●	●						
Canvas W/Cocoa Glaze Suede	E27												●	●	●	●	●						
Canvas W/Cocoa Glaze	VG												●	●	●	●	●						
Chestnut	CN												❖	❖	❖	❖	❖						
Chestnut Suede	C23												●	●	●	●	●						
Chestnut W/Onyx Glaze	A54												●	●	●	●	●						
Chestnut W/Onyx Glaze Suede	E12												●	●	●	●	●						
Chocolate	CC	❖	❖	❖	❖																		❖
Chocolate Suede	D87	●	●	●	●								●	●	●	●	●					●	●
Chocolate W/Ebony Glaze	EG	●	●	●	●								●	●	●	●	●					●	●
Chocolate W/Ebony Glaze Suede	E13	●	●	●	●								●	●	●	●	●					●	●
Cinnamon	CA	❖	❖	❖	❖									❖	❖	❖	❖						❖
Cinnamon Suede	C74	●	●	●	●								●	●	●	●	●					●	●
Cinnamon W/Onyx Glaze	A48	●	●	●	●								●	●	●	●	●					●	●
Cinnamon W/Onyx Glaze Suede	E14	●	●	●	●								●	●	●	●	●					●	●
Cognac	CO	❖	❖	❖	❖				❖	❖	❖	❖	❖	❖	❖	❖	❖	❖	❖	❖	❖	❖	❖
Cognac Suede	D85	●	●	●	●				●	●	●	●	●	●	●	●	●	●	●	●	●	●	●
Dove White	DW					●	●	●	●				●	●	●	●	●						
Dove White Suede	D40					●	●	●	●				●	●	●	●	●						
Dove White W/Cinder Glaze	B89												●	●	●	●	●						
Dove White W/Cinder Glaze Suede	E30												●	●	●	●	●						
Dove White W/Cocoa Glaze	A15												●	●	●	●	●						
Dove White W/Cocoa Glaze Suede	E31												●	●	●	●	●						
Fawn	FN																	❖	❖	❖	❖		
Fawn Suede	D51												●	●	●	●	●	●	●	●	●	●	●
Ginger	C88	❖	❖	❖	❖					❖	❖	❖	❖	❖	❖	❖	❖	❖	❖	❖	❖	❖	❖
Ginger Suede	C19	●	●	●	●					●	●	●	●	●	●	●	●	●	●	●	●	●	●
Ginger W/Sable Glaze	C11	●	●	●	●					●	●	●	●	●	●	●	●	●	●	●	●	●	●
Ginger W/Sable Glaze Suede	E15	●	●	●	●					●	●	●	●	●	●	●	●	●	●	●	●	●	●
Greyloft	B65					●	●	●	●				●	●	●	●	●						
Greyloft Suede	D41					●	●	●	●				●	●	●	●	●						
Greyloft W/Sable Glaze	B66												●	●	●	●	●						
Greyloft W/Sable Glaze Suede	E32												●	●	●	●	●						
Honey Spice	HS	❖	❖	❖	❖					❖	❖	❖	❖	❖	❖	❖	❖	❖	❖	❖	❖	❖	❖
Honey Spice Suede	D88	●	●	●	●					●	●	●	●	●	●	●	●	●	●	●	●	●	●
Husk	B82	❖	❖	❖	❖					❖	❖	❖	❖	❖	❖	❖	❖	❖	❖	❖	❖	❖	❖
Husk Suede	C13	●	●	●	●					●	●	●	●	●	●	●	●	●	●	●	●	●	●
Kaffé	KA	❖	❖	❖	❖					❖	❖	❖	❖	❖	❖	❖	❖	❖	❖	❖	❖	❖	❖
Kaffé Suede	C27	●	●	●	●					●	●	●	●	●	●	●	●	●	●	●	●	●	●
Lagoon	E63					●	●	●	●				●	●	●	●	●						
Lagoon Suede	E64					●	●	●	●				●	●	●	●	●						
Linen	D90					●	●	●	●				●	●	●	●	●						
Linen Suede	D93					●	●	●	●				●	●	●	●	●						
Linen W/Cinder Glaze	D96												●	●	●	●	●						
Linen W/Cinder Glaze Suede	E33												●	●	●	●	●						
Linen W/Cocoa Glaze	D94												●	●	●	●	●						
Linen W/Cocoa Glaze Suede	E34												●	●	●	●	●						
Midnight	B69					●	●	●	●				●	●	●	●	●						

Ganon Finishes continued

- ◆ Available as Standard
- Premium Upcharge

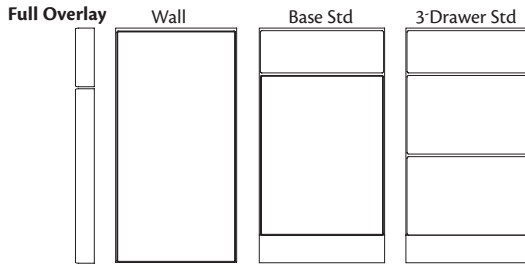
	AD0C9	2GCR9	AC9C9	2GCS9	AD0D9	AC3D9	AC9D9	AC2D9	AD0H9	AC3H9	AC9H9	AC2H9	AD0M9	AC3M9	AC9M9	AC2M9	AD0O9	AC3O9	AC9O9	AC2O9	AC9A9	AC2A9	
	Ganon Cherry Arch - Full	Ganon Cherry Arch - Half	Ganon Cherry Square - Full	Ganon Cherry Square - Half	Ganon EverCore™ Arch - Full	Ganon EverCore™ Arch - Half	Ganon EverCore™ Square - Full	Ganon EverCore™ Square - Half	Ganon Hickory Arch - Full	Ganon Hickory Arch - Half	Ganon Hickory Square - Full	Ganon Hickory Square - Half	Ganon Maple Arch - Full	Ganon Maple Arch - Half	Ganon Maple Square - Full	Ganon Maple Square - Half	Ganon Oak Arch - Full	Ganon Oak Arch - Half	Ganon Oak Square - Full	Ganon Oak Square - Half	Ganon Rustic Alder Square - Full	Ganon Rustic Alder Square - Half	
Midnight Suede	D42				●	●	●	●					●	●	●	●							
Midnight W/Onyx Glaze	B70												●	●	●	●							
Midnight W/Onyx Glaze Suede	E35												●	●	●	●							
Molasses	E58	◆	◆	◆	◆				◆	◆	◆	◆	◆	◆	◆	◆	◆	◆	◆	◆	◆	◆	◆
Molasses Suede	E59	●	●	●	●				●	●	●	●	●	●	●	●	●	●	●	●	●	●	●
Moonshine	D98				●	●	●	●					●	●	●	●							
Moonshine Suede	E02				●	●	●	●					●	●	●	●							
Moonshine W/Cinder Glaze	E04												●	●	●	●							
Moonshine W/Cinder Glaze Suede	E36												●	●	●	●							
Moonshine W/Cocoa Glaze	E03												●	●	●	●							
Moonshine W/Cocoa Glaze Suede	E37												●	●	●	●							
Natural	NA	◆	◆	◆	◆				◆	◆	◆	◆	◆	◆	◆	◆	◆	◆	◆	◆	◆	◆	◆
Natural Suede	D89	●	●	●	●				●	●	●	●	●	●	●	●	●	●	●	●	●	●	●
Onyx	A21				●	●	●	●					●	●	●	●	●	●	●	●	●	●	●
Onyx Suede	D44				●	●	●	●					●	●	●	●	●	●	●	●	●	●	●
Pebble Grey	B83				●	●	●	●					●	●	●	●	●	●	●	●	●	●	●
Pebble Grey Suede	D45				●	●	●	●					●	●	●	●	●	●	●	●	●	●	●
Pebble Grey W/Cocoa Glaze	B84												●	●	●	●							
Pebble Grey W/Cocoa Glaze Suede	E40												●	●	●	●							
Peppercorn	PC	◆	◆	◆	◆								◆	◆	◆	◆	◆	◆	◆	◆	◆	◆	◆
Peppercorn Suede	D53	●	●	●	●								●	●	●	●	●	●	●	●	●	●	●
Praline	PR	◆	◆	◆	◆				◆	◆	◆	◆	◆	◆	◆	◆	◆	◆	◆	◆	◆	◆	◆
Praline Suede	C78	●	●	●	●				●	●	●	●	●	●	●	●	●	●	●	●	●	●	●
Praline W/Onyx Glaze	A45								●	●	●	●	●	●	●	●	●	●	●	●	●	●	●
Praline W/Onyx Glaze Suede	E16								●	●	●	●	●	●	●	●	●	●	●	●	●	●	●
Saddle	B81	◆	◆	◆	◆				◆	◆	◆	◆	◆	◆	◆	◆	◆	◆	◆	◆	◆	◆	◆
Saddle Suede	C12	●	●	●	●				●	●	●	●	●	●	●	●	●	●	●	●	●	●	●
Slate	B64	◆	◆	◆	◆				◆	◆	◆	◆	◆	◆	◆	◆	◆	◆	◆	◆	◆	◆	◆
Slate Suede	C72	●	●	●	●				●	●	●	●	●	●	●	●	●	●	●	●	●	●	●
Sunset	SU	◆	◆	◆	◆				◆	◆	◆	◆	◆	◆	◆	◆	◆	◆	◆	◆	◆	◆	◆
Sunset Suede	D49	●	●	●	●				●	●	●	●									●	●	
Surfside	E65				●	●	●	●					●	●	●	●							
Surfside Suede	E66				●	●	●	●					●	●	●	●							
Unfinished	UF	◆	◆	◆	◆				◆	◆	◆	◆	◆	◆	◆	◆	◆	◆	◆	◆	◆	◆	◆

Notes

Glencoe

Full Overlay

- SCS9** Cream Thermofoil Price Column B
- SWS9** White Thermofoil Price Column B



- Thermofoil on 3/4" thick MDF substrate
- Slab with square edges on wall & base doors
- Slab drawer front
- Concealed hinge
- Decorative hardware is required



Remember, all Foil and Thermofoil door styles will have a natural birch interior and a white or cream laminate exterior. Also, the underside of the cabinets are natural birch. To cover the underside, order an Under Cabinet Panel.

Decorative Doors & Inserts Available

Aluminum Frame Glass

- Fresco Brushed Aluminum
- Vetro Brushed Aluminum

Camed Glass

- Chateau
- Classic Camed Insert
- Palisades
- Penrose
- Victorian
- Yorkshire

Classic Glass

- Bistro
- Prepared for Glass
- Prism
- Shadow

Etched Glass

- Crossroads
- Lisbon
- Modern Frosted Insert
- Prairie
- Satina

Layered Glass

- Antiquity
- Mirage
- Silk
- Wintersday

Mullion Doors

- Traditional Mullion

Specialty Inserts

- Chalkboard Insert

Textured Glass

- Cascade
- Dolace
- Modern Textured Insert
- Moire
- Ravenna
- Styx
- Vauxhall

Glencoe Finishes

- ❖ Available as Standard
- Premium Upcharge

		Glencoe Cream	SCS9
		Glencoe White	SWS9
Cream	CS	❖	
White	WH		❖

Hadley

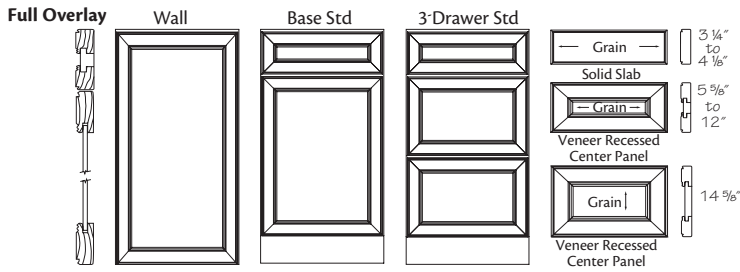
Full Overlay

HYC9 Cherry

Price Column N

HYM9 Maple

Price Column L



- Solid wood mitered beaded door frame with 2 3/16" stiles and rails
- Square veneer recessed panel on wall and base doors
- Five-piece beaded drawer front
- Drawer front varies depending on height
- Concealed hinge
- Decorative hardware is required

Decorative Doors & Inserts Available

Aluminum Frame Glass

- Fresco Brushed Aluminum
- Vetro Brushed Aluminum

Camed Glass

- Chateau
- Classic Camed Insert
- Palisades
- Penrose
- Victorian
- Yorkshire

Classic Glass

- Bistro
- Prepared for Glass
- Prism
- Shadow

Etched Glass

- Crossroads
- Lisbon
- Modern Frosted Insert
- Prairie
- Satina

Layered Glass

- Antiquity
- Mirage
- Silk
- Wintersday

Mullion Doors

- Castlegate
- Evansville
- Hewitt
- Palladia
- Raleigh
- Showcase Mullion
- Traditional Mullion

Specialty Inserts

- Chalkboard Insert

Textured Glass

- Cascade
- Dolace
- Modern Textured Insert
- Moire
- Ravenna
- Styx
- Vauxhall

Hadley Finishes

- ❖ Available as Standard
- Premium Upcharge

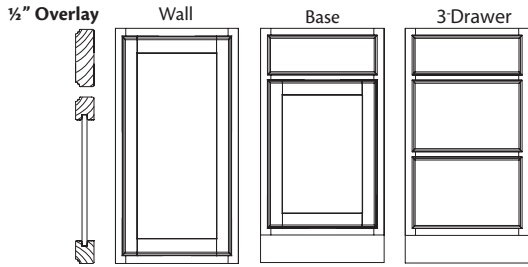
		Hadley Cherry	Hadley Maple
Autumn Blush	AB	❖	
Autumn Blush Suede	C21	●	
Autumn Blush W/Onyx Glaze	A56	●	
Autumn Blush W/Onyx Glaze Suede	E10	●	
Baltic	D78	❖	
Baltic Suede	D80	●	
Bonsai	E69	●	●
Bonsai Suede	E70	●	●
Burmese	E67	●	●
Burmese Suede	E68	●	●
Cannon Grey	D81	❖	
Cannon Grey Suede	D83	●	
Canvas	CV	●	
Canvas Suede	D37	●	
Canvas W/Cinder Glaze	B90	●	
Canvas W/Cinder Glaze Suede	E26	●	
Canvas W/Cocoa Glaze Suede	E27	●	
Canvas W/Cocoa Glaze	VG	●	
Chestnut	CN	❖	
Chestnut Suede	C23	●	
Chestnut W/Onyx Glaze	A54	●	
Chestnut W/Onyx Glaze Suede	E12	●	
Chocolate	CC	❖	❖
Chocolate Suede	D87	●	●
Chocolate W/Ebony Glaze	EG	●	
Chocolate W/Ebony Glaze Suede	E13	●	
Cinnamon	CA	❖	❖
Cinnamon Suede	C74	●	●
Cinnamon W/Onyx Glaze	A48	●	●
Cinnamon W/Onyx Glaze Suede	E14	●	●
Cognac	CO	❖	❖
Cognac Suede	D85	●	●
Dove White	DW	●	
Dove White Suede	D40	●	
Dove White W/Cinder Glaze	B89	●	
Dove White W/Cinder Glaze Suede	E30	●	
Dove White W/Cocoa Glaze	A15	●	
Dove White W/Cocoa Glaze Suede	E31	●	
Ginger	C88	❖	❖
Ginger Suede	C19	●	●
Ginger W/Sable Glaze	C11	●	●
Ginger W/Sable Glaze Suede	E15	●	●
Greyloft	B65	●	
Greyloft Suede	D41	●	
Greyloft W/Sable Glaze	B66	●	
Greyloft W/Sable Glaze Suede	E32	●	
Honey Spice	HS	❖	❖
Honey Spice Suede	D88	●	●
Husk	B82	❖	
Husk Suede	C13	●	
Kaffé	KA	❖	❖
Kaffé Suede	C27	●	●
Lagoon	E63	●	
Lagoon Suede	E64	●	
Linen	D90	●	
Linen Suede	D93	●	
Linen W/Cinder Glaze	D96	●	
Linen W/Cinder Glaze Suede	E33	●	
Linen W/Cocoa Glaze	D94	●	
Linen W/Cocoa Glaze Suede	E34	●	
Midnight	B69	●	
Midnight Suede	D42	●	
Midnight W/Onyx Glaze	B70	●	
Midnight W/Onyx Glaze Suede	E35	●	
Molasses	E58	❖	❖
Molasses Suede	E59	●	●

		Hadley Cherry	Hadley Maple
Moonshine	D98	●	
Moonshine Suede	E02	●	
Moonshine W/Cinder Glaze	E04	●	
Moonshine W/Cinder Glaze Suede	E36	●	
Moonshine W/Cocoa Glaze	E03	●	
Moonshine W/Cocoa Glaze Suede	E37	●	
Natural	NA	❖	❖
Natural Suede	D89	●	●
Onyx	A21	●	
Onyx Suede	D44	●	
Pebble Grey	B83	●	
Pebble Grey Suede	D45	●	
Pebble Grey W/Cocoa Glaze	B84	●	
Pebble Grey W/Cocoa Glaze Suede	E40	●	
Peppercorn	PC	❖	❖
Peppercorn Suede	D53	●	●
Praline	PR	❖	❖
Praline Suede	C78	●	●
Praline W/Onyx Glaze	A45	●	
Praline W/Onyx Glaze Suede	E16	●	
Saddle	B81	❖	❖
Saddle Suede	C12	●	●
Slate	B64	❖	❖
Slate Suede	C72	●	●
Sunset	SU	❖	
Sunset Suede	D49	●	
Surfside	E65	●	
Surfside Suede	E66	●	
Unfinished	UF	❖	❖

Harmond

1/2" Overlay

AC4C9	Cherry	Price Column D
AC4M9	Maple	Price Column B
AC4O9	Oak	Price Column A



- Solid wood door frame with 2 3/16" stiles and rails
- Square veneer recessed panel on wall and base doors
- Slab drawer front
- Concealed hinge
- Decorative hardware is optional

Decorative Doors & Inserts Available

Camed Glass

- Chateau
- Palisades
- Penrose
- Victorian
- Yorkshire

Classic Glass

- Bistro
- Prepared for Glass
- Prism
- Shadow

Etched Glass

- Crossroads
- Lisbon
- Prairie
- Satina

Layered Glass

- Antiquity
- Mirage
- Silk
- Wintersday

Mullion Doors

- Showcase Mullion
- Traditional Mullion

Specialty Inserts

- Chalkboard Insert

Textured Glass

- Cascade
- Dolace
- Moire
- Ravenna
- Styx
- Vauxhall

Harmond Finishes

- ◆ Available as Standard
- Premium Upcharge

		AC4C9	AC4M9	AC4O9
		Harmond Cherry	Harmond Maple	Harmond Oak
Autumn Blush	AB	◆	◆	◆
Autumn Blush Suede	C21	●	●	●
Autumn Blush W/Onyx Glaze	A56	●	●	●
Autumn Blush W/Onyx Glaze Suede	E10	●	●	●
Baltic	D78	◆	◆	◆
Baltic Suede	D80	●	●	●
Bonsai	E69	●	●	●
Bonsai Suede	E70	●	●	●
Burmese	E67	●	●	●
Burmese Suede	E68	●	●	●
Cannon Grey	D81	◆	◆	◆
Cannon Grey Suede	D83	●	●	●
Canvas	CV	●	●	●
Canvas Suede	D37	●	●	●
Canvas W/Cinder Glaze	B90	●	●	●
Canvas W/Cinder Glaze Suede	E26	●	●	●
Canvas W/Cocoa Glaze Suede	E27	●	●	●
Canvas W/Cocoa Glaze	VG	●	●	●
Chestnut	CN	◆	◆	◆
Chestnut Suede	C23	●	●	●
Chestnut W/Onyx Glaze	A54	●	●	●
Chestnut W/Onyx Glaze Suede	E12	●	●	●
Chocolate	CC	◆	◆	◆
Chocolate Suede	D87	●	●	●
Chocolate W/Ebony Glaze	EG	●	●	●
Chocolate W/Ebony Glaze Suede	E13	●	●	●
Cinnamon	CA	◆	◆	◆
Cinnamon Suede	C74	●	●	●
Cinnamon W/Onyx Glaze	A48	●	●	●
Cinnamon W/Onyx Glaze Suede	E14	●	●	●
Cognac	CO	◆	◆	◆
Cognac Suede	D85	●	●	●
Dove White	DW	●	●	●
Dove White Suede	D40	●	●	●
Dove White W/Cinder Glaze	B89	●	●	●
Dove White W/Cinder Glaze Suede	E30	●	●	●
Dove White W/Cocoa Glaze	A15	●	●	●
Dove White W/Cocoa Glaze Suede	E31	●	●	●
Fawn	FN	◆	◆	◆
Fawn Suede	D51	●	●	●
Ginger	C88	◆	◆	◆
Ginger Suede	C19	●	●	●
Ginger W/Sable Glaze	C11	●	●	●
Ginger W/Sable Glaze Suede	E15	●	●	●
Greyloft	B65	●	●	●
Greyloft Suede	D41	●	●	●
Greyloft W/Sable Glaze	B66	●	●	●
Greyloft W/Sable Glaze Suede	E32	●	●	●
Honey Spice	HS	◆	◆	◆
Honey Spice Suede	D88	●	●	●
Husk	B82	◆	◆	◆
Husk Suede	C13	●	●	●
Kaffé	KA	◆	◆	◆
Kaffé Suede	C27	●	●	●
Lagoon	E63	●	●	●
Lagoon Suede	E64	●	●	●
Linen	D90	●	●	●
Linen Suede	D93	●	●	●
Linen W/Cinder Glaze	D96	●	●	●
Linen W/Cinder Glaze Suede	E33	●	●	●
Linen W/Cocoa Glaze	D94	●	●	●
Linen W/Cocoa Glaze Suede	E34	●	●	●
Midnight	B69	●	●	●
Midnight Suede	D42	●	●	●
Midnight W/Onyx Glaze	B70	●	●	●
Midnight W/Onyx Glaze Suede	E35	●	●	●

		AC4C9	AC4M9	AC4O9
		Harmond Cherry	Harmond Maple	Harmond Oak
Molasses	E58	◆	◆	◆
Molasses Suede	E59	●	●	●
Moonshine	D98	●	●	●
Moonshine Suede	E02	●	●	●
Moonshine W/Cinder Glaze	E04	●	●	●
Moonshine W/Cinder Glaze Suede	E36	●	●	●
Moonshine W/Cocoa Glaze	E03	●	●	●
Moonshine W/Cocoa Glaze Suede	E37	●	●	●
Natural	NA	◆	◆	◆
Natural Suede	D89	●	●	●
Onyx	A21	●	●	●
Onyx Suede	D44	●	●	●
Pebble Grey	B83	●	●	●
Pebble Grey Suede	D45	●	●	●
Pebble Grey W/Cocoa Glaze	B84	●	●	●
Pebble Grey W/Cocoa Glaze Suede	E40	●	●	●
Peppercorn	PC	◆	◆	◆
Peppercorn Suede	D53	●	●	●
Praline	PR	◆	◆	◆
Praline Suede	C78	●	●	●
Praline W/Onyx Glaze	A45	●	●	●
Praline W/Onyx Glaze Suede	E16	●	●	●
Saddle	B81	◆	◆	◆
Saddle Suede	C12	●	●	●
Slate	B64	◆	◆	◆
Slate Suede	C72	●	●	●
Sunset	SU	◆	◆	◆
Sunset Suede	D49	●	●	●
Surfside	E65	●	●	●
Surfside Suede	E66	●	●	●
Unfinished	UF	◆	◆	◆

Hincley

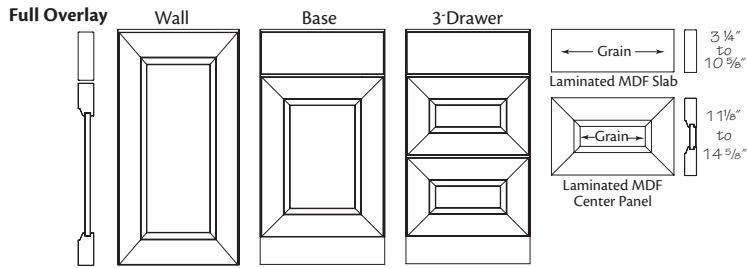
Full Overlay

AH4L9 Cannon Grey Wood-Grain Foil

Price Column G

AH4W9 Dove White Wood-Grain Foil

Price Column G



- Thermofoil on 3/4" thick MDF substrate
- Mitered door with 4 1/8" stiles and rails
- Recessed center panel door with horizontal grain orientation
- Five-piece mitered construction with foil wrapped lineal pieces
- Doors on 6" wide cabinets will be a slab design with vertical grain orientation
- Both doors on EZR33 and Asymmetrical EZR cabinets will be a slab design with vertical grain orientation
- Drawer fronts 3 1/4" to 10 5/8" will be slab
- Drawer fronts 11 1/8" to 14 5/8" will be five-piece
- Concealed hinge
- Decorative hardware is required
- **Note:** Cabinet box and most accessories will have a coordinating smooth white finish for Dove White Wood-Grain Foil or an oak texture finish for Cannon Grey Wood-Grain Foil door styles; select accessories will be offered in matching foil material (refer to individual items for specific details)

Decorative Doors & Inserts Available

Aluminum Frame Glass

- Fresco Brushed Aluminum
- Vetro Brushed Aluminum

Camed Glass

- Chateau
- Classic Camed Insert
- Palisades
- Penrose
- Victorian
- Yorkshire

Classic Glass

- Bistro
- Prepared for Glass
- Prism
- Shadow

Etched Glass

- Crossroads
- Lisbon
- Modern Frosted Insert
- Prairie
- Satina

Layered Glass

- Antiquity
- Mirage
- Silk
- Wintersday

Specialty Inserts

- Chalkboard Insert

Textured Glass

- Cascade
- Dolace
- Modern Textured Insert
- Moire
- Ravenna
- Styx
- Vauxhall

Hincley Finishes

- ❖ Available as Standard
- Premium Upcharge

Cannon Grey Wood Grain	D81O	❖	
Dove White Wood Grain	WH	❖	

Hincley Cannon Grey	AH4L9
Hincley Dove White	AH4W9

Hurley

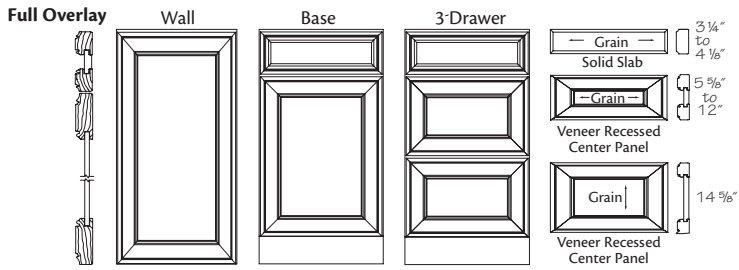
Full Overlay

AA6C9 Cherry

Price Column L

AA6M9 Maple

Price Column J



- Solid wood mitered door frame with 3" stiles and rails
- Square veneer recessed panel on wall and base doors
- Drawer front varies depending on height
- Concealed hinge
- Decorative hardware is required

Decorative Doors & Inserts Available

Aluminum Frame Glass

- Fresco Brushed Aluminum
- Vetro Brushed Aluminum

Camed Glass

- Chateau
- Classic Camed Insert
- Palisades
- Penrose
- Victorian
- Yorkshire

Classic Glass

- Bistro
- Prepared for Glass
- Prism
- Shadow

Etched Glass

- Crossroads
- Lisbon
- Modern Frosted Insert
- Prairie
- Satina

Layered Glass

- Antiquity
- Mirage
- Silk
- Wintersday

Mullion Doors

- Castlegate
- Evansville
- Hewitt
- Showcase Mullion
- Traditional Mullion

Specialty Inserts

- Chalkboard Insert

Textured Glass

- Cascade
- Dolace
- Modern Textured Insert
- Moire
- Ravenna
- Styx
- Vauxhall

Hurley Finishes

- ❖ Available as Standard
- Premium Upcharge

		Hurley Cherry Square	Hurley Maple Square
Autumn Blush	AB	❖	
Autumn Blush Suede	C21	●	
Autumn Blush W/Onyx Glaze	A56	●	
Autumn Blush W/Onyx Glaze Suede	E10	●	
Baltic	D78	❖	
Baltic Suede	D80	●	
Bonsai	E69		●
Bonsai Suede	E70		●
Burmese	E67		●
Burmese Suede	E68		●
Cannon Grey	D81	❖	
Cannon Grey Suede	D83	●	
Canvas	CV		●
Canvas Suede	D37		●
Canvas W/Cinder Glaze	B90		●
Canvas W/Cinder Glaze Suede	E26		●
Canvas W/Cocoa Glaze Suede	E27		●
Canvas W/Cocoa Glaze	VG		●
Chestnut	CN	❖	
Chestnut Suede	C23		●
Chestnut W/Onyx Glaze	A54		●
Chestnut W/Onyx Glaze Suede	E12		●
Chocolate	CC	❖	❖
Chocolate Suede	D87	●	●
Chocolate W/Ebony Glaze	EG		●
Chocolate W/Ebony Glaze Suede	E13	●	●
Cinnamon	CA	❖	❖
Cinnamon Suede	C74	●	●
Cinnamon W/Onyx Glaze	A48	●	●
Cinnamon W/Onyx Glaze Suede	E14	●	●
Cognac	CO	❖	❖
Cognac Suede	D85	●	●
Dove White	DW		●
Dove White Suede	D40		●
Dove White W/Cinder Glaze	B89		●
Dove White W/Cinder Glaze Suede	E30		●
Dove White W/Cocoa Glaze	A15		●
Dove White W/Cocoa Glaze Suede	E31		●
Ginger	C88	❖	❖
Ginger Suede	C19	●	●
Ginger W/Sable Glaze	C11	●	●
Ginger W/Sable Glaze Suede	E15	●	●
Greyloft	B65		●
Greyloft Suede	D41		●
Greyloft W/Sable Glaze	B66		●
Greyloft W/Sable Glaze Suede	E32		●
Honey Spice	HS	❖	❖
Honey Spice Suede	D88	●	●
Husk	B82	❖	
Husk Suede	C13	●	
Kaffé	KA	❖	❖
Kaffé Suede	C27	●	●
Lagoon	E63		●
Lagoon Suede	E64		●
Linen	D90		●
Linen Suede	D93		●
Linen W/Cinder Glaze	D96		●
Linen W/Cinder Glaze Suede	E33		●
Linen W/Cocoa Glaze	D94		●
Linen W/Cocoa Glaze Suede	E34		●
Midnight	B69		●
Midnight Suede	D42		●
Midnight W/Onyx Glaze	B70		●
Midnight W/Onyx Glaze Suede	E35		●
Molasses	E58	❖	❖

		Hurley Cherry Square	Hurley Maple Square
Molasses Suede	E59	●	●
Moonshine	D98		●
Moonshine Suede	E02		●
Moonshine W/Cinder Glaze	E04		●
Moonshine W/Cinder Glaze Suede	E36		●
Moonshine W/Cocoa Glaze	E03		●
Moonshine W/Cocoa Glaze Suede	E37		●
Natural	NA	❖	❖
Natural Suede	D89	●	●
Onyx	A21		●
Onyx Suede	D44		●
Pebble Grey	B83		●
Pebble Grey Suede	D45		●
Pebble Grey W/Cocoa Glaze	B84		●
Pebble Grey W/Cocoa Glaze Suede	E40		●
Peppercorn	PC	❖	❖
Peppercorn Suede	D53	●	●
Praline	PR	❖	❖
Praline Suede	C78	●	●
Praline W/Onyx Glaze	A45		●
Praline W/Onyx Glaze Suede	E16		●
Saddle	B81	❖	❖
Saddle Suede	C12	●	●
Slate	B64	❖	❖
Slate Suede	C72	●	●
Sunset	SU	❖	
Sunset Suede	D49	●	
Surfside	E65		●
Surfside Suede	E66		●
Unfinished	UF	❖	❖

Jade

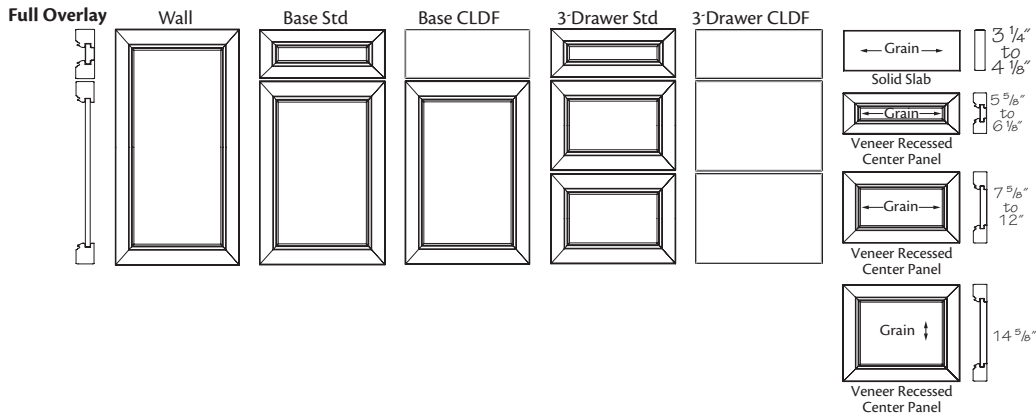
Full Overlay

AJ2C9 Cherry

Price Column O

AJ2M9 Maple

Price Column M



- Solid wood mitered door frame with 2 5/8" stiles and rails
- Square veneer recessed panel on wall and base doors
- Five-piece drawer front
- Classic Drawer Front (CLDF) option available
- 5 5/8" and 6 1/8" high drawer fronts have 2 1/4" stiles and rails
- Concealed hinge
- Decorative hardware is required

Decorative Doors & Inserts Available

Aluminum Frame Glass

- Fresco Brushed Aluminum
- Vetro Brushed Aluminum

Camed Glass

- Chateau
- Classic Camed Insert
- Palisades
- Penrose
- Victorian
- Yorkshire

Classic Glass

- Bistro
- Prepared for Glass
- Prism
- Shadow

Etched Glass

- Crossroads
- Lisbon
- Modern Frosted Insert
- Prairie
- Satina

Layered Glass

- Antiquity
- Mirage
- Silk
- Wintersday

Mullion Doors

- Castlegate
- Evansville
- Hewitt
- Showcase Mullion
- Traditional Mullion

Specialty Inserts

- Chalkboard Insert

Textured Glass

- Cascade
- Dolace
- Modern Textured Insert
- Moire
- Ravenna
- Styx
- Vauxhall

Jade Finishes

- ❖ Available as Standard
- Premium Upcharge

		A12C9	A12M9
		Jade Cherry	Jade Maple
Autumn Blush	AB	❖	
Autumn Blush Suede	C21	●	
Autumn Blush W/Onyx Glaze	A56	●	
Autumn Blush W/Onyx Glaze Suede	E10	●	
Baltic	D78	❖	
Baltic Suede	D80	●	
Bonsai	E69		●
Bonsai Suede	E70		●
Burmese	E67		●
Burmese Suede	E68		●
Cannon Grey	D81	❖	
Cannon Grey Suede	D83	●	
Canvas	CV		●
Canvas Suede	D37		●
Canvas W/Cinder Glaze	B90		●
Canvas W/Cinder Glaze Suede	E26		●
Canvas W/Cocoa Glaze Suede	E27		●
Canvas W/Cocoa Glaze	VG		●
Chestnut	CN	❖	
Chestnut Suede	C23		●
Chestnut W/Onyx Glaze	A54		●
Chestnut W/Onyx Glaze Suede	E12		●
Chocolate	CC	❖	❖
Chocolate Suede	D87	●	●
Chocolate W/Ebony Glaze	EG		
Chocolate W/Ebony Glaze Suede	E13		●
Cinnamon	CA	❖	❖
Cinnamon Suede	C74		●
Cinnamon W/Onyx Glaze	A48		●
Cinnamon W/Onyx Glaze Suede	E14		●
Cognac	CO	❖	❖
Cognac Suede	D85	●	●
Dove White	DW		●
Dove White Suede	D40		●
Dove White W/Cinder Glaze	B89		●
Dove White W/Cinder Glaze Suede	E30		●
Dove White W/Cocoa Glaze	A15		●
Dove White W/Cocoa Glaze Suede	E31		●
Ginger	C88	❖	❖
Ginger Suede	C19	●	●
Ginger W/Sable Glaze	C11	●	●
Ginger W/Sable Glaze Suede	E15	●	●
Greyloft	B65		●
Greyloft Suede	D41		●
Greyloft W/Sable Glaze	B66		●
Greyloft W/Sable Glaze Suede	E32		●
Honey Spice	HS	❖	❖
Honey Spice Suede	D88	●	●
Husk	B82	❖	
Husk Suede	C13	●	
Kaffé	KA	❖	❖
Kaffé Suede	C27	●	●
Lagoon	E63		●
Lagoon Suede	E64		●
Linen	D90		●
Linen Suede	D93		●
Linen W/Cinder Glaze	D96		●
Linen W/Cinder Glaze Suede	E33		●
Linen W/Cocoa Glaze	D94		●
Linen W/Cocoa Glaze Suede	E34		●
Midnight	B69		●
Midnight Suede	D42		●
Midnight W/Onyx Glaze	B70		●
Midnight W/Onyx Glaze Suede	E35		●
Molasses	E58	❖	❖

		A12C9	A12M9
		Jade Cherry	Jade Maple
Molasses Suede	E59	●	●
Moonshine	D98		●
Moonshine Suede	E02		●
Moonshine W/Cinder Glaze	E04		●
Moonshine W/Cinder Glaze Suede	E36		●
Moonshine W/Cocoa Glaze	E03		●
Moonshine W/Cocoa Glaze Suede	E37		●
Natural	NA	❖	❖
Natural Suede	D89	●	●
Onyx	A21		●
Onyx Suede	D44		●
Pebble Grey	B83		●
Pebble Grey Suede	D45		●
Pebble Grey W/Cocoa Glaze	B84		●
Pebble Grey W/Cocoa Glaze Suede	E40		●
Peppercorn	PC	❖	❖
Peppercorn Suede	D53	●	●
Praline	PR	❖	❖
Praline Suede	C78	●	●
Praline W/Onyx Glaze	A45		●
Praline W/Onyx Glaze Suede	E16		●
Saddle	B81	❖	❖
Saddle Suede	C12	●	●
Slate	B64	❖	❖
Slate Suede	C72	●	●
Sunset	SU	❖	
Sunset Suede	D49	●	
Surfside	E65		●
Surfside Suede	E66		●
Unfinished	UF	❖	❖

Jarvis

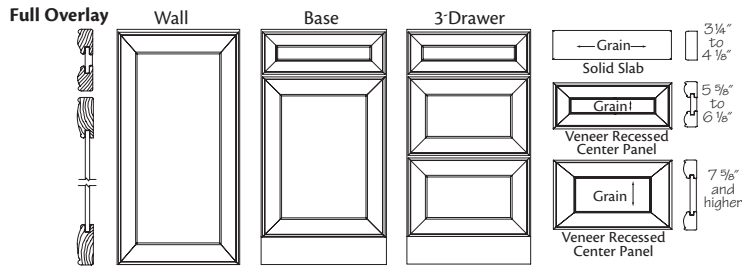
Full Overlay

AB5C9 Cherry

Price Column L

AB5M9 Maple

Price Column J



- Solid wood mitered door frame with 2 3/4" stiles and rails
- Square veneer recessed panel on wall and base doors
- Drawer front varies depending on height
- Wood grain orientation on drawer fronts is vertical, unless noted
- Concealed hinge
- Decorative hardware is required

Decorative Doors & Inserts Available

Aluminum Frame Glass

- Fresco Brushed Aluminum
- Vetro Brushed Aluminum

Camed Glass

- Chateau
- Classic Camed Insert
- Palisades
- Penrose
- Victorian
- Yorkshire

Classic Glass

- Bistro
- Prepared for Glass
- Prism
- Shadow

Etched Glass

- Crossroads
- Lisbon
- Modern Frosted Insert
- Prairie
- Satina

Layered Glass

- Antiquity
- Mirage
- Silk
- Wintersday

Mullion Doors

- Castlegate
- Evansville
- Hewitt
- Showcase Mullion
- Traditional Mullion

Specialty Inserts

- Chalkboard Insert

Textured Glass

- Cascade
- Dolace
- Modern Textured Insert
- Moire
- Ravenna
- Styx
- Vauxhall

Jarvis Finishes

- ❖ Available as Standard
- Premium Upcharge

		Jarvis Cherry Square	Jarvis Maple Square
Autumn Blush	AB	❖	
Autumn Blush Suede	C21	●	
Autumn Blush W/Onyx Glaze	A56	●	
Autumn Blush W/Onyx Glaze Suede	E10	●	
Baltic	D78	❖	
Baltic Suede	D80	●	
Bonsai	E69	●	●
Bonsai Suede	E70	●	●
Burmese	E67	●	●
Burmese Suede	E68	●	●
Cannon Grey	D81	❖	
Cannon Grey Suede	D83	●	
Canvas	CV	●	
Canvas Suede	D37	●	
Canvas W/Cinder Glaze	B90	●	
Canvas W/Cinder Glaze Suede	E26	●	
Canvas W/Cocoa Glaze Suede	E27	●	
Canvas W/Cocoa Glaze	VG	●	
Chestnut	CN	❖	
Chestnut Suede	C23	●	
Chestnut W/Onyx Glaze	A54	●	
Chestnut W/Onyx Glaze Suede	E12	●	
Chocolate	CC	❖	❖
Chocolate Suede	D87	●	●
Chocolate W/Ebony Glaze	EG	●	
Chocolate W/Ebony Glaze Suede	E13	●	
Cinnamon	CA	❖	❖
Cinnamon Suede	C74	●	●
Cinnamon W/Onyx Glaze	A48	●	●
Cinnamon W/Onyx Glaze Suede	E14	●	●
Cognac	CO	❖	❖
Cognac Suede	D85	●	●
Dove White	DW	●	
Dove White Suede	D40	●	
Dove White W/Cinder Glaze	B89	●	
Dove White W/Cinder Glaze Suede	E30	●	
Dove White W/Cocoa Glaze	A15	●	
Dove White W/Cocoa Glaze Suede	E31	●	
Ginger	C88	❖	❖
Ginger Suede	C19	●	●
Ginger W/Sable Glaze	C11	●	●
Ginger W/Sable Glaze Suede	E15	●	●
Greyloft	B65	●	
Greyloft Suede	D41	●	
Greyloft W/Sable Glaze	B66	●	
Greyloft W/Sable Glaze Suede	E32	●	●
Honey Spice	H5	❖	❖
Honey Spice Suede	D88	●	●
Husk	B82	❖	
Husk Suede	C13	●	
Kaffé	KA	❖	❖
Kaffé Suede	C27	●	●
Lagoon	E63	●	
Lagoon Suede	E64	●	
Linen	D90	●	
Linen Suede	D93	●	
Linen W/Cinder Glaze	D96	●	
Linen W/Cinder Glaze Suede	E33	●	
Linen W/Cocoa Glaze	D94	●	
Linen W/Cocoa Glaze Suede	E34	●	
Midnight	B69	●	
Midnight Suede	D42	●	
Midnight W/Onyx Glaze	B70	●	
Midnight W/Onyx Glaze Suede	E35	●	
Molasses	E58	❖	❖
Molasses Suede	E59	●	●

		Jarvis Cherry Square	Jarvis Maple Square
Moonshine	D98	●	
Moonshine Suede	E02	●	
Moonshine W/Cinder Glaze	E04	●	
Moonshine W/Cinder Glaze Suede	E36	●	
Moonshine W/Cocoa Glaze	E03	●	
Moonshine W/Cocoa Glaze Suede	E37	●	
Natural	NA	❖	❖
Natural Suede	D89	●	●
Onyx	A21	●	
Onyx Suede	D44	●	
Pebble Grey	B83	●	
Pebble Grey Suede	D45	●	
Pebble Grey W/Cocoa Glaze	B84	●	
Pebble Grey W/Cocoa Glaze Suede	E40	●	
Peppercorn	PC	❖	❖
Peppercorn Suede	D53	●	●
Praline	PR	❖	❖
Praline Suede	C78	●	●
Praline W/Onyx Glaze	A45	●	
Praline W/Onyx Glaze Suede	E16	●	
Saddle	B81	❖	❖
Saddle Suede	C12	●	●
Slate	B64	❖	❖
Slate Suede	C72	●	●
Sunset	SU	❖	
Sunset Suede	D49	●	
Surfside	E65	●	
Surfside Suede	E66	●	●
Unfinished	UF	❖	❖

Jennings

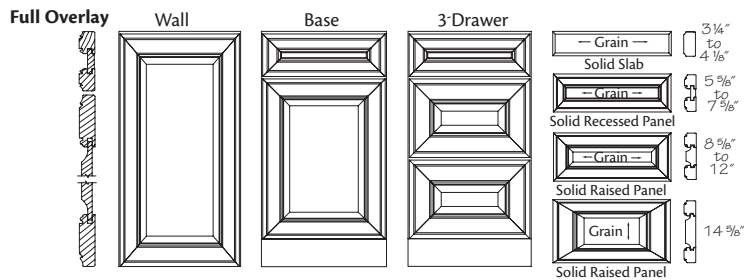
Full Overlay

AA5C9 Cherry

Price Column P

AA5M9 Maple

Price Column O



- Solid wood mitered door frame with 3" stiles and rails
- Square solid raised panel on wall and base doors
- Drawer front varies depending on height
- Concealed hinge
- Decorative hardware is required

Decorative Doors & Inserts Available

Aluminum Frame Glass

- Fresco Brushed Aluminum
- Vetro Brushed Aluminum

Camed Glass

- Chateau
- Classic Camed Insert
- Palisades
- Penrose
- Victorian
- Yorkshire

Classic Glass

- Bistro
- Prepared for Glass
- Prism
- Shadow

Etched Glass

- Crossroads
- Lisbon
- Modern Frosted Insert
- Prairie
- Satina

Layered Glass

- Antiquity
- Mirage
- Silk
- Wintersday

Mullion Doors

- Castlegate
- Evansville
- Hewitt
- Showcase Mullion
- Traditional Mullion

Specialty Inserts

- Chalkboard Insert

Textured Glass

- Cascade
- Dolace
- Modern Textured Insert
- Moire
- Ravenna
- Styx
- Vauxhall

Jennings Finishes

- ◆ Available as Standard
- Premium Upcharge

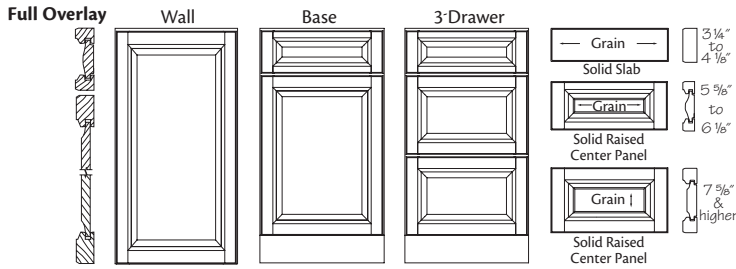
		Jennings Cherry Square	Jennings Maple Square
		AA5C9	AA5M9
Aged Concrete	E06	●	●
Aged Papyrus	E05	●	●
Aged River Rock	E07	●	●
Autumn Blush	AB	◆	
Autumn Blush Suede	C21	●	
Autumn Blush W/Onyx Glaze	A56	●	
Autumn Blush W/Onyx Glaze Suede	E10	●	
Baltic	D78	◆	
Baltic Suede	D80	●	
Bonsai	E69	●	●
Bonsai Suede	E70	●	●
Burmese	E67	●	●
Burmese Suede	E68	●	●
Cannon Grey	D81	◆	
Cannon Grey Suede	D83	●	
Canvas	CV	●	●
Canvas Suede	D37	●	●
Canvas W/Cinder Glaze	B90	●	●
Canvas W/Cinder Glaze Suede	E26	●	●
Canvas W/Cocoa Glaze Suede	E27	●	●
Canvas W/Cocoa Glaze	VG	●	●
Chestnut	CN	◆	
Chestnut Suede	C23	●	
Chestnut W/Onyx Glaze	A54	●	●
Chestnut W/Onyx Glaze Suede	E12	●	●
Chocolate	CC	◆	◆
Chocolate Suede	D87	●	●
Chocolate W/Ebony Glaze	EG	●	●
Chocolate W/Ebony Glaze Suede	E13	●	●
Cinnamon	CA	◆	◆
Cinnamon Suede	C74	●	●
Cinnamon W/Onyx Glaze	A48	●	●
Cinnamon W/Onyx Glaze Suede	E14	●	●
Cognac	CO	◆	◆
Cognac Suede	D85	●	●
Distressed Autumn Blush	C22	●	
Distressed Baltic	D79	●	
Distressed Cannon Grey	D82	●	
Distressed Chestnut	C24	●	●
Distressed Chocolate	D86	●	●
Distressed Cinnamon	C75	●	●
Distressed Cognac	D84	●	●
Distressed Ginger	C20	●	●
Distressed Husk	C15	●	●
Distressed Kaffé	C28	●	●
Distressed Molasses	E60	●	●
Distressed Peppercorn	C86	●	●
Distressed Praline	C79	●	●
Distressed Saddle	C14	●	●
Distressed Slate	C73	●	●
Distressed Sunset	D50	●	
Dove White	DW	●	●
Dove White Suede	D40	●	●
Dove White W/Cinder Glaze	B89	●	●
Dove White W/Cinder Glaze Suede	E30	●	●
Dove White W/Cocoa Glaze	A15	●	●
Dove White W/Cocoa Glaze Suede	E31	●	●
Ginger	C88	◆	◆
Ginger Suede	C19	●	●
Ginger W/Sable Glaze	C11	●	●
Ginger W/Sable Glaze Suede	E15	●	●
Greyloft	B65	●	●
Greyloft Suede	D41	●	●
Greyloft W/Sable Glaze	B66	●	●
Greyloft W/Sable Glaze Suede	E32	●	●

		Jennings Cherry Square	Jennings Maple Square
		AA5C9	AA5M9
Honey Spice	HS	◆	◆
Honey Spice Suede	D88	●	●
Husk	B82	◆	
Husk Suede	C13	●	
Kaffé	KA	◆	◆
Kaffé Suede	C27	●	●
Lagoon	E63	●	●
Lagoon Suede	E64	●	●
Linen	D90	●	●
Linen Suede	D93	●	●
Linen W/Cinder Glaze	D96	●	●
Linen W/Cinder Glaze Suede	E33	●	●
Linen W/Cocoa Glaze	D94	●	●
Linen W/Cocoa Glaze Suede	E34	●	●
Midnight	B69	●	●
Midnight Suede	D42	●	●
Midnight W/Onyx Glaze	B70	●	●
Midnight W/Onyx Glaze Suede	E35	●	●
Molasses	E58	◆	◆
Molasses Suede	E59	●	●
Moonshine	D98	●	●
Moonshine Suede	E02	●	●
Moonshine W/Cinder Glaze	E04	●	●
Moonshine W/Cinder Glaze Suede	E36	●	●
Moonshine W/Cocoa Glaze	E03	●	●
Moonshine W/Cocoa Glaze Suede	E37	●	●
Natural	NA	◆	◆
Natural Suede	D89	●	●
Onyx	A21	●	●
Onyx Suede	D44	●	●
Pebble Grey	B83	●	●
Pebble Grey Suede	D45	●	●
Pebble Grey W/Cocoa Glaze	B84	●	●
Pebble Grey W/Cocoa Glaze Suede	E40	●	●
Peppercorn	PC	◆	◆
Peppercorn Suede	D53	●	●
Praline	PR	◆	◆
Praline Suede	C78	●	●
Praline W/Onyx Glaze	A45	●	●
Praline W/Onyx Glaze Suede	E16	●	●
Saddle	B81	◆	◆
Saddle Suede	C12	●	●
Slate	B64	◆	◆
Slate Suede	C72	●	●
Sunset	SU	◆	
Sunset Suede	D49	●	
Surfside	E65	●	●
Surfside Suede	E66	●	●
Unfinished	UF	◆	◆
Vintage Canvas	VC	●	●
Vintage Canvas Suede	E42	●	●
Vintage Dove White	VD	●	●
Vintage Dove White Suede	E44	●	●
Vintage Greyloft	B67	●	●
Vintage Greyloft Suede	E45	●	●
Vintage Linen	D91	●	●
Vintage Linen Suede	E46	●	●
Vintage Midnight	B71	●	●
Vintage Midnight Suede	E47	●	●
Vintage Moonshine	D99	●	●
Vintage Moonshine Suede	E48	●	●
Vintage Onyx	VO	●	●
Vintage Onyx Suede	E50	●	●
Vintage Pebble Grey	B86	●	●
Vintage Pebble Grey Suede	E51	●	●

Knoxville

Full Overlay

PKC9	Cherry	Price Column N
PKD9	EverCore™	Price Column J
PKM9	Maple	Price Column L



- Solid wood door frame with 2 3/16" stiles and rails, except EverCore™, which will be mechanically compressed wood fiber
- Square solid raised panel on wall and base doors, except EverCore™, which will be mechanically compressed wood fiber
- Drawer front varies depending on height
- Concealed hinge
- Decorative hardware is required

Decorative Doors & Inserts Available

Aluminum Frame Glass

- Fresco Brushed Aluminum
- Vetro Brushed Aluminum

Camed Glass

- Chateau
- Classic Camed Insert
- Palisades
- Penrose
- Victorian
- Yorkshire

Classic Glass

- Bistro
- Prepared for Glass
- Prism
- Shadow

Etched Glass

- Crossroads
- Lisbon
- Modern Frosted Insert
- Prairie
- Satina

Layered Glass

- Antiquity
- Mirage
- Silk
- Wintersday

Mullion Doors

- Castlegate ■
- Evansville ■
- Hewitt ■
- Palladia ■
- Raleigh ■
- Showcase Mullion ■
- Traditional Mullion ■

Specialty Inserts

- Chalkboard Insert

Textured Glass

- Cascade
- Dolace
- Modern Textured Insert
- Moire
- Ravenna
- Styx
- Vauxhall

■ Not available in EverCore™ door styles

Knoxville Finishes

- ❖ Available as Standard
- Premium Upcharge

		PKC9	PKD9	PKM9
	Knoxville Cherry Square			
	Knoxville EverCore™			
	Knoxville Maple Square			
Aged Concrete	E06			●
Aged Papyrus	E05			●
Aged River Rock	E07			●
Autumn Blush	AB	❖		
Autumn Blush Suede	C21	●		
Autumn Blush W/Onyx Glaze	A56	●		
Autumn Blush W/Onyx Glaze Suede	E10	●		
Baltic	D78	❖		
Baltic Suede	D80	●		
Bonsai	E69		●	●
Bonsai Suede	E70		●	●
Burmese	E67		●	●
Burmese Suede	E68		●	●
Cannon Grey	D81	❖		
Cannon Grey Suede	D83	●		
Canvas	CV		●	●
Canvas Suede	D37		●	●
Canvas W/Cinder Glaze	B90			●
Canvas W/Cinder Glaze Suede	E26			●
Canvas W/Cocoa Glaze Suede	E27			●
Canvas W/Cocoa Glaze	VG			●
Chestnut	CN			❖
Chestnut Suede	C23			●
Chestnut W/Onyx Glaze	A54			●
Chestnut W/Onyx Glaze Suede	E12			●
Chocolate	CC	❖		❖
Chocolate Suede	D87	●		●
Chocolate W/Ebony Glaze	EG	●		
Chocolate W/Ebony Glaze Suede	E13	●		
Cinnamon	CA	❖		❖
Cinnamon Suede	C74	●		●
Cinnamon W/Onyx Glaze	A48	●		●
Cinnamon W/Onyx Glaze Suede	E14	●		●
Cognac	CO	❖		❖
Cognac Suede	D85	●		●
Distressed Autumn Blush	C22	●		
Distressed Baltic	D79	●		
Distressed Cannon Grey	D82	●		
Distressed Chestnut	C24	●		●
Distressed Chocolate	D86	●		●
Distressed Cinnamon	C75	●		●
Distressed Cognac	D84	●		●
Distressed Ginger	C20	●		●
Distressed Husk	C15	●		●
Distressed Kaffé	C28	●		●
Distressed Molasses	E60	●		●
Distressed Peppercorn	C86	●		●
Distressed Praline	C79	●		●
Distressed Saddle	C14	●		●
Distressed Slate	C73	●		●
Distressed Sunset	D50	●		
Dove White	DW		●	●
Dove White Suede	D40		●	●
Dove White W/Cinder Glaze	B89			●
Dove White W/Cinder Glaze Suede	E30			●
Dove White W/Cocoa Glaze	A15			●
Dove White W/Cocoa Glaze Suede	E31			●
Ginger	C88	❖		❖
Ginger Suede	C19	●		●
Ginger W/Sable Glaze	C11	●		●
Ginger W/Sable Glaze Suede	E15	●		●
Greyloft	B65		●	●
Greyloft Suede	D41		●	●
Greyloft W/Sable Glaze	B66			●
Greyloft W/Sable Glaze Suede	E32			●
Honey Spice	HS	❖		❖

		PKC9	PKD9	PKM9
	Knoxville Cherry Square			
	Knoxville EverCore™			
	Knoxville Maple Square			
Honey Spice Suede	D88	●		●
Husk	B82	❖		
Husk Suede	C13	●		
Kaffé	KA	❖		❖
Kaffé Suede	C27	●		●
Lagoon	E63		●	●
Lagoon Suede	E64		●	●
Linen	D90		●	●
Linen Suede	D93		●	●
Linen W/Cinder Glaze	D96			●
Linen W/Cinder Glaze Suede	E33			●
Linen W/Cocoa Glaze	D94			●
Linen W/Cocoa Glaze Suede	E34			●
Midnight	B69		●	
Midnight Suede	D42		●	●
Midnight W/Onyx Glaze	B70			●
Midnight W/Onyx Glaze Suede	E35			●
Molasses	E58	❖		❖
Molasses Suede	E59	●		●
Moonshine	D98		●	●
Moonshine Suede	E02		●	●
Moonshine W/Cinder Glaze	E04			●
Moonshine W/Cinder Glaze Suede	E36			●
Moonshine W/Cocoa Glaze	E03			●
Moonshine W/Cocoa Glaze Suede	E37			●
Natural	NA	❖		❖
Natural Suede	D89	●		●
Onyx	A21		●	●
Onyx Suede	D44		●	●
Pebble Grey	B83		●	●
Pebble Grey Suede	D45		●	●
Pebble Grey W/Cocoa Glaze	B84			●
Pebble Grey W/Cocoa Glaze Suede	E40			●
Peppercorn	PC	❖		❖
Peppercorn Suede	D53	●		●
Praline	PR	❖		❖
Praline Suede	C78	●		●
Praline W/Onyx Glaze	A45			●
Praline W/Onyx Glaze Suede	E16			●
Saddle	B81	❖		❖
Saddle Suede	C12	●		●
Slate	B64	❖		❖
Slate Suede	C72	●		●
Sunset	SU	❖		❖
Sunset Suede	D49	●		●
Surfside	E65		●	●
Surfside Suede	E66		●	●
Unfinished	UF	❖		❖
Vintage Canvas	VC	●		
Vintage Canvas Suede	E42	●		
Vintage Dove White	VD	●		
Vintage Dove White Suede	E44	●		
Vintage Greyloft	B67	●		
Vintage Greyloft Suede	E45	●		
Vintage Linen	D91	●		
Vintage Linen Suede	E46	●		
Vintage Midnight	B71	●		
Vintage Midnight Suede	E47	●		
Vintage Moonshine	D99	●		
Vintage Moonshine Suede	E48	●		
Vintage Onyx	VO	●		
Vintage Onyx Suede	E50	●		
Vintage Pebble Grey	B86	●		
Vintage Pebble Grey Suede	E51	●		

Ladon

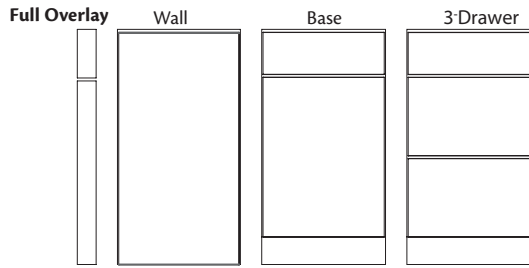
Full Overlay

AH2L9 Cannon Grey Wood-Grain Foil

Price Column D

AH2W9 Dove White Wood-Grain Foil

Price Column D



- Thermofoil on 3/4" thick MDF substrate
- Slab with square banded edges on wall & base doors
- Slab drawer front
- Wood grain orientation on door and drawer fronts is vertical; **not** book matched between pieces
- Concealed hinge
- Decorative hardware is required
- **Note:** Cabinet box and most accessories will have a coordinating smooth white finish for Dove White Wood-Grain Foil or an oak texture finish for Cannon Grey Wood-Grain Foil door styles; select accessories will be offered in matching foil material (refer to individual items for specific details)

Decorative Doors & Inserts Available

Aluminum Frame Glass

- Fresco Brushed Aluminum
- Vetro Brushed Aluminum

Ladon Finishes

- ❖ Available as Standard
- Premium Upcharge

Cannon Grey Wood Grain	D81O	❖
Dove White Wood Grain	WH	❖

Ladon Cannon Grey	AH2L9
Ladon Dove White	AH2W9

Levan

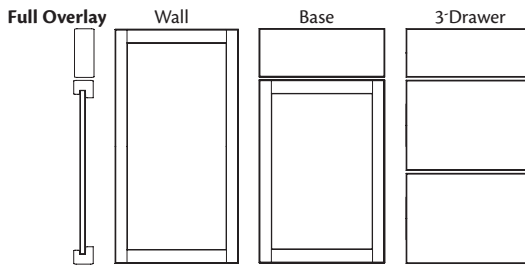
Full Overlay

AJ4C9 Cherry

Price Column F

AJ4M9 Maple

Price Column E



- Solid wood door frame with 1 3/4" stiles and rails on face (2 3/16" stiles and rails on back)
- Square veneer recessed panel on wall and base doors
- Slab drawer front
- Concealed hinge
- Decorative hardware is required
- **Note:** Glass doors and doors prepared for insert will default to Martel

Decorative Doors & Inserts Available

Aluminum Frame Glass

- Fresco Brushed Aluminum
- Vetro Brushed Aluminum

Camed Glass

- Chateau
- Classic Camed Insert
- Palisades
- Penrose
- Victorian
- Yorkshire

Classic Glass

- Bistro
- Prepared for Glass
- Prism
- Shadow

Etched Glass

- Crossroads
- Lisbon
- Modern Frosted Insert
- Prairie
- Satina

Layered Glass

- Antiquity
- Mirage
- Silk
- Wintersday

Mullion Doors

- Castlegate
- Evansville
- Hewitt
- Palladia
- Raleigh
- Showcase Mullion
- Traditional Mullion

Specialty Inserts

- Chalkboard Insert

Textured Glass

- Cascade
- Dolace
- Modern Textured Insert
- Moire
- Ravenna
- Styx
- Vauxhall

Levan Finishes

- ❖ Available as Standard
- Premium Upcharge

		Levan Cherry	Levan Maple
Autumn Blush	AB	❖	
Autumn Blush Suede	C21	●	
Autumn Blush W/Onyx Glaze	A56	●	
Autumn Blush W/Onyx Glaze Suede	E10	●	
Baltic	D78	❖	
Baltic Suede	D80	●	
Bonsai	E69		●
Bonsai Suede	E70		●
Burmese	E67		●
Burmese Suede	E68		●
Cannon Grey	D81	❖	
Cannon Grey Suede	D83	●	
Canvas	CV		●
Canvas Suede	D37		●
Canvas W/Cinder Glaze	B90		●
Canvas W/Cinder Glaze Suede	E26		●
Canvas W/Cocoa Glaze Suede	E27		●
Canvas W/Cocoa Glaze	VG		●
Chestnut	CN	❖	
Chestnut Suede	C23	●	
Chestnut W/Onyx Glaze	A54		●
Chestnut W/Onyx Glaze Suede	E12		●
Chocolate	CC	❖	❖
Chocolate Suede	D87	●	
Chocolate W/Ebony Glaze	EG	●	
Chocolate W/Ebony Glaze Suede	E13	●	
Cinnamon	CA	❖	❖
Cinnamon Suede	C74	●	●
Cinnamon W/Onyx Glaze	A48	●	●
Cinnamon W/Onyx Glaze Suede	E14	●	●
Cognac	CO	❖	❖
Cognac Suede	D85	●	●
Dove White	DW		●
Dove White Suede	D40		●
Dove White W/Cinder Glaze	B89		●
Dove White W/Cinder Glaze Suede	E30		●
Dove White W/Cocoa Glaze	A15		●
Dove White W/Cocoa Glaze Suede	E31		●
Ginger	C88	❖	❖
Ginger Suede	C19	●	●
Ginger W/Sable Glaze	C11	●	●
Ginger W/Sable Glaze Suede	E15	●	●
Greyloft	B65		●
Greyloft Suede	D41		●
Greyloft W/Sable Glaze	B66		●
Greyloft W/Sable Glaze Suede	E32		●
Honey Spice	HS	❖	❖
Honey Spice Suede	D88	●	●
Husk	B82	❖	
Husk Suede	C13	●	
Kaffé	KA	❖	❖
Kaffé Suede	C27	●	●
Lagoon	E63		●
Lagoon Suede	E64		●
Linen	D90		●
Linen Suede	D93		●
Linen W/Cinder Glaze	D96		●
Linen W/Cinder Glaze Suede	E33		●
Linen W/Cocoa Glaze	D94		●
Linen W/Cocoa Glaze Suede	E34		●
Midnight	B69		●
Midnight Suede	D42		●
Midnight W/Onyx Glaze	B70		●
Midnight W/Onyx Glaze Suede	E35		●
Molasses	E58	❖	❖
Molasses Suede	E59	●	●
Moonshine	D98		●

		Levan Cherry	Levan Maple
Moonshine Suede	E02		●
Moonshine W/Cinder Glaze	E04		●
Moonshine W/Cinder Glaze Suede	E36		●
Moonshine W/Cocoa Glaze	E03		●
Moonshine W/Cocoa Glaze Suede	E37		●
Natural	NA	❖	❖
Natural Suede	D89	●	●
Onyx	A21		●
Onyx Suede	D44		●
Pebble Grey	B83		●
Pebble Grey Suede	D45		●
Pebble Grey W/Cocoa Glaze	B84		●
Pebble Grey W/Cocoa Glaze Suede	E40		●
Peppercorn	PC	❖	❖
Peppercorn Suede	D53	●	●
Praline	PR	❖	❖
Praline Suede	C78	●	●
Praline W/Onyx Glaze	A45		●
Praline W/Onyx Glaze Suede	E16		●
Saddle	B81	❖	❖
Saddle Suede	C12	●	●
Slate	B64	❖	❖
Slate Suede	C72	●	●
Sunset	SU	●	
Sunset Suede	D49	●	
Surfside	E65		●
Surfside Suede	E66		●
Unfinished	UF	❖	❖

Lucca

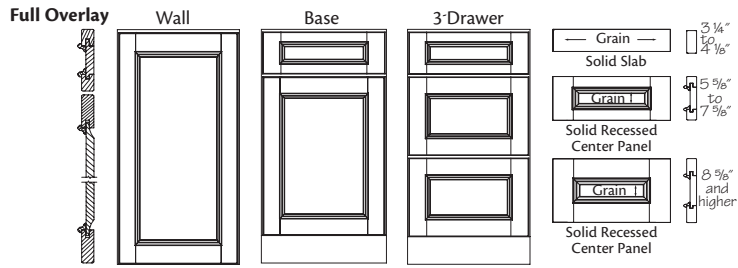
Full Overlay

AB3C9 Cherry

Price Column R

AB3M9 Maple

Price Column Q



- Solid wood door frame with 2 5/8" stiles and rails
- Square solid recessed panel on wall and base doors
- Applied decorative molding
- Drawer front varies depending on height
- Wood grain orientation on drawer fronts is vertical, unless noted
- Concealed hinge
- Decorative hardware is required

Decorative Doors & Inserts Available

Aluminum Frame Glass

- Fresco Brushed Aluminum
- Vetro Brushed Aluminum

Camed Glass

- Chateau
- Classic Camed Insert
- Palisades
- Penrose
- Victorian
- Yorkshire

Classic Glass

- Bistro
- Prepared for Glass
- Shadow

Etched Glass

- Crossroads
- Lisbon
- Prairie
- Satina

Layered Glass

- Antiquity
- Mirage
- Silk
- Wintersday

Mullion Doors

- Castlegate
- Evansville
- Hewitt
- Showcase Mullion
- Traditional Mullion

Specialty Inserts

- Chalkboard Insert

Textured Glass

- Cascade
- Dolace
- Modern Textured Insert
- Moire
- Ravenna
- Styx
- Vauxhall

Lucca Finishes

- ◆ Available as Standard
- Premium Upcharge

		Lucca Cherry	Lucca Maple
Aged Concrete	E06	●	●
Aged Papyrus	E05	●	●
Aged River Rock	E07	●	●
Autumn Blush	AB	◆	◆
Autumn Blush Suede	C21	●	●
Autumn Blush W/Onyx Glaze	A56	●	●
Autumn Blush W/Onyx Glaze Suede	E10	●	●
Baltic	D78	◆	◆
Baltic Suede	D80	●	●
Bonsai	E69	●	●
Bonsai Suede	E70	●	●
Burmese	E67	●	●
Burmese Suede	E68	●	●
Cannon Grey	D81	◆	◆
Cannon Grey Suede	D83	●	●
Canvas	CV	●	●
Canvas Suede	D37	●	●
Canvas W/Cinder Glaze	B90	●	●
Canvas W/Cinder Glaze Suede	E26	●	●
Canvas W/Cocoa Glaze Suede	E27	●	●
Canvas W/Cocoa Glaze	VG	●	●
Chestnut	CN	◆	◆
Chestnut Suede	C23	●	●
Chestnut W/Onyx Glaze	A54	●	●
Chestnut W/Onyx Glaze Suede	E12	●	●
Chocolate	CC	◆	◆
Chocolate Suede	D87	●	●
Chocolate W/Ebony Glaze	EG	●	●
Chocolate W/Ebony Glaze Suede	E13	●	●
Cinnamon	CA	◆	◆
Cinnamon Suede	C74	●	●
Cinnamon W/Onyx Glaze	A48	●	●
Cinnamon W/Onyx Glaze Suede	E14	●	●
Cognac	CO	◆	◆
Cognac Suede	D85	●	●
Distressed Autumn Blush	C22	●	●
Distressed Baltic	D79	●	●
Distressed Cannon Grey	D82	●	●
Distressed Chestnut	C24	●	●
Distressed Chocolate	D86	●	●
Distressed Cinnamon	C75	●	●
Distressed Cognac	D84	●	●
Distressed Ginger	C20	●	●
Distressed Husk	C15	●	●
Distressed Kaffé	C28	●	●
Distressed Molasses	E60	●	●
Distressed Peppercorn	C86	●	●
Distressed Praline	C79	●	●
Distressed Saddle	C14	●	●
Distressed Slate	C73	●	●
Distressed Sunset	D50	●	●
Dove White	DW	●	●
Dove White Suede	D40	●	●
Dove White W/Cinder Glaze	B89	●	●
Dove White W/Cinder Glaze Suede	E30	●	●
Dove White W/Cocoa Glaze	A15	●	●
Dove White W/Cocoa Glaze Suede	E31	●	●
Ginger	C88	◆	◆
Ginger Suede	C19	●	●
Ginger W/Sable Glaze	C11	●	●
Ginger W/Sable Glaze Suede	E15	●	●
Greyloft	B65	●	●
Greyloft Suede	D41	●	●
Greyloft W/Sable Glaze	B66	●	●
Greyloft W/Sable Glaze Suede	E32	●	●
Honey Spice	HS	◆	◆
Honey Spice Suede	D88	●	●
Husk	B82	◆	◆

		Lucca Cherry	Lucca Maple
Husk Suede	C13	●	●
Kaffé	KA	◆	◆
Kaffé Suede	C27	●	●
Lagoon	E63	●	●
Lagoon Suede	E64	●	●
Linen	D90	●	●
Linen Suede	D93	●	●
Linen W/Cinder Glaze	D96	●	●
Linen W/Cinder Glaze Suede	E33	●	●
Linen W/Cocoa Glaze	D94	●	●
Linen W/Cocoa Glaze Suede	E34	●	●
Midnight	B69	●	●
Midnight Suede	D42	●	●
Midnight W/Onyx Glaze	B70	●	●
Midnight W/Onyx Glaze Suede	E35	●	●
Molasses	E58	◆	◆
Molasses Suede	E59	●	●
Moonshine	D98	●	●
Moonshine Suede	E02	●	●
Moonshine W/Cinder Glaze	E04	●	●
Moonshine W/Cinder Glaze Suede	E36	●	●
Moonshine W/Cocoa Glaze	E03	●	●
Moonshine W/Cocoa Glaze Suede	E37	●	●
Natural	NA	◆	◆
Natural Suede	D89	●	●
Onyx	A21	●	●
Onyx Suede	D44	●	●
Pebble Grey	B83	●	●
Pebble Grey Suede	D45	●	●
Pebble Grey W/Cocoa Glaze	B84	●	●
Pebble Grey W/Cocoa Glaze Suede	E40	●	●
Peppercorn	PC	◆	◆
Peppercorn Suede	D53	●	●
Praline	PR	◆	◆
Praline Suede	C78	●	●
Praline W/Onyx Glaze	A45	●	●
Praline W/Onyx Glaze Suede	E16	●	●
Saddle	B81	◆	◆
Saddle Suede	C12	●	●
Slate	B64	◆	◆
Slate Suede	C72	●	●
Sunset	SU	◆	◆
Sunset Suede	D49	●	●
Surfside	E65	●	●
Surfside Suede	E66	●	●
Unfinished	UF	◆	◆
Vintage Canvas	VC	●	●
Vintage Canvas Suede	E42	●	●
Vintage Dove White	VD	●	●
Vintage Dove White Suede	E44	●	●
Vintage Greyloft	B67	●	●
Vintage Greyloft Suede	E45	●	●
Vintage Linen	D91	●	●
Vintage Linen Suede	E46	●	●
Vintage Midnight	B71	●	●
Vintage Midnight Suede	E47	●	●
Vintage Moonshine	D99	●	●
Vintage Moonshine Suede	E48	●	●
Vintage Onyx	VO	●	●
Vintage Onyx Suede	E50	●	●
Vintage Pebble Grey	B86	●	●
Vintage Pebble Grey Suede	E51	●	●

Martel

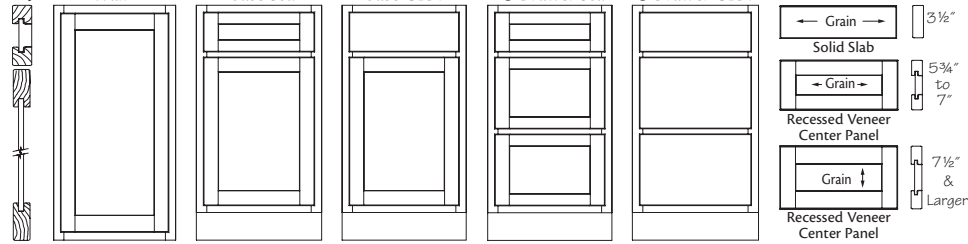
1/2" Overlay

AE8C9	Cherry	Price Column E
AE8D9	EverCore™	Price Column B
AE8H9	Hickory	Price Column B
AE8M9	Maple	Price Column D
AE8O9	Oak	Price Column B
AE8A9	Rustic Alder	Price Column D

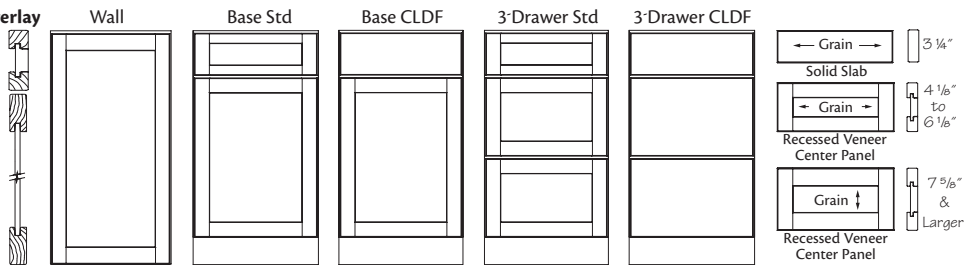
Full Overlay

MPC9	Cherry	Price Column I
MPD9	EverCore™	Price Column E
MPH9	Hickory	Price Column E
MPM9	Maple	Price Column G
MPO9	Oak	Price Column E
MPA9	Rustic Alder	Price Column G

1/2" Overlay



Full Overlay



- Solid wood door frame with 2 3/16" stiles and rails, except EverCore™, which will be mechanically compressed wood fiber
- Square veneer recessed panels on wall and base doors, except EverCore™, which will be mechanically compressed wood fiber
- Grain direction does **not** apply to EverCore™ doors
- Five-piece drawer front
- Classic Drawer Front (CLDF) option available
- Concealed hinge
- Decorative Hardware is required for full overlay
- **Note:** When CLDF option is applied, all drawer fronts will be slab
- **Note:** Rustic door styles feature knotty or character wood. It contains character marks such as heartwood, worm holes and mineral streaks of varying size. Components of these doors are chosen at random, with the appearance of each individual door varying widely from very rustic to relatively clear and unmarked

Decorative Doors & Inserts Available

Aluminum Frame Glass

- Fresco Brushed Aluminum ■
- Vetro Brushed Aluminum ■

Camed Glass

- Chateau
- Classic Camed Insert ■
- Palisades
- Penrose
- Victorian
- Yorkshire

Classic Glass

- Bistro
- Prepared for Glass
- Prism
- Shadow

Etched Glass

- Crossroads
- Lisbon
- Modern Frosted Insert ■
- Prairie
- Satina

Layered Glass

- Antiquity
- Mirage
- Silk
- Wintersday

Mullion Doors

- Castlegate ■ ▲ ★
- Evansville ■ ▲ ★
- Hewitt ■ ▲ ★
- Palladia ■ ● ★
- Raleigh ■ ● ★
- Showcase Mullion ▲ ★
- Traditional Mullion ▲ ★

Specialty Inserts

- Chalkboard Insert

Textured Glass

- Cascade
- Dolace
- Modern Textured Insert ■
- Moire
- Ravenna
- Styx
- Vauxhall

- Only available in full overlay door styles
- ▲ Only available in Cherry, Hickory, Maple & Oak door styles
- ★ **Not** available in Rustic door styles
- Only available in Cherry & Maple door styles

Martel Finishes

- ❖ Available as Standard
- Premium Upcharge

		MPC9	AE8C9	MPD9	AE8D9	MPH9	AE8H9	MPM9	AE8M9	MPO9	AE8O9	AE8A9	MPA9
		Martel Cherry - Full	Martel Cherry - Half	Martel EverCore™ - Full	Martel EverCore™ - Half	Martel Hickory - Full	Martel Hickory - Half	Martel Maple - Full	Martel Maple - Half	Martel Oak - Full	Martel Oak - Half	Martel Rustic Alder - Half	Martel Rustic Alder - Full
Autumn Blush	AB	❖	❖							❖	❖	❖	❖
Autumn Blush Suede	C21	●	●										●
Autumn Blush W/Onyx Glaze	A56	●	●							●	●	●	●
Autumn Blush W/Onyx Glaze Suede	E10	●	●							●	●	●	●
Baltic	D78	❖	❖							❖	❖	❖	❖
Baltic Suede	D80	●	●							●	●	●	●
Bonsai	E69			●	●			●	●				
Bonsai Suede	E70			●	●			●	●				
Burmese	E67			●	●			●	●				
Burmese Suede	E68			●	●			●	●				
Cannon Grey	D81	❖	❖							❖	❖	❖	❖
Cannon Grey Suede	D83	●	●							●	●	●	●
Canvas	CV			●	●			●	●				
Canvas Suede	D37			●	●			●	●				
Canvas W/Cinder Glaze	B90							●	●				
Canvas W/Cinder Glaze Suede	E26							●	●				
Canvas W/Cocoa Glaze Suede	E27							●	●				
Canvas W/Cocoa Glaze	VG							●	●				
Chestnut	CN							❖	❖				
Chestnut Suede	C23							●	●				
Chestnut W/Onyx Glaze	A54							●	●				
Chestnut W/Onyx Glaze Suede	E12							●	●				
Chocolate	CC	❖	❖					❖	❖			❖	❖
Chocolate Suede	D87	●	●					●	●			●	●
Chocolate W/Ebony Glaze	EG	●	●									●	●
Chocolate W/Ebony Glaze Suede	E13	●	●									●	●
Cinnamon	CA	❖	❖					❖	❖			❖	❖
Cinnamon Suede	C74	●	●					●	●			●	●
Cinnamon W/Onyx Glaze	A48	●	●					●	●			●	●
Cinnamon W/Onyx Glaze Suede	E14	●	●					●	●			●	●
Cognac	CO	❖	❖			❖	❖	❖	❖	❖	❖	❖	❖
Cognac Suede	D85	●	●			●	●	●	●	●	●	●	●
Dove White	DW			●	●			●	●				
Dove White Suede	D40			●	●			●	●				
Dove White W/Cinder Glaze	B89							●	●				
Dove White W/Cinder Glaze Suede	E30							●	●				
Dove White W/Cocoa Glaze	A15							●	●				
Dove White W/Cocoa Glaze Suede	E31							●	●				
Fawn	FN									❖	❖		
Fawn Suede	D51									●	●		
Ginger	C88	❖	❖			❖	❖	❖	❖	❖	❖	❖	❖
Ginger Suede	C19	●	●			●	●	●	●	●	●	●	●
Ginger W/Sable Glaze	C11	●	●			●	●	●	●	●	●	●	●
Ginger W/Sable Glaze Suede	E15	●	●			●	●	●	●	●	●	●	●
Greyloft	B65			●	●			●	●				
Greyloft Suede	D41			●	●			●	●				
Greyloft W/Sable Glaze	B66							●	●				
Greyloft W/Sable Glaze Suede	E32							●	●				
Honey Spice	HS	❖	❖			❖	❖	❖	❖	❖	❖	❖	❖
Honey Spice Suede	D88	●	●			●	●	●	●	●	●	●	●
Husk	B82	❖	❖			❖	❖	❖	❖	❖	❖	❖	❖
Husk Suede	C13	●	●			●	●			●	●	●	●
Kaffé	KA	❖	❖			❖	❖	❖	❖	❖	❖	❖	❖
Kaffé Suede	C27	●	●			●	●	●	●	●	●	●	●
Lagoon	E63			●	●			●	●				
Lagoon Suede	E64			●	●			●	●				
Linen	D90			●	●			●	●				
Linen Suede	D93			●	●			●	●				
Linen W/Cinder Glaze	D96							●	●				
Linen W/Cinder Glaze Suede	E33							●	●				
Linen W/Cocoa Glaze	D94							●	●				
Linen W/Cocoa Glaze Suede	E34							●	●				
Midnight	B69			●	●			●	●				
Midnight Suede	D42			●	●			●	●				

Martel Finishes continued

- ❖ Available as Standard
- Premium Upcharge

		MPC9	AE8C9	MPD9	AE8D9	MPH9	AE8H9	MPM9	AE8M9	MPO9	AE8O9	AE8A9	MPA9
		Martel Cherry - Full	Martel Cherry - Half	Martel EverCore™ - Full	Martel EverCore™ - Half	Martel Hickory - Full	Martel Hickory - Half	Martel Maple - Full	Martel Maple - Half	Martel Oak - Full	Martel Oak - Half	Martel Rustic Alder - Half	Martel Rustic Alder-Full
Midnight W/Onyx Glaze	B70							●	●				
Midnight W/Onyx Glaze Suede	E35							●	●				
Molasses	E58	❖	❖			❖	❖	❖	❖	❖	❖	❖	❖
Molasses Suede	E59	●	●			●	●	●	●	●	●	●	●
Moonshine	D98			●	●			●	●				
Moonshine Suede	E02			●	●			●	●				
Moonshine W/Cinder Glaze	E04							●	●				
Moonshine W/Cinder Glaze Suede	E36							●	●				
Moonshine W/Cocoa Glaze	E03							●	●				
Moonshine W/Cocoa Glaze Suede	E37							●	●				
Natural	NA	❖	❖			❖	❖	❖	❖	❖	❖	❖	❖
Natural Suede	D89	●	●			●	●	●	●	●	●	●	●
Onyx	A21			●	●			●	●	●	●		
Onyx Suede	D44			●	●			●	●	●	●		
Pebble Grey	B83			●	●			●	●				
Pebble Grey Suede	D45			●	●			●	●				
Pebble Grey W/Cocoa Glaze	B84							●	●				
Pebble Grey W/Cocoa Glaze Suede	E40							●	●				
Peppercorn	PC	❖	❖					❖	❖	❖	❖	❖	❖
Peppercorn Suede	D53	●	●					●	●	●	●	●	●
Praline	PR	❖	❖			❖	❖	❖	❖	❖	❖	❖	❖
Praline Suede	C78	●	●			●	●	●	●	●	●	●	●
Praline W/Onyx Glaze	A45					●	●	●	●				
Praline W/Onyx Glaze Suede	E16					●	●	●	●				
Saddle	B81	❖	❖			❖	❖	❖	❖	❖	❖	❖	❖
Saddle Suede	C12	●	●			●	●	●	●	●	●	●	●
Slate	B64	❖	❖			❖	❖	❖	❖	❖	❖		
Slate Suede	C72	●	●			●	●	●	●	●	●		
Sunset	SU	❖	❖			❖	❖					❖	❖
Sunset Suede	D49	●	●			●	●					●	●
Surfside	E65			●	●			●	●				
Surfside Suede	E66			●	●			●	●				
Unfinished	UF	❖	❖			❖	❖	❖	❖	❖	❖	❖	❖

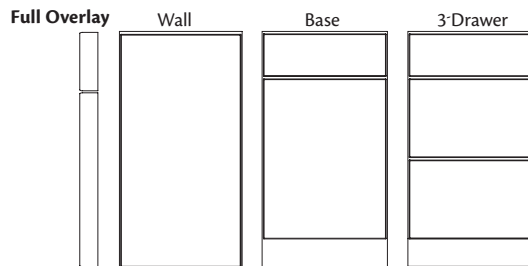
Notes

Maxum

Full Overlay

AG7L9 High-Gloss Foil

Price Column G



- Thermofoil on 3/4" thick MDF substrate
- Slab with square edges on wall & base doors
- Door edges are banded with matching high-gloss material
- Door backs have a corresponding color in a matte finish
- Slab drawer front
- Concealed hinge
- Decorative hardware is required
- **Note:** The cabinet interior, exterior and face frame supplied in coordinating matte sheen finish as standard
- **Note:** Accessories, except those available in high-gloss, will also have a coordinating matte sheen finish



We recommend ordering Specialty Panels (SPL), Filler Overlays (BFOL, DFOL, TFOL, VFOL, WFOL), Small Universal Molding (SUM8) and Large Universal Molding (LUM8) for a finished, high gloss look

Decorative Doors & Inserts Available

Aluminum Frame Glass

- Fresco Brushed Aluminum
- Vetro Brushed Aluminum

Maxum Finishes

- ❖ Available as Standard
- Premium Upcharge

Dove White High-Gloss D58

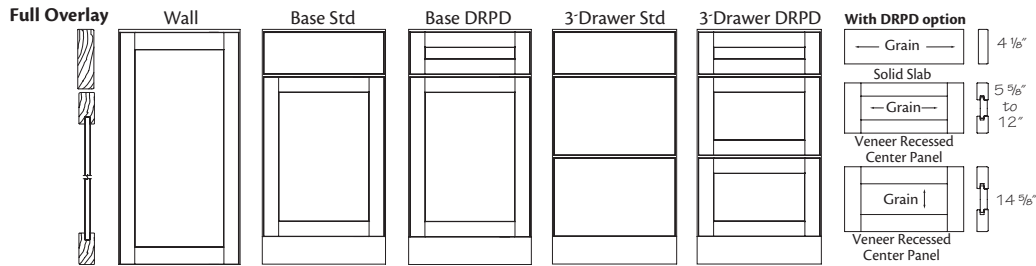


Mesa

Full Overlay

MRO9 Quartersawn Oak

Price Column J



- Solid wood door frame with 2 1/4" stiles and rails
- Square quartersawn Oak veneer recessed center panel
- Solid quartersawn Oak slab drawer fronts
- Deluxe Recessed Panel Drawer (DRPD) front available
- Concealed hinge
- Decorative hardware is required

Decorative Doors & Inserts Available

Aluminum Frame Glass

- Fresco Brushed Aluminum
- Vetro Brushed Aluminum

Camed Glass

- Chateau
- Classic Camed Insert
- Palisades
- Penrose
- Victorian
- Yorkshire

Classic Glass

- Bistro
- Prepared for Glass
- Prism
- Shadow

Etched Glass

- Crossroads
- Lisbon
- Modern Frosted Insert
- Prairie
- Satina

Layered Glass

- Antiquity
- Mirage
- Silk
- Wintersday

Mullion Doors

- Castlegate
- Evansville
- Hewitt
- Showcase Mullion
- Traditional Mullion

Specialty Inserts

- Chalkboard Insert

Textured Glass

- Cascade
- Dolace
- Modern Textured Insert
- Moire
- Ravenna
- Styx
- Vauxhall

Mesa Finishes

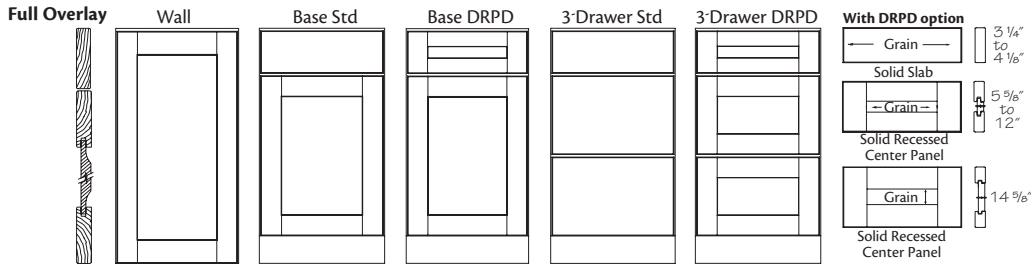
- ❖ Available as Standard
- Premium Upcharge

		MRO9
		Mesa Quartersawn Oak
Autumn Blush	AB	❖
Autumn Blush Suede	C21	●
Autumn Blush W/Onyx Glaze	A56	●
Autumn Blush W/Onyx Glaze Suede	E10	●
Baltic	D78	❖
Baltic Suede	D80	●
Cannon Grey	D81	❖
Cannon Grey Suede	D83	●
Cognac	CO	❖
Cognac Suede	D85	●
Fawn	FN	❖
Fawn Suede	D51	●
Ginger	C88	❖
Ginger Suede	C19	●
Ginger W/Sable Glaze	C11	●
Ginger W/Sable Glaze Suede	E15	●
Honey Spice	HS	❖
Honey Spice Suede	D88	●
Husk	B82	❖
Husk Suede	C13	●
Kaffé	KA	❖
Kaffé Suede	C27	●
Molasses	E58	❖
Molasses Suede	E59	●
Natural	NA	❖
Natural Suede	D89	●
Onyx	A21	●
Onyx Suede	D44	●
Peppercorn	PC	❖
Peppercorn Suede	D53	●
Praline	PR	❖
Praline Suede	C78	●
Saddle	B81	❖
Saddle Suede	C12	●
Slate	B64	❖
Slate Suede	C72	●
Unfinished	UF	❖

Montresano

Full Overlay

DRHC9	Cherry	Price Column N
DRHD9	EverCore™	Price Column I
DRHM9	Maple	Price Column K
AB209	Quartersawn Oak	Price Column J
DRHA9	Rustic Alder	Price Column K



- Solid wood door frame with 3" stiles and rails, except EverCore™, which will be mechanically compressed wood fiber
- Square solid recessed panel on wall and base doors, except EverCore™, which will be mechanically compressed wood fiber
- Slab drawer front
- Deluxe Recessed Panel Drawer (DRPD) front available
- Concealed hinge
- Decorative hardware is required
- **Note:** Rustic door styles feature knotty or character wood. It contains character marks such as heartwood, worm holes and mineral streaks of varying size. Components of these doors are chosen at random, with the appearance of each individual door varying widely from very rustic to relatively clear and unmarked

Decorative Doors & Inserts Available

Aluminum Frame Glass

- Fresco Brushed Aluminum
- Vetro Brushed Aluminum

Camed Glass

- Chateau
- Classic Camed Insert
- Palisades
- Penrose
- Victorian
- Yorkshire

Classic Glass

- Bistro
- Prepared for Glass
- Prism
- Shadow

Etched Glass

- Crossroads
- Lisbon
- Modern Frosted Insert
- Prairie
- Satina

Layered Glass

- Antiquity
- Mirage
- Silk
- Wintersday

Mullion Doors

- Castlegate ★
- Evansville ★
- Hewitt ★
- Showcase Mullion ★
- Traditional Mullion★

Specialty Inserts

- Chalkboard Insert

Textured Glass

- Cascade
- Dolace
- Modern Textured Insert
- Moire
- Ravenna
- Styx
- Vauxhall

★ **Not** available in Rustic or Evercore™ door styles

Montresano Finishes

- ◆ Available as Standard
- Premium Upcharge

		DRHC9	DRHD9	DRHM9	AB2O9	DRHA9
	Montresano Cherry	Montresano EverCore™	Montresano Maple	Montresano Quartersawn Oak	Montresano Rustic Alder	
Aged Concrete	E06		●			
Aged Papyrus	E05		●			
Aged River Rock	E07		●			
Autumn Blush	AB	◆		◆	◆	
Autumn Blush Suede	C21	●		●	●	
Autumn Blush W/Onyx Glaze	A56			●	●	
Autumn Blush W/Onyx Glaze Suede	E10	●		●	●	
Baltic	D78	◆		◆	◆	
Baltic Suede	D80	●		●	●	
Bonsai	E69		●	●		
Bonsai Suede	E70		●	●		
Burmese	E67		●	●		
Burmese Suede	E68		●	●		
Cannon Grey	D81	◆		◆	◆	
Cannon Grey Suede	D83	●		●	●	
Cannon Grey Wood Grain	D81O					
Canvas	CV		●	●		
Canvas Suede	D37		●	●		
Canvas W/Cinder Glaze	B90		●			
Canvas W/Cinder Glaze Suede	E26		●			
Canvas W/Cocoa Glaze Suede	E27		●			
Canvas W/Cocoa Glaze	VG		●			
Chestnut	CN		◆			
Chestnut Suede	C23		●			
Chestnut W/Onyx Glaze	A54		●			
Chestnut W/Onyx Glaze Suede	E12		●			
Chocolate	CC	◆	◆	◆	◆	
Chocolate Suede	D87	●	●	●	●	
Chocolate W/Ebony Glaze	EG	●	●	●	●	
Chocolate W/Ebony Glaze Suede	E13	●	●	●	●	
Cinnamon	CA	◆	◆	◆	◆	
Cinnamon Suede	C74	●	●	●	●	
Cinnamon W/Onyx Glaze	A48	●	●	●	●	
Cinnamon W/Onyx Glaze Suede	E14	●	●	●	●	
Cognac	CO	◆	◆	◆	◆	
Cognac Suede	D85	●	●	●	●	
Distressed Autumn Blush	C22	●	●	●	●	
Distressed Baltic	D79	●	●	●	●	
Distressed Cannon Grey	D82	●	●	●	●	
Distressed Chestnut	C24	●	●	●	●	
Distressed Chocolate	D86	●	●	●	●	
Distressed Cinnamon	C75	●	●	●	●	
Distressed Cognac	D84	●	●	●	●	
Distressed Fawn	D52	●	●	●	●	
Distressed Ginger	C20	●	●	●	●	
Distressed Husk	C15	●	●	●	●	
Distressed Kaffé	C28	●	●	●	●	
Distressed Molasses	E60	●	●	●	●	
Distressed Peppercorn	C86	●	●	●	●	
Distressed Praline	C79	●	●	●	●	
Distressed Saddle	C14	●	●	●	●	
Distressed Slate	C73	●	●	●	●	
Distressed Sunset	D50	●	●	●	●	
Dove White	DW		●	●		
Dove White Suede	D40		●	●		
Dove White W/Cinder Glaze	B89		●			
Dove White W/Cinder Glaze Suede	E30		●			
Dove White W/Cocoa Glaze	A15		●			
Dove White W/Cocoa Glaze Suede	E31		●			
Fawn	FN			◆		
Fawn Suede	D51			●		
Ginger	C88	◆	◆	◆	◆	
Ginger Suede	C19	●	●	●	●	
Ginger W/Sable Glaze	C11	●	●	●	●	
Ginger W/Sable Glaze Suede	E15	●	●	●	●	
Greyloft	B65	●	●			

		DRHC9	DRHD9	DRHM9	AB2O9	DRHA9
	Montresano Cherry	Montresano EverCore™	Montresano Maple	Montresano Quartersawn Oak	Montresano Rustic Alder	
Greyloft Suede	D41		●			
Greyloft W/Sable Glaze	B66		●			
Greyloft W/Sable Glaze Suede	E32		●			
Honey Spice	H5	◆	◆	◆	◆	
Honey Spice Suede	D88	●	●	●	●	
Husk	B82	◆		◆	◆	
Husk Suede	C13	●		●	●	
Kaffé	KA	◆		◆	◆	
Kaffé Suede	C27	●		●	●	
Lagoon	E63		●	●		
Lagoon Suede	E64		●	●		
Linen	D90		●	●		
Linen Suede	D93		●	●		
Linen W/Cinder Glaze	D96		●			
Linen W/Cinder Glaze Suede	E33		●			
Linen W/Cocoa Glaze	D94		●			
Linen W/Cocoa Glaze Suede	E34		●			
Midnight	B69		●	●		
Midnight Suede	D42		●	●		
Midnight W/Onyx Glaze	B70		●			
Midnight W/Onyx Glaze Suede	E35		●			
Molasses	E58	◆	◆	◆	◆	
Molasses Suede	E59	●	●	●	●	
Moonshine	D98		●	●		
Moonshine Suede	E02		●	●		
Moonshine W/Cinder Glaze	E04		●			
Moonshine W/Cinder Glaze Suede	E36		●			
Moonshine W/Cocoa Glaze	E03		●			
Moonshine W/Cocoa Glaze Suede	E37		●			
Natural	NA	◆	◆	◆	◆	
Natural Suede	D89	●	●	●	●	
Onyx	A21		●	●	●	
Onyx Suede	D44		●	●	●	
Pebble Grey	B83		●	●		
Pebble Grey Suede	D45		●	●		
Pebble Grey W/Cocoa Glaze	B84		●			
Pebble Grey W/Cocoa Glaze Suede	E40		●			
Peppercorn	PC	◆	◆	◆	◆	
Peppercorn Suede	D53	●	●	●	●	
Praline	PR	◆	◆	◆	◆	
Praline Suede	C78	●	●	●	●	
Praline W/Onyx Glaze	A45		●			
Praline W/Onyx Glaze Suede	E16		●			
Saddle	B81	◆	◆	◆	◆	
Saddle Suede	C12	●	●	●	●	
Slate	B64	◆	◆	◆	◆	
Slate Suede	C72	●	●	●	●	
Sunset	SU	◆			◆	
Sunset Suede	D49	●			●	
Surfside	E65		●	●		
Surfside Suede	E66		●	●		
Unfinished	UF	◆	◆	◆	◆	
Vintage Canvas	VC	●				
Vintage Canvas Suede	E42	●				
Vintage Dove White	VD	●				
Vintage Dove White Suede	E44	●				
Vintage Greyloft	B67	●				
Vintage Greyloft Suede	E45	●				
Vintage Linen	D91	●				
Vintage Linen Suede	E46	●				

Montresano Finishes continued

❖ Available as Standard

● Premium Upcharge

		DRHC9	DRHD9	DRHM9	AB2O9	DRHA9
		Montresano Cherry	Montresano EverCore™	Montresano Maple	Montresano Quartersawn Oak	Montresano Rustic Alder
Vintage Midnight	B71	●				
Vintage Midnight Suede	E47	●				
Vintage Moonshine	D99	●				
Vintage Moonshine Suede	E48	●				
Vintage Onyx	VO	●				
Vintage Onyx Suede	E50	●				
Vintage Pebble Grey	B86	●				
Vintage Pebble Grey Suede	E51	●				

Notes

Rathbun

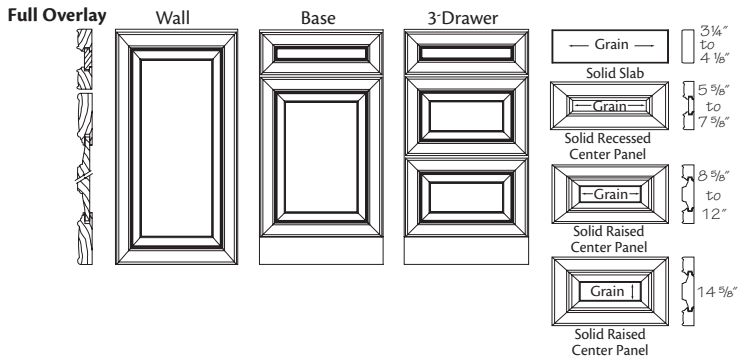
Full Overlay

RTC9 Cherry

Price Column O

RTM9 Maple

Price Column N



- Solid wood mitered door frame with 2 3/8" stiles and rails
- Square solid raised panel on wall and base doors
- Drawer front varies depending on height
- Concealed hinge
- Decorative hardware is required

Decorative Doors & Inserts Available

Aluminum Frame Glass

- Fresco Brushed Aluminum
- Vetro Brushed Aluminum

Camed Glass

- Chateau
- Classic Camed Insert
- Palisades
- Penrose
- Victorian
- Yorkshire

Classic Glass

- Bistro
- Prepared for Glass
- Prism
- Shadow

Etched Glass

- Crossroads
- Lisbon
- Modern Frosted Insert
- Prairie
- Satina

Layered Glass

- Antiquity
- Mirage
- Silk
- Wintersday

Mullion Doors

- Castlegate
- Evansville
- Hewitt
- Palladia
- Raleigh
- Showcase Mullion
- Traditional Mullion

Specialty Inserts

- Chalkboard Insert

Textured Glass

- Cascade
- Dolace
- Modern Textured Insert
- Moire
- Ravenna
- Styx
- Vauxhall

Rathbun Finishes

- ❖ Available as Standard
- Premium Upcharge

		RTC9	RTM9
	Rathbun Cherry		
	Rathbun Maple		
Aged Concrete	E06	●	●
Aged Papyrus	E05	●	●
Aged River Rock	E07	●	●
Autumn Blush	AB	❖	
Autumn Blush Suede	C21	●	●
Autumn Blush W/Onyx Glaze	A56	●	●
Autumn Blush W/Onyx Glaze Suede	E10	●	●
Baltic	D78	❖	
Baltic Suede	D80	●	●
Bonsai	E69	●	●
Bonsai Suede	E70	●	●
Burmese	E67	●	●
Burmese Suede	E68	●	●
Cannon Grey	D81	❖	
Cannon Grey Suede	D83	●	●
Cannon Grey Wood Grain	D81O		
Canvas	CV	●	●
Canvas Suede	D37	●	●
Canvas W/Cinder Glaze	B90	●	●
Canvas W/Cinder Glaze Suede	E26	●	●
Canvas W/Cocoa Glaze Suede	E27	●	●
Canvas W/Cocoa Glaze	VG	●	●
Chestnut	CN	❖	
Chestnut Suede	C23	●	●
Chestnut W/Onyx Glaze	A54	●	●
Chestnut W/Onyx Glaze Suede	E12	●	●
Chocolate	CC	❖	❖
Chocolate Suede	D87	●	●
Chocolate W/Ebony Glaze	EG	●	●
Chocolate W/Ebony Glaze Suede	E13	●	●
Cinnamon	CA	❖	❖
Cinnamon Suede	C74	●	●
Cinnamon W/Onyx Glaze	A48	●	●
Cinnamon W/Onyx Glaze Suede	E14	●	●
Cognac	CO	❖	❖
Cognac Suede	D85	●	●
Distressed Autumn Blush	C22	●	●
Distressed Baltic	D79	●	●
Distressed Cannon Grey	D82	●	●
Distressed Chestnut	C24	●	●
Distressed Chocolate	D86	●	●
Distressed Cinnamon	C75	●	●
Distressed Cognac	D84	●	●
Distressed Ginger	C20	●	●
Distressed Husk	C15	●	●
Distressed Kaffé	C28	●	●
Distressed Molasses	E60	●	●
Distressed Peppercorn	C86	●	●
Distressed Praline	C79	●	●
Distressed Saddle	C14	●	●
Distressed Slate	C73	●	●
Distressed Sunset	D50	●	●
Dove White	DW	●	●
Dove White Suede	D40	●	●
Dove White W/Cinder Glaze	B89	●	●
Dove White W/Cinder Glaze Suede	E30	●	●
Dove White W/Cocoa Glaze	A15	●	●
Dove White W/Cocoa Glaze Suede	E31	●	●
Ginger	C88	❖	❖
Ginger Suede	C19	●	●
Ginger W/Sable Glaze	C11	●	●
Ginger W/Sable Glaze Suede	E15	●	●
Greyloft	B65	●	●
Greyloft Suede	D41	●	●
Greyloft W/Sable Glaze	B66	●	●
Greyloft W/Sable Glaze Suede	E32	●	●
Honey Spice	HS	❖	❖

		RTC9	RTM9
	Rathbun Cherry		
	Rathbun Maple		
Honey Spice Suede	D88	●	●
Husk	B82	❖	
Husk Suede	C13	●	●
Kaffé	KA	❖	❖
Kaffé Suede	C27	●	●
Lagoon	E63	●	●
Lagoon Suede	E64	●	●
Linen	D90	●	●
Linen Suede	D93	●	●
Linen W/Cinder Glaze	D96	●	●
Linen W/Cinder Glaze Suede	E33	●	●
Linen W/Cocoa Glaze	D94	●	●
Linen W/Cocoa Glaze Suede	E34	●	●
Midnight	B69	●	●
Midnight Suede	D42	●	●
Midnight W/Onyx Glaze	B70	●	●
Midnight W/Onyx Glaze Suede	E35	●	●
Molasses	E58	❖	❖
Molasses Suede	E59	●	●
Moonshine	D98	●	●
Moonshine Suede	E02	●	●
Moonshine W/Cinder Glaze	E04	●	●
Moonshine W/Cinder Glaze Suede	E36	●	●
Moonshine W/Cocoa Glaze	E03	●	●
Moonshine W/Cocoa Glaze Suede	E37	●	●
Natural	NA	❖	❖
Natural Suede	D89	●	●
Onyx	A21	●	●
Onyx Suede	D44	●	●
Pebble Grey	B83	●	●
Pebble Grey Suede	D45	●	●
Pebble Grey W/Cocoa Glaze	B84	●	●
Pebble Grey W/Cocoa Glaze Suede	E40	●	●
Peppercorn	PC	❖	❖
Peppercorn Suede	D53	●	●
Praline	PR	❖	❖
Praline Suede	C78	●	●
Praline W/Onyx Glaze	A45	●	●
Praline W/Onyx Glaze Suede	E16	●	●
Saddle	B81	❖	❖
Saddle Suede	C12	●	●
Slate	B64	❖	❖
Slate Suede	C72	●	●
Sunset	SU	❖	
Sunset Suede	D49	●	●
Surfside	E65	●	●
Surfside Suede	E66	●	●
Unfinished	UF	❖	❖
Vintage Canvas	VC	●	●
Vintage Canvas Suede	E42	●	●
Vintage Dove White	VD	●	●
Vintage Dove White Suede	E44	●	●
Vintage Greyloft	B67	●	●
Vintage Greyloft Suede	E45	●	●
Vintage Linen	D91	●	●
Vintage Linen Suede	E46	●	●
Vintage Midnight	B71	●	●
Vintage Midnight Suede	E47	●	●
Vintage Moonshine	D99	●	●
Vintage Moonshine Suede	E48	●	●
Vintage Onyx	VO	●	●
Vintage Onyx Suede	E50	●	●
Vintage Pebble Grey	B86	●	●
Vintage Pebble Grey Suede	E51	●	●

Riverside

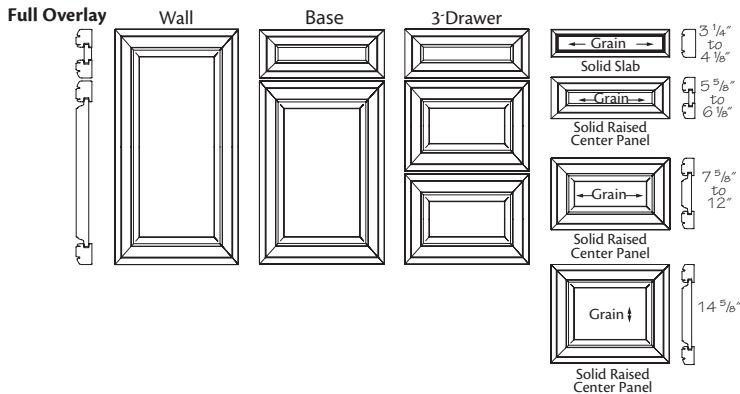
Full Overlay

AJ3C9 Cherry

Price Column O

AJ3M9 Maple

Price Column M



- Solid wood mitered door frame with 2 5/8" stiles and rails
- Square solid raised panel on wall and base doors
- Five-piece drawer front
- 5 5/8" and 6 1/8" high drawer fronts have 2 1/4" stiles and rails
- Concealed hinge
- Decorative hardware is required

Decorative Doors & Inserts Available

Aluminum Frame Glass

- Fresco Brushed Aluminum
- Vetro Brushed Aluminum

Camed Glass

- Chateau
- Classic Camed Insert
- Palisades
- Penrose
- Victorian
- Yorkshire

Classic Glass

- Bistro
- Prepared for Glass
- Prism
- Shadow

Etched Glass

- Crossroads
- Lisbon
- Modern Frosted Insert
- Prairie
- Satina

Layered Glass

- Antiquity
- Mirage
- Silk
- Wintersday

Mullion Doors

- Castlegate
- Evansville
- Hewitt
- Showcase Mullion
- Traditional Mullion

Specialty Inserts

- Chalkboard Insert

Textured Glass

- Cascade
- Dolace
- Modern Textured Insert
- Moire
- Ravenna
- Styx
- Vauxhall

Riverside Finishes

◆ Available as Standard
● Premium Upcharge

		Riverside Cherry	Riverside Maple
Aged Concrete	E06	●	●
Aged Papyrus	E05	●	●
Aged River Rock	E07	●	●
Autumn Blush	AB	◆	
Autumn Blush Suede	C21	●	●
Autumn Blush W/Onyx Glaze	A56	●	●
Autumn Blush W/Onyx Glaze Suede	E10	●	●
Baltic	D78	◆	
Baltic Suede	D80	●	●
Bonsai	E69	●	●
Bonsai Suede	E70	●	●
Burmese	E67	●	●
Burmese Suede	E68	●	●
Cannon Grey	D81	◆	
Cannon Grey Suede	D83	●	●
Canvas	CV	●	●
Canvas Suede	D37	●	●
Canvas W/Cinder Glaze	B90	●	●
Canvas W/Cinder Glaze Suede	E26	●	●
Canvas W/Cocoa Glaze Suede	E27	●	●
Canvas W/Cocoa Glaze	VG	●	●
Chestnut	CN	◆	
Chestnut Suede	C23	●	●
Chestnut W/Onyx Glaze	A54	●	●
Chestnut W/Onyx Glaze Suede	E12	●	●
Chocolate	CC	◆	◆
Chocolate Suede	D87	●	●
Chocolate W/Ebony Glaze	EG	●	●
Chocolate W/Ebony Glaze Suede	E13	●	●
Cinnamon	CA	◆	◆
Cinnamon Suede	C74	●	●
Cinnamon W/Onyx Glaze	A48	●	●
Cinnamon W/Onyx Glaze Suede	E14	●	●
Cognac	CO	◆	◆
Cognac Suede	D85	●	●
Distressed Autumn Blush	C22	●	●
Distressed Baltic	D79	●	●
Distressed Cannon Grey	D82	●	●
Distressed Chestnut	C24	●	●
Distressed Chocolate	D86	●	●
Distressed Cinnamon	C75	●	●
Distressed Cognac	D84	●	●
Distressed Ginger	C20	●	●
Distressed Husk	C15	●	●
Distressed Kaffé	C28	●	●
Distressed Molasses	E60	●	●
Distressed Peppercorn	C86	●	●
Distressed Praline	C79	●	●
Distressed Saddle	C14	●	●
Distressed Slate	C73	●	●
Distressed Sunset	D50	●	●
Dove White	DW	●	●
Dove White Suede	D40	●	●
Dove White W/Cinder Glaze	B89	●	●
Dove White W/Cinder Glaze Suede	E30	●	●
Dove White W/Cocoa Glaze	A15	●	●
Dove White W/Cocoa Glaze Suede	E31	●	●
Ginger	C88	◆	◆
Ginger Suede	C19	●	●
Ginger W/Sable Glaze	C11	●	●
Ginger W/Sable Glaze Suede	E15	●	●

		Riverside Cherry	Riverside Maple
Greyloft	B65	●	●
Greyloft Suede	D41	●	●
Greyloft W/Sable Glaze	B66	●	●
Greyloft W/Sable Glaze Suede	E32	●	●
Honey Spice	HS	◆	◆
Honey Spice Suede	D88	●	●
Husk	B82	◆	
Husk Suede	C13	●	●
Kaffé	KA	◆	◆
Kaffé Suede	C27	●	●
Lagoon	E63	●	●
Lagoon Suede	E64	●	●
Linen	D90	●	●
Linen Suede	D93	●	●
Linen W/Cinder Glaze	D96	●	●
Linen W/Cinder Glaze Suede	E33	●	●
Linen W/Cocoa Glaze	D94	●	●
Linen W/Cocoa Glaze Suede	E34	●	●
Midnight	B69	●	●
Midnight Suede	D42	●	●
Midnight W/Onyx Glaze	B70	●	●
Midnight W/Onyx Glaze Suede	E35	●	●
Molasses	E58	◆	◆
Molasses Suede	E59	●	●
Moonshine	D98	●	●
Moonshine Suede	E02	●	●
Moonshine W/Cinder Glaze	E04	●	●
Moonshine W/Cinder Glaze Suede	E36	●	●
Moonshine W/Cocoa Glaze	E03	●	●
Moonshine W/Cocoa Glaze Suede	E37	●	●
Natural	NA	◆	◆
Natural Suede	D89	●	●
Onyx	A21	●	●
Onyx Suede	D44	●	●
Pebble Grey	B83	●	●
Pebble Grey Suede	D45	●	●
Pebble Grey W/Cocoa Glaze	B84	●	●
Pebble Grey W/Cocoa Glaze Suede	E40	●	●
Peppercorn	PC	◆	◆
Peppercorn Suede	D53	●	●
Praline	PR	◆	◆
Praline Suede	C78	●	●
Praline W/Onyx Glaze	A45	●	●
Praline W/Onyx Glaze Suede	E16	●	●
Saddle	B81	◆	◆
Saddle Suede	C12	●	●
Slate	B64	◆	◆
Slate Suede	C72	●	●
Sunset	SU	◆	
Sunset Suede	D49	●	●
Surfside	E65	●	●
Surfside Suede	E66	●	●
Unfinished	UF	◆	◆
Vintage Canvas	VC	●	●
Vintage Canvas Suede	E42	●	●
Vintage Dove White	VD	●	●
Vintage Dove White Suede	E44	●	●
Vintage Greyloft	B67	●	●
Vintage Greyloft Suede	E45	●	●
Vintage Linen	D91	●	●
Vintage Linen Suede	E46	●	●

		Riverside Cherry	Riverside Maple
Vintage Midnight	B71	●	●
Vintage Midnight Suede	E47	●	●
Vintage Moonshine	D99	●	●
Vintage Moonshine Suede	E48	●	●
Vintage Onyx	VO	●	●
Vintage Onyx Suede	E50	●	●
Vintage Pebble Grey	B86	●	●
Vintage Pebble Grey Suede	E51	●	●

Rockwell

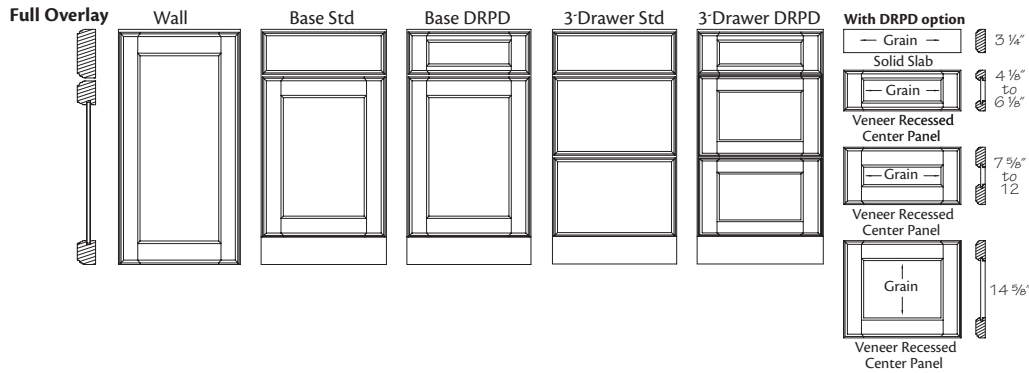
Full Overlay

AH5C9 Cherry

Price Column G

AH5M9 Maple

Price Column F



- Solid wood door frame with 3" stiles and rails
- Square veneer recessed panel on wall and base doors
- Slab drawer front
- Deluxe Recessed Panel Drawer (DRPD) front available
- Concealed hinge
- Decorative hardware is required

Decorative Doors & Inserts Available

Aluminum Frame Glass

- Fresco Brushed Aluminum
- Vetro Brushed Aluminum

Camed Glass

- Chateau
- Classic Camed Insert
- Palisades
- Penrose
- Victorian
- Yorkshire

Classic Glass

- Bistro
- Prepared for Glass
- Prism
- Shadow

Etched Glass

- Crossroads
- Lisbon
- Modern Frosted Insert
- Prairie
- Satina

Layered Glass

- Antiquity
- Mirage
- Silk
- Wintersday

Mullion Doors

- Castlegate
- Evansville
- Hewitt
- Showcase Mullion
- Traditional Mullion

Specialty Inserts

- Chalkboard Insert

Textured Glass

- Cascade
- Dolace
- Modern Textured Insert
- Moire
- Ravenna
- Styx
- Vauxhall

Rockwell Finishes

- ❖ Available as Standard
- Premium Upcharge

		Rockwell Cherry	AH5C9	AH5M9
Autumn Blush	AB	❖		
Autumn Blush Suede	C21	●		
Autumn Blush W/Onyx Glaze	A56	●		
Autumn Blush W/Onyx Glaze Suede	E10	●		
Baltic	D78	❖		
Baltic Suede	D80	●		
Bonsai	E69	●		
Bonsai Suede	E70	●		
Burmese	E67	●		
Burmese Suede	E68	●		
Cannon Grey	D81	❖		
Cannon Grey Suede	D83	●		
Canvas	CV	●		
Canvas Suede	D37	●		
Canvas W/Cinder Glaze	B90	●		
Canvas W/Cinder Glaze Suede	E26	●		
Canvas W/Cocoa Glaze Suede	E27	●		
Canvas W/Cocoa Glaze	VG	●		
Chestnut	CN	❖		
Chestnut Suede	C23	●		
Chestnut W/Onyx Glaze	A54	●		
Chestnut W/Onyx Glaze Suede	E12	●		
Chocolate	CC	❖	❖	
Chocolate Suede	D87	●		
Chocolate W/Ebony Glaze	EG	●		
Chocolate W/Ebony Glaze Suede	E13	●		
Cinnamon	CA	❖	❖	
Cinnamon Suede	C74	●		
Cinnamon W/Onyx Glaze	A48	●		
Cinnamon W/Onyx Glaze Suede	E14	●		
Cognac	CO	❖	❖	
Cognac Suede	D85	●		
Dove White	DW	●		
Dove White Suede	D40	●		
Dove White W/Cinder Glaze	B89	●		
Dove White W/Cinder Glaze Suede	E30	●		
Dove White W/Cocoa Glaze	A15	●		
Dove White W/Cocoa Glaze Suede	E31	●		
Ginger	C88	❖	❖	
Ginger Suede	C19	●		
Ginger W/Sable Glaze	C11	●		
Ginger W/Sable Glaze Suede	E15	●		
Greyloft	B65	●		
Greyloft Suede	D41	●		
Greyloft W/Sable Glaze	B66	●		
Greyloft W/Sable Glaze Suede	E32	●		
Honey Spice	HS	❖	❖	
Honey Spice Suede	D88	●		
Husk	B82	❖		
Husk Suede	C13	●		
Kaffé	KA	❖	❖	
Kaffé Suede	C27	●		
Lagoon	E63	●		
Lagoon Suede	E64	●		
Linen	D90	●		
Linen Suede	D93	●		
Linen W/Cinder Glaze	D96	●		
Linen W/Cinder Glaze Suede	E33	●		
Linen W/Cocoa Glaze	D94	●		
Linen W/Cocoa Glaze Suede	E34	●		
Midnight	B69	●		
Midnight Suede	D42	●		
Midnight W/Onyx Glaze	B70	●		
Midnight W/Onyx Glaze Suede	E35	●		
Molasses	E58	❖	❖	
Molasses Suede	E59	●		
Moonshine	D98	●		

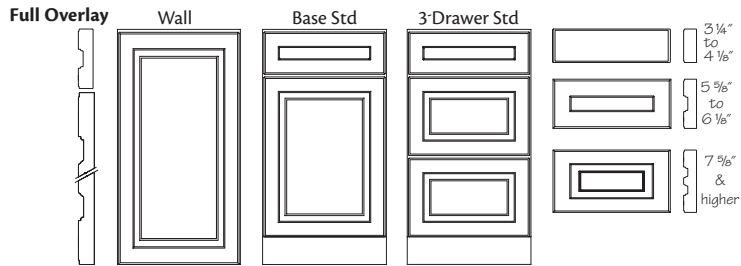
		Rockwell Cherry	AH5C9	AH5M9
Moonshine Suede	E02	●		
Moonshine W/Cinder Glaze	E04	●		
Moonshine W/Cinder Glaze Suede	E36	●		
Moonshine W/Cocoa Glaze	E03	●		
Moonshine W/Cocoa Glaze Suede	E37	●		
Natural	NA	❖	❖	
Natural Suede	D89	●		
Onyx	A21	●		
Onyx Suede	D44	●		
Pebble Grey	B83	●		
Pebble Grey Suede	D45	●		
Pebble Grey W/Cocoa Glaze	B84	●		
Pebble Grey W/Cocoa Glaze Suede	E40	●		
Peppercorn	PC	❖	❖	
Peppercorn Suede	D53	●		
Praline	PR	❖	❖	
Praline Suede	C78	●		
Praline W/Onyx Glaze	A45	●		
Praline W/Onyx Glaze Suede	E16	●		
Saddle	B81	❖	❖	
Saddle Suede	C12	●		
Slate	B64	❖	❖	
Slate Suede	C72	●		
Sunset	SU	❖		
Sunset Suede	D49	●		
Surfside	E65	●		
Surfside Suede	E66	●		
Unfinished	UF	❖	❖	

Saline

Full Overlay

SHD9 White Thermofoil

Price Column D



- Thermofoil on 3/4" thick MDF substrate
- Square design has raised center panel on wall and base doors
- Drawer front varies depending on height
- Concealed hinge
- Decorative hardware is required



Remember, all Foil and Thermofoil door styles will have a natural birch interior and a white or cream laminate exterior. Also, the underside of the cabinets are natural birch. To cover the underside, order an Under Cabinet Panel.

Decorative Doors & Inserts Available

Aluminum Frame Glass

- Fresco Brushed Aluminum
- Vetro Brushed Aluminum

Camed Glass

- Chateau
- Classic Camed Insert
- Palisades
- Penrose
- Victorian
- Yorkshire

Classic Glass

- Bistro
- Prepared for Glass
- Prism
- Shadow

Etched Glass

- Crossroads
- Lisbon
- Modern Frosted Insert
- Prairie
- Satina

Layered Glass

- Antiquity
- Mirage
- Silk
- Wintersday

Mullion Doors

- Traditional Mullion

Specialty Inserts

- Chalkboard Insert

Textured Glass

- Cascade
- Dolace
- Modern Textured Insert
- Moire
- Ravenna
- Styx
- Vauxhall

Saline Finishes

- ❖ Available as Standard
- Premium Upcharge

White WH

❖	Saline	SHD9
---	--------	------

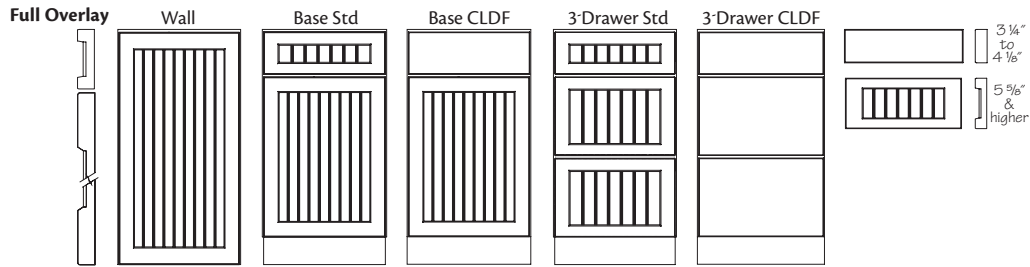
Savona

Full Overlay

ND9

White Thermofoil

Price Column G



- Thermofoil on 3/4" thick MDF substrate
- Square recessed beaded panel on wall and base doors
- Recessed panel beaded drawer front
- Grooves are 1 1/2" on center
- Classic Drawer Front (CLDF) option available
- Concealed hinge
- Decorative hardware is required
- **Note:** When CLDF option is applied, all drawer fronts will be slab



Remember, all Foil and Thermofoil door styles will have a natural birch interior and a white or cream laminate exterior. Also, the underside of the cabinets are natural birch. To cover the underside, order an Under Cabinet Panel.

Decorative Doors & Inserts Available

Aluminum Frame Glass

- Fresco Brushed Aluminum
- Vetro Brushed Aluminum

Camed Glass

- Chateau
- Classic Camed Insert
- Palisades
- Penrose
- Victorian
- Yorkshire

Classic Glass

- Bistro
- Prepared for Glass
- Prism
- Shadow

Etched Glass

- Crossroads
- Lisbon
- Modern Frosted Insert
- Prairie
- Satina

Layered Glass

- Antiquity
- Mirage
- Silk
- Wintersday

Mullion Doors

- Traditional Mullion

Specialty Inserts

- Chalkboard Insert

Textured Glass

- Cascade
- Dolace
- Modern Textured Insert
- Moire
- Ravenna
- Styx
- Vauxhall

Savona Finishes

❖ Available as Standard

● Premium Upcharge

White WH

❖	Savona
●	ND9

Sawyer

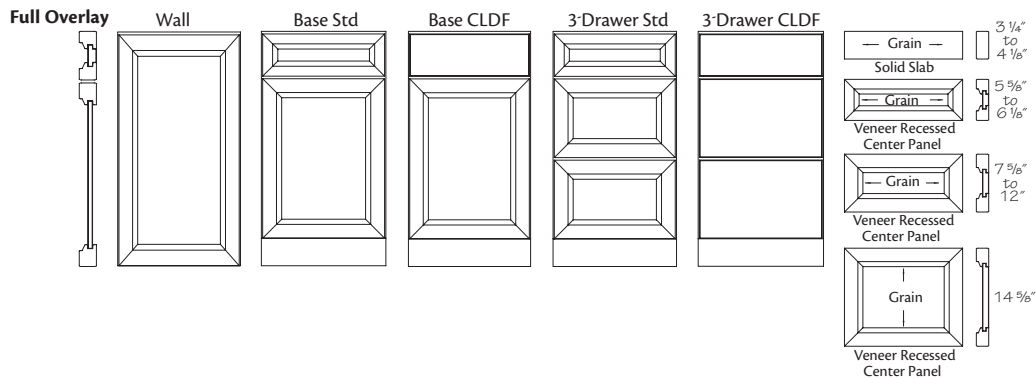
Full Overlay

AH6C9 Cherry

Price Column I

AH6M9 Maple

Price Column G



- Solid wood mitered door frame with 2 3/4" stiles and rails
- Square veneer recessed panel on wall and base doors
- Drawer front varies depending on height
- Classic Drawer Front (CLDF) option available
- Concealed hinge
- Decorative hardware is required
- **Note:** When CLDF option is applied, all drawer fronts will be slab

Decorative Doors & Inserts Available

Aluminum Frame Glass

- Fresco Brushed Aluminum
- Vetro Brushed Aluminum

Camed Glass

- Chateau
- Classic Camed Insert
- Palisades
- Penrose
- Victorian
- Yorkshire

Classic Glass

- Bistro
- Prepared for Glass
- Prism
- Shadow

Etched Glass

- Crossroads
- Lisbon
- Modern Frosted Insert
- Prairie
- Satina

Layered Glass

- Antiquity
- Mirage
- Silk
- Wintersday

Mullion Doors

- Castlegate
- Evansville
- Hewitt
- Showcase Mullion
- Traditional Mullion

Specialty Inserts

- Chalkboard Insert

Textured Glass

- Cascade
- Dolace
- Modern Textured Insert
- Moire
- Ravenna
- Styx
- Vauxhall

Sawyer Finishes

- ◆ Available as Standard
- Premium Upcharge

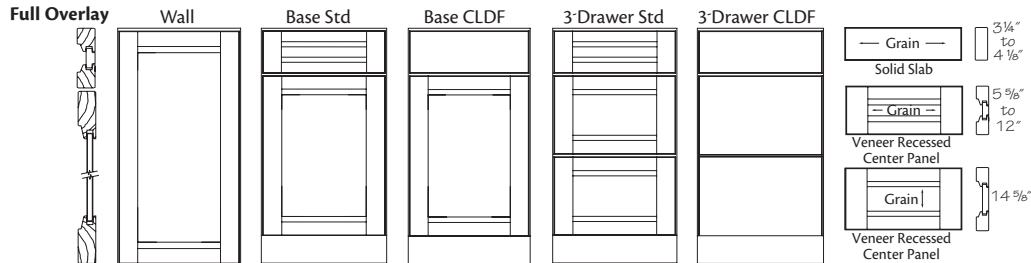
		AH6C9	AH6M9
		Sawyer Cherry	Sawyer Maple
Autumn Blush	AB	◆	
Autumn Blush Suede	C21	●	
Autumn Blush W/Onyx Glaze	A56	●	
Autumn Blush W/Onyx Glaze Suede	E10	●	
Baltic	D78	◆	
Baltic Suede	D80	●	
Bonsai	E69	●	
Bonsai Suede	E70	●	
Burmese	E67	●	
Burmese Suede	E68	●	
Cannon Grey	D81	◆	
Cannon Grey Suede	D83	●	
Canvas	CV	●	
Canvas Suede	D37	●	
Canvas W/Cinder Glaze	B90	●	
Canvas W/Cinder Glaze Suede	E26	●	
Canvas W/Cocoa Glaze Suede	E27	●	
Canvas W/Cocoa Glaze	VG	●	
Chestnut	CN	◆	
Chestnut Suede	C23	●	
Chestnut W/Onyx Glaze	A54	●	
Chestnut W/Onyx Glaze Suede	E12	●	
Chocolate	CC	◆	◆
Chocolate Suede	D87	●	●
Chocolate W/Ebony Glaze	EG		
Chocolate W/Ebony Glaze Suede	E13	●	
Cinnamon	CA	◆	◆
Cinnamon Suede	C74	●	●
Cinnamon W/Onyx Glaze	A48	●	●
Cinnamon W/Onyx Glaze Suede	E14	●	●
Cognac	CO	◆	◆
Cognac Suede	D85	●	●
Dove White	DW	●	
Dove White Suede	D40	●	
Dove White W/Cinder Glaze	B89	●	
Dove White W/Cinder Glaze Suede	E30	●	
Dove White W/Cocoa Glaze	A15	●	
Dove White W/Cocoa Glaze Suede	E31	●	
Ginger	C88	◆	◆
Ginger Suede	C19	●	●
Ginger W/Sable Glaze	C11	●	●
Ginger W/Sable Glaze Suede	E15	●	●
Greyloft	B65	●	
Greyloft Suede	D41	●	
Greyloft W/Sable Glaze	B66	●	
Greyloft W/Sable Glaze Suede	E32	●	
Honey Spice	HS	◆	◆
Honey Spice Suede	D88	●	●
Husk	B82	◆	
Husk Suede	C13	●	
Kaffé	KA	◆	◆
Kaffé Suede	C27	●	●
Lagoon	E63	●	
Lagoon Suede	E64	●	
Linen	D90	●	
Linen Suede	D93	●	
Linen W/Cinder Glaze	D96	●	
Linen W/Cinder Glaze Suede	E33	●	
Linen W/Cocoa Glaze	D94	●	
Linen W/Cocoa Glaze Suede	E34	●	
Midnight	B69	●	
Midnight Suede	D42	●	
Midnight W/Onyx Glaze	B70	●	
Midnight W/Onyx Glaze Suede	E35	●	
Molasses	E58	◆	◆

		AH6C9	AH6M9
		Sawyer Cherry	Sawyer Maple
Molasses Suede	E59	●	●
Moonshine	D98	●	●
Moonshine Suede	E02	●	●
Moonshine W/Cinder Glaze	E04	●	●
Moonshine W/Cinder Glaze Suede	E36	●	●
Moonshine W/Cocoa Glaze	E03	●	●
Moonshine W/Cocoa Glaze Suede	E37	●	●
Natural	NA	◆	◆
Natural Suede	D89	●	●
Onyx	A21	●	●
Onyx Suede	D44	●	●
Pebble Grey	B83	●	●
Pebble Grey Suede	D45	●	●
Pebble Grey W/Cocoa Glaze	B84	●	●
Pebble Grey W/Cocoa Glaze Suede	E40	●	●
Peppercorn	PC	◆	◆
Peppercorn Suede	D53	●	●
Praline	PR	◆	◆
Praline Suede	C78	●	●
Praline W/Onyx Glaze	A45	●	●
Praline W/Onyx Glaze Suede	E16	●	●
Saddle	B81	◆	◆
Saddle Suede	C12	●	●
Slate	B64	◆	◆
Slate Suede	C72	●	●
Sunset	SU	◆	
Sunset Suede	D49	●	
Surfside	E65	●	●
Surfside Suede	E66	●	●
Unfinished	UF	◆	◆

Sylvan

Full Overlay

SNC9	Cherry	Price Column I
AC8D9	EverCore™	Price Column E
AC8H9	Hickory	Price Column F
SNM9	Maple	Price Column G
AC8O9	Oak	Price Column E
SNA9	Rustic Alder	Price Column G



- Solid wood door frame with 2 3/4" stiles and rails, except EverCore™, which will be mechanically compressed wood fiber
- Square veneer recessed panels on wall and base doors, except EverCore™, which will be mechanically compressed wood fiber
- Drawer front varies depending on height
- Classic Drawer Front (CLDF) option available
- Concealed hinge
- Decorative hardware is required
- **Note:** When CLDF option is applied, all drawer fronts will be slab
- **Note:** Rustic door styles feature knotty or character wood. It contains character marks such as heartwood, worm holes and mineral streaks of varying size. Components of these doors are chosen at random, with the appearance of each individual door varying widely from very rustic to relatively clear and unmarked

Decorative Doors & Inserts Available

Aluminum Frame Glass

- Fresco Brushed Aluminum
- Vetro Brushed Aluminum

Camed Glass

- Chateau
- Classic Camed Insert
- Palisades
- Penrose
- Victorian
- Yorkshire

Classic Glass

- Bistro
- Prepared for Glass
- Prism
- Shadow

Etched Glass

- Crossroads
- Lisbon
- Modern Frosted Insert
- Prairie
- Satina

Layered Glass

- Antiquity
- Mirage
- Silk
- Wintersday

Mullion Doors

- Castlegate ★
- Evansville ★
- Hewitt ★
- Showcase Mullion ★
- Traditional Mullion ★
- Vista Mullion ★

Specialty Inserts

- Chalkboard Insert

Textured Glass

- Cascade
- Dolace
- Modern Textured Insert
- Moire
- Ravenna
- Styx
- Vauxhall

★ **Not** available in Rustic or Evercore™ door styles

▲ Only available in Cherry & Maple door styles

Sylvan Finishes

- ❖ Available as Standard
- Premium Upcharge

		SNC9	AC8D9	AC8H9	SNM9	AC8O9	SNA9
Autumn Blush	AB	❖				❖	❖
Autumn Blush Suede	C21	●				●	●
Autumn Blush W/Onyx Glaze	A56	●				●	●
Autumn Blush W/Onyx Glaze Suede	E10	●				●	●
Baltic	D78	❖				❖	❖
Baltic Suede	D80	●				●	●
Bonsai	E69	●			●		
Bonsai Suede	E70	●			●		
Burmese	E67	●			●		
Burmese Suede	E68	●			●		
Cannon Grey	D81	❖				❖	❖
Cannon Grey Suede	D83	●				●	●
Canvas	CV	●			●		
Canvas Suede	D37	●			●		
Canvas W/Cinder Glaze	B90			●			
Canvas W/Cinder Glaze Suede	E26			●			
Canvas W/Cocoa Glaze Suede	E27			●			
Canvas W/Cocoa Glaze	VG			●			
Chestnut	CN			❖			
Chestnut Suede	C23			●			
Chestnut W/Onyx Glaze	A54			●			
Chestnut W/Onyx Glaze Suede	E12			●			
Chocolate	CC	❖			❖		❖
Chocolate Suede	D87	●			●		●
Chocolate W/Ebony Glaze	EG	●					●
Chocolate W/Ebony Glaze Suede	E13	●					●
Cinnamon	CA	❖			❖		❖
Cinnamon Suede	C74	●			●		●
Cinnamon W/Onyx Glaze	A48	●			●		●
Cinnamon W/Onyx Glaze Suede	E14	●			●		●
Cognac	CO	❖			❖	❖	❖
Cognac Suede	D85	●		●	●	●	●
Dove White	DW	●			●		
Dove White Suede	D40	●			●		
Dove White W/Cinder Glaze	B89				●		
Dove White W/Cinder Glaze Suede	E30				●		
Dove White W/Cocoa Glaze	A15				●		
Dove White W/Cocoa Glaze Suede	E31				●		
Fawn	FN					❖	
Fawn Suede	D51					●	
Ginger	C88	❖		❖	❖	❖	❖
Ginger Suede	C19	●		●	●	●	●
Ginger W/Sable Glaze	C11	●		●	●	●	●
Ginger W/Sable Glaze Suede	E15	●		●	●	●	●
Greyloft	B65	●			●		
Greyloft Suede	D41	●			●		
Greyloft W/Sable Glaze	B66				●		
Greyloft W/Sable Glaze Suede	E32				●		
Honey Spice	HS	❖		❖	❖	❖	❖
Honey Spice Suede	D88	●		●	●	●	●
Husk	B82	❖		❖		❖	❖
Husk Suede	C13	●		●		●	●
Kaffé	KA	❖		❖	❖	❖	❖
Kaffé Suede	C27	●		●	●	●	●
Lagoon	E63	●			●		
Lagoon Suede	E64	●			●		
Linen	D90	●			●		
Linen Suede	D93	●			●		
Linen W/Cinder Glaze	D96				●		
Linen W/Cinder Glaze Suede	E33				●		
Linen W/Cocoa Glaze	D94				●		
Linen W/Cocoa Glaze Suede	E34				●		
Midnight	B69	●			●		
Midnight Suede	D42	●			●		
Midnight W/Onyx Glaze	B70				●		
Midnight W/Onyx Glaze Suede	E35				●		

		SNC9	AC8D9	AC8H9	SNM9	AC8O9	SNA9
Molasses	E58	❖				❖	❖
Molasses Suede	E59	●		●	●	●	●
Moonshine	D98	●			●		
Moonshine Suede	E02	●			●		
Moonshine W/Cinder Glaze	E04				●		
Moonshine W/Cinder Glaze Suede	E36				●		
Moonshine W/Cocoa Glaze	E03				●		
Moonshine W/Cocoa Glaze Suede	E37				●		
Natural	NA	❖		❖	❖	❖	❖
Natural Suede	D89	●		●	●	●	●
Onyx	A21	●			●		
Onyx Suede	D44	●			●	●	
Pebble Grey	B83	●			●		
Pebble Grey Suede	D45	●			●		
Pebble Grey W/Cocoa Glaze	B84				●		
Pebble Grey W/Cocoa Glaze Suede	E40				●		
Peppercorn	PC	❖			❖	❖	❖
Peppercorn Suede	D53	●			●	●	●
Praline	PR	❖		❖	❖	❖	❖
Praline Suede	C78	●		●	●	●	●
Praline W/Onyx Glaze	A45				●		
Praline W/Onyx Glaze Suede	E16				●		
Saddle	B81	❖		❖	❖	❖	❖
Saddle Suede	C12	●		●	●	●	●
Slate	B64	❖		❖	❖	❖	❖
Slate Suede	C72	●		●	●	●	●
Sunset	SU	❖		❖			❖
Sunset Suede	D49	●		●			●
Surfside	E65	●			●		
Surfside Suede	E66	●			●		
Unfinished	UF	❖		❖	❖	❖	❖

Temora

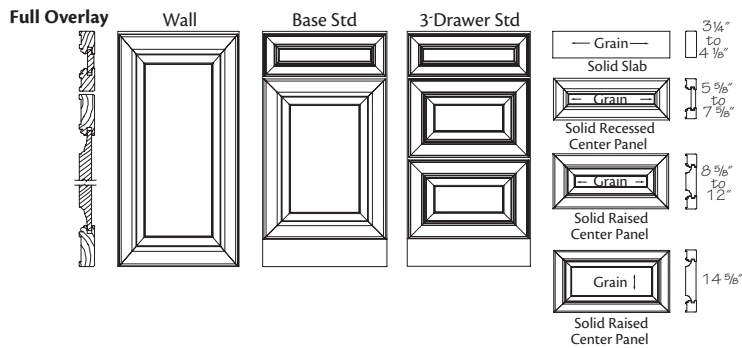
Full Overlay

AA0C9 Cherry

Price Column P

AA0M9 Maple

Price Column O



- Solid wood mitered door frame with 2 5/8" stiles and rails
- Square solid raised panel on wall and base doors
- Drawer front varies depending on height
- Concealed hinge
- Decorative hardware is required

Decorative Doors & Inserts Available

Aluminum Frame Glass

- Fresco Brushed Aluminum
- Vetro Brushed Aluminum

Camed Glass

- Chateau
- Classic Camed Insert
- Palisades
- Penrose
- Victorian
- Yorkshire

Classic Glass

- Bistro
- Prepared for Glass
- Prism
- Shadow

Etched Glass

- Crossroads
- Lisbon
- Modern Frosted Insert
- Prairie
- Satina

Layered Glass

- Antiquity
- Mirage
- Silk
- Wintersday

Mullion Doors

- Castlegate
- Evansville
- Hewitt
- Showcase Mullion
- Traditional Mullion

Specialty Inserts

- Chalkboard Insert

Textured Glass

- Cascade
- Dolace
- Modern Textured Insert
- Moire
- Ravenna
- Styx
- Vauxhall

Temora Finishes

- ◆ Available as Standard
- Premium Upcharge

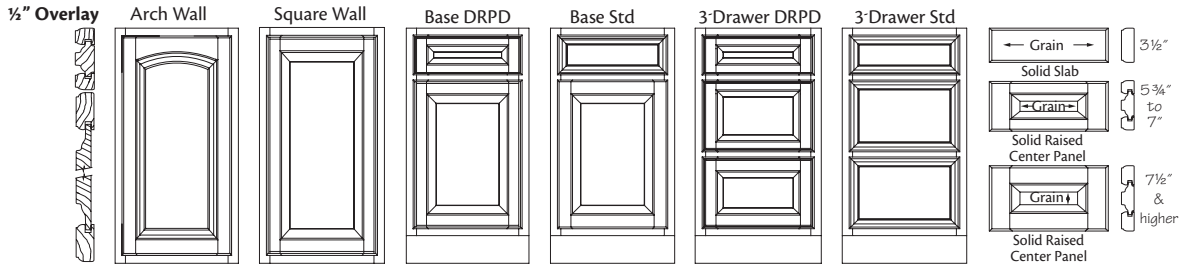
		AA0C9	AA0M9
	Temora Cherry	Temora Maple	
Aged Concrete	E06	●	●
Aged Papyrus	E05	●	●
Aged River Rock	E07	●	●
Autumn Blush	AB	◆	
Autumn Blush Suede	C21	●	●
Autumn Blush W/Onyx Glaze	A56	●	
Autumn Blush W/Onyx Glaze Suede	E10	●	●
Baltic	D78	◆	
Baltic Suede	D80	●	●
Bonsai	E69		●
Bonsai Suede	E70		●
Burmese	E67		●
Burmese Suede	E68		●
Cannon Grey	D81	◆	
Cannon Grey Suede	D83	●	●
Canvas	CV		●
Canvas Suede	D37		●
Canvas W/Cinder Glaze	B90		●
Canvas W/Cinder Glaze Suede	E26		●
Canvas W/Cocoa Glaze Suede	E27		●
Canvas W/Cocoa Glaze	VG		●
Chestnut	CN	◆	
Chestnut Suede	C23		●
Chestnut W/Onyx Glaze	A54		●
Chestnut W/Onyx Glaze Suede	E12		●
Chocolate	CC	◆	◆
Chocolate Suede	D87		●
Chocolate W/Ebony Glaze	EG		●
Chocolate W/Ebony Glaze Suede	E13		●
Cinnamon	CA	◆	◆
Cinnamon Suede	C74		●
Cinnamon W/Onyx Glaze	A48		●
Cinnamon W/Onyx Glaze Suede	E14		●
Cognac	CO	◆	◆
Cognac Suede	D85		●
Distressed Autumn Blush	C22		●
Distressed Baltic	D79		●
Distressed Cannon Grey	D82		●
Distressed Chestnut	C24		●
Distressed Chocolate	D86		●
Distressed Cinnamon	C75		●
Distressed Cognac	D84		●
Distressed Ginger	C20		●
Distressed Husk	C15		●
Distressed Kaffé	C28		●
Distressed Molasses	E60		●
Distressed Peppercorn	C86		●
Distressed Praline	C79		●
Distressed Saddle	C14		●
Distressed Slate	C73		●
Distressed Sunset	D50		●
Dove White	DW		●
Dove White Suede	D40		●
Dove White W/Cinder Glaze	B89		●
Dove White W/Cinder Glaze Suede	E30		●
Dove White W/Cocoa Glaze	A15		●
Dove White W/Cocoa Glaze Suede	E31		●
Ginger	C88	◆	◆
Ginger Suede	C19		●
Ginger W/Sable Glaze	C11		●
Ginger W/Sable Glaze Suede	E15		●
Greyloft	B65		●
Greyloft Suede	D41		●
Greyloft W/Sable Glaze	B66		●
Greyloft W/Sable Glaze Suede	E32		●
Honey Spice	HS	◆	◆
Honey Spice Suede	D88		●

		AA0C9	AA0M9
	Temora Cherry	Temora Maple	
Husk	B82	◆	
Husk Suede	C13		●
Kaffé	KA	◆	◆
Kaffé Suede	C27		●
Lagoon	E63		●
Lagoon Suede	E64		●
Linen	D90		●
Linen Suede	D93		●
Linen W/Cinder Glaze	D96		●
Linen W/Cinder Glaze Suede	E33		●
Linen W/Cocoa Glaze	D94		●
Linen W/Cocoa Glaze Suede	E34		●
Midnight	B69		●
Midnight Suede	D42		●
Midnight W/Onyx Glaze	B70		●
Midnight W/Onyx Glaze Suede	E35		●
Molasses	E58	◆	◆
Molasses Suede	E59		●
Moonshine	D98		●
Moonshine Suede	E02		●
Moonshine W/Cinder Glaze	E04		●
Moonshine W/Cinder Glaze Suede	E36		●
Moonshine W/Cocoa Glaze	E03		●
Moonshine W/Cocoa Glaze Suede	E37		●
Natural	NA	◆	◆
Natural Suede	D89		●
Onyx	A21		●
Onyx Suede	D44		●
Pebble Grey	B83		●
Pebble Grey Suede	D45		●
Pebble Grey W/Cocoa Glaze	B84		●
Pebble Grey W/Cocoa Glaze Suede	E40		●
Peppercorn	PC	◆	◆
Peppercorn Suede	D53		●
Praline	PR	◆	◆
Praline Suede	C78		●
Praline W/Onyx Glaze	A45		●
Praline W/Onyx Glaze Suede	E16		●
Saddle	B81	◆	◆
Saddle Suede	C12		●
Slate	B64	◆	◆
Slate Suede	C72		●
Sunset	SU	◆	
Sunset Suede	D49		●
Surfside	E65		●
Surfside Suede	E66		●
Unfinished	UF	◆	◆
Vintage Canvas	VC		●
Vintage Canvas Suede	E42		●
Vintage Dove White	VD		●
Vintage Dove White Suede	E44		●
Vintage Greyloft	B67		●
Vintage Greyloft Suede	E45		●
Vintage Linen	D91		●
Vintage Linen Suede	E46		●
Vintage Midnight	B71		●
Vintage Midnight Suede	E47		●
Vintage Moonshine	D99		●
Vintage Moonshine Suede	E48		●
Vintage Onyx	VO		●
Vintage Onyx Suede	E50		●
Vintage Pebble Grey	B86		●
Vintage Pebble Grey Suede	E51		●

Townley

1/2" Overlay

TWAC9 Cherry Arch	Price Column I
TWSC9 Cherry Square	Price Column I
TWAD9 EverCore™ Arch	Price Column F
TWSD9 EverCore™ Square	Price Column F
TWAH9 Hickory Arch	Price Column F
TWSH9 Hickory Square	Price Column F
TWAM9 Maple Arch	Price Column G
TWSM9 Maple Square	Price Column G
TWAO9 Oak Arch	Price Column F
TWSO9 Oak Square	Price Column F
TWSA9 Rustic Alder Square	Price Column G



- Solid wood door frame with 2 3/16" stiles and rails, except EverCore™, which will be mechanically compressed wood fiber
- Square design has solid raised panels on wall and base doors, except EverCore™, which will be mechanically compressed wood fiber
- Arch design has arched raised panels on wall doors only, except EverCore™, which will be mechanically compressed wood fiber; base doors will be square
- Grain direction does **not** apply to EverCore™ doors
- Drawer front varies depending on height
- Deluxe Raised Panel Drawer (DRPD) front available
- Concealed hinge
- Decorative Hardware is required for full overlay
- **Note:** Rustic door styles feature knotty or character wood. It contains character marks such as heartwood, worm holes and mineral streaks of varying size. Components of these doors are chosen at random, with the appearance of each individual door varying widely from very rustic to relatively clear and unmarked

Decorative Doors & Inserts Available

Camed Glass

- Chateau
- Palisades
- Penrose
- Victorian
- Yorkshire

Classic Glass

- Bistro
- Prepared for Glass
- Prism ●
- Shadow

Etched Glass

- Crossroads
- Lisbon
- Prairie
- Satina

Layered Glass

- Antiquity
- Mirage
- Silk
- Wintersday

Mullion Doors

- Showcase Mullion ★
- Traditional Mullion ★

Specialty Inserts

- Chalkboard Insert

Textured Glass

- Cascade
- Dolace
- Moire
- Ravenna
- Styx
- Vauxhall

- Not available in Arch door styles
- ▲ Only available in Cherry & Maple door styles
- ★ Not available in EverCore™ or Rustic door styles

Townley Finishes

- ◆ Available as Standard
- Premium Upcharge

		TWAC9	TWSC9	TWAD9	TWSD9	TWAH9	TWSH9	TWAM9	TWSM9	TWAO9	TWSO9	TWSA9
		Townley Cherry Arch	Townley Cherry Square	Townley EverCore™ Arch	Townley EverCore™ Square	Townley Hickory Arch	Townley Hickory Square	Townley Maple Arch	Townley Maple Square	Townley Oak Arch	Townley Oak Square	Townley Rustic Alder
Aged Concrete	E06							●	●			
Aged Papyrus	E05							●	●			
Aged River Rock	E07							●	●			
Autumn Blush	AB	◆	◆							◆	◆	◆
Autumn Blush Suede	C21	●	●									
Autumn Blush W/Onyx Glaze	A56	●	●							●	●	●
Autumn Blush W/Onyx Glaze Suede	E10	●	●							●	●	●
Baltic	D78	◆	◆							◆	◆	◆
Baltic Suede	D80	●	●							●	●	●
Bonsai	E69			●	●			●	●			
Bonsai Suede	E70			●	●			●	●			
Burmese	E67			●	●			●	●			
Burmese Suede	E68			●	●			●	●			
Cannon Grey	D81	◆	◆							◆	◆	◆
Cannon Grey Suede	D83	●	●							●	●	●
Canvas	CV			●	●			●	●			
Canvas Suede	D37			●	●			●	●			
Canvas W/Cinder Glaze	B90							●	●			
Canvas W/Cinder Glaze Suede	E26							●	●			
Canvas W/Cocoa Glaze Suede	E27							●	●			
Canvas W/Cocoa Glaze	VG							●	●			
Chestnut	CN							◆	◆			
Chestnut Suede	C23							●	●			
Chestnut W/Onyx Glaze	A54							●	●			
Chestnut W/Onyx Glaze Suede	E12							●	●			
Chocolate	CC	◆	◆					◆	◆			◆
Chocolate Suede	D87	●	●					●	●			●
Chocolate W/Ebony Glaze	EG	●	●									●
Chocolate W/Ebony Glaze Suede	E13	●	●									●
Cinnamon	CA	◆	◆					◆	◆			◆
Cinnamon Suede	C74	●	●					●	●			●
Cinnamon W/Onyx Glaze	A48	●	●					●	●			●
Cinnamon W/Onyx Glaze Suede	E14	●	●					●	●			●
Cognac	CO	◆	◆			◆	◆	◆	◆	◆	◆	◆
Cognac Suede	D85	●	●			●	●	●	●	●	●	●
Dove White	DW			●	●			●	●			
Dove White Suede	D40			●	●			●	●			
Dove White W/Cinder Glaze	B89							●	●			
Dove White W/Cinder Glaze Suede	E30							●	●			
Dove White W/Cocoa Glaze	A15							●	●			
Dove White W/Cocoa Glaze Suede	E31							●	●			
Fawn	FN									◆	◆	
Fawn Suede	D51									●	●	
Ginger	C88	◆	◆			◆	◆	◆	◆	◆	◆	◆
Ginger Suede	C19	●	●			●	●	●	●	●	●	●
Ginger W/Sable Glaze	C11	●	●			●	●	●	●	●	●	●
Ginger W/Sable Glaze Suede	E15	●	●			●	●	●	●	●	●	●
Greyloft	B65			●	●			●	●			
Greyloft Suede	D41			●	●			●	●			
Greyloft W/Sable Glaze	B66							●	●			
Greyloft W/Sable Glaze Suede	E32							●	●			
Honey Spice	HS	◆	◆			◆	◆	◆	◆	◆	◆	◆
Honey Spice Suede	D88	●	●			●	●	●	●	●	●	●
Husk	B82	◆	◆			◆	◆			◆	◆	◆
Husk Suede	C13	●	●			●	●	●	●	●	●	●
Kaffé	KA	◆	◆			◆	◆	◆	◆	◆	◆	◆
Kaffé Suede	C27	●	●			●	●	●	●	●	●	●
Lagoon	E63			●	●			●	●			
Lagoon Suede	E64			●	●			●	●			
Linen	D90			●	●			●	●			
Linen Suede	D93			●	●			●	●			
Linen W/Cinder Glaze	D96							●	●			

Townley Finishes continued

❖ Available as Standard
● Premium Upcharge

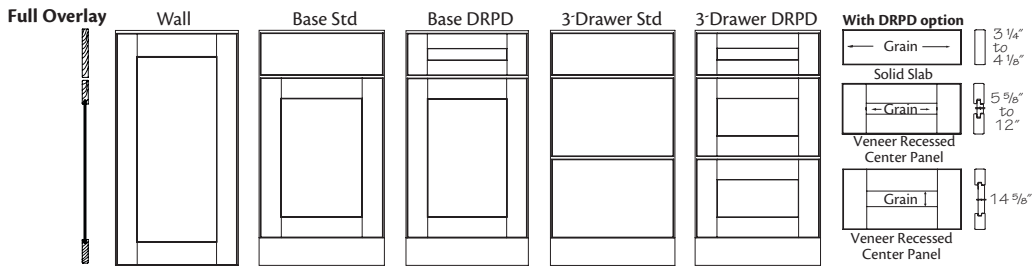
		TWAC9	TWSC9	TWAD9	TWSD9	TWAH9	TWSH9	TWAM9	TWSM9	TWAO9	TWSO9	TWSA9
		Townley Cherry Arch	Townley Cherry Square	Townley EverCore™ Arch	Townley EverCore™ Square	Townley Hickory Arch	Townley Hickory Square	Townley Maple Arch	Townley Maple Square	Townley Oak Arch	Townley Oak Square	Townley Rustic Alder
Linen W/Cinder Glaze Suede	E33							●	●			
Linen W/Cocoa Glaze	D94							●	●			
Linen W/Cocoa Glaze Suede	E34							●	●			
Midnight	B69			●	●			●	●			
Midnight Suede	D42			●	●			●	●			
Midnight W/Onyx Glaze	B70							●	●			
Midnight W/Onyx Glaze Suede	E35							●	●			
Molasses	E58	❖	❖			❖	❖	❖	❖	❖	❖	❖
Molasses Suede	E59	●	●			●	●	●	●	●	●	●
Moonshine	D98			●	●			●	●			
Moonshine Suede	E02			●	●			●	●			
Moonshine W/Cinder Glaze	E04							●	●			
Moonshine W/Cinder Glaze Suede	E36							●	●			
Moonshine W/Cocoa Glaze	E03							●	●			
Moonshine W/Cocoa Glaze Suede	E37							●	●			
Natural	NA	❖	❖			❖	❖	❖	❖	❖	❖	❖
Natural Suede	D89	●	●			●	●	●	●	●	●	●
Onyx	A21			●	●			●	●	●	●	●
Onyx Suede	D44			●	●			●	●	●	●	●
Pebble Grey	B83			●	●			●	●			
Pebble Grey Suede	D45			●	●			●	●			
Pebble Grey W/Cocoa Glaze	B84							●	●			
Pebble Grey W/Cocoa Glaze Suede	E40							●	●			
Peppercorn	PC	❖	❖					❖	❖	❖	❖	❖
Peppercorn Suede	D53	●	●					●	●	●	●	●
Praline	PR	❖	❖			❖	❖	❖	❖	❖	❖	❖
Praline Suede	C78	●	●			●	●	●	●	●	●	●
Praline W/Onyx Glaze	A45					●	●	●	●			
Praline W/Onyx Glaze Suede	E16					●	●	●	●			
Saddle	B81	❖	❖			❖	❖	❖	❖	❖	❖	❖
Saddle Suede	C12	●	●			●	●	●	●	●	●	●
Slate	B64	❖	❖			❖	❖	❖	❖	❖	❖	❖
Slate Suede	C72	●	●			●	●	●	●	●	●	●
Sunset	SU	❖	❖			❖	❖	❖	❖	❖	❖	❖
Sunset Suede	D49	●	●			●	●					●
Surfside	E65			●	●			●	●			
Surfside Suede	E66			●	●			●	●			
Unfinished	UF	❖	❖			❖	❖	❖	❖	❖	❖	❖

Notes

Turner

Full Overlay

AJ0C9	Cherry	Price Column K
AJ0M9	Maple	Price Column I
AJ0O9	Quartersawn Oak	Price Column G
AJ0A9	Rustic Alder	Price Column I



- Solid wood door frame with 3" stiles and rails
- Square veneer recessed panel on wall and base doors
- Slab drawer front
- Deluxe Recessed Panel Drawer (DRPD) front available
- Concealed hinge
- Decorative hardware is required

Decorative Doors & Inserts Available

Aluminum Frame Glass

- Fresco Brushed Aluminum
- Vetro Brushed Aluminum

Camed Glass

- Chateau
- Classic Camed Insert
- Palisades
- Penrose
- Victorian
- Yorkshire

Classic Glass

- Bistro
- Prepared for Glass
- Prism
- Shadow

Etched Glass

- Crossroads
- Lisbon
- Modern Frosted Insert
- Prairie
- Satina

Layered Glass

- Antiquity
- Mirage
- Silk
- Wintersday

Mullion Doors

- Castlegate ★
- Evansville ★
- Hewitt ★
- Showcase Mullion ★
- Traditional Mullion★

Specialty Inserts

- Chalkboard Insert

Textured Glass

- Cascade
- Dolace
- Modern Textured Insert
- Moire
- Ravenna
- Styx
- Vauxhall

★ *Not* available in Rustic door styles

Turner Finishes

- ❖ Available as Standard
- Premium Upcharge

		A10C9	A10M9	A10O9	A10A9
Autumn Blush	AB	❖		❖	❖
Autumn Blush Suede	C21	●		●	●
Autumn Blush W/Onyx Glaze	A56	●	●	●	●
Autumn Blush W/Onyx Glaze Suede	E10	●	●	●	●
Baltic	D78	❖		❖	❖
Baltic Suede	D80	●		●	●
Bonsai	E69		●		
Bonsai Suede	E70		●		
Burmese	E67		●		
Burmese Suede	E68		●		
Cannon Grey	D81	❖		❖	❖
Cannon Grey Suede	D83	●		●	●
Canvas	CV		●		
Canvas Suede	D37		●		
Canvas W/Cinder Glaze	B90		●		
Canvas W/Cinder Glaze Suede	E26		●		
Canvas W/Cocoa Glaze Suede	E27		●		
Canvas W/Cocoa Glaze	VG		●		
Chestnut	CN		❖		
Chestnut Suede	C23		●		
Chestnut W/Onyx Glaze	A54		●		
Chestnut W/Onyx Glaze Suede	E12		●		
Chocolate	CC	❖	❖		❖
Chocolate Suede	D87	●	●		●
Chocolate W/Ebony Glaze	EG	●		●	●
Chocolate W/Ebony Glaze Suede	E13	●		●	●
Cinnamon	CA	❖	❖		❖
Cinnamon Suede	C74	●	●		●
Cinnamon W/Onyx Glaze	A48	●	●		●
Cinnamon W/Onyx Glaze Suede	E14	●	●		●
Cognac	CO	❖	❖	❖	❖
Cognac Suede	D85	●	●	●	●
Dove White	DW		●		
Dove White Suede	D40		●		
Dove White W/Cinder Glaze	B89		●		
Dove White W/Cinder Glaze Suede	E30		●		
Dove White W/Cocoa Glaze	A15		●		
Dove White W/Cocoa Glaze Suede	E31		●		
Fawn	FN			❖	
Fawn Suede	D51		●		
Ginger	C88	❖	❖	❖	❖
Ginger Suede	C19	●	●	●	●
Ginger W/Sable Glaze	C11	●	●	●	●
Ginger W/Sable Glaze Suede	E15	●	●	●	●
Greyloft	B65		●		
Greyloft Suede	D41		●		
Greyloft W/Sable Glaze	B66		●		
Greyloft W/Sable Glaze Suede	E32		●		
Honey Spice	HS	❖	❖	❖	❖
Honey Spice Suede	D88	●	●	●	●
Husk	B82	❖		❖	❖
Husk Suede	C13	●		●	●
Kaffé	KA	❖	❖	❖	❖
Kaffé Suede	C27	●	●	●	●
Lagoon	E63		●		
Lagoon Suede	E64		●		
Linen	D90		●		
Linen Suede	D93		●		
Linen W/Cinder Glaze	D96		●		
Linen W/Cinder Glaze Suede	E33		●		
Linen W/Cocoa Glaze	D94		●		
Linen W/Cocoa Glaze Suede	E34		●		
Midnight	B69		●		
Midnight Suede	D42		●		
Midnight W/Onyx Glaze	B70		●		
Midnight W/Onyx Glaze Suede	E35		●		

		A10C9	A10M9	A10O9	A10A9
Molasses	E58	❖	❖	❖	❖
Molasses Suede	E59	●	●	●	●
Moonshine	D98		●		
Moonshine Suede	E02		●		
Moonshine W/Cinder Glaze	E04		●		
Moonshine W/Cinder Glaze Suede	E36		●		
Moonshine W/Cocoa Glaze	E03		●		
Moonshine W/Cocoa Glaze Suede	E37		●		
Natural	NA	❖	❖	❖	❖
Natural Suede	D89	●	●	●	●
Onyx	A21		●		
Onyx Suede	D44		●		
Pebble Grey	B83		●		
Pebble Grey Suede	D45		●		
Pebble Grey W/Cocoa Glaze	B84		●		
Pebble Grey W/Cocoa Glaze Suede	E40		●		
Peppercorn	PC	❖	❖	❖	❖
Peppercorn Suede	D53	●	●	●	●
Praline	PR	❖	❖	❖	❖
Praline Suede	C78	●	●	●	●
Praline W/Onyx Glaze	A45		●		
Praline W/Onyx Glaze Suede	E16		●		
Saddle	B81	❖	❖	❖	❖
Saddle Suede	C12	●	●	●	●
Slate	B64	❖	❖	❖	❖
Slate Suede	C72	●	●	●	●
Sunset	SU	❖			❖
Sunset Suede	D49	●			●
Surfside	E65		●		
Surfside Suede	E66		●		
Unfinished	UF	❖	❖	❖	❖

Vega

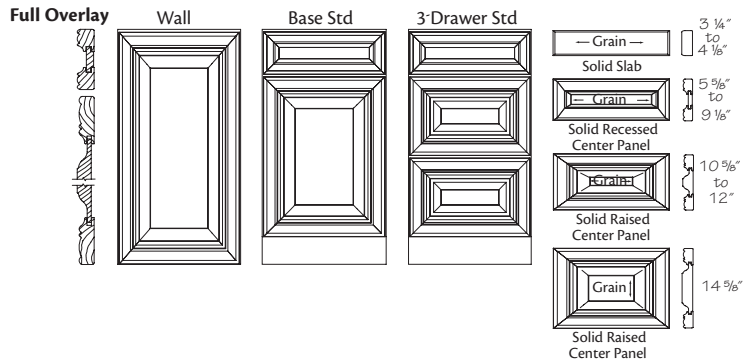
Full Overlay

AA1C9 Cherry

Price Column R

AA1M9 Maple

Price Column Q



- Solid wood mitered door frame with 3" stiles and rails
- Square solid raised panel on wall and base doors
- Drawer front varies depending on height
- Concealed hinge
- Decorative hardware is required

Decorative Doors & Inserts Available

Aluminum Frame Glass

- Fresco Brushed Aluminum
- Vetro Brushed Aluminum

Camed Glass

- Chateau
- Classic Camed Insert
- Palisades
- Penrose
- Victorian
- Yorkshire

Classic Glass

- Bistro
- Prepared for Glass
- Prism
- Shadow

Etched Glass

- Crossroads
- Lisbon
- Modern Frosted Insert
- Prairie
- Satina

Layered Glass

- Antiquity
- Mirage
- Silk
- Wintersday

Mullion Doors

- Castlegate
- Evansville
- Hewitt
- Showcase Mullion
- Traditional Mullion

Specialty Inserts

- Chalkboard Insert

Textured Glass

- Cascade
- Dolace
- Modern Textured Insert
- Moire
- Ravenna
- Styx
- Vauxhall

Vega Finishes

- ❖ Available as Standard
- Premium Upcharge

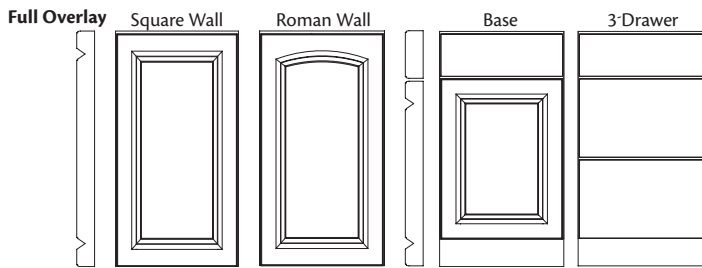
		AA1C9	AA1M9
	Vega Cherry Square		
	Vega Maple Square		
Aged Concrete	E06	●	●
Aged Papyrus	E05	●	●
Aged River Rock	E07	●	●
Autumn Blush	AB	❖	
Autumn Blush Suede	C21	●	●
Autumn Blush W/Onyx Glaze	A56	●	●
Autumn Blush W/Onyx Glaze Suede	E10	●	●
Baltic	D78	❖	
Baltic Suede	D80	●	●
Bonsai	E69	●	●
Bonsai Suede	E70	●	●
Burmese	E67	●	●
Burmese Suede	E68	●	●
Cannon Grey	D81	❖	
Cannon Grey Suede	D83	●	●
Canvas	CV	●	●
Canvas Suede	D37	●	●
Canvas W/Cinder Glaze	B90	●	●
Canvas W/Cinder Glaze Suede	E26	●	●
Canvas W/Cocoa Glaze Suede	E27	●	●
Canvas W/Cocoa Glaze	VG	●	●
Chestnut	CN	❖	
Chestnut Suede	C23	●	●
Chestnut W/Onyx Glaze	A54	●	●
Chestnut W/Onyx Glaze Suede	E12	●	●
Chocolate	CC	❖	❖
Chocolate Suede	D87	●	●
Chocolate W/Ebony Glaze	EG	●	●
Chocolate W/Ebony Glaze Suede	E13	●	●
Cinnamon	CA	❖	❖
Cinnamon Suede	C74	●	●
Cinnamon W/Onyx Glaze	A48	●	●
Cinnamon W/Onyx Glaze Suede	E14	●	●
Cognac	CO	❖	❖
Cognac Suede	D85	●	●
Distressed Autumn Blush	C22	●	●
Distressed Baltic	D79	●	●
Distressed Cannon Grey	D82	●	●
Distressed Chestnut	C24	●	●
Distressed Chocolate	D86	●	●
Distressed Cinnamon	C75	●	●
Distressed Cognac	D84	●	●
Distressed Ginger	C20	●	●
Distressed Husk	C15	●	●
Distressed Kaffé	C28	●	●
Distressed Molasses	E60	●	●
Distressed Peppercorn	C86	●	●
Distressed Praline	C79	●	●
Distressed Saddle	C14	●	●
Distressed Slate	C73	●	●
Distressed Sunset	D50	●	●
Dove White	DW	●	●
Dove White Suede	D40	●	●
Dove White W/Cinder Glaze	B89	●	●
Dove White W/Cinder Glaze Suede	E30	●	●
Dove White W/Cocoa Glaze	A15	●	●
Dove White W/Cocoa Glaze Suede	E31	●	●
Ginger	C88	❖	❖
Ginger Suede	C19	●	●
Ginger W/Sable Glaze	C11	●	●
Ginger W/Sable Glaze Suede	E15	●	●
Greyloft	B65	●	●
Greyloft Suede	D41	●	●
Greyloft W/Sable Glaze	B66	●	●
Greyloft W/Sable Glaze Suede	E32	●	●
Honey Spice	HS	❖	❖
Honey Spice Suede	D88	●	●

		AA1C9	AA1M9
	Vega Cherry Square		
	Vega Maple Square		
Husk	B82	❖	
Husk Suede	C13	●	●
Kaffé	KA	❖	❖
Kaffé Suede	C27	●	●
Lagoon	E63	●	●
Lagoon Suede	E64	●	●
Linen	D90	●	●
Linen Suede	D93	●	●
Linen W/Cinder Glaze	D96	●	●
Linen W/Cinder Glaze Suede	E33	●	●
Linen W/Cocoa Glaze	D94	●	●
Linen W/Cocoa Glaze Suede	E34	●	●
Midnight	B69	●	●
Midnight Suede	D42	●	●
Midnight W/Onyx Glaze	B70	●	●
Midnight W/Onyx Glaze Suede	E35	●	●
Molasses	E58	❖	❖
Molasses Suede	E59	●	●
Moonshine	D98	●	●
Moonshine Suede	E02	●	●
Moonshine W/Cinder Glaze	E04	●	●
Moonshine W/Cinder Glaze Suede	E36	●	●
Moonshine W/Cocoa Glaze	E03	●	●
Moonshine W/Cocoa Glaze Suede	E37	●	●
Natural	NA	❖	❖
Natural Suede	D89	●	●
Onyx	A21	●	●
Onyx Suede	D44	●	●
Pebble Grey	B83	●	●
Pebble Grey Suede	D45	●	●
Pebble Grey W/Cocoa Glaze	B84	●	●
Pebble Grey W/Cocoa Glaze Suede	E40	●	●
Peppercorn	PC	❖	❖
Peppercorn Suede	D53	●	●
Praline	PR	❖	❖
Praline Suede	C78	●	●
Praline W/Onyx Glaze	A45	●	●
Praline W/Onyx Glaze Suede	E16	●	●
Saddle	B81	❖	❖
Saddle Suede	C12	●	●
Slate	B64	❖	❖
Slate Suede	C72	●	●
Sunset	SU	❖	
Sunset Suede	D49	●	●
Surfside	E65	●	●
Surfside Suede	E66	●	●
Unfinished	UF	❖	❖
Vintage Canvas	VC	●	●
Vintage Canvas Suede	E42	●	●
Vintage Dove White	VD	●	●
Vintage Dove White Suede	E44	●	●
Vintage Greyloft	B67	●	●
Vintage Greyloft Suede	E45	●	●
Vintage Linen	D91	●	●
Vintage Linen Suede	E46	●	●
Vintage Midnight	B71	●	●
Vintage Midnight Suede	E47	●	●
Vintage Moonshine	D99	●	●
Vintage Moonshine Suede	E48	●	●
Vintage Onyx	VO	●	●
Vintage Onyx Suede	E50	●	●
Vintage Pebble Grey	B86	●	●
Vintage Pebble Grey Suede	E51	●	●

Winterport

Full Overlay

ECR9	Arch Cream Thermofoil	Price Column C
EWR9	Arch White Thermofoil	Price Column C
ECS9	Cream Thermofoil	Price Column C
EWS9	White Thermofoil	Price Column C



- Thermofoil on 3/4" thick MDF substrate
- Square design has raised center panel on wall and base doors
- Arch design has raised panels on wall doors only; base doors will be square
- Slab drawer front
- Concealed hinge
- Decorative hardware is required



Remember, all Foil and Thermofoil door styles will have a natural birch interior and a white or cream laminate exterior. Also, the underside of the cabinets are natural birch. To cover the underside, order an Under Cabinet Panel.

Decorative Doors & Inserts Available

Aluminum Frame Glass

- Fresco Brushed Aluminum
- Vetro Brushed Aluminum

Camed Glass

- Chateau
- Classic Camed Insert
- Palisades
- Penrose
- Victorian
- Yorkshire

Classic Glass

- Bistro
- Prepared for Glass
- Prism ★
- Shadow

Etched Glass

- Crossroads
- Lisbon
- Modern Frosted Insert ★
- Prairie
- Satina

Layered Glass

- Antiquity
- Mirage
- Silk
- Wintersday

Mullion Doors

- Traditional Mullion

Specialty Inserts

- Chalkboard Insert

Textured Glass

- Cascade
- Dolace
- Modern Textured Insert
- Moire
- Ravenna
- Styx
- Vauxhall

★ *Not available in Arch door styles*

Winterport Finishes

- ❖ Available as Standard
- Premium Upcharge

		Winterport Cream Arch	ECR9
		Winterport Cream Square	ECS9
		Winterport White Arch	EW9
		Winterport White Square	EW59
Cream	CS	❖	
White	WH		❖

Notes

Finish Terminology

- End Grain

End grain surfaces and softer areas of the wood may accept more stain and often appear darker than other surfaces. This is a natural reaction when finishing wood products and potential variances **cannot** be controlled

- Joint Lines

Since wood is in a constant state of expansion and contraction, visible lines are normal at the joints on the cabinet face frames and doors. This does **not** weaken the finish or the strength of the joint

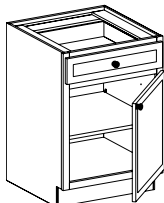
- Telegraphing

Show through or "telegraphing" of wood characteristics may happen when paint is applied to any specie of natural wood. These characteristics, such as open grain, pin holes, knots and mineral streaks, may be visible through the paint. Telegraphing may happen on doors, face frames, moldings, decorative end panels or other decorative enhancements made of natural wood. Please consider this when selling any of our finishes that feature paint as the base technique, including paint with glaze and vintage techniques

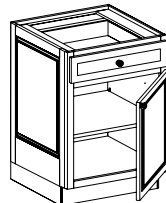
Note: Individual veneer doors vary in absorption of finishes and glaze hang-up. Also, veneer door styles, which are usually simple door designs, may **not** contain as much glaze hang-up as ornate door designs. Therefore, Masco Cabinetry recommends that a sample veneer door be viewed in the desired finish before placing a full kitchen order

Note: Based on independent testing, discoloration will occur to doors, drawers and cabinet parts after prolonged exposure to tobacco smoke. This is especially noticeable on white and other lighter finishes. However, Masco Cabinetry does **not** warranty any of its finishes against discoloration due to exposure to smoke

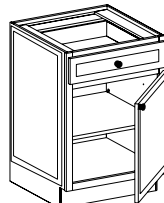
Examples of ways to finish ends:



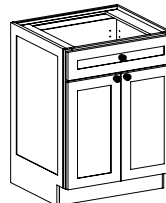
Wood Skin



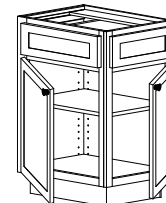
Matching End Panel



Wood Skin with Replacement Door



Integrated End



Operational End

Warping, Cracking & Proper Humidity

As a natural characteristic, all wood products contain moisture. Changes in temperature and humidity affect the moisture content in wood, which causes wood to expand or contract. Over time, this expansion or contraction can cause warping and joint cracks to occur, potentially causing permanent deformations, in wood cabinetry.

To help prevent excessive movement in your wood cabinetry, we recommend maintaining a controlled environment of 70 to 75 degrees Fahrenheit and 30% to 50% humidity in the areas where your cabinetry is stored or installed. Environmental conditions **cannot** be controlled by Masco Cabinetry and the effects of the movement in wood is **not** considered to be a manufacturing defect and will **not** be considered a reason for replacement.

See the doors section of this book for door specie information and descriptions

Note: Wood products, including cabinet doors and face frames, are typically affected by environmental conditions. Color variation over time, as well as normal movement due to wood's expansion and contraction is part of the natural beauty of wood. This normal movement may cause hairline cracks in the finish surface at the joints and is considered a normal characteristic of semi-opaque or painted finishes. This will **not** be considered a reason for product replacement

Standard Thermofoil Finishes

- **Cream**
Solid off-white color Thermofoil with a satin finish
- **CS** Cream
- **White**
Solid white color Thermofoil with a satin finish
- **WH** White

High-Gloss Foil Finishes

- **Dove White**
White color Thermofoil with a high-gloss finish
- **D58L**

Wood-Grain Foil Finishes

- **Cannon Grey**
A medium grey Thermofoil with a wood-grain finish
- **D81O**
- **Dove White**
A white Thermofoil with a wood-grain finish
- **WH**

Standard Stains

- Stain Finish Process

Stained finishes truly showcase the natural beauty and characteristics inherent in each individual wood species. Based on the stain color chosen, a toner may be applied to the wood to equalize natural sap levels. The stain color is applied and hand-rubbed to ensure full and equal color coverage for doors and drawer fronts

As a final step, our oven-cured MasterCoat™ topcoat is applied to provide a beautiful and durable furniture finish.

Finish availability may vary by door style. See Finish Availability Chart

- Autumn Blush

A warm, rich brown stained finish with reddish overtones

- **ABA** Alder
- **ABC** Cherry
- **ABO** Oak

- Baltic

A light grey stain with warm undertones that enhances the beauty of the wood grain

- **D78A** Alder
- **D78C** Cherry
- **D78O** Oak

- Cannon Grey

A medium grey stain with cool undertones that enhances the beauty of the wood grain

- **D81A** Alder
- **D81C** Cherry
- **D81O** Oak

- Chestnut

Medium brown stained finish with reddish overtones

- **CNM** Maple

- Chocolate

Luscious, medium-brown stained finish

- **CCA** Alder
- **CCC** Cherry
- **CCM** Maple

- Cinnamon

Spicy, reddish-brown stained finish with golden overtones

- **CAA** Alder
- **CAC** Cherry
- **CAM** Maple

- Cognac

Medium brown stained finish with pale yellow and dark brown undertones

- **COA** Alder
- **COC** Cherry
- **COH** Hickory
- **COM** Maple
- **COO** Oak

- Fawn

A soft nut brown stained finish

- **FNO** Oak

- Ginger

A light reddish-brown stained finish with warm undertones

- **C88A** Alder
- **C88C** Cherry
- **C88H** Hickory
- **C88M** Maple
- **C88O** Oak

- Honey Spice

A warm golden stained finish

- **HSA** Alder
- **HSC** Cherry
- **HSH** Hickory
- **HSM** Maple
- **HSO** Oak

- Husk

A neutral camel stained finish with a dark patina that highlights the natural wood grain characteristics and details. Colors ranging from light tan to dark brown are qualities that can be expected in the finished product

- **B82A** Alder
- **B82C** Cherry
- **B82H** Hickory
- **B82O** Oak

- Kaffé

A warm, rich brown stained finish with deep brown undertones and black overtones

- **KA A** Alder
- **KAC** Cherry
- **KAH** Hickory
- **KAM** Maple
- **KA O** Oak

- Molasses

A cool, deep, grey-brown stained finish

- **E58A** Alder
- **E58C** Cherry
- **E58H** Hickory
- **E58M** Maple
- **E58O** Oak

- Natural

Two coats of clear, colorless topcoat on unstained wood

- **NAA** Alder
- **NAC** Cherry
- **NAH** Hickory
- **NAM** Maple
- **NAO** Oak

- Peppercorn

A dark brown stained finish with rich black overtones

- **PCA** Alder
- **PCC** Cherry
- **PCM** Maple
- **PCO** Oak

- Praline

A golden stained finish with yellow overtones

- **PRA** Alder
- **PRC** Cherry
- **PRH** Hickory
- **PRM** Maple
- **PRO** Oak

- Saddle

A cool, deep, smoky brown stained finish that is reminiscent of walnut

- **B81A** Alder
- **B81C** Cherry
- **B81H** Hickory
- **B81M** Maple
- **B81O** Oak

- **Slate**

A sheer, rich grey stained finish that enhances the beauty of the wood grain

- **B64C** Cherry
- **B64H** Hickory
- **B64M** Maple
- **B64O** Oak

- **Sunset**

A medium brown stained finish

- **SUA** Alder
- **SUC** Cherry
- **SUH** Hickory

- **Unfinished**

Our cabinetry, moldings and accessories are available unfinished. If you select the unfinished option, you **must** order unfinished wood veneer skins, plywood construction (PE) or plywood ends (PEB) for all cabinets with exposed ends, otherwise, Natural Oak wood grain laminate ends will be supplied. Unfinished cabinetry will be supplied with standard wood grain laminate interior. To get unfinished wood veneer interiors, you **must** order each cabinet with a Matching Interior (MI) option other than Matching Interior Standard Construction—wood grain laminate (MIV). On cabinets that are standard MIV, you **must** order each cabinet with a Matching Interior option other than MIV. Order each cabinet with Furniture Plywood Ends (FPEB) or place the cabinets on an order with All Plywood Construction (APC).

Note: Unfinished cabinets lack the protection of a finish coat and are more susceptible to damage from variations in temperature and humidity. For this reason, we do **not** recommend or warranty this option

Note: If ordering unfinished cabinets and you intend to stain them, note that with certain models glass may be permanently attached with silicon. This will result in uneven color or inability to stain all surface areas. Order cabinets without glass in order to achieve even staining

- **UFA** Alder
- **UFC** Cherry
- **UFH** Hickory
- **UFM** Maple
- **UFO** Oak

Premium Stain w/Suede Topcoat Finishes

- Stain w/Suede Topcoat Finish Process

Stained finishes truly showcase the natural beauty and characteristics inherent in each individual wood species. Based on the stain color chosen, a toner may be applied to the wood to equalize natural sap levels. The stain color is applied and hand-rubbed to ensure full and equal color coverage for doors and drawer fronts

As a final step, a matte sheen, Suede MasterCoat™ topcoat is applied that softens the overall color tone, giving a more subtle and sophisticated appearance to cabinetry.

Finish availability may vary by door style. See Finish Availability Chart

- Autumn Blush Suede

A warm, rich brown stained finish with reddish overtones with a matte topcoat that softens the color tone and wood characteristics

- **C21A** Alder
- **C21C** Cherry
- **C21O** Oak

- Baltic Suede

A light grey stain with warm undertones with a matte topcoat that softens the color tone and wood characteristics

- **D80A** Alder
- **D80C** Cherry
- **D80O** Oak

- Cannon Grey Suede

A medium grey stain with cool undertones with a matte topcoat that softens the color tone and wood characteristics

- **D83A** Alder
- **D83C** Cherry
- **D83O** Oak

- Chestnut Suede

Medium brown stained finish with a matte topcoat that softens the color tone and wood characteristics

- **C23M** Maple

- Chocolate Suede

Luscious, medium-brown stained finish with a matte topcoat that softens the color tone and wood characteristics

- **D87A** Alder
- **D87C** Cherry
- **D87M** Maple

- Cinnamon Suede

Spicy, reddish-brown stained finish with golden overtones with a matte topcoat that softens the color tone and wood characteristics

- **C74A** Alder
- **C74C** Cherry
- **C74M** Maple

- Cognac Suede

Medium brown stained finish with pale yellow and dark brown undertones with a matte topcoat that softens the color tone and wood characteristics

- **D85A** Alder
- **D85C** Cherry
- **D85H** Hickory
- **D85M** Maple
- **D85O** Oak

- Fawn Suede

A soft nut brown stained finish with a matte topcoat that softens the color tone and wood characteristics

- **D51O** Oak

- Ginger Suede

A light reddish-brown stained finish with a matte top coat that softens the color tone and wood characteristics

- **C19A** Alder
- **C19C** Cherry
- **C19H** Hickory
- **C19M** Maple
- **C19O** Oak

- Honey Spice Suede

A warm golden stained finish with a matte topcoat that softens the color tone and wood characteristics

- **D88A** Alder
- **D88C** Cherry
- **D88H** Hickory
- **D88M** Maple
- **D88O** Oak

- Husk Suede

A neutral camel stained finish with a matte topcoat that softens the color tone and wood characteristics

- **C13A** Alder
- **C13C** Cherry
- **C13H** Hickory
- **C13O** Oak

- Kaffé Suede

A warm, rich brown stained finish with deep brown undertones and black overtones with a matte topcoat that softens the color tone and wood characteristics

- **C27A** Alder
- **C27C** Cherry
- **C27H** Hickory
- **C27M** Maple
- **C27O** Oak

- Molasses Suede

A cool, deep, grey-brown stained finish with a matte topcoat that softens the color tone and wood characteristics

- **E59A** Alder
- **E59C** Cherry
- **E59H** Hickory
- **E59M** Maple
- **E59O** Oak

- Natural Suede

Two coats of clear, matte, colorless topcoat that softens the wood characteristics

- **D89A** Alder
- **D89C** Cherry
- **D89H** Hickory
- **D89M** Maple
- **D89O** Oak

- Peppercorn Suede

A dark brown stained finish with rich black overtones with a matte topcoat that softens the color tone and wood characteristics

- **D53A** Alder
- **D53C** Cherry
- **D53M** Maple
- **D53O** Oak

- **Praline Suede**

A golden stained finish with yellow overtones with a matte topcoat that softens the color tone and wood characteristics

- **C78A** Alder
- **C78C** Cherry
- **C78H** Hickory
- **C78M** Maple
- **C78O** Oak

- **Saddle Suede**

A cool, deep, smoky brown stained finish with a matte top coat that softens the color tone and wood characteristics

- **C12A** Alder
- **C12C** Cherry
- **C12H** Hickory
- **C12M** Maple
- **C12O** Oak

- **Slate Suede**

A sheer, rich grey stained finish with a matte topcoat that softens the color tone and wood characteristics

- **C72C** Cherry
- **C72H** Hickory
- **C72M** Maple
- **C72O** Oak

- **Sunset Suede**

A medium brown stained finish with a matte topcoat that softens the color tone and wood characteristics

- **D49A** Alder
- **D49C** Cherry
- **D49H** Hickory

Premium Stain w/Glaze Finishes

- Stain w/Glaze Finish Process

Glazed finishes add richness and warmth to wood surfaces.

The base stain or paint finish is applied, followed by the application of a glaze finish to the entire door or drawer front to add richness and warmth to wood surfaces.

The glaze is then hand-wiped to create soft, light “hang-up” in profiles and recesses of the wood.

A glaze highlight is hand-applied to detail the recesses of applicable door and drawer designs.

Each door design, wood species and glaze finish has its own charming character and will create a unique, one-of-a-kind look.

Natural wood characteristics such as gum pockets, streaks and pin knots may be visible, particularly with some of our lighter paints. These characteristics tend to be more pronounced on the backs of our doors and drawers

As a final step, our oven-cured MasterCoat™ topcoat is applied to provide a beautiful and durable furniture finish.

Finish availability may vary by door style. See Finish Availability Chart

- Autumn Blush w/Onyx Glaze

Warm, rich reddish-brown background stained finish with shadowy black glaze hang-up in corners and profile recesses

- **A56A** Alder
- **A56C** Cherry
- **A56O** Oak

- Chestnut w/Onyx Glaze

A medium brown background stained finish with reddish overtones with shadowy black glaze hang-up in corners and profile recesses

- **A54M** Maple

- Chocolate w/Ebony Glaze

Luscious, medium brown background stained finish with classic black glaze hang-up in corners and profile recesses

- **EGA** Alder
- **EGC** Cherry

- Cinnamon w/Onyx Glaze

A spicy, reddish-brown background stained finish with shadowy black glaze hang-up in corners and profile recesses

- **A48A** Alder
- **A48C** Cherry
- **A48M** Maple

- Ginger w/Sable Glaze

A light reddish-brown stained finish with rich brown glaze hang-up in corners and profile recesses

- **C11A** Alder
- **C11C** Cherry
- **C11H** Hickory
- **C11M** Maple
- **C11O** Oak

- Praline w/Onyx Glaze

A golden background stained finish with yellow overtones with shadowy black glaze hang-up in corners and profile recesses

- **A45H** Hickory
- **A45M** Maple

Premium Stain w/Glaze Suede Topcoat Finishes

- Stain w/Glaze Suede

Glazed finishes add richness and warmth to wood surfaces.

The base stain or paint finish is applied, followed by the application of a glaze finish to the entire door or drawer front to add richness and warmth to wood surfaces.

The glaze is then hand-wiped to create soft, light “hang-up” in profiles and recesses of the wood.

A glaze highlight is hand-applied to detail the recesses of applicable door and drawer designs.

Each door design, wood species and glaze finish has its own charming character and will create a unique, one-of-a-kind look.

Natural wood characteristics such as gum pockets, streaks and pin knots may be visible, particularly with some of our lighter paints. These characteristics tend to be more pronounced on the backs of our doors and drawers

As a final step, a matte sheen, Suede MasterCoat™ topcoat is applied that softens the overall color tone, giving a more subtle and sophisticated appearance to cabinetry.

Finish availability may vary by door style. See Finish Availability Chart

- Autumn Blush w/Onyx Glaze Suede

Warm, rich reddish brown background stained finish with shadowy black glaze hang-up in corners and profile recesses and a matte topcoat that softens the color tone and wood

- **E10A** Alder
- **E10C** Cherry
- **E10O** Oak

- Chestnut w/Onyx Glaze Suede

A medium brown background stained finish with reddish overtones with shadowy black glaze hang-up in corners and profile recesses and a matte topcoat that softens the color tone and wood characteristics

- **E12M** Maple

- Chocolate w/Ebony Glaze Suede

Luscious, medium brown background stained finish with classic black glaze hang-up in corners and profile recesses and a matte topcoat that softens the color tone and wood characteristics

- **E13A** Alder
- **E13C** Cherry

- Cinnamon w/Onyx Glaze Suede

A spicy, reddish-brown background stained finish with shadowy black glaze hang-up in corners and profile recesses and a matte topcoat that softens the color tone and wood characteristics

- **E14A** Alder
- **E14C** Cherry
- **E14M** Maple

- Ginger w/Sable Glaze Suede

A light reddish-brown stained finish with rich brown glaze hang-up in corners and profile recesses and a matte topcoat that softens the color tone and wood characteristics

- **E15A** Alder
- **E15C** Cherry
- **E15H** Hickory
- **E15M** Maple
- **E15O** Oak

- Praline w/Onyx Glaze Suede

A golden background stained finish with yellow overtones with shadowy black glaze hang-up in corners and profile recesses and a matte topcoat that softens the color tone and wood characteristics

- **E16H** Hickory
- **E16M** Maple

Premium Distressed Stain Finishes

- Distressed Stain Finish Process

Our distressing technique evokes the look of reclamation and restoration. These effects are hand applied artisan methods that are random and inconsistent in appearance. The techniques are designed to replicate the look of reclaimed wood that has been repurposed. The effects include edge rasping, worm holes, edge burnishing, softened corners, random industrial distressing and a suede top coat.

The multi-step process begins with a light, artistic, over sanding technique applied to corners and relief areas of doors and drawers. Panels and profiles of unfinished doors and drawer fronts receive randomly applied worm holing, edge rasping, and distressing techniques.

Next, a heavy, dark burnishing stain is artistically applied to all corners and raised portions of the doors and drawer fronts.

Following the burnishing process, a coat of base stain color is applied then hand wiped to reveal the beauty and inherent natural characteristics of the wood

As a final step, a matte sheen, Suede MasterCoat™ topcoat is applied that softens the overall color tone, giving a more subtle and sophisticated appearance to cabinetry.

Finish availability may vary by door style. See Finish Availability Chart

- Distressed Autumn Blush

A warm, rich brown stained finish with reddish overtones with the distressed technique applied

- **C22A** Alder
- **C22C** Cherry
- **C22O** Oak

- Distressed Baltic

A light grey stain with warm undertones with distressed technique

- **D79A** Alder
- **D79C** Cherry
- **D79O** Oak

- Distressed Cannon Grey

A medium grey stain with cool undertones with distressed technique

- **D82A** Alder
- **D82C** Cherry
- **D82O** Oak

- Distressed Chestnut

Medium brown stained finish with reddish overtones with the distressed technique applied

- **C24M** Maple

- Distressed Chocolate

Luscious, medium-brown stained finish with distressed technique applied

- **D86A** Alder
- **D86C** Cherry
- **D86M** Maple

- Distressed Cinnamon

Spicy, reddish-brown stained finish with golden overtones with the distressed technique applied

- **C75A** Alder
- **C75C** Cherry
- **C75M** Maple

- Distressed Cognac

Medium brown stained finish with pale yellow and dark brown undertones with distressed technique

- **D84A** Alder
- **D84C** Cherry
- **D84H** Hickory
- **D84M** Maple
- **D84O** Oak

- Distressed Fawn

A soft nut brown stained finish with the distressed technique applied

- **D52O** Oak

- Distressed Ginger

A light reddish-brown stained finish with the distressed technique applied

- **C20A** Alder
- **C20C** Cherry
- **C20H** Hickory
- **C20M** Maple
- **C20O** Oak

- Distressed Husk

A neutral camel stained finish with the distressed technique applied

- **C15A** Alder
- **C15C** Cherry
- **C15H** Hickory
- **C15M** Maple
- **C15O** Oak

- Distressed Kaffé

A warm, rich brown stained finish with deep brown undertones and black overtones with the distressed technique applied

- **C28A** Alder
- **C28C** Cherry
- **C28H** Hickory
- **C28M** Maple
- **C28O** Oak

- Distressed Molasses

A cool, deep, grey-brown stained finish with the distressed technique applied

- **E60A** Alder
- **E60C** Cherry
- **E60H** Hickory
- **E60M** Maple
- **E60O** Oak

- Distressed Peppercorn

A dark brown stained finish with rich black overtones with the distressed technique applied

- **C86A** Alder
- **C86C** Cherry
- **C86M** Maple
- **C86O** Oak

- Distressed Praline

A golden stained finish with yellow overtones with the distressed technique applied

- **C79A** Alder
- **C79C** Cherry
- **C79H** Hickory
- **C79M** Maple
- **C79O** Oak

- Distressed Saddle

A cool, deep, smoky brown stained finish with the distressed technique applied

- **C14A** Alder
- **C14C** Cherry
- **C14H** Hickory
- **C14M** Maple
- **C14O** Oak

- Distressed Slate

A sheer, rich grey stained finish with the distressed technique applied

- **C73C** Cherry
- **C73H** Hickory
- **C73M** Maple
- **C73O** Oak

- Distressed Sunset

A medium brown stained finish with the distressed technique applied

- **D50A** Alder
- **D50C** Cherry
- **D50H** Hickory

Premium Painted Finishes

- Painted Finish Process

Painted finishes feature rich, beautiful color coating the wood, adding rich depth to your selected profile.

Paint is applied utilizing a spray application process to, EverCore™, Maple or Oak.

EverCore™ is a mechanically compressed wood fiber material that reacts less to environmental conditions than other hardwood materials. It is less susceptible to expansion and contractions that can cause joints to separate showing hairline cracks in painted products. It also provides a more consistent and smooth surface, eliminating the appearance of naturally occurring wood characteristics such as grain patterns, knots or mineral streaks.

For a hardwood option, most painted surfaces are available in Maple due to the more uniform appearance and smooth, clean characteristics of this wood. Since wood naturally expands and contracts, you may see hairline separation in the finish surface at the joints. Joint lines are normal and do *not* affect the strength of the door's construction. Alternative materials may be used in the construction of the door and drawer fronts to minimize the environmental effects of joints and panels.

Natural wood characteristics such as gum pockets, streaks and pin knots may be visible, particularly with some of our lighter paints. These characteristics tend to be more pronounced on the backs of our doors and drawers

As a final step, our oven-cured MasterCoat™ topcoat is applied to provide a beautiful and durable furniture finish.

Finish availability may vary by door style. See Finish Availability Chart

- Bonsai

A medium green paint with a hint of grey

- **E69D** EverCore™
- **E69M** Maple

- Burmese

A midtone warm neutral paint

- **E67D** EverCore™
- **E67M** Maple

- Canvas

Creamy white painted finish

Available on select EverCore™ and Maple door styles

- **CVD** EverCore™
- **CVM** Maple

- Dove White

White painted finish

- **DWD** EverCore™
- **DWM** Maple

- Greyloft

Warm, earthy, midtone grey painted finish

- **B65D** EverCore™
- **B65M** Maple

- Lagoon

A medium blue paint with grey undertones

- **E63D** EverCore™
- **E63M** Maple

- Linen

Khaki colored, light neutral painted finish

- **D90D** EverCore™
- **D90M** Maple

- Midnight

Rich, dark blue painted finish reminiscent of the night sky

- **B69D** EverCore™
- **B69M** Maple

- Moonshine

Very light and soft, grey neutral painted finish

- **D98D** EverCore™
- **D98M** Maple

- Onyx

Black painted finish

- **A21D** EverCore™
- **A21M** Maple
- **A21O** Oak

- Pebble Grey

A cool, light grey painted finish

- **B83D** EverCore™
- **B83M** Maple

- Surfside

A very light blue paint with a hint of grey

- **E65D** EverCore™
- **E65M** Maple

Premium Paint w/Suede Topcoat Finishes

Paint w/Suede Topcoat Finish Process

Painted finishes feature rich, beautiful color coating the wood, adding rich depth to your selected profile.

Paint is applied utilizing a spray application process.

Since wood naturally expands and contracts, you may see hairline separation in the finish surface at the joints. Joint lines are normal and do *not* affect the strength of the door's construction

Most painted finishes are available only on maple due to the more uniform appearance and smooth, clean characteristics of this wood.

Natural wood characteristics such as gum pockets, streaks and pin knots may be visible, particularly with some of our lighter paints. These characteristics tend to be more pronounced on the backs of our doors and drawers

As a final step, our oven-cured, matte sheen Suede MasterCoat™ topcoat is applied to provide a beautiful and durable furniture finish.

Finish availability may vary by door style. See Finish Availability Chart

- **Bonsai Suede**

A medium green paint with a hint of grey with a matte topcoat that softens the color tone and wood characteristics

- **E70D** EverCore™
- **E70M** Maple

- **Burmese Suede**

A midtone warm neutral paint with a matte topcoat that softens the color tone and wood characteristics

- **E68D** EverCore™
- **E68M** Maple

- **Canvas Suede**

Creamy white painted finish with a matte topcoat that softens the color tone and wood characteristics

- **D37D** EverCore™
- **D37M** Maple

- **Dove White Suede**

White painted finish with a matte topcoat that softens the color tone and wood characteristics

- **D40D** EverCore™
- **D40M** Maple

- **Greyloft Suede**

Warm, midtone grey painted finish with a matte topcoat that softens the color tone and wood characteristics

- **D41D** EverCore™
- **D41M** Maple

- **Lagoon Suede**

A medium blue paint with grey undertones and a matte topcoat that softens the color tone and wood characteristics

- **E64D** EverCore™
- **E64M** Maple

- **Linen Suede**

Khaki colored, light neutral painted finish with a matte topcoat that softens the color tone

- **D93D** EverCore
- **D93M** Maple

- **Midnight Suede**

Rich, dark blue painted finish with a matte topcoat that softens the color tone and wood characteristics

- **D42D** EverCore™
- **D42M** Maple

- **Moonshine Suede**

Very light and soft, grey neutral painted finish with a matte topcoat that softens the color tone

- **E02D** EverCore
- **E02M** Maple

- **Onyx Suede**

Black painted finish with a matte topcoat that softens the color tone and wood characteristics

- **D44D** EverCore™
- **D44M** Maple
- **D44O** Oak

- **Pebble Grey Suede**

Cool, light grey painted finish with a matte topcoat that softens the color tone and wood characteristics

- **D45D** EverCore
- **D45M** Maple

- **Surfside Suede**

A very light blue paint with a hint of grey and a matte topcoat that softens the color tone and wood characteristics

- **E66D** EverCore™
- **E66M** Maple

Premium Paint w/Glaze Finishes

- Paint w/Glaze Finish Process

Glazed finishes add richness and warmth to wood surfaces.

The base stain or paint finish is applied, followed by the application of a glaze finish to the entire door or drawer front to add richness and warmth to wood surfaces.

The glaze is then hand-wiped to create soft, light “hang-up” in profiles and recesses of the wood.

A glaze highlight is hand-applied to detail the recesses of applicable door and drawer designs.

Each door design, wood species and glaze finish has its own charming character and will create a unique, one-of-a-kind look.

Natural wood characteristics such as gum pockets, streaks and pin knots may be visible, particularly with some of our lighter paints. These characteristics tend to be more pronounced on the backs of our doors and drawers

As a final step, our oven-cured MasterCoat topcoat is applied to provide a beautiful and durable furniture finish.

Finish availability may vary by door style. See Finish Availability Chart

- Canvas w/Cinder Glaze

Creamy white painted finish background with warm midtone grey glaze hang-up in corners and profile recesses

- B90M Maple

- Canvas w/Cocoa Glaze

Creamy white painted finish background with soft brown glaze hang-up in corners and profile recesses

- VGM Maple

- Dove White w/Cinder Glaze

Dove White painted background with warm midtone grey glaze hang-up in corners and profile recesses

- B89M Maple

- Dove White w/Cocoa Glaze

Dove White painted background with soft brown glaze hang-up in corners and profile recesses

- A15M Maple

- Greyloft w/Sable Glaze

Warm, midtone, grey painted background with rich brown glaze hang-up in corners and profiles

- B66M Maple

- Linen w/Cinder Glaze

Khaki colored, light neutral painted finish background with a warm midtone grey glaze hang-up in corners and profile recesses

- D96M Maple

- Linen w/Cocoa Glaze

Khaki colored, light neutral painted finish background with soft brown glaze hang-up in corners and profile

- D94M Maple

- Midnight w/Onyx Glaze

Rich, dark blue painted background with shadowy black glaze hang-up in corners and profiles

- B70M Maple

- Moonshine w/Cinder Glaze

Very light and soft, grey neutral painted finish background with warm midtone grey glaze hang-up in corners and profile recesses

- E04M Maple

- Moonshine w/Cocoa Glaze

Very light and soft, grey neutral painted finish background with soft brown glaze hang-up in corners and profile

- E03M Maple

- Pebble Grey w/Cocoa Glaze

Cool, light grey painted background with soft brown glaze hang-up in corners and profile recesses

- B84M Maple

Premium Paint w/Glaze Suede Topcoat Finishes

- Paint w/Glaze Suede Finish Process

Glazed finishes add richness and warmth to wood surfaces.

The base stain or paint finish is applied, followed by the application of a glaze finish to the entire door or drawer front to add richness and warmth to wood surfaces.

The glaze is then hand-wiped to create soft, light “hang-up” in profiles and recesses of the wood.

A glaze highlight is hand-applied to detail the recesses of applicable door and drawer designs.

Each door design, wood species and glaze finish has its own charming character and will create a unique, one-of-a-kind look.

Natural wood characteristics such as gum pockets, streaks and pin knots may be visible, particularly with some of our lighter paints. These characteristics tend to be more pronounced on the backs of our doors and drawers

As a final step, a matte sheen, Suede MasterCoat™ topcoat is applied that softens the overall color tone, giving a more subtle and sophisticated appearance to cabinetry.

Finish availability may vary by door style. See Finish Availability Chart

- Canvas w/Cinder Glaze Suede

Creamy white painted finish background with warm midtone grey glaze hang-up in corners and profile recesses and a matte topcoat that softens the color tone

- **E26M** Maple

- Canvas w/Cocoa Glaze Suede

Creamy white painted finish background with soft brown glaze hang-up in corners and profile recesses and a matte topcoat that softens the color tone

- **E27M** Maple

- Dove White w/Cinder Glaze Suede

Dove White painted background with warm midtone grey glaze hang-up in corners and profile recesses and a matte topcoat that softens the color tone

- **E30M** Maple

- Dove White w/Cocoa Glaze Suede

Dove White painted background with soft brown glaze hang-up in corners and profile recesses and a matte topcoat that softens the color tone

- **E31M** Maple

- Greyloft w/Sable Glaze Suede

Warm, midtone, grey painted background with rich brown glaze hang-up in corners and profiles and a matte topcoat that softens the color tone

- **E32M** Maple

- Linen w/Cinder Glaze Suede

Khaki colored, light neutral painted finish background with a warm midtone grey glaze hang-up in corners and profile recesses and a matte topcoat that softens the color tone

- **E33M** Maple

- Linen w/Cocoa Glaze Suede

Khaki colored, light neutral painted finish background with soft brown glaze hang-up in corners and profile and a matte topcoat that softens the color tone

- **E34M** Maple

- Midnight w/Onyx Glaze Suede

Rich, dark blue painted background with shadowy black glaze hang-up in corners and profiles and a matte topcoat that softens the color tone

- **E35M** Maple

- Moonshine w/Cinder Glaze Suede

Very light and soft, grey neutral painted finish background with warm midtone grey glaze hang-up in corners and profile recesses and a matte topcoat that softens the color tone

- **E36M** Maple

- Moonshine w/Cocoa Glaze Suede

Very light and soft, grey neutral painted finish background with soft brown glaze hang-up in corners and profile and a matte topcoat that softens the color tone

- **E37M** Maple

- Pebble Grey w/Cocoa Glaze Suede

Cool, light grey painted background with soft brown glaze hang-up in corners and profile recesses and a matte topcoat that softens the color tone

- **E40M** Maple

Premium Vintage Paint Finishes

- Vintage Finish Process

Vintage finishes give the appearance of heirloom cabinetry that has been well loved and used.

This multi-step process begins with an artistic over-sanding technique applied to corners and relief areas, creating the aged look of fine furniture.

Unfinished doors and drawer heads receive randomly applied wormholes and compression marks to add additional distressing.

Next, several coats of paint finish are applied.

The corners and edges of doors and drawers are over-sanded for a second time, revealing the beauty of natural Cherry wood.

Because this process features distressing, the detail and look will vary from piece to piece

As a final step, our oven-cured MasterCoat™ topcoat is applied to provide a beautiful and durable furniture finish.

Finish availability may vary by door style. See Finish Availability Chart

Available on select Cherry door styles. Visible knots and pinholes are natural characteristics found in Cherry wood, which accentuate the Vintage finish process. These characteristics are **not** considered to be product defects.

Maple or other materials may be used in other cabinet components and accessories to help eliminate the appearance of knots and pinholes in pieces where the Vintage process is **not** applied

- Vintage Canvas

Creamy white painted finish with the Vintage technique applied

- VCC Cherry

- Vintage Dove White

White painted finish with the Vintage technique applied

- VDC Cherry

- Vintage Greyloft

Warm, midtone grey painted finish with the Vintage technique applied

- B67C Cherry

- Vintage Linen

Khaki colored, light neutral painted finish with the Vintage technique applied

- D91C Cherry

- Vintage Midnight

Rich, dark blue painted finish with the Vintage technique applied

- B71C Cherry

- Vintage Moonshine

Very light and soft, grey neutral painted finish with the vintage technique applied

- D99C Cherry

- Vintage Onyx

Black painted finish with the Vintage technique applied

- VOC Cherry

- Vintage Pebble Grey

Cool, light grey painted finish with the Vintage technique applied

- B86C Cherry

Premium Vintage Paint w/Suede Topcoat Finishes

- Vintage Finish with Suede Process

Vintage finishes give the appearance of heirloom cabinetry that has been well loved and used.

This multi-step process begins with an artistic over-sanding technique applied to corners and relief areas, creating the aged look of fine furniture.

Unfinished doors and drawer heads receive randomly applied wormholes and compression marks to add additional distressing.

Next, several coats of paint finish are applied.

The corners and edges of doors and drawers are over-sanded for a second time, revealing the beauty of natural Cherry wood.

Because this process features distressing, the detail and look will vary from piece to piece

As a final step, a matte sheen, Suede MasterCoat™ topcoat is applied that softens the overall color tone, giving a more subtle and sophisticated appearance to cabinetry.

Finish availability may vary by door style. See Finish Availability Chart

Available on select Cherry door styles. Visible knots and pinholes are natural characteristics found in Cherry wood, which accentuate the Vintage finish process. These characteristics are **not** considered to be product defects.

Maple or other materials may be used in other cabinet components and accessories to help eliminate the appearance of knots and pinholes in pieces where the Vintage process is **not** applied

- Vintage Canvas Suede

Creamy white painted finish with the Vintage technique applied and a matte topcoat that softens the color tone

- E42C Cherry

- Vintage Dove White Suede

White painted finish with the Vintage technique applied and a matte topcoat that softens the color tone

- E44C Cherry

- Vintage Greyloft Suede

Warm, midtone grey painted finish with the Vintage technique applied and a matte topcoat that softens the color tone

- E45C Cherry

- Vintage Linen Suede

Khaki colored, light neutral painted finish with the Vintage technique and a matte topcoat that softens the color tone

- E46C Cherry

- Vintage Midnight Suede

Rich, dark blue painted finish with the Vintage technique applied and a matte topcoat that softens the color tone

- E47C Cherry

- Vintage Moonshine Suede

Very light and soft, grey neutral painted finish with the vintage technique and a matte topcoat that softens the color tone

- E48C Cherry

- Vintage Onyx Suede

Black painted finish with the Vintage technique applied and a matte topcoat that softens the color tone

- E50C Cherry

- Vintage Pebble Grey Suede

Cool, light grey painted finish with the Vintage technique applied and a matte topcoat that softens the color tone

- E51C Cherry

Premium Aged Paint Finishes

Aged Paint Finish Process

Our Aged technique evokes the look of artisan-finished cabinetry that has been well loved over time.

Distressing effects are hand applied artisan methods that are random and inconsistent in appearance. Because every detail is hand applied, each finished component will have a unique appearance. The effects include edge rasping, worm holes, edge burnishing, softened corners and edges, random dent patterns and a suede topcoat.

The multi-step process begins with a light, artistic, over sanding technique applied to corners, edges and relief areas of doors and drawers. Panels and profiles of unfinished doors and drawer fronts receive randomly applied worm holing, edge rasping and distressing techniques.

Following the distressing techniques, paint is applied followed by application of a glaze finish to the entire door or drawer front to add richness to the paint color. The glaze is then hand wiped to create soft, light "hang up" in profiles and recesses of the wood including the distressing effects. Additional glaze is applied through a dry-brushing process to give each door or drawer component a subtle linear accent. A dark burnishing material is then used to accent the softened corners and edges. Finally, fly speck is applied randomly to the door or drawer to add depth and dimension to the finish.

As a final step a matte sheen, Suede MasterCoat™ topcoat, is applied to complete the Aged finish.

Note: The back side of doors receive paint and flood glaze. The remaining treatments, including additional glazing, fly speck and dry brushing, will **not** be applied to the back side resulting in a lighter color than the front side of the door and frame.

Note: Laminate components such as VSK, VPL, MTK8, etc. are not available with Aged Finishes. Corresponding wood veneer components such as WSK, WPL, WMTK8, etc. must be ordered to receive the matching aged finish.



Please **Note:** Select cabinets that have matching interior standard and End Panels with a front filler attached will contain the code "-A-APFC" on order acknowledgments. The code is used as an internal safeguard to ensure proper finished parts are used in the cabinet construction and does not assign additional charges to the cabinet price.



Product Attributes:
Ends will **not** have a matching finish unless specified
Standard construction will have natural birch laminate ends

Plywood Ends Both (PEB) and All Plywood Construction (AP/APC) will have wood veneer ends with natural clear coat

To get finished ends without matching interior, use:

Furniture Plywood Ends (FPEB)
All Plywood Furniture End Panels (APFC)
Integrated Decorative Ends (DE)
Operational Ends (OE)
Wood Skins (WSK), Wood Skins are field-applied

To get finished ends with matching interior:

Use Matching Interior with 3/4" Furniture End Panels on All Plywood (MIAPFC)

MIAPFC will finish the interior and exterior of the cabinet. Cabinets **cannot** be ordered with matching interior and unfinished exterior ends

Options that are **NOT** available for this finish:

Matching Interior Standard Construction- (MIV)
Matching Interior with 1/2" Plywood End Panels (MIP)
Matching Interior with 3/4" Furniture Plywood End Panels (MIFP)

- Aged Concrete

Soft grey neutral painted finish with grey glaze and the Aged technique applied

- **E06M** Maple

- Aged Papyrus

Off-white painted finish with grey-brown glaze and the Aged technique applied

- **E05M** Maple

- Aged River Rock

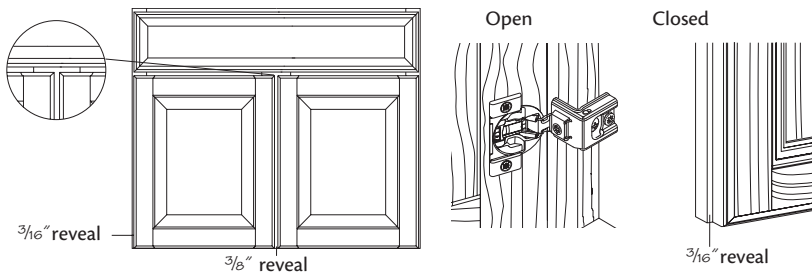
Cool grey painted finish with grey glaze and the Aged technique applied

- **E07M** Maple

Notes

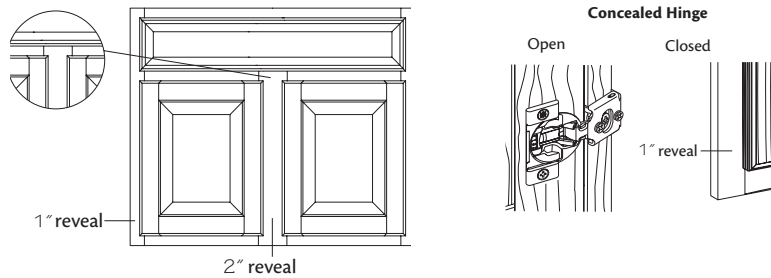
Material dimensions listed may vary slightly from actual dimensions of the product

Full Overlay–Concealed Hinges



- Full overlay doors leave $\frac{3}{8}$ " of the cabinet's face frame exposed between doors
- Whisper Touch™ hinge features an integrated mechanism that closes doors softly and quietly and is adjustable six ways for perfect alignment
- Soft-close hinge features an integrated mechanism that closes doors softly and quietly and is adjustable six ways for perfect alignment
- The reveals shown here may vary slightly on some cabinets due to actual door/drawer front sizes used. Refer to the replacement door and drawer section for actual door/drawer sizes for specific cabinets
- **Note:** Door styles with square outside edges (including aluminum frame decorative doors) **cannot** be opened simultaneously on adjacent cabinets because the doors will rub together. This is a common occurrence due to the sizing of full overlay doors

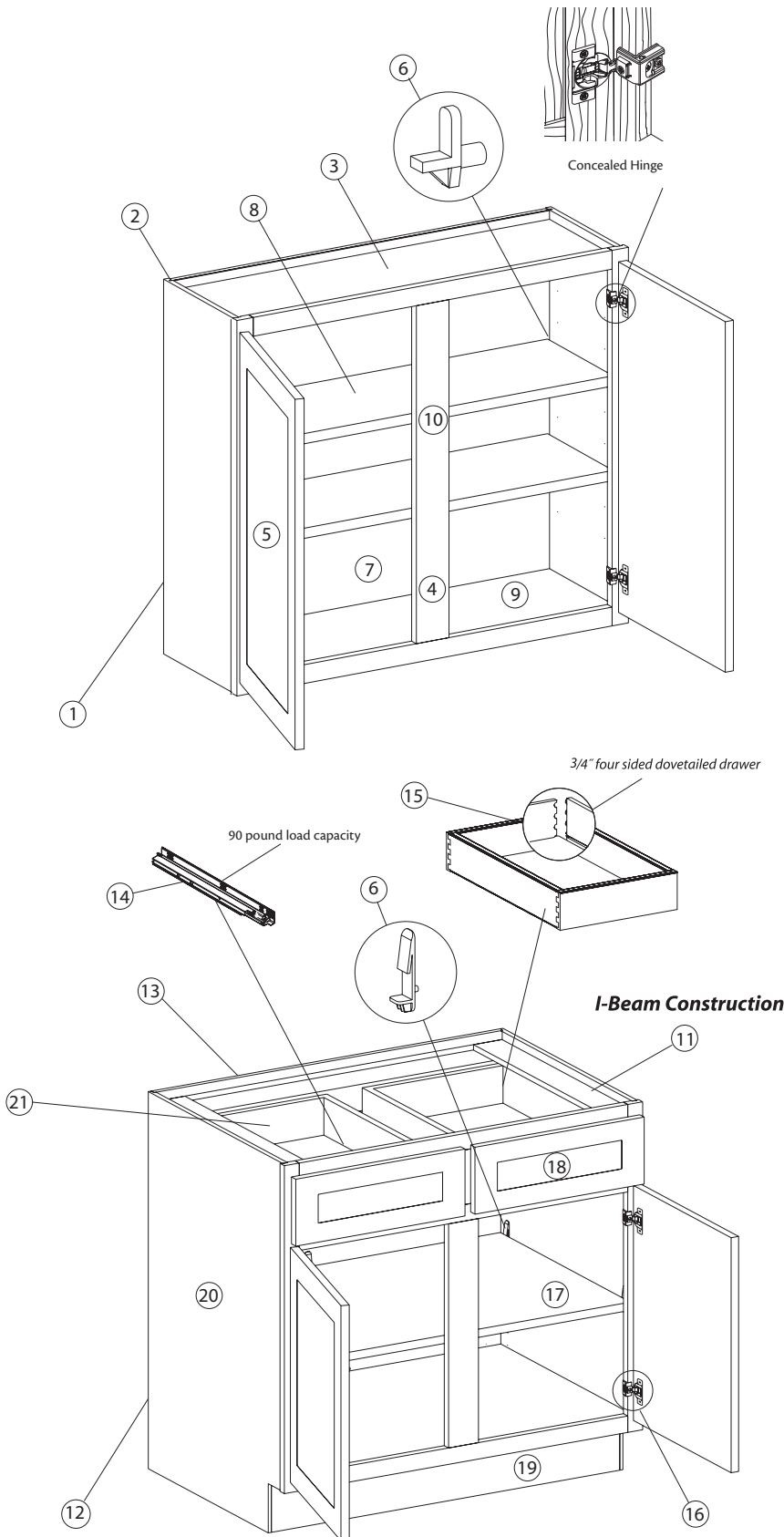
1/2" Overlay–Concealed Hinge



- 1/2" overlay doors leave 2" of the cabinet's face frame exposed between doors
- Soft-close hinge features an integrated mechanism that closes doors softly and quietly and is adjustable six ways for perfect alignment
- The reveals shown here may vary slightly on some cabinets due to actual door/drawer front sizes used. Refer to the replacement door and drawer section for actual door/drawer sizes for specific cabinets

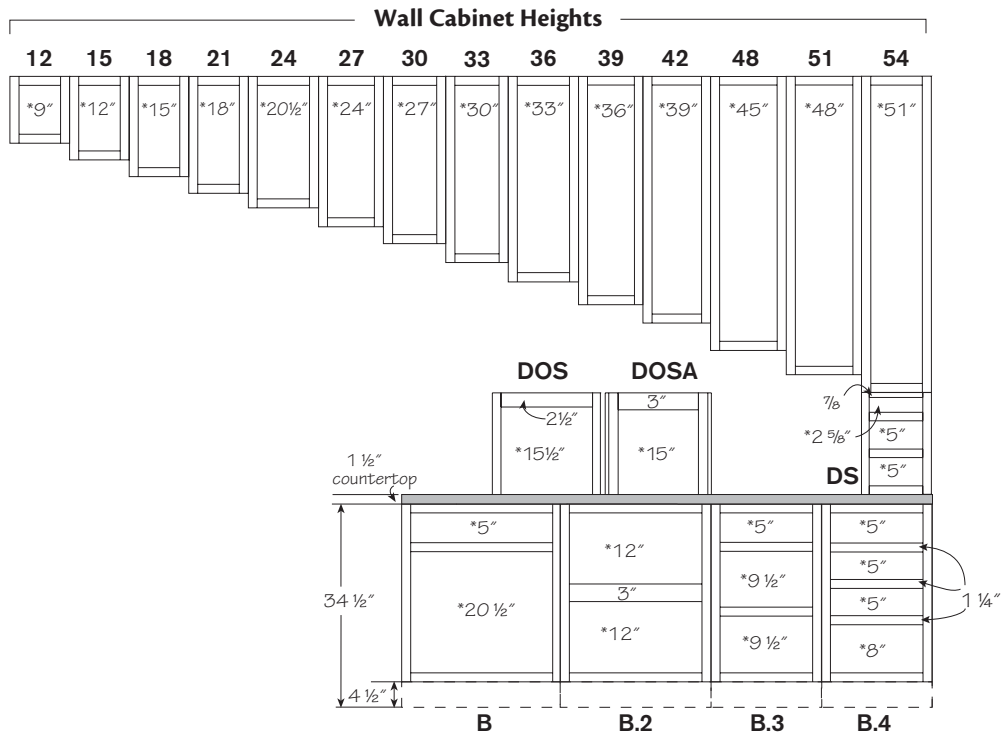
Cabinet Specifications

The **Masterpiece® Collection** is also available in an All Plywood (APC) Option. See *Construction Options* section for a complete description.



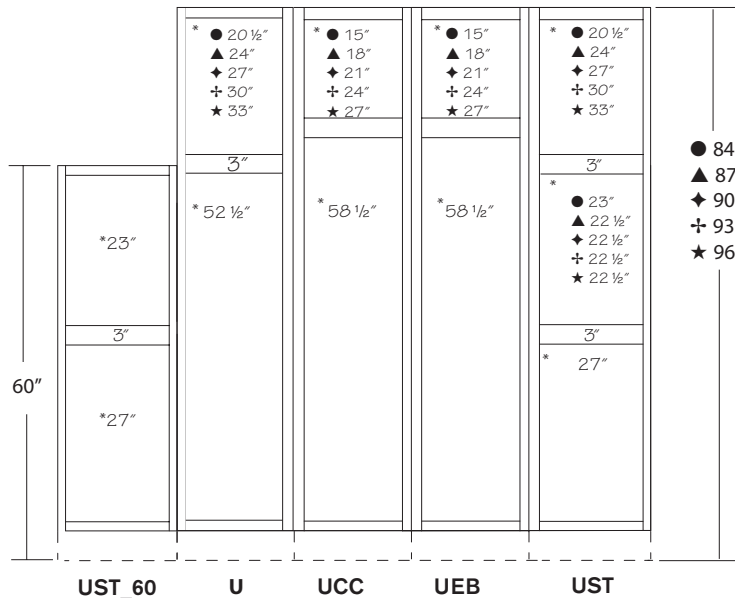
- (1) Laminate back panel
- (2) 1/2" wood concealed hanging rail
- (3) 1/2" Natural Birch laminate ceiling panel
- (4) 3/4" solid hardwood, including but not limited to, Alder, Cherry, Hickory, Maple and Oak front frame constructed using industrial grade glue and hardened steel fasteners. Front frame species complements selected door style
- (5) Extensive and unique door style and wood species selection in Alder, Cherry, EverCore™, Hickory, Maple and Oak. Solid and wood veneer construction available. Also available in Thermofoil, High-Gloss Foil and Wood-Grain Foil
- (6) Satin chrome shelf rests for all kitchen wall and furniture cabinets. Easily adjustable positive locking shelf clips for all base, tall and vanity cabinets
- (7) Natural Birch laminate interior
- (8) 3/4" fully adjustable Natural Birch laminate clad shelving standard feature in wall, base and tall cabinets
- (9) 1/2" Natural Birch laminate cabinet bottom
- (10) 14-step MasterCoat™ furniture process featuring hand-wiped stain with one of the finest wood finishes available in the cabinet industry
- (11) Full-depth I-beam braces provide stability and convenient anchor points for countertop
- (12) 3/8" Natural Birch laminate base back panel
- (13) 3/4" solid wood base installation rail
- (14) Standard drawer runner suspension system features smooth, ball bearing operation with a 90 lb. load capacity. Whisper Touch™ runner has an integrated drawer buffer that engages two inches from closing and applies resistance, giving a soft, controlled closing
- (15) 3/4" full-depth solid wood dovetailed drawer featuring four sided construction and 3/16" plywood bottom
- (16) Self-closing, concealed, wrap-around adjustable hinges
- (17) Full-depth, fully adjustable 3/4" Natural Birch laminate shelving
- (18) Drawer heads are solid hardwood or laminate to complement each door style
- (19) Fully closed toe space area
- (20) 1/2" end panels with wood grain laminate interior and matching exterior. Also available with optional 1/2" or 3/4" plywood end panels. Wood grain laminate interior or wood veneer interior available. Unless noted, plain sawn end panels will be supplied for quartersawn door styles
- (21) Standard drawer boxes are 4" high
- **Note:** Unless noted, cabinet depth does **not** include doors or drawer fronts
- **Note:** Please contact Customer Care if your design requires verification of product specifications

Wall and Base Frame Dimensions



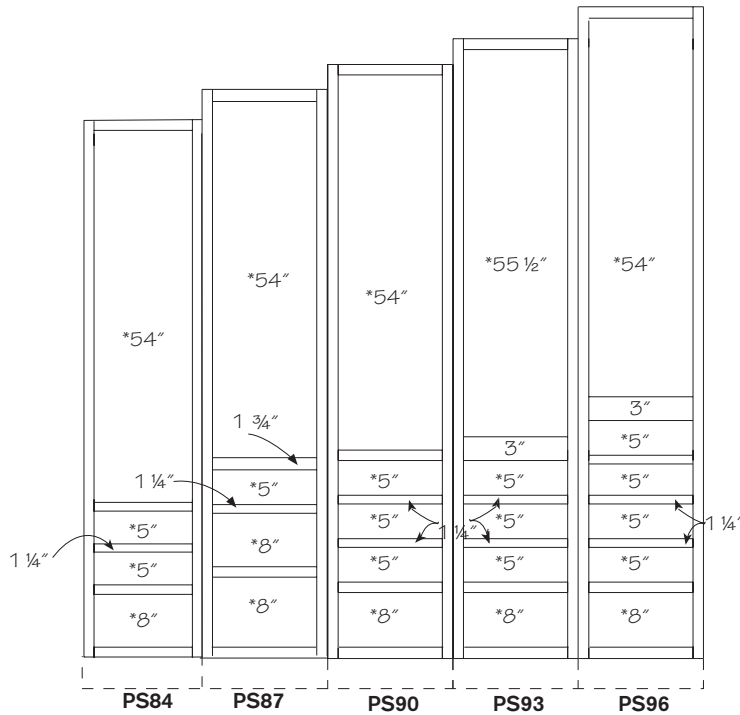
- Unless otherwise noted, all stiles and rails are 1 1/2"
- 3" vertical stiles divide double door cabinets over 36" wide
- Unless noted, oven cabinets have 3" vertical stiles
- Opening sizes are preceded by an asterisk (*)
- Toe kick depth is 3 1/8"
- Drawer fronts will not align with one another when using 3 drawer and 4 drawer stack cabinets side-by-side
- **Note:** Unless noted, cabinet depth does **not** include doors or drawer fronts

Utility Cabinet Frame Dimensions



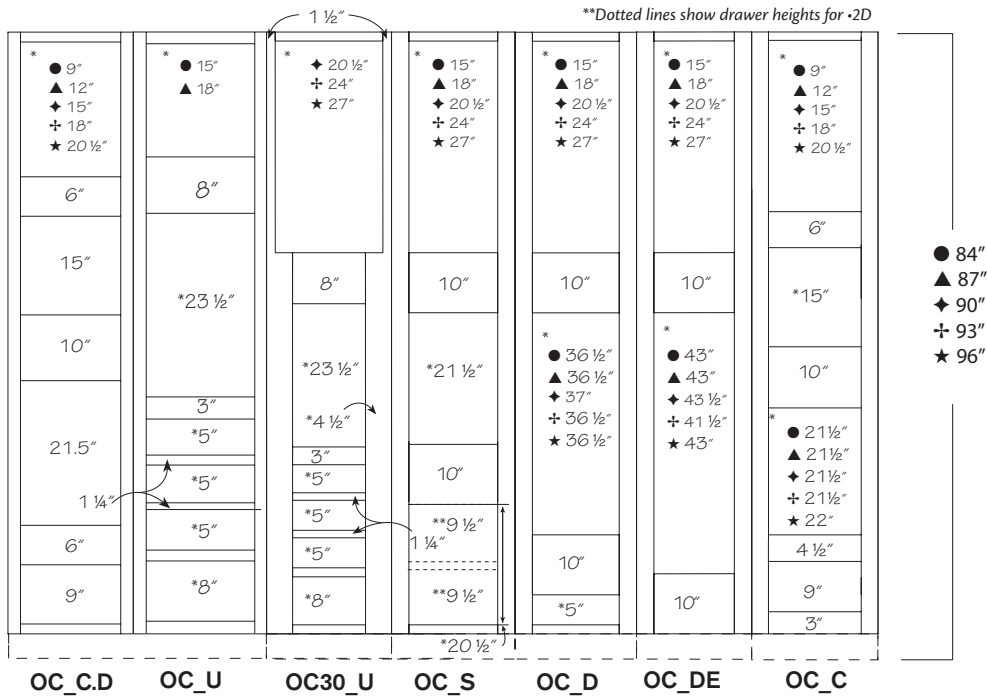
- Unless otherwise noted, all stiles and rails are 1 1/2"
- 3" vertical stiles divide double door cabinets over 36" wide
- Unless noted, oven cabinets have 3" vertical stiles
- Opening sizes are preceded by an asterisk (*)
- Toe kick depth is 3 1/8"
- Drawer fronts will not align with one another when using 3 drawer and 4 drawer stack cabinets side-by-side
- **Note:** Unless noted, cabinet depth does **not** include doors or drawer fronts

Pantry Storage Cabinet Frame Dimensions



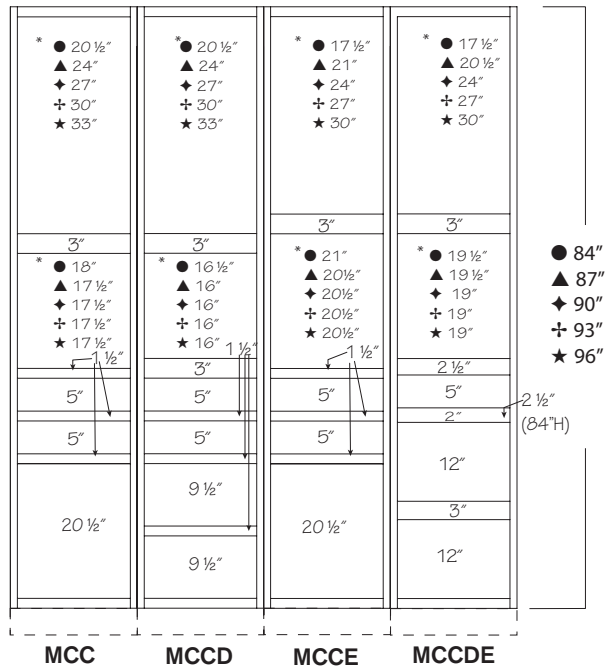
- Unless otherwise noted, all stiles and rails are 1 1/2"
- 3" vertical stiles divide double door cabinets over 36" wide
- Unless noted, oven cabinets have 3" vertical stiles
- Opening sizes are preceded by an asterisk (*)
- Toe kick depth is 3 1/8"
- Drawer fronts will not align with one another when using 3 drawer and 4 drawer stack cabinets side-by-side
- **Note:** Unless noted, cabinet depth does **not** include doors or drawer fronts

Oven Cabinet Frame Dimensions



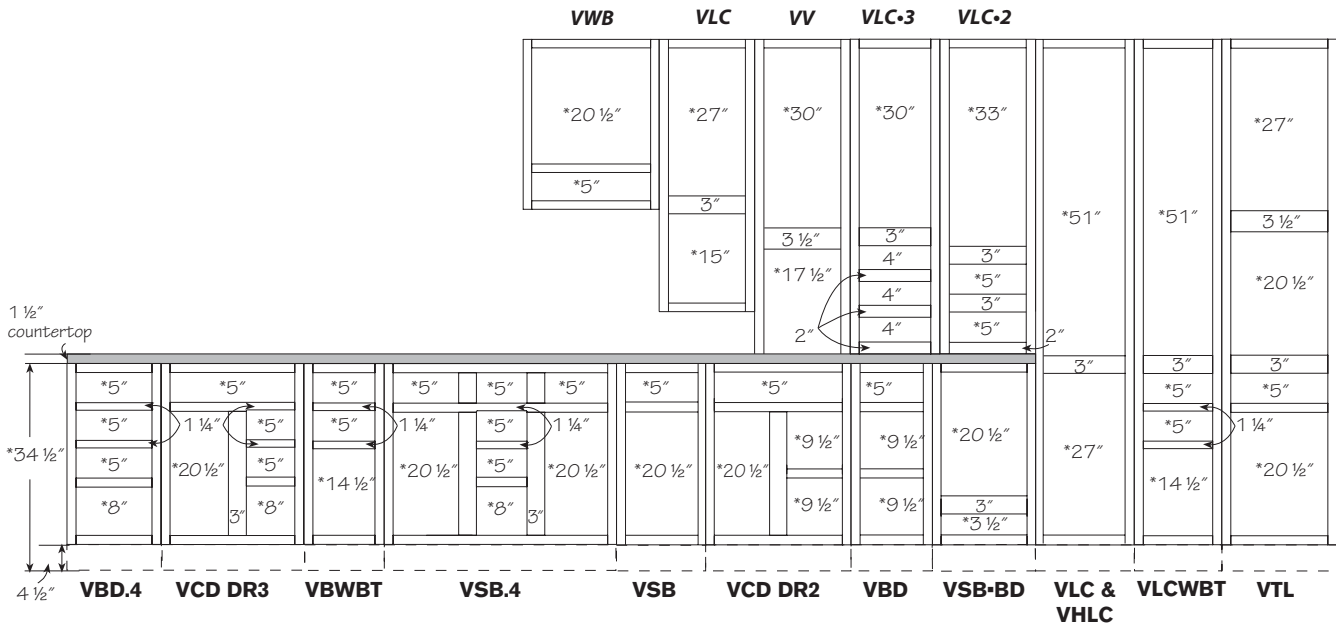
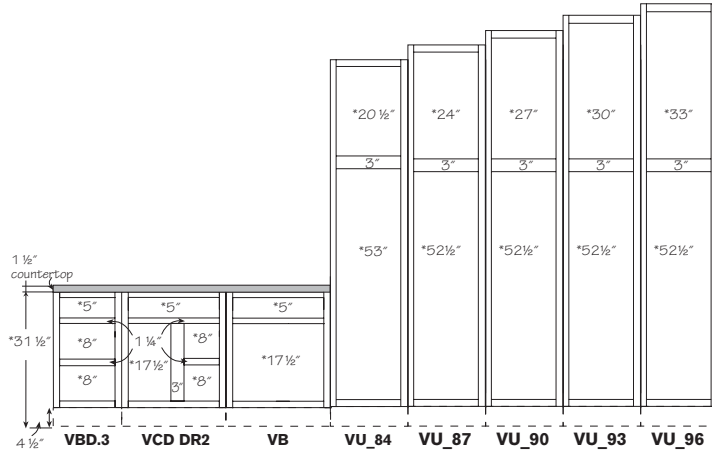
- Unless otherwise noted, all stiles and rails are 1 1/2"
- 3" vertical stiles divide double door cabinets over 36" wide
- Unless noted, oven cabinets have 3" vertical stiles
- Opening sizes are preceded by an asterisk (*)
- Toe kick depth is 3 1/8"
- Drawer fronts will not align with one another when using 3 drawer and 4 drawer stack cabinets side-by-side
- **Note:** Unless noted, cabinet depth does **not** include doors or drawer fronts

Microwave Cabinet Frame Dimensions



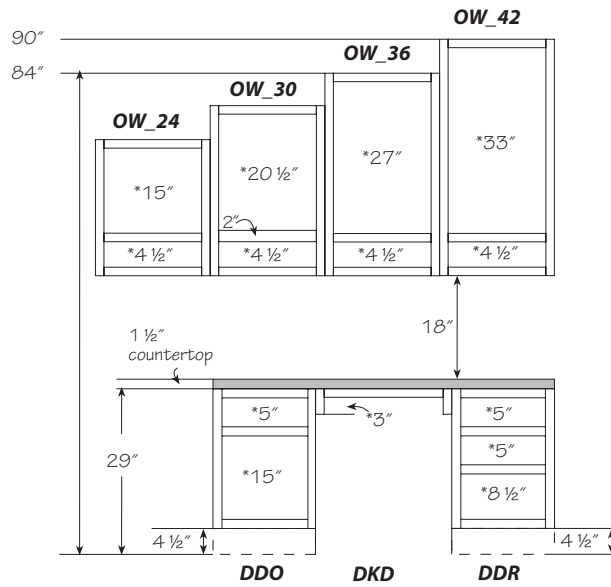
- Unless otherwise noted, all stiles and rails are 1 1/2"
- 3" vertical stiles divide double door cabinets over 36" wide
- Unless noted, oven cabinets have 3" vertical stiles
- Opening sizes are preceded by an asterisk (*)
- Toe kick depth is 3 1/8"
- Drawer fronts will not align with one another when using 3 drawer and 4 drawer stack cabinets side-by-side
- **Note:** Unless noted, cabinet depth does *not* include doors or drawer fronts

Vanity Frame Dimensions



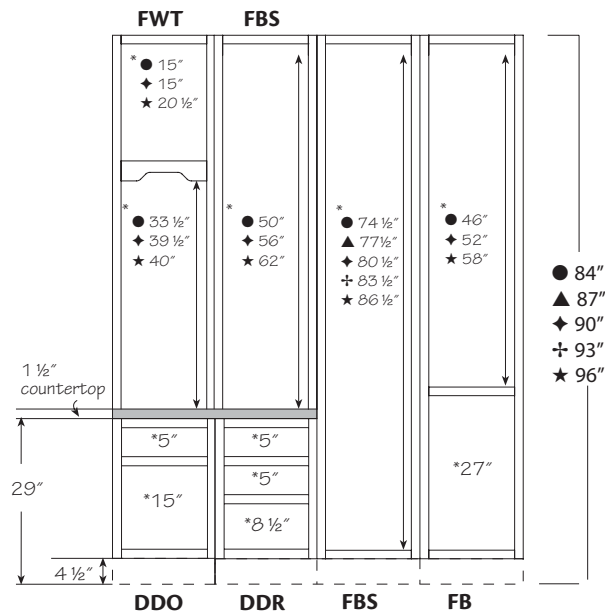
- Unless otherwise noted, all stiles and rails are 1 1/2"
- 3" vertical stiles divide double door cabinets over 36" wide
- Opening sizes are preceded by an asterisk (*)
- Toe kick depth is 3 1/8"
- Drawer fronts will not align with one another when using 3 drawer and 4 drawer stack cabinets side-by-side
- **Note:** Unless noted, cabinet depth does *not* include doors or drawer fronts

Office Frame Dimensions



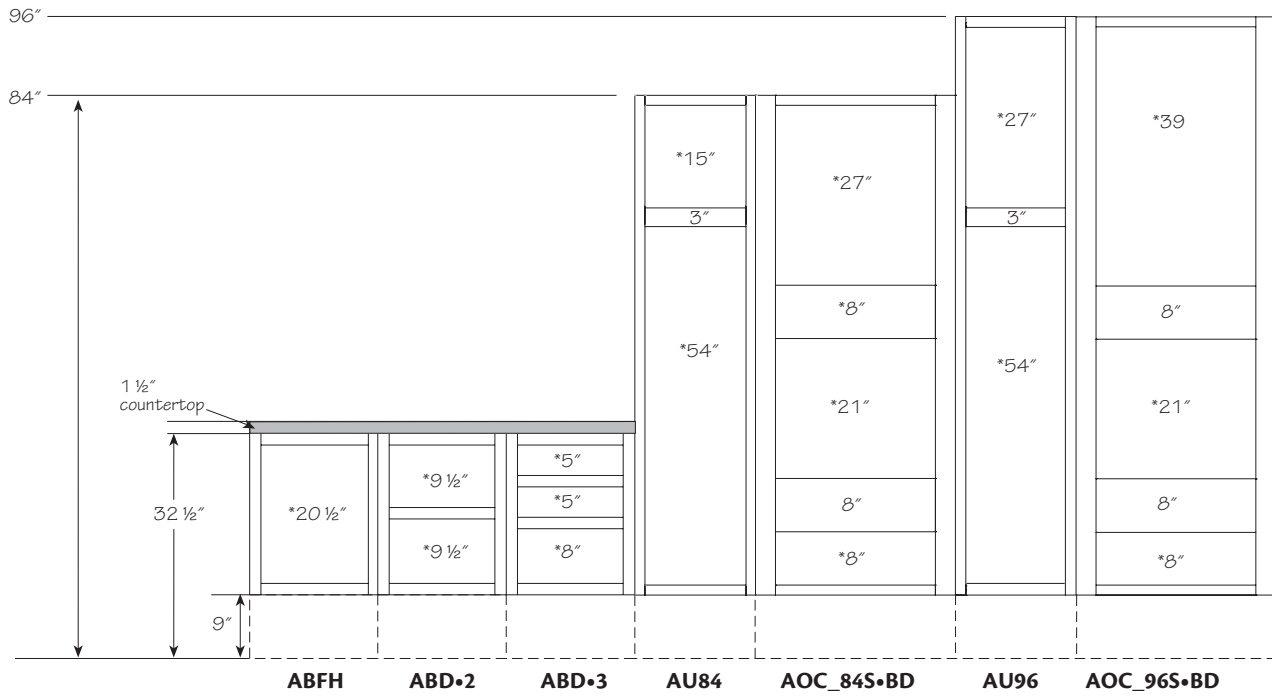
- Unless otherwise noted, all stiles and rails are 1 1/2"
- 3" vertical stiles divide double door cabinets over 36" wide
- Opening sizes are preceded by an asterisk (*)
- Toe kick depth is 3 1/8"
- **Note:** Unless noted, cabinet depth does **not** include doors or drawer fronts

Furniture Desk Frame Dimensions



- Unless otherwise noted, all stiles and rails are 1 1/2"
- 3" vertical stiles divide double door cabinets over 36" wide
- Unless noted, oven cabinets have 3" vertical stiles
- Opening sizes are preceded by an asterisk (*)
- Toe kick depth is 3 1/8"
- Drawer fronts will not align with one another when using 3 drawer and 4 drawer stack cabinets side-by-side
- **Note:** Unless noted, cabinet depth does **not** include doors or drawer fronts

Universal Access Frame Dimensions



- Unless otherwise noted, all stiles and rails are 1 1/2"
- 3" vertical stiles divide double door cabinets over 36" wide
- Opening sizes are preceded by an asterisk (*)
- Unless noted, oven cabinets have 3" vertical stiles
- Toe kick depth is 6"
- **Note:** Unless noted, cabinet depth does *not* include doors or drawer fronts

Construction Options

Construction Options and Modifications

- ❖ Included as standard
- Available with an upcharge
- ☆ Available with exceptions
- (Blank) **Not** available

Use the option availability chart at the right of each item to determine which construction options are available for your desired cabinet.

Material dimensions listed may vary slightly from actual dimensions of the product.

Specification subject to change without notice.

Masco Cabinetry Utilizes Some of the Best Materials Available to Build the Highest Quality Cabinets.

We continuously strive to provide products of the highest quality for all rooms of the home. In order to fulfill our commitment to quality, you may see some material changes in some of the plywood components that we use. The material changes will help reduce warping, expansion and contraction within the parts.

What Is In Some Of Our Plywood?

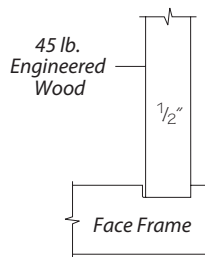
Multiple layers of wood materials, including wood veneers and medium density fiberboard (MDF), are used to create a hybrid product containing the following benefits:

- **Improved Strength and Finish Quality:** Reduces expansion or contraction, which is better for a smooth, quality finish. This process also produces a more rigid product.
- **Environmentally Friendly:** Supports CARB II standards. (CARB, or California Air Resource Board, is a control measure for reduced formaldehyde emissions from composite wood products).

Regardless of the wood material used in the various applications of our All Plywood Construction, you can feel confident that Masco Cabinetry always uses some of the highest quality materials available to help ensure durable and long-lasting cabinets.

Note: According to the Department of Commerce, the core of hardwood and decorative plywood consists of a layer or layers of one or more material(s) that are situated between the face and back veneers. The core may be composed of a range of materials, including but **not** limited to veneers, particleboard, engineered wood and medium density fiberboard (MDF).

PE	Plywood Ends
APC	All Plywood Construction
APFC	All Plywood Furniture Construction
FPEB	Furniture Plywood Ends
MI	Matching Interior
DE	Integrated Decorative End
OE	Operational End
AD_E	Attached Decorative End
CW	Change Width
RD	Reduced Depth
ID	Increased Depth
CH	Change Height
IF	Inverted Frame
TWR	Top Wide Rail
WR	Wide Bottom Rail
XS	Extended Stile
XSG	Integrated Extended Stile
GD	Glass Doors
RTK	Recessed Toe Kick
RTKP	Recessed Toe Kick Peninsula
TKD	Toe Kick Drawer



Standard Construction



Not all cabinets use Standard Construction, i.e. Wall Angle 27, Open and Furniture cabinets. Consult individual items for detailed information

PE	CH
APC	IF
APFC	TWR
FPEB	WR
MI	XS
DE	XSG
OE	GD
AD_E	RTK
CW	RTKP
RD	TKD
ID	

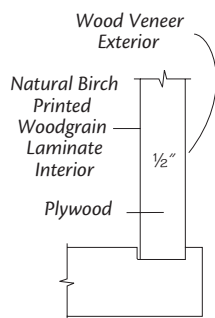
	Construction	Finish
Face Frame	3/4" x 1 1/2" Solid Hardwood	Exterior - To match door Interior - Unfinished
End Panels	1/2" 45 lb Engineered Wood	Exterior - Printed Woodgrain Laminate to match door Interior - Natural Birch Printed Woodgrain Laminate
Ceilings & Floors	1/2" 45 lb Engineered Wood	Exterior - Natural Birch Printed Woodgrain Laminate Interior - Natural Birch Printed Woodgrain Laminate
Shelves	3/4" 45 lb Engineered Wood	Natural Birch Printed Woodgrain Laminate with PVC Edgeband on Front Edge
Wall Backs	1/8" 45 lb Engineered Wood	Exterior - Unfinished Interior - Natural Birch Printed Woodgrain Laminate
Wall Hanging Rails	1/2" Solid Wood	Unfinished
Base & Tall Backs	3/8" 45 lb Engineered Wood	Exterior - Unfinished Interior - Natural Birch Printed Woodgrain Laminate
Base Hanging Rails	3/4" Solid Wood	Unfinished
Base Braces	I-Beam 1/2" 45 lb Engineered Wood	Unfinished
Shelf Clips	Wall - Tall - Open & Furniture Base	Satin Chrome Shelf Rests Clear Positive Locking Shelf Clip

Note: Applies to Laminate Door Styles as well

Plywood Ends

- PE** Full Kitchens
- PEB** Individual Cabinets

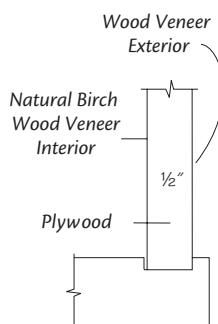
● PE	CH
APC	IF
APFC	TWR
FPEB	WR
MI	XS
DE	XSG
OE	GD
AD_E	RTK
CW	RTKP
RD	TKD
ID	



- This construction option affects end panels only
- Available for full or partial kitchen orders
- 1/2" plywood end panels are available for most cabinets
- Consult the Plywood Ends (PE) option box for your desired cabinet
- End panels only are 1/2" plywood with wood veneer exterior and Natural Birch printed wood grain laminate interior
- Shelves, ceilings and floors are engineered wood with printed wood grain laminate
- To order a full kitchen with Plywood Ends, use PE in the header of your order
- To order individual line items with Plywood Ends, dash each line item with PEB; Order Example: W3030-PEB
- Unless noted, plain sawn end panels will be supplied for quartersawn door styles
- Plywood End Panels do **not** receive glaze detailing
- Painted hardwood supplied for EverCore™

All Plywood Construction with 1/2" End Panels

- APC** Full Kitchens
- AP** Individual Cabinets

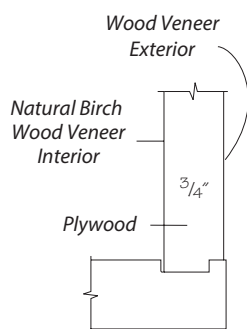


- This construction option is available for full or partial kitchen orders
- All Plywood Construction (APC) option with 1/2" End Panels is available for most cabinets
- Consult All Plywood Construction (APC) option box for your desired cabinet construction
- This All Plywood option features:
 - Unless noted, plain sawn end panels will be supplied for quartersawn door styles
 - Plywood End Panels do **not** receive glaze detailing
 - To order individual line items with All Plywood Construction you **must** place those items on a separate order with APC in the header
- **Note:** To get All Plywood Construction with 3/4" (Furniture) Plywood Ends use APFC with APC. Order Example W3030BUTT-APFC, B12L-APFC (Refer to the APFC section for additional details on this option)
- **Note:** To get All Plywood Construction on individual cabinets, each line **must** be dashed with AP. Order Example: W3030-AP
- **Note:** To get All Plywood Construction with Matching Interior on individual cabinets use MIP. Order Example W3030BUTT-MIP, B12L-MIP (Refer to the MIP section for additional details on this option)
- **Note:** To get All Plywood Construction with 3/4" (Furniture) Plywood Ends and Matching Interior on individual cabinets use MIAPFC. Order Example W3030BUTT-MIAPFC, B12L-MIAPFC (Refer to the MIAPFC section for additional details on this option)

PE	CH
● APC	IF
APFC	TWR
FPEB	WR
MI	XS
DE	XSG
OE	GD
AD_E	RTK
CW	RTKP
RD	TKD
ID	

All Plywood Construction with 3/4" (Furniture) End Panels

- APFC** Individual Cabinets

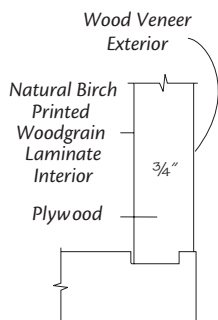


- This construction option affects end panels only
- An All Plywood Construction with 3/4" (Furniture) End Panels option is available for most cabinets
- Consult All Plywood Furniture Construction option box (APFC) for your desired cabinet
- This All Plywood option features:
 - Unless noted, plain sawn end panels will be supplied for quartersawn door styles
 - Plywood End Panels do **not** receive glaze detailing
 - Painted hardwood supplied for EverCore™
- **Note:** To get All Plywood Construction with 3/4" (Furniture) Plywood Ends on individual cabinets use APFC. Order Example W3030BUTT-APFC, B12L-APFC

PE	CH
APC	IF
● APFC	TWR
FPEB	WR
MI	XS
DE	XSG
OE	GD
AD_E	RTK
CW	RTKP
RD	TKD
ID	

Furniture Plywood Ends

- FPEB** Individual Cabinets

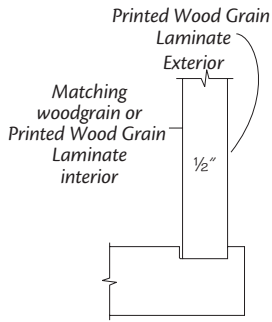


- This construction option affects end panels only
- 3/4" Furniture Plywood End (FPEB) panels are available for most cabinets
- Consult Furniture Plywood Ends (FPEB) option box for your desired cabinet
- End panels only are 3/4" plywood with wood veneer exterior and Natural Birch printed wood grain laminate interior
- Shelves, ceilings and floors are engineered wood with printed wood grain laminate
- To order individual line items with Furniture Plywood Ends, dash each line item with FPEB; Order Example: W3030-FPEB, WEP3-30L-FPEB
- Unless noted, plain sawn end panels will be supplied for quartersawn door styles
- Plywood End Panels do **not** receive glaze detailing
- Painted hardwood supplied for EverCore™
- **Note:** To get All Plywood Construction with 3/4" (Furniture) Plywood Ends use APFC with APC. Order Example W3030BUTT-APFC, B12L-APFC (Refer to the APFC section for additional details on this option)

PE	CH
APC	IF
APFC	TWR
● FPEB	WR
MI	XS
DE	XSG
OE	GD
AD_E	RTK
CW	RTKP
RD	TKD
ID	

Matching Interior Standard Construction—Printed Woodgrain Laminate

MIV Individual Cabinets

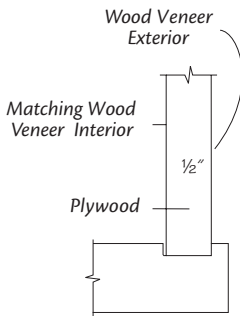


- A Matching Interior option is recommended for all cabinets having glass doors
- Consult Matching Interior (MI) option box for availability for your desired cabinet
- If an item shows MI as standard in the option boxes, the matching interior material will be printed woodgrain laminate unless that item's standard construction is All Plywood (APC), Wood Veneer or Furniture Plywood Ends (FPEB, APFC). This includes cabinets ordered as unfinished
- Inside of face frame is unfinished
- This option includes:
- You **must** use MIP, MIFP or MIAPFC to get a wood veneer matching interior
- Unless noted, plain sawn end panels will be supplied for quartersawn door styles
- Painted hardwood supplied for EverCore™
- This option is **not** available with Attached Decorative Ends (AD_E)

PE	CH
APC	IF
APFC	TWR
FPEB	WR
● MI	XS
DE	XSG
OE	GD
AD_E	RTK
CW	RTKP
RD	TKD
ID	

Matching Interior with 1/2" Plywood End Panels

MIP Individual Cabinets

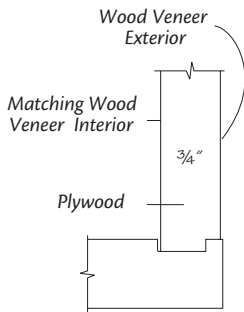


- A Matching Interior Plywood option is available for individual items in a kitchen
- A Matching Interior option is recommended for all cabinets having glass doors
- Consult Matching Interior (MI) option box for availability for your desired cabinet
- Inside of face frame is unfinished
- This option includes:
- To order individual line items with Matching Interior you **must** have each line item dashed with the appropriate codes MIP (Order Example: W3030-MIP, WEP3•30L-MIP)
- Unless noted, plain sawn end panels will be supplied for quartersawn door styles
- Painted hardwood supplied for EverCore™
- This option is **not** available with Attached Decorative Ends (AD_E)
- **Note:** To get Matching Interior Furniture Plywood Ends with All Plywood Construction use MIAPFC

PE	CH
APC	IF
APFC	TWR
FPEB	WR
● MI	XS
DE	XSG
OE	GD
AD_E	RTK
CW	RTKP
RD	TKD
ID	

Matching Interior with 3/4" (Furniture) End Panels on All Plywood (APC) Orders

MIAPFC Individual Cabinets

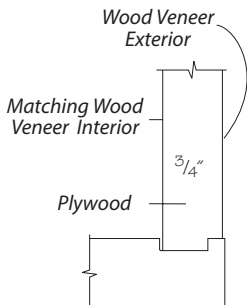


- A Matching Interior All Plywood Furniture option is available for individual items in a kitchen
- A Matching Interior option is recommended for all cabinets having glass doors
- Consult Matching Interior (MI) option box for availability for your desired cabinet
- Inside of face frame is unfinished
- This option includes:
- To order a full kitchen with Matching Interior (MI), you **must** have each line item dashed with MIAPFC.
Order Example: W3030-MIAPFC, WEP3•30L-MIAPFC
- Unless noted, plain sawn end panels will be supplied for quartersawn door styles
- Painted hardwood supplied for EverCore™

PE	CH
APC	IF
APFC	TWR
FPEB	WR
● MI	XS
DE	XSG
OE	GD
AD_E	RTK
CW	RTKP
RD	TKD
ID	

Matching Interior with 3/4" Furniture Plywood End Panels

MIFP Individual Cabinets



- A Matching Interior Furniture Plywood option is available for individual items in a kitchen
- A Matching Interior option is recommended for all cabinets having glass doors
- Consult Matching Interior (MI) option box for availability for your desired cabinet
- Inside of face frame is unfinished
- This option includes:
- To order individual line items with matching interior you **must** have each line item dashed with MIFP
Order Example: W3030BUTT-MIFP, WEP3•30L-MIFP
- Unless noted, plain sawn end panels will be supplied for quartersawn door styles
- Painted hardwood supplied for EverCore™
- **Note:** To get Matching Interior Furniture Plywood Ends with All Plywood Construction use MIAPFC

PE	CH
APC	IF
APFC	TWR
FPEB	WR
● MI	XS
DE	XSG
OE	GD
AD_E	RTK
CW	RTKP
RD	TKD
ID	

Wood Veneer Construction

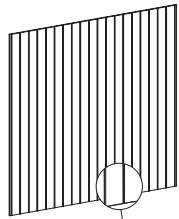
- Masterpiece offers certain cabinets with Wood Veneer Construction standard. Depending on the item, this may consist of a solid hardwood, plywood or engineered wood core that has solid wood veneer on both sides and is finished to match

Ordering Specifications for Plywood Options

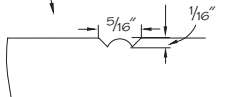
	Entire Kitchen	Individual Cabinets
Plywood Ends	<p>PE Use PE in the header of your written order. Every cabinet on this order will receive PE. Use Styles & Pricing in 20-20 to choose PE.</p>	<p>PEB (Plywood Ends Both) Each line item must be dashed with PEB. Order Example: W3030-PEB. In 20-20, use Attachments to apply PEB to each cabinet.</p>
	with Matching Interior	
	<p>Matching Interior nomenclature is only available for individual cabinets. There is no nomenclature to order a full kitchen with Matching Interior Plywood. See individual cabinet instructions.</p>	<p>MIP (Matching Interior Plywood) Each line item must be dashed with MIP. Order Example: W3030-MIP. In 20-20, use Attachments to apply MIP to each cabinet.</p>
Furniture Ends	<p>Furniture Ends nomenclature is only available for individual cabinets. There is no nomenclature to order a full kitchen with Furniture Ends. See individual cabinet instructions.</p>	<p>FPEB (Furniture Plywood Ends Both) Each line item must be dashed with FPEB. Order Example: W3030-FPEB. In 20-20, use Attachments to apply FPEB to each cabinet.</p>
	with Matching Interior	
	<p>Matching Interior nomenclature is only available for individual cabinets. There is no nomenclature to order a full kitchen with Matching Interior Furniture Plywood. See individual cabinet instructions.</p>	<p>MIFP (Matching Interior Furniture Plywood) Each line item must be dashed with MIFP. Order Example: W3030-MIFP. In 20-20, use Attachments to apply MIFP to each cabinet.</p>
All Plywood Construction	<p>APC Use APC in the header of your written order. Every cabinet on this order will receive APC. Use Styles & Pricing in 20-20 to choose APC.</p>	<p>AP (All Plywood) Each line item must be dashed with AP. Order Example: W3030-AP. In 20-20, use Add-ons to apply AP to each cabinet.</p>
	with Matching Interior	
	<p>Matching Interior nomenclature is only available for individual cabinets. There is no nomenclature to order a full kitchen with Matching Interior All Plywood. See individual cabinet instructions.</p>	<p>MIP (Matching Interior Plywood) Each line item must be dashed with MIP. Order Example: W3030-MIP. In 20-20, use Attachments to apply MIP to each cabinet.</p>
All Plywood Construction with Furniture Ends	<p>All Plywood Construction with Furniture Ends nomenclature is only available for individual cabinets. There is no nomenclature to order a full kitchen with All Plywood Construction Furniture Ends. See individual cabinet instructions.</p>	<p>APFC (All Plywood Furniture Ends Both) Use APC in the header of your written order and each line item must be dashed with APFC. Order Example: W3030-APFC. In 20-20, use Styles & Pricing to choose APC, then use Attachments to apply APFC to each cabinet.</p>
	with Matching Interior	
	<p>Matching Interior nomenclature is only available for individual cabinets. There is no nomenclature to order a full kitchen with Matching Interior Furniture All Plywood. See individual cabinet instructions.</p>	<p>MIAPFC (Matching Interior All Plywood Furniture Ends) Use APC in the header of your written order and each line item must be dashed with MIAPFC. Order Example: W3030-MIAPFC. In 20-20, use Styles & Pricing to choose APC, then use Attachments to apply MIAPFC to each cabinet.</p>

Construction Option Comparison Chart

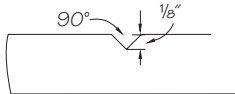
Feature	Description	Standard Construction	Plywood Ends	APC	FPEB	APFC
Face Frame	3/4" solid hardwood	●	●	●	●	●
End Panel Construction	1/2" 45 lb. engineered wood	●				
	1/2" plywood		●	●		
	3/4" plywood				●	●
End Panel Finish	2 mil Woodgrain Laminate both sides	●				
	Matching Woodgrain Laminate interior (Open cabinets)	●	●			
	Matching wood veneer interior (Furniture cabinets and WA27)	●	●	●	●	●
	2 mil Woodgrain Laminate interior and wood veneer exterior		●		●	
	Birch wood veneer interior and matching wood veneer exterior			●		●
Floor and Tops	1/2" 45 lb. engineered wood	●	●		●	
	1/2" plywood			●		●
Wall Backs	1/8" engineered wood with 2 mil Woodgrain Laminate interior	●	●		●	
	3/16" matching wood veneer (Furniture and open cabinets)		●	●	●	●
	3/16" plywood with birch wood veneer			●		●
	3/8" V-groove wood veneer (Beaded frame country cabinets)	●	●	●	●	●
Base & Tall Back	3/8" 45 lb. engineered wood with 2 mil Viraguard interior	●	●		●	
	3/16" matching wood veneer (Furniture cabinets)	●	●	●	●	●
	3/8" V-groove wood (Beaded frame country cabinets)	●	●	●	●	●
	3/8" plywood with birch wood veneer			●		●
	1/8" engineered wood with 2 mil Woodgrain Laminate Interior (Easy Reach and Base Angle cabinets)	●	●		●	
	3/16" plywood with birch wood veneer (Easy Reach and Base Angle cabinets)			●		●
Hanging Rails	3/4" solid wood base rails and 1/2" solid wood wall rails	●	●	●	●	●
Toe Kicks	1/2" 45 lb. engineered wood recessed into end panels	●	●		●	
	1/2" plywood with birch wood veneer			●		●
Corner Blocks I-Beam Braces	1/2" engineered wood, MDF or plywood dadoed into face frame, end panels and back hanging rails	●	●	●	●	●
Shelves	3/4" 45 lb. Evercore™ Wood with 2 mil Woodgrain Laminate and vinyl edgeband. Fully adjustable	●	●		●	
	3/4" wood veneer with prefinished edgeband. Fully adjustable. (Furniture cabinets)	●	●		●	
	3/4" plywood with birch wood veneer and edgeband. Fully adjustable			●		●
Drawers	3/4" Hardwood four sided dovetail drawer box with 3/16" plywood floor	●	●	●	●	●
Drawer Runners	Full extension ball bearing undermount with 90 lb. load capacity, self-closing design and controlled closing mechanism	●	●	●	●	●
Hinges	Whisper Touch™ soft closing, quiet, six-way adjustable hinge or knife hinge	●	●	●	●	●
Shelf Clips	Clear positive locking design	●	●	●	●	●
	Satin chrome shelf rests (Kitchen wall, open and furniture cabinets)	●	●	●	●	●
Wood Finish	Premium topcoat finish	●	●	●	●	●
Wood Species		●	●	●	●	●
	Alder	●	●	●	●	●
	Cherry	●	●	●	●	●
	Evercore™	●	●	●	●	●
	Hickory	●	●	●	●	●
	High Gloss Laminate		●	●	●	●
	Laminate		●	●	●	●
	Maple	●	●	●	●	●
	Oak	●	●	●	●	●
Woodgrain Laminate		●	●	●	●	



BEB



VGRB



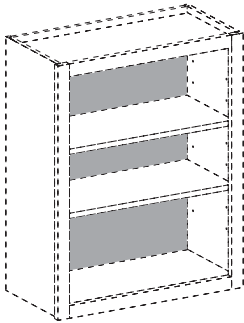
Back Option

- † **BEB** Beaded Back
- VGRB** V-groove Back
- † Painted hardwood supplied for EverCore™

- All Base, Wall and open Furniture cabinets may be ordered with an interior 3/8" wood V-Groove or Beaded Back option, unless noted
- **Not** available on cabinets ordered with an Integrated Decorative End (DE) or Operational End (OE) options
- **Not** available in Wood-Grain Foil door styles
- Order Example: WOC2430-VGRB

PE	CH
APC	IF
❖ APFC	TWR
FPEB	WR
❖ MI	XS
DE	XSG
OE	GD
AD_E	RTK
CW	RTKP
RD	TKD
ID	

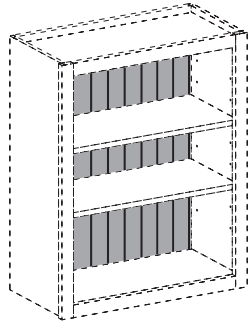
Contrasting Back Option—Plain Back



- CPLB .A21** Onyx Maple
- CPLB .A60** Autumn Blush Cherry
- CPLB .A77** Cinnamon Cherry
- CPLB .A78** Cinnamon Maple
- CPLB .A80** Chocolate Cherry
- CPLB .A88** Chestnut Maple
- CPLB .A90** Cognac Cherry
- CPLB .A92** Cognac Maple
- CPLB .A99** Canvas Maple
- CPLB .B04** Dove White Maple
- CPLB .B09** Ginger Cherry w/Sable Glaze
- CPLB .B11** Ginger Maple w/Sable Glaze
- CPLB .B13** Honey Spice Cherry
- CPLB .B15** Honey Spice Maple
- CPLB .B19** Kaffé Cherry
- CPLB .B28** Natural Cherry
- CPLB .B30** Natural Maple
- CPLB .B37** Peppercorn Cherry
- CPLB .B41** Praline Maple
- CPLB .B42** Sunset Cherry
- CPLB .B65M** Greyloft Maple
- CPLB .B69M** Midnight Maple
- CPLB .B81C** Saddle Cherry
- CPLB .B82C** Husk Cherry
- CPLB .B83M** Pebble Maple

- All Base, Wall and open Furniture cabinets may be ordered with an interior wood Contrasting Back Option unless noted (use the appropriate back option)
- Contrasting back material is Cherry or Maple only, depending on finish. Option is available in all door styles
- Order Example: WOC3030-CPLB-A70

PE	CH
APC	IF
❖ APFC	TWR
FPEB	WR
❖ MI	XS
DE	XSG
OE	GD
AD_E	RTK
CW	RTKP
RD	TKD
ID	



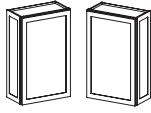
Contrasting Back Option—Beaded Back

CBEB .A15	Dove White w/Cocoa Glaze
CBEB .A21	Onyx Maple
CBEB .A45	Praline w/Onyx Glaze
CBEB .A48	Cinnamon Maple w/Onyx Glaze
CBEB .A49	Cinnamon Cherry w/Onyx Glaze
CBEB .A54	Chestnut Maple w/Onyx Glaze
CBEB .A56	Autumn Blush Cherry w/Onyx Glaze
CBEB .A60	Autumn Blush Cherry
CBEB .A77	Cinnamon Cherry
CBEB .A78	Cinnamon Maple
CBEB .A80	Chocolate Cherry
CBEB .A88	Chestnut Maple
CBEB .A90	Cognac Cherry
CBEB .A92	Cognac Maple
CBEB .A99	Canvas Maple
CBEB .B02	Antique Chocolate Cherry w/Mocha Glaze
CBEB .B04	Dove White Maple
CBEB .B05	Chocolate Cherry w/Ebony Glaze
CBEB .B09	Ginger Cherry w/Sable Glaze
CBEB .B11	Ginger Maple w/Sable Glaze
CBEB .B13	Honey Spice Cherry
CBEB .B15	Honey Spice Maple
CBEB .B19	Kaffé Cherry
CBEB .B28	Natural Cherry
CBEB .B30	Natural Maple
CBEB .B37	Peppercorn Cherry
CBEB .B41	Praline Maple
CBEB .B42	Sunset Cherry
CBEB .B56	Canvas Maple w/Cocoa Glaze
CBEB .B65M	Greyloft Maple
CBEB .B69M	Midnight Maple
CBEB .B81C	Saddle Cherry
CBEB .B82C	Husk Cherry
CBEB .B83M	Pebble Maple

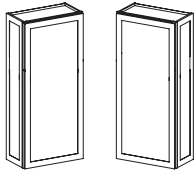
- All Base, Wall and open Furniture cabinets may be ordered with an interior 3/8" wood Contrasting Back Option unless noted (use the appropriate back option)
- Contrasting back material is Cherry or Maple only, depending on finish. Option is available in all door styles
- **Not** available on cabinets ordered with an Integrated Decorative End (DE) or Operational End (OE) options
- Order Example: WOC2430-CBEB•B04

PE	CH
APC	IF
❖ APFC	TWR
FPEB	WR
❖ MI	XS
DE	XSG
OE	GD
AD_E	RTK
CW	RTKP
RD	TKD
ID	

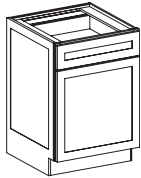
Integrated Decorative End



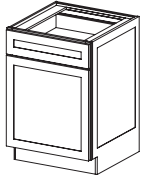
DWE.1



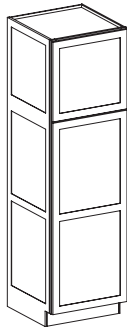
DWE.2



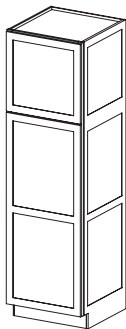
DBEL



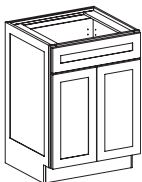
DBER



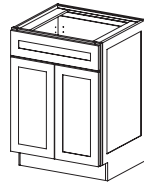
DTEL



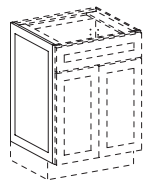
DTER



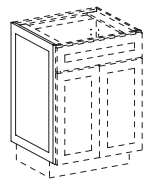
DVEL



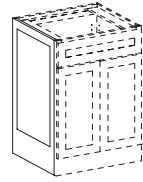
DVER



with VTK



with RTK



with WR

Base

DBE B 34 1/2" H & 40" H; 12" & 24" D

DBE R or L 34 1/2" H & 40" H; 12" & 24" D

Tall/Furniture Book Shelves

DTE B 60 1/2", 84", 87", 90", 93", & 96" H; 12", 18", 21" & 24" D

DTE R or L 60 1/2", 84", 87", 90", 93", & 96" H; 12", 18", 21" & 24" D

Vanity

DVE B 31 1/2" & 34 1/2" H; 18" & 21" D

DVE R or L 31 1/2" & 34 1/2" H; 18" & 21" D

Wall

DWE B.1 12" H - 33" H

DWE B.2 36" H - 54" H

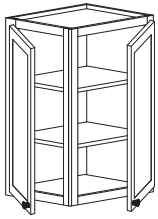
DWE R or L.1 12" H - 33" H

DWE R or L.2 36" H - 54" H

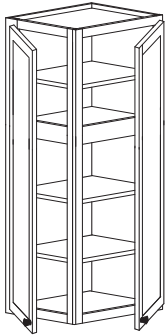
- Specify R or L
- Available in full overlay door styles only
- Available on select cabinets only
- The rail height on Integrated Decorative End will match rail height on the door
- The overall width of a cabinet will increase by 1/16", per end, when Integrated Decorative Ends are selected
- DWEB or any combination of Decorative Wall End and Wall Operational Ends (WOE) should only be used on Wall cabinets that are planned to be supported from underneath, placed on a floor, or placed on a countertop. Wall cabinets are **not** intended to be installed independently without additional support
- Toe kick notch will be standard construction with this option
- Veneer raised panel door styles will be supplied with a solid wood center panel machined to resemble the veneer center panel
- **Not** available in Thermofoil door styles
- **Not** available in slab door styles
- **Not** available in Wood-Grain Foil door styles
- Painted hardwood supplied for EverCore™
- **Not** available in Increased Depth (ID)
- **Not** available in Reduced Depth (RD)
- **Not** available with Wall Top Wide Rail (WTWR)
- **Not** available with Inverted Frame Option (IF)
- **Note:** When (DBE) is used in combination with Peninsula cabinets, the working front drawer will be eliminated and replaced with a false front
- **Note:** Integrated Decorative Ends will have the selected finish on the interior and exterior of the integrated end. Other interior cabinet components will be natural unless a Matching Interior option is selected. If Matching Interior is desired, Matching Interior All Plywood Furniture Construction (MIAPFC) must be selected.
- **Note:** Cabinets ordered with Integrated Decorative Ends will include All Plywood Furniture Construction (APFC) as standard. For details on APFC attributes, please refer to the construction options section of this book

PE	CH
APC	IF
❖ APFC	TWR
FPEB	WR
MI	XS
● DE	XSG
OE	GD
AD_E	RTK
CW	RTKP
RD	TKD
ID	

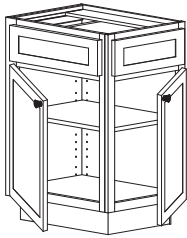
Operational End



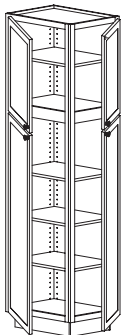
WOE_1



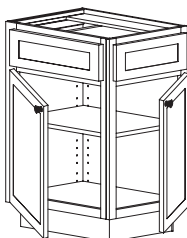
WOE_2



BOE



TOE



VOE

Base

BOE R or L
BOE B

Tall

TOE R or L

Vanity

VOE R or L
VOE B

Wall

12"-33" H

WOE R or L.1

WOE B.1

36"-54" H

WOE R or L.2

WOE B.2

- Specify R or L
- Operational End (OE) will be attached to 2 1/2" frame stiles
- **Not** available on both ends of Tall cabinets
- Stacking configuration of Operational End (OE) will mimic the face of the selected cabinet; BUTT doors are **not** provided, single hinged door only
- The overall width of a cabinet will increase by 1/16", per end, when Operational Ends are selected. Be aware of this rule when stacking cabinets in a design with and without this option
- Recessed Toe Kick (RTK) is standard on Base, Tall and Vanity cabinets
- Change Width (CW) can be used in combination with these construction options
- Change Height (CH) can be used in combination with these construction options
- If Wide Rail (WR) is selected, the side and front will have a wide rail
- Matching Interior (MI) is **not** standard but can be added as an option
- **Not** available on Peninsula cabinets, Wine Cabinets, Lattice Cabinets, Tambour Cabinets, Appliance Cabinets with Appliance Opening or Cabinets containing Rollout Trays (ROT)
- Operational End (OE) is **not** available with Increased Depth (ID) or Reduced Depth (RD) options
- Wall Operational End - Both (WOE.B) or any combination of Wall Operational Ends & Decorative Wall Ends (DWE_) should only be used on wall cabinets that are planned to be supported from underneath, placed on a floor or placed on a counter top.
- Wall cabinets are **not** intended to be installed independently without additional support
- Mullion doors and Camed glass designs are **not** available for 12" deep cabinets with Operational Ends (OE); the doors are **not** wide enough to accommodate these decorative door/glass types
- Camed Glass, Mullion Doors or Specialty Inserts are **not** available on multiple glass door positions (Front & End, Front & Ends Both, Top, Top & End, Top & Ends Both, Top & Bottom, Top & Bottom & End, Top & Bottom & Ends Both, Bottom, Bottom & End or Bottom & Ends Both)
- Glass doors **must** be ordered on front of cabinet to allow ordering of glass doors for Operational Ends (OE)
- **Not** available with Inverted Frame option (IF)

PE	CH
APC	IF
APFC	TWR
FPEB	WR
MI	XS
DE	XSG
● OE	GD
AD_E	RTK
CW	RTKP
RD	TKD
ID	



Whisper Touch Angle Restrictor Clips (WTHARC) are recommended for additional decorative hardware clearance

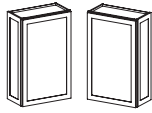


In 20-20 Operational End (OE) **must** be selected before adding glass to cabinet ends. Order Example: W1830R - WOE.R.1-2BIS.1E

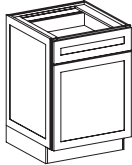


When ordering shelf kits for any Operational End (OE) cabinet be sure to order the shelf kits with the •OE suffix. This will provide your Operational End cabinet shelves with a complete and finished look

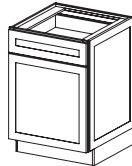
Attached Decorative End (Factory Applied Replacement Doors)



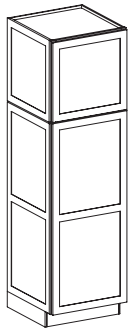
ADWE.1



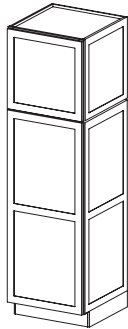
ADBEL



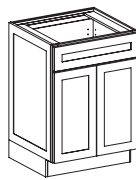
ADBER



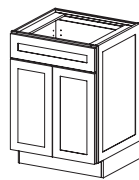
ADTEL



ADTER



ADVEL



ADVER

Base

ADBE R or L
ADBE B

Tall

ADTE R or L
ADTE B

Vanity

ADVE R or L
ADVE B

Wall

12"-33" High

ADWE R or L.1
ADWE B.1

36"-54" High

ADWE R or L.2
ADWE B.2

Special Drilling for Attachments

ADE

- Factory Applied Decorative Door
- Available on Full and Half Overlay door styles
- Available on select cabinets only
- Wall Cabinets:
 - Wall Appliance Garage cabinets (WAG) and Wall Lateral Bi-Fold Cabinets (WLBFC) will be supplied with a single door
 - Wall Stack cabinets (WST) will have two doors applied to align with the cabinet face
 - All other Wall cabinets will have a single full height door applied
 - Not available on 45" high Wall Microwave cabinets
 - Not available on 12" high Wall Refrigerator cabinets
- Base, Vanity and Desk Cabinets:
 - All Base, Vanity Base and Office/Desk cabinets will have a single full height door applied
 - Not available on 16" deep Vanity cabinets
 - Not available on BSDC6 or BWR6 cabinets
- Tall and Vanity (Utility) Cabinets:
 - Oven Cabinets (OC) and Microwave Cooking Center cabinets (MCC_) will be supplied with a door configuration that matches standard Utility (U) cabinets; tall lower door and short upper door
 - Utility Stack cabinets (UST) will have three doors applied to align with the cabinet face; 60 1/2" Utility Stack cabinets will have two doors applied to align with the cabinet face
 - All other Utility cabinets will have two doors applied to align with the cabinet face; 60 1/2" Utility cabinets will have a single door applied
 - Not available on 52 1/2" high Vanity Linen Cabinets (VLC)
- General Rules:
 - Not available on cabinet deeper than 24"
 - Not available on Furniture Cabinets (FB, FBS, FW, FWT)
- Cabinet construction defaults to All Plywood Furniture Construction (APFC) when this option is selected
- **Not** available with Matching Interior Standard Construction Printed Wood grain Laminate (MIV) or Matching Interior Plywood (MIP), to get Matching Interior use the Matching Interior All Plywood Furniture Construction (MIAPFC) option
- **Not** available on Tall cabinets with an Inverted Frame option (IF)

PE	CH
APC	IF
APFC	TWR
FPEB	WR
MI	XS
DE	XSG
OE	GD
● AD_E	RTK
CW	RTKP
RD	TKD
ID	



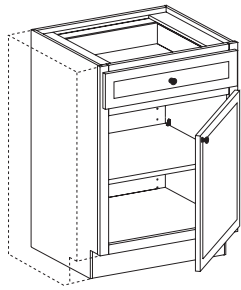
ADE: This dash option will be used with replacement doors to ensure the special attachment pieces are installed into the door (Example: RD2430NH.B-ADE)

Cabinet Dimension Modification Information

Cabinet Dimension Modifications		
Choose from the following and apply to cabinet code:		
One Dimension	Two Dimensions	Three Dimensions
CW (Change Width)	CW.RD (Change Width & Reduce Depth)	CW.RD.CH (Change Width, Reduce Depth & Change Height)
RD (Reduce Depth)	CW.ID (Change Width & Increase Depth)	
ID (Increase Depth)	RD.CH (Reduce Depth & Change Height)	CW.ID.CH (Change Width, Increase Depth & Change Height)
CH (Change Height)	ID.CH (Increase Depth & Change Height)	
	CW.CH (Change Width & Change Height)	

- Cabinets can be modified in 1/16" increments; specify overall finished dimensions to the nearest 1/16". Doors, drawer fronts and cabinet opening will be modified to coordinate with the new dimensions
- Height modifications will occur in the door portion of the cabinet
- Shelf quantities will remain consistent with original cabinet when cabinet dimensions are increased or decreased
- **Note:** For information on replacement doors and made-to-order doors, refer to the Decorative Appliance Panel section

Change Width



One Dimension
CW

- To order Change Width (CW) modifications, start with a larger cabinet and reduce down in 1/16" increments. Consult option availability chart for your desired cabinet
- Specify overall finished width.
Example 1: W1830L-CW 17 1/2";
Example 2: B30BUTT-CW 28 1/2"
(Example of incorrect request: W1830L-CW 19 1/2")
- Double door cabinets **cannot** be modified to less than 24" wide; single door cabinets **must** be used for this option
- Select Decorative Doors and Inserts are available with the Change Width (CW) option; refer to the Decorative Doors and Inserts section for specific availability
- Consult option availability chart for your desired cabinet
- Note:** Decorative Inserts are **not** available on cabinets less than 12" wide

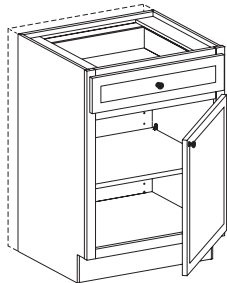
PE	CH
APC	IF
APFC	TWR
FPEB	WR
MI	XS
DE	XSG
OE	GD
AD_E	RTK
● CW	RTKP
RD	TKD
ID	

Change Width		
Cabinet	Min. Width	Max. Width
Wall	9"	48"
Base	9"	48"
Tall	9"	36"
Vanity Base	12"	60"



Consider using APDW (Appliance Panel Drawer Front) if a unique Filler Overlay size is required in your design. See "Custom Appliance Panels" section of this book for guidelines and parameters

Reduced Depth



One Dimension
RD

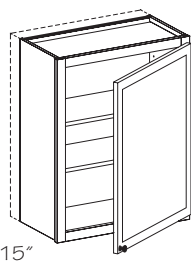
- Many cabinets can be reduced to your desired depth in 1/16" increments. We do have suggested minimums that control function of cabinets. See chart
- Any cabinet reduced in depth to less than 4 5/8" will be shipped as a Cabinet Front Only (CFO)
- Consult option availability chart for your desired cabinet
- Order Example: B24R-RD reduced depth to 20 1/4"

PE	CH
APC	IF
APFC	TWR
FPEB	WR
MI	XS
DE	XSG
OE	GD
AD_E	RTK
● RD	RTKP
ID	TKD

Cabinet	Drawer Box Depth
24"-27"	20 43/64"
21"-23 15/16"	17 23/32"
18"-20 15/16"	14 49/64"
15"-17 15/16"	11 13/16"
12"-14 15/16"	8 55/64"
less than 12"	No drawer

Reduced Depth		
Sugg. Min.	Cabinets	Reason
4 5/8"	All	Minimum for shelf hole drilling
9"	PB	Minimum for toe kick notch Less than 9" WR is mandatory
12"	Cabinets with drawers	Minimum for working drawer Less than 12" depth will have false drawer front
18"	BEA WEA	Minimum allowed
12"	WWH	Wine Storage section always 12" deep

Increased Depth

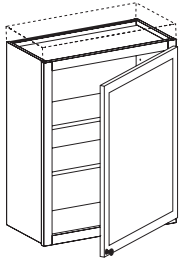


One Dimension
ID

- Many wall cabinets can be increased to a 24" depth, in 1/16" increments
- Consult option availability chart for your desired cabinet
- Any wall cabinet over 24" wide, at least 30" high with a depth greater than 12" **must** be installed between two cabinets, a cabinet and a wall or supported from below. The same is also true for cabinets with BUTT doors
- Many Tall cabinets can be increased to a 27" depth, in 1/16" increments. Consult option availability chart for your desired cabinet
- Order Example: W2430R-ID increased depth to 16 1/4"
- Note:** Maximum cabinet width for this option is 36"

PE	CH
APC	IF
APFC	TWR
FPEB	WR
MI	XS
DE	XSG
OE	GD
AD_E	RTK
● ID	RTKP
RD	TKD

Change Height



One Dimension
CH

Change Height		
Cabinet	Min. Height	Max. Height
Wall	12"	54"
Base FH 34 1/2" H	16 1/2"	40 7/16"
Base FH 40 1/2" H	40 1/2"	60 7/16"
Base	23"	42"
Tall	72 1/2"	96"
Vanity Base	23"	42"

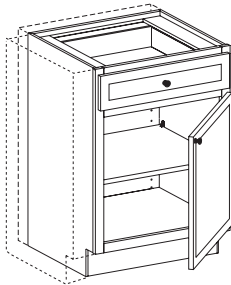
- Many cabinets can be modified to your desired height in 1/16" increments
- Consult option availability chart for your desired cabinet
- Specify overall finished height.
Example 1: W1836L-CH 33 1/2";
Example 2: B30BUTT-CH 40 1/2"
- To Change Height (CH) on wall cabinets 18 1/16" to 23 7/16" H, select a nominal 24" H cabinet (heights **cannot** be modified on 21" H cabinets); for heights 23 9/16" to 29 15/16" H, select a nominal 30" H cabinet (heights **cannot** be modified on 27" H cabinets)
- 34 1/2" H Base Cabinets can be increased in height to 42" H; height adjustments will be made to the door section of the base cabinet, therefore height adjustments are **not** available for drawer stack cabinets
- For Tall 72 1/2"-83 15/16" H, select a nominal 84" H cabinet; height adjustments will be made to the upper section of the tall cabinet. Cabinets changed to a height shorter than 81 1/2" will **not** have a shelf in the upper section

PE	●	CH
APC		IF
APFC		TWR
FPEB		WR
MI		XS
DE		XSG
OE		GD
AD_E		RTK
CW		RTKP
RD		TKD
ID		



Consider using APDW (Appliance Panel Drawer Front) if a unique Filler Overlay size is required in your design. See "Custom Appliance Panels" section of this book for guidelines and parameters

Change Width & Reduce Depth



Two Dimensions
CW.RD

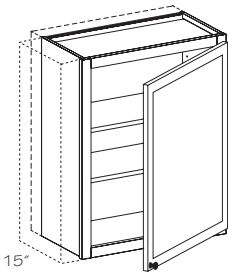
- Many cabinets can be modified to your desired width and depth. We do have suggested minimums that control function of cabinets
- Consult option availability chart for your desired cabinet
- Any cabinet reduced in depth to less than 4 5/8" will be shipped as a Cabinet Front Only (CFO)
- Double door cabinets **cannot** be modified to less than 24" wide; single door cabinets **must** be used for this option

PE		CH
APC		IF
APFC		TWR
FPEB		WR
MI		XS
DE		XSG
OE		GD
AD_E		RTK
●	CW	RTKP
●	RD	TKD
ID		

Cabinet	Drawer Box Depth
24"-27"	20 43/64"
21"-23 15/16"	17 23/32"
18"-20 15/16"	14 49/64"
15"-17 15/16"	11 13/16"
12"-14 15/16"	8 55/64"
less than 12"	No drawer

Change Width and Reduced Depth				
Cabinets	Min. Width	Max. Width	Min. Depth	Reasons for exceptions
Wall	9"	48"	4 5/8"	Minimum for shelf hole drilling
Base	9"	48"	4 5/8"	Minimum for shelf hole drilling
Tall	9"	36"	4 5/8"	Minimum for shelf hole drilling
Vanity Base	12"	60"	4 5/8"	Minimum allowed
Cabinets with drawers	N/A	N/A	12"	Minimum for working drawer Less than 12" depth will have false drawer front
Peninsula Base	9"	48"	9"	Minimum for toe kick notch Less than 9" WR is mandatory

Change Width & Increase Depth



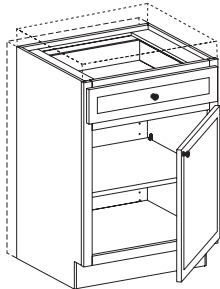
Two Dimensions
CW.ID

- Many cabinets can be modified to your desired width and depth
- Consult chart for the suggested minimums that control the functionality of cabinets
- Many wall cabinets can be increased to a 24" depth, in 1/16" increments
- Double door cabinets **cannot** be modified to less than 24" wide; single door cabinets **must** be used for this option
- Any wall cabinet over 24" wide, at least 30" high with a depth greater than 12" **must** be installed between two cabinets, a cabinet and a wall or supported from below. The same is also true for cabinets with BUTT doors

PE	CH
APC	IF
APFC	TWR
FPEB	WR
MI	XS
DE	XSG
OE	GD
AD_E	RTK
● CW	RTKP
RD	TKD
● ID	

Change Width and Increased Depth			
Cabinets	Min. Width	Max. Width	Max. Depth
Wall	9"	48"	24"
Base	9"	48"	24"
Tall	9"	36"	27"
Vanity Utility	12"	36"	27"
Peninsula Wall	9"	36"	15"

Reduce Depth & Change Height



Two Dimensions
RD.CH

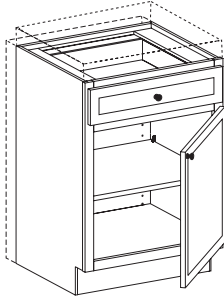
- Many cabinets can be changed to your desired depth and height
- Consult chart for suggested minimums that control the functionality of cabinet
- Any cabinet reduced in depth to less than 4 5/8" will be shipped as a Cabinet Front Only (CFO)
- To Change Height (CH) on wall cabinets 18 1/16" to 23 7/16" H, select a nominal 24" H cabinet (heights **cannot** be modified on 21" H cabinets); for heights 23 9/16" to 29 15/16" H, select a nominal 30" H cabinet (heights **cannot** be modified on 27" H cabinets)
- 34 1/2" H Base Cabinets can be increased in height to 42" H; height adjustments will be made to the door section of the base cabinet, therefore height adjustments are **not** available for drawer stack cabinets
- For Tall 72 1/2"–83 15/16" H, select a nominal 84" H cabinet; height adjustments will be made to the upper section of the tall cabinet. Cabinets changed to a height shorter than 81 1/2" will **not** have a shelf in the upper section
- Consult option availability chart for your desired cabinet

PE	● CH
APC	IF
APFC	TWR
FPEB	WR
MI	XS
DE	XSG
OE	GD
AD_E	RTK
● RD	RTKP
ID	TKD

Cabinet	Drawer Box Depth
24"-27"	20 43/64"
21"-23 15/16"	17 23/32"
18"-20 15/16"	14 49/64"
15"-17 15/16"	11 13/16"
12"-14 15/16"	8 55/64"
less than 12"	No drawer

Reduced Depth and Change Height				
Cabinets	Min. Depth	Min. Height	Max. Height	Reasons for exceptions
Wall	4 5/8"	12"	54"	Minimum for shelf hole drilling
Base FH 34 1/2" H	4 5/8"	16 1/2"	40 7/16"	Minimum for shelf hole drilling
Base FH 40 1/2" H	4 5/8"	40 1/2"	60 7/16"	Minimum for shelf hole drilling
Base	4 5/8"	23"	42"	Minimum for shelf hole drilling
Tall	4 5/8"	72 1/2"	96"	Minimum for shelf hole drilling
Vanity Base	4 5/8"	23"	42"	Minimum for shelf hole drilling
Cabinets with drawers	12"	N/A	N/A	Minimum for working drawer Less than 12" depth will have false drawer front
Peninsula Base	9"	23"	42"	Minimum for toe kick notch Less than 9" WR is mandatory
BEA	18"	23"	42"	Minimum allowed

Increase Depth & Change Height



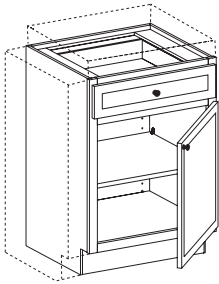
Two Dimensions
ID.CH

Increased Depth and Change Height			
Cabinets	Max. Depth	Min. Height	Max. Height
Wall	24"	12"	54"
Base FH 34 1/2" H	24"	16 1/2"	40 7/16"
Base FH 40 1/2" H	24"	40 1/2"	60 7/16"
Base	24"	23"	42"
Tall	27"	72 1/2"	96"
Vanity Utility	27"	72 1/2"	96"
Peninsula Wall	15"	12"	42"

PE	●	CH
APC		IF
APFC		TWR
FPEB		WR
MI		XS
DE		XSG
OE		GD
AD_E		RTK
CW		RTKP
RD		TKD
●	ID	

- Many cabinets can be changed to your desired depth and height
- Consult chart for suggested minimums that control the functionality of cabinet
- Any wall cabinet over 24" wide, at least 30" high with a depth greater than 12" **must** be installed between two cabinets, a cabinet and a wall or supported from below. The same is also true for cabinets with BUTT doors
- Maximum Increased Depth (ID)
- To Change Height (CH) on wall cabinets 18 1/16" to 23 7/16" H, select a nominal 24" H cabinet (heights **cannot** be modified on 21" H cabinets); for heights 23 9/16" to 29 15/16" H, select a nominal 30" H cabinet (heights **cannot** be modified on 27" H cabinets)
- 34 1/2" H Base Cabinets can be increased in height to 42" H; height adjustments will be made to the door section of the base cabinet, therefore height adjustments are **not** available for drawer stack cabinets
- For Tall 72 1/2"–83 15/16" H, select a nominal 84" H cabinet; height adjustments will be made to the upper section of the tall cabinet. Cabinets changed to a height shorter than 81 1/2" will **not** have a shelf in the upper section
- Consult option availability chart for your desired cabinet
- **Note:** Maximum cabinet width for this option is 36"

Change Width & Change Height



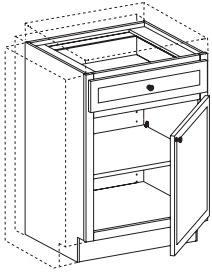
Two Dimensions
CW.CH

Change Width and Change Height				
Cabinet	Min. Width	Max. Width	Min. Height	Max. Height
Wall	9"	48"	12"	54"
Base FH 34 1/2" H	9"	48"	16 1/2"	40 7/16"
Base FH 40 1/2" H	9"	48"	40 1/2"	60 7/16"
Base	9"	48"	23"	42"
Tall	9"	36"	72 1/2"	96"
Vanity Base	12"	60"	23"	42"

PE	●	CH
APC		IF
APFC		TWR
FPEB		WR
MI		XS
DE		XSG
OE		GD
AD_E		RTK
●	CW	RTKP
RD		TKD
ID		

- Many cabinets can be modified to your desired width and height
- Consult option availability chart for your desired cabinet
- Double door cabinets **cannot** be modified to less than 24" wide; single door cabinets **must** be used for this option
- To Change Height (CH) on wall cabinets 18 1/16" to 23 7/16" H, select a nominal 24" H cabinet (heights **cannot** be modified on 21" H cabinets); for heights 23 9/16" to 29 15/16" H, select a nominal 30" H cabinet (heights **cannot** be modified on 27" H cabinets)
- 34 1/2" H Base Cabinets can be increased in height to 42" H; height adjustments will be made to the door section of the base cabinet, therefore height adjustments are **not** available for drawer stack cabinets
- For Tall 72 1/2"–83 15/16" H, select a nominal 84" H cabinet; height adjustments will be made to the upper section of the tall cabinet. Cabinets changed to a height shorter than 81 1/2" will **not** have a shelf in the upper section

Change Width, Reduce Depth & Change Height



Three Dimensions
CW.RD.CH

Cabinet	Drawer Box Depth
24"-27"	20 43/64"
21"-23 15/16"	17 23/32"
18"-20 15/16"	14 49/64"
15"-17 15/16"	11 13/16"
12"-14 15/16"	8 55/64"
less than 12"	No drawer

- Many cabinets can be modified to your desired width, depth and height. We do have suggested minimums that control function of cabinets
- Consult option availability chart for your desired cabinet
- Any cabinet reduced in depth to less than 4 5/8" will be shipped as a Cabinet Front Only (CFO)
- Double door cabinets **cannot** be modified to less than 24" wide; single door cabinets **must** be used for this option
- To Change Height (CH) on wall cabinets 18 1/16" to 23 7/16" H, select a nominal 24" H cabinet (heights **cannot** be modified on 21" H cabinets); for heights 23 9/16" to 29 15/16" H, select a nominal 30" H cabinet (heights **cannot** be modified on 27" H cabinets)
- 34 1/2" H Base Cabinets can be increased in height to 42" H; height adjustments will be made to the door section of the base cabinet, therefore height adjustments are **not** available for drawer stack cabinets
- For Tall 72 1/2"-83 15/16" H, select a nominal 84" H cabinet; height adjustments will be made to the upper section of the tall cabinet. Cabinets changed to a height shorter than 81 1/2" will **not** have a shelf in the upper section

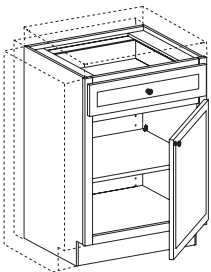
PE	●	CH
APC		IF
APFC		TWR
FPEB		WR
MI		XS
DE		XSG
OE		GD
AD_E		RTK
●	CW	RTKP
●	RD	TKD
ID		

Change Width, Reduced Depth and Change Height

Cabinets	Min. Width	Max. Width	Min. Depth	Min. Height	Max. Height	Reasons for exceptions
Wall	9"	48"	4 5/8"	12"	54"	Minimum for shelf hole drilling
Base FH 34 1/2" H	9"	48"	4 5/8"	16 1/2"	40 7/16"	Minimum for shelf hole drilling
Base FH 40 1/2" H	9"	48"	4 5/8"	40 1/2"	60 7/16"	Minimum for shelf hole drilling
Base	9"	48"	4 5/8"	23"	42"	Minimum for shelf hole drilling
Tall	9"	36"	4 5/8"	72 1/2"	96"	Minimum for shelf hole drilling
Vanity Base	12"	60"	4 5/8"	23"	42"	Minimum for shelf hole drilling
Peninsula Base	9"	48"	9"	23"	42"	Minimum for toe kick notch Less than 9" WR is mandatory

Minimum depth for working drawer is 12", less than 12" depth will have a false drawer front"

Change Width, Increase Depth & Change Height



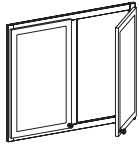
Three Dimensions
CW.ID.CH

Cabinets	Min. Width	Max. Width	Max. Depth	Max. Height
Wall	9"	48"	24"	54"
Base	9"	48"	24"	42"
Tall	9"	36"	27"	96"
Vanity Utility	12"	36"	27"	96"
Peninsula Wall	9"	36"	15"	42"

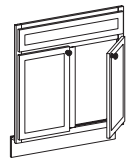
- Many cabinets can be modified to your desired width, depth and height. We do have suggested minimums that control function of cabinets
- Consult option availability chart for your desired cabinet
- Any wall cabinet over 24" wide, at least 30" high with a depth greater than 12" **must** be installed between two cabinets, a cabinet and a wall or supported from below. The same is also true for cabinets with BUTT doors
- Double door cabinets **cannot** be modified to less than 24" wide; single door cabinets **must** be used for this option
- To Change Height (CH) on wall cabinets 18 1/16" to 23 7/16" H, select a nominal 24" H cabinet (heights **cannot** be modified on 21" H cabinets); for heights 23 9/16" to 29 15/16" H, select a nominal 30" H cabinet (heights **cannot** be modified on 27" H cabinets)
- 34 1/2" H Base Cabinets can be increased in height to 42" H; height adjustments will be made to the door section of the base cabinet, therefore height adjustments are **not** available for drawer stack cabinets
- For Tall 72 1/2"-83 15/16" H, select a nominal 84" H cabinet; height adjustments will be made to the upper section of the tall cabinet. Cabinets changed to a height shorter than 81 1/2" will **not** have a shelf in the upper section
- **Note:** Maximum cabinet width for this option is 36"

PE	●	CH
APC		IF
APFC		TWR
FPEB		WR
MI		XS
DE		XSG
OE		GD
AD_E		RTK
●	CW	RTKP
●	RD	TKD
●	ID	

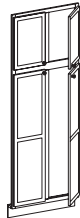
Cabinet Front Only



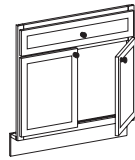
W3030-CFO



B30-CFO



U302484-CFO



VSB242134-CFO

CFO

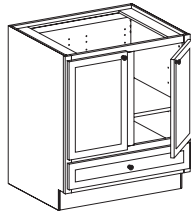
- Front frame and appropriate doors and drawer fronts only
- Toe kick attached where applicable except 93" and 96" tall
- Extended stiles available



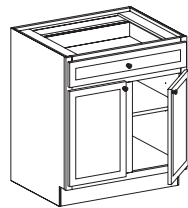
We recommend using this option on cabinetry containing no factory installed accessories, since all cabinet components will be eliminated except face frame, doors and drawer fronts. For example, order EZR36L-CFO instead of EZR36L. WSS-CFO or B18L-CFO instead of B18L.FWT-CFO

PE	CH
APC	IF
APFC	TWR
FPEB	WR
MI	XS
DE	XSG
OE	GD
AD_E	RTK
CW	RTKP
RD	TKD
ID	

Inverted Frame



B30-IF
Inverted Frame



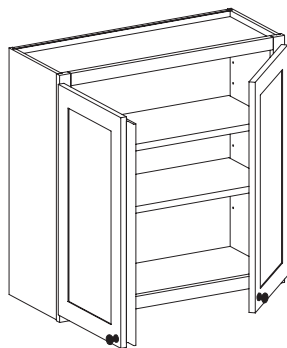
B30
Standard

IF

- Most Base and Vanity cabinets can be ordered with an Inverted Frame (IF)
- Consult option availability chart for your desired cabinet
- Bottom drawer box will be 2 1/4" deep
- Factory installed Roll-out Trays (ROT) are **not** available
- **Not** available with glass door options
- **Not** available on Tall cabinets with Attached Decorative End (AD_E) options
- **Not** available with Operational End Door (OE) option

PE	CH
APC	IF
APFC	TWR
FPEB	WR
MI	XS
DE	XSG
OE	GD
AD_E	RTK
CW	RTKP
RD	TKD
ID	

Mullion Strip Wall-Void Center Stile

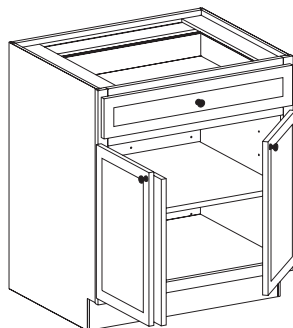


MSW

- On double door cabinets (30"–36" wide, up to 42" high) the center stile can be removed. When this is done, a mullion strip is attached to the left door.
- Solid wood
- Painted hardwood supplied for EverCore™
- Painted or Stained hardwood supplied for Wood-Grain Foil door styles
- Any wall cabinet over 24" wide, at least 30" high with a depth greater than 12" **must** be installed between two cabinets, a cabinet and a wall or supported from below. The same is also true for cabinets with BUTT doors
- **Not** available on Peninsula cabinets
- **Not** available with butt door cabinets
- Change Width (CW) option **not** available
- Change Height (CH) option **not** available

PE	CH
APC	IF
APFC	TWR
FPEB	WR
MI	XS
DE	XSG
OE	GD
AD_E	RTK
CW	RTKP
RD	TKD
ID	

Mullion Strip Base-Void Center Stile

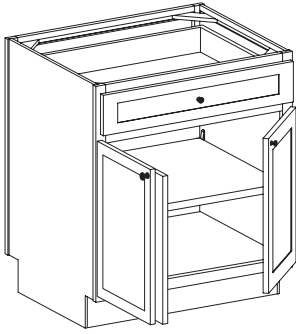


MSB

- On double door cabinets (30" or wider) the center stile can be removed. When this is done, a mullion strip is attached to the left door
- Order Example: B30-MSB
- Solid wood
- Painted hardwood supplied for EverCore™
- Painted or Stained hardwood supplied for Wood-Grain Foil door styles
- **Not** available with butt door cabinets
- Change Width (CW) option **not** available
- Change Height (CH) option **not** available
- **Not** available for use on cabinets with Rollout Trays installed
- **Note:** This option applies to base cabinets only

PE	CH
APC	IF
APFC	TWR
FPEB	WR
MI	XS
DE	XSG
OE	GD
AD_E	RTK
CW	RTKP
RD	TKD
ID	

Mullion Strip Peninsula Base-Void Center Stile

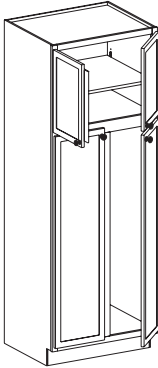


MSPBK Kitchen Side
MSPBP Peninsula Side
MSPBB Both Sides

- On double door cabinets (30" or wider) the center stile can be removed. When this is done, a mullion strip is attached to the left door.
- Solid wood
- Painted hardwood supplied for EverCore™
- Painted or Stained hardwood supplied for Wood-Grain Foil door styles
- **Not** available with butt door cabinets
- **Not** available for use on cabinets with Rollout Trays installed
- **Note:** This option applies to base peninsula cabinets only

PE	CH
APC	IF
APFC	TWR
FPEB	WR
MI	XS
DE	XSG
OE	GD
AD_E	RTK
CW	RTKP
RD	TKD
ID	

Mullion Strip Utility Top-Void Center Stile

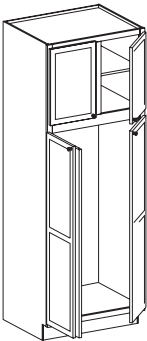


MSUT

- On double door cabinets (30" or wider) the center stile can be removed from the upper section of a tall cabinet. When this is done, a mullion strip is attached to the left door
- Solid wood
- Painted hardwood supplied for EverCore™
- Painted or Stained hardwood supplied for Wood-Grain Foil door styles
- If Inverted Frame (IF) option is chosen with this option, the smaller section, now on bottom, will have the mullion strip
- **Not** available on cabinets with standard Mullion Strip Base (MSB). Example: Multi-Storage Pantry (MSP), Utility Roll-out Tray (U-ROT)
- **Not** available with butt door cabinets
- Change Width (CW) option **not** available
- Change Height (CH) option **not** available
- Order Example: U302484-MSUT
- **Note:** MSUB and MSUT **not** available on same cabinet

PE	CH
APC	IF
APFC	TWR
FPEB	WR
MI	XS
DE	XSG
OE	GD
AD_E	RTK
CW	RTKP
RD	TKD
ID	

Mullion Strip Utility Bottom-Void Center Stile

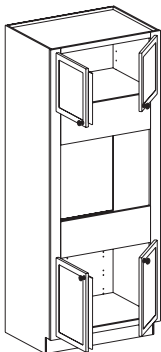


MSUB

- On double door cabinets (30" or wider) the center stile can be removed from the lower section of a tall cabinet. When this is done, a mullion strip is attached to the left door
- Solid wood
- Painted hardwood supplied for EverCore™
- Painted or Stained hardwood supplied for Wood-Grain Foil door styles
- If Inverted Frame (IF) option is chosen with this option, the larger section, now on top, will have the mullion strip
- **Not** available with butt door cabinets
- Change Width (CW) option **not** available
- Change Height (CH) option **not** available
- Order Example: U302484-MSUB
- **Not** available for use on cabinets with Rollout Trays installed
- **Note:** MSUB and MSUT **not** available on same cabinet

PE	CH
APC	IF
APFC	TWR
FPEB	WR
MI	XS
DE	XSG
OE	GD
AD_E	RTK
CW	RTKP
RD	TKD
ID	

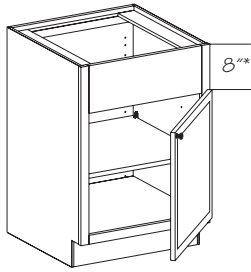
Mullion Strip Oven Cabinet-Void Center Stile



MSOTB

- Solid wood
- On 33" and 39" wide single oven cabinets the center stile can be removed from the upper and lower sections. When this is done, a mullion strip is attached to the left doors
- **Not** available with butt door cabinets
- Change Width (CW) option **not** available
- Change Height (CH) option **not** available
- Painted hardwood supplied for EverCore™
- Painted or Stained hardwood supplied for Wood-Grain Foil door styles
- Order Example: OC332484S-MSOTB
- **Not** available for use on cabinets with Rollout Trays installed
- **Note:** This option applies only to the OC 33_S and OC 39_S cabinets

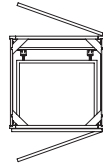
PE	CH
APC	IF
APFC	TWR
FPEB	WR
MI	XS
DE	XSG
OE	GD
AD_E	RTK
CW	RTKP
RD	TKD
ID	



Top Wide Rail

- TWRB** Both Sides
- TWRK** Kitchen Side
- TWRP** Peninsula Side

Peninsula side



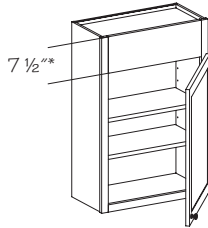
Kitchen side

*The reveal on a cabinet with TWR varies depending on the door overlay. See chart.

Overlay	1/2"	Full
Reveal	7 1/2"	6 3/4"

- We offer many base and vanity cabinets with a Top Wide Rail option. Consult option availability chart for your desired cabinet
- When Both Sides are selected, the cabinet will **not** have a drawer box or drawer fronts
- When Kitchen side is selected, the drawer box will be three inches shallower than the standard drawer box and will open to the Peninsula side
- When Peninsula side is selected, the drawer box will be three inches shallower than the standard drawer box and will open to the Kitchen side. See Illustration
- Quartersawn door styles have quartersawn top wide rail, cabinet frame is plain sawn wood
- Painted hardwood supplied for EverCore™
- Order Example: B36-TWR

PE	CH
APC	IF
APFC	● TWR
FPEB	WR
MI	XS
DE	XSG
OE	GD
AD_E	RTK
CW	RTKP
RD	TKD
ID	



Wall Top Wide Rail

WTWR 7 1/2"

*The reveal on a cabinet with WTWR varies depending on the door overlay. See chart.

Overlay	1/2"	Full
18" H	6 1/2"	5 3/4"
24" H	7 1/2"	6 3/4"
All other walls	7"	6"



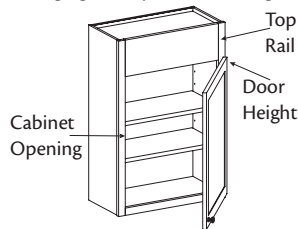
Remember, any replacement doors, interior accessories or options, including shelves, are based on the size of original cabinet, **not** the height after WTWR is added

- Many wall cabinets can be ordered with a wide top rail. Consult option availability chart for your desired cabinet
- Wall Top Wide Rail (WTWR) available on 12"-36" high cabinets only
- **Not** available on 27" high cabinets
- This option will add 6" to the interior and exterior nominal height
- Quartersawn door styles have quartersawn top wide rail, cabinet frame is plain sawn wood
- Top rail on 18" high cabinets will be 7", on 24" high cabinets 8", all other heights 7 1/2"
- Change Width (CW) option **not** available
- Change Height (CH) option **not** available
- Painted hardwood supplied for EverCore™

PE	CH
APC	IF
APFC	● TWR
FPEB	WR
MI	XS
DE	XSG
OE	GD
AD_E	RTK
CW	RTKP
RD	TKD
ID	

Change Top Rail

Changing the top rail also changes:

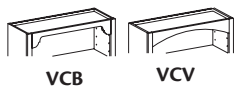


CTR

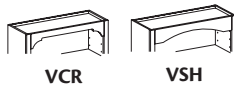
- Change Top Rail Dimension (CTR) can be modified in 1/16" increments; with a min. of 1/16" or a max. of 6"
- The selected dimension will be added to the top rail and will equally reduce the cabinet opening and door height; the overall cabinet height will be unchanged
- Change Width (CW) can be used along with Change Top Rail (CTR)
- Change Height (CH) option **not** available
- Many wall and tall cabinets can be ordered with a wide top rail. Consult option availability chart for your desired cabinet
- Example for Change Top Rail Dimension (CTR): W2136L-CTR change rail by 2 1/4" (33 3/4"); U242484BUTT-CTR change rail by 1" (83")

PE	CH
APC	IF
APFC	● TWR
FPEB	WR
MI	XS
DE	XSG
OE	GD
AD_E	RTK
CW	RTKP
RD	TKD
ID	

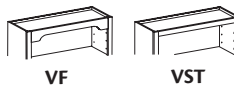
Cabinet Valance Options



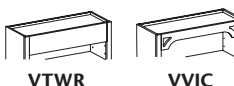
VCB **VCV**



VCR **VSH**



VF **VST**



VTWR **VVIC**

Corbel Valance

VCB 5 1/2"

Crown Valance

VCR 5 1/2"

Cove Valance

VCV 4 1/2"

Furniture Valance

VF 3 1/2"

Shaker Arched Valance

VSH 5 1/2"

Straight Rail Valance

VST 1 1/2"

VTWR 6"

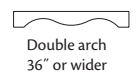
Victorian Valance

VVIC 5 1/2"

- On Furniture Cabinets and Wall Open Cabinets (WOC), the top rail can be ordered with an optional decorative valance
- WOC cabinets are manufactured with no valance as standard
- Valance options available in cabinets 15" and wider
- Order Example: FBS181248-VS
- Order Example: WOC3030-VCR

PE	CH
APC	IF
APFC	TWR
FPEB	WR
MI	XS
DE	XSG
OE	GD
AD_E	RTK
CW	RTKP
RD	TKD
ID	

Decorative Wide Rail Options



Wide Rail Plain

WRB
WRK
WRP

Wide Rail Corbel

WRCBB
WRCBK
WRCBP

Wide Rail Cove

WRCVB
WRCVK
WRCVP

Wide Rail Crown

WRCRB
WRCRK
WRCRP

Wide Rail Furniture

WRFB
WRFK
WRFP

Wide Rail Shaker

WRSHB
WRSHK
WRSHP

- We offer many base and tall cabinets with a variety of wide bottom rail options (WR). Consult option availability chart for your desired cabinet

- B=Both
K=Kitchen side
P=Peninsula side

- Decorative wide bottom rail only available on cabinets 15" or wider

- Ships with black toe kick installed, except for Wide Rail Plain (WR). Matching toe kick **must** be ordered separately and installed before cabinet is installed

- RTK and WR **not** available on same cabinet except when combining WR_K and RTKP options

- In quartersawn door styles, Wide Rail Plain will be quartersawn; all other decorative wide rail options will be plain sawn

- Painted hardwood supplied for EverCore™ and Thermofoil

- Not** available on 93" and 96" high tall cabinets

- Mesa and Montresano supplied plain sawn

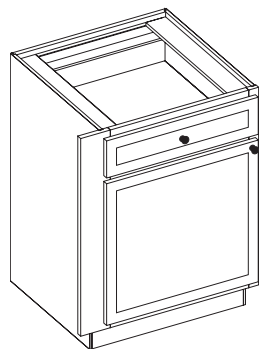
- Order Example: B30-WRAK



Remember, WRA-Wide Bottom Rail Arched Fret, WRSH-Shaker, WRA-Arched, WRCR-Crown, WRCB-Corbel, WRCV-Cove, and WRF-Furniture come with black toe kick behind. To finish the toe kick you **must** order MTK8 or WMTK8 and apply it BEFORE the cabinets are installed.

PE	CH
APC	IF
APFC	TWR
FPEB	● WR
MI	XS
DE	XSG
OE	GD
AD_E	RTK
CW	RTKP
RD	TKD
ID	

Extended Stile



Base

B3 XB
B3 XR or L
PB3 XBB
PB3 XBK or P
PB3 XR or LB
PB3 XR or LK
PB3 XR or LP

Wall

W3 XB
W3 XR or L
PW3 XBB
PW3 XBK or P
PW3 XR or LB
PW3 XR or LK
PW3 XR or LP

Tall

T3 XB
T3 XR or L

Vanity

V3 XB
V3 XR or L

Change Extended Stile Dimension
Base

B3 XR or L-CX

Wall

W3 XR or L-CX

Tall

T3 XR or L-CX

Vanity

V3 XR or L-CX

- Specify R or L

- 3" extended stiles are available. Stiles may be extended left, right or both. Consult option availability chart (XS) for your desired cabinet

- Use wall nomenclature for Furniture cabinets up to 66" high

- Change Stile Dimension (CX) is **not** available on both side of cabinet or on Peninsula cabinets

- Change Stile Dimension (CX) can be modified in 1/16" increments; min. of 1/16"; max. of 2 15/16"

- Painted hardwood supplied for EverCore™

- Order Example: B12L-B3XL. Order designation XL means 3" extended stile left, overall cabinet width is 15"

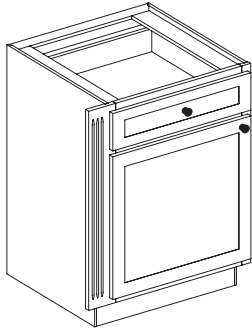
- Example for Change Stile Dimension (CX): B12L-B3XL.CX change stile to 3/4"

- Available with Change Width (CW) and Change Height (CH)

PE	CH
APC	IF
APFC	TWR
FPEB	● WR
MI	XS
DE	XSG
OE	GD
AD_E	RTK
CW	RTKP
RD	TKD
ID	

Cabinets	Left	Right	Left & Right	Cabinets	Left	Right	Left & Right	Cabinets	Left	Right	Left & Right
Wall	W3XL	W3XR	W3XB	Peninsula Wall (Kitchen side)	PW3XLK	PW3XRK	PW3XBK	Peninsula Base (Kitchen side)	PB3XLK	PB3XRK	PB3XBK
Tall	T3XL	T3XR	T3XB	Peninsula Wall (Peninsula side)	PW3XLP	PW3XRP	PW3XBP	Peninsula Base (Peninsula side)	PB3XLP	PB3XRP	PB3XBP
Base	B3XL	B3XR	B3XB	Peninsula Wall (Both sides)	PW3XLB	PW3XRB	PW3XBB	Peninsula Base (Both sides)	PB3XLB	PB3XRB	PB3XBB
Vanity	V3XL	V3XR	V3XB								

Fluted Extended Stile



Base

FB3 XB
FB3 XR or L
FPB3 XBB
FPB3 XR or LB
FPB3 XR or LK
FPB3 XBK or P
FPB3 XR or LP

Wall

FW3 XB
FW3 XR or L
FPW3 XBB
FPW3 XR or LB
FPW3 XR or LK
FPW3 XBK or P
FPW3 XR or LP

Tall

FT3 XB
FT3 XR or L

Vanity

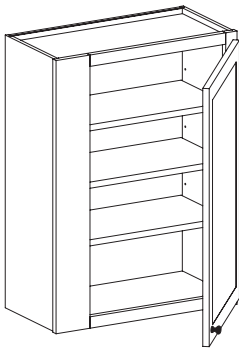
FV3 XB
FV3 XR or L

- Specify R or L
- 3" extended stiles are available. Stiles may be extended left, right or both. Consult option availability chart (XS) for your desired cabinet
- Use wall nomenclature for Furniture cabinets up to 66" high
- Minimum cabinet height 12"
- Painted hardwood supplied for EverCore™
- Mesa and Montresano supplied plain sawn
- Change Height (CH) option *not* available
- Order Example: B12L-FB3XL. Order designation XL means 3" extended stile left, overall cabinet width is 15"

PE	CH
APC	IF
APFC	TWR
FPEB	WR
MI	● XS
DE	XSG
OE	GD
AD_E	RTK
CW	RTKP
RD	TKD
ID	

Cabinets	Left	Right	Left & Right	Cabinets	Left	Right	Left & Right	Cabinets	Left	Right	Left & Right
Wall	FW3XL	FW3XR	FW3XB	Peninsula Wall (Kitchen side)	FPW3XLK	FPW3XRK	FPW3XBK	Peninsula Base (Kitchen side)	FPB3XLK	FPB3XRK	FPB3XBK
Tall	FT3XL	FT3XR	FT3XB	Peninsula Wall (Peninsula side)	FPW3XLP	FPW3XRP	FPW3XBP	Peninsula Base (Peninsula side)	FPB3XLP	FPB3XRP	FPB3XBP
Base	FB3XL	FB3XR	FB3XB	Peninsula Wall (Both sides)	FPW3XLB	FPW3XRB	FPW3XBB	Peninsula Base (Both sides)	FPB3XLB	FPB3XRB	FPB3XBB
Vanity	FV3XL	FV3XR	FV3XB								

Integrated Extended Stile



Base

BG3 XB
BG3 XR or L

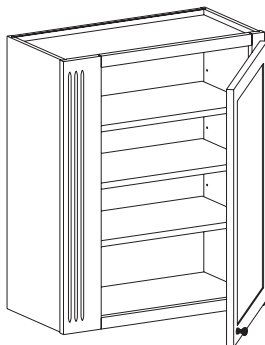
Wall

WG3 XB
WG3 XR or L

- Specify R or L
- 3" integrated extended stiles are available. Stiles may be extended left, right or both. Consult option availability chart (XSG) for your desired cabinet
- Deluxe Roll-out Trays (DXROT) *cannot* be added to base cabinets with this option
- WG3XB is *not* available on wall cabinets that have a built-in center stile
- Change Width (CW) option *not* available
- Change Height (CH) option *not* available
- Painted hardwood supplied for EverCore™
- Order Example: B12L-BG3XL. Order designation G3XL means 3" integrated extended stile left, overall cabinet width is 15"
- *Not* available to be used with Integrated Decorative Ends

PE	CH
APC	IF
APFC	TWR
FPEB	WR
MI	XS
DE	● XSG
OE	GD
AD_E	RTK
CW	RTKP
RD	TKD
ID	

Fluted Integrated Extended Stile



Base

FBG3 XB
FBG3 XR or L

Wall

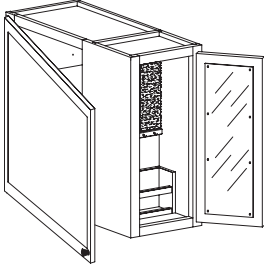
FWG3 XB
FWG3 XR or L

- Specify R or L
- 3" integrated extended stiles are available. Stiles may be extended left, right or both. Consult option availability chart (XSG) for your desired cabinet
- FBG3XB is *not* available on wall cabinets that have a built-in center stile
- Painted hardwood supplied for EverCore™
- Mesa and Montresano supplied plain sawn
- Change Width (CW) option *not* available
- Change Height (CH) option *not* available
- Order Example: B12L-FBG3XL. Order designation G3XL means 3" integrated extended stile left, overall cabinet width is 15"
- *Not* available to be used with Integrated Decorative Ends

PE	CH
APC	IF
APFC	TWR
FPEB	WR
MI	XS
DE	● XSG
OE	GD
AD_E	RTK
CW	RTKP
RD	TKD
ID	

Integrated Message Center - Wall

IMCW .R or L

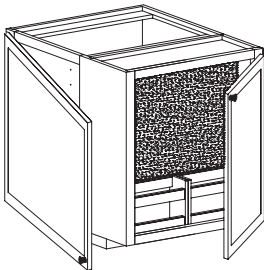


- Specify R or L
- Available on 12" deep cabinets only
- Available on cabinets 18" to 36" wide (30" - 36" wide cabinets **must** have BUTT doors)
- Available on cabinets 30", 33", 36", 39", and 42" high
- Message Center section is 6" wide (deep)
- Cabinet width remains the same, cabinet opening becomes 6" narrower
- Includes: Dry erase board, key hooks, cork board and Utensil organizer
- Cabinet construction defaults to All Plywood Furniture Construction (APFC) when this option is selected
- The overall width of a cabinet will increase by 1/16", when Integrated Message Center Wall is selected
- Rear frame stile on Integrated section is 2 1/2" wide

PE	CH
APC	IF
APFC	TWR
FPEB	WR
MI	XS
DE	XSG
OE	GD
AD_E	RTK
CW	RTKP
RD	TKD
ID	

Integrated Message Center - Base

IMCB .R or L

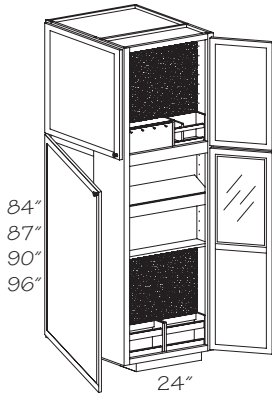


- Specify R or L
- Available on 24" deep cabinets only
- Available on cabinets 18" to 36" wide (30" - 36" wide cabinets **must** have BUTT doors)
- Available on 34 1/2" high cabinets
- Message Center section is 6" wide (deep)
- Cabinet width remains the same, cabinet opening becomes 6" narrower
- Includes cork board and two magazine racks (Magazine rack is built-in)
- Cabinet construction defaults to All Plywood Furniture Construction (APFC) when this option is selected
- The overall width of a cabinet will increase by 1/16", when Integrated Message Center Base is selected
- Rear frame stile on Integrated section is 2 1/2" wide

PE	CH
APC	IF
APFC	TWR
FPEB	WR
MI	XS
DE	XSG
OE	GD
AD_E	RTK
CW	RTKP
RD	TKD
ID	

Integrated Message Center - Utility

IMCU .R or L

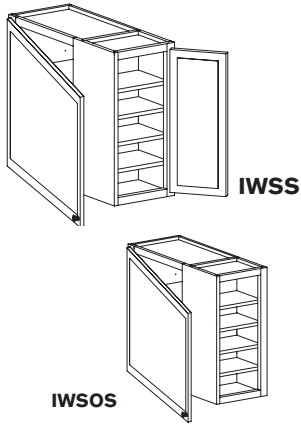


- Specify R or L
- Available on 24" deep cabinets only
- Available on cabinets 18" to 36" wide (30" - 36" wide cabinets **must** have BUTT doors)
- Available on 84", 87", 90", 93", and 96" high cabinets
- Message Center section is 6" wide (deep)
- Cabinet width remains the same, cabinet opening becomes 6" narrower
- Top section features: Key hooks, cork board and organizer unit
- Bottom section features: Dry erase board, cork board, 2 magazine racks, 1 shelf, charging station (two - three-prong and two USB outlets)
- Requires separate power source in bottom section
- Cabinet construction defaults to All Plywood Furniture Construction (APFC) when this option is selected
- The overall width of a cabinet will increase by 1/16", when Integrated Message Center Utility is selected
- Rear frame stile on Integrated section is 2 1/2" wide
- **Note:** Integrated Message Centers are only available on Utility (U) and Utility Stack (UST) cabinets

PE	CH
APC	IF
APFC	TWR
FPEB	WR
MI	XS
DE	XSG
OE	GD
AD_E	RTK
CW	RTKP
RD	TKD
ID	



Be sure to order a shelf kit that is 6" narrower (nominally) than the cabinet width when using Integrated Storage options. Order Example: U302484BUTT-IMCU.R requires a SK2424



Integrated Wall Spice Shelf and Open Integrated Storage

Integrated Spice Shelf Wall

IWSS .R or L

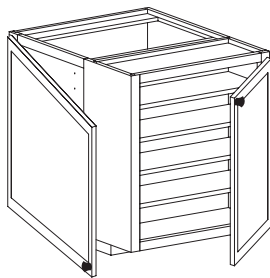
Open Integrated Storage

IWSOS .R or L

- Specify R or L
- Available on 12" deep cabinets only
- Available on cabinets 18" to 36" wide (30" - 36" wide cabinets **must** have BUTT doors)
- Available on cabinets 30", 33", 36", 39", and 42" high
- Spice Shelf and Open Integrated Storage section is 6" wide
- Cabinet width remains the same, cabinet opening becomes 6" narrower
- Cabinet construction defaults to All Plywood Furniture Construction (APFC) when this option is selected
- The overall width of a cabinet will increase by 1/16", when Integrated Wall Spice Shelf or Open Integrated Storage is selected
- Rear frame stile on Integrated section is 2 1/2" wide

PE	CH
APC	IF
APFC	TWR
FPEB	WR
MI	XS
DE	XSG
OE	GD
AD_E	RTK
CW	RTKP
RD	TKD
ID	

Integrated Base Spice Shelf

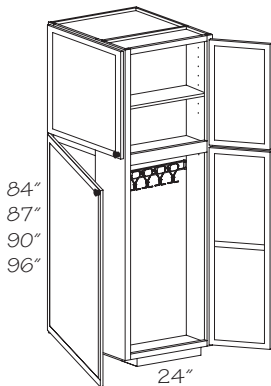


IBSS .R or L

- Specify R or L
- Available on 24" deep cabinets only
- Available on cabinets 18" to 36" wide (30" - 36" wide cabinets **must** have BUTT doors)
- Available on 34 1/2" high cabinets
- Cabinet width remains the same, cabinet opening becomes 6" narrower
- Cabinet construction defaults to All Plywood Furniture Construction (APFC) when this option is selected
- The overall width of a cabinet will increase by 1/16", when Integrated Base Spice Shelf is selected
- Rear frame stile on Integrated section is 2 1/2" wide

PE	CH
APC	IF
APFC	TWR
FPEB	WR
MI	XS
DE	XSG
OE	GD
AD_E	RTK
CW	RTKP
RD	TKD
ID	

Integrated Utility Cleaning Storage



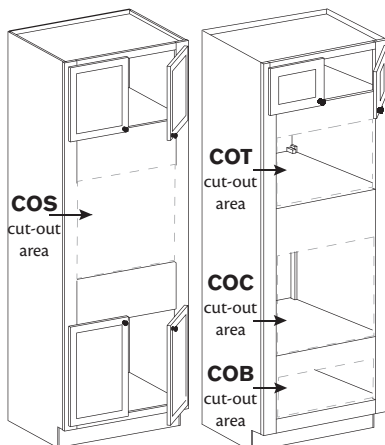
Utility Extended Bottom (UEB) shown

IUCS .R or L

- Specify R or L
- Available on 24" deep cabinets only
- Available on cabinets 18" to 36" wide (30" - 36" wide cabinets **must** have BUTT doors)
- Available on 84", 87", 90", 93", and 96" high cabinets
- Cleaning storage section is 6" wide (deep)
- Cabinet width remains the same, cabinet opening becomes 6" narrower
- Cabinet construction defaults to All Plywood Furniture Construction (APFC) when this option is selected
- The overall width of a cabinet will increase by 1/16", when Integrated Utility Cleaning Storage is selected
- Rear frame stile on Integrated section is 2 1/2" wide
- **Note:** Integrated Cleaning Supply only available with Utility Extended Bottom (UEB) cabinet

PE	CH
APC	IF
APFC	TWR
FPEB	WR
MI	XS
DE	XSG
OE	GD
AD_E	RTK
CW	RTKP
RD	TKD
ID	

Oven Cabinet Cut-out



Single cut-out

COS

Top cut-out

COT

Center cut-out

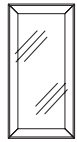
COC

Bottom cut-out

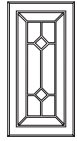
COB

- Cut-out (COS, COT, COC and COB) options help make appliance installations easier by eliminating required field-cuts to the cabinet face frame
- Cut-out Single (COS) is only available on Single and Double Oven cabinets (OC_S & OC_D) with one cutout opening. Examples: OC302484S-COS, OC332496D-COS
- Cut-out Top (COT), Cut-out Center (COC) and Cut-out Bottom (COB) is only available on Oven Cabinet Combination (OC_C)
- Cut-out Top (COT), Cut-out Center (COC) and Cut-out Bottom (COB) can be used together on the same cabinet - max dimensions will vary for Cut-out Center (COC) depending on the cut-out dimensions used on the top section (COT) - see min-max chart for details. Charts will be in the Tall Appliance Cabinet section
- Cut-out opening **cannot** exceed the maximum dimensions listed for each Oven Cabinet
- Change Width (CW) option **not** available

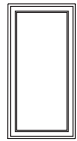
APC	IF
APFC	TWR
MI	WR
DE	XS
OE	XSG
AD_E	GD
CW	RTK
RD	RTKP
ID	TKD
CH	



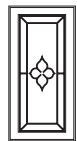
Aluminum Frame



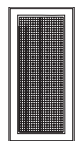
Cameo



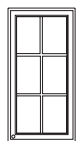
Classic



Etched



Layered



Mullion



Textured

Glass Door Inserts

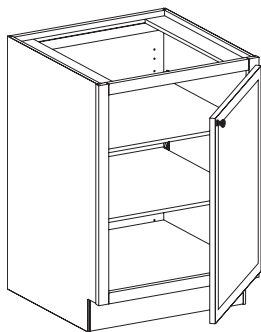
GD

- For complete listing of glass door specifications, see Decorative Doors and Inserts section
- Annealed Glass
Glass that has been cooled with precise control to relieve stress introduced by the manufacturing process. This annealing process makes the glass workable, i.e. easier to cut, machine, etc. Common household glass is annealed glass. It is NOT safety glass

PE	CH
APC	IF
APFC	TWR
FPEB	WR
MI	XS
DE	XSG
OE	GD
AD_E	RTK
CW	RTKP
RD	TKD
ID	

- Laminated Safety Glass
When broken, laminated safety glass is held together by the adhesives that are used in the manufacturing process. This generally helps keep large pieces of glass from falling from the opening. Nevertheless, small pieces and/or chips may still fall, and the precise size of pieces of glass that will break is difficult to identify and describe
- Tempered Glass
Tempering uses either a thermal or chemical process to quickly harden the glass, which compresses its surface. Compressing the surface increases the amount of tensile stress that can be endured before breakage occurs. When it does break, tempered glass generally breaks into very small pieces
- Note:** Most doors (12" or wider and up to 62" high) can be supplied prepared for glass, with glass inserts, Mullion glass or Aluminum Frame doors

Full-Height Doors

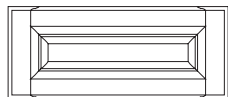


- FHB** Full Height Both Sides (Peninsula cabinets only)
- FHK** Full Height Kitchen Side (Standard and peninsula cabinets)
- FHP** Full Height Peninsula Side (Peninsula cabinets only)

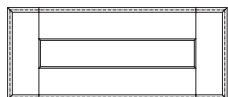
- This option is designed to replace a drawer and door combination with a full-height door. Any cabinet that has accessories in the top drawer, (Example: BCC36); or a stack of drawers next to door, (Example: VCD42) is **not** available in this option
- Available in select base, vanity and desk cabinets
- Change Width (CW) option **not** available
- Change Height (CH) option **not** available

PE	CH
APC	IF
APFC	TWR
FPEB	WR
MI	XS
DE	XSG
OE	GD
AD_E	RTK
CW	RTKP
RD	TKD
ID	

Deluxe Raised or Recessed Panel Drawer Front



Raised Panel



Recessed Panel

DRPD

- Converts standard drawer front to a five-piece design
- Available on Atticus, Burton, Cimmaron, Fairlane, Fox Court (Half & Full), Gallina, Ganon (Half & Full), Mesa, Montresano, Rockwell, Townley and Turner. Reference the door style section for specific details on drawer front design by size

PE	CH
APC	IF
APFC	TWR
FPEB	WR
MI	XS
DE	XSG
OE	GD
AD_E	RTK
CW	RTKP
RD	TKD
ID	

Classic Drawer Front

CLDF

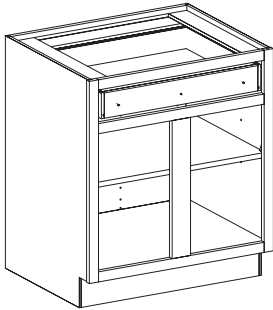


- Available on Capri White, Coleson, Jade, Martel (Half & Full), Savona White, Sawyer and Sylvan

PE	CH
APC	IF
APFC	TWR
FPEB	WR
MI	XS
DE	XSG
OE	GD
AD_E	RTK
CW	RTKP
RD	TKD
ID	

Void All Doors and Drawer Fronts

VDA

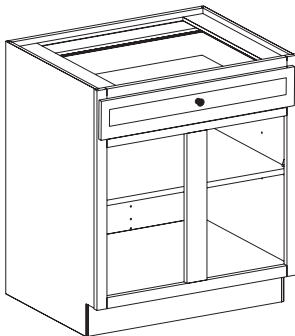


- All cabinets can be ordered with VDA. This option removes all doors and drawer fronts. Drawer boxes remain. Hinges are **not** included
- **Note:** VDA only removes doors and drawer fronts. Tambour units, panels and center stiles will still be attached

PE	CH
APC	IF
APFC	TWR
FPEB	WR
MI	XS
DE	XSG
OE	GD
AD_E	RTK
CW	RTKP
RD	TKD
ID	

Void Doors Only

VDO

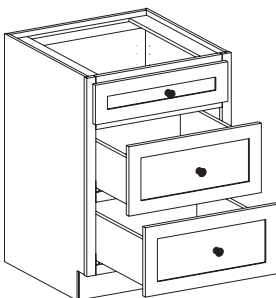


- Cabinets with a door and drawer combination may be ordered with VDO. This option removes all doors. Drawer fronts and boxes remain. Hinges are **not** included

PE	CH
APC	IF
APFC	TWR
FPEB	WR
MI	XS
DE	XSG
OE	GD
AD_E	RTK
CW	RTKP
RD	TKD
ID	

Void Top Drawer Box

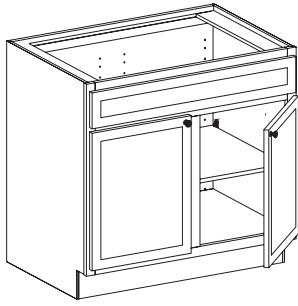
VTDW



- This option removes top drawer box and runner system on multi-drawer stacks
- Drawer fronts will be attached as a false front
- **Note:** This option will affect the top drawer only on a cabinet

PE	CH
APC	IF
APFC	TWR
FPEB	WR
MI	XS
DE	XSG
OE	GD
AD_E	RTK
CW	RTKP
RD	TKD
ID	

Void All Drawer Boxes

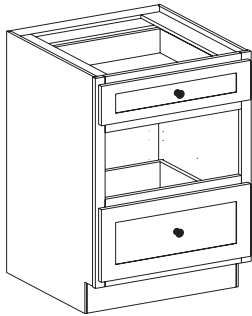


VDW

- This option removes all drawer boxes and runner systems
- Drawer fronts will be attached as a false front
- **Note:** This option will affect all drawers on a cabinet. You **cannot** specify single drawers on a multi-drawer cabinet

PE	CH
APC	IF
APFC	TWR
FPEB	WR
MI	XS
DE	XSG
OE	GD
AD_E	RTK
CW	RTKP
RD	TKD
ID	

Prep for Warming Drawer



PWD

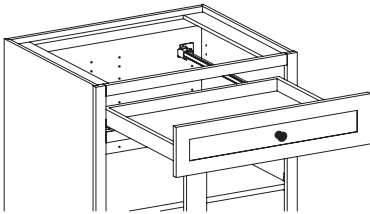
Cut out dimensions

Cabinet	Min Wd	Max Wd	Min Ht	Max Ht
BPPS24	21"	22½"	9½"	10"
BPPS27	24"	25½"	9½"	10"
BPPS30	27"	28½"	9½"	10"
BPPS33	30"	31½"	9½"	10"
BPPS36	36"	34½"	9½"	10"

- This option removes the center drawer box, drawer front and runner system of a BPPS to allow for field installation of a warming drawer only
- Check manufacturer's requirements before ordering
- Available on BPPS 24–36
- Order Example: BPPS 30-PWD

PE	CH
APC	IF
APFC	TWR
FPEB	WR
MI	XS
DE	XSG
OE	GD
AD_E	RTK
CW	RTKP
RD	TKD
ID	

Scoop Top Drawer

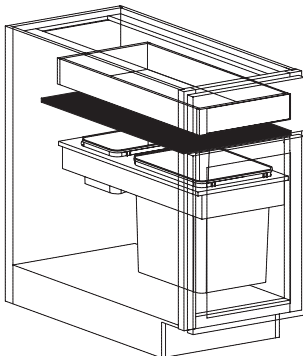


STDW

- Reduced height drawer box for top drawer of base cabinet only
- 4" high drawer box reduced to 2 1/4" solid wood
- 7" high drawer box reduced to 4" solid wood
- 11" high drawer box reduced to 7" plywood

PE	CH
APC	IF
APFC	TWR
FPEB	WR
MI	XS
DE	XSG
OE	GD
AD_E	RTK
CW	RTKP
RD	TKD
ID	

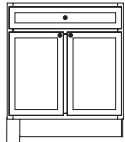
Wastebasket Drawer Partition



WDP

- Partition between the wastebasket and top drawer
- Available on all Wastebasket cabinets with a top drawer
- **Not** available with Integrated Decorative End (DE) Option
- **Not** available with Operational End Door (OE) option

PE	CH
APC	IF
APFC	TWR
FPEB	WR
MI	XS
DE	XSG
OE	GD
AD_E	RTK
CW	RTKP
RD	TKD
ID	

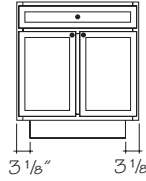
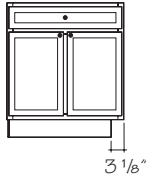


B30-RTKL
Recessed toe kick left

Recessed Toe Kick

- RTKB** Both
- RTKL** Left
- RTKR** Right

B30-RTKR
Recessed toe kick right



B30-RTKB
Recessed toe kick both

- Most Base, Tall and Vanity cabinets can be ordered with a recessed toe kick. Consult option availability chart for desired cabinet
- You **must** specify end or ends to receive recessed toe kick
- Painted hardwood supplied for EverCore™
- Additional bottom support is recommended when using RTKB on peninsula cabinets wider than 27"
- RTK and WR **not** available on same cabinet except when combining WR_K and RTKP options
- **Not** available on 93" and 96" high tall cabinets
- Change Width (CW) option **not** available
- Change Height (CH) option **not** available

PE	CH
APC	IF
APFC	TWR
FPEB	WR
MI	XS
DE	XSG
OE	GD
AD_E	● RTK
CW	RTKP
RD	TKD
ID	



We recommend Recessed Toe Kicks (RTKR or RTKL) on base cabinets at the end of peninsula runs or island applications.

Recessed Toe Kick Peninsula



RTKP



RTKPB



RTKPL



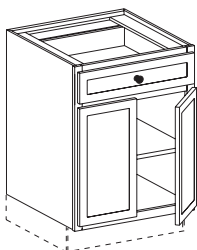
RTKPR

- RTKP** Back
- RTKPB** Back and both sides
- RTKPL** Back and left side
- RTKPR** Back and right side

- Select Base and Office Cabinets may be ordered with a Recessed Toe Kick on the back (Peninsula) side. Consult option availability chart for desired cabinet
- You **must** specify end or ends to receive Recessed Toe Kick Peninsula
- Painted hardwood supplied for EverCore™
- Additional bottom support is recommended when using RTKPB on cabinets wider than 27"
- RTK and WR **not** available on same cabinet except when combining WR_K and RTKP options
- **Not** available on cabinets less than 21" deep
- Change Width (CW) option **not** available
- Change Height (CH) option **not** available

PE	CH
APC	IF
APFC	TWR
FPEB	WR
MI	XS
DE	XSG
OE	GD
AD_E	RTK
CW	● RTKP
RD	TKD
ID	

Void Toe Kick



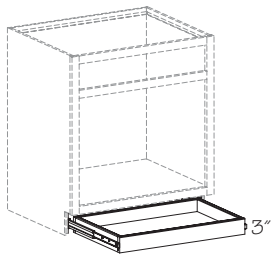
VTK

- Select Base, Tall, Office, Furniture and Vanity Cabinets may be ordered without the toe kick
- Allows decorative feet to be used under cabinet
- Decorative feet or legs should support the cabinet by way of the end panels, **not** the cabinet floor
- Full overlay door styles are **not** to be placed directly on the floor
- Cabinets are **not** intended to be free-standing units, they **must** be attached to a wall stud or anchored to the floor to achieve sufficient stability
- **Not** available on Universal Access cabinets
- **Not** available on 93" and 96" high tall cabinets
- **Not** available with Wide Rail (WR) option
- **Not** available on cabinets with a decorative toe kick

PE	CH
APC	IF
APFC	TWR
FPEB	WR
MI	XS
DE	XSG
OE	GD
AD_E	RTK
CW	RTKP
RD	TKD
ID	

Toe Kick Drawer

TKD



- Available on cabinets 12" to 42" wide
- Available on cabinets 18" to 24" deep
- **Not** available on 93" and 96" Utility cabinets
- **Not** available with the following cabinet types: Wall cabinets, corner cabinets, angled cabinets, CoreGuard Sink Base, Passport cabinets
- **Cannot** be used with Operational Ends (OE)
- Push-to-open side-mount drawer runners (does **not** include soft-close) - with 100 pound weight capacity
- Drawer box is 3" high - 3/4" thick front, back and sides
- Drawer has 2 3/4" clearance to bottom of cabinet face frame
- Do **not** use the Toe Kick Drawer as a stepping platform
- 7/8" clearance between the bottom of the end panel to the bottom of the drawer box
- Matching Toe Kick required - field trimmed/installed
- **Cannot** be used where obstacles protrude from the floor
- **Note:** Toe kick lighting **must** be recessed behind the cabinet with Toe Kick Drawers

PE	CH
APC	IF
APFC	TWR
FPEB	WR
MI	XS
DE	XSG
OE	GD
AD_E	RTK
CW	RTKP
RD	● TKD
ID	

Wall Cabinets

Construction Options and Modifications

WR	30	12
code	width	height

- ❖ Included as standard
- Available with an upcharge
- ☆ Available with exceptions
- (Blank) **Not** available

- PE Plywood Ends
- APC All Plywood Construction
- APFC All Plywood Furniture Construction
- FPEB Furniture Plywood Ends
- MI Matching Interior
- DE Integrated Decorative End
- OE Operational End
- AD_E Attached Decorative End
- CW Change Width
- RD Reduced Depth
- ID Increased Depth
- CH Change Height
- TWR Top Wide Rail
- XS Extended Stile
- XSG Integrated Extended Stile
- GD Glass Doors

Note: Standard wall cabinet box depth is 12" unless stated otherwise. Add door thickness with bumpers for total depth.

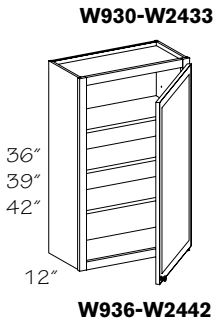
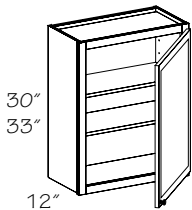
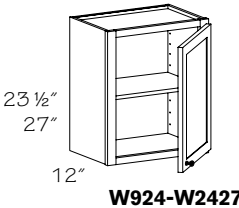
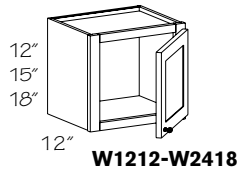
Note: Wall cabinets with standard matching printed woodgrain laminate interior, or Wall cabinets ordered with matching printed woodgrain laminate interior option will be supplied with Natural Birch exterior material. Wall cabinets with standard matching interior, Wall cabinets ordered with APC, FPEB or APF, or Wall cabinets ordered with MIP, MIFP, MIAPFC will have exterior floors and ceilings that are finished to match.

Caution: Installation of a wall cabinet 30" or wider requires additional support, such as attachment to a soffit, or support from below. Failure to provide additional support could result in collapse of the cabinet, serious personal injury, or property damage. Damage relating to failure to provide additional support is **not** covered by the limited warranty. See inside cover for warranty details

Material dimensions listed may vary slightly from actual dimensions of the product.

Specifications subject to change without notice.

Wall Single Door 12"-42" H



- | | | |
|---|---|--|
| <p>No shelf
12" High</p> <ul style="list-style-type: none"> □ W1212 R or L □ W1512 R or L □ W1812 R or L □ W2112 R or L | <p>One shelf
27" High</p> <ul style="list-style-type: none"> ▲□ W1527 R or L ▲□ W1827 R or L ▲□ W2427 R or L | <p>Three shelves
36" High</p> <ul style="list-style-type: none"> ※○+ W936 R or L ▲ W1236 R or L ▲ W1536 R or L ▲ W1836 R or L ▲ W2136 R or L ▲ W2436 R or L |
| <p>No shelf
15" High</p> <ul style="list-style-type: none"> □ W1215 R or L □ W1515 R or L □ W1815 R or L □ W2115 R or L | <p>Two shelves
30" High</p> <ul style="list-style-type: none"> ※○+ W930 R or L ▲ W1230 R or L ▲ W1530 R or L ▲ W1830 R or L ▲ W2130 R or L ▲ W2430 R or L | <p>Three shelves
39" High</p> <ul style="list-style-type: none"> ※○+▲ W939 R or L ▲ W1239 R or L ▲ W1539 R or L ▲ W1839 R or L ▲ W2139 R or L ▲ W2439 R or L |
| <p>No shelf
18" High</p> <ul style="list-style-type: none"> □ W1218 R or L □ W1518 R or L □ W1818 R or L □ W2118 R or L □ W2418 R or L | <p>Two shelves
33" High</p> <ul style="list-style-type: none"> ○+※ W933 R or L ▲ W1233 R or L ▲ W1533 R or L ▲ W1833 R or L ▲ W2133 R or L ▲ W2433 R or L | <p>Three shelves
42" High</p> <ul style="list-style-type: none"> ※○+▲ W942 R or L ▲ W1242 R or L ▲ W1542 R or L ▲ W1842 R or L ▲ W2142 R or L ▲ W2442 R or L |
| <p>One shelf
23 1/2" High</p> <ul style="list-style-type: none"> ○+※ W924 R or L ▲ W1224 R or L ▲ W1524 R or L ▲ W1824 R or L ▲ W2124 R or L ▲ W2424 R or L | | |

- Specify R or L for single door hinging
- Adjustable shelves
- ☆ Integrated Extended Stile (XSG) only available on cabinets 30" high or higher
- ☆ Operational End (OE) is **not** available with Increased Depth (ID) or Reduced Depth (RD) options



Tip: When mounting a 6" Spice Drawer (SD—) or Organizer (O—)

underneath a 23 1/2" cabinet next to a 30" high wall cabinet, the overall height will be 29 1/2". To correct this, you can place a piece of Stack Molding (STM8) or a 1/2" filler between the 23 1/2" cabinet and the 6" cabinet.



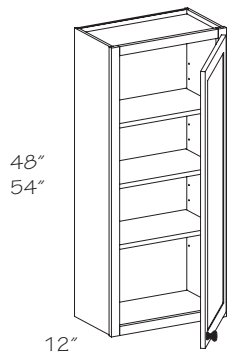
Remember, all 9" wide doors in 1/2" overlay will be square even for a roman door style. If a 9" cabinet is required, one suggestion is to void the door and order the cabinet with matching interior and use it as a decorative open cabinet.



Any wall cabinet over 24" wide or 30" high or higher with a depth greater than 12" and/or with butt doors **must** be installed between two (2) cabinets, a cabinet and a wall or supported from below

- PE
- APC
- APFC
- FPEB
- MI
- DE
- ☆ OE
- AD_E
- ☆ CW
- ☆ RD
- ☆ ID
- ☆ CH
- ☆ TWR
- XS
- ☆ XSG
- ☆ GD

- Change Height (CH) option **not** available
- Change Width (CW) option **not** available
- + Glass door option **not** available
- ※ Doors are square except full overlay arched door styles. Thermofoil doors will always be square. Vega doors will have a solid, recessed flat panel
- ▲ Top Wide Rail (TWR) option **not** available



Wall Single Door 48" and 54" H

Three shelves
48" High

- ※○+ **W948 R or L**
- W1248 R or L**
- W1548 R or L**
- W1848 R or L**
- W2148 R or L**
- W2448 R or L**

Four shelves
54" High

- ※○+ **W954 R or L**
- W1254 R or L**
- W1554 R or L**
- W1854 R or L**
- W2154 R or L**
- W2454 R or L**

※ Doors are square except full overlay arched door styles. Thermofoil doors will always be square. Vega doors will have a solid, recessed flat panel

- Change Width (CW) option **not** available
- + Glass door option **not** available

- Specify R or L for single door hinging
- Adjustable shelves
- Shelves shipped separately
- Available in full overlay door styles only
- ☆ **Not** available with Camed glass door (GD) option
- ☆ **Not** available with Mullion glass doors (GD) option
- ☆ Modern Frosted (MRT) and Moire (MOI) Glass Inserts **not** available on 54" H cabinets
- ☆ We recommend selecting the All Plywood Construction (APC) option when increasing depth beyond 15"
- ☆ Operational End (OE) is **not** available with Increased Depth (ID) or Reduced Depth (RD) options



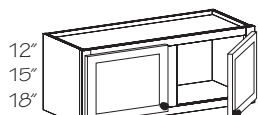
When using 48"–54" high cabinets or tall stacked cabinet combinations, remember to supply the best height Tall End Panel (TEP) for your design needs. Both 108" and 120" panels can be field cut to height requirements of your design



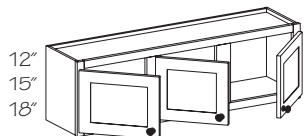
Any wall cabinet over 24" wide or 30" high or higher with a depth greater than 12" and/or with butt doors **must** be installed between two (2) cabinets, a cabinet and a wall or supported from below

●	PE
●	APC
●	APFC
●	FPEB
●	MI
●	DE
☆	OE
●	AD_E
☆	CW
☆	RD
☆	ID
●	CH
	TWR
●	XS
●	XSG
☆	GD

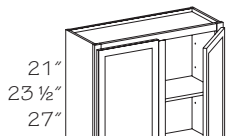
Wall Double Door 12"-42" H



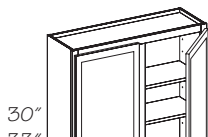
12" W2412BUTT-W4318



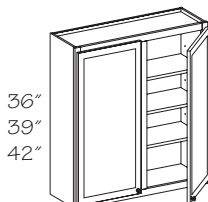
12" W4512-W4818



21" 23 1/2" 27" 12" W2721(Butt)-W3727 BUTT



30" 33" 12" W2430BUTT-W4833



36" 39" 42" 12" W2436 BUTT-W4842

- No shelf
12" High
- □ W2412 BUTT
 - W2712 (Butt)
 - W3012
 - W3012 BUTT
 - W3312
 - W3312 BUTT
 - W3412 BUTT
 - W3612
 - W3612 BUTT
 - ★ □ W3712 BUTT
 - ★ □ W3912
 - ★ □ W4212
 - ★ □ W4312
 - ★ ■ W4512
 - ★ ■ W4812

- No shelf
15" High
- W2415 BUTT
 - W2715 (Butt)
 - W3015
 - W3015 BUTT
 - W3315
 - W3315 BUTT
 - W3415 BUTT
 - W3615
 - W3615 BUTT
 - ★ □ W3715 BUTT
 - ★ W3915
 - ★ W4215
 - ★ □ W4315
 - ★ ■ W4515
 - ★ ■ W4815

- No shelf
18" High
- W2418 BUTT
 - W2718 (Butt)
 - W3018
 - W3018 BUTT
 - W3318
 - W3318 BUTT
 - W3418 BUTT
 - W3618
 - W3618 BUTT
 - ★ □ W3718 BUTT
 - ★ W3918
 - ★ W4218
 - ★ □ W4318
 - ★ ■ W4518
 - ★ ■ W4818

- One shelf
21" High
- W2721 (Butt)
 - W3021
 - W3021 BUTT
 - W3321
 - W3321 BUTT
 - W3421 BUTT
 - W3621
 - W3621 BUTT
 - ★ □ W3721 BUTT
 - ★ W3921
 - ★ W4221

○ Change Width (CW) option *not* available
 □ Change Height (CH) option *not* available
 ★ *Not* available in Increased Depth (ID)
 ■ Glass inserts *not* available on ends
 ▲ Top Wide Rail (TWR) option *not* available
 ★ Change Width (CW) option *not* available

- One shelf
23 1/2" High
- W2424 BUTT
 - W2724 (Butt)
 - W3024
 - W3024 BUTT
 - W3324
 - W3324 BUTT
 - W3424 BUTT
 - W3624
 - W3624 BUTT
 - ★ □ W3724 BUTT
 - ★ □ W3924
 - ★ W4224
 - ★ W4524
 - ★ W4824

- One shelf
27" High
- □ ▲ W2427 BUTT
 - □ ▲ W2727 (butt)
 - □ ▲ W3027
 - □ ▲ W3027 BUTT
 - □ ▲ W3327
 - □ ▲ W3327 BUTT
 - □ ▲ W3427 BUTT
 - □ ▲ W3627
 - □ ▲ W3627 BUTT
 - ★ □ ▲ W3727 BUTT

- Two Shelves
30" High
- W2430 BUTT
 - W2730 (Butt)
 - W3030
 - W3030 BUTT
 - W3330
 - W3330 BUTT
 - W3430 BUTT
 - W3630
 - W3630 BUTT
 - □ ★ W3730 BUTT
 - ★ W3930
 - ★ W4230
 - ★ W4530
 - ★ W4830

- Two Shelves
33" High
- ★ W2433 BUTT
 - ★ W2733 (Butt)
 - ★ W3033
 - ★ W3033 BUTT
 - ★ W3333
 - ★ W3333 BUTT
 - ★ W3633
 - ★ W3633 BUTT
 - ★ W3933
 - ★ W4233
 - ★ W4533
 - ★ W4833

- Three shelves
36" High
- W2436 BUTT
 - W2736 (Butt)
 - W3036
 - W3036 BUTT
 - W3336
 - W3336 BUTT
 - W3636
 - W3636 BUTT
 - ★ W3936
 - ★ W4236
 - ★ W4536
 - ★ W4836

- Three shelves
39" High
- ▲ W2439 BUTT
 - ▲ W2739 (Butt)
 - ▲ W3039
 - ▲ W3039 BUTT
 - ▲ W3339
 - ▲ W3339 BUTT
 - ▲ W3639
 - ▲ W3639 BUTT
 - ★ W3939
 - ★ W4239
 - ★ W4539
 - ★ W4839

- Three shelves
42" High
- ▲ W2442 BUTT
 - ▲ W2742 (Butt)
 - ▲ W3042
 - ▲ W3042 BUTT
 - ▲ W3342
 - ▲ W3342 BUTT
 - ▲ W3642
 - ▲ W3642 BUTT
 - ★ W3942
 - ★ W4242
 - ★ W4542
 - ★ W4842

- Adjustable shelves
- ☆ Integrated Extended Stile (XSG) only available on cabinets 30" high or higher
- ☆ Operational End (OE) is *not* available with Increased Depth (ID) or Reduced Depth (RD) options
- 33"-37" wide wall cabinets with BUTT doors have wood veneer plywood shelves

●	PE
●	APC
●	APFC
●	FPEB
●	MI
●	DE
●	OE
●	AD_E
☆	CW
☆	RD
☆	ID
☆	CH
☆	TWR
●	XS
☆	XSG
☆	GD



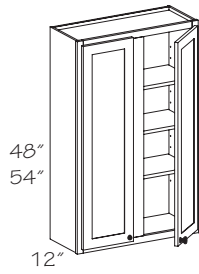
Remember, a cabinet designated BUTT or (Butt) has no center stile. When you see the word BUTT in all capitals, it *must* be included as part of your ordering nomenclature, a (Butt) in parentheses is for your information and isn't required on an order form



Any wall cabinet over 24" wide or 30" high or higher with a depth greater than 12" and/or with butt doors *must* be installed between two (2) cabinets, a cabinet and a wall or supported from below



Tip: When mounting a 6" Spice Drawer (SD—) or Organizer (O—) underneath a 23 1/2" cabinet next to a 30" high wall cabinet, the overall height will be 29 1/2". To correct this, you can place a piece of Stack Molding (STM8) or a 1/2" filler between the 23 1/2" cabinet and the 6" cabinet.



Wall Double Door 48" and 54" H

Three shelves
48" High

- ※○ **W2448 BUTT**
- W2748 (Butt)**
- W3048**
- W3048 BUTT**
- W3348**
- W3348 BUTT**
- W3648**
- W3648 BUTT**

Four shelves
54" High

- ※○ **W2454 BUTT**
- W2754 (Butt)**
- W3054**
- W3054 BUTT**
- W3354**
- W3354 BUTT**
- W3654**
- W3654 BUTT**

- ※ Doors are square except full overlay arched door styles. Thermofoil doors will always be square. Vega doors will have a solid, recessed flat panel
- Change Width (CW) option **not** available

- Adjustable shelves
- Shelves shipped separately
- Available in full overlay door styles only
- **Not** available with Mullion Strip Wall (MSW)
- ☆ **Not** available with Camed glass door (GD) option
- ☆ **Not** available with Mullion glass doors (GD) option
- ☆ Modern Frosted (MRT) and Moire (MOI) Glass Inserts **not** available on 54" H cabinets
- ☆ We recommend selecting the All Plywood Construction (APC) option when increasing depth beyond 15"
- ☆ Operational End (OE) is **not** available with Increased Depth (ID) or Reduced Depth (RD) options



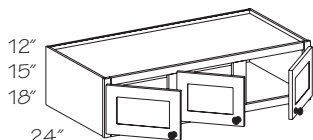
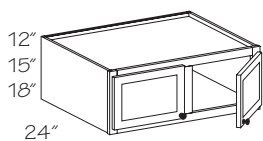
When using 48"-54" high cabinets or tall stacked cabinet combinations, remember to supply the best height Tall End Panel (TEP) for your design needs. Both 108" and 120" panels can be field cut to height requirements of your design



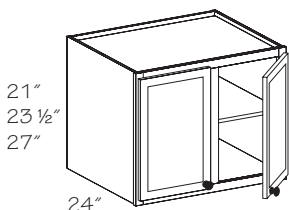
Any wall cabinet over 24" wide or 30" high or higher with a depth greater than 12" and/or with butt doors **must** be installed between two (2) cabinets, a cabinet and a wall or supported from below

●	PE
●	APC
●	APFC
●	FPEB
●	MI
●	DE
☆	OE
●	AD_E
☆	CW
☆	RD
☆	ID
●	CH
	TWR
●	XS
●	XSG
☆	GD

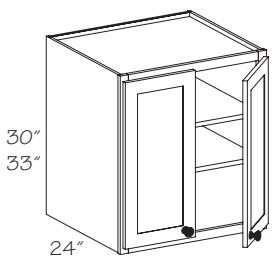
Wall Refrigerator 24" Deep



WR4512-WR4818



**WR3021-
WR3727 BUTT**



**WR2430 BUTT-
WR3633 BUTT**

- | | |
|--|---|
| <p><i>No shelf
12" High</i></p> <ul style="list-style-type: none"> <input type="checkbox"/> <input type="checkbox"/>+ WR2412 BUTT <input type="checkbox"/>+ WR2712 (Butt) <input type="checkbox"/>+ WR3012 <input type="checkbox"/>+ WR3012 BUTT <input type="checkbox"/>+ WR3312 <input type="checkbox"/>+ WR3312 BUTT <input type="checkbox"/> <input type="checkbox"/>+ WR3412 BUTT <input type="checkbox"/>+ WR3612 <input type="checkbox"/>+ WR3612 BUTT <input type="checkbox"/> <input type="checkbox"/>+ WR3712 BUTT <input type="checkbox"/>+ WR3912 <input type="checkbox"/>+ WR4212 <input type="checkbox"/> <input type="checkbox"/>+ WR4312 <input type="checkbox"/>+ WR4512 <input type="checkbox"/>+ WR4812 <p><i>No shelf
15" High</i></p> <ul style="list-style-type: none"> <input type="checkbox"/>+ WR2415 BUTT + WR2715 (Butt) + WR3015 + WR3015 BUTT + WR3315 + WR3315 BUTT <input type="checkbox"/> <input type="checkbox"/>+ WR3415 BUTT + WR3615 + WR3615 BUTT <input type="checkbox"/> <input type="checkbox"/>+ WR3715 BUTT + WR3915 + WR4215 <input type="checkbox"/> <input type="checkbox"/>+ WR4315 + WR4515 + WR4815 <p><i>No shelf
18" High</i></p> <ul style="list-style-type: none"> <input type="checkbox"/> WR2418 BUTT WR2718 (Butt) WR3018 WR3018 BUTT WR3318 WR3318 BUTT <input type="checkbox"/> WR3418 BUTT WR3618 WR3618 BUTT <input type="checkbox"/> WR3718 BUTT WR3918 WR4218 <input type="checkbox"/> WR4318 WR4518 WR4818 <p><i>One shelf
21" High</i></p> <ul style="list-style-type: none"> WR3021 WR3021 BUTT WR3321 <input type="checkbox"/> WR3421 BUTT WR3621 <input type="checkbox"/> WR3721 BUTT WR3921 WR4221 | <p><i>One shelf
23 1/2" High</i></p> <ul style="list-style-type: none"> <input type="checkbox"/> WR2424 BUTT WR2724 (Butt) WR3024 WR3024 BUTT WR3324 WR3324 BUTT <input type="checkbox"/> WR3424 BUTT WR3624 WR3624 BUTT <input type="checkbox"/> WR3724 BUTT WR3924 <p><i>One shelf
27" High</i></p> <ul style="list-style-type: none"> <input type="checkbox"/> <input type="checkbox"/> WR3027 <input type="checkbox"/> <input type="checkbox"/> WR3027 BUTT <input type="checkbox"/> <input type="checkbox"/> WR3327 <input type="checkbox"/> <input type="checkbox"/> WR3327 BUTT <input type="checkbox"/> <input type="checkbox"/> WR3427 BUTT <input type="checkbox"/> <input type="checkbox"/> WR3627 <input type="checkbox"/> <input type="checkbox"/> WR3627 BUTT <input type="checkbox"/> <input type="checkbox"/> WR3727 BUTT <p><i>Two shelves
30" High</i></p> <ul style="list-style-type: none"> <input type="checkbox"/> WR2430 BUTT WR2730 (Butt) WR3030 WR3030 BUTT WR3330 WR3330 BUTT <input type="checkbox"/> WR3430 BUTT WR3630 WR3630 BUTT <input type="checkbox"/> WR3730 BUTT <p><i>Two shelves
33" High</i></p> <ul style="list-style-type: none"> <input type="checkbox"/> WR2433 BUTT WR2733 (Butt) WR3033 WR3033 BUTT WR3333 WR3333 BUTT WR3633 WR3633 BUTT |
|--|---|

- Change Height (CH) option *not* available
- Change Width (CW) option *not* available
- + Attached Decorative Ends (AD_E) option *not* available
- ▲ Top Wide Rail (TWR) option *not* available

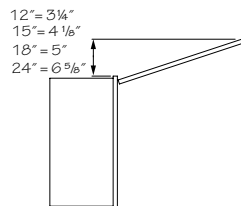
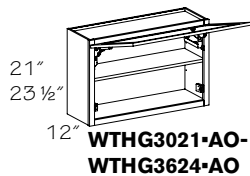
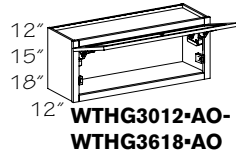
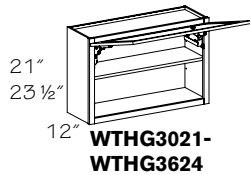
- Additional support required
- ☆ Integrated Extended Stile (XSG) only available on cabinets 30" high or higher
- ☆ Maximum Increased Depth (ID) for Wall Refrigerator cabinets is 27"
- 33"-37" wide wall cabinets with BUTT doors have wood veneer plywood shelves



When designing a built-in refrigerator area, remember that many side by side refrigerators measure up to 36" wide. If you have the extra space, it is recommended to use a 37" wide Wall Refrigerator (WR) cabinet to assure clearance for the appliance. Also, verify the height of the appliance to make sure you are using the correct Wall Refrigerator cabinet.

- PE
- APC
- APFC
- FPFB
- MI
- DE
- OE
- ☆ AD_E
- ☆ CW
- RD
- ☆ ID
- ☆ CH
- ☆ TWR
- XS
- ☆ XSG
- GD

Wall Top Hinge Cabinet 12" Deep



No shelf
12" High

WTHG1512
WTHG2412
WTHG3012
WTHG3612

No shelf
15" High

WTHG1515
WTHG2415
WTHG3015
WTHG3615

No shelf
18" High

WTHG1518
WTHG2418
WTHG3018
WTHG3618

One Shelf
21" High

WTHG3021
WTHG3621

One Shelf
23 1/2" High

WTHG1524
WTHG2424
WTHG3024
WTHG3624

With Auto-open Kit, No shelf
12" High

WTHG1512 .AO
WTHG2412 .AO
WTHG3012 .AO
WTHG3612 .AO

With Auto-open Kit, No shelf
15" High

WTHG1515 .AO
WTHG2415 .AO
WTHG3015 .AO
WTHG3615 .AO

With Auto-open Kit, No shelf
18" High

WTHG1518 .AO
WTHG2418 .AO
WTHG3018 .AO
WTHG3618 .AO

With Auto-open Kit, One Shelf
21" High

WTHG3021 .AO
WTHG3621 .AO

With Auto-open Kit, One Shelf
23 1/2" High

WTHG1524 .AO
WTHG2424 .AO
WTHG3024 .AO
WTHG3624 .AO

- Adjustable shelves
- Additional support is required
- Adjustable Soft-Close lift mechanism standard
- With the Auto-open Kit (AO), pressing lower corners of cabinet door triggers auto-open. Pressing a button on activator switch triggers auto-close. Doors can be operated manually if desired. Multiple units can also be synced to open and close simultaneously with the push of one button
- Auto-open Kit (AO) requires 110V power source, preferably above cabinet
- Auto-open Kit (AO) feature offers programmable stop
- Permaset bumpers are **not** included on doors ordered with the Auto-open Kit (AO)
- 30–36" wide wall cabinets have wood veneer plywood shelves
- ☆ Antiquity Glass Insert (ATQ) **not** available on 36" wide cabinet
- ☆ **Not** available with Crossroads (CRO), Modern Textured (MRT) and Moire (MOI) Glass Inserts
- ☆ Prep for Glass (DRS•PREP) **not** available
- ☆ **Not** available with Mullion glass doors (GD) option
- ☆ **Not** available with Camed glass door (GD) option
- Installation instructions supplied with Auto-open Kit (AO); read thoroughly
- **Note:** Auto-open Kit (AO) requires field installation
- **Note:** Square doors will be supplied when ordered in arched door styles
- **Note:** Wall Top Hinge (WTHG) and Wall Refrigerator Top Hinge (WRTHG) cabinets **cannot** be installed directly against the ceiling. Refer to the clearance diagram in this section



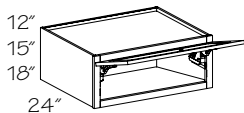
Tip: When mounting a 6" Spice Drawer (SD—) or Organizer (O—) underneath a 23 1/2" cabinet next to a 30" high wall cabinet, the overall height will be 29 1/2". To correct this, you can place a piece of Stack Molding (STM8) or a 1/2" filler between the 23 1/2" cabinet and the 6" cabinet.



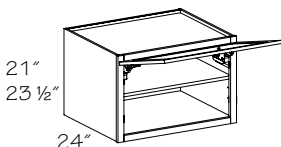
Any wall cabinet over 24" wide or 30" high or higher with a depth greater than 12" and/or with butt doors **must** be installed between two (2) cabinets, a cabinet and a wall or supported from below

●	PE
●	APC
●	APFC
●	FPEB
●	MI
●	DE
●	OE
●	AD_E
●	CW
●	RD
●	ID
●	CH
●	TWR
●	XS
●	XSG
☆	GD

Wall Refrigerator Top Hinge 24" Deep

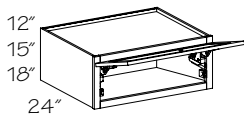


No shelf
12" High
+ **WRTHG3012**
+ **WRTHG3612**



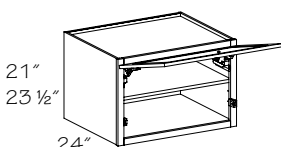
WRTHG3021-
WRTHG3624

No shelf
15" High
+ **WRTHG3015**
+ **WRTHG3615**



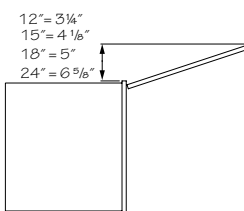
WRTHG3012-AO-
WRTHG3618-AO

No shelf
18" High
WRTHG3018
WRTHG3618



WRTHG3021-AO-
WRTHG3624-AO

One Shelf
21" High
WRTHG3021
WRTHG3621



One Shelf
23 1/2" High
WRTHG3024
WRTHG3624

With Auto-open Kit, No shelf
12" High
+ **WRTHG3012 .AO**
+ **WRTHG3612 .AO**

With Auto-open Kit, No shelf
15" High
+ **WRTHG3015 .AO**
+ **WRTHG3615 .AO**

With Auto-open Kit, No shelf
18" High
WRTHG3018 .AO
WRTHG3618 .AO

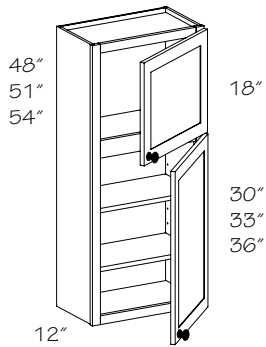
With Auto-open Kit, One Shelf
21" High
WRTHG3021 .AO
WRTHG3621 .AO

With Auto-open Kit, One Shelf
23 1/2" High
WRTHG3024 .AO
WRTHG3624 .AO

+ Attached Decorative Ends (AD_E) option **not** available

- Adjustable shelves
- Additional support is required
- With the Auto-open Kit (AO), pressing lower corners of cabinet door triggers auto-open. Pressing a button on activator switch triggers auto-close. Doors can be operated manually if desired. Multiple units can also be synced to open and close simultaneously with the push of one button
- Auto-open Kit (AO) requires 110V power source, preferably above cabinet
- Auto-open Kit (AO) feature offers programmable stop
- 30–36" wide wall cabinets have wood veneer plywood shelves
- Permaset bumpers are **not** included on doors ordered with the Auto-open Kit (AO)
- ☆ Antiquity Glass Insert (ATQ) **not** available on 36" wide cabinet
- ☆ Prep for Glass (DRS•PREP) **not** available
- ☆ **Not** available with Crossroads (CRO), Modern Textured (MRT) and Moire (MOI) Glass Inserts
- ☆ **Not** available with Mullion glass doors (GD) option
- ☆ **Not** available with Camed glass door (GD) option
- ☆ Minimum Reduced Depth (RD) is 12"
- Installation instructions supplied with Auto-open Kit (AO); read thoroughly
- Maximum Increased Depth (ID) for Wall Refrigerator cabinets is 27"
- **Note:** Auto-open Kit (AO) requires field installation
- **Note:** Square doors will be supplied when ordered in arched door styles
- **Note:** Wall Top Hinge (WTHG) and Wall Refrigerator Top Hinge (WRTHG) cabinets **cannot** be installed directly against the ceiling. Refer to the clearance diagram in this section

●	PE
●	APC
●	APFC
●	FPEB
●	MI
●	DE
●	OE
☆	AD_E
●	CW
☆	RD
●	ID
●	CH
●	TWR
●	XS
●	XSG
☆	GD



Wall Stack Cabinet 48", 51" and 54" H

Two shelves
48" High

- *○+ **WST948 R or L**
- WST1248 R or L**
- WST1548 R or L**
- WST1848 R or L**
- WST2148 R or L**
- WST2448 R or L**
- **WST2448 BUTT**
- WST2748 (Butt)**
- WST3048**
- WST3048 BUTT**
- WST3348**
- WST3348 BUTT**
- WST3648**
- WST3648 BUTT**

Two shelves
51" High

- *○+ **WST951 R or L**
- WST1251 R or L**
- WST1551 R or L**
- WST1851 R or L**
- WST2151 R or L**
- WST2451 R or L**
- **WST2451 BUTT**
- WST2751 (Butt)**
- WST3051**
- WST3051 BUTT**
- WST3351**
- WST3351 BUTT**
- WST3651**
- WST3651 BUTT**

Three shelves
54" High

- *○+ **WST954 R or L**
- WST1254 R or L**
- WST1554 R or L**
- WST1854 R or L**
- WST2154 R or L**
- WST2454 R or L**
- **WST2454 BUTT**
- WST2754 (Butt)**
- WST3054**
- WST3054 BUTT**
- WST3354**
- WST3354 BUTT**
- WST3654**
- WST3654 BUTT**

- * Doors are square except full overlay arched door styles. Thermofoil doors will always be square. Vega doors will have a solid, recessed flat panel
- Change Width (CW) option **not** available
- + Glass door option **not** available

- Specify R or L for single door hinging
- Two vertical compartments with fixed rail and floor
- Bottom shelves are adjustable
- Shelves shipped separately
- Bottom door is always square
- **Not** available with Mullion Strip Wall (MSW)
- ☆ Integrated Decorative End (DE) option is available in full overlay door styles only
- ☆ Glass on top and bottom - select glass designs only
- ☆ Maximum Increased Depth (ID) is 15"
- ☆ Operational End (OE) is **not** available with Increased Depth (ID) or Reduced Depth (RD) options



When using 48"-54" high cabinets or tall stacked cabinet combinations, remember to supply the best height Tall End Panel (TEP) for your design needs. Both 108" and 120" panels can be field cut to height requirements of your design



Any wall cabinet over 24" wide or 30" high or higher with a depth greater than 12" and/or with butt doors **must** be installed between two (2) cabinets, a cabinet and a wall or supported from below

●	PE
●	APC
●	APFC
●	FPEB
●	MI
☆	DE
☆	OE
●	AD_E
☆	CW
☆	RD
☆	ID
	CH
	TWR
●	XS
●	XSG
☆	GD

Peninsula Wall Cabinets

Construction Options and Modifications

- ❖ Included as standard
- Available with an upcharge
- ☆ Available with exceptions
- (Blank) **Not** available

- PE Plywood Ends
- APC All Plywood Construction
- APFC All Plywood Furniture Construction
- FPEB Furniture Plywood Ends
- MI Matching Interior
- DE Integrated Decorative End
- AD_E Attached Decorative End
- CW Change Width
- RD Reduced Depth
- ID Increased Depth
- CH Change Height
- TWR Top Wide Rail
- XS Extended Stile
- XSG Integrated Extended Stile
- GD Glass Doors

PW	33	30
code	width	height

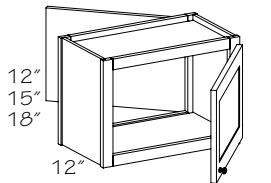
When BUTT is in all capitals, it **must** be included as part of your ordering nomenclature. A (Butt) in parentheses is for your information and isn't required on an order form.

Material dimensions listed may vary slightly from actual dimensions of the product.

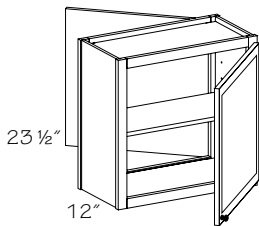
Specifications subject to change without notice.

Note: Peninsula wall cabinets **must** be installed against soffit, ceiling or supported by countertop.

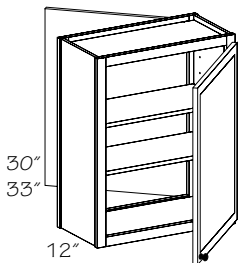
Peninsula Wall Single Door



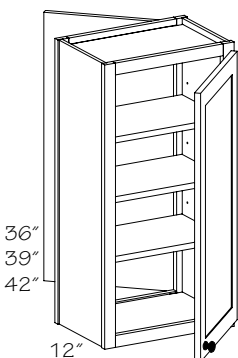
PW1212-PW2118



PW1224-PW2424



PW930-PW2433



PW936-PW2442

No Shelf
12" High

- PW1212 R or L ※○+
- PW1512 R or L
- PW1812 R or L
- PW2112 R or L

No Shelf
15" High

- PW1215 R or L
- PW1515 R or L

- PW1815 R or L ※○+
- PW2115 R or L

No Shelf
18" High

- PW1218 R or L
- PW1518 R or L
- PW1818 R or L
- PW2118 R or L

One Shelf
23 1/2" High

- ※○+ PW1224 R or L
- PW1524 R or L
- PW1824 R or L
- PW2124 R or L
- PW2424 R or L

Two shelves
30" High

- ※○+ PW930 R or L
- PW1230 R or L
- PW1530 R or L
- PW1830 R or L
- PW2130 R or L
- PW2430 R or L

Two shelves
33" High

- PW933 R or L
- PW1233 R or L
- PW1533 R or L
- PW1833 R or L
- PW2133 R or L
- PW2433 R or L

Three shelves
36" High

- ※○+ PW936 R or L
- PW1236 R or L
- PW1536 R or L
- PW1836 R or L
- PW2136 R or L
- PW2436 R or L

Three shelves
39" High

- ※○+ PW939 R or L
- PW1239 R or L
- PW1539 R or L
- PW1839 R or L
- PW2139 R or L
- PW2439 R or L

Three shelves
42" High

- ※○+ PW942 R or L
- PW1242 R or L
- PW1542 R or L
- PW1842 R or L
- PW2142 R or L
- PW2442 R or L

- Specify R or L for door hinging on kitchen side
- Right shown
- Adjustable shelves
- Frame backs are **not** finished



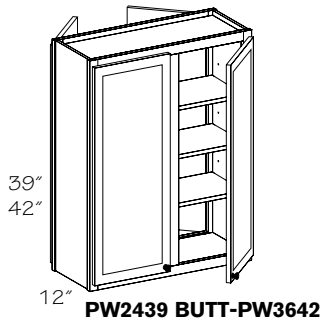
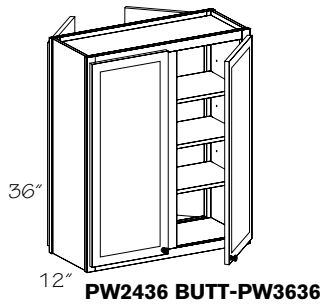
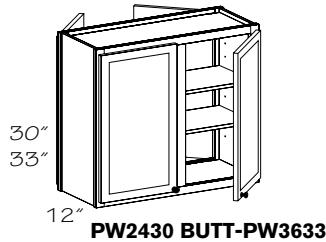
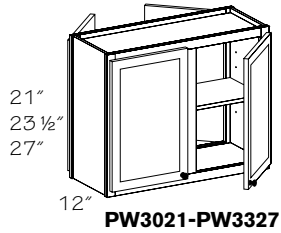
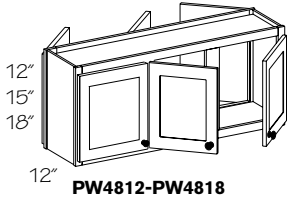
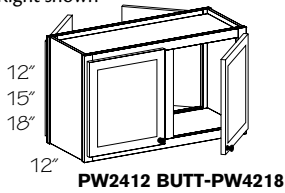
Any wall cabinet over 24" wide or 30" high or higher with a depth greater than 12" and/or with butt doors **must** be installed between two (2) cabinets, a cabinet and a wall or supported from below

- PE
- APC
- APFC
- FPEB
- MI
- DE
- AD_E
- CW
- RD
- ID
- ☆ CH
- TWR
- XS
- XSG
- ☆ GD

- Change Height (CH) option **not** available
- ※ Doors are square except full overlay arched door styles. Thermofoil doors will always be square. Vega doors will have a solid, recessed flat panel
- Change Width (CW) option **not** available
- + Glass door option **not** available

Peninsula Wall Double Door

Right shown



- | | |
|---|---|
| <p><i>No shelf
12" High</i></p> <ul style="list-style-type: none"> <input type="checkbox"/> PW2412 BUTT <input type="checkbox"/> PW2712 (Butt) <input type="checkbox"/> PW3012 <input type="checkbox"/> PW3312 <input type="checkbox"/> PW3612 <input checked="" type="checkbox"/> PW3912 <input checked="" type="checkbox"/> PW4812 <p><i>No shelf
15" High</i></p> <ul style="list-style-type: none"> <input type="checkbox"/> PW2415 BUTT <input type="checkbox"/> PW2715 (Butt) <input type="checkbox"/> PW3015 <input type="checkbox"/> PW3315 <input type="checkbox"/> PW3615 <input checked="" type="checkbox"/> PW3915 <input checked="" type="checkbox"/> PW4815 <p><i>No shelf
18" High</i></p> <ul style="list-style-type: none"> <input type="checkbox"/> PW2418 BUTT <input type="checkbox"/> PW2718 (Butt) <input type="checkbox"/> PW3018 <input type="checkbox"/> PW3318 <input type="checkbox"/> PW3618 <input checked="" type="checkbox"/> PW3918 <input checked="" type="checkbox"/> PW4218 <input checked="" type="checkbox"/> PW4818 <p><i>One shelf
21" High</i></p> <ul style="list-style-type: none"> <input type="checkbox"/> PW3021 <input type="checkbox"/> PW3321 <input type="checkbox"/> PW3621 <p><i>One shelf
23 1/2" High</i></p> <ul style="list-style-type: none"> <input type="checkbox"/> PW2424 BUTT <input type="checkbox"/> PW2724 (Butt) <input type="checkbox"/> PW3024 <input type="checkbox"/> PW3324 <input type="checkbox"/> PW3624 <input checked="" type="checkbox"/> PW3924 <input checked="" type="checkbox"/> PW4224 <input checked="" type="checkbox"/> PW4524 <input checked="" type="checkbox"/> PW4824 <p><i>One shelf
27" High</i></p> <ul style="list-style-type: none"> <input type="checkbox"/> PW3027 <input type="checkbox"/> PW3327 <input type="checkbox"/> PW3627 | <p><i>Two shelves
30" High</i></p> <ul style="list-style-type: none"> <input type="checkbox"/> PW2430 BUTT <input type="checkbox"/> PW2730 (Butt) <input type="checkbox"/> PW3030 <input type="checkbox"/> PW3330 <input type="checkbox"/> PW3630 <input checked="" type="checkbox"/> PW3930 <input checked="" type="checkbox"/> PW4230 <input checked="" type="checkbox"/> PW4530 <input checked="" type="checkbox"/> PW4830 <p><i>Two shelves
33" High</i></p> <ul style="list-style-type: none"> <input type="checkbox"/> PW2433 BUTT <input type="checkbox"/> PW2733 (Butt) <input type="checkbox"/> PW3033 <input type="checkbox"/> PW3333 <input type="checkbox"/> PW3633 <p><i>Three shelves
36" High</i></p> <ul style="list-style-type: none"> <input checked="" type="checkbox"/> PW2436 BUTT <input checked="" type="checkbox"/> PW2736 (Butt) <input checked="" type="checkbox"/> PW3036 <input checked="" type="checkbox"/> PW3336 <input checked="" type="checkbox"/> PW3636 <p><i>Three shelves
39" High</i></p> <ul style="list-style-type: none"> <input checked="" type="checkbox"/> PW2439 BUTT <input checked="" type="checkbox"/> PW2739 (Butt) <input checked="" type="checkbox"/> PW3039 <input checked="" type="checkbox"/> PW3339 <input checked="" type="checkbox"/> PW3639 <p><i>Three shelves
42" High</i></p> <ul style="list-style-type: none"> <input type="checkbox"/> PW2442 BUTT <input type="checkbox"/> PW2742 (Butt) <input type="checkbox"/> PW3042 <input type="checkbox"/> PW3342 <input type="checkbox"/> PW3642 |
|---|---|

- Adjustable shelves
- Frame backs are **not** finished
- ☆ Glass inserts **not** available on ends



Any wall cabinet over 24" wide or 30" high or higher with a depth greater than 12" and/or with butt doors **must** be installed between two (2) cabinets, a cabinet and a wall or supported from below

●	PE
●	APC
●	APFC
●	FPEB
●	MI
●	DE
●	AD_E
☆	CW
●	RD
☆	ID
☆	CH
	TWR
●	XS
	XSG
☆	GD

- Change Width (CW) option **not** available
- Change Height (CH) option **not** available
- ★ **Not** available in Increased Depth (ID)
- ✦ Glass door option **not** available
- ☆ Change Width (CW) option **not** available

Wall Corner Cabinets

Construction Options and Modifications

PWBC	27	24
code	width	height

Material dimensions listed may vary slightly from actual dimensions of the product.

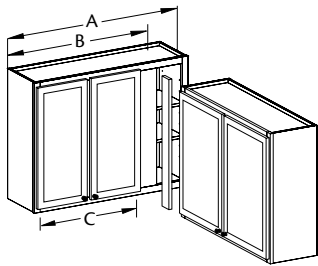
Specifications subject to change without notice.

- ❖ Included as standard
- Available with an upcharge
- ☆ Available with exceptions
- (Blank) **Not** available

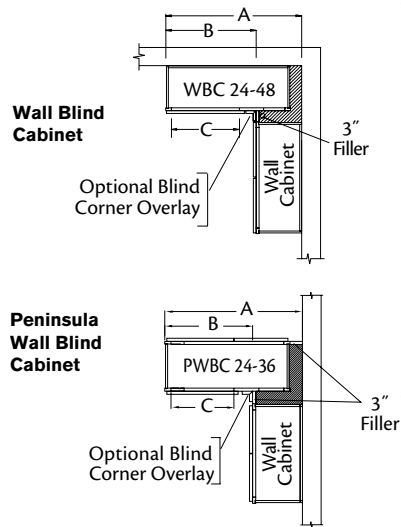
- PE Plywood Ends
- APC All Plywood Construction
- APFC All Plywood Furniture Construction
- FPEB Furniture Plywood Ends
- MI Matching Interior
- DE Integrated Decorative End
- OE Operational End
- AD_E Attached Decorative End
- CW Change Width
- RD Reduced Depth
- ID Increased Depth
- CH Change Height
- TWR Top Wide Rail
- XS Extended Stile
- XSG Integrated Extended Stile
- GD Glass Doors

Wall Blind Corner Cabinet Information

Right blind shown
R or L indicates blind

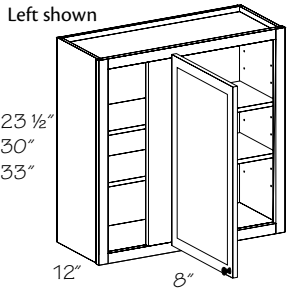


- All WBC24 and PWBC24 doors are square except full overlay arch door styles. Winterport Arch door styles are always square; Vega doors will have a solid, recessed flat panel
- All Wall Blind Corner cabinets **must** be pulled. Consult chart for pull dimensions and minimum wall space requirements
- Specify R or L; R or L indicates blind
- Door hinged on same side as blind on single door cabinets
- **Note:** A 3" Wall Filler (WF) is supplied and shipped separately with each Wall Blind Cabinet (WBC) ordered. A Wall Cabinet adjacent to WBC may be ordered with an extended stile in lieu of installing the supplied filler. Two 3" Wall Fillers are supplied with each Peninsula Wall Blind Corner (PWBC) ordered. Overlay Panel for Wall Blind Corner Cabinets (OPWBC) is recommended for full overlay door styles; see Wall Accessories section

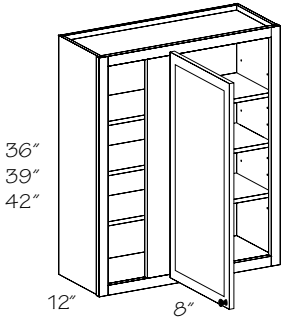


Cabinet	1/2" Overlay					Full Overlay						
	Wall Space "A"		Exposed Front "B"		Door Open "C"	Cab. Width	Wall Space "A"		Exposed Front "B"		Door Open "C"	Cab. Width
Min	Max	Min	Max		Min		Max	Min	Max			
P/WBC24	21 1/4"	24 3/4"	9 1/4"	12 3/4"	6"	21"	22"	24 3/4"	10"	12 3/4"	6"	21"
P/WBC27	24 1/4"	27 3/4"	12 1/4"	15 3/4"	9"	24"	25"	27 3/4"	13"	16 3/4"	9"	24"
P/WBC30	27 1/4"	30 3/4"	15 1/4"	18 3/4"	12"	27"	28"	30 3/4"	16"	19 3/4"	12"	27"
P/WBC33	30 1/4"	33 3/4"	18 1/4"	21 3/4"	15"	30"	31"	33 3/4"	19"	21 3/4"	15"	30"
P/WBC36	33 1/4"	36 3/4"	21 1/4"	24 3/4"	18"	33"	34"	36 3/4"	22"	24 3/4"	18"	33"
WBC39	36 1/4"	39 3/4"	24 1/4"	27 3/4"	21"	36"	37"	39 3/4"	25"	27 3/4"	21"	36"
WBC42	39 1/4"	42 3/4"	27 1/4"	30 3/4"	24"	39"	40"	42 3/4"	28"	30 3/4"	24"	39"
WBC45	42 1/4"	45 3/4"	30 1/4"	33 3/4"	(2) 12"	42"	43"	45 3/4"	31"	33 3/4"	(2) 12"	42"
WBC48	45 1/4"	48 3/4"	33 1/4"	36 3/4"	(2) 13 1/2"	45"	46"	48 3/4"	34"	36 3/4"	(2) 13 1/2"	45"

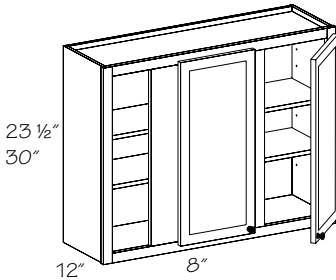
Wall Blind Corner 23 1/2"—42" H



WBC2724-WBC3933



WBC2436-WBC3942



WBC4224-WBC4830

Single Door
One shelf
23 1/2" High

- ※+ **WBC2724 R or L**
- ◆ **WBC3024 R or L**
- ◆ **WBC3324 R or L**
- ◆ **WBC3624 R or L**
- ◆ **WBC3924 R or L**

Single Door
Two shelves
30" High

- ※+ **WBC2430 R or L**
- ◆ **WBC2730 R or L**
- ◆ **WBC3030 R or L**
- ◆ **WBC3330 R or L**
- ◆ **WBC3630 R or L**
- ◆ **WBC3930 R or L**

Single Door
Two shelves
33" High

- ※+ **WBC2433 R or L**
- ★▲ **WBC2733 R or L**
- ★ **WBC3033 R or L**
- ★ **WBC3333 R or L**
- ★ **WBC3633 R or L**
- ★ **WBC3933 R or L**

Single Door
Three shelves
36" High

- ※+ **WBC2436 R or L**
- ★▲ **WBC2736 R or L**
- ★ **WBC3036 R or L**
- ★ **WBC3336 R or L**
- ★ **WBC3636 R or L**

Single Door
Three shelves
39" High

- ※+◆ **WBC2439 R or L**
- ◆ **WBC2739 R or L**
- ◆ **WBC3039 R or L**
- ◆ **WBC3339 R or L**
- ◆ **WBC3639 R or L**
- ◆ **WBC3939 R or L**

Single Door
Three shelves
42" High

- ※+◆ **WBC2442 R or L**
- ◆ **WBC2742 R or L**
- ◆ **WBC3042 R or L**
- ◆ **WBC3342 R or L**
- ◆ **WBC3642 R or L**
- ◆ **WBC3942 R or L**

Double Door
One shelf
23 1/2" High

- ★▲ **WBC4224 R or L**
- ★ **WBC4524 R or L**
- ★ **WBC4824 R or L**

Double Door
Two shelves
30" High

- ★▲ **WBC4230 R or L**
- ★ **WBC4530 R or L**
- ★ **WBC4830 R or L**

- Specify R or L; R or L indicates blind
- Adjustable shelves
- Overlay Panel for Wall Blind Corner Cabinet (OPWBC) is recommended for full overlay door styles and **must** be ordered separately; see Base Accessories Section



Remember to order Flush Finished Blind (FFB) on a Wall Blind Corner (WBC) if the adjacent cabinet is shorter than the WBC.



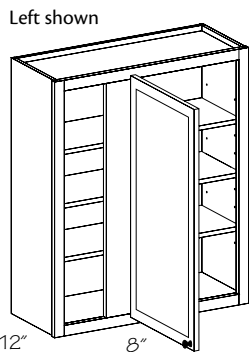
Any wall cabinet over 24" wide or 30" high or higher with a depth greater than 12" and/or with butt doors **must** be installed between two (2) cabinets, a cabinet and a wall or supported from below

- PE
- APC
- APFC
- FPFB
- MI
- DE
- OE
- AD_E
- CW
- RD
- ☆ ID
- CH
- ☆ TWR
- XS
- XSG
- ☆ GD

※ Doors are square except full overlay arched door styles. Thermofoil doors will always be square. Vega doors will have a solid, recessed flat panel

- + Glass door option **not** available
- ◆ Top Wide Rail (TWR) option **not** available
- ★ **Not** available in Increased Depth (ID)
- ▲ Two butt doors

Wall Blind Corner 48" and 54" H



Three shelves
48" High

- ※+ **WBC2448 R or L**
- ◆ **WBC2748 R or L**
- ◆ **WBC3048 R or L**
- ◆ **WBC3348 R or L**
- ◆ **WBC3648 R or L**
- ★ **WBC3948 R or L**

Four shelves
54" High

- ※+ **WBC2454 R or L**
- ◆ **WBC2754 R or L**
- ◆ **WBC3054 R or L**
- ◆ **WBC3354 R or L**
- ◆ **WBC3654 R or L**
- ★ **WBC3954 R or L**

※ Doors are square except full overlay arched door styles. Thermofoil doors will always be square. Vega doors will have a solid, recessed flat panel

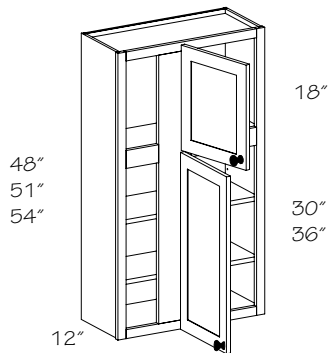
- + Glass door option **not** available
- ★ **Not** available in Increased Depth (ID)

- Specify R or L; R or L indicates blind
- Adjustable shelves
- Shelves shipped separately
- Available in full overlay door styles only
- Overlay Panel for Wall Blind Corner Cabinet (OPWBC) is recommended for full overlay door styles and **must** be ordered separately; see Base Accessories Section

- ☆ Maximum Increased Depth (ID) is 15"
- ☆ **Not** available with Camed glass door (GD) option
- ☆ **Not** available with Mullion glass doors (GD) option
- ☆ Modern Frosted (MRT) and Moire (MOI) Glass Inserts **not** available on 54" H cabinets

- PE
- APC
- APFC
- FPFB
- MI
- DE
- OE
- AD_E
- CW
- RD
- ☆ ID
- CH
- ☆ TWR
- XS
- XSG
- ☆ GD

Wall Blind Corner Stack



Two shelves
48" High

- *+ **WBCST2448 R or L**
- WBCST2748 R or L**
- WBCST3048 R or L**
- WBCST3348 R or L**
- WBCST3648 R or L**
- * **WBCST3948 R or L**

Two shelves
51" High

- *+ **WBCST2451 R or L**
- WBCST2751 R or L**
- WBCST3051 R or L**
- WBCST3351 R or L**
- WBCST3651 R or L**
- * **WBCST3951 R or L**

Three shelves
54" High

- *+ **WBCST2454 R or L**
- WBCST2754 R or L**
- WBCST3054 R or L**
- WBCST3354 R or L**
- WBCST3654 R or L**
- * **WBCST3954 R or L**

* Doors are square except full overlay arched door styles. Thermofoil doors will always be square. Vega doors will have a solid, recessed flat panel

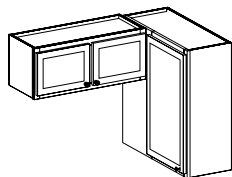
+ Glass door option **not** available

* **Not** available in Increased Depth (ID)

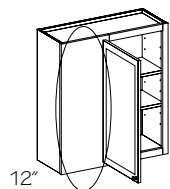
- Specify R or L; R or L indicates blind
- Two vertical compartments with fixed rail and floor
- Bottom shelves are adjustable
- Shelves shipped separately
- Bottom door is always square
- Overlay Panel for Wall Blind Corner Cabinet (OPWBC) is recommended for full overlay door styles and **must** be ordered separately; see Base Accessories Section
- ☆ Maximum Increased Depth (ID) is 15"
- ☆ Glass on top and bottom - select glass designs only

●	PE
●	APC
●	APFC
●	FPEB
●	MI
●	DE
●	OE
●	AD_E
●	CW
●	RD
☆	ID
☆	CH
☆	TWR
●	XS
●	XSG
☆	GD

Flush Finished Blind



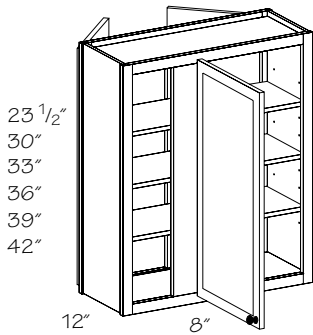
FFB



- Wall Blind Corner Cabinets (WBC) are available with Flush Finished Blind. Specify FFB
- Flush finished panel is solid wood
- Order Example: WBC 2430L-FFB

PE
APC
APFC
FPEB
MI
DE
OE
AD_E
CW
RD
ID
CH
TWR
XS
XSG
GD

Peninsula Wall Blind Corner



- One shelf
23 1/2" High
- * PWBC2724 R or L
- * PWBC3024 R or L
- PWBC3324 R or L
- PWBC3624 R or L
- Two shelves
30" High
- *▲+ PWBC2430 R or L
- * PWBC2730 R or L
- * PWBC3030 R or L
- PWBC3330 R or L
- PWBC3630 R or L
- Two shelves
33" High
- *▲+ PWBC2433 R or L
- * PWBC3033 R or L
- PWBC3633 R or L
- Three shelves
36" High
- *▲+ PWBC2436 R or L
- * PWBC3036 R or L
- PWBC3636 R or L
- Three shelves
39" High
- *▲+ PWBC2439 R or L
- PWBC3039 R or L
- PWBC3639 R or L
- Three shelves
42" High
- *▲+ PWBC2442 R or L
- * PWBC3042 R or L
- PWBC3642 R or L

- * Butt doors on peninsula side
- * Single door both sides
- ▲ Kitchen side door is square except full overlay arch door styles. Thermofoil door styles are always square. Vega doors will have a solid, recessed flat panel
- + Glass door option *not* available

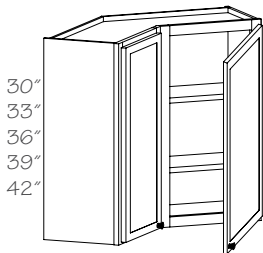
- Specify R or L; R or L indicates blind
- Left shown
- Adjustable shelves
- Frame backs are *not* finished
- See Wall Blind Corner (WBC) cabinet chart for cabinet specifications
- **Note:** Two 3" fillers included. Overlay Panel for Wall Blind Corner Cabinets (OPWBC) **must** be ordered separately; see Wall Accessories section



We recommend using Under Cabinet Panels (UCP) on all wall cabinet runs. This will give the kitchen an elegant finished look. Unless ordered with a matching wood veneer interior option, the under side of wall cabinets are a natural birch material.

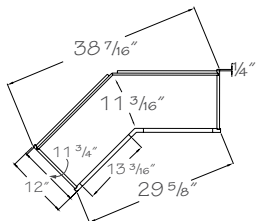
●	PE
●	APC
●	APFC
●	FPEB
●	MI
	DE
	OE
●	AD_E
	CW
●	RD
●	ID
●	CH
	TWR
●	XS
	XSG
☆	GD

135° Wall Inside Angle Corner Cabinet



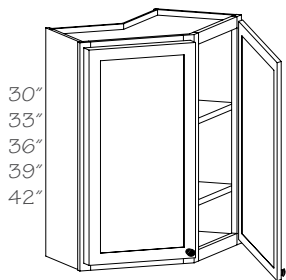
- Two shelves
- WIAC2130
- WIAC2133
- Three shelves
- WIAC2136
- WIAC2139
- WIAC2142

- Adjustable shelves
- Backs of cabinets are slightly recessed to allow for wall imperfections
- Shimming is required
- **Must** allow 21" of wall space



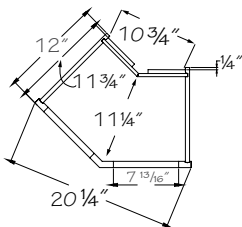
●	PE
●	APC
●	APFC
●	FPEB
●	MI
	DE
	OE
	AD_E
	CW
	RD
	ID
●	CH
●	TWR
●	XS
	XSG
●	GD

135° Wall Outside Angle Corner Cabinet



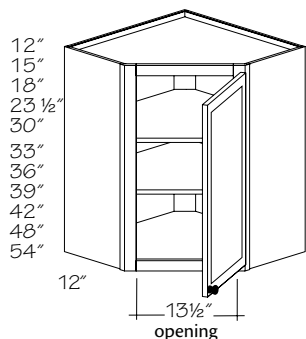
Two shelves
WOAC630
WOAC633
 Three shelves
WOAC636
WOAC639
WOAC642

- Adjustable shelves
- Backs of cabinets are slightly recessed to allow for wall imperfections
- Shimming is required
- **Must** allow 6" of wall space



●	PE
●	APC
●	APFC
●	FPEB
●	MI
	DE
	OE
	AD_E
	CW
	RD
	ID
●	CH
●	TWR
●	XS
	XSG
	GD

Wall Angle 12" Deep



12"
 15"
 18"
 23 1/2"
 30"
 33"
 36"
 39"
 42"
 48"
 54"

12"
 13 1/2" opening

No Shelf
 21" Wide

□ **WA2112 R or L**
WA2115 R or L
WA2118 R or L

* **WA2124 R or L**
 Two Shelves
 21" Wide

WA2130 R or L
WA2133 R or L

Three Shelves
 21" Wide

WA2136 R or L
WA2139 R or L
WA2142 R or L

▲* **WA2148 R or L**

Four Shelves
 21" Wide

▲* **WA2154 R or L**

No shelf
 24" Wide

□ **WA2412 R or L**
WA2415 R or L
WA2418 R or L

- Change Height (CH) option **not** available
- * Shelf is factory installed and **not** removable
- ▲ Available in full overlay door styles only
- ★ **Not** available with Mullion glass doors (GD) option

One shelf
 24" Wide

* **WA2424 R or L**
 Two shelves
 24" Wide

WA2430 R or L
WA2433 R or L

Three shelves
 24" Wide

WA2436 R or L
WA2439 R or L
WA2442 R or L

▲* **WA2448 R or L**

Four shelves
 24" Wide

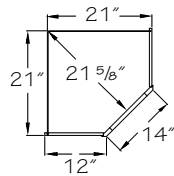
▲* **WA2454 R or L**

- Specify R or L for single door hinging
- Adjustable shelves
- ☆ Wall Top Wide Rail (WTWR) available on 12"-36" high cabinets only
- ☆ Modern Frosted (MRT) and Moire (MOI) Glass Inserts **not** available on 54" H cabinets
- **Note:** Full overlay door styles use a 1/2" overlay hinge

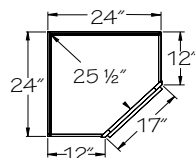


Do **not** design a corner cabinet adjacent to an object deeper than the end panel. The door of the corner cabinet may **not** function properly.

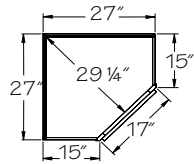
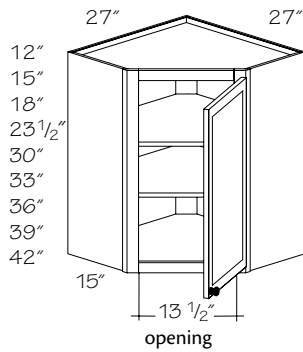
●	PE
●	APC
●	APFC
●	FPEB
●	MI
●	DE
●	OE
●	AD_E
	CW
	RD
	ID
☆	CH
☆	TWR
	XS
	XSG
☆	GD



WA21_



WA24_



Wall Angle 15" Deep

No shelf

- **WA2712 R or L**
- **WA2715 R or L**
- **WA2718 R or L**

One shelf

- * **WA2724 R or L**

Two shelves

- **WA2730 R or L**
- **WA2733 R or L**

Three shelves

- **WA2736 R or L**
- **WA2739 R or L**
- **WA2742 R or L**

- Change Height (CH) option **not** available
- * Shelf is factory installed and **not** removable

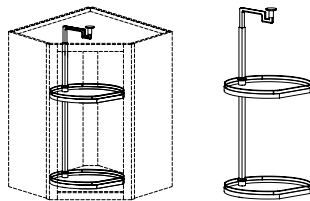
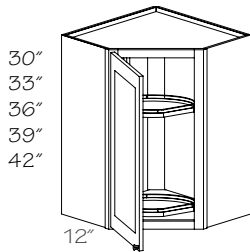
- Specify R or L for single door hinging
- Adjustable shelves
- Furniture Plywood Ends (FPEB) standard; recommended Matching Interior option is MIFP
- Flush Finished Ends standard
- ☆ APFC standard when APC option is selected
- **Note:** Full overlay door styles use a 1/2" overlay hinge



Full overlay doors on cabinets with an angled front are intentionally narrower to allow proper clearance of adjacent cabinets.

PE
● APC
☆ APFC
❖ FPEB
● MI
● DE
● OE
● AD_E
CW
RD
ID
☆ CH
● TWR
XS
XSG
● GD

Wall Angle Chrome Lazy Susan



Two shelves

- **WA2430 R or L.CLS**
- **WA2433 R or L.CLS**

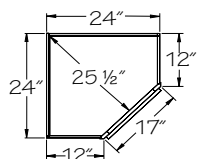
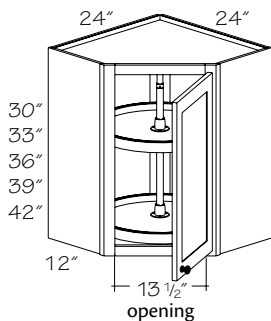
Three shelves

- **WA2436 R or L.CLS**
- **WA2439 R or L.CLS**
- **WA2442 R or L.CLS**

- Specify R or L for single door hinging
- 19 1/2" diameter rotating shelves
- Maximum weight per shelf is 18 lbs.
- Shelves rotate together
- **Note:** Full overlay door styles use a 1/2" overlay hinge

● PE
● APC
● APFC
● FPEB
● MI
● DE
● OE
☆ AD_E
CW
RD
ID
CH
TWR
XS
XSG
● GD

Wall Angle Wood Lazy Susan



Two shelves

- **WA2430 R or L.WLS**
- **WA2433 R or L.WLS**

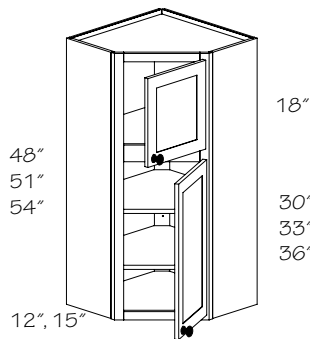
Three shelves

- **WA2436 R or L.WLS**
- **WA2439 R or L.WLS**
- **WA2442 R or L.WLS**

- Specify R or L for single door hinging
- 19 1/2" diameter rotating shelves
- Rotating shelves have plywood floor and solid wood trim
- **Note:** Full overlay door styles use a 1/2" overlay hinge

● PE
● APC
● APFC
● FPEB
● MI
● DE
● OE
● AD_E
CW
RD
ID
CH
TWR
XS
XSG
● GD

Wall Angle Stack



Two shelves
48" High

WAST2448 R or L

★ **WAST2748 R or L**

Two shelves
51" High

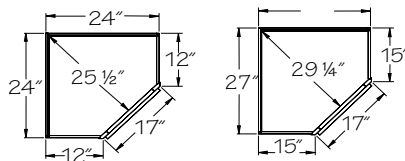
WAST2451 R or L

★ **WAST2751 R or L**

Three shelves
54" High

WAST2454 R or L

★ **WAST2754 R or L**



WA24

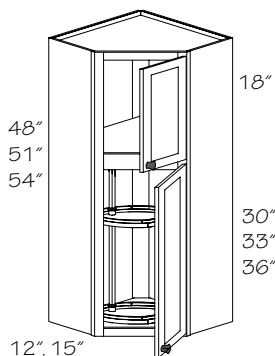
WA27

★ Furniture Plywood Ends (FPEB) standard; recommended Matching Interior option is MIFP

- Specify R or L for single door hinging
- Two vertical compartments with fixed rail and floor
- Bottom shelves are adjustable
- Shelves shipped separately
- Bottom door is always square
- ☆ Glass on top and bottom - select glass designs only
- **Note:** Full overlay door styles use a 1/2" overlay hinge

☆	PE
●	APC
●	APFC
☆	FPEB
●	MI
●	DE
●	OE
●	AD_E
●	CW
●	RD
●	ID
●	CH
●	TWR
●	XS
●	XSG
☆	GD

Wall Angle Chrome Lazy Susan Stack



48" High

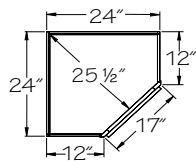
WAST2448 R or L.CLS

51" High

WAST2451 R or L.CLS

54" High

WAST2454 R or L.CLS

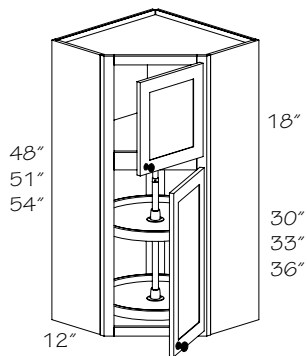


WA24

- Specify R or L for single door hinging
- 19 11/16" diameter rotating shelves
- Maximum weight per shelf is 18 lbs.
- Shelves rotate together
- Two vertical compartments with fixed rail and floor
- Bottom door is always square
- ☆ Glass on top and bottom - select glass designs only
- **Note:** Full overlay door styles use a 1/2" overlay hinge

●	PE
●	APC
●	APFC
●	FPEB
●	MI
●	DE
●	OE
●	AD_E
●	CW
●	RD
●	ID
●	CH
●	TWR
●	XS
●	XSG
☆	GD

Wall Angle Wood Lazy Susan Stack



48" High

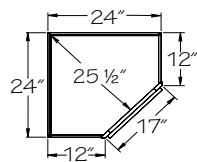
WAST2448 R or L.WLS

51" High

WAST2451 R or L.WLS

54" High

WAST2454 R or L.WLS

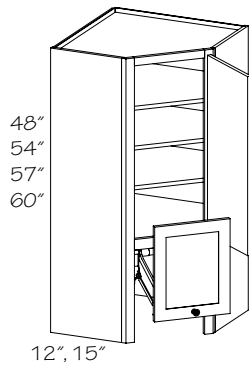


- Specify R or L for single door hinging
- 19 1/2" diameter rotating shelves
- Rotating shelves have plywood floor and solid wood trim
- Two vertical compartments with fixed rail and floor
- Bottom door is always square
- ☆ Glass on top and bottom - select glass designs only
- **Note:** Full overlay door styles use a 1/2" overlay hinge

●	PE
●	APC
●	APFC
●	FPEB
●	MI
●	DE
●	OE
●	AD_E
●	CW
●	RD
●	ID
●	CH
●	TWR
●	XS
●	XSG
☆	GD

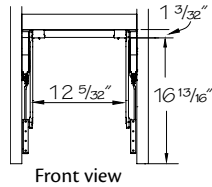
Wall Angle Appliance Garage

☆	PE
●	APC
●	APFC
☆	FPEB
●	MI
	DE
	OE
☆	AD_E
	CW
	RD
	ID
☆	CH
	TWR
	XS
	XSG
☆	GD

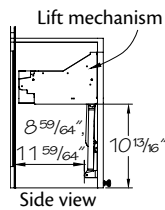


- Two adjustable shelves
48" High
- **WAAG2448 R or L**
- ★□ **WAAG2748 R or L**
- Three adjustable shelves
54" High
- WAAG2454 R or L**
- ★ **WAAG2754 R or L**
- Three adjustable shelves
57" High
- + **WAAG2457 R or L**
- ★+ **WAAG2757 R or L**
- Three adjustable shelves
60" High
- + **WAAG2460 R or L**
- ★+ **WAAG2760 R or L**

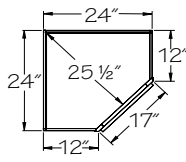
- Specify R or L for single door hinging
- Clearance from countertop to bottom of door is 20 1/32"
- Adjustable Soft-Close lift mechanism standard
- Shelves shipped separately
- Bottom door is always square
- Void All Door and Drawer Front option (VDA) is **not** available
- ☆ Glass doors available for top doors only
- **Note:** Full overlay door styles use a 1/2" overlay hinge



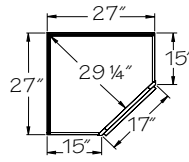
Front view



Side view



WA24

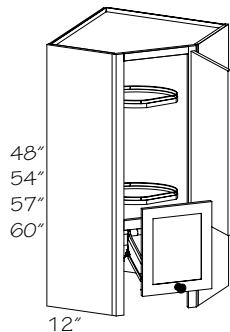


WA27

- Change Height (CH) option **not** available
- ★ Furniture plywood ends (FPEB) standard
- + Attached Decorative Ends (AD_E) option **not** available

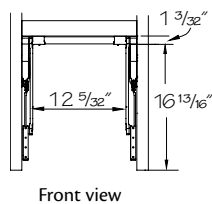
Wall Angle Appliance Garage Chrome Lazy Susan

●	PE
●	APC
●	APFC
●	FPEB
●	MI
	DE
	OE
●	AD_E
	CW
	RD
	ID
	CH
	TWR
	XS
	XSG
☆	GD

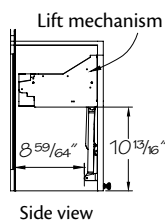


- Two shelves
48" High
- WAAG2448 R or L.CLS**
- Three shelves
54" High
- WAAG2454 R or L.CLS**
- Three shelves
57" High
- + **WAAG2457 R or L.CLS**
- Three shelves
60" High
- + **WAAG2460 R or L.CLS**

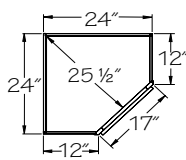
- Specify R or L for single door hinging
- 19 11/16" diameter rotating shelves
- Maximum weight per shelf is 18 lbs.
- Shelves rotate together
- Clearance from countertop to bottom of door is 20 1/32"
- Adjustable Soft-Close lift mechanism standard
- Bottom door is always square
- Void All Door and Drawer Front option (VDA) is **not** available
- ☆ Glass doors available for top doors only
- **Note:** Full overlay door styles use a 1/2" overlay hinge



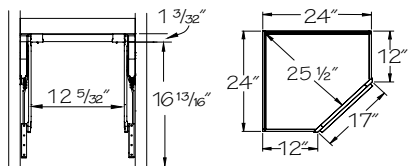
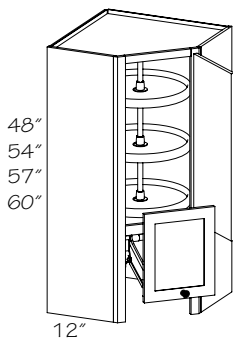
Front view



Side view



Wall Angle Appliance Garage Wood Lazy Susan



Front view

Two shelves
48" High

WAAG2448 R or L.WLS

Three shelves
54" High

WAAG2454 R or L.WLS

Three shelves
57" High

+ **WAAG2457 R or L.WLS**

Three shelves
60" High

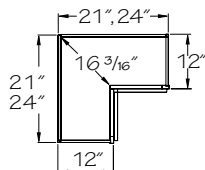
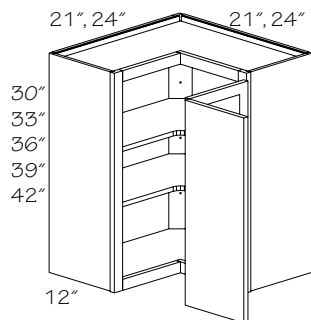
+ **WAAG2460 R or L.WLS**

+ Attached Decorative Ends (AD_E) option **not** available

- Specify R or L for single door hinging
- 19 1/2" diameter rotating shelves
- Adjustable Soft-Close lift mechanism standard
- Rotating shelves have plywood floor and solid wood trim
- Clearance from countertop to bottom of door is 20 1/32"
- Bottom door is always square
- Void All Door and Drawer Front option (VDA) is **not** available
- ☆ Glass doors available for top doors only
- **Note:** Full overlay door styles use a 1/2" overlay hinge

● PE
● APC
● APFC
● FPFB
● MI
● DE
● OE
☆ AD_E
● CW
● RD
● ID
● CH
● TWR
● XS
● XSG
☆ GD

Wall Easy Reach



Two shelves
30" High

※†■○ **WEZR2130 R or L**

WEZR2430 R or L

Two shelves
33" High

※†■○ **WEZR2133 R or L**

WEZR2433 R or L

Three shelves
36" High

※†■○ **WEZR2136 R or L**

WEZR2436 R or L

Three shelves
39" High

※†■○ **WEZR2139 R or L**

WEZR2439 R or L

Three shelves
42" High

※†■○ **WEZR2142 R or L**

WEZR2442 R or L

- ※ Doors are square except full overlay arched door styles. Thermofoil doors will always be square. Vega doors will have a solid, recessed flat panel
- † Glass door option **not** available
- Wood-Grain Foil door styles will be supplied as vertical grain slabs
- Change Width (CW) option **not** available

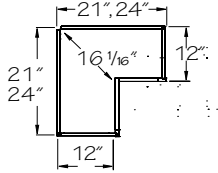
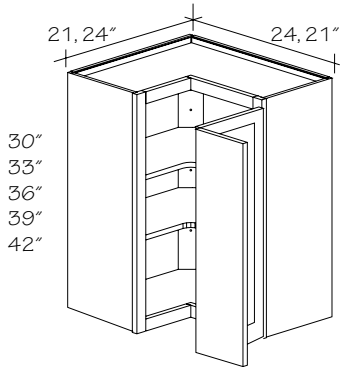
- Specify R or L for single door hinging
- Right shown
- Adjustable shelves
- Frame opening from left to right edge: 10 1/2" for WEZR21, 14 3/4" for WEZR24
- Face frame is scooped for hinge installation on full overlay door styles
- Hinged door opens to 170°
- ☆ **Not** available with Aluminum Frame Glass doors
- Both legs **must** be modified equally for Change Width (CW), **not** available with Glass Doors (GD)
- **Note:** Does **not** include Soft-Close feature



Do **not** design a corner cabinet adjacent to an object deeper than the end panel. The door of the corner cabinet may **not** function properly.

● PE
● APC
● APFC
● FPFB
● MI
● DE
● OE
● AD_E
☆ CW
● RD
● ID
● CH
● TWR
● XS
● XSG
☆ GD

Asymmetrical Wall Easy Reach



Two shelves
30" High

WEZR212430 R or L
WEZR242130 R or L

Two shelves
33" High

WEZR212433 R or L
WEZR242133 R or L

Three shelves
36" High

WEZR212436 R or L
WEZR242136 R or L

Three shelves
39" High

WEZR212439 R or L
WEZR242139 R or L

Three shelves
42" High

WEZR212442 R or L
WEZR242142 R or L

- Specify R or L for single door hinging
- Adjustable shelves
- Frame opening from left to right edge is 12 7/8"
- Face frame is scooped for hinge installation on full overlay door styles
- Hinged door opens to 170°
- Doors are square except full overlay arched door styles. Thermofoil doors will always be square. Vega doors will have a solid, recessed flat panel
- Wood-Grain Foil door styles will be supplied as vertical grain slabs
- **Note:** Does **not** include Soft-Close feature



Remember, all 9" wide doors in 1/2" overlay will be square even for a roman door style. If a 9" cabinet is required, one suggestion is to void the door and order the cabinet with matching interior and use it as a decorative open cabinet.

●	PE
●	APC
●	APFC
●	FPEB
●	MI
●	DE
●	OE
●	AD_E
	CW
	RD
	ID
●	CH
	TWR
●	XS
	XSG
	GD

Peninsula Wall Corner Cabinets

Construction Options and Modifications

- ◆ Included as standard
- Available with an upcharge
- ☆ Available with exceptions
- (Blank) **Not** available

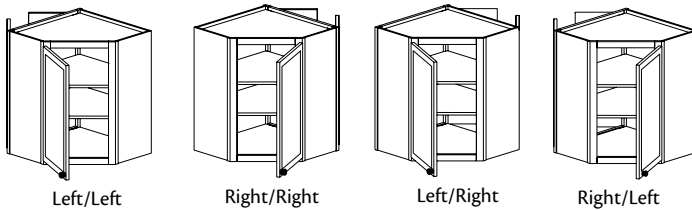
- PE Plywood Ends
- APC All Plywood Construction
- APFC All Plywood Furniture Construction
- FPEB Furniture Plywood Ends
- MI Matching Interior
- AD_E Attached Decorative End
- CW Change Width
- RD Reduced Depth
- ID Increased Depth
- CH Change Height
- XS Extended Stile
- GD Glass Doors

PWA	24	30	R	L
code	width	height	kitchen side hinging	rear door placement (looking at kitchen side)

Material dimensions listed may vary slightly from actual dimensions of the product.

Specifications subject to change without notice.

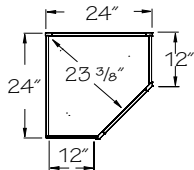
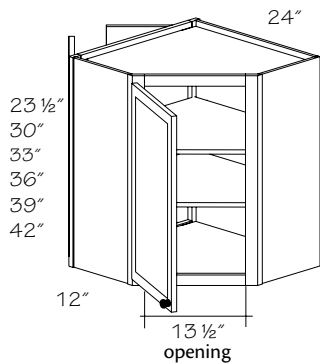
Peninsula Wall Angle Example



- Specify R or L rear door position
- The second R or L designates rear frame position looking at kitchen side

PE
APC
APFC
FPEB
MI
AD_E
CW
RD
ID
CH
XS
GD

Peninsula Wall Angle



One shelf
23 1/2" High

PWA2424 RR or RL
PWA2424 LR or LL

Two shelves
30" High

PWA2430 RR or RL
PWA2430 LR or LL

Two shelves
33" High

PWA2433 RR or RL
PWA2433 LR or LL

Three shelves
36" High

PWA2436 RR or RL
PWA2436 LR or LL

Three shelves
39" High

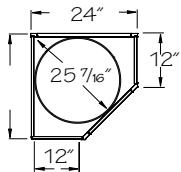
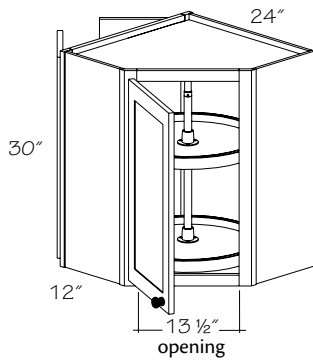
PWA2439 RR or RL
PWA2439 LR or LL

Three shelves
42" High

PWA2442 RR or RL
PWA2442 LR or LL

- Specify R or L for door hinging on kitchen side and rear door placement
- Left/Left shown
- Adjustable shelves
- Butt doors on peninsula side
- Frame backs are **not** finished
- See example for hinging and rear door position
- ☆ Glass inserts **not** available on ends
- **Note:** Full overlay door styles: Kitchen side (front) doors use a 1/2" overlay hinge. Peninsula side (back) doors use a full overlay hinge

● PE
● APC
● APFC
● FPEB
● MI
● AD_E
CW
RD
ID
● CH
XS
☆ GD



Peninsula Wall Angle Wood Lazy Susan

Two Shelves

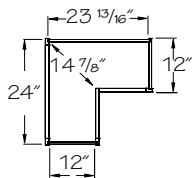
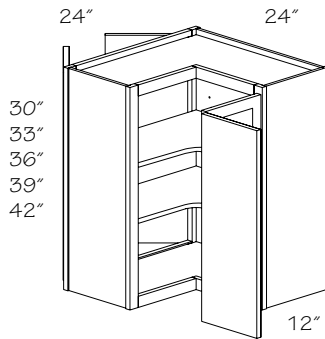
PWA2430 RR or RL.WLS

PWA2430 LR or LL.WLS

- Specify R or L for door hinging on kitchen side and rear door placement
- Left/Left shown
- 19 1/2" diameter rotating shelves
- Rotating shelves have plywood floor and solid wood trim
- Butt doors on peninsula side
- Frame backs are **not** finished
- See example for hinging and rear door position
- ☆ Glass inserts **not** available on ends
- **Note:** Full overlay door styles: Kitchen side (front) doors use a 1/2" overlay hinge. Peninsula side (back) doors use a full overlay hinge

●	PE
●	APC
●	APFC
●	FPEB
●	MI
●	AD_E
	CW
	RD
	ID
	CH
	XS
☆	GD

Peninsula Wall Easy Reach



Two shelves
30" High

PWEZR2430 RR or RL

PWEZR2430 LR or LL

Two shelves
33" High

PWEZR2433 RR or RL

PWEZR2433 LR or LL

Three shelves
36" High

PWEZR2436 RR or RL

PWEZR2436 LR or LL

Three shelves
39" High

PWEZR2439 RR or RL

PWEZR2439 LR or LL

Three shelves
42" High

PWEZR2442 RR or RL

PWEZR2442 LR or LL

- Specify R or L for door hinging on kitchen side and rear door placement
- Right/Left shown
- Adjustable shelves
- Butt doors on peninsula side
- Hinged door opens to 170°
- See example for hinging and rear door position
- Frame backs are **not** finished
- ☆ Glass inserts **not** available on ends
- ☆ **Not** available with Aluminum Frame glass doors on kitchen side
- **Note:** Kitchen side does **not** include Soft-Close feature. Peninsula side doors feature Soft-Close hinge

●	PE
●	APC
●	APFC
●	FPEB
●	MI
●	AD_E
	CW
	RD
	ID
●	CH
●	XS
☆	GD

Wall End Run Cabinets

WEC	12	30
code	width	height

Material dimensions listed may vary slightly from actual dimensions of the product.

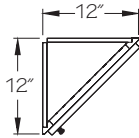
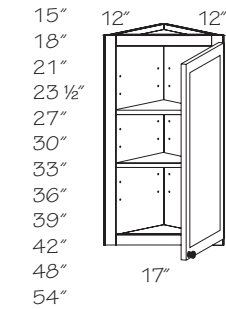
Specifications subject to change without notice.

Construction Options and Modifications

- ❖ Included as standard
- Available with an upcharge
- ☆ Available with exceptions
- (Blank) **Not** available

- PE Plywood Ends
- APC All Plywood Construction
- APFC All Plywood Furniture Construction
- FPEB Furniture Plywood Ends
- MI Matching Interior
- DE Integrated Decorative End
- AD_E Attached Decorative End
- CW Change Width
- RD Reduced Depth
- ID Increased Depth
- CH Change Height
- XS Extended Stile
- GD Glass Doors

Wall Corner Angle



No shelf

WCA1215 R or L

WCA1218 R or L

One shelf

WCA1221 R or L

WCA1224 R or L

□ **WCA1227 R or L**

Two shelves

WCA1230 R or L

WCA1233 R or L

Three shelves

WCA1236 R or L

WCA1239 R or L

WCA1242 R or L

Three shelves, shipped separately

★▲ **WCA1248 R or L**

Four shelves shipped separately

†★▲ **WCA1254 R or L**

□ Change Height (CH) option **not** available

★ **Not** available with Mullion glass doors (GD) option

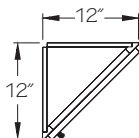
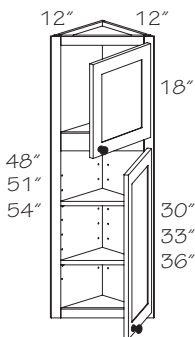
▲ Available in full overlay door styles only

† Modern Frosted (MRT) and Moire (MOI) Glass Inserts **not** available on 54" H cabinets

- Specify R or L for single door hinging
- Adjustable shelves
- Back Options (BEB and VGRB) **not** available
- Contrasting Back Options (CBEB, CPLB, CVGR) **not** available

●	PE
●	APC
	APFC
	FPEB
●	MI
	DE
	AD_E
	CW
	RD
	ID
☆	CH
	XS
☆	GD

Wall Corner Angle Stack



Two shelves

WCAST1248 R or L

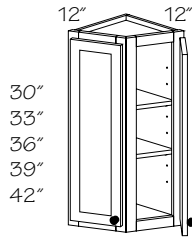
WCAST1251 R or L

Three shelves

WCAST1254 R or L

- Specify R or L for single door hinging
- Two vertical compartments with fixed rail and floor
- Bottom shelves are adjustable
- Shelves shipped separately
- Bottom door is always square
- Back Options (BEB and VGRB) **not** available
- Contrasting Back Options (CBEB, CPLB, CVGR) **not** available
- ☆ Glass on top and bottom - select glass designs only

●	PE
●	APC
	APFC
	FPEB
●	MI
	DE
	AD_E
	CW
	RD
	ID
	CH
	XS
☆	GD



Wall End Corner

Two shelves

WEC1230

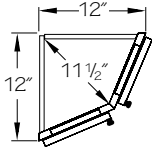
WEC1233

Three shelves

WEC1236

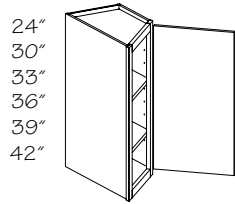
WEC1239

WEC1242



- Adjustable shelves
- Back Options (BEB and VGRB) *not* available
- Contrasting Back Options (CBEB, CPLB, CVGR) *not* available
- Doors are square except full overlay arched door styles. Thermofoil doors will always be square. Vega doors will have a solid, recessed flat panel

● PE
● APC
● APFC
● FPEB
● MI
DE
AD_E
CW
RD
ID
● CH
XS
GD



Wall End Angle

One shelf

WEA1224 R or L

Two shelves

WEA1230 R or L

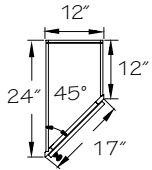
WEA1233 R or L

Three shelves

WEA1236 R or L

WEA1239 R or L

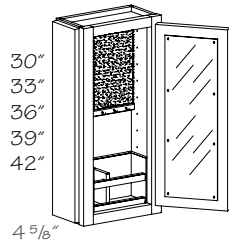
WEA1242 R or L



- Specify R or L for single door hinging
- Designed to be a transition cabinet between a 12" deep wall cabinet and a 24" deep tall or Wall Refrigerator cabinet
- Right shown
- Adjustable shelves
- ☆ Minimum Reduced Depth (RD) is 18"
- ☆ Integrated Decorative End (DE) available on 12" deep side only
- **Note:** Full overlay door styles use a 1/2" overlay hinge

● PE
● APC
● APFC
● FPEB
● MI
☆ DE
● AD_E
CW
☆ RD
ID
● CH
XS
● GD

Wall Message Center



(EMPTY)

MCW1230 R or L

MCW1233 R or L

MCW1236 R or L

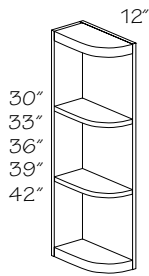
MCW1239 R or L

MCW1242 R or L

- Specify R or L for single door hinging
- Includes: Dry erase board, key hooks, cork board and Utensil organizer
- Available on all door styles
- For use at the end of a cabinet run
- Filler Overlay (FO) supplied, ships separately, field install

PE
APC
❖ APFC
FPEB
MI
DE
AD_E
CW
RD
ID
CH
XS
GD

Solid Wood Wall End Open Shelf

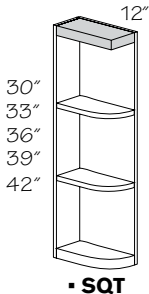


(3) 8 13/16" sections
30" High

SWEOS630 R or L
SWEOS630 R or L.SQT
SWEOS630 R or L.SQB
SWEOS630 R or L.SQTB
SWEOS930 R or L
SWEOS930 R or L.SQT
SWEOS930 R or L.SQB
SWEOS930 R or L.SQTB

(4) 8 11/16" sections
39" High

SWEOS639 R or L
SWEOS639 R or L.SQT
SWEOS639 R or L.SQB
SWEOS639 R or L.SQTB
SWEOS939 R or L
SWEOS939 R or L.SQT
SWEOS939 R or L.SQB
SWEOS939 R or L.SQTB
SWEOS1239 R or L
SWEOS1239 R or L.SQT
SWEOS1239 R or L.SQB
SWEOS1239 R or L.SQTB

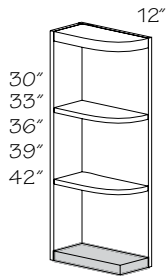


(3) 9 13/16" sections
33" High

SWEOS633 R or L
SWEOS633 R or L.SQT
SWEOS633 R or L.SQB
SWEOS633 R or L.SQTB
SWEOS933 R or L
SWEOS933 R or L.SQT
SWEOS933 R or L.SQB
SWEOS933 R or L.SQTB
SWEOS1233 R or L
SWEOS1233 R or L.SQT
SWEOS1233 R or L.SQB
SWEOS1233 R or L.SQTB

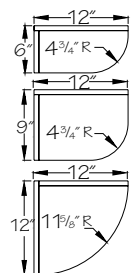
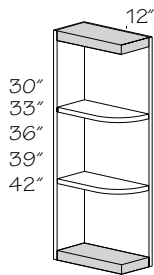
(4) 9 7/16" sections
42" High

SWEOS642 R or L
SWEOS642 R or L.SQT
SWEOS642 R or L.SQB
SWEOS642 R or L.SQTB
SWEOS942 R or L
SWEOS942 R or L.SQT
SWEOS942 R or L.SQB
SWEOS942 R or L.SQTB
SWEOS1242 R or L
SWEOS1242 R or L.SQT
SWEOS1242 R or L.SQB
SWEOS1242 R or L.SQTB



(4) 7 15/16" sections
36" High

SWEOS636 R or L
SWEOS636 R or L.SQT
SWEOS636 R or L.SQB
SWEOS636 R or L.SQTB
SWEOS936 R or L
SWEOS936 R or L.SQT
SWEOS936 R or L.SQB
SWEOS936 R or L.SQTB
SWEOS1236 R or L
SWEOS1236 R or L.SQT
SWEOS1236 R or L.SQB
SWEOS1236 R or L.SQTB



- Specify R or L
- 5/8" wood veneer on sides and back
- 1 3/16" thick top and bottom shelves
- Left shown
- Painted hardwood supplied for EverCore™ and Thermofoil
- Plain sawn material supplied for Bristow Crafted door styles
- Solid wood construction on shelves only
- Back Options (BEB and VGRB) *not* available
- Contrasting Back Options (CBEB, CPLB, CVGR) *not* available
- Quartersawn door styles are supplied plain sawn
- *Not* available in High-Gloss Foil or Wood-Grain Foil door styles
- Mesa and Montresano supplied quartersawn
- ☆ Shelves remain solid when APC option is chosen; sides and back will be 11/16" matching wood veneer plywood
- ☆ Reduced Depth (RD) available in 3" increments to a minimum of 6"

PE
☆ APC
APFC
FPEB
✦ MI
DE
AD_E
CW
☆ RD
ID
CH
XS
GD

Wall Open Cabinets

WCDA	18	36
code	width	height

Material dimensions listed may vary slightly from actual dimensions of the product.

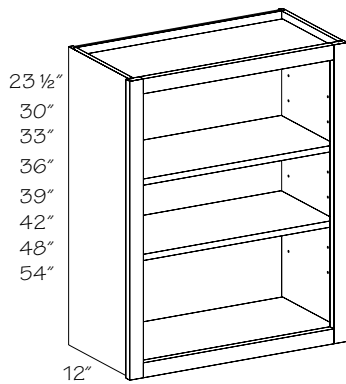
Specifications subject to change without notice.

Construction Options and Modifications

- ❖ Included as standard
- Available with an upcharge
- ☆ Available with exceptions
- (Blank) **Not** available

- PE Plywood Ends
- APC All Plywood Construction
- APFC All Plywood Furniture Construction
- FPEB Furniture Plywood Ends
- MI Matching Interior
- DE Integrated Decorative End
- AD_E Attached Decorative End
- CW Change Width
- RD Reduced Depth
- ID Increased Depth
- CH Change Height
- TWR Top Wide Rail
- XS Extended Stile
- XSG Integrated Extended Stile
- GD Glass Doors

Wall Open Cabinet



*One shelf
23 1/2" High*

- WOC2424**
- WOC3024**

*Two shelves
30" High*

- WOC1230**
- WOC1530**
- WOC1830**
- WOC2130**
- WOC2430**
- WOC2730**
- WOC3030**
- WOC3330**
- WOC3630**

*Two shelves
33" High*

- WOC1233**
- WOC1533**
- WOC1833**
- WOC2133**
- WOC2433**
- WOC2733**
- WOC3033**
- WOC3333**
- WOC3633**

*Three shelves
36" High*

- WOC1236**
- WOC1536**
- WOC1836**
- WOC2136**
- WOC2436**
- WOC2736**
- WOC3036**
- WOC3336**
- WOC3636**

*Three shelves
39" High*

- WOC1239**
- WOC1539**
- WOC1839**
- WOC2139**
- WOC2439**
- WOC2739**
- WOC3039**
- WOC3339**
- WOC3639**

*Three shelves
42" High*

- WOC1242**
- WOC1542**
- WOC1842**
- WOC2142**
- WOC2442**
- WOC2742**
- WOC3042**
- WOC3342**
- WOC3642**

*Three shelves,
shipped separately
48" High*

- WOC1248**
- WOC1548**
- WOC1848**
- WOC2148**
- WOC2448**
- WOC2748**
- WOC3048**
- WOC3348**
- WOC3648**

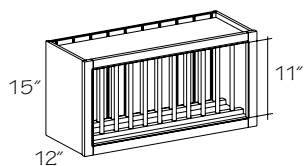
*Four shelves,
shipped separately
54" High*

- WOC1254**
- WOC1554**
- WOC1854**
- WOC2154**
- WOC2454**
- WOC2754**
- WOC3054**
- WOC3354**
- WOC3654**

- No door
- Adjustable shelves
- The following valance options are available:
 - VCB (5 1/2" Corbel Valance)
 - VCV (4 1/2" Cove Valance)
 - VCR (5 1/2" Crown Valance)
 - VF (3 1/2" Furniture Valance)
 - VSH (5 1/2" Shaker Arched Valance)
 - VTWR (6" Straight Rail Valance)
 - VVIC (5 1/2" Victorian Valance)
- Valance options available in cabinets 15" and wider
- Painted hardwood supplied for EverCore™
- Valance options are plain sawn wood in quartersawn door styles
- ☆ Wall Top Wide Rail (WTWR) available on 12"-36" high cabinets only
- ☆ Maximum Increased Depth (ID) is 15" for cabinets 48" and 54" high
- Order Example: WOC2430-VCR; see Construction Option section for illustrations

●	PE
●	APC
●	APFC
●	FPEB
❖	MI
●	DE
●	AD_E
●	CW
●	RD
☆	ID
●	CH
☆	TWR
☆	XS
●	XSG
●	GD

Wall China Display

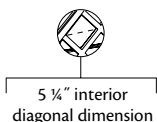
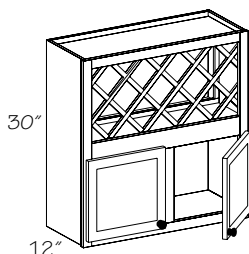


- WCD2415** 7 plates
- WCD3015** 10 plates
- WCD3615** 12 plates

- 10 7/8" clearance for plates
- Spindle height 11 1/2"
- Spindles are shipped separately
- Wood veneer Beaded Back
- Painted hardwood supplied for EverCore™
- Mesa and Montresano supplied plain sawn
- ☆ Minimum Reduced Depth (RD) is 9"

●	PE
●	APC
●	APFC
●	FPEB
◇	MI
●	DE
	AD_E
	CW
☆	RD
	ID
	CH
	TWR
	XS
	XSG
	GD

Lattice Wall Cabinet

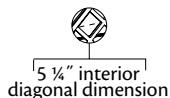
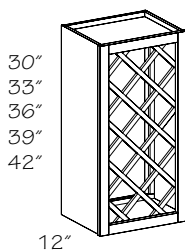
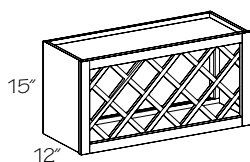


- LW3030** 11 bottles
- LW3630** 13 bottles

- 3 3/4" diameter bottle
- Lattices are **not** removable
- Lattice finished one side only
- No shelf

●	PE
●	APC
●	APFC
●	FPEB
◇	MI
	DE
●	AD_E
	CW
	RD
	ID
	CH
	TWR
●	XS
	XSG
●	GD

Lattice Wall



- Horizontal*
15" High
- LW2415** 7 bottles
 - LW3015** 11 bottles
 - LW3315** 11 bottles
 - LW3615** 13 bottles

- Vertical*
30" High
- LW1530** 11 bottles
 - LW1830** 11 bottles
 - LW2430** 17 bottles

- Vertical*
33" High
- LW1533** 11 bottles
 - LW1833** 11 bottles
 - LW2433** 17 bottles

- Vertical*
36" High
- LW1536** 13 bottles
 - LW1836** 13 bottles
 - LW2436** 23 bottles

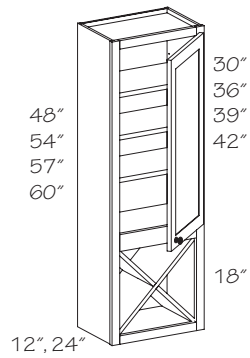
- Vertical*
39" High
- LW1539** 17 bottles
 - LW1839** 17 bottles
 - LW2439** 27 bottles

- Vertical*
42" High
- LW1542** 17 bottles
 - LW1842** 17 bottles
 - LW2442** 27 bottles

- 3 3/4" diameter bottle
- Lattices are **not** removable
- Lattice finished one side only
- Painted hardwood supplied for EverCore™

●	PE
●	APC
●	APFC
●	FPEB
◇	MI
	DE
●	AD_E
	CW
	RD
	ID
	CH
	TWR
●	XS
	XSG
	GD

Wall Wine Hutch



12" Deep

- ☆ **WWH181248 R or L**
- ☆ **WWH181254 R or L**
- +☆ **WWH181257 R or L**
- +☆ **WWH181260 R or L**

24" Deep

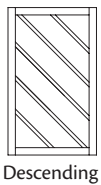
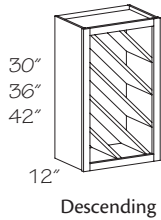
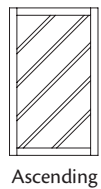
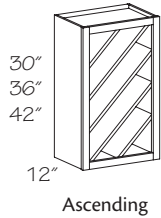
- WWH182448 R or L**
- WWH182454 R or L**
- + **WWH182457 R or L**
- + **WWH182460 R or L**

- ☆ Reduced Depth (RD) is **not** available
- + Attached Decorative Ends (AD_E) option **not** available

- Specify R or L for single door hinging
- Designed to set on countertop
- 24" deep cabinet **cannot** be reduced to depth less than 12"
- ☆ When Reduced Depth (RD) is selected, wine storage section will always be 12" deep. The cabinet when ordered from 24" deep to 13" deep will always have a back panel in the wine storage section that is up against the X cross members

PE
❖ APC
● APFC
● FPFB
❖ MI
DE
☆ AD_E
CW
☆ RD
ID
CH
TWR
● XS
XSG
● GD

Wall - Diagonal Wine Storage Cabinet



Ascending

- WDWC1830 .A**
- WDWC1836 .A**
- WDWC1842 .A**
- WDWC2430 .A**
- WDWC2436 .A**
- WDWC2442 .A**

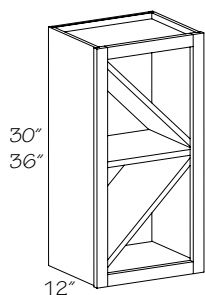
Descending

- WDWC1830 .D**
- WDWC1836 .D**
- WDWC1842 .D**
- WDWC2430 .D**
- WDWC2436 .D**
- WDWC2442 .D**

- 11/16" (17.5 mm) thick shelves
- Shelves fixed into position and are **not** adjustable
- Spacing between shelves is 4 1/8" wide, except top/bottom corner shelves which vary based on the overall cabinet size chosen

PE
❖ APC
● APFC
FPFB
❖ MI
DE
AD_E
CW
RD
ID
CH
TWR
● XS
XSG
GD

Wall - Offset Diagonal Wine Storage Cabinet

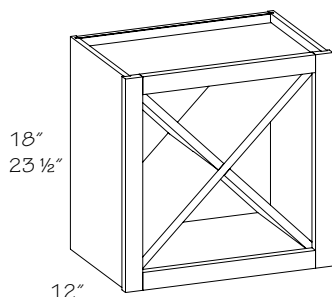


WODWC1530
WODWC1830
WODWC2130
WODWC1536
WODWC1836
WODWC2136

- 11/16" (17.5 mm) thick shelves
- Shelves fixed into position and are *not* adjustable

PE
❖ APC
☆ APFC
FPEB
❖ MI
DE
AD_E
CW
RD
ID
CH
TWR
● XS
XSG
GD

Wine Storage Cabinet



WSC1818
WSC2424

- Requires additional support. Installation between two cabinets or cabinet and wall recommended
- Painted hardwood supplied for EverCore™



When ordering an unfinished cabinet that has standard Matching Interior (MIV), you **must** use MIP, MIFP or FPEB to get a wood veneer matching interior. If the cabinet is Wood Veneer standard, ordered as All Plywood (APC) or with Furniture Plywood Ends (FPEB, APFC), wood veneer matching interior will be standard.

PE
❖ APC
● APFC
● FPEB
❖ MI
DE
AD_E
CW
RD
ID
CH
TWR
XS
XSG
GD

Wall Microwave Cabinets

Construction Options and Modifications

PE	Plywood Ends
APC	All Plywood Construction
APFC	All Plywood Furniture Construction
FPEB	Furniture Plywood Ends
MI	Matching Interior
AD_E	Attached Decorative End
CW	Change Width
RD	Reduced Depth
ID	Increased Depth
CH	Change Height
XS	Extended Stile
GD	Glass Doors

WMC	27	18	36
code	width	depth	height

- ❖ Included as standard
- Available with an upcharge
- ☆ Available with exceptions
- (Blank) **Not** available

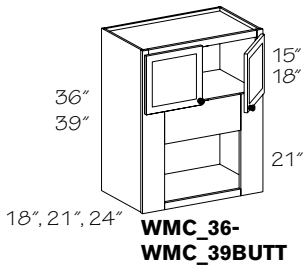
Installation Notes: Installation of a wall cabinet 30" or wider, by itself, is **not** recommended and requires additional support, such as attachment to a soffit, or support from below.

Any wall cabinet over 24" wide or 30" high with a depth greater than 12" or butt doors **must** be installed between two cabinets, a cabinet and a wall, or supported from below.

Material dimensions listed may vary slightly from actual dimensions of the product.

Specifications subject to change without notice.

Wall Microwave Cabinet

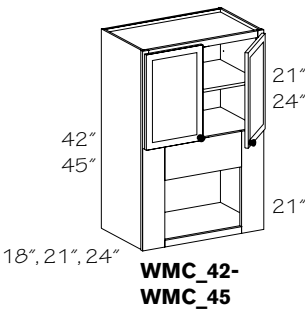


36" High
Opening trimmable to:
Width: 16" to 25"
Height: 13" to 19"
WMC271836 (Butt)
WMC272136 (Butt)
WMC272436 (Butt)

42" High
Opening trimmable to:
Width: 16" to 25"
Height: 13 1/2" to 19 1/2"
WMC271842 (Butt)
WMC272142 (Butt)
WMC272442 (Butt)

36" High
Opening trimmable to:
Width: 19" to 28"
Height: 13" to 19"
WMC301836 BUTT
WMC302136 BUTT
WMC302436 BUTT

42" High
Opening trimmable to:
Width: 19" to 28"
Height: 13 1/2" to 19 1/2"
WMC301842 BUTT
WMC302142 BUTT
WMC302442 BUTT



39" High
Opening trimmable to:
Width: 16" to 25"
Height: 13" to 19"
WMC271839 (Butt)
WMC272139 (Butt)
WMC272439 (Butt)

45" High
Opening trimmable to:
Width: 16" to 25"
Height: 13 1/2" to 19 1/2"
+ WMC271845 (Butt)
+ WMC272145 (Butt)
+ WMC272445 (Butt)

39" High
Opening trimmable to:
Width: 19" to 28"
Height: 13" to 19"
WMC301839 BUTT
WMC302139 BUTT
WMC302439 BUTT

45" High
Opening trimmable to:
Width: 19" to 28"
Height: 13 1/2" to 19 1/2"
+ WMC301845 BUTT
+ WMC302145 BUTT
+ WMC302445 BUTT

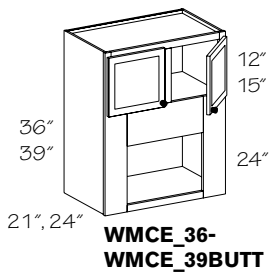
+ Attached Decorative Ends (AD_E) option **not** available

- Designed for "built-in" style microwaves
- Change Height (CH) modifications will be made in the upper door section
- **Note: Must** be installed between two cabinets or cabinet and wall with supplied connectors

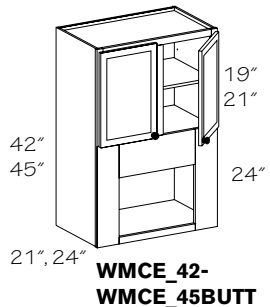


Installation of a wall cabinet 30" or wider, by itself, is **not** recommended by Masterpiece and requires additional support, such as attachment to a soffit or support from below

●	PE
●	APC
●	APFC
●	FPEB
●	MI
☆	AD_E
●	CW
●	RD
●	ID
●	CH
●	XS
●	GD



**WMCE_36-
WMCE_39BUTT**



**WMCE_42-
WMCE_45BUTT**

Wall Microwave Cabinet–Extended Opening

36" High
Opening trimmable to:
Width: 16" to 25"
Height: 16" to 22"

- **WMCE272136 (Butt)**
- **WMCE272436 (Butt)**

36" High
Opening trimmable to:
Width: 19" to 28"
Height: 16" to 22"

- **WMCE302136 BUTT**
- **WMCE302436 BUTT**

39" High
Opening trimmable to:
Width: 16" to 25"
Height: 16" to 22"

- WMCE272139 (Butt)**
- WMCE272439 (Butt)**

39" High
Opening trimmable to:
Width: 19" to 28"
Height: 16" to 22"

- WMCE302139 BUTT**
- WMCE302439 BUTT**

42" High
Opening trimmable to:
Width: 19" to 28"
Height: 16 1/2" to 22 1/2"

- WMCE272142 (Butt)**
- WMCE272442 (Butt)**
- WMCE302142 BUTT**
- WMCE302442 BUTT**

45" High
Opening trimmable to:
Width: 16" to 25"
Height: 16 1/2" to 22 1/2"

- + **WMCE272145 (Butt)**
- + **WMCE272445 (Butt)**

45" High
Opening trimmable to:
Width: 19" to 28"
Height: 16 1/2" to 22 1/2"

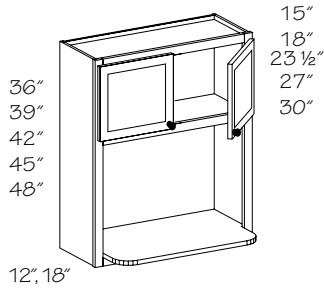
- + **WMCE302145 BUTT**
- + **WMCE302445 BUTT**

- Change Height (CH) option *not* available
- + Attached Decorative Ends (AD_E) option *not* available

- Designed for "built-in" style microwaves
- Change Height (CH) modifications will be made in the upper door section
- **Note: Must** be installed between two cabinets or cabinet and wall with supplied connectors

●	PE
●	APC
●	APFC
●	FPEB
●	MI
☆	AD_E
●	CW
●	RD
	ID
☆	CH
●	XS
●	GD

Wall Microwave Shelf Cabinet



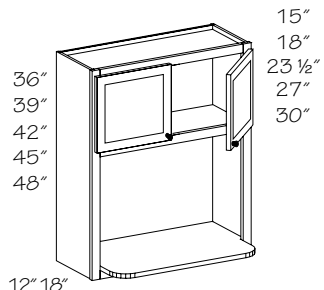
<i>36" High</i>	<i>Inside Dimensions:</i>	
WMSC271236 (Butt)	24" x 18 3/4"	
WMSC271836 (Butt)	24" x 18 3/4"	
WMSC301236 BUTT	27" x 18 3/4"	
<i>39" High</i>		
WMSC271239 (Butt)	24" x 18 3/4"	
WMSC271839 (Butt)	24" x 18 3/4"	
WMSC301239 BUTT	27" x 18 3/4"	
<i>42" High</i>		
WMSC271242 (Butt)	24" x 16 1/4"	
WMSC271842 (Butt)	24" x 16 1/4"	
WMSC301242 BUTT	27" x 16 1/4"	
<i>45" High</i>		
+ WMSC271245 (Butt)	24" x 15 3/4"	
+ WMSC271845 (Butt)	24" x 15 3/4"	
+ WMSC301245 BUTT	27" x 15 3/4"	
<i>48" High</i>		
WMSC271848 (Butt)	24" x 15 3/4"	

+ Attached Decorative Ends (AD_E) option **not** available

- 36" and 39" high has no shelves, 42" and 45" high have one shelf and 48" high has two shelves in top section
- 3/4" matching shelf, 18" deep on 12" cabinets, 24" deep on 18" cabinets
- Designed for countertop style microwaves
- Change Height (CH) modifications will be made in the upper door section
- **Note: Must** be installed between two cabinets or cabinet and wall with supplied connectors

● PE
● APC
● APFC
● FPFB
❖ MI
☆ AD_E
CW
● RD
ID
● CH
● XS
● GD

Wall Microwave w/Solid Wood Shelf



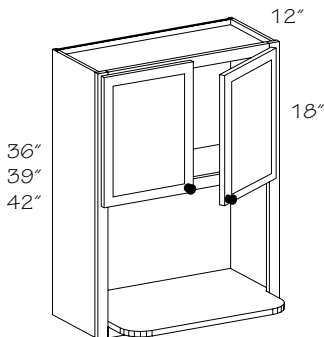
<i>36" High</i>	<i>Inside Dimensions:</i>	
SWMSC271236 (Butt)	24" x 18 3/4"	
SWMSC271836 (Butt)	24" x 18 3/4"	
SWMSC301236 BUTT	27" x 18 3/4"	
<i>39" High</i>		
SWMSC271239 (Butt)	24" x 18 3/4"	
SWMSC271839 (Butt)	24" x 18 3/4"	
SWMSC301239 BUTT	27" x 18 3/4"	
<i>42" High</i>		
SWMSC271242 (Butt)	24" x 16 1/4"	
SWMSC271842 (Butt)	24" x 16 1/4"	
SWMSC301242 BUTT	27" x 16 1/4"	
<i>45" High</i>		
+ SWMSC271245 (Butt)	24" x 15 3/4"	
+ SWMSC271845 (Butt)	24" x 15 3/4"	
+ SWMSC301245 BUTT	27" x 15 3/4"	
<i>48" High</i>		
SWMSC271848 (Butt)	24" x 15 3/4"	

+ Attached Decorative Ends (AD_E) option **not** available

- 36" and 39" high has no shelves, 42" and 45" high have one shelf and 48" high has two shelves in top section
- 3/4" matching shelf, 18" deep on 12" cabinets, 24" deep on 18" cabinets
- Solid wood construction on matching lower shelf only
- Designed for countertop style microwaves
- Thermofolds are painted hardwood
- Change Height (CH) modifications will be made in the upper door section
- **Note: Must** be installed between two cabinets or cabinet and wall with supplied connectors

● PE
● APC
● APFC
● FPFB
❖ MI
☆ AD_E
CW
● RD
ID
● CH
● XS
● GD

Wall Compact Microwave Shelf

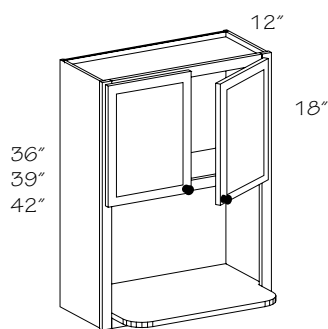


<i>36" High</i>	<i>Inside Dimensions:</i>	
WCMSC241236	21" x 15 3/4"	
WCMSC271236 (Butt)	24" x 15 3/4"	
<i>39" High</i>		
WCMSC241239	21" x 15 3/4"	
WCMSC271239 (Butt)	24" x 15 3/4"	
<i>42" High</i>		
WCMSC241242	21" x 16 1/4"	
WCMSC271242 (Butt)	24" x 16 1/4"	

- 18" deep, 3/4" matching shelf
- Designed for countertop style microwaves
- Change Height (CH) modifications will be made in the upper door section
- **Note: Must** be installed between two cabinets or cabinet and wall with supplied connectors

● PE
● APC
● APFC
● FPFB
❖ MI
● AD_E
CW
● RD
ID
● CH
● XS
● GD

Wall Compact Microwave w/Solid Wood Shelf

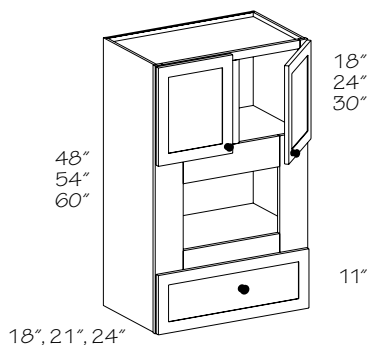


36" High	SWCMSC241236	Inside Dimensions:	21" x 15 3/4"
	SWCMSC271236 (Butt)		24" x 15 3/4"
39" High	SWCMSC241239		21" x 15 3/4"
	SWCMSC271239 (Butt)		24" x 15 3/4"
42" High	SWCMSC241242		21" x 16 1/4"
	SWCMSC271242 (Butt)		24" x 16 1/4"

- 18" deep, 3/4" matching shelf
- Solid wood construction on matching lower shelf only
- Designed for countertop style microwaves
- Thermofoils are painted hardwood
- Change Height (CH) modifications will be made in the upper door section
- **Note: Must** be installed between two cabinets or cabinet and wall with supplied connectors

●	PE
●	APC
●	APFC
●	FPEB
✦	MI
●	AD_E
●	CW
●	RD
●	ID
●	CH
●	XS
●	GD

Wall Microwave Cabinet w/Drawer



No shelves in upper section	48" High
WMCD271848 (Butt)	
WMCD301848	
WMCD272148 (Butt)	
WMCD302148	
WMCD272448 (Butt)	
WMCD302448	

One shelf in upper section
54" High

WMCD271854 (Butt)
WMCD301854
WMCD272154 (Butt)
WMCD302154
WMCD272454 (Butt)
WMCD302454

Two shelves in upper section
60" High

- + **WMCD271860 (Butt)**
- + **WMCD301860**
- + **WMCD272160 (Butt)**
- + **WMCD302160**
- + **WMCD272460 (Butt)**
- + **WMCD302460**

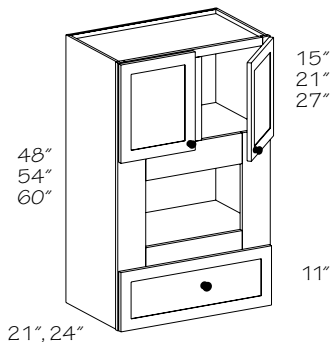
+ Attached Decorative Ends (AD_E) option **not** available

- One deep drawer
- Designed for "built-in" style microwaves
- Change Height (CH) modifications will be made in the upper door section
- **Not** intended as a wall mounted cabinet; unit **must** be supported by another cabinet or countertop

●	PE
●	APC
●	APFC
●	FPEB
●	MI
☆	AD_E
●	CW
●	RD
●	ID
●	CH
●	XS
●	GD

Cut out dimensions

Cabinet	Min. Width	Max. Width	Min. Height	Max. Height
WMCDE27_48	16"	25"	12"	15 1/2"
WMCDE27_54	16"	25"	12 1/2"	16"
WMCDE27_60	16"	25"	12"	15 1/2"
WMCDE30_48	19"	28"	12"	15 1/2"
WMCDE30_54	19"	28"	12 1/2"	16"
WMCDE30_60	19"	28"	12"	15 1/2"



Cut out dimensions

Cabinet	Min. Width	Max. Width	Min. Height	Max. Height
WMCDE27_48	16"	25"	15"	18 1/2"
WMCDE27_54	16"	25"	15 1/2"	19"
WMCDE27_60	16"	25"	15"	18 1/2"
WMCDE30_48	19"	28"	15"	18 1/2"
WMCDE30_54	19"	28"	15 1/2"	19"
WMCDE30_60	19"	28"	15"	18 1/2"

Wall Microwave Cabinet w/Drawer-Extended Opening

No shelves in upper section
48" High

WMCDE272148 (Butt) + **WMCDE272160 (Butt)**

WMCDE302148 + **WMCDE302160**

WMCDE272448 (Butt) + **WMCDE272460 (Butt)**

WMCDE302448 + **WMCDE302460**

One shelf in upper section
54" High

WMCDE272154 (Butt)

WMCDE302154

WMCDE272454 (Butt)

WMCDE302454

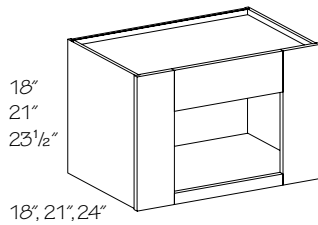
+ Attached Decorative Ends (AD_E) option **not** available

Two shelves in upper section
60" High

- One deep drawer
- Designed for "built-in" style microwaves
- Change Height (CH) modifications will be made in the upper door section
- **Not** intended as a wall mounted cabinet; unit **must** be supported by another cabinet or countertop

- PE
- APC
- APFC
- FPFB
- MI
- ☆ AD_E
- CW
- RD
- ID
- CH
- XS
- GD

Wall Microwave Box



18" High
Opening trimmable to:
Width: 16" to 25"
Height: 11" to 15 1/2"

WMB271818

WMB272118

18" High
Opening trimmable to:
Width: 19" to 28"
Height: 11" to 15 1/2"

WMB301818

WMB302118

21" High
Opening trimmable to:
Width: 16" to 25"
Height: 14" to 18 1/2"

WMB271821

WMB272121

WMB272421

21" High
Opening trimmable to:
Width: 19" to 28"
Height: 14" to 18 1/2"

WMB301821

WMB302121

WMB302421

23 1/2" High
Opening trimmable to:
Width: 16" to 25"
Height: 17" to 21 1/2"

WMB272124

WMB272424

23 1/2" High
Opening trimmable to:
Width: 19" to 28"
Height: 17" to 21 1/2"

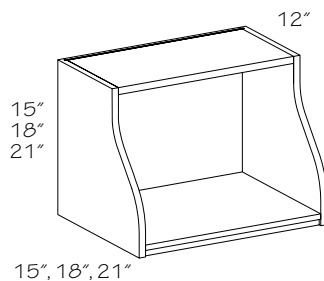
WMB302124

WMB302424

- Designed for "built-in" style microwaves
- Contrasting Back Options (CBEB, CPLB, CVGR) **not** available
- Back Options (BEB and VGRB) **not** available
- Painted hardwood supplied for EverCore™
- Change Height (CH) and Change Width (CW) changes will occur in the cabinet opening - stiles and rails will **not** change
- **Note: Must** be installed between two cabinets or cabinet and wall with supplied connectors

- PE
- APC
- APFC
- FPFB
- MI
- AD_E
- CW
- RD
- ID
- CH
- XS
- GD

Wall Microwave Shelf



15" High
○ **WMS211515** Inside Dimensions:
19 3/8" x 12 11/16"

○ **WMS241515** 22 3/8" x 12 11/16"

○ **WMS211815** 19 3/8" x 12 11/16"

○ **WMS241815** 22 3/8" x 12 11/16"

18" High
WMS241818 22 3/8" x 15 11/16"

WMS271818 25 3/8" x 15 11/16"

WMS301818 28 3/8" x 15 11/16"

WMS242118 22 3/8" x 15 11/16"

WMS272118 25 3/8" x 15 11/16"

WMS302118 28 3/8" x 15 11/16"

21" High
WMS241821 22 3/8" x 18 11/16"

WMS271821 25 3/8" x 18 11/16"

WMS301821 28 3/8" x 18 11/16"

WMS242121 22 3/8" x 18 11/16"

WMS272121 25 3/8" x 18 11/16"

WMS302121 28 3/8" x 18 11/16"

○ Change Width (CW) option **not** available

- 3/4" wood veneer construction
- Designed for countertop style microwaves
- Quartersawn door styles are supplied plain sawn
- Painted hardwood supplied for EverCore™
- Contrasting Back Options (CBEB, CPLB, CVGR) **not** available
- **Note: Must** be installed between two cabinets or cabinet and wall with supplied connectors



Do **not** design a wall hood or microwave shelf adjacent to a corner cabinet. The door of the corner cabinet will **not** function.

- PE
- APC
- APFC
- FPFB
- ☆ MI
- AD_E
- ☆ CW
- RD
- ID
- CH
- XS
- GD

Wall Hoods

Construction Options and Modifications

WHCC	36	24	30
code	width	depth	height

- ❖ Included as standard
- Available with an upcharge
- ☆ Available with exceptions
- (Blank) **Not** available

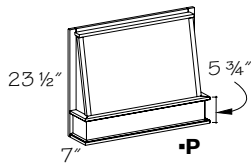
- PE Plywood Ends
- APC All Plywood Construction
- APFC All Plywood Furniture Construction
- FPEB Furniture Plywood Ends
- MI Matching Interior
- DE Integrated Decorative End
- CW Change Width
- RD Reduced Depth
- ID Increased Depth
- CH Change Height
- XS Extended Stile
- XSG Integrated Extended Stile
- GD Glass Doors

Consult your local building code for rules and regulations that may apply to the installation of this product.

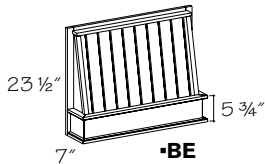
Material dimensions listed may vary slightly from actual dimensions of the product.

Specifications subject to change without notice.

Wall Hood Classic



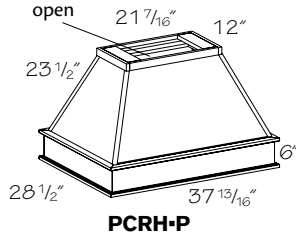
- CRHF3024 .BE
- CRHF3624 .BE
- CRHF3024 .P
- CRHF3624 .P



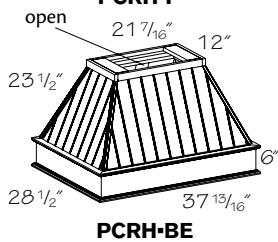
- Solid wood/wood veneer construction
- Metal liner required
- Requires Wall Hood Component Package "B" or "E", located before the Wall Hood Designs in this section
- Quartersawn door styles are supplied plain sawn
- **Not** available in Rustic Alder door styles
- **Not** available in High-Gloss Foil or Wood-Grain Foil door styles
- Painted hardwood supplied for EverCore™
- **Note:** Wall Hood **must** be installed between two cabinets

PE
● APC
APFC
FPEB
MI
DE
CW
RD
ID
CH
XS
XSG
GD

Peninsula Wall Hood Classic



- PCRH3624 .BE
- PCRH3624 .P

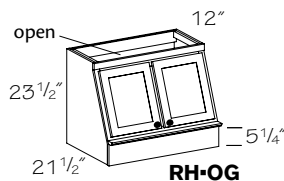


- Solid wood/wood veneer construction
- Requires Wall Hood Component Package "C" or "F", located before the Wall Hood Designs in this section
- Quartersawn door styles are supplied plain sawn
- **Not** available in Rustic Alder door styles
- **Not** available in High-Gloss Foil or Wood-Grain Foil door styles
- Painted hardwood supplied for EverCore™
- **Note:** Wall hood **must** be securely anchored to ceiling or soffit

PE
● APC
APFC
FPEB
MI
DE
CW
RD
ID
CH
XS
XSG
GD

Wall Hood Matching

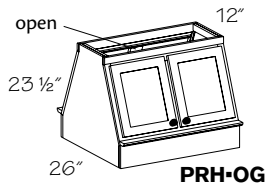
- Ogee Molding
- RH3024 .OG
- RH3624 .OG



- Solid wood/wood veneer construction
- Metal liner required
- Doors open to facilitate duct installation and wiring
- Requires Wall Hood Component Package "A" or "D", located before the Wall Hood Designs in this section
- Quartersawn door styles are supplied plain sawn
- **Not** available in Rustic Alder door styles
- **Not** available in High-Gloss Foil or Wood-Grain Foil door styles
- Painted hardwood supplied for EverCore™
- **Note:** Wall Hood **must** be installed between two cabinets

PE
● APC
APFC
FPEB
MI
DE
CW
RD
ID
CH
XS
XSG
GD

Peninsula Wall Hood Matching

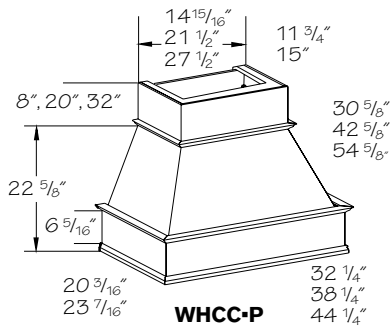


Ogee Molding
PRH3024 .OG
PRH3624 .OG

- Solid wood/wood veneer construction
- Metal liner required
- Doors open to facilitate duct installation and wiring
- Requires Wall Hood Component Package "C" or "F", located before the Wall Hood Designs in this section
- Quartersawn door styles are supplied plain sawn
- **Not** available in Rustic Alder door styles
- **Not** available in High-Gloss Foil or Wood-Grain Foil door styles
- Painted hardwood supplied for EverCore™
- **Note:** Wall hood **must** be securely anchored to ceiling or soffit

PE
● APC
APFC
FPEB
MI
DE
CW
RD
ID
CH
XS
XSG
GD

Wall Hood Classic Chimney



Plain
 30 5/8" High
WHCC301930 .P
WHCC361930 .P
WHCC362430 .P
WHCC422430 .P
 Plain
 42 5/8" High
WHCC301942 .P
WHCC361942 .P
WHCC362442 .P
WHCC422442 .P

Plain
 54 5/8" High
WHCC301954 .P
WHCC361954 .P
WHCC362454 .P
WHCC422454 .P

- Solid wood/wood veneer construction
- Check local building codes for required clearances between the Wall Hood and cooking surface
- A 3" space is recommended on the right and left side of this unit before beginning the adjacent cabinet runs
- 30 5/8" high hoods are designed for use with 8 foot ceilings
- 42 5/8" high hoods are designed for use with 9 ft. ceilings
- 54 5/8" high hoods are designed for use with 10 ft. ceilings
- Lower molding matches Beaded Panel Molding (BPM8) profile, other molding matches Soffit Crown Molding profile (SCM8)
- Chimney section shipped separately
- Will accept optional onlays, ordered separately; see Molding Accents section
- **Not** designed to be used with a soffit
- Painted or Stained hardwood supplied for Wood-Grain Foil door styles
- Quartersawn door styles are supplied plain sawn
- 19" deep requires Wall Hood Component Package "J", located before the Wall Hood Designs in this section
- 24" deep requires Wall Hood Component Package "G" or "P", located before the Wall Hood Designs in this section
- **Note:** Cabinetry and appliances located below these Wall Hoods **must** be pulled to a minimum of 27" deep and a maximum of 30" deep for improved function
- **Note:** Wall Hood **must** be securely anchored to wall

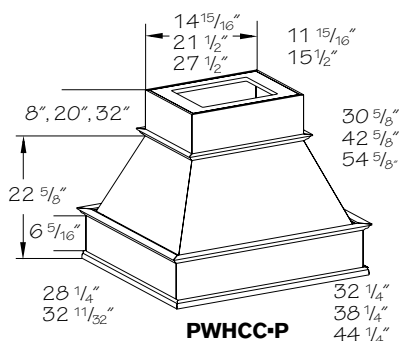
PE
◆ APC
APFC
FPEB
MI
DE
CW
RD
ID
CH
XS
XSG
GD

Cabinet	Opening Sizes			
	Top Width	Top Depth	Bottom Width	Bottom Depth
WHCC30	8"	7 9/16"	28 1/2"	18 3/16"
WHCC36	14 3/16"	10 3/4"	34 1/2"	21 3/16"
WHCC42	20 1/2"	10 3/4"	40 1/2"	21 3/16"



Select a Wall Hood, Chimney style when designing with open soffits. A Chimney style hood is selected when you want an unfitted look; a design that looks great with your door style, but matching or including the door style is **not** required.

Peninsula Wall Hood Classic Chimney



- Plain*
30 5/8" High
PWHCC302830 .P
PWHCC363330 .P
PWHCC423330 .P
- Plain*
42 5/8" High
PWHCC302842 .P
PWHCC363342 .P
PWHCC423342 .P

- Plain*
54 5/8" High
PWHCC302854 .P
PWHCC363354 .P
PWHCC423354 .P

PE
❖ APC
APFC
FPEB
MI
DE
CW
RD
ID
CH
XS
XSG
GD

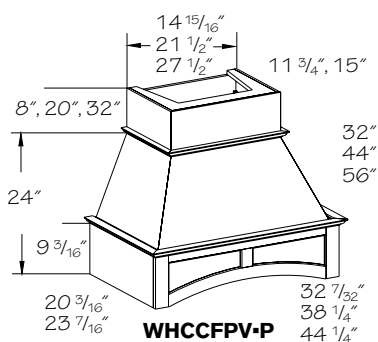
Opening Sizes				
Cabinet	Top Width	Top Depth	Bottom Width	Bottom Depth
PWHCC30	7 1/16"	6 1/16"	28 1/2"	24 1/2"
PWHCC36	14 1/2"	10 1/2"	34 1/2"	28 19/32"
PWHCC42	20 1/2"	10 1/2"	40 1/2"	21 19/32"



Apply your molding of choice at the ceiling along the top edge of the Wall Hood Chimney to present a finished look or to coordinate with adjacent cabinetry. A beaded styled hood may be selected to coordinate with beaded/v-grooved paneling and doors, but is **not** required.

- Solid wood/wood veneer construction
- Check local building codes for required clearances between the Wall Hood and cooking surface
- A 3" space is recommended on the right and left side of this unit before beginning the adjacent cabinet runs
- 30 5/8" high hoods are designed for use with 8 foot ceilings
- 42 5/8" high hoods are designed for use with 9 ft. ceilings
- 54 5/8" high hoods are designed for use with 10 ft. ceilings
- Lower molding matches Beaded Panel Molding (BPM8) profile, other molding matches Soffit Crown Molding profile (SCM8)
- Chimney section shipped separately
- Will accept optional onlays, ordered separately; see Molding Accents section
- **Not** designed to be used with a soffit
- Quartersawn door styles are supplied plain sawn
- Painted hardwood supplied for EverCore™ and Thermofoil
- Painted or Stained hardwood supplied for Wood-Grain Foil door styles
- 30" wide requires Wall Hood Component Package "K", located before the Wall Hood Designs in this section
- 36"-42" wide requires Wall Hood Component Package "H" or "O", located before the Wall Hood Designs in this section
- **Note:** Cabinetry and appliances located below these Wall Hoods **must** be pulled to a minimum of 27" deep and a maximum of 30" deep for improved function
- **Note:** Wall hood **must** be securely anchored to ceiling

Wall Hood Classic Chimney Flat Panel Valance



- Plain*
32" High
WHCCFPV301932 .P
WHCCFPV361932 .P
WHCCFPV362432 .P
WHCCFPV422432 .P
- Plain*
44" High
WHCCFPV301944 .P
WHCCFPV361944 .P
WHCCFPV362444 .P
WHCCFPV422444 .P

- Plain*
56" High
WHCCFPV301956 .P
WHCCFPV361956 .P
WHCCFPV362456 .P
WHCCFPV422456 .P

PE
❖ APC
APFC
FPEB
MI
DE
CW
RD
ID
CH
XS
XSG
GD

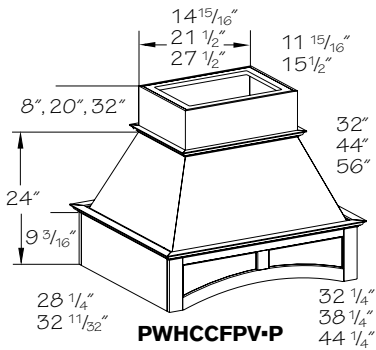
Opening Sizes				
Cabinet	Top Width	Top Depth	Bottom Width	Bottom Depth
WHCCFPV30	8"	7 9/16"	28 3/8"	18 3/8"
WHCCFPV36	14 9/16"	10 3/4"	34 3/8"	21 3/8"
WHCCFPV42	20 1/2"	10 3/4"	40 3/8"	21 3/8"



A Wall Hood Classic Chimney Flat Panel Valance coordinates best with flat panel door styles. It may **not** match the door exactly, but will blend into the design and enhance the appearance of the entire room.

- Solid wood/wood veneer construction
- Check local building codes for required clearances between the Wall Hood and cooking surface
- A 3" space is recommended on the right and left side of this unit before beginning the adjacent cabinet runs
- 32" high hoods are designed for use with 8 foot ceilings
- 44" high hoods are designed for use with 9 ft. ceilings
- 56" high hoods are designed for use with 10 ft. ceilings
- Decorative molding matches Soffit Crown Molding profile (SCM8)
- Chimney section shipped separately
- Quartersawn door styles are supplied plain sawn
- Painted hardwood supplied for EverCore™ and Thermofoil
- **Not** designed to be used with a soffit
- **Not** available in High-Gloss Foil or Wood-Grain Foil door styles
- 19" deep requires Wall Hood Component Package "J", located before the Wall Hood Designs in this section
- 24" deep requires Wall Hood Component Package "G" or "P", located before the Wall Hood Designs in this section
- **Note:** Cabinetry and appliances located below these Wall Hoods **must** be pulled to a minimum of 27" deep and a maximum of 30" deep for improved function
- **Note:** Wall Hood **must** be securely anchored to wall

Peninsula Wall Hood Classic Chimney Flat Panel Valance



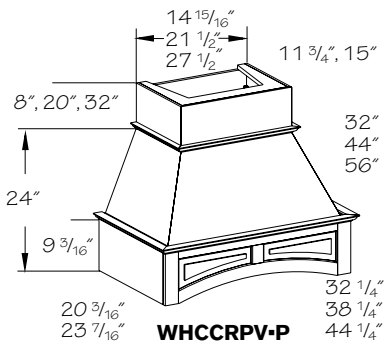
- Plain
32" High
PWHCCFPV302832 .P
- PWHCCFPV363332 .P**
- PWHCCFPV423332 .P**
- Plain
44" High
PWHCCFPV302844 .P
- PWHCCFPV363344 .P**
- PWHCCFPV423344 .P**
- Plain
56" High
PWHCCFPV302856 .P
- PWHCCFPV363356 .P**
- PWHCCFPV423356 .P**

Opening Sizes				
Cabinet	Top Width	Top Depth	Bottom Width	Bottom Depth
PWHCCFPV30	7 15/16"	6 15/16"	28 3/8"	24 1/2"
PWHCCFPV36	14 1/2"	10 1/2"	34 3/8"	28 1/2"
PWHCCFPV42	20 1/2"	10 1/2"	40 3/8"	28 1/2"

- Solid wood/wood veneer construction
- Check local building codes for required clearances between the Wall Hood and cooking surface
- A 3" space is recommended on the right and left side of this unit before beginning the adjacent cabinet runs
- 32" high hoods are designed for use with 8 foot ceilings
- 44" high hoods are designed for use with 9 ft. ceilings
- 56" high hoods are designed for use with 10 ft. ceilings
- Decorative molding matches Soffit Crown Molding profile (SCM8)
- Chimney section shipped separately
- **Not** designed to be used with a soffit
- Quartersawn door styles are supplied plain sawn
- Painted hardwood supplied for EverCore™ and Thermofoil
- **Not** available in High-Gloss Foil or Wood-Grain Foil door styles
- 30" wide requires Wall Hood Component Package "K", located before the Wall Hood Designs in this section
- 36"-42" wide requires Wall Hood Component Package "H" or "O", located before the Wall Hood Designs in this section
- **Note:** Cabinetry and appliances located below these Wall Hoods **must** be pulled to a minimum of 27" deep and a maximum of 30" deep for improved function
- **Note:** Wall hood **must** be securely anchored to ceiling

PE
❖ APC
APFC
FPEB
MI
DE
CW
RD
ID
CH
XS
XSG
GD

Wall Hood Classic Chimney Raised Panel Valance



- Plain
32" High
WHCCRPV301932 .P
- WHCCRPV361932 .P**
- WHCCRPV362432 .P**
- WHCCRPV422432 .P**
- Plain
44" High
WHCCRPV301944 .P
- WHCCRPV361944 .P**
- WHCCRPV362444 .P**
- WHCCRPV422444 .P**
- Plain
56" High
WHCCRPV301956 .P
- WHCCRPV361956 .P**
- WHCCRPV362456 .P**
- WHCCRPV422456 .P**

Opening Sizes				
Cabinet	Top Width	Top Depth	Bottom Width	Bottom Depth
WHCCRPV30	8"	7 9/16"	28 5/8"	18 5/16"
WHCCRPV36	14 9/16"	10 3/4"	34 5/8"	21 9/16"
WHCCRPV42	20 1/2"	10 3/4"	40 5/8"	21 9/16"

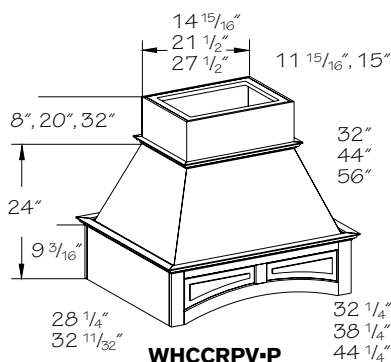
- Solid wood/wood veneer construction
- A 3" space is recommended on the right and left side of this unit before beginning the adjacent cabinet runs
- Decorative molding matches Soffit Crown Molding profile (SCM8)
- Chimney section shipped separately
- **Not** designed to be used with a soffit
- Quartersawn door styles are supplied plain sawn
- Painted hardwood supplied for EverCore™ and Thermofoil
- **Not** available in High-Gloss Foil or Wood-Grain Foil door styles
- 19" deep requires Wall Hood Component Package "J", located before the Wall Hood Designs in this section
- 24" deep requires Wall Hood Component Package "G" or "P", located before the Wall Hood Designs in this section
- **Note:** Cabinetry and appliances located below these Wall Hoods **must** be pulled to a minimum of 27" deep and a maximum of 30" deep for improved function
- **Note:** Wall Hood **must** be securely anchored to wall

PE
❖ APC
APFC
FPEB
MI
DE
CW
RD
ID
CH
XS
XSG
GD



The Wall Hood Classic Chimney Raised Panel Valance includes a representative raised panel profile that blends with most raised panel door styles. It may **not** match the chosen door style exactly. Consider designing in a valance on the adjacent wall of the cooking area to coordinate with this style hood.

Peninsula Wall Hood Classic Chimney Raised Panel Valance



WHCCRVP-P

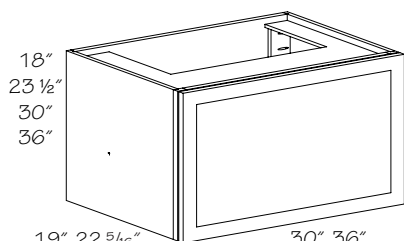
- Plain
32" High
PWHCCRVP302832 .P
PWHCCRVP363332 .P
PWHCCRVP423332 .P
- Plain
44" High
PWHCCRVP302844 .P
PWHCCRVP363344 .P
PWHCCRVP423344 .P
- Plain
56" High
PWHCCRVP302856 .P
PWHCCRVP363356 .P
PWHCCRVP423356 .P

Opening Sizes				
Cabinet	Top Width	Top Depth	Bottom Width	Bottom Depth
PWHCCRVP30	7 1/16"	6 1/16"	28 3/8"	24 1/2"
PWHCCRVP36	14 1/2"	10 1/2"	34 3/8"	28 1/2"
PWHCCRVP42	20 1/2"	10 1/2"	40 3/8"	28 1/2"

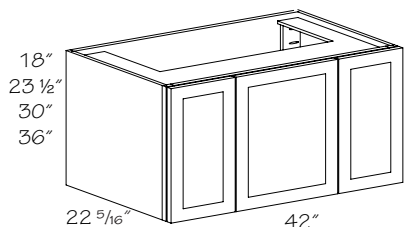
- Solid wood/wood veneer construction
- Check local building codes for required clearances between the Wall Hood and cooking surface
- A 3" space is recommended on the right and left side of this unit before beginning the adjacent cabinet runs
- 32" high hoods are designed for use with 8 foot ceilings
- Decorative molding matches Soffit Crown Molding profile (SCM8)
- Chimney section shipped separately
- **Not** designed to be used with a soffit
- **Not** available in Wood-Grain Foil door styles
- Quartersawn door styles are supplied plain sawn
- Painted hardwood supplied for EverCore™ and Thermofoil
- 30" wide requires Wall Hood Component Package "K", located before the Wall Hood Designs in this section
- 36"-42" wide requires Wall Hood Component Package "H" or "O", located before the Wall Hood Designs in this section
- **Note:** Cabinetry and appliances located below these Wall Hoods **must** be pulled to a minimum of 27" deep and a maximum of 30" deep for improved function
- **Note:** Wall hood **must** be securely anchored to ceiling

PE
❖ APC
APFC
FPEB
MI
DE
CW
RD
ID
CH
XS
XSG
GD

Wall Hood Box



WHB30-36



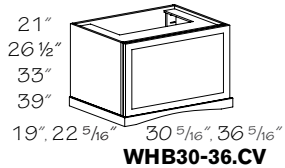
WHB42

- 18" High
WHB301818
WHB361818
WHB362118
WHB422118
- 23 1/2" High
WHB301824
WHB361824
WHB362124
WHB422124
- 30" High
WHB301830
WHB361830
WHB362130
WHB422130
- 36" High
WHB301836
WHB361836
WHB362136
WHB422136

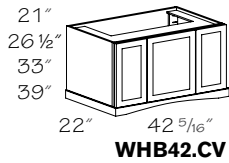
- Solid wood/wood veneer construction
- Thermofoils are painted hardwood
- All door styles will default to full overlay
- Doors are attached by false front clips. **Not** operational
- Designed to align with top of adjacent cabinets
- 30" and 36" wide hoods have a single door panel
- 42" wide hoods have three door panels
- 19" deep (18" nominal) requires Wall Hood Component Package "J", located before the Wall Hood Designs in this section
- 22 5/16" deep (21" nominal) requires Wall Hood Component Package "G" or "P", located before the Wall Hood Designs in this section
- Check local building codes for required clearances between the Wall Hood and cooking surface
- The 18" high Wall Hood Box will require a soffit or a molding box application to house the duct work for the blower unit
- **Not** available in Harmond door styles
- **Note:** Square doors will be supplied when ordered in arched door styles
- **Note:** Cabinetry and appliances located below these Wall Hoods **must** be pulled to a minimum of 27" deep and a maximum of 30" deep for improved function

PE
APC
❖ APFC
FPEB
MI
DE
CW
RD
ID
CH
XS
XSG
GD

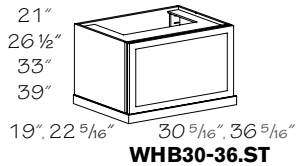
Wall Hood Box Valance



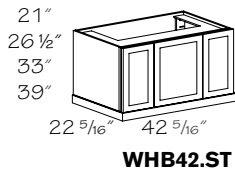
Cove Valance
21" High
WHB301821 .CV
WHB361821 .CV
WHB362121 .CV
WHB422121 .CV



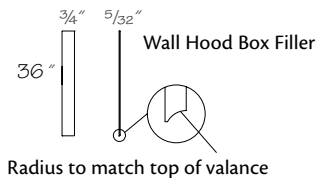
Cove Valance
26 1/2" High
WHB301827 .CV
WHB361827 .CV
WHB362127 .CV
WHB422127 .CV



Cove Valance
33" High
WHB301833 .CV
WHB361833 .CV
WHB362133 .CV
WHB422133 .CV



Cove Valance
39" High
WHB301839 .CV
WHB361839 .CV
WHB362139 .CV
WHB422139 .CV



Straight Valance
21" High
WHB301821 .ST
WHB361821 .ST
WHB362121 .ST
WHB422121 .ST

Straight Valance
26 1/2" High
WHB301827 .ST
WHB361827 .ST
WHB362127 .ST
WHB422127 .ST

Straight Valance
33" High
WHB301833 .ST
WHB361833 .ST
WHB362133 .ST
WHB422133 .ST

Straight Valance
39" High
WHB301839 .ST
WHB362139 .ST
WHB361839 .ST
WHB422139 .ST

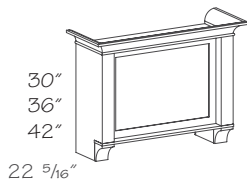
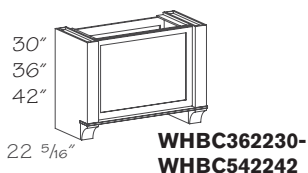
- Solid wood/wood veneer construction
- Thermofolds are painted hardwood
- All door styles will default to full overlay
- Doors are attached by false front clips. **Not** operational
- Designed to align with top of adjacent cabinets
- Valance adds 3" to overall height and 5/32" width to both sides
- Valances will be supplied in plain-sawn material for Quartersawn Cherry and Quartersawn Maple door styles
- Includes (2) Wall Hood Box Fillers, shipped separately
- 30 5/16" and 36 5/16" wide hoods have a single door panel
- 42 5/16" wide hoods have three door panels
- 19" deep (18" nominal) requires Wall Hood Component Package "J", located before the Wall Hood Designs in this section
- 22 5/16" deep (21" nominal) requires Wall Hood Component Package "G" or "P", located before the Wall Hood Designs in this section
- Check local building codes for required clearances between the Wall Hood and cooking surface
- Filler strips are used when butting adjacent cabinets against the Wall Hood Box. Fillers **must** be used in this application to avoid gaps between cabinet boxes
- **Not** available in Harmond door styles
- **Note:** Square doors will be supplied when ordered in arched door styles
- **Note:** Cabinetry and appliances located below these Wall Hoods **must** be pulled to a minimum of 27" deep and a maximum of 30" deep for improved function



The Wall Hood Box Filler should be used when installing the hood box between two wall cabinets

PE
APC
APFC
FPEB
MI
DE
CW
RD
ID
CH
XS
XSG
GD

Wall Hood Box w/Columns & Wall Hood Box w/Columns w/Extra Large Cove Top Plate



Without Top Plate

- WHBC362230**
- WHBC422230**
- WHBC482230**
- WHBC542230**
- WHBC362236**
- WHBC422236**
- WHBC482236**
- WHBC542236**
- WHBC362242**
- WHBC422242**
- WHBC482242**
- WHBC542242**

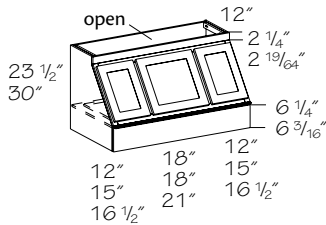
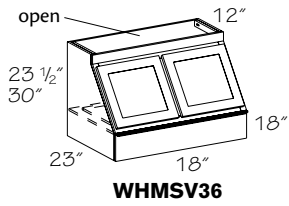
With Top Plate

- WHBC362230 .XLCVM**
- WHBC422230 .XLCVM**
- WHBC482230 .XLCVM**
- WHBC542230 .XLCVM**
- WHBC362236 .XLCVM**
- WHBC422236 .XLCVM**
- WHBC482236 .XLCVM**
- WHBC542236 .XLCVM**
- WHBC362242 .XLCVM**
- WHBC422242 .XLCVM**
- WHBC482242 .XLCVM**
- WHBC542242 .XLCVM**

- **Not** available in mitered door styles, quartersawn door styles, rustic door styles, Evercore™ door styles, slab door styles, and all High-gloss foil, Thermofoil or Wood-Grain foil door styles
- Solid wood/wood veneer construction
- Front panel designed to coordinate with the selected door style
- Check local building codes for required clearances between the Wall Hood and cooking surface
- 36" wide cabinet requires Wall Hood Component Package "T"
- 42", 48" and 54" cabinets require Wall Hood Component Package "R" or "S"
- Front panel is removable to facilitate duct installation and wiring
- Top molding on Wall Hood Box w/Columns w/Extra Large Cove Molding matches Extra Large Cove Molding (XLCVM8)
- Molding top plate of Wall Hood Box w/Columns w/Extra Large Cove Top Plate adds 6 3/4" to the width, 3 3/8" to the depth and 4 1/2" to the height
- **Note:** Cabinetry and appliances located below these Wall Hoods **must** be pulled to a minimum of 27" deep and a maximum of 30" deep for improved function

PE
❖ APC
APFC
FPEB
MI
DE
CW
RD
ID
CH
XS
XSG
GD

Wall Hood Matching Straight Valance



23 1/2" High

WHMSV3624

WHMSV4224

WHMSV4824

WHMSV5424

30" High

WHMSV3630

WHMSV4230

WHMSV4830

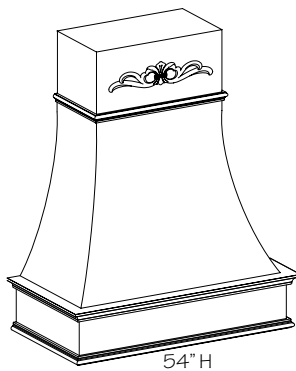
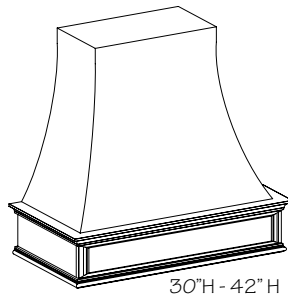
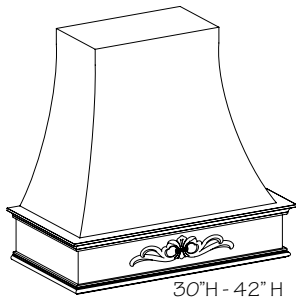
WHMSV5430

- Solid wood/wood veneer construction
- 23 1/2" high units are designed to align with 90" cabinets
- 30" high hoods are designed to align with 96" high cabinets
- Will accept optional onlays, ordered separately; see Molding Accents section
- Check local building codes for required clearances between the Wall Hood and cooking surface
- Requires Wall Hood Component Package "G", located before the Wall Hood Designs in this section
- Doors open to facilitate duct installation and wiring
- Thermofoils are painted hardwood
- Quartersawn door styles are supplied plain sawn
- **Note:** Wall Hood **must** be installed between two cabinets
- **Note:** Cabinetry and appliances located below these Wall Hoods **must** be pulled to a minimum of 27" deep and a maximum of 30" deep for improved function

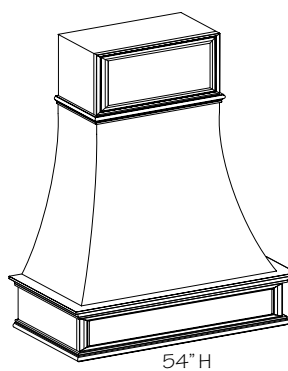
PE
APC
APFC
FPEB
MI
DE
CW
RD
ID
CH
XS
XSG
GD

Cabinet	Opening Sizes					
	Top Width	Top Depth	Bottom Width	Bottom Depth	Floor Opening Width	Floor Opening Depth
WHMSV36	33 1/8"	10 1/16"	34 3/8"	21 1/16"	29 1/8"	17"
WHMSV42	39 1/8"	10 1/16"	40 3/8"	21 1/16"	29 1/8"	17"
WHMSV48	45 1/8"	10 1/16"	46 3/8"	21 1/16"	29 1/8"	17"
WHMSV54	51 1/8"	10 1/16"	52 3/8"	21 1/16"	29 1/8"	17"

Wall Hood Cove Application



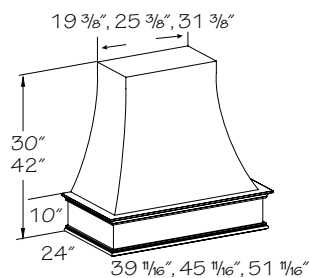
Onlays



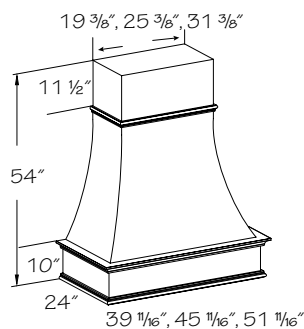
Drawer Front Panels

- Make the cooking area a dramatic focal point by adding a drawer front, appliance panel, molding or onlay to the cove hood to create architectural interest
- Decorate the front apron of the hood with a drawer front to add architectural interest from our Decorative Appliance Panel section
- Customize the 12" H cap on the 54" H units with a molding stack, custom appliance panel used as wainscot, or a decorative onlay
- Don't forget to trim out the top of your hood with the same top molding you are using for the wall cabinets in your kitchen

Wall Hood Cove



30" High
WHCV362430
WHCV422430
WHCV482430



42" High
WHCV362442
WHCV422442
WHCV482442

54" High
 * **WHCV362454**
 * **WHCV422454**
 * **WHCV482454**
 * 54" Cove Hood will have trim molding approximately 12" from the top of the chimney

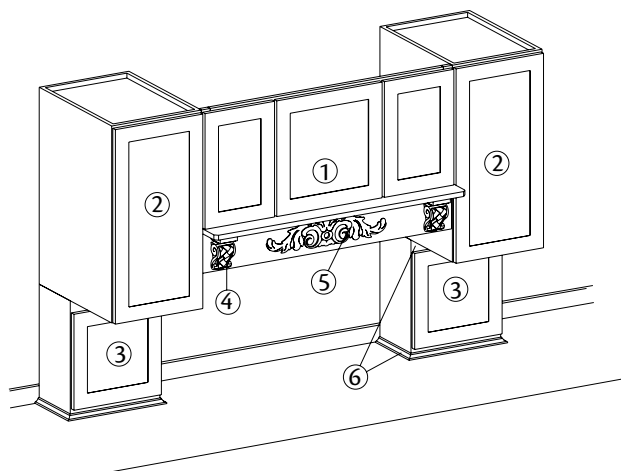
PE
❖ APC
APFC
FPEB
MI
DE
CW
RD
ID
CH
XS
XSG
GD

- Small Cove Casing (SCVCS) used with top component
- Available in Cherry, EverCore™, Thermofoil, Maple and Wood-Grain Foil door styles only
- Painted hardwood supplied for EverCore™
- Painted or Stained hardwood supplied for Wood-Grain Foil door styles
- Solid wood/wood veneer construction
- Check local building codes for required clearances between the Wall Hood and cooking surface
- Requires Wall Hood Component Package "G" or "P", located before the Wall Hood Designs in this section
- A 3" space is recommended on the right and left side of this unit before beginning the adjacent cabinet runs
- 30" high hoods are designed for use with 8 ft. ceilings
- 42" high hoods are designed for use with 9 ft. ceilings
- 54" high hoods are designed for use with 10 ft. ceilings
- Decorative molding on top matches Small Cove Molding profile (SCVM8). Bottom molding matches Cove Light Rail profile (CVLR8)
- Chimney section shipped separately
- Recirculating component packages are **not** available
- **Not** designed to be used with a soffit
- **Note:** Cabinetry and appliances located below these Wall Hoods **must** be pulled to a minimum of 27" deep and a maximum of 30" deep for improved function
- **Note:** Wall Hood **must** be securely anchored to wall

Opening Sizes				
Cabinet	Top Width	Top Depth	Bottom Width	Bottom Depth
WHCV36	12 13/16"	10 3/4"	34 1/2"	21 5/8"
WHCV42	18 13/16"	10 3/4"	40 1/2"	21 5/8"
WHCV48	24 13/16"	10 3/4"	46 1/2"	21 5/8"

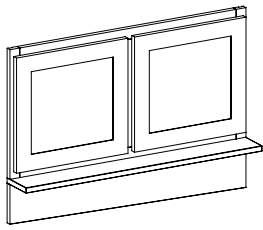
Surface Area Dimensions for Decorative Onlay Application				
Cabinet	Front Width	Front Height	Side Width	Side Height
WHCV36	36"	6 3/8"	22 1/4"	6 3/8"
WHCV42	42"	6 3/8"	22 1/4"	6 3/8"
WHCV48	48"	6 3/8"	22 1/4"	6 3/8"

Wall Hood Mantle Matching Application

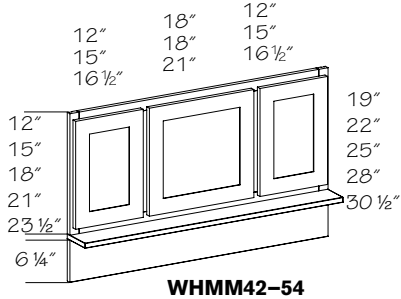


1. Wall Hood Mantle Matching (WHMM)
 2. Wall Hood Mantle Cabinet (WHMC)
 3. Under Cabinet Door Storage (UCDS)
 4. Corbels
 5. Onlay
 6. 3" rails allow for molding application at top or bottom of Under Cabinet Door Storage
- Gain a "Mantle" style appearance in your kitchen design while maximizing your storage
- Personalize the design by incorporating molding and companion onlays to enhance the cooking focal point of the kitchen
 - Wall Hood Mantle Cabinets **must** be used to support the hood. The increased overall depth makes a "bump-out" focal point that is easy to design
 - 18" deep Wall Hood Mantle Cabinets are to be used with 30"-36" Wall Hood Mantle Matching (WHMM) units only. Larger units will **not** ventilate properly
 - Add an LED Lighting Kit near the front, beneath the Wall Hood Mantle Cabinets (B) to highlight lower storage
 - Create a hearth surround for the cooking area in your kitchen with components that work as a system for 84", 87", 90", 93" and 96" high cabinetry designs

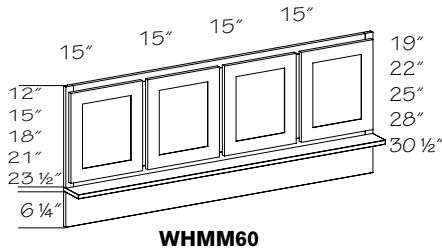
Wall Hood Mantle Matching




- 19" High*
- WHMM3019**
 - WHMM3619**
 - WHMM4219**
 - WHMM4819**
 - WHMM5419**
 - WHMM6019**
- 22" High*
- WHMM3022**
 - WHMM3622**
 - WHMM4222**
 - WHMM4822**
 - WHMM5422**
 - WHMM6022**



- 25" High*
- WHMM3025**
 - WHMM3625**
 - WHMM4225**
 - WHMM4825**
 - WHMM5425**

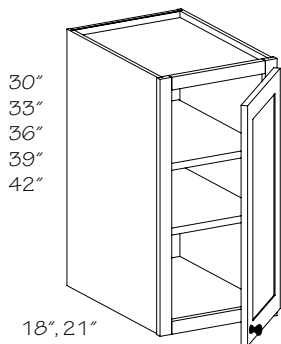


 Choose the Wall Hood Mantel Matching when you prefer a larger, wider focal point that matches your chosen door style. Personalize the front shelf area with an onlay or corbel. Personalize the design by incorporating companion onlays to enhance the cooking focal point of the kitchen

- Solid wood/wood veneer construction
- No end panels, **must** be supported on each side by Wall Hood Mantle Cabinet or Wall Column
- 3/4" thick, 4 1/4" deep solid wood shelf
- 19" high hoods are designed to be set 29" above the cooking surface (84" ceiling)
- 22" high hoods are designed to be set 29" above the cooking surface (87" ceiling)
- 25" high hoods are designed to be set 29" above the cooking surface (90" ceiling)
- 28" high hoods are designed to be set 29" above the cooking surface (93" ceiling)
- 30 1/2" high hoods are designed to be set 29 1/2" above the cooking surface (96" ceiling)
- 30" and 36" wide used at 18" depth requires Wall Hood Component Package "L", located before the Wall Hood Designs in this section. Component package "L" is available for 18" deep hoods only
- 36"-60" wide used at 21" deep will use Wall Hood Component Package "I" or "Q", located before the Wall Hood Designs in this section
- Doors open to facilitate duct installation and wiring
- Will accept optional onlays, ordered separately; see Molding Accents section
- Thermofoils are painted hardwood
- Quartersawn door styles are supplied plain sawn
- **Note:** Cabinetry and appliances located below these Wall Hoods **must** be pulled to a minimum of 27" deep and a maximum of 30" deep for improved function

PE
◆ APC
◆ APFC
◆ FPFB
◆ MI
◆ DE
◆ CW
◆ RD
◆ ID
◆ CH
◆ XS
◆ XSG
◆ GD

Wall Hood Mantle Cabinet

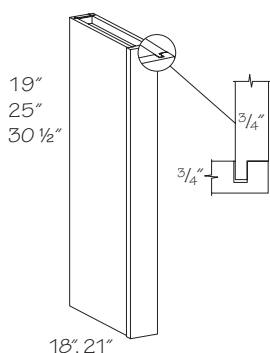


- Two Shelves*
30" High
- WHMC121830 R or L**
 - WHMC151830 R or L**
 - WHMC181830 R or L**
 - WHMC122130 R or L**
 - WHMC152130 R or L**
 - WHMC182130 R or L**
- Two Shelves*
33" High
- WHMC121833 R or L**
 - WHMC151833 R or L**
 - WHMC181833 R or L**
 - WHMC122133 R or L**
 - WHMC152133 R or L**
 - WHMC182133 R or L**
- Three Shelves*
39" High
- WHMC121839 R or L**
 - WHMC151839 R or L**
 - WHMC181839 R or L**
 - WHMC122139 R or L**
 - WHMC152139 R or L**
 - WHMC182139 R or L**
- Three Shelves*
42" High
- WHMC121842 R or L**
 - WHMC151842 R or L**
 - WHMC181842 R or L**
 - WHMC122142 R or L**
 - WHMC152142 R or L**
 - WHMC182142 R or L**
- Three Shelves*
36" High
- WHMC121836 R or L**
 - WHMC151836 R or L**
 - WHMC181836 R or L**
 - WHMC122136 R or L**
 - WHMC152136 R or L**
 - WHMC182136 R or L**

- Specify R or L for single door hinging
- Additional support required
- 18" deep Wall Hood Mantle Cabinets are to be used with 30"-36" Wall Hood Mantle Matching (WHMM) units only. Larger units will **not** ventilate properly
- Thermofoils are painted hardwood
- Bottom door is always square
- Void All Door and Drawer Front option (VDA) is **not** available
- ☆ APFC standard when APC option is selected

PE
● APC
☆ APFC
◆ FPFB
● MI
● DE
◆ CW
◆ RD
◆ ID
◆ CH
● XS
● XSG
● GD

Wall Hood Mantle Column

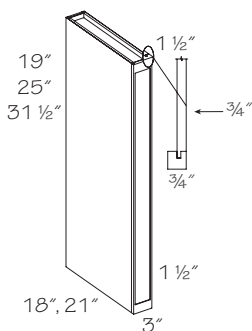


- 19" High
WC31819
WC32119
- 25" High
WC31825
WC32125
- 31" High
WC31831
WC32131

- Front is 3/4" solid wood
 - Quartersawn Oak door styles have 3/4" solid quartersawn wood front and quartersawn wood veneer end panels
 - Painted hardwood supplied for EverCore™
 - Plain sawn material supplied for Bristow Crafted door styles
 - Finished front and both sides
 - Reversible, may be used on either right or left end
 - Foil-wrapped MDF supplied for Wood-Grain Foil door styles
- ☆ APFC standard when APC option is selected

PE
● APC
☆ APFC
❖ FPFB
MI
DE
CW
● RD
● ID
● CH
XS
XSG
GD

Wall Hood Mantle Column–Sterling

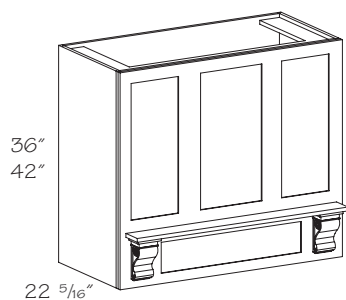


- 19" High
STWC31819
STWC32119
- 25" High
STWC31825
STWC32125
- 31 1/2" High
STWC31831
STWC32131

- Front is 3/4" solid wood
 - Available in Cherry, EverCore™, Maple, Rustic Alder and Wood-Grain Foil door styles only
 - Painted hardwood supplied for EverCore™
 - Painted hardwood supplied for Wood-Grain Foil door styles; only available in white
 - Finished front and both sides
 - Reversible, may be used on either right or left end
- ☆ APFC standard when APC option is selected

PE
● APC
☆ APFC
❖ FPFB
MI
DE
CW
● RD
● ID
● CH
XS
XSG
GD

Wall Hood Cabinet Run - Rosette Corbel

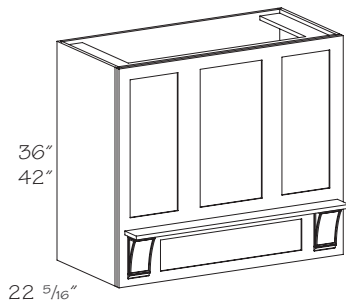


- 36" High
WHCR422236 .RC
WHCR482236 .RC
WHCR542236 .RC
- 42" High
WHCR422242 .RC
WHCR482242 .RC
WHCR542242 .RC

- **Not** available in mitered door styles, quartersawn door styles, rustic door styles, Evercore™ door styles, slab door styles, and all High-gloss foil, Thermofoil or Wood-Grain foil door styles
- Solid wood/wood veneer construction
- Front panel designed to coordinate with the selected door style
- Check local building codes for required clearances between the Wall Hood and cooking surface
- Requires Wall Hood Component Package "G" or "P", located before the Wall Hood Designs in this section
- Front panel is removable to facilitate duct installation and wiring
- Rosette Corbel design also sold separately
- 36" wide units will have a single panel
- Weight capacity of 10 lbs.
- **Note:** Cabinetry and appliances located below these Wall Hoods **must** be pulled to a minimum of 27" deep and a maximum of 30" deep for improved function

PE
❖ APC
APFC
FPFB
MI
DE
CW
RD
ID
CH
XS
XSG
GD

Wall Hood Cabinet Run - Sterling Corbel



36" High

WHCR422236 .SC**WHCR482236 .SC****WHCR542236 .SC**

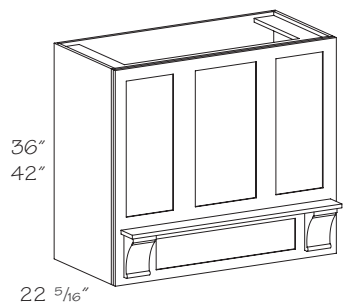
42" High

WHCR422242 .SC**WHCR482242 .SC****WHCR542242 .SC**

- **Not** available in mitered door styles, quartersawn door styles, rustic door styles, Evercore™ door styles, slab door styles, and all High-gloss foil, Thermofoil or Wood-Grain foil door styles
- Solid wood/wood veneer construction
- Front panel designed to coordinate with the selected door style
- Check local building codes for required clearances between the Wall Hood and cooking surface
- Requires Wall Hood Component Package "G" or "P", located before the Wall Hood Designs in this section
- Front panel is removable to facilitate duct installation and wiring
- Sterling Corbel design also sold separately
- 36" wide units will have a single panel
- Weight capacity of 10 lbs.
- **Note:** Cabinetry and appliances located below these Wall Hoods **must** be pulled to a minimum of 27" deep and a maximum of 30" deep for improved function

PE
❖ APC
APFC
FPEB
MI
DE
CW
RD
ID
CH
XS
XSG
GD

Wall Hood Cabinet Run - Transitional Corbel



36" High

WHCR422236 .TRC**WHCR482236 .TRC****WHCR542236 .TRC**

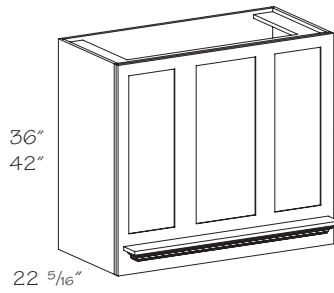
42" High

WHCR422242 .TRC**WHCR482242 .TRC****WHCR542242 .TRC**

- **Not** available in mitered door styles, quartersawn door styles, rustic door styles, Evercore™ door styles, slab door styles, and all High-gloss foil, Thermofoil or Wood-Grain foil door styles
- Solid wood/wood veneer construction
- Front panel designed to coordinate with the selected door style
- Check local building codes for required clearances between the Wall Hood and cooking surface
- Requires Wall Hood Component Package "G" or "P", located before the Wall Hood Designs in this section
- Front panel is removable to facilitate duct installation and wiring
- Transitional Corbel design also sold separately
- 36" wide units will have a single panel
- Weight capacity of 10 lbs.
- **Note:** Cabinetry and appliances located below these Wall Hoods **must** be pulled to a minimum of 27" deep and a maximum of 30" deep for improved function

PE
❖ APC
APFC
FPEB
MI
DE
CW
RD
ID
CH
XS
XSG
GD

Wall Hood Cabinet Run - Shelf w/Classic Crown Molding



30" High

WHCR362230 .CCM
WHCR422230 .CCM
WHCR482230 .CCM
WHCR542230 .CCM

36" High

WHCR362236 .CCM
WHCR422236 .CCM
WHCR482236 .CCM
WHCR542236 .CCM

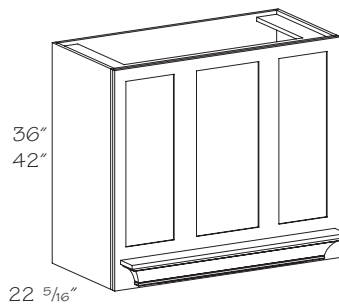
42" High

WHCR362242 .CCM
WHCR422242 .CCM
WHCR482242 .CCM
WHCR542242 .CCM

- **Not** available in mitered door styles, quartersawn door styles, rustic door styles, Evercore™ door styles, slab door styles, and all High-gloss foil, Thermofoil or Wood-Grain foil door styles
- Solid wood/wood veneer construction
- Front panel designed to coordinate with the selected door style
- Check local building codes for required clearances between the Wall Hood and cooking surface
- Requires Wall Hood Component Package "C" or "P", located before the Wall Hood Designs in this section
- Front panel is removable to facilitate duct installation and wiring
- Shelf molding matches Classic Crown Molding (CCM8)
- 36" wide units will have a single panel
- Weight capacity of 10 lbs.
- **Note:** Cabinetry and appliances located below these Wall Hoods **must** be pulled to a minimum of 27" deep and a maximum of 30" deep for improved function

PE
❖ APC
APFC
FPEB
MI
DE
CW
RD
ID
CH
XS
XSG
GD

Wall Hood Cabinet Run - Shelf w/Extra Large Cove Molding



30" High

WHCR362230 .XLCVM
WHCR422230 .XLCVM
WHCR482230 .XLCVM
WHCR542230 .XLCVM

36" High

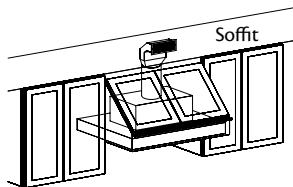
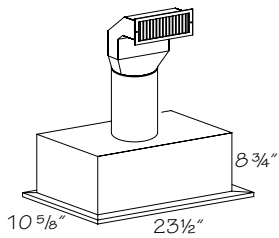
WHCR362236 .XLCVM
WHCR422236 .XLCVM
WHCR482236 .XLCVM
WHCR542236 .XLCVM

42" High

WHCR362242 .XLCVM
WHCR422242 .XLCVM
WHCR482242 .XLCVM
WHCR542242 .XLCVM

- **Not** available in mitered door styles, quartersawn door styles, rustic door styles, Evercore™ door styles, slab door styles, and all High-gloss foil, Thermofoil or Wood-Grain foil door styles
- Solid wood/wood veneer construction
- Front panel designed to coordinate with the selected door style
- Check local building codes for required clearances between the Wall Hood and cooking surface
- Requires Wall Hood Component Package "C" or "P", located before the Wall Hood Designs in this section
- Front panel is removable to facilitate duct installation and wiring
- Shelf molding matches Extra Large Cove Molding (XLCVM8)
- 36" wide units will have a single panel
- Weight capacity of 10 lbs.
- **Note:** Cabinetry and appliances located below these Wall Hoods **must** be pulled to a minimum of 27" deep and a maximum of 30" deep for improved function

PE
❖ APC
APFC
FPEB
MI
DE
CW
RD
ID
CH
XS
XSG
GD



Example of installation when soffit is present

Wall Hood Component Package (A, B & C)–Recirculating

Package "A"

RHCP30 R .SN
RHCP36 R .SN

Package "B"

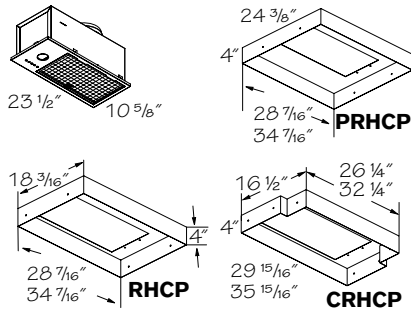
CRHCP30 R .SN
CRHCP36 R .SN

Package "C"

PRHCP30 R .SN
PRHCP36 R .SN

- This unit includes a satin nickel colored metal liner, and an easy to clean aluminum mesh filter. This is powered by a 390 CFM squirrel cage fan and has push button controls. This unit comes with two feet of 7" round ductwork, a 90° elbow, charcoal filter and grille with white vent
- Requires a 50 watt, 120 volt halogen lamp (MR16 GU10 base) which are available at hardware or lighting retailers

Wall Hood Component Package (D, E & F)–Vented



Package "D"

RHCP30 V .SN Satin Nickel
RHCP36 V .SN Satin Nickel

Package "E"

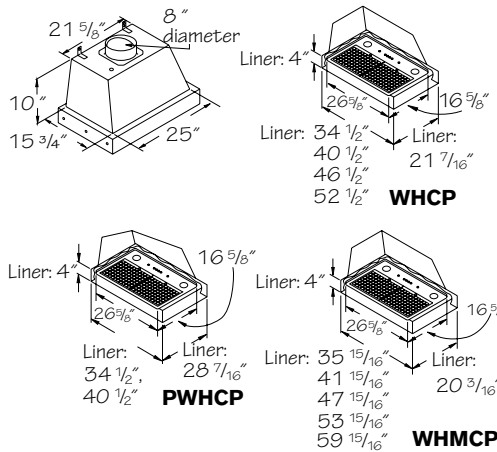
CRHCP30 V .SN Satin Nickel
CRHCP36 V .SN Satin Nickel

Package "F"

PRHCP30 V .SN Satin Nickel
PRHCP36 V .SN Satin Nickel

- This unit includes metal liner, and an easy to clean aluminum mesh filter. This is powered by a 390 CFM squirrel cage fan and has push button controls. 7" round duct vents on top
- Requires a 50 watt, 120 volt halogen lamp (MR16 GU10 base) which are available at hardware or lighting retailers

Wall Hood Component Package (G, H & I)–Vented



Package "G"

WHCP3624 V
WHCP4224 V
WHCP4824 V
WHCP5424 V

Package "H"

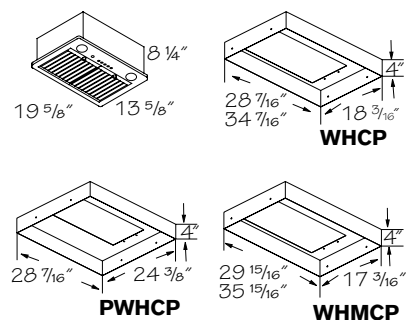
PWHCP3633 V
PWHCP4233 V

Package "I"

WHMCP3621 V
WHMCP4221 V
WHMCP4821 V
WHMCP5421 V
WHMCP6021 V

- This unit is used for ducted to exterior installation
- Powered by a 660 CFM 3-speed squirrel cage fan with push button controls
- Requires two 50 watt, 120 volt halogen light bulbs (MR16 GU10 base) which are available at hardware or lighting retailers
- Easy to clean aluminum mesh filter
- Includes stainless steel liner
- Interior of stainless liner is clear, powder coated
- Front panel of blower is covered with a removable protective peel-coat to prevent scratching

Wall Hood Component Package (J, K & L)–Vented



Package "J"

WHCP3019 V
WHCP3619 V

Package "K"

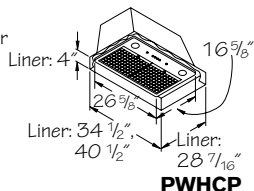
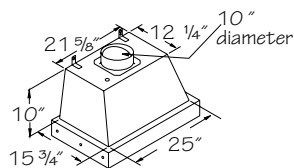
PWHCP3028 V

Package "L"

WHMCP3018 V
WHMCP3618 V

- This unit is used for ducted to exterior installation
- Powered by a 390 CFM squirrel cage fan and has push button controls
- Easy to clean aluminum mesh filter
- Includes stainless steel liner
- Interior of stainless liner is clear, powder coated
- 7" round duct
- Requires two 50 watt, 120 volt halogen light bulbs (MR16 GU10 base) which are available at hardware or lighting retailers
- Front panel of blower is covered with a removable protective peel-coat to prevent scratching

Wall Hood Component Package (O, P, Q)-Vented

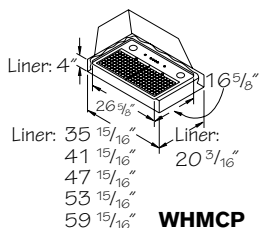
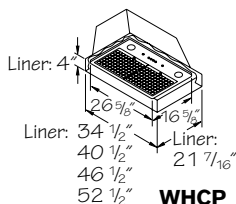


Package "O"
PWHCP3633 V.2
PWHCP4233 V.2

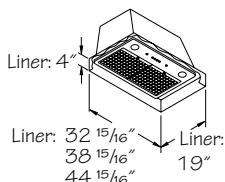
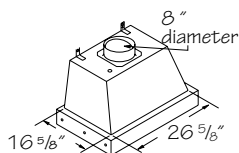
Package "P"
WHCP3624 V.2
WHCP4224 V.2
WHCP4824 V.2
WHCP5424 V.2

Package "Q"
WHMCP3621 V.2
WHMCP4221 V.2
WHMCP4821 V.2
WHMCP5421 V.2
WHMCP6021 V.2

- This unit is used for ducted to exterior installation
- 10" round duct vents on top
- Powered by a 980 CFM 3-speed squirrel cage fan and has push button controls
- Requires two 50 watt, 120 volt halogen light bulbs (MR16 GU10 base) which are available at hardware or lighting retailers
- Easy to clean aluminum mesh filter
- Interior of stainless liner is clear, powder coated
- Front panel of blower is covered with a protective white vinyl to prevent scratching



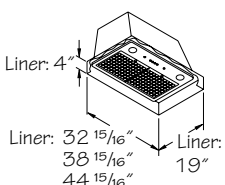
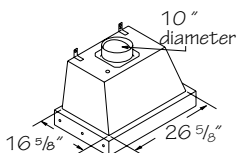
Wall Hood Component Package (R)-Vented



WHCP4222 V
WHCP4822 V
WHCP5422 V

- This unit is used for ducted to exterior installation
- 42, 48 and 54 powered by a 660 CFM squirrel cage fan and has push button controls
- Easy to clean aluminum mesh filter
- Includes stainless steel liner
- Interior of stainless liner is clear, powder coated
- 8" round duct vents on top
- Requires two 50 watt, 120 volt halogen light bulbs (MR16 GU10 base) which are available at hardware or lighting retailers
- Front panel of blower is covered with a removable protective peel-coat to prevent scratching

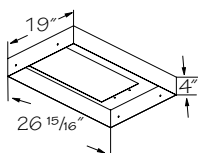
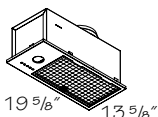
Wall Hood Component Package (S)-Vented



WHCP4222 V.2
WHCP4822 V.2
WHCP5422 V.2

- This unit is used for ducted to exterior installation
- Powered by a 980 CFM squirrel cage fan and has push button controls
- Easy to clean aluminum mesh filter
- Includes stainless steel liner
- Interior of stainless liner is clear, powder coated
- 10" round duct vents on top
- Requires two 50 watt, 120 volt halogen light bulbs (MR16 GU10 base) which are available at hardware or lighting retailers
- Front panel of blower is covered with a removable protective peel-coat to prevent scratching

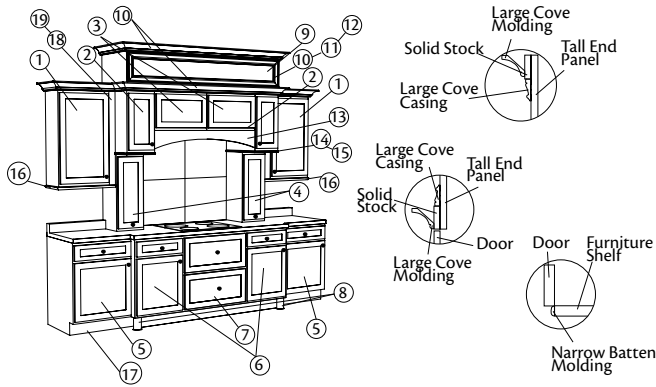
Wall Hood Component Package (T)-Vented



WHCP3622 V

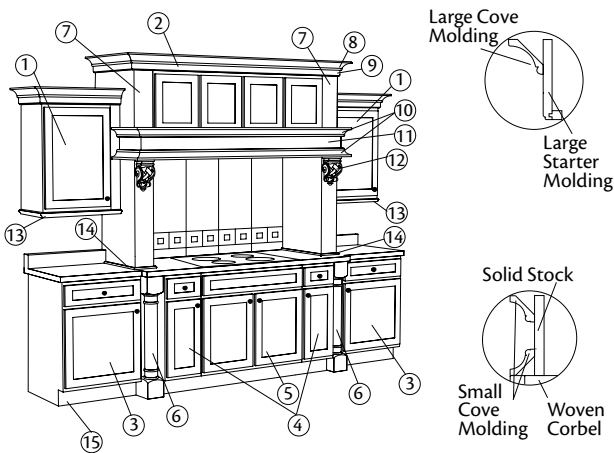
- This unit is used for ducted to exterior installation
- Powered by a 390 CFM squirrel cage fan and has push button controls
- Easy to clean aluminum mesh filter
- Includes stainless steel liner
- Interior of stainless liner is clear, powder coated
- 7" round duct vents on top
- Requires two 50 watt, 120 volt halogen light bulbs (MR16 GU10 base) which are available at hardware or lighting retailers
- Front panel of blower is covered with a removable protective peel-coat to prevent scratching

Wall Hood Design Idea 1



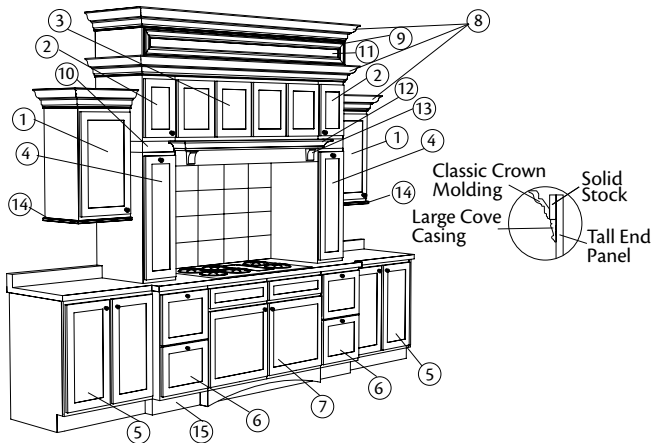
1. Wall Cabinets
2. Wall Cabinets (Increased Depth to 21"; with Furniture Plywood Ends)
3. Wall Top Hinge Cabinets
4. Wall Pantry Pull-out (with Furniture Plywood Ends)
5. Base Cabinets
6. Base Cabinet (pulled to 27"; with Furniture Plywood Ends; Void Toe Kick)
7. Base Pots and Pans Storage (pulled to 27"; Scoop Top Drawer; Void Toe Kick)
8. Aluminum Round Legs
9. Wood Tall End Panel (cut to build box)
10. Large Cove Molding
11. Large Cove Casing
12. Solid Stock
13. Valance-Cove
14. Furniture Shelves
15. Narrow Batten Molding (applied to exposed edges)
16. Cove Light Rail
17. Toe Kick Material
18. Wall Filler
19. Wall Filler Overlay

Wall Hood Design Idea 2



1. Wall Cabinets (with Integrated Extended Stile)
2. Wall Hood Mantle Matching
3. Base Cabinets
4. Base Cabinets (pulled to 27"; with Furniture Plywood Ends)
5. Range Base 27" D
6. Roman Spindle with filler behind
7. Tall Column
8. Large Cove Molding
9. Large Starter Molding
10. Small Cove Molding
11. Solid Stock
12. Woven Corbel
13. Small Cove Light Rail
14. Ogee Edging
15. Toe Kick Material

Wall Hood Design Idea 3



1. Wall Cabinets (ID to 15)
2. Wall Cabinet (ID to 21"; with Furniture Plywood Ends)
3. Wall Hood Mantle Matching
4. Wall Pantry Pull-out (pulled to 21"; skin sides)
5. Base Cabinets
6. Base Pots & Pans Storage (with Furniture Plywood Ends; pull to 27")
7. Range Base 27"D (Wide Rail Cove; with Furniture Plywood Ends)
8. Classic Crown Molding
9. Large Cove Casing
10. Solid Stock
11. Tall End Panel (cut to build box)
12. Large Cove Molding
13. Cove Corbel
14. Single Bead Pilaster
15. Toe Kick Material

Wall Specialty Cabinets

Construction Options and Modifications

WMSP	36	36
code	width	height

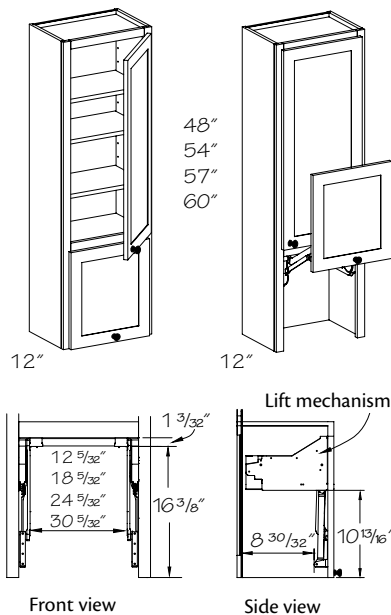
Material dimensions listed may vary slightly from actual dimensions of the product.

Specifications subject to change without notice.

- ❖ Included as standard
- Available with an upcharge
- ☆ Available with exceptions
- (Blank) **Not** available

PE	Plywood Ends
APC	All Plywood Construction
APFC	All Plywood Furniture Construction
FPEB	Furniture Plywood Ends
MI	Matching Interior
DE	Integrated Decorative End
AD_E	Attached Decorative End
CW	Change Width
RD	Reduced Depth
ID	Increased Depth
CH	Change Height
TWR	Top Wide Rail
XS	Extended Stile
GD	Glass Doors

Wall Appliance Garage



Two shelves
48" High

- **WAG181248 R or L**
- **WAG241248 R or L**
- **WAG241248 BUTT**
- **WAG301248**
- **WAG361248**

Three shelves
54" High

- **WAG181254 R or L**
- **WAG241254 R or L**
- **WAG241254 BUTT**
- **WAG301254**
- **WAG361254**

Three shelves
57" High

- + **WAG181257 R or L**
- + **WAG241257 R or L**
- + **WAG241257 BUTT**
- + **WAG301257**
- + **WAG361257**

Three shelves
60" High

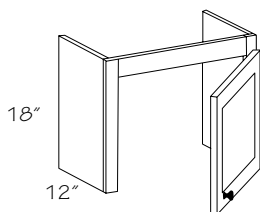
- + **WAG181260 R or L**
- + **WAG241260 R or L**
- + **WAG241260 BUTT**
- + **WAG301260**
- + **WAG361260**

+ Attached Decorative Ends (AD_E) option **not** available

- Specify R or L for single door hinging
- Adjustable shelves
- Clearance from countertop to bottom of door is 20 1/32"
- Adjustable Soft-Close lift mechanism standard
- Void All Door and Drawer Front option (VDA) is **not** available
- Bottom door is always square
- ☆ Glass doors available for top doors only
- ☆ Maximum Increased Depth (ID) is 24"

● PE
● APC
● APFC
● FPEB
● MI
● DE
☆ AD_E
● CW
● RD
☆ ID
● CH
● TWR
● XS
☆ GD

Door Storage

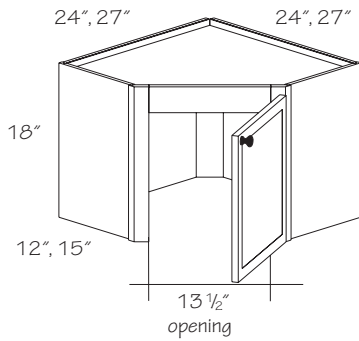


- **DOS18 R or L**
- **DOS21 R or L**
- **DOS24 BUTT**

○ Change Width (CW) option **not** available

- Specify R or L for single door hinging
- **Not** trimmable
- **Note:** Square doors will be supplied when ordered in arched door styles

● PE
● APC
● APFC
● FPEB
● MI
● DE
☆ AD_E
☆ CW
● RD
● ID
● CH
● TWR
● XS
● GD



Door Storage Angle

DOSA2418 R or L

★ **DOSA2718 R or L**

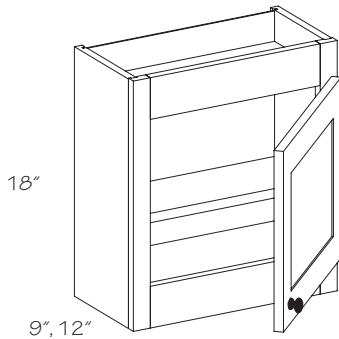
★ Furniture Plywood Ends (FPEB) standard; recommended Matching Interior option is MIFP

※ Flush Finished Ends standard

- Specify R or L for single door hinging
- Access height is 15"
- **Not** trimmable
- **Note:** Square doors will be supplied when ordered in arched door styles
- **Note:** Full overlay door styles use a 1/2" overlay hinge

● PE
● APC
● APFC
☆ FPEB
● MI
DE
AD_E
CW
RD
ID
CH
TWR
XS
● GD

Under Cabinet Door Storage



UCDS150918 R or L

UCDS180918 R or L

UCDS210918 R or L

UCDS151218 R or L

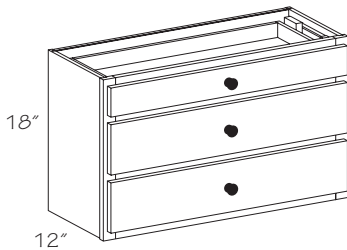
UCDS181218 R or L

UCDS211218 R or L

- Specify R or L for single door hinging
- One adjustable shelf
- Top and bottom rails are 3" high allowing for molding application
- Refer to the appliance manufacturer's specifications for clearance between the Under Cabinet Storage cabinets and the cooking surface for residential applications
- Consult your local building code to determine the amount of space required between the cooking surface and the Under Cabinet Storage cabinets for commercial applications
- If ordered in an arched door style, it will be supplied square
- Thermofolds are painted hardwood
- ☆ APFC standard when APC option is selected

PE
● APC
☆ APFC
☆ FPEB
● MI
DE
AD_E
CW
● RD
ID
CH
TWR
XS
● GD

Drawer Storage Cabinet



DS15

DS18

DS21

DS24

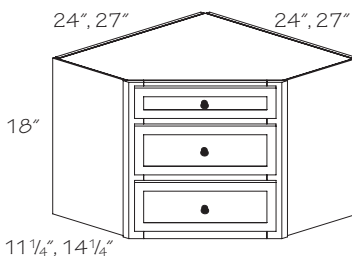
DS27

DS30

- Three drawers with full extension side-mount runners
- Top drawer will be slab, including DRPD, except Martel-Full and Rockwell door styles

● PE
● APC
● APFC
● FPEB
MI
● DE
AD_E
● CW
RD
ID
CH
TWR
● XS
GD

Drawer Storage Angle



DSA2418

☆ **DSA2718**

☆ Furniture plywood ends (FPEB) standard

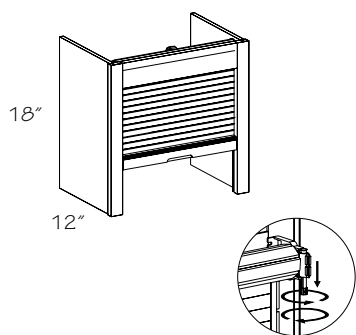
- Three drawers with full extension side-mount runners
- Top drawer will be slab, including DRPD, except Martel-Full and Rockwell door styles



When including any under cabinet storage unit, consider using a countertop with a loose backsplash. This will prevent having to notch the cabinet.

● PE
● APC
● APFC
☆ FPEB
MI
DE
AD_E
CW
RD
ID
CH
TWR
XS
GD

Tambour Storage 18" H

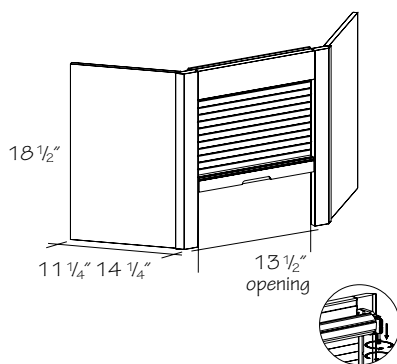


- TS18
- TS21
- TS24
- TS27
- TS30
- TS33
- TS36

- Tambour opens to allow 13 1/2" access height
- Tambour tension controlled with thumb screw adjustment
- Quartersawn door styles are supplied plain sawn
- Painted hardwood supplied for EverCore™
- **Not** available in High-Gloss Foil or Wood-Grain Foil door styles

●	PE
●	APC
●	APFC
●	FPEB
●	MI
●	DE
●	AD_E
●	CW
●	RD
●	ID
●	CH
●	TWR
●	XS
●	GD

Tambour Storage Angle



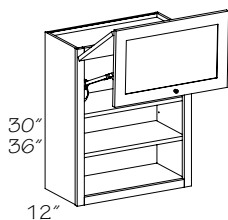
- TSA2418
- ★ TSA2718

★ Furniture Plywood Ends (FPEB) standard; recommended Matching Interior option is MIFP

- Tambour opens to allow 14" access height
- Tambour tension controlled with thumb screw adjustment
- This unit is shipped with the sides at 90° to the face frame
- Painted hardwood supplied for EverCore™
- Stained Oak supplied for Cannon Grey Wood-Grain Foil; Painted Maple supplied for Dove White Wood-Grain Foil
- Painted Maple (non-gloss) will be supplied for High-Gloss Foils
- **Installation Note:** These units may be installed flush with the face frame of a wall angle (WA) cabinet by trimming the height

●	PE
●	APC
●	APFC
☆	FPEB
●	MI
●	DE
●	AD_E
●	CW
●	RD
●	ID
●	CH
●	TWR
●	XS
●	GD

Wall Lateral Bi-Fold Cabinet



Two shelves
30" High

- WLBFB2430
- WLBFB3030
- WLBFB3630

Three shelves
36" High

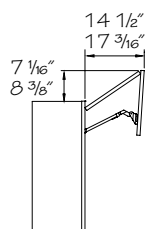
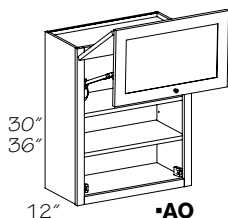
- WLBFB2436
- WLBFB3036
- WLBFB3636

With Auto-open Kit, Two shelves
30" High

- WLBFB2430 .AO
- WLBFB3030 .AO
- WLBFB3630 .AO

With Auto-open Kit, Three shelves
36" High

- WLBFB2436 .AO
- WLBFB3036 .AO
- WLBFB3636 .AO



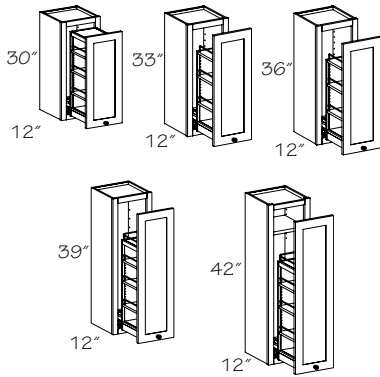
- Adjustable shelves
- Adjustable Soft-Close lift mechanism standard
- With the Auto-open Kit (AO), pressing lower corners of cabinet door triggers auto-open. Pressing a button on activator switch triggers auto-close. Doors can be operated manually if desired. Multiple units can also be synced to open and close simultaneously with the push of one button
- Auto-open Kit (AO) requires 110V power source at back of cabinet
- Breakaway hinge engages or separates, when an object is caught between the doors as they are closing
- Door-to-door hinge will show slightly when glass doors are applied
- Available in full overlay door styles only
- Allow 8 11/16" above the cabinet for proper door clearance
- Auto-open Kit (AO) feature offers programmable stop
- Permaset bumpers are **not** included on doors ordered with the Auto-open Kit (AO)
- ☆ **Not** available with Mullion glass doors (GD) option
- ☆ **Not** available with Camed glass door (GD) option
- ☆ Prep for Glass (DRS•PREP) **not** available
- ☆ **Not** available with Crossroads (CRO), Modern Textured (MRT) and Moire (MOI) Glass Inserts
- ☆ Antiquity Glass Insert (ATQ) **not** available on 36" wide cabinet
- **Note:** Auto-open Kit (AO) requires field installation
- **Note:** Square doors will be supplied when ordered in arched door styles

●	PE
●	APC
●	APFC
●	FPEB
●	MI
●	DE
●	AD_E
●	CW
●	RD
●	ID
●	CH
●	TWR
☆	GD



Any wall cabinet over 24" wide or 30" high or higher with a depth greater than 12" and/or with butt doors **must** be installed between two (2) cabinets, a cabinet and a wall or supported from below

Wall Pantry Pull-out

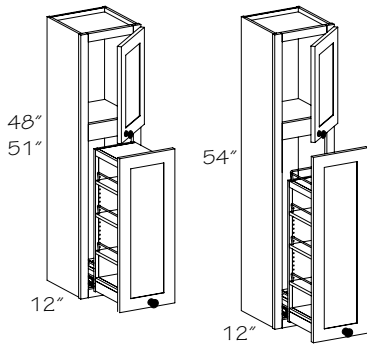


- 30" High
* **WPP930**
WPP1230
- 33" High
* **WPP933**
WPP1233
- 36" High
* **WPP936**
WPP1236
- 39" High
* **WPP939**
WPP1239
- 42" High
+* **WPP942**
+ **WPP1242**

- * Doors are square except full overlay arched door styles. Thermofoil doors will always be square. Vega doors will have a solid, recessed flat panel
- + One adjustable shelf above pull-out

● PE
● APC
● APFC
● FPEB
● MI
● DE
● AD_E
● CW
● RD
● ID
● CH
● TWR
● XS
● GD

Wall Pantry Pull-out Stack



- 48" High
*+ **WPPST948 R or L**
WPPST1248 R or L
- 51" High
*+ **WPPST951 R or L**
WPPST1251 R or L
- 54" High
*+ **WPPST954 R or L**
WPPST1254 R or L

- * Doors are square except full overlay arched door styles. Thermofoil doors will always be square. Vega doors will have a solid, recessed flat panel
- + Glass door option *not* available

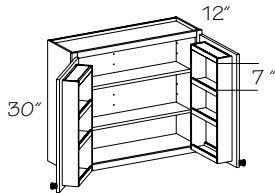
- Specify R or L for single door hinging
- Two vertical compartments with fixed rail and floor
- Bottom door is always square
- ☆ Glass doors available for top doors only



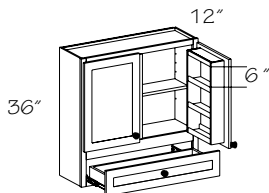
Any wall cabinet over 24" wide or 30" high or higher with a depth greater than 12" and/or with butt doors **must** be installed between two (2) cabinets, a cabinet and a wall or supported from below

● PE
● APC
● APFC
● FPEB
● MI
● DE
● AD_E
● CW
● RD
● ID
● CH
● TWR
● XS
☆ GD

Wall Multi-Storage Pantry



WMSP3630 (Butt)



WMSP3636

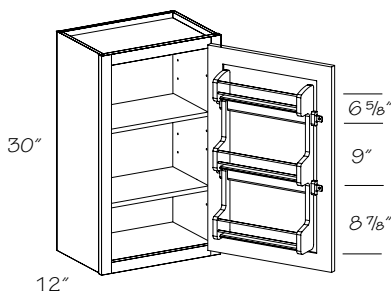
- WMSP3630 (Butt)**
- * **WMSP3636**

- * Full extension side-mount drawer glides; Mullion strip attached to left door

- Adjustable 7 1/8" deep shelves
- Two 4" deep door storage racks with three fixed shelves
- **Must** be installed between two cabinets or a cabinet and wall with supplied connectors

● PE
● APC
● APFC
● FPEB
● MI
● DE
● AD_E
● CW
● RD
● ID
● CH
● TWR
● XS
● GD

Wall Cabinet w/Spice Rack

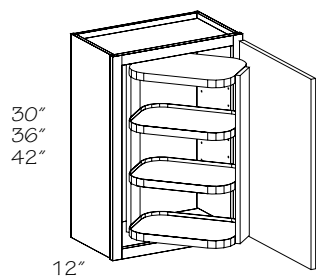


- W1530 R or LSR**
- W1830 R or LSR**
- W2130 R or LSR**

- Specify R or L for single door hinging
- Right shown
- Two standard depth adjustable shelves
- Spice rack is 3 1/8" deep, rack shelf is 2 1/8" deep

● PE
● APC
● APFC
● FPEB
● MI
● DE
● AD_E
● CW
● RD
● ID
● CH
● TWR
● XS
● GD

Wall Reverse-A-Shelf



Three shelves
W2130 R or L.RS 6 1/16" – 7 1/16" – 6 11/16"
W2136 R or L.RS 8 1/8" – 9 1/16" – 8 11/16"
 Four shelves
W2142 R or L.RS 7 3/16" – 8" – 8" – 7 5/8"

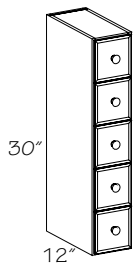
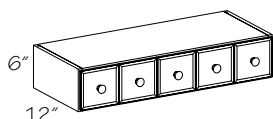
- Specify R or L for single door hinging
- Right shown
- Shelf assembly pivots 180° for full shelf access
- Vinyl laminated shelves with wood grain T-molding
- Contrasting Back Options (CBEB, CPLB, CVGR) **not** available
- **Note:** Cabinet is **not** reversible



We recommend using Under Cabinet Panels (UCP) on all wall cabinet runs. This will give the kitchen an elegant finished look. Unless ordered with a matching wood veneer interior option, the under side of wall cabinets are a natural birch material.

●	PE
●	APC
●	APFC
●	FPEB
	MI
●	DE
●	AD_E
	CW
	RD
	ID
	CH
	TWR
●	XS
●	GD

Spice Drawer Cabinet



Horizontal
SDC18 3 Drawers
SDC24 4 Drawers
SDC30 5 Drawers
SDC36 6 Drawers
SDC42 7 Drawers
 Vertical
VSDC6 5 Drawers

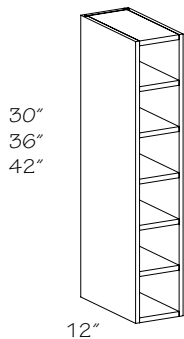
- 5/8" wood veneer construction on horizontal cabinets; vertical cabinets have 1/2" Plywood Ends (PE) standard; **not** available in plywood
- Drawer boxes have 1/2" sides and 3/4" floor, front and back
- Interior drawer depth 10 1/16"
- Solid wood 1/2" thick slab drawer fronts with a radius edge. Outside profile will **not** match the selected door style
- Drawer front is adjustable
- All drawer boxes are Natural Birch wood veneer plywood
- Drawer box slides along wood guide. Wood guide is used to keep drawers from moving left to right
- Vinyl edge banding applied to edges of cabinet
- Matching wood knobs included, **not** installed
- Replacement knobs available—use the following order codes: 161 for Maple; 171 for Cherry; 181 for Oak and Hickory; 191 for Alder; 634 for Thermofoils. See Decorative Hardware section for description
- **Not** available in High-Gloss Foil or Wood-Grain Foil door styles
- Quartersawn door styles are supplied plain sawn
- **Note:** This cabinet features "frameless" type construction



When using an Organizer (O—) Cabinet or Spice Drawer Cabinet (SDC), which have flush ends standard, under a wall cabinet at the end of a run, either attach Furniture Ends (FE) or order a 3/16" Wood Skin (WSK) for the wall cabinet to flush the ends. (There will be a seam.) Also, consider ordering a furniture matching wall end panel if the height of the finished product allows it. For an alternative, see our Organizer Wall Cabinet in the Office Cabinet section.

☆	PE
	APC
	APFC
	FPEB
❖	MI
	DE
	AD_E
	CW
	RD
	ID
	CH
	TWR
	XS
	GD

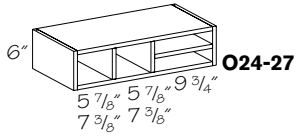
Wall Wine Rack Cabinet



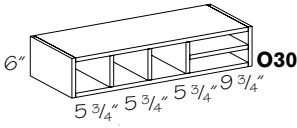
WWR630 5 shelves
WWR636 6 shelves
WWR642 7 shelves

- 1/2" plywood ends
- Crafted or Quartersawn door styles will be supplied in plain sawn wood
- Painted hardwood supplied for EverCore™
- Vinyl edge banding applied to edges of cabinet
- Recommended installation is between two cabinets
- Intended for vertical installation only
- Contrasting Back Options (CBEB, CPLB, CVGR) **not** available
- ☆ Reduced Depth (RD) **not** available in Foil door styles
- **Note:** This cabinet features "frameless" type construction

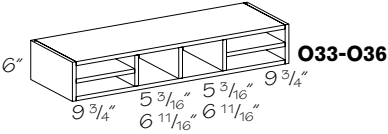
❖	PE
	APC
	APFC
	FPEB
❖	MI
	DE
	AD_E
	CW
☆	RD
	ID
	CH
	TWR
	XS
	GD



O24-27



O30



O33-O36

Organizers

- O24**
- O27**
- O30**
- O33**
- O36**

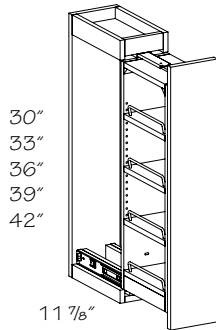
- 5/8" wood veneer construction; **not** available in plywood
- Crafted or Quartersawn door styles will be supplied in plain sawn wood
- Painted hardwood supplied for EverCore™
- Vinyl edge banding applied to edges of cabinet
- Contrasting Back Options (CBEB, CPLB, CVGR) **not** available
- **Note:** This cabinet features "frameless" type construction



When using an Organizer (O—) Cabinet or Spice Drawer Cabinet (SDC), which have flush ends standard, under a wall cabinet at the end of a run, either attach Furniture Ends (FE) or order a 3/16" Wood Skin (WSK) for the wall cabinet to flush the ends. (There will be a seam.) Also, consider ordering a furniture matching wall end panel if the height of the finished product allows it. For an alternative, see our Organizer Wall Cabinet in the Office Cabinet section.

PE
APC
APFC
FPEB
MI
DE
AD_E
CW
RD
ID
CH
TWR
XS
GD

Wall Filler Pull-out



- Three adjustable shelves*
30" High
- WFP3.30** 2 1/8" shelf width
- WFP6.30** 5 1/8" shelf width
- Three adjustable shelves*
33" High
- WFP3.33** 2 1/8" shelf width
- WFP6.33** 5 1/8" shelf width
- Four adjustable shelves*
36" High
- WFP3.36** 2 1/8" shelf width
- WFP6.36** 5 1/8" shelf width
- Four adjustable shelves*
39" High
- WFP3.39** 2 1/8" shelf width
- WFP6.39** 5 1/8" shelf width
- Five adjustable shelves*
42" High
- WFP3.42** 2 1/8" shelf width
- WFP6.42** 5 1/8" shelf width

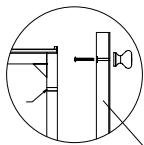
- Crafted or Quartersawn door styles will be supplied in plain sawn wood
- Painted hardwood supplied for EverCore™
- Painted or Stained hardwood supplied for Wood-Grain Foil door styles
- Unit slides on full extension side-mount runners
- Recommended installation is between two cabinets
- Installation may also be made between a cabinet and a wall or a cabinet and an end panel with stile
- Filler is included, but unattached. Unit should be installed before removing shipping brace and attaching filler
- A filler overlay is recommended for full overlay door styles; **must** be ordered separately



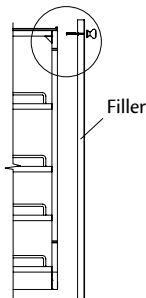
Do **not** use filler pullouts (WFP, BFP, BSPP) at the end of cabinet runs or next to appliances. They **must** be installed between two cabinets or a cabinet and an end panel.

PE
APC
APFC
FPEB
MI
DE
AD_E
CW
RD
ID
CH
TWR
XS
GD

Install decorative hardware prior to attaching filler to pull-out unit



Filler



Side View

Wall Accessories

Construction Options and Modifications

PCWFC	3	15	24
code	width	depth	height

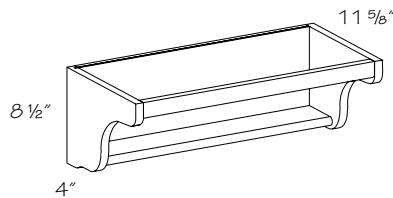
- ◆ Included as standard
- Available with an upcharge
- ☆ Available with exceptions
- (Blank) **Not** available

- PE Plywood Ends
- APC All Plywood Construction
- APFC All Plywood Furniture Construction
- FPEB Furniture Plywood Ends
- MI Matching Interior
- CW Change Width
- RD Reduced Depth
- ID Increased Depth
- CH Change Height
- XS Extended Stile
- GD Glass Doors

Material dimensions listed may vary slightly from actual dimensions of the product.

Specifications subject to change without notice.

Under Cabinet Shelf

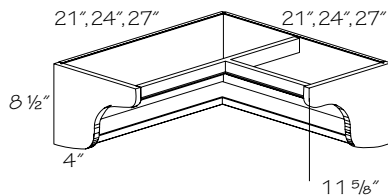


- UCS12
- UCS15
- UCS18
- UCS21
- UCS24
- UCS27
- UCS30
- UCS33
- UCS36

- 3 7/8" shelf depth
- Solid wood/wood veneer construction
- Quartersawn door styles are supplied plain sawn
- Painted hardwood supplied for EverCore™

PE
APC
APFC
FPEB
MI
● CW
RD
ID
CH
XS
GD

Under Cabinet Shelf Corner

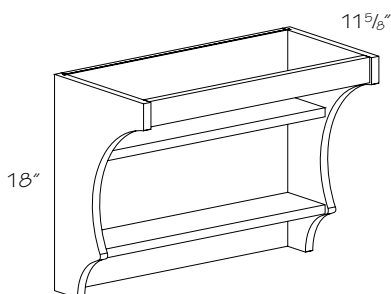


- UCSC2121
- UCSC2424
- UCSC2727

- 3 7/8" shelf depth
- Solid wood/wood veneer construction
- For use with Wall Easy Reach (WEZR) Cabinets only
- Quartersawn door styles are supplied plain sawn
- Painted hardwood supplied for EverCore™
- Painted or Stained hardwood supplied for Wood-Grain Foil door styles

PE
APC
APFC
FPEB
MI
CW
RD
ID
CH
XS
GD

Under Cabinet Shelf 18" H



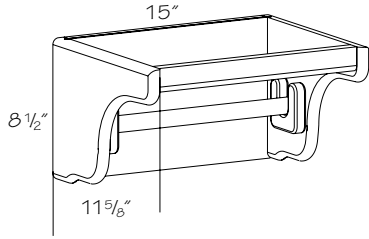
- UCS1218
- UCS1518
- UCS1818
- UCS2118
- UCS2418
- UCS2718
- UCS3018
- UCS3318
- UCS3618

- 4 7/8" shelf depth
- Solid wood/wood veneer construction
- Painted hardwood supplied for EverCore™ and Thermofoil
- Quartersawn door styles are supplied plain sawn

PE
APC
APFC
FPEB
MI
● CW
RD
ID
CH
XS
GD

Paper Towel Holder

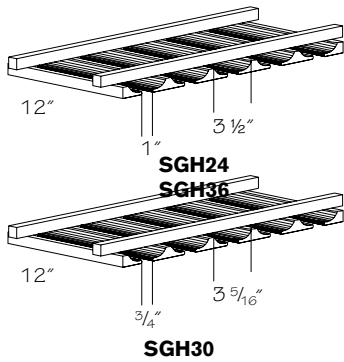
PTH15



- 4 7/8" shelf depth
- Solid wood/wood veneer construction
- Painted hardwood supplied for EverCore™ and Thermofoil
- Quartersawn door styles are supplied plain sawn

PE
APC
APFC
FPEB
MI
CW
RD
ID
CH
XS
GD

Stem Glass Holder



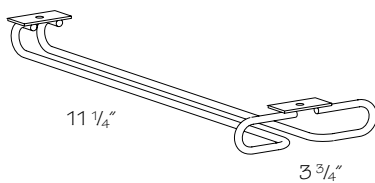
SGH24 5 Sections
SGH30 7 Sections
SGH36 8 Sections

- Solid wood
- Mounts to bottom of wall cabinet
- Can be cut to fit smaller cabinets
- Oak supplied for Hickory
- High-Gloss finishes will be supplied as matching standard finish
- Quartersawn door styles are supplied plain sawn

PE
APC
APFC
FPEB
MI
CW
RD
ID
CH
XS
GD

Wire Stem Glass Holder

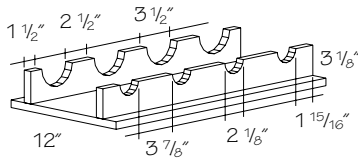
WSGH .SC Satin Chrome



- Mounts to underside of cabinet; a 3/4" spacer or Under Cabinet Panel (UCP) needed for proper installation
- Mounting screws included

PE
APC
APFC
FPEB
MI
CW
RD
ID
CH
XS
GD

Wine Shelf

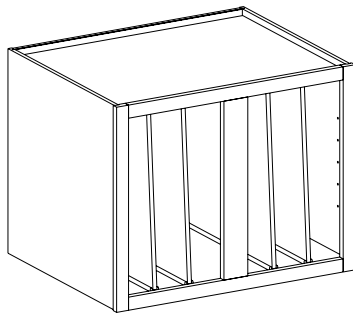


- WS24** 4 Bottles
- WS30** 5 Bottles
- WS36** 6 Bottles

- Solid wood/wood veneer construction
- Quartersawn door styles are supplied plain sawn
- Edgebanded one long and two short edges
- May be trimmed in field
- Crafted or Quartersawn door styles will be supplied in plain sawn wood
- Thermofoils are painted hardwood

PE
APC
APFC
FPEB
MI
CW
RD
ID
CH
XS
GD

Tray Dividers–Wall

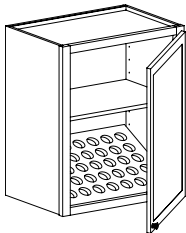


- 1TD**
- 2TD**
- 3TD**
- 4TD**
- 5TD**
- 6TD**

- Available factory installed for 24" deep wall refrigerator (WR) cabinets only
- Installed in wood or plastic U-channels
- Shelves are eliminated when this option is selected
- Specify quantity and location
- 1/2" printed hardwood
- Order Example: WR2724-3TD (spaced evenly)

PE
APC
APFC
FPEB
MI
CW
RD
ID
CH
XS
GD

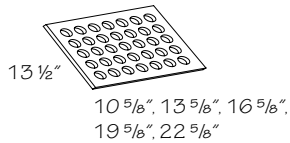
K-Cup® Shelf Kit



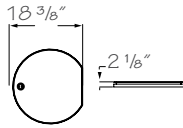
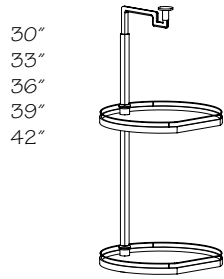
- KCSK12** Holds 20 K-Cups®
- KCSK15** Holds 25 K-Cups®
- KCSK18** Holds 35 K-Cups®
- KCSK21** Holds 40 K-Cups®
- KCSK24** Holds 45 K-Cups®

- Available for 12" deep cabinets only
- Field installation only
- K-cup® is a registered trademark of Keurig Green Mountain, Inc.

PE
APC
APFC
FPEB
MI
CW
RD
ID
CH
XS
GD



Chrome Lazy Susan Kit for Wall Angle Cabinets

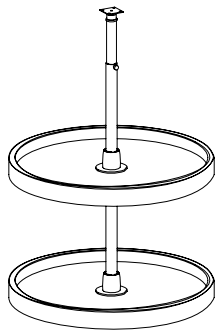


- LSKC30.33** for 30" and 33" high
- LSKC36.39** for 36" and 39" high
- LSKC42** for 42" high

- 19 11/16" diameter rotating shelves
- Maximum weight per shelf is 18 lbs.
- Shelves rotate together
- Shelves are wood grain melamine with chrome rails
- Designed for installation in a WA24__ cabinet only
- Field installation only

PE
APC
APFC
FPEB
MI
CW
RD
ID
CH
XS
GD

Wood Lazy Susan Kit for Wall Angle Cabinets

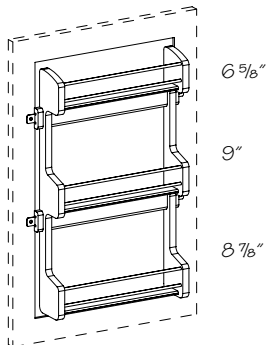


- Two shelves*
- LSK18 .WLS** for 30" high
 - LSK1833 .WLS** for 33" high
- Three shelves*
- LSK1836 .WLS** for 36" high
 - LSK1839 .WLS** for 39" high
 - LSK1842 .WLS** for 42" high

- 19 1/2" diameter rotating shelves
- Rotating shelves have plywood floor and solid wood trim
- Designed for installation in a WA24__ cabinet only
- Field installation only

PE
APC
APFC
FPEB
MI
CW
RD
ID
CH
XS
GD

Spice Rack Kit

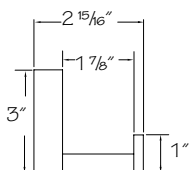
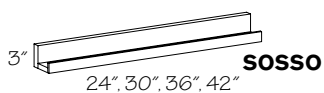


- SRK15** 9 1/2" wide
- SRK18** 12 1/2" wide
- SRK21** 15 1/2" wide

- Rack is 3 1/8" deep
- Three fixed shelves, 2 1/8" deep
- Minimum cabinet height 30"
- Includes mounting hardware
- Field installation only

PE
APC
APFC
FPEB
MI
CW
RD
ID
CH
XS
GD

Spice Open Storage



With Bottles

SOS24 Supplied with 12 spice bottles

SOS30 18 spice bottles

SOS36 18 spice bottles

SOS42 24 spice bottles

Shelf Only

SOSSO24

SOSSO30

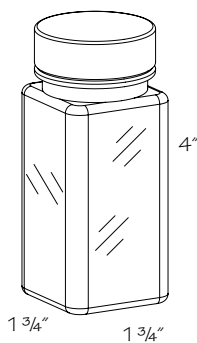
SOSSO36

SOSSO42

- Spice bottles measure 1 3/4" x 1 3/4" x 4", 4 oz. capacity, clear glass
- Satin metal lids
- Painted or Stained hardwood supplied for Wood-Grain Foil door styles
- **Note:** SOS30 is supplied with 18 spice bottles, 15 bottles will fit on the shelf. SOS42 is supplied with 24 spice bottles, 21 bottles will fit on the shelf

PE
APC
APFC
FPEB
MI
CW
RD
ID
CH
XS
GD

Replacement Spice Bottle

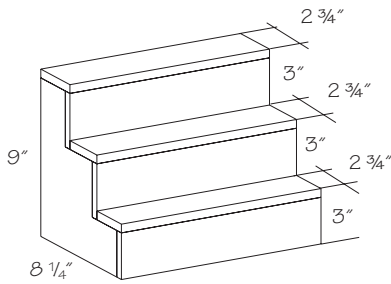


SPBTL

- Spice bottles measure 1 3/4" x 1 3/4" x 4", 4 oz. capacity, clear glass
- Satin metal lids
- Also used with the Spice Caddy (SPCD.B or SPCD)
- Sold in quantities of 6

PE
APC
APFC
FPEB
MI
CW
RD
ID
CH
XS
GD

Tiered Storage Shelf

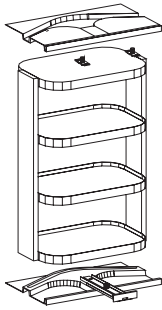


TSS15
TSS18
TSS21

- Solid wood
- Field installation only

PE
APC
APFC
FPEB
MI
CW
RD
ID
CH
XS
GD

Reverse-A-Shelf Kit

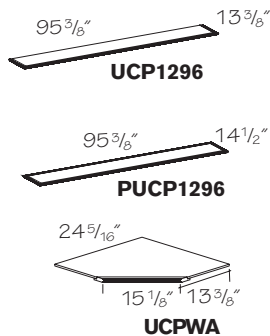


Three Shelves Shelf clearance top to bottom
RSK2130 6 1/16" – 7 1/16" – 6 11/16"
RSK2136 8 1/8" – 9 1/16" – 8 11/16"
 Four Shelves
RSK2142 7 3/16" – 8" – 8" – 7 5/8"

- Designed for installation in 21" wide wall cabinets
- Shelf assembly pivots 180° for full shelf access
- Vinyl laminated shelves with wood grain T-molding
- Includes mounting hardware
- Field installation only

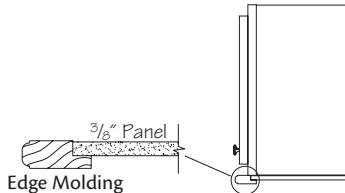
PE
APC
APFC
FPEB
MI
CW
RD
ID
CH
XS
GD

Under Cabinet Panels



PUCP1296
UCP1296
UCPWA

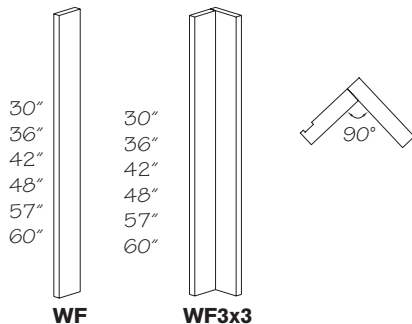
- 3/8" panel with matching printed wood grain laminate sides and applied solid wood edge molding
- APC Upgrade: 3/8" plywood panel finished on the bottom side. Top side will be unfinished, but will not be visible after installation
- Cabinet Panel Edge (CPE8) molding may be ordered separately; see Molding section
- Painted hardwood supplied for EverCore™
- Painted or Stained hardwood supplied for Wood-Grain Foil door styles
- Quartersawn door styles are supplied plain sawn



We recommend using Under Cabinet Panels (UCP) on all wall cabinet runs. This will give the kitchen an elegant finished look. Unless ordered with a matching wood veneer interior option, the under side of wall cabinets are a natural birch material.

PE
● APC
APFC
FPEB
MI
CW
RD
ID
CH
XS
GD

Wall Filler



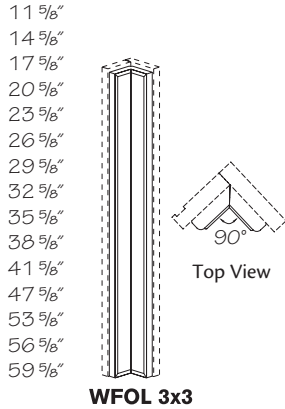
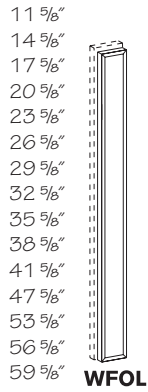
30" High
WF3.30
WF6.30
 36" High
WF3.36
 42" High
WF3.42
WF6.42
 48" High
WF3.48

57" High
WF3.57
WF6.57
 60" High
WF3.60
WF6.60
 30" High
WF3X3.30
 42" High
WF3X3.42

- 3/4" thick solid wood
- Finished one side only
- Filler overlay has routed door profile and is made from the same material as doors and drawer fronts
- Painted hardwood supplied for EverCore™ and Thermofoil
- Painted or Stained hardwood supplied for Wood-Grain Foil door styles

PE
APC
APFC
FPEB
MI
CW
RD
ID
CH
XS
GD

Wall Filler Overlay



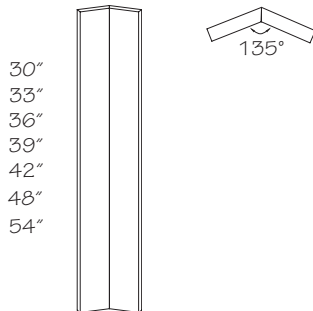
- WFOL3.12** * **WFOL3.48**
- WFOL6.12** * **WFOL6.48**
- WFOL3.15** * **WFOL3.54**
- WFOL6.15** * **WFOL6.54**
- WFOL3.18** **WFOL3.57**
- WFOL6.18** **WFOL6.57**
- WFOL3.21** **WFOL3.60**
- WFOL6.21** **WFOL6.60**
- WFOL3.24** ▲ **WFOL3X3.30**
- WFOL6.24** ▲ **WFOL3X3.33**
- WFOL3.27** ▲ **WFOL3X3.36**
- WFOL6.27** ▲ **WFOL3X3.39**
- WFOL3.30** ▲ **WFOL3X3.42**
- WFOL6.30** **WFOL3.48.FH**
- WFOL3.33** **WFOL6.48.FH**
- WFOL6.33** **WFOL3.54.FH**
- WFOL3.36** **WFOL6.54.FH**
- WFOL6.36**
- WFOL3.39**
- WFOL6.39**
- WFOL3.42**
- WFOL6.42**

* Two pieces
 ▲ Shipped as two pieces in Thermofoil and Wood-Grain Foil door styles. **Must** be field trimmed and mitered

- Available in full overlay door styles only
- Available in High-Gloss Foils finish except in 3X3 models
- Filler overlay has routed door profile and is made from the same material as doors and drawer fronts
- Quartersawn Oak door styles are 3/4" quartersawn wood with matching door profile on all sides. Quartersawn Cherry and Maple door styles are quartersawn wood veneer
- Filler ordered separately
- Consider using Custom Filler Overlay (CFOL) option in applications that require Change Width (CW)

PE
APC
APFC
FPEB
MI
CW
RD
ID
CH
XS
GD

Wall Inside Corner Angle Filler

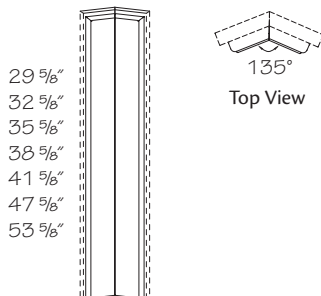


- ICAF30**
- ICAF33**
- ICAF36**
- ICAF39**
- ICAF42**
- ICAF48**
- ICAF54**

- 3/4" thick solid wood
- Crafted or Quartersawn door styles will be supplied in plain sawn wood
- Painted hardwood supplied for EverCore™
- Painted or Stained hardwood supplied for Wood-Grain Foil door styles
- Finished one side only
- **Not** available in Thermofoil door styles

PE
APC
APFC
FPEB
MI
CW
RD
ID
CH
XS
GD

Wall Inside Corner Angle Filler Overlay

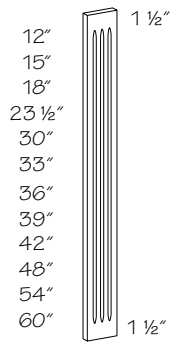


- ICAFOL30**
- ICAFOL33**
- ICAFOL36**
- ICAFOL39**
- ICAFOL42**
- ICAFOL48**
- ICAFOL54**

- Available in full overlay door styles only
- Filler overlay has routed door profile and is solid wood
- Filler overlay has routed door profile and is made from the same material as doors and drawer fronts
- Filler ordered separately
- Shipped as two pieces
- **Not** available in Thermofoil door styles

PE
APC
APFC
FPEB
MI
CW
RD
ID
CH
XS
GD

Wall Fluted Filler

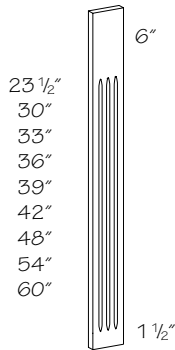


WFF3.12	WFF3.36
WFF6.12	WFF6.36
WFF3.15	WFF3.39
WFF6.15	WFF6.39
WFF3.18	WFF3.42
WFF6.18	WFF6.42
WFF3.24	WFF3.48
WFF6.24	WFF6.48
WFF3.30	WFF3.54
WFF6.30	WFF6.54
WFF3.33	WFF3.60
WFF6.33	WFF6.60

- 3/4" thick solid wood
- Trimmable 5/8" each side
- Quartersawn door styles are supplied plain sawn
- Painted or Stained hardwood supplied for Wood-Grain Foil door styles
- Painted hardwood supplied for EverCore™ and Thermofoil

PE
APC
APFC
FPEB
MI
CW
RD
ID
CH
XS
GD

Plain Capital Wall Fluted Filler

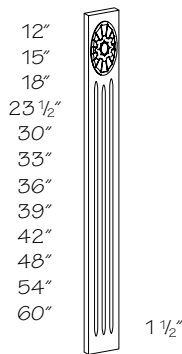


PCWFF3.24	PCWFF3.48
PCWFF6.24	PCWFF6.48
PCWFF3.30	PCWFF3.54
PCWFF6.30	PCWFF6.54
PCWFF3.33	PCWFF3.60
PCWFF6.33	PCWFF6.60
PCWFF3.36	
PCWFF6.36	
PCWFF3.39	
PCWFF6.39	
PCWFF3.42	
PCWFF6.42	

- 3/4" thick solid wood
- Trimmable 5/8" each side
- Quartersawn door styles are supplied plain sawn
- Painted or Stained hardwood supplied for Wood-Grain Foil door styles
- Painted hardwood supplied for EverCore™ and Thermofoil

PE
APC
APFC
FPEB
MI
CW
RD
ID
CH
XS
GD

Rosette Wall Fluted Filler

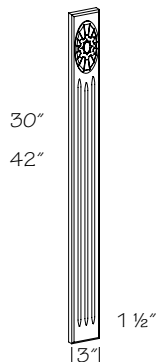


RWFF3.12
RWFF3.15
RWFF3.18
RWFF3.24
RWFF3.30
RWFF3.33
RWFF3.36
RWFF3.39
RWFF3.42
RWFF3.48
RWFF3.54
RWFF3.60

- 3/4" thick solid wood
- Applied decorative rosette
- Quartersawn door styles are supplied plain sawn
- **Not** available in Rustic Alder door styles
- **Not** available in Wood-Grain Foil door styles
- Painted hardwood supplied for EverCore™ and Thermofoil

PE
APC
APFC
FPEB
MI
CW
RD
ID
CH
XS
GD

Rosette Wall Fluted Filler Overlay

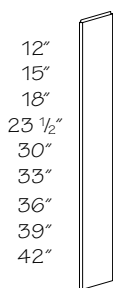


RFWFOL3.30
RFWFOL3.42

- 3/4" thick solid wood
- Applied decorative rosette
- Quartersawn door styles are supplied plain sawn
- **Not** available in Rustic Alder door styles
- **Not** available in Wood-Grain Foil door styles
- Painted hardwood supplied for EverCore™ and Thermofoil

PE
APC
APFC
FPEB
MI
CW
RD
ID
CH
XS
GD

Filler Extension

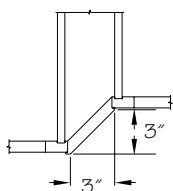


Filler Extension

- FE3.12**
- FE3.15**
- FE3.18**
- FE3.24**
- FE3.30**
- FE3.33**
- FE3.36**
- FE3.39**
- FE3.42**

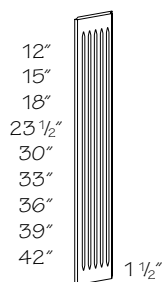
- 3/4" thick solid wood
- Crafted or Quartersawn door styles will be supplied in plain sawn wood
- Painted or Stained hardwood supplied for Wood-Grain Foil door styles
- Painted hardwood supplied for EverCore™ and Thermofoil

PE
APC
APFC
FPEB
MI
CW
RD
ID
CH
XS
GD



Filler Extension Application

Fluted Filler Extension

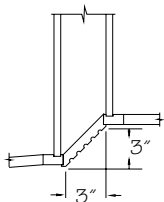


Fluted Filler Extension

- FFE3.12**
- FFE3.15**
- FFE3.18**
- FFE3.24**
- FFE3.30**
- FFE3.33**
- FFE3.36**
- FFE3.39**
- FFE3.42**

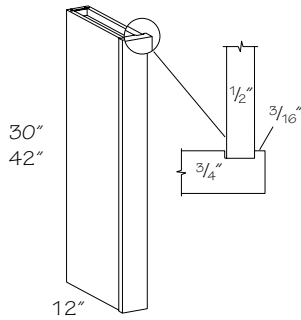
- 3/4" thick solid wood
- Quartersawn door styles are supplied plain sawn
- Painted or Stained hardwood supplied for Wood-Grain Foil door styles
- Painted hardwood supplied for EverCore™ and Thermofoil

PE
APC
APFC
FPEB
MI
CW
RD
ID
CH
XS
GD



Filler Extension Application

Wall Box

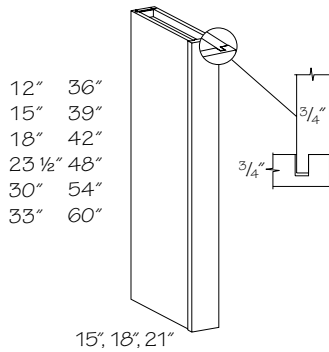


WB3.30
WB3.42

- Finished front and both sides
- Reversible, may be used on either right or left end
- Crafted or Quartersawn door styles will be supplied in plain sawn wood
- Painted hardwood supplied for EverCore™
- Foil-wrapped MDF supplied for Wood-Grain Foil door styles on face frame only

●	PE
●	APC
●	APFC
●	FPEB
	MI
	CW
●	RD
●	ID
●	CH
	XS
	GD

Wall Column



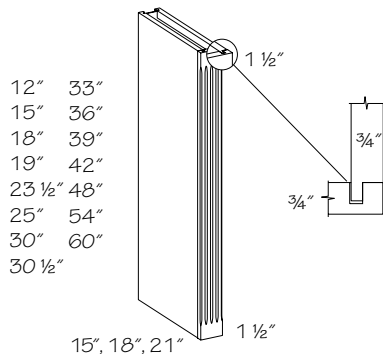
- | | |
|---|---|
| <input type="checkbox"/> WC31512 | WC61539 |
| <input type="checkbox"/> WC61512 | <input type="checkbox"/> WC31542 |
| <input type="checkbox"/> WC31515 | WC61542 |
| <input type="checkbox"/> WC61515 | <input type="checkbox"/> WC31548 |
| <input type="checkbox"/> WC31518 | WC61548 |
| <input type="checkbox"/> WC61518 | <input type="checkbox"/> WC31848 |
| <input type="checkbox"/> WC31524 | <input type="checkbox"/> WC32148 |
| <input type="checkbox"/> WC61524 | <input type="checkbox"/> WC31554 |
| <input type="checkbox"/> WC31530 | WC61554 |
| <input type="checkbox"/> WC61530 | <input type="checkbox"/> WC31854 |
| <input type="checkbox"/> WC31533 | <input type="checkbox"/> WC32154 |
| <input type="checkbox"/> WC61533 | <input type="checkbox"/> WC31560 |
| <input type="checkbox"/> WC31536 | WC61560 |
| <input type="checkbox"/> WC61536 | <input type="checkbox"/> WC31860 |
| <input type="checkbox"/> WC31539 | <input type="checkbox"/> WC32160 |

- Change Width (CW) option **not** available
- Change Height (CH) option **not** available

- Front is 3/4" solid wood
- Quartersawn Oak door styles have 3/4" solid quartersawn wood front and quartersawn wood veneer end panels
- Painted hardwood supplied for EverCore™
- Foil-wrapped MDF supplied for Wood-Grain Foil door styles on face frame only
- Plain sawn material supplied for Bristow Crafted door styles
- Finished front and both sides
- Reversible, may be used on either right or left end
- ☆ APFC standard when APC option is selected

	PE
●	APC
☆	APFC
◆	FPEB
	MI
☆	CW
●	RD
●	ID
☆	CH
	XS
	GD

Wall Fluted Column



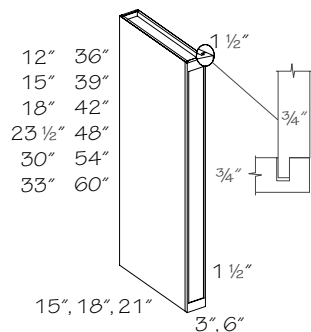
- | | |
|--|-----------------|
| <input type="checkbox"/> WFC31512 | WFC31536 |
| <input type="checkbox"/> WFC31515 | WFC31539 |
| <input type="checkbox"/> WFC31518 | WFC31542 |
| <input type="checkbox"/> WFC31819 | WFC31548 |
| <input type="checkbox"/> WFC32119 | WFC31848 |
| <input type="checkbox"/> WFC31524 | WFC32148 |
| <input type="checkbox"/> WFC31825 | WFC31554 |
| <input type="checkbox"/> WFC32125 | WFC31854 |
| <input type="checkbox"/> WFC31530 | WFC32154 |
| <input type="checkbox"/> WFC31831 | WFC31560 |
| <input type="checkbox"/> WFC32131 | WFC31860 |
| <input type="checkbox"/> WFC31533 | WFC32160 |

- Change Height (CH) option **not** available

- Fluted front is 3/4" solid wood; plain sawn wood supplied for quartersawn door styles
- Reversible, may be used on either right or left end
- Finished front and both sides
- Quartersawn Oak door styles have quartersawn wood veneer end panels
- Painted hardwood supplied for EverCore™
- Painted or Stained hardwood supplied for Wood-Grain Foil door styles
- ☆ APFC standard when APC option is selected

	PE
●	APC
☆	APFC
◆	FPEB
	MI
	CW
●	RD
●	ID
☆	CH
	XS
	GD

Sterling Wall Column

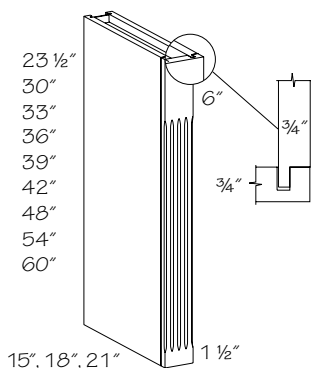


STWC31512	STWC61539
STWC61512	STWC31542
STWC31515	STWC61542
STWC61515	STWC31548
STWC31518	STWC61548
STWC61518	STWC31848
STWC31524	STWC32148
STWC61524	STWC31554
STWC31530	STWC61554
STWC61530	STWC31854
STWC31533	STWC32154
STWC61533	STWC31560
STWC31536	STWC61560
STWC61536	STWC31860
STWC31539	STWC32160

- Front is 3/4" solid wood
 - Finished front and both sides
 - Available in Rustic Alder, Cherry, EverCore™, Maple and White Wood-Grain Foil door styles only
 - Painted hardwood supplied for Wood-Grain Foil door styles; only available in white
 - Painted hardwood supplied for EverCore™
 - Reversible, may be used on either right or left end
- ☆ APFC standard when APC option is selected

PE
● APC
☆ APFC
❖ FPEB
MI
CW
● RD
● ID
CH
XS
GD

Plain Capital Wall Fluted Column

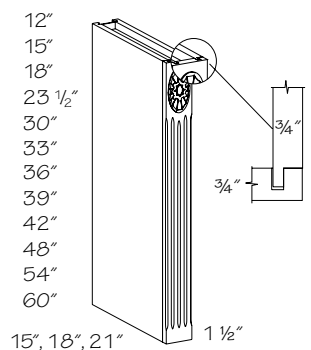


PCWFC31524	PCWFC32148
PCWFC31530	PCWFC31554
PCWFC31533	PCWFC31854
PCWFC31536	PCWFC32154
PCWFC31539	PCWFC31560
PCWFC31542	PCWFC31860
PCWFC31548	PCWFC32160
PCWFC31848	

- Fluted front is 3/4" solid wood; plain sawn wood supplied for quartersawn door styles
 - Quartersawn Oak door styles have quartersawn wood veneer end panels
 - Painted hardwood supplied for EverCore™
 - Mesa and Montresano supplied quartersawn
 - Painted or Stained hardwood supplied for Wood-Grain Foil door styles
 - Finished front and both sides
 - Reversible, may be used on either right or left end
- ☆ APFC standard when APC option is selected

PE
● APC
☆ APFC
❖ FPEB
MI
CW
● RD
● ID
● CH
XS
GD

Rosette Wall Fluted Column



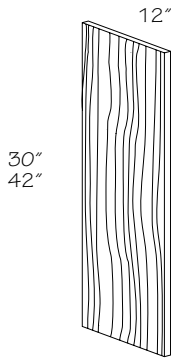
<input type="checkbox"/> RWFC31512	RWFC31548
<input type="checkbox"/> RWFC31515	RWFC31848
<input type="checkbox"/> RWFC31518	RWFC32148
RWFC31524	RWFC31554
RWFC31530	RWFC31854
RWFC31533	RWFC32154
RWFC31536	RWFC31560
RWFC31539	RWFC31860
RWFC31542	RWFC32160

- Fluted front is 3/4" solid wood; plain sawn wood supplied for quartersawn door styles
 - Applied decorative rosette
 - Quartersawn Oak door styles have quartersawn wood veneer end panels
 - Finished front and both sides
 - Reversible, may be used on either right or left end
 - **Not** available in Rustic Alder door styles
 - **Not** available in Wood-Grain Foil door styles
- ☆ APFC standard when APC option is selected

PE
● APC
☆ APFC
❖ FPEB
MI
CW
● RD
● ID
☆ CH
XS
GD

Change Height (CH) option **not** available

Wall End Panel



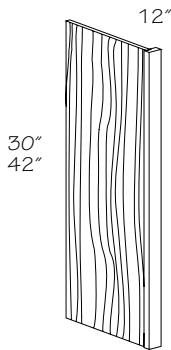
- Printed woodgrain laminate*
- **VWEP30** 12" x 30" x 3/4"
 - **VWEP42** 12" x 42" x 3/4"
- Wood Veneer*
- * **WWEP30** 12" x 30" x 13/16"
 - * **WWEP42** 12" x 42" x 13/16"

- Edgebanded one long and two short edges
- Finished to match exterior both sides
- Wood Veneer Panels will have painted or stained hardwood supplied for Wood-Grain Foil door styles
- ☆ APC panel only available in wood veneer
- ☆ APC panel is 11/16" thick

- Quartersawn door styles are supplied plain sawn
- * Painted hardwood supplied for EverCore™ and Thermofoil

PE
☆ APC
APFC
FPEB
MI
CW
RD
ID
● CH
XS
GD

Wall End Panel w/Stile

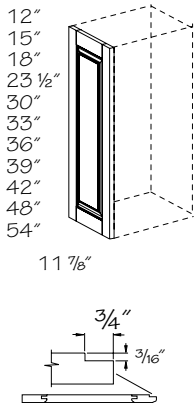


- **WEP1 1/2.30**
- **WEP3.30**
- **WEP1 1/2.42**
- **WEP3.42**

- Left shown
- Crafted or Quartersawn door styles will be supplied in plain sawn wood
- Painted hardwood supplied for EverCore™
- Painted or Stained hardwood supplied for Wood-Grain Foil door styles
- Printed wood grain laminate panels are edgebanded on two edges
- Exterior finished to match, interior is Natural Birch printed wood grain laminate and machined to match a cabinet end panel
- Reversible, may be used on either right or left end

● PE
● APC
● APFC
● FPEB
● MI
● CW
● RD
● ID
● CH
XS
GD

Matching Wall End Panel



- **MWEP12 R or L**
- **MWEP15 R or L**
- **MWEP18 R or L**
- **MWEP24 R or L**
- **MWEP30 R or L**
- **MWEP33 R or L**
- **MWEP36 R or L**
- **MWEP39 R or L**
- **MWEP42 R or L**
- ▲ **MWEP48 R or L**
- ▲ **MWEP54 R or L**

- Peninsula*
- **PMWEP12**
 - **PMWEP15**
 - **PMWEP18**
 - **PMWEP24**
 - **PMWEP30**
 - **PMWEP33**
 - **PMWEP36**
 - **PMWEP39**
 - **PMWEP42**

- Change Height (CH) option *not* available
- ▲ Available in full overlay door styles only
- *Not* available in Wood-Grain Foil door styles

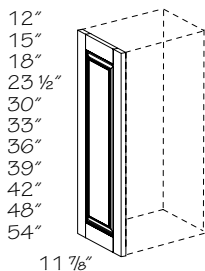
- Specify R or L
- 3/4" thick
- Inside of matching panel bottom rail will line up with inside bottom rail of door
- Left shown
- Field installation only
- Thermofoil, mitered and slab door styles do *not* have grooves and will *not* fit flush against 1/2" end panel. A 3/16" shim is recommended
- Peninsula panel has routed door profile front and back
- *Not* available in High-Gloss Foil door styles

PE
APC
APFC
FPEB
MI
CW
RD
ID
☆ CH
XS
GD



When designing with Matching End Panels the reveal will differ from the cabinet door height reveal. Matching End Panels cover the entire side of the cabinet. See drawing for exact measurements

Matching Wall End Panel—Square Edges

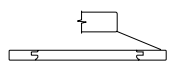


- **MWEP12 S**
- **MWEP15 S**
- **MWEP18 S**
- **MWEP24 S**
- **MWEP30 S**
- **MWEP33 S**
- **MWEP36 S**
- **MWEP39 S**
- **MWEP42 S**
- ▲ **MWEP48 S**
- ▲ **MWEP54 S**

- Change Height (CH) option *not* available
- ▲ Available in full overlay door styles only

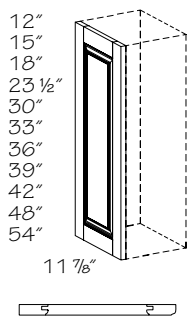
- 3/4" thick panel with square edge front and back
- Inside of matching panel bottom rail will line up with inside bottom rail of door
- Reversible, may be used on either right or left end
- Field installation only
- No frame recess dado
- *Not* available in High-Gloss Foil, Thermofoil or Wood-Grain Foil door styles
- *Not* available in mitered door styles

PE
APC
APFC
FPEB
MI
CW
RD
ID
☆ CH
XS
GD



Will not fit flush against 1/2" end panel; a 3/16" shim is recommended

Furniture Matching Wall End Panel

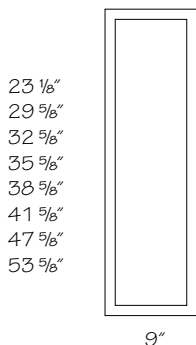


- Peninsula*
- **FMWEP12 R or L** □ **FPMWEP12**
 - **FMWEP15 R or L** □ **FPMWEP15**
 - **FMWEP18 R or L** □ **FPMWEP18**
 - **FMWEP24 R or L** □ **FPMWEP24**
 - **FMWEP30 R or L** □ **FPMWEP30**
 - **FMWEP33 R or L** □ **FPMWEP33**
 - **FMWEP36 R or L** □ **FPMWEP36**
 - **FMWEP39 R or L** □ **FPMWEP39**
 - **FMWEP42 R or L** □ **FPMWEP42**
 - ▲ **FMWEP48 R or L**
 - ▲ **FMWEP54 R or L**
- Change Height (CH) option *not* available
 - ▲ Available in full overlay door styles only

- Specify R or L
- 3/4" thick
- Inside of matching panel bottom rail will line up with inside bottom rail of door
- Left shown
- Field installation only
- Peninsula panel has routed door profile front and back
- For use with Furniture Plywood Ends (FPEB)—flush ends
- **Not** available in High-Gloss Foil or Wood-Grain Foil door styles
- Quartersawn door styles are supplied plain sawn

PE
APC
APFC
FPEB
MI
CW
RD
ID
☆ CH
XS
GD

Overlay Panel For Wall Blind Corner Cabinets

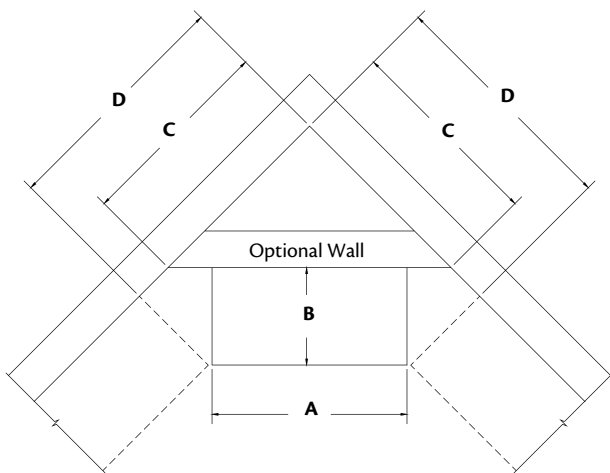


- **OPWBC24**
- **OPWBC30**
- **OPWBC33**
- **OPWBC36**
- **OPWBC39**
- **OPWBC42**
- **OPWBC48**
- **OPWBC54**

- Available in full overlay door styles only
- Overlay Panel has routed door profile and is made from the same material as doors and drawer fronts
- Field miter

PE
APC
APFC
FPEB
MI
CW
RD
ID
CH
XS
GD

Diagonal Installation of Standard Wall Cabinets



Note: Fillers are always recommended at both sides of cabinet junction points to allow for wall variations and drawer clearances

Caption Width A	Caption Width B	Wall Dimensions C	Wall Dimensions D
12"	12"	16 1/8"	21 7/8"
15"	12"	18 1/4"	23 1/4"
18"	12"	20 3/8"	25 3/8"
21"	12"	22 1/2"	27 1/2"
24"	12"	24 5/8"	29 5/8"
27"	12"	26 3/4"	31 3/4"
30"	12"	28 7/8"	33 7/8"
33"	12"	31"	36"
34"	12"	31 11/16"	33 13/16"
36"	12"	33 1/8"	38 1/8"
37"	12"	36 11/16"	38 13/16"
39"	12"	35 1/4"	40 1/4"
42"	12"	37 3/8"	42 3/8"
45"	12"	39 1/2"	44 1/2"
48"	12"	41 5/8"	46 5/8"

Notes

Base Cabinets

Construction Options and Modifications

B	12	24	40	R	FH
code	width	depth	height	hinge	suffix

Note: Standard base cabinet box depth is 24" unless stated otherwise. Add door thickness with bumpers for total depth.

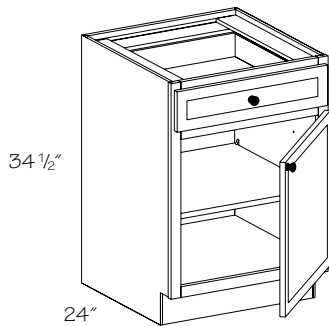
When BUTT is in all capitals, it **must** be included as part of your ordering nomenclature. A (Butt) in parentheses is for your information and isn't required on an order form.

Material dimensions listed may vary slightly from actual dimensions of the product. Specifications subject to change without notice.

- ❖ Included as standard
- Available with an upcharge
- ☆ Available with exceptions
- (Blank) **Not** available

- PE Plywood Ends
- APC All Plywood Construction
- APFC All Plywood Furniture Construction
- FPEB Furniture Plywood Ends
- MI Matching Interior
- DE Integrated Decorative End
- OE Operational End
- AD_E Attached Decorative End
- CW Change Width
- RD Reduced Depth
- CH Change Height
- IF Inverted Frame
- TWR Top Wide Rail
- WR Wide Bottom Rail
- XS Extended Stile
- XSG Integrated Extended Stile
- GD Glass Doors
- RTK Recessed Toe Kick
- RTKP Recessed Toe Kick Peninsula
- VTK Void Toe Kick
- TKD Toe Kick Drawer

Base Single Door



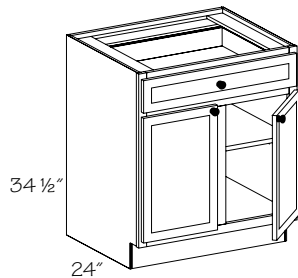
- ◆★†B9 R or L.1D
- B12 R or L
- B15 R or L
- B18 R or L
- B21 R or L
- B24 R or L

- Change Width (CW) option **not** available
- ◆ Recessed Toe Kick Both Sides (RTKB) **not** available
- ★ Glass door option **not** available
- † Toe Kick Drawer (TKD) option **not** available

- t hinging
- One adjustable shelf
- ☆ Operational End (OE) is **not** available with Reduced Depth (RD) option

● PE	● IF
● APC	● TWR
● APFC	● WR
● FPEB	● XS
● MI	● XSG
● DE	☆ GD
☆ OE	☆ RTK
● AD_E	● RTKP
☆ CW	● VTK
● RD	☆ TKD
● CH	

Base Double Door



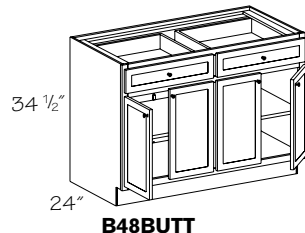
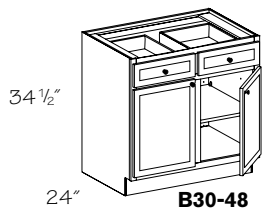
- B24 BUTT
- B27 (Butt)
- B30
- B30 BUTT
- B33
- B33 BUTT
- B36
- B36 BUTT
- B39

- Change Width (CW) option **not** available

- One adjustable shelf
- ☆ Operational End (OE) is **not** available with Reduced Depth (RD) option

● PE	● IF
● APC	● TWR
● APFC	● WR
● FPEB	● XS
● MI	● XSG
● DE	● GD
☆ OE	● RTK
● AD_E	● RTKP
☆ CW	● VTK
● RD	● TKD
● CH	

Base Double Door Double Drawer



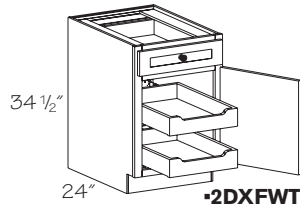
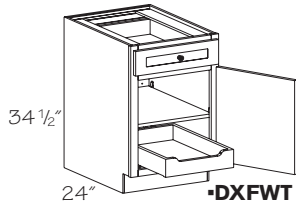
- B30 .2D
- B33 .2D
- B36 .2D
- B39 .2D
- B42

- † B45
- † B48
- ▲†B48 BUTT

- † Toe Kick Drawer (TKD) option **not** available
- Change Width (CW) option **not** available
- ▲ Two pair of butt doors

- 3" center stile
- Two drawers
- One adjustable shelf
- ☆ Operational End (OE) is **not** available with Reduced Depth (RD) option

● PE	● IF
● APC	● TWR
● APFC	● WR
● FPEB	● XS
● MI	● XSG
● DE	● GD
☆ OE	● RTK
● AD_E	● RTKP
☆ CW	● VTK
● RD	☆ TKD
● CH	



Base Single Door w/Deluxe Dovetailed Full-Width Tray(s)

One tray, one adjustable shelf

- **B12 R or L.DXFWT**
- **B15 R or L.DXFWT**
- **B18 R or L.DXFWT**
- **B21 R or L.DXFWT**
- **B24 R or L.DXFWT**

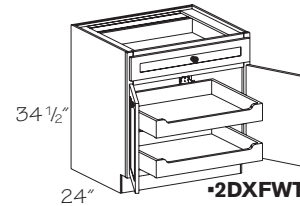
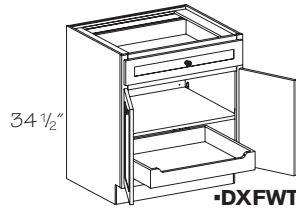
Two trays, no shelf

- **B12 R or L.2DXFWT**
- **B15 R or L.2DXFWT**
- **B18 R or L.2DXFWT**
- **B21 R or L.2DXFWT**
- **B24 R or L.2DXFWT**

- Change Width (CW) option **not** available

- Specify R or L hinging
- Adjustable, full-width Roll-out Tray(s) (ROT)
- Roll-out Trays (ROT) are 4" deep, 5/8" solid wood dovetailed sides with 3/16" plywood bottom, notched front and full extension runners with integrated buffer
- ☆ Reduced Depth (RD) available in 18" and 21" depths only

PE	IF
● APC	● TWR
● APFC	● WR
● FPFB	● XS
● MI	● XSG
● DE	● GD
● OE	● RTK
● AD_E	● RTKP
☆ CW	● VTK
☆ RD	● TKD
● CH	



Base Double Door w/Deluxe Dovetailed Full-Width Tray(s)

One tray, one adjustable shelf

- **B24 BUTT.DXFWT**
- **B27 (Butt).DXFWT**
- **B30 BUTT.DXFWT**
- **B33 BUTT.DXFWT**
- **B36 BUTT.DXFWT**

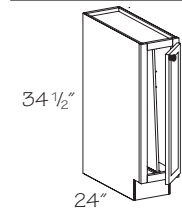
Two trays, no shelf

- **B24 BUTT.2DXFWT**
- **B27 (Butt).2DXFWT**
- **B30 BUTT.2DXFWT**
- **B33 BUTT.2DXFWT**
- **B36 BUTT.2DXFWT**

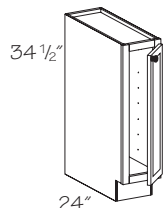
- Change Width (CW) option **not** available

- Adjustable, full-width Roll-out Tray(s) (ROT)
- Roll-out Trays (ROT) are 4" deep, 5/8" solid wood dovetailed sides with 3/16" plywood bottom, notched front and full extension runners with integrated buffer
- ☆ Reduced Depth (RD) available in 18" and 21" depths only

PE	IF
● APC	● TWR
● APFC	● WR
● FPFB	● XS
● MI	● XSG
● DE	● GD
● OE	● RTK
● AD_E	● RTKP
☆ CW	● VTK
☆ RD	● TKD
● CH	



With divider



Without divider

Base Full-Height Single Door w/Tray Divider

With Tray Divider

- □ ☆ **B9 R or L**

Without Tray Divider

- ▲ ○ ☆ † **B6 R or L**

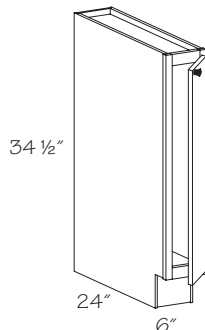
B9 R or L.VTD

- **Not** available with Operational End Door (OE) option
- Change Height (CH) option **not** available
- ☆ Integrated Extended Stile (XSG) is **not** available
- ▲ **Not** available with Recessed Toe Kick Peninsula (RTKP) Option
- Recessed Toe Kick Both Sides (RTKB) **not** available
- ※ Wide Rail Plain only (WR)
- † Door defaults to a slab design with an outside profile matching the selected door style

- Specify R or L hinging
- Full-height door
- One full-height tray divider
- Vega doors will have a solid, recessed flat panel
- ☆ Tray divider **cannot** be included when Reduced Depth (RD) option of less than 6" is selected
- ☆ Recessed Toe Kick Peninsula Both Sides (RTKPB) **not** available
- ☆ Operational End (OE) is **not** available with Reduced Depth (RD) option

PE	IF
● APC	● TWR
● APFC	● WR
● FPFB	● XS
● MI	☆ XSG
● DE	● GD
☆ OE	☆ RTK
● AD_E	☆ RTKP
☆ CW	● VTK
☆ RD	● TKD
☆ CH	

Base Full-Height Single Door - Full Overlay



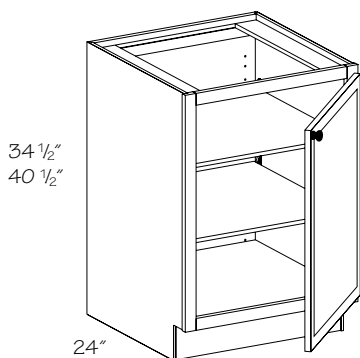
- ※ † **B6 R or L.FO**

- ※ Recessed Toe Kick Both Sides (RTKB) **not** available
- ◆ Recessed Toe Kick Peninsula Both Sides (RTKPB) **not** available
- † Door defaults to a slab design with an outside profile matching the selected door style

- Specify R or L hinging
- Frame stiles are 15/16" wide
- Available in full overlay only
- Full-height door
- ☆ Wide Rail Plain only (WR)
- Maximum Change Width (CW) 8 15/16"

PE	IF
● APC	● TWR
● APFC	☆ WR
● FPFB	● XS
● MI	● XSG
● DE	● GD
● OE	☆ RTK
AD_E	☆ RTKP
● CW	● VTK
● RD	● TKD
● CH	

Base Full-Height Single Door



34 1/2" High, two shelves

- B12 R or L.FH**
- B15 R or L.FH**
- B18 R or L.FH**
- B21 R or L.FH**
- B24 R or L.FH**

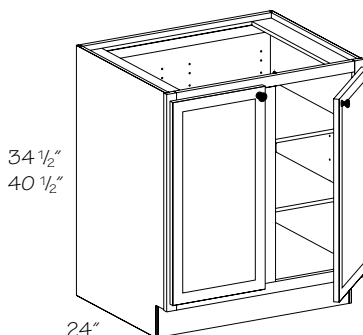
40 1/2" High, three shelves

- B122440 R or L.FH**
- B152440 R or L.FH**
- B182440 R or L.FH**
- B212440 R or L.FH**
- B242440 R or L.FH**

- Specify R or L hinging
- Full-height door
- Adjustable shelves
- ☆ Operational End (OE) is **not** available with Reduced Depth (RD) option

● PE	● IF
● APC	● TWR
● APFC	● WR
● FPEB	● XS
● MI	● XSG
● DE	● GD
☆ OE	● RTK
● AD_E	● RTKP
● CW	● VTK
● RD	● TKD
● CH	

Base Full-Height Double Door



34 1/2" High, two shelves

- **B24 BUTT.FH**
- B27 (Butt).FH**
- B30 .FH**
- B30 BUTT.FH**
- B33 .FH**
- B33 BUTT.FH**
- B36 .FH**
- B36 BUTT.FH**
- B39 .FH**
- B42 .FH**
- † **B45 .FH**
- † **B48 .FH**
- ▲○† **B48 BUTT.FH**

40 1/2" High, three shelves

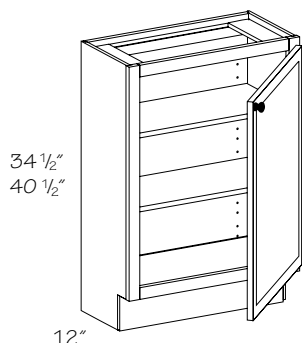
- **B242440 BUTT.FH**
- B272440 (Butt).FH**
- B302440 .FH**
- B302440 BUTT.FH**
- B332440 .FH**
- B332440 BUTT.FH**
- B362440 .FH**
- B362440 BUTT.FH**

- Full-height door
- Adjustable shelves
- Only full-width Roll-out Trays (ROT) are available factory installed on 40 1/2" high Base cabinets
- ☆ Operational End (OE) is **not** available with Reduced Depth (RD) option

● PE	● IF
● APC	● TWR
● APFC	● WR
● FPEB	● XS
● MI	● XSG
● DE	● GD
☆ OE	● RTK
● AD_E	● RTKP
☆ CW	● VTK
● RD	☆ TKD
● CH	

- Change Width (CW) option **not** available
- † Toe Kick Drawer (TKD) option **not** available
- ▲ Two pair of butt doors

Base Full-Height Single Door 12" Deep



34 1/2" High - two shelves

- B1212 R or L.FH**
- B1512 R or L.FH**
- B1812 R or L.FH**
- B2112 R or L.FH**
- B2412 R or L.FH**

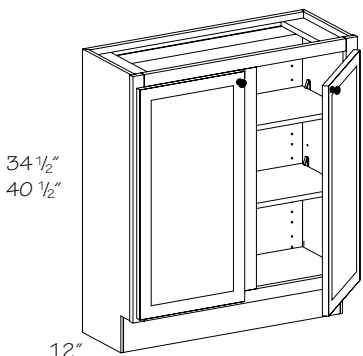
40 1/2" High - three shelves

- B121240 R or L.FH**
- B151240 R or L.FH**
- B181240 R or L.FH**
- B21240 R or L.FH**
- B241240 R or L.FH**

- Specify R or L hinging
- Full-height door
- Adjustable shelves
- ☆ Operational End (OE) is **not** available with Reduced Depth (RD) option

● PE	● IF
● APC	● TWR
● APFC	● WR
● FPEB	● XS
● MI	● XSG
● DE	● GD
☆ OE	● RTK
● AD_E	● RTKP
● CW	● VTK
● RD	● TKD
● CH	

Base Full-Height Double Door 12" Deep



34 1/2" High - two shelves

- **B2412 BUTT.FH**
- B2712 (Butt).FH**
- B3012 .FH**
- B3012 BUTT.FH**
- B3312 .FH**
- B3312 BUTT.FH**
- B3612 .FH**
- B3612 BUTT.FH**
- B3912 .FH**
- B4212 .FH**
- B4512 .FH**
- B4812 .FH**
- ▲○ **B4812 BUTT.FH**

40 1/2" High - three shelves

- **B241240 BUTT.FH**
- B271240 (Butt).FH**
- B301240 .FH**
- B301240 BUTT.FH**
- B331240 .FH**
- B331240 BUTT.FH**
- B361240 .FH**
- B361240 BUTT.FH**

- Full-height door
- Adjustable shelves
- ☆ Operational End (OE) is **not** available with Reduced Depth (RD) option



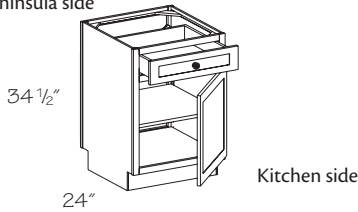
Remember, a cabinet designated

BUTT or (Butt) has no center stile. When you see the word BUTT in all capitals, it **must** be included as part of your ordering nomenclature, a (Butt) in parentheses is for your information and isn't required on an order form

● PE	● IF
● APC	● TWR
● APFC	● WR
● FPEB	● XS
● MI	● XSG
● DE	● GD
☆ OE	● RTK
● AD_E	● RTKP
☆ CW	● VTK
● RD	● TKD
● CH	

- Change Width (CW) option **not** available
- ▲ Two pair of butt doors

Peninsula side



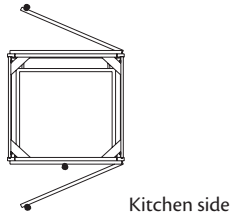
Peninsula Base Single Door

- PB12 R or L**
- PB15 R or L**
- PB18 R or L**
- PB21 R or L**
- PB24 R or L**

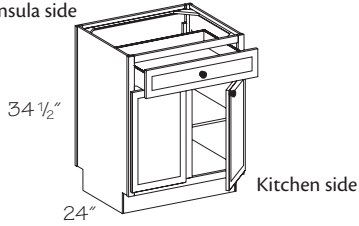
- Specify R or L for door hinging on kitchen side
- One adjustable shelf
- False drawer front on peninsula side
- Both doors hinged on same end panel

● PE	● IF
● APC	● TWR
● APFC	● WR
● FPFB	● XS
● MI	XSG
● DE	● GD
● OE	● RTK
● AD_E	◇ RTKP
● CW	● VTK
● RD	TKD
● CH	

Peninsula side



Peninsula side



Peninsula Base Double Door

One drawer

- **PB24 BUTT**
- PB27 (Butt)**
- PB30**
- PB30 BUTT**
- PB33**
- PB33 BUTT**
- PB36**
- PB36 BUTT**
- PB39**

Two drawers

- PB30 .2D**
- PB33 .2D**
- PB36 .2D**
- PB39 .2D**
- PB42**
- PB45**
- PB48**
- ▲○ **PB48 BUTT**

- One adjustable shelf
- False drawer front on peninsula side
- ☆ Glass inserts *not* available on ends

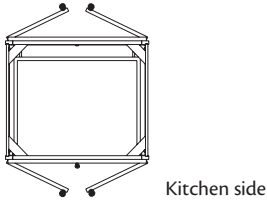


Remember, a cabinet designated

BUTT or (Butt) has no center stile. When you see the word BUTT in all capitals, it *must* be included as part of your ordering nomenclature, a (Butt) in parentheses is for your information and isn't required on an order form

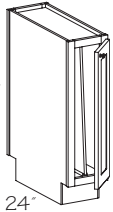
● PE	● IF
● APC	● TWR
● APFC	● WR
● FPFB	● XS
● MI	XSG
● DE	☆ GD
● OE	● RTK
● AD_E	◇ RTKP
☆ CW	● VTK
● RD	TKD
● CH	

Peninsula side

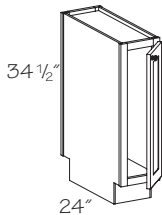


Peninsula Base Full-Height Single Door w/Tray Divider

34 1/2"



24" With divider



24" Without divider

With Tray Divider

- **PB9 R or L**

Without Tray Divider

- **PB9 R or L.VTD**

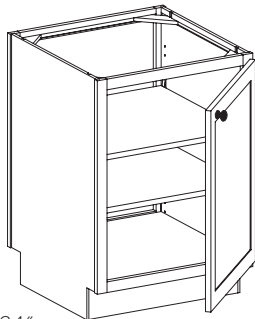
- *Not* available with Operational End Door (OE) option

- Specify R or L for single door hinging
- Full-height door
- One full-height tray divider
- Both doors hinged on same end panel
- ☆ Tray divider *cannot* be included when Reduced Depth (RD) option of less than 6" is selected
- ☆ Recessed Toe Kick Peninsula Both Sides (RTKPB) *not* available
- ☆ Operational End (OE) is *not* available with Reduced Depth (RD) option

● PE	IF
● APC	● TWR
● APFC	● WR
● FPFB	● XS
● MI	XSG
● DE	GD
☆ OE	☆ RTK
● AD_E	● RTKP
● CW	● VTK
☆ RD	TKD
● CH	

Peninsula Base Full-Height Single Door

34 1/2"
40 1/2"



24"

Two shelves
34 1/2" High

- PB12 R or L.FH**
- PB15 R or L.FH**
- PB18 R or L.FH**
- PB21 R or L.FH**
- PB24 R or L.FH**

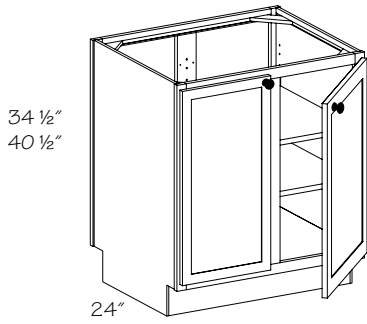
Three shelves
40 1/2" High

- PB122440 R or L.FH**
- PB152440 R or L.FH**
- PB182440 R or L.FH**
- PB212440 R or L.FH**
- PB242440 R or L.FH**

- Specify R or L for door hinging on kitchen side
- Adjustable shelves
- Both doors hinged on same end panel

● PE	IF
● APC	● TWR
● APFC	● WR
● FPFB	● XS
● MI	XSG
● DE	● GD
● OE	● RTK
● AD_E	◇ RTKP
● CW	● VTK
● RD	TKD
● CH	

Peninsula Base Full-Height Double Door



Two shelves
34 1/2" High

- **PB24 BUTT.FH**
- PB27 (Butt).FH**
- PB30 .FH**
- PB30 BUTT.FH**
- PB33 .FH**
- PB33 BUTT.FH**
- PB36 .FH**
- PB36 BUTT.FH**
- PB39 .FH**
- PB42 .FH**
- PB45 .FH**
- PB48 .FH**

- **PB48 BUTT.FH**

- Change Width (CW) option *not* available

Three shelves
40 1/2" High

- **PB242440 BUTT.FH**
- PB272440 (Butt).FH**
- PB302440 .FH**
- PB302440 BUTT.FH**
- PB332440 .FH**
- PB332440 BUTT.FH**
- PB362440 .FH**
- PB362440 BUTT.FH**

- Adjustable shelves
- ☆ Glass inserts *not* available on ends

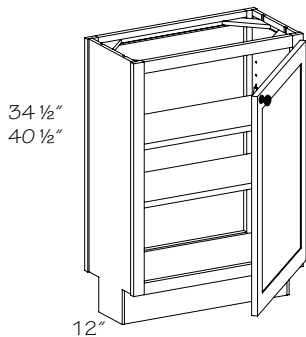


Remember, a cabinet designated

BUTT or (Butt) has no center stile. When you see the word BUTT in all capitals, it *must* be included as part of your ordering nomenclature, a (Butt) in parentheses is for your information and isn't required on an order form

● PE	IF
● APC	TWR
● APFC	● WR
● FPEB	● XS
● MI	XSG
● DE	☆ GD
● OE	● RTK
● AD_E	◇ RTKP
☆ CW	● VTK
● RD	TKD
● CH	

Peninsula Base Full-Height Single Door 12" Deep



Two shelves
34 1/2" High

- PB1212 R or L.FH**
- PB1512 R or L.FH**
- PB1812 R or L.FH**
- PB2112 R or L.FH**
- PB2412 R or L.FH**

Three shelves
40 1/2" High

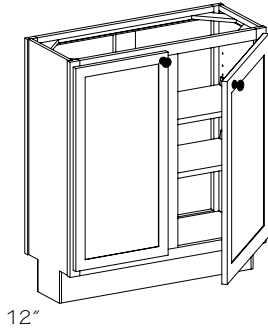
- PB121240 R or L.FH**
- PB151240 R or L.FH**
- PB181240 R or L.FH**
- PB211240 R or L.FH**
- PB241240 R or L.FH**

- Specify R or L for door hinging on kitchen side
- Adjustable shelves
- Both doors hinged on same end panel

● PE	IF
● APC	TWR
● APFC	● WR
● FPEB	● XS
● MI	XSG
● DE	● GD
● OE	● RTK
● AD_E	◇ RTKP
● CW	● VTK
● RD	TKD
● CH	

Peninsula Base Full-Height Double Door 12" Deep

34 1/2"
40 1/2"



Two shelves
34 1/2" High

- PB2412 BUTT.FH
- PB2712 (Butt).FH
- PB3012 .FH
- PB3012 BUTT.FH
- PB3312 .FH
- PB3312 BUTT.FH
- PB3612 .FH
- PB3612 BUTT.FH
- PB3912 .FH
- PB4212 .FH
- PB4512 .FH
- PB4812 .FH
- ▲PB4812 BUTT.FH

Three shelves
40 1/2" High

- PB241240 BUTT.FH
- PB271240 (Butt).FH
- PB301240 .FH
- PB301240 BUTT.FH
- PB331240 .FH
- PB331240 BUTT.FH
- PB361240 .FH
- PB361240 BUTT.FH

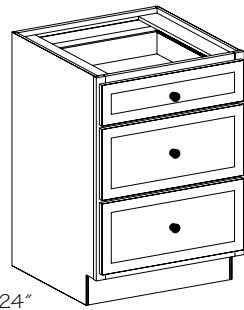
- Specify R or L for door hinging on kitchen side
- Adjustable shelves
- ☆ Glass inserts *not* available on ends

● PE	IF
● APC	TWR
● APFC	● WR
● FPFB	● XS
● MI	XSG
● DE	☆ GD
● OE	● RTK
● AD_E	◇ RTKP
☆ CW	● VTK
● RD	TKD
● CH	

- Change Width (CW) option *not* available
- ▲ Two pair of butt doors

Base Three Drawer

34 1/2"



- BD12 .3
- * BD15 .3
- * BD18 .3
- * BD21 .3
- * BD24 .3
- BD27 .3
- BD30 .3
- BD33 .3
- BD36 .3
- BD39 .3
- BD42 .3

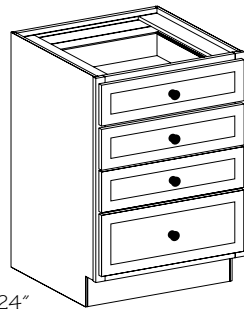
* Deep drawer(s) will accept optional Bread Box (BB) or Bread Box Kit (BBK)

- One standard drawer
- Two deep drawers

● PE	IF
● APC	● TWR
● APFC	● WR
● FPFB	● XS
● MI	XSG
● DE	GD
● OE	● RTK
● AD_E	● RTKP
● CW	● VTK
● RD	● TKD
● CH	

Base Four Drawer

34 1/2"



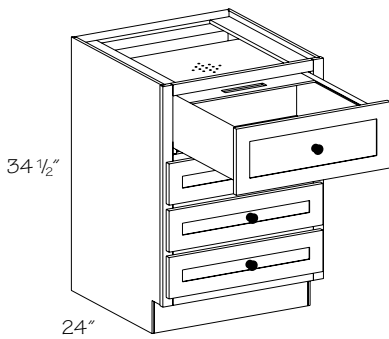
- BD12
- * BD15
- * BD18
- * BD21
- * BD24
- BD27
- BD30
- BD33
- BD36

* Deep drawer(s) will accept optional Bread Box (BB) or Bread Box Kit (BBK)

- Three standard height drawers
- One deep bottom drawer

● PE	IF
● APC	● TWR
● APFC	● WR
● FPFB	● XS
● MI	XSG
● DE	GD
● OE	● RTK
● AD_E	● RTKP
● CW	● VTK
● RD	● TKD
● CH	

Bread Box Drawer

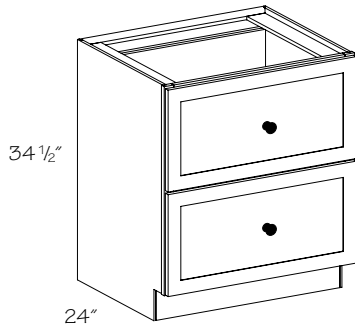


- BBD15**
- BBD18**
- BBD21**
- BBD24**

- Three standard height drawers
- One deep top drawer with factory installed Sliding Bread Box Lid (SBB)

● PE	IF
● APC	TWR
● APFC	● WR
● FPEB	● XS
MI	XSG
● DE	GD
OE	● RTK
● AD_E	● RTKP
CW	● VTK
RD	● TKD
CH	

Base Pots and Pans Storage Two Drawer



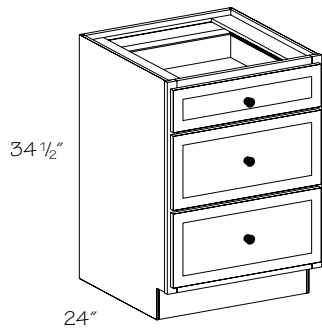
- **BPPS12 .2**
- **BPPS15 .2**
- **BPPS18 .2**
- **BPPS21 .2**
- **BPPS24 .2**
- **BPPS27 .2**
- **BPPS30 .2**
- **BPPS33 .2**
- **BPPS36 .2**
- **BPPS39 .2**
- **BPPS42 .2**

- Two 10" deep solid wood drawers
- Uses Whisper Touch™ Drawer Runners – Two Drawer Cabinets
- ☆ Minimum Reduced Depth (RD) is 21"

● PE	IF
● APC	TWR
● APFC	● WR
● FPEB	● XS
MI	XSG
DE	GD
OE	● RTK
● AD_E	● RTKP
☆ CW	● VTK
☆ RD	● TKD
CH	

- Change Width (CW) option *not* available

Base Pots and Pans Storage Three Drawer



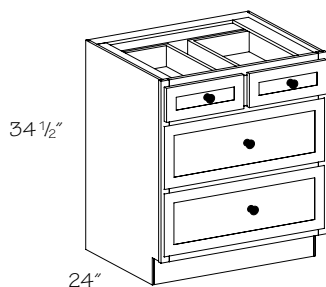
- ※ **BPPS18**
- ※ **BPPS21**
- ※◆ **BPPS24**
- ◆ **BPPS27**
- ◆ **BPPS30**
- ◆ **BPPS33**
- ◆ **BPPS36**

- One standard drawer
- Two deep drawers

- ※ Deep drawer(s) will accept optional Bread Box (BB) or Bread Box Kit (BBK)
- ◆ Prep for Warming Drawer (PWD) option is available. See Construction Options section

● PE	IF
● APC	● TWR
● APFC	● WR
● FPEB	● XS
MI	XSG
● DE	GD
OE	● RTK
● AD_E	● RTKP
● CW	● VTK
● RD	● TKD
CH	

Base Pots and Pans Storage Four Drawer

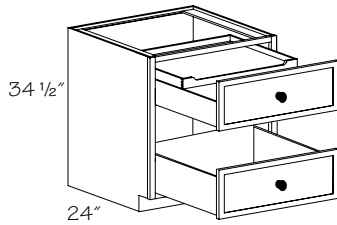


- BPPS30 .4**
- BPPS36 .4**

- Two standard drawers
- Two deep drawers
- Prep for Warming Drawer (PWD) option is available. See Construction Options section

● PE	IF
● APC	TWR
● APFC	● WR
● FPEB	● XS
MI	XSG
● DE	GD
OE	● RTK
● AD_E	● RTKP
● CW	● VTK
● RD	● TKD
CH	

Base Deep Drawer Combination

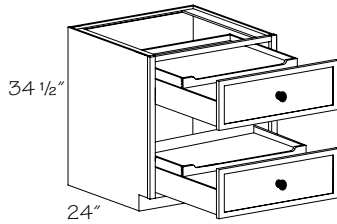


- **BDDC18 .2.TT**
- **BDDC24 .2.TT**
- **BDDC30 .2.TT**
- **BDDC36 .2.TT**
- Change Width (CW) option **not** available

- One 7" deep solid wood drawer
- One 10" deep solid wood drawer
- One 3" deluxe rollout tray above the top drawer
- Uses Whisper Touch™ Drawer Runners – Two Drawer Cabinets
- Adjustable Drawer Dividers (ADD) **not** available in top drawer
- ☆ Minimum Reduced Depth (RD) is 21"

● PE	IF
● APC	TWR
● APFC	● WR
● FPEB	● XS
MI	XSG
● DE	GD
OE	● RTK
● AD_E	● RTKP
☆ CW	● VTK
☆ RD	● TKD
CH	

Base Deep Drawer Combination - Top & Bottom Tray

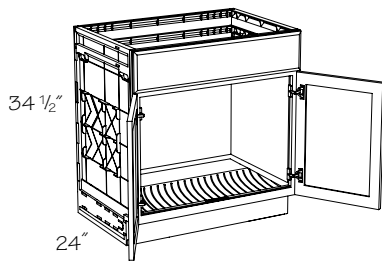


- **BDDC18 .2.TBT**
- **BDDC24 .2.TBT**
- **BDDC30 .2.TBT**
- **BDDC36 .2.TBT**
- Change Width (CW) option **not** available

- Two 7" solid wood drawers
- 3" deluxe rollout tray above the top and bottom drawer
- Uses Whisper Touch™ Drawer Runners
- Adjustable Drawer Dividers (ADD) **not** available
- ☆ Minimum Reduced Depth (RD) is 21"

● PE	IF
● APC	TWR
● APFC	● WR
● FPEB	● XS
MI	XSG
● DE	GD
OE	● RTK
● AD_E	● RTKP
☆ CW	● VTK
☆ RD	● TKD
CH	

CoreGuard® Sink Base



- **SB24 BUTT.CG**
- **SB27 (Butt).CG**
- **SB30 BUTT.CG**
- **SB33 BUTT.CG**
- **SB36 BUTT.CG**

- Easy to clean and durable sink base helps protect the cabinetry from everyday leaks and spills
- Back, end and bottom panels are made of an engineered polymer material
- Bottom panel slants 1° toward front of cabinet and has raised ribs to slightly elevate stored items
- Decorative end panel required for end of peninsula or island. **Not** included, order separately
- No shelf
- One full-width false drawer front above doors
- Use CoreGuard® Panel Backer in the paneling section to resolve cutting and installation errors
- Optional Door Storage Unit (SBDSU) is available
- Optional Utensil Trays (UT and SUT) are available
- Will **not** accommodate Roll-out Trays (ROT)
- Includes a Touch-Up Kit (TUK)

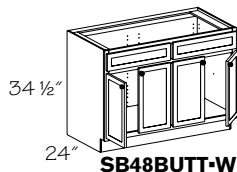
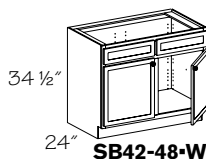
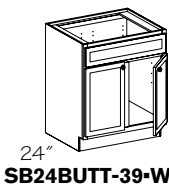
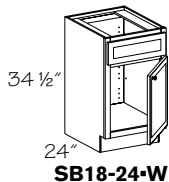
PE	IF
APC	● TWR
APFC	WR
FPEB	● XS
MI	XSG
DE	GD
OE	RTK
AD_E	RTKP
CW	VTK
RD	TKD
CH	

Opening Sizes		
Cabinet	Top Width	Top Depth
SB24BUTT.CG	21 1/16"	22 3/8"
SB27.CG	24 1/16"	22 3/8"
SB30BUTT.CG	27 1/16"	22 3/8"
SB33BUTT.CG	30 1/16"	22 3/8"
SB36BUTT.CG	33 1/16"	22 3/8"



Caution: For an island/peninsula installation, the CoreGuard® Sink cabinet **must** have a minimum of one (1) 15" cabinet or larger installed adjacent to it in order for the island/peninsula to have adequate structural stability. Accessories **cannot** be installed on end panels, back or floor of the cabinet

Wood Sink Base



- | | |
|---|---|
| <p><i>One Drawer Front</i></p> <ul style="list-style-type: none"> ○ SB18 R or L.W ○ SB21 R or L.W ○ SB24 R or L.W ○ SB24 BUTT.W ○ SB27 (Butt).W ○ SB30 BUTT.W ○ SB33 BUTT.W ○ SB36 BUTT.W ◆ SB39 .W | <p><i>Two Drawer Fronts</i></p> <ul style="list-style-type: none"> ◆ SB42 .W ◆† SB45 .W ◆† SB48 .W ○◆†■ SB48 BUTT.W |
|---|---|
- Change Width (CW) option **not** available
 - ◆ Deluxe Dovetailed full-width Trays (DXFWT) **not** available
 - † Toe Kick Drawer (TKD) option **not** available
 - Glass inserts **not** available on ends

- Specify R or L for single door hinging
- No shelf
- False drawer front(s)
- Optional Door Storage Unit (SBDSU) is available
- Optional Utensil Trays (UT and SUT) are available
- Includes a Touch-Up Kit (TUK)
- Use Full-Height Kitchen (FHK) option to achieve a full-height door look
- ☆ Operational End (OE) is **not** available with Reduced Depth (RD) option

● PE	● IF
● APC	● TWR
● APFC	● WR
● FPEB	● XS
● MI	● XSG
● DE	☆ GD
☆ OE	● RTK
● AD_E	● RTKP
☆ CW	● VTK
● RD	☆ TKD
● CH	

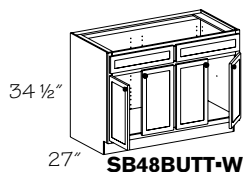
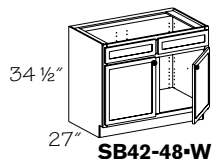
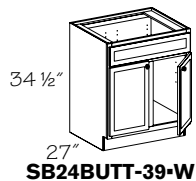
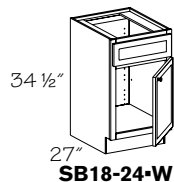


When you need an inverted frame for a sink base cabinet, consider using a regular base with a drawer instead of a sink base if plumbing allows. This way you get a working drawer at the bottom of your cabinet.



Remember, a cabinet designated BUTT or (Butt) has no center stile. When you see the word BUTT in all capitals, it **must** be included as part of your ordering nomenclature, a (Butt) in parentheses is for your information and isn't required on an order form

Wood Sink Base 27" Deep



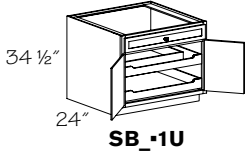
- | | |
|---|---|
| <p><i>One Drawer Front</i></p> <ul style="list-style-type: none"> ○ SB1827 R or L.W ○ SB2127 R or L.W ○ SB2427 R or L.W ○ SB2427 BUTT.W ○ SB2727 (Butt).W ○ SB3027 BUTT.W ○ SB3327 BUTT.W ○ SB3627 BUTT.W ○ SB3927 .W | <p><i>Two Drawer Fronts</i></p> <ul style="list-style-type: none"> ○ SB4227 .W ○ SB4527 .W ○ SB4827 .W ○■ SB4827 BUTT.W |
|---|---|
- Change Width (CW) option **not** available
 - Glass inserts **not** available on ends

- Specify R or L for single door hinging
- No shelf
- False drawer front(s)
- Optional Door Storage Unit (SBDSU) is available
- Optional Utensil Trays (UT and SUT) are available
- Will **not** accommodate Roll-out Trays (ROT)
- Includes a Touch-Up Kit (TUK)
- Use Full-Height Kitchen (FHK) option to achieve a full-height door look
- ☆ Operational End (OE) is **not** available with Reduced Depth (RD) option

● PE	● IF
● APC	● TWR
● APFC	● WR
● FPEB	● XS
● MI	● XSG
● DE	☆ GD
☆ OE	● RTK
● AD_E	● RTKP
☆ CW	● VTK
● RD	TKD
● CH	

Sink Base w/Roll-Out Trays

● PE	● IF
● APC	● TWR
● APFC	● WR
● FPFB	● XS
● MI	● XSG
● DE	● GD
● OE	● RTK
● AD_E	● RTKP
● CW	● VTK
● RD	● TKD
● CH	



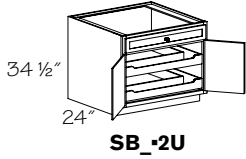
SB_1U

One Deep Full Width Tray,
One Deep "U" Shaped Tray

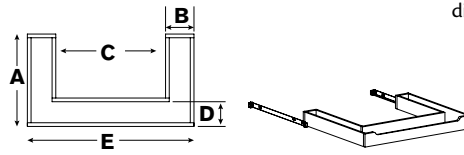
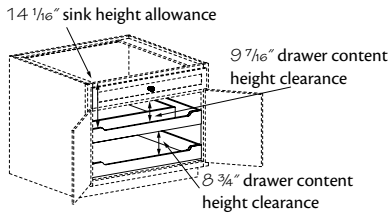
- SB36 .2SBROT.1U**
- SB39 .2SBROT.1U**
- SB42 .2SBROT.1U**

Two Deep "U" Shaped Trays

- SB36 .2SBROT.2U**
- SB39 .2SBROT.2U**
- SB42 .2SBROT.2U**



SB_2U

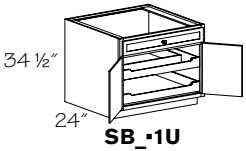


Cabinet	Opening	A	B	C	D	E
SB36.2SBROT	33"	17 23/32"	5 7/16"	22 1/2"	4"	32"
SB39.2SBROT	36"	17 23/32"	5 7/16"	25 1/2"	4"	35"
SB42.2SBROT	39"	17 23/32"	5 7/16"	28 1/2"	4"	38"

- Two door cabinet with top false drawer front; two Sink Base Roll-out Trays (ROT) in the door section
- "U" shaped drawers are 21" Deep; 4" High
- Full Width Deep drawers are 21" Deep; 4" High
- Roll-out Trays (ROT) are 5/8" solid wood dovetailed sides with 3/16" plywood bottom, notched front and full extension runners with integrated buffer
- SB36 is designed for a 30" sink (drawer width clearance-21 1/16")
- SB39 is designed for a 33" sink (drawer width clearance-24 1/16")
- SB42 is designed for a 36" sink (drawer width clearance-27 1/16")
- Cabinets are **not** designed for sinks with drains that are offset toward the outer edges. Be sure to check sink manufacturer's specifications for drain placement and clearance requirements. Also consider clearance for disposals and other under-sink appliances

Sink Base w/Roll-Out Trays and Utensil Tray

● PE	● IF
● APC	● TWR
● APFC	● WR
● FPFB	● XS
● MI	● XSG
● DE	● GD
● OE	● RTK
● AD_E	● RTKP
● CW	● VTK
● RD	● TKD
● CH	



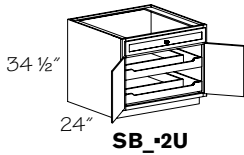
SB_1U

One Standard Full Width Tray,
One "U" shaped Tray

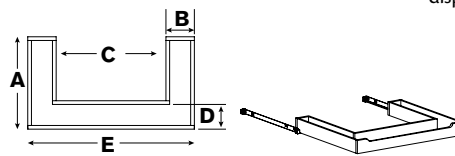
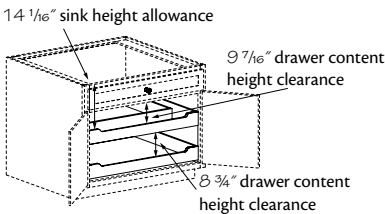
- SB36 .SUT.2SBROT.1U**
- SB39 .SUT.2SBROT.1U**
- SB42 .SUT.2SBROT.1U**

Two "U" Shaped Trays

- SB36 .SUT.2SBROT.2U**
- SB39 .SUT.2SBROT.2U**
- SB42 .SUT.2SBROT.2U**



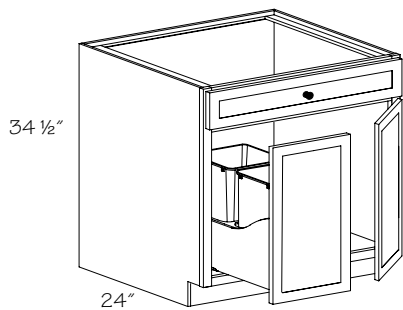
SB_2U



Cabinet	Opening	A	B	C	D	E
SB36.SUT.2SBROT	33"	17 23/32"	5 7/16"	22 1/2"	4"	32"
SB39.SUT.2SBROT	36"	17 23/32"	5 7/16"	25 1/2"	4"	35"
SB42.SUT.2SBROT	39"	17 23/32"	5 7/16"	28 1/2"	4"	38"

- Two door cabinet with top stainless utensil tray; two Sink Base Roll-out Trays (ROT) in the door section
- "U" shaped drawers are 21" Deep; 4" High
- Full Width Deep drawers are 21" Deep; 4" High
- Roll-out Trays (ROT) are 5/8" solid wood dovetailed sides with 3/16" plywood bottom, notched front and full extension runners with integrated buffer
- SB36 is designed for a 30" sink (drawer width clearance-21 1/16")
- SB39 is designed for a 33" sink (drawer width clearance-24 1/16")
- SB42 is designed for a 36" sink (drawer width clearance-27 1/16")
- Cabinets are **not** designed for sinks with drains that are offset toward the outer edges. Be sure to check sink manufacturer's specifications for drain placement and clearance requirements. Also consider clearance for disposals and other under-sink appliances

Sink Base Wastebasket

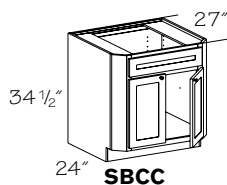


- | | |
|---|--|
| <p><i>Right Side</i></p> <ul style="list-style-type: none"> *+ SBWBR30 BUTT.W *+ SBWBR33 BUTT.W *▲ SBWBR36 BUTT.W | <p><i>Left Side</i></p> <ul style="list-style-type: none"> ◆+ SBWBL30 BUTT.W ◆+ SBWBL33 BUTT.W ◆▲ SBWBL36 BUTT.W |
|---|--|
- * **Not** available with Operational End (OE) right
 - ◆ **Not** available with Operational End (OE) left
 - + One 35 qt. capacity white basket
 - ▲ Two 35 qt. capacity white baskets

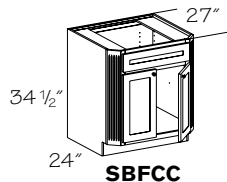
- Sink **must** be a single bowl with an offset drain opposite the wastebasket
- Sink **cannot** be deeper than 8" for under mount applications and 9" for top mount applications because of wastebasket interference
- No shelf
- False Front
- Includes a Touch-Up Kit (TUK)

● PE	● IF
● APC	● TWR
● APFC	● WR
● FPFB	● XS
MI	XSG
● DE	GD
☆ OE	● RTK
● AD_E	● RTKP
CW	● VTK
RD	● TKD
CH	

Sink Base-Clipped and Fluted Clipped Corners



SBCC



SBFCC

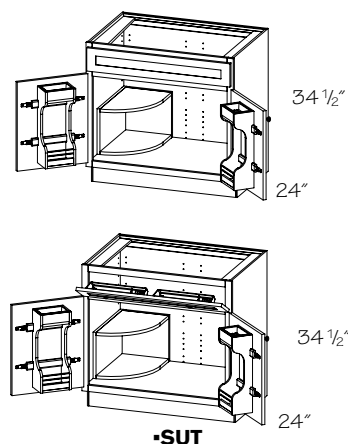
- | | |
|--|---|
| <p><i>Clipped Corners</i></p> <ul style="list-style-type: none"> SBCC3027 BUTT SBCC3327 BUTT SBCC3627 BUTT SBCC4227 BUTT | <p><i>Fluted Clipped Corners</i></p> <ul style="list-style-type: none"> ▲ SBFCC3027 BUTT ▲ SBFCC3327 BUTT ▲ SBFCC3627 BUTT ▲ SBFCC4227 BUTT |
|--|---|

▲ Quartersawn door styles are supplied plain sawn

- No shelf
- False drawer front
- Optional Door Storage Unit (SBDSU) is available
- Optional Utensil Trays (UT and SUT) are available
- Angled stiles extend 3" each side
- Nominal width is overall cabinet width. Order Example: SBCC3027BUTT is 30" wide
- Factory installed Roll-out Trays (ROT) are **not** available
- Can be used as corner sink by butting up adjacent cabinets to the clipped corner area
- Includes a Touch-Up Kit (TUK)
- Use Full-Height Kitchen (FHK) option to achieve a full-height door look
- ☆ Minimum Reduced Depth (RD) is 15"

● PE	● IF
● APC	● TWR
● APFC	WR
● FPFB	XS
MI	XSG
DE	● GD
OE	RTK
AD_E	RTKP
CW	● VTK
☆ RD	TKD
CH	

Sink Base Multi-Storage Cabinet

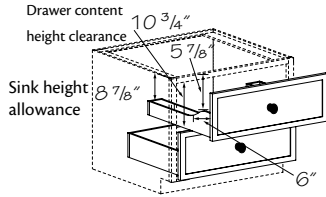
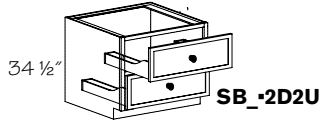
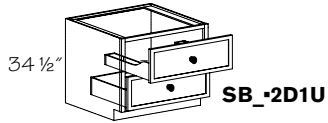


- | | |
|--|--|
| <p><i>No Tray</i></p> <ul style="list-style-type: none"> SBMS30 BUTT SBMS33 BUTT SBMS36 BUTT ◆ SBMS39 ◆ SBMS42 | <p><i>With Stainless Utensil Tray</i></p> <ul style="list-style-type: none"> SBMS30 BUTT.SUT SBMS33 BUTT.SUT SBMS36 BUTT.SUT ◆ SBMS39 .SUT ◆ SBMS42 .SUT |
|--|--|
- ◆ 3" center stile

- No shelf
- False drawer front(s)
- Includes two Door Storage Units (SBDSU) and one Multi-Storage Shelf (SBMSSK)
- Sink Base Multi-Storage Shelf Kit (SBMSSK) shipped separately
- ☆ Sink Base Multi-Storage Shelf Kit (SBMSSK) is Natural Birch plywood and does **not** come matching
- Includes a Touch-Up Kit (TUK)

● PE	● IF
● APC	● TWR
● APFC	● WR
● FPFB	● XS
☆ MI	XSG
● DE	GD
OE	● RTK
● AD_E	● RTKP
CW	● VTK
RD	● TKD
CH	

Sink Base Drawer

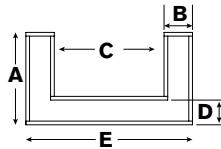


One "U" Shaped Drawer,
One Full Width Drawer

- SB36 .2D1U**
- SB39 .2D1U**
- SB42 .2D1U**

Two "U" Shaped Drawers

- SB36 .2D2U**
- SB39 .2D2U**
- SB42 .2D2U**



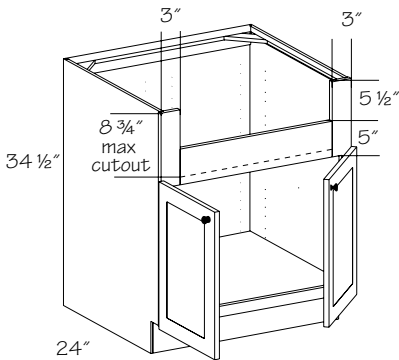
Cabinet	Opening	A	B	C	D	E
SB36.2D(1U&2U)	33"	17 23/32"	5 7/16"	21 5/9"	4"	32 4/9"
SB39.2D(1U&2U)	36"	17 23/32"	5 7/16"	26"	4"	35 4/9"
SB42.2D(1U&2U)	39"	17 23/32"	5 7/16"	29"	4"	38 4/9"

- "U" shaped drawers are 7" to 4" scoop, 21" deep
- Full width drawer is 7" high, 21" deep (**Not** "U" shaped)
- SB36 is designed for a 30" sink (drawer width clearance-21 1/16")
- SB39 is designed for a 33" sink (drawer width clearance-24 1/16")
- SB42 is designed for a 36" sink (drawer width clearance-27 1/16")

● PE	● IF
● APC	● TWR
● APFC	● WR
● FPFB	● XS
● MI	● XSG
● DE	● GD
● OE	● RTK
● AD_E	● RTKP
● CW	● VTK
● RD	● TKD
● CH	

- Cabinets are **not** designed for sinks with drains that are offset toward the outer edges. Be sure to check sink manufacturer's specifications for drain placement and clearance requirements. Also consider clearance for disposals and other under-sink appliances

Deep Sink Base



- DSB30 BUTT**
- DSB33 BUTT**
- DSB36 BUTT**
- DSB39 BUTT**
- DSB42 BUTT**

- 3" stiles are routed to 1 1/2" in the door area
- Includes a Touch-Up Kit (TUK)
- **Note:** Be sure to follow manufacturer's specifications to ensure proper sink fit

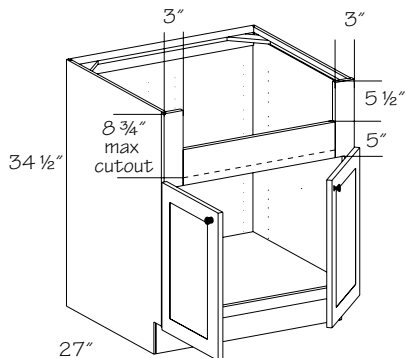


To avoid cutting the side walls of a sink base cabinet, make sure your

sink base cabinet is at least 2 1/2" wider than the overall width of your sink. If your overall front-to-back sink depth is 22 1/2" or greater use a 27" deep sink base.

● PE	● IF
● APC	● TWR
● APFC	● WR
● FPFB	● XS
● MI	● XSG
● DE	● GD
● OE	● RTK
● AD_E	● RTKP
● CW	● VTK
● RD	● TKD
● CH	

Deep Sink Base 27" Deep

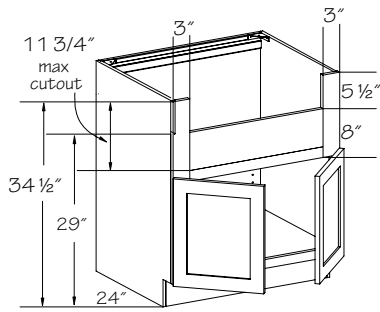


- DSB3027 BUTT**
- DSB3327 BUTT**
- DSB3627 BUTT**

- Will **not** accommodate Roll-out Trays (ROT)
- Maximum cutout height is 8 3/4"
- 3" stiles are routed to 1 1/2" in the door area
- Includes a Touch-Up Kit (TUK)
- **Note:** Be sure to follow manufacturer's specifications to ensure proper sink fit

● PE	● IF
● APC	● TWR
● APFC	● WR
● FPFB	● XS
● MI	● XSG
● DE	● GD
● OE	● RTK
● AD_E	● RTKP
● CW	● VTK
● RD	● TKD
● CH	

Deep Sink Base Extended

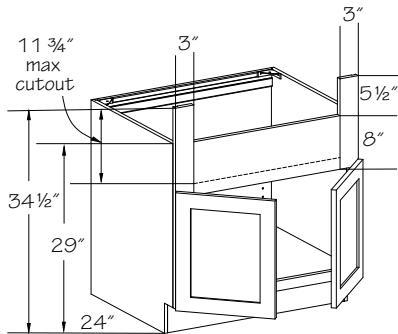


DSBE30 BUTT
DSBE33 BUTT
DSBE36 BUTT
DSBE39 BUTT
DSBE42 BUTT

- 3" stiles are routed to 1 1/2" in the door area
- Maximum cutout height is 11 3/4"
- Includes a Touch-Up Kit (TUK)
- **Note:** Be sure to follow manufacturer's specifications to ensure proper sink fit

● PE	IF
● APC	TWR
● APFC	● WR
● FPFB	● XS
● MI	XSG
DE	● GD
OE	● RTK
● AD_E	● RTKP
● CW	● VTK
● RD	● TKD
CH	

Apron Sink Base Extended



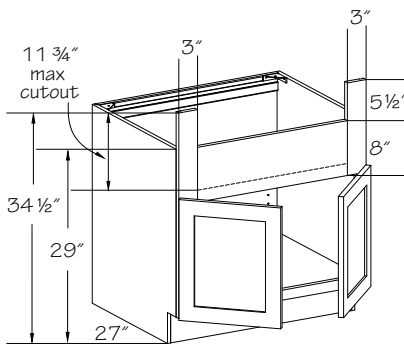
APSBE30 BUTT
APSBE33 BUTT
APSBE36 BUTT
APSBE39 BUTT
APSBE42 BUTT
 † **APSBE45 BUTT**
 † **APSBE48 BUTT**

† Toe Kick Drawer (TKD) option **not** available

- No shelf
- 3" top stiles
- Maximum cutout height is 11 3/4"
- Additional support rails are required—refer to sink manufacturer
- Includes a Touch-Up Kit (TUK)
- All Plywood Furniture Construction (APFC) will be supplied when All Plywood Construction (APC) is selected; cabinets have standard furniture plywood ends
- **Note:** Be sure to follow manufacturer's specifications to ensure proper sink fit

● PE	IF
● APC	TWR
☆ APFC	● WR
◇ FPFB	● XS
● MI	XSG
DE	● GD
OE	RTK
AD_E	RTKP
● CW	● VTK
● RD	☆ TKD
CH	

Apron Sink Base Extended 27" Deep



APSBE3027 BUTT
APSBE3327 BUTT
APSBE3627 BUTT
APSBE3927 BUTT
APSBE4227 BUTT
APSBE4527 BUTT
APSBE4827 BUTT

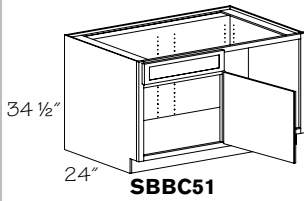
- No shelf
- 3" top stiles
- Maximum cutout height is 11 3/4"
- Additional support rails are required—refer to sink manufacturer
- Includes a Touch-Up Kit (TUK)
- Roll-out Trays (ROT) are **not** available
- All Plywood Furniture Construction (APFC) will be supplied when All Plywood Construction (APC) is selected; cabinets have standard furniture plywood ends
- **Note:** Be sure to follow manufacturer's specifications to ensure proper sink fit

● PE	IF
● APC	TWR
☆ APFC	● WR
◇ FPFB	● XS
● MI	XSG
DE	● GD
OE	RTK
AD_E	RTKP
● CW	● VTK
● RD	TKD
CH	

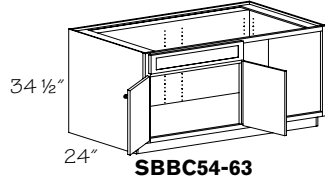


We recommend using a Filler Extension (FE) on 27" deep cabinets if adjacent cabinetry will **not** be pulled flush to the Sink Base Cabinetry

Sink Base Blind Corner



SBBC51



SBBC54-63

- SBBC51 R or L**
- SBBC54 R or L**
- SBBC57 R or L**
- SBBC60 R or L**
- SBBC63 R or L**

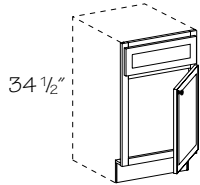
- Specify R or L; R or L indicates blind
- Blind panel (stile) is 8" wide
- Blind opening is covered with an unfinished panel
- Right blind shown
- Door is hinged from blind panel
- Filler included
- Overlay Panel for Base Blind Corner (OPWBC) **must** be ordered separately
- False drawer front
- Factory installed Roll-out Trays (ROT) are **not** available

● PE	IF
● APC	TWR
● APFC	● WR
● FPFB	● XS
● MI	XSG
● DE	● GD
● OE	● RTK
● AD_E	● RTKP
● CW	● VTK
● RD	TKD
● CH	

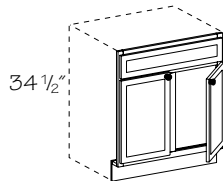
Cabinet	Sink Width (if centered with doors)	Wall Space "A"		Exposed Front "B"		Door Open "C"	Cab. Width	Wall Space "A"		Exposed Front "B"		Door Open "C"	Cab. Width
		Min *	Max.	Min *	Max			Min *	Max	Min *	Max		
SBBC51	16 7/8"	49 1/2"	52 3/4"	25 1/2"	28 3/4"	21"	48"	50 1/4"	53 3/4"	26 1/4"	29 3/4"	21"	48"
SBBC54*	19 7/8"	52 1/2"	55 3/4"	28 1/2"	31 3/4"	24"	51"	53 1/4"	56 3/4"	29 1/4"	32 3/4"	24"	51"
SBBC57*	22 7/8"	55 1/2"	58 3/4"	31 1/2"	34 3/4"	27"	54"	56 1/4"	59 3/4"	32 1/4"	35 3/4"	27"	54"
SBBC60*	25 7/8"	58 1/2"	61 3/4"	34 1/2"	37 3/4"	30"	57"	59 1/4"	62 3/4"	35 1/4"	38 3/4"	30"	57"
SBBC63*	28 7/8"	61 1/2"	64 3/4"	37 1/2"	40 3/4"	33"	60"	62 1/4"	65 3/4"	38 1/4"	41 3/4"	33"	60"

* Dimensions "A" and "B" minimum requirements include optional decorative hardware clearance. You may deduct 1 1/4" if hardware is not used.
 * Cabinets will have BUTT doors

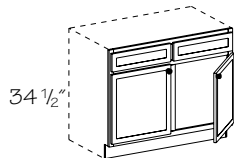
Sink Front



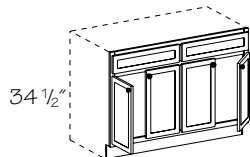
SF18-24



SF24BUTT-39



SF42-48



SF48BUTT

One Drawer Front

- SF18 R or L**
- SF21 R or L**
- SF24 R or L**
- **SF24 BUTT**
- SF27 (Butt)**
- SF30**
- SF30 BUTT**
- SF33**
- SF33 BUTT**
- SF36**
- SF36 BUTT**
- SF39**

Two Drawer Fronts

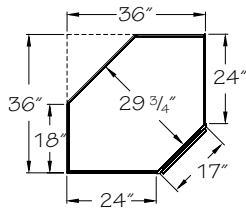
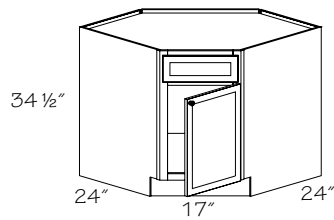
- SF42**
- SF45**
- SF48**
- ▲○ **SF48 BUTT**

- Specify R or L for single door hinging
- Includes floor; shipped loose
- Optional Utensil Trays (UT and SUT) are available
- Unit is **not** trimmable
- Includes a Touch-Up Kit (TUK)
- Use Full-Height Kitchen (FHK) option to achieve a full-height door look

PE	IF
● APC	● TWR
APFC	● WR
FPFB	● XS
MI	XSG
DE	● GD
OE	RTK
AD_E	RTKP
☆ CW	VTK
RD	TKD
● CH	

- Change Width (CW) option **not** available
- ▲ Two pair of butt doors

Sink Base Angle



Right shown

SBA36 R or L

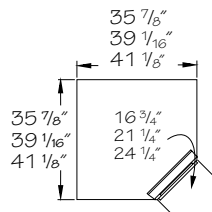
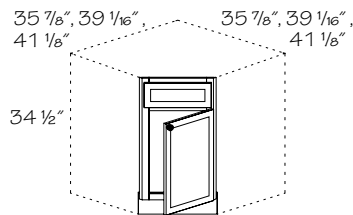
- Specify R or L for single door hinging
- No shelf
- False drawer front
- Optional Utensil Trays (UT and SUT) are available
- Includes a Touch-Up Kit (TUK)
- Back Options (BEB and VGRB) **not** available
- Contrasting Back Options (CBEB, CPLB, CVGR) **not** available
- Use Full-Height Kitchen (FHK) option to achieve a full-height door look
- **Note:** Full overlay door styles use a 1/2" overlay hinge
- **Note:** Will **not** accommodate double bowl sink

● PE	IF
● APC	● TWR
● APFC	● WR
● FPEB	XS
● MI	XSG
DE	● GD
OE	● RTK
● AD_E	RTKP
CW	● VTK
RD	TKD
● CH	



When using a corner sink in your design, it is recommended to install at least a 15" cabinet between the corner sink and dishwasher. This will allow a comfortable space to load and unload the unit.

Sink Front Angle



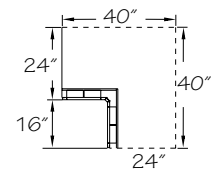
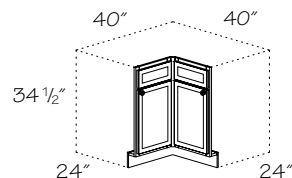
- SFA36 R or L
- ▲ SFA39 R or L
- ▲ SFA42 R or L
- ※ SFA42 BUTT

- Change Width (CW) option **not** available
- ▲ Available in full overlay door styles only
- ※ **Not** available in full overlay door styles

- Specify R or L for single door hinging
- Includes 48" x 48" x 1/2" floor; floor shipped separately
- Optional Utensil Trays (UT and SUT) are available
- Toe kick shipped unattached
- Includes a Touch-Up Kit (TUK)
- Use Full-Height Kitchen (FHK) option to achieve a full-height door look
- **Note:** Full overlay door styles use a 1/2" overlay hinge

PE	IF
● APC	● TWR
APFC	● WR
FPEB	XS
MI	XSG
DE	● GD
OE	RTK
AD_E	RTKP
☆ CW	● VTK
RD	TKD
● CH	

Sink Front Corner 90°



SFC40

- Optional Utensil Tray Kit (UTK) is available
- Includes a Touch-Up Kit (TUK)
- Use Full-Height Kitchen (FHK) option to achieve a full-height door look
- **Note:** Includes two 16" Cabinet Front Only (CFO), 1-1 1/4" solid spacer and 48" x 48" x 1/2" floor. Floor Shipped separately

PE	IF
● APC	● TWR
APFC	● WR
FPEB	● XS
MI	XSG
DE	● GD
OE	RTK
AD_E	RTKP
CW	● VTK
RD	TKD
CH	

Base Appliance Cabinets

Construction Options and Modifications

- PE Plywood Ends
- APC All Plywood Construction
- APFC All Plywood Furniture Construction
- FPEB Furniture Plywood Ends
- MI Matching Interior
- DE Integrated Decorative End
- OE Operational End
- AD_E Attached Decorative End
- CW Change Width
- RD Reduced Depth
- CH Change Height
- IF Inverted Frame
- TWR Top Wide Rail
- WR Wide Bottom Rail
- XS Extended Stile
- GD Glass Doors
- RTK Recessed Toe Kick
- RTKP Recessed Toe Kick Peninsula
- VTK Void Toe Kick

BMC	30	24	46
code	width	depth	height

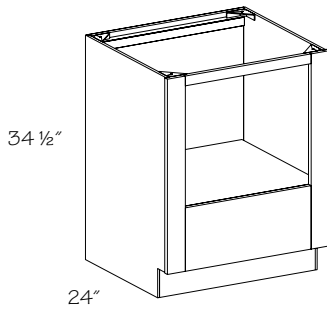
- ❖ Included as standard
- Available with an upcharge
- ☆ Available with exceptions
- (Blank) **Not** available

When BUTT is in all capitals, it **must** be included as part of your ordering nomenclature. A (Butt) in parentheses is for your information and isn't required on an order form.

Material dimensions listed may vary slightly from actual dimensions of the product.

Specifications subject to change without notice.

Base Oven Cabinet Universal



- BOCU24
- BOCU27
- BOCU30
- BOCU33
- ※ BOCU36
- ※ BOCU39
- ※ BOCU42
- Change Width (CW) option **not** available
- ※ 4 1/2" stiles

- Adjustable plywood floor
- 3" stiles
- For undercounter mounting of single ovens
- Contrasting Back Options (CBEB, CPLB, CVGR) **not** available
- Change Height (CH) and Change Width (CW) changes will occur in the cabinet opening - stiles and rails will **not** change
- Backless construction used in appliance opening area

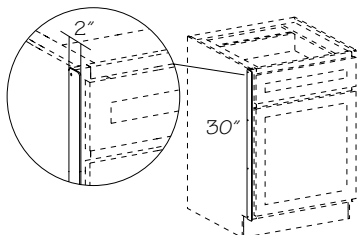
● PE	● CH
● APC	● IF
● APFC	● TWR
● FPEB	● WR
● MI	● XS
● DE	● GD
● OE	● RTK
● AD_E	● RTKP
☆ CW	● VTK
● RD	

Cabinet Width	Min. Width	Max. Width	Min. Height	Max.* Height
24"	18"	22"	18 3/4"	28 3/4"
27"	21"	25"	18 3/4"	28 3/4"
30"	24"	28"	18 3/4"	28 3/4"
33"	27"	31"	18 3/4"	28 3/4"
36"	27"	34"	18 3/4"	28 3/4"
39"	30"	37"	18 3/4"	28 3/4"
42"	33"	40"	18 3/4"	28 3/4"

*Includes removal of top rail

Heat Shield

HSD

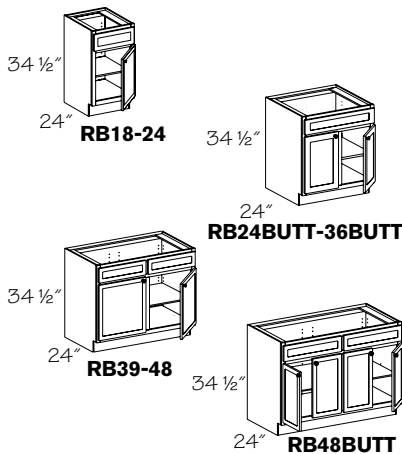


- 1/16" thick
- Two clear acrylic heat shields with installation screws
- Recommended to shield Thermofoil and Foil door styles from adjacent oven heat
- Required for warranty on Foil door styles

PE	CH
APC	IF
APFC	TWR
FPEB	WR
MI	XS
DE	GD
OE	RTK
AD_E	RTKP
CW	VTK
RD	



Remember, when ordering Foil doors, to order a Heat Shield(s) (HSD) to apply to the base cabinet(s) adjacent to the oven.



Range Base

One Drawer Front

- **RB18 R or L**
- **RB21 R or L**
- **RB24 R or L**
- **RB24 BUTT**
- **RB27 (Butt)**
- **RB30**
- **RB30 BUTT**
- **RB33**
- **RB33 BUTT**
- **RB36**
- **RB36 BUTT**

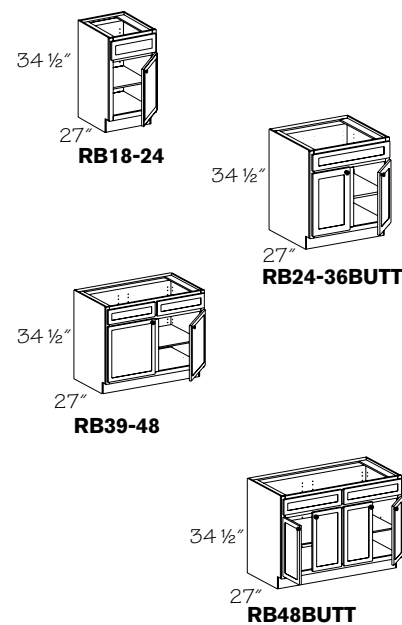
Two Drawer Fronts

- ◆ **RB39**
- ◆ **RB42**
- ◆† **RB45**
- ◆† **RB48**
- ◆○+■ **RB48 BUTT**

- Specify R or L for single door hinging
- One adjustable shelf
- False drawer front(s)
- ☆ Operational End (OE) is *not* available with Reduced Depth (RD) option

● PE	● CH
● APC	● IF
● APFC	● TWR
● FPEB	● WR
● MI	● XS
● DE	☆ GD
☆ OE	● RTK
● AD_E	● RTKP
☆ CW	● VTK
● RD	

- Change Width (CW) option *not* available
- ◆ Deluxe Dovetailed full-width Trays (DXFWT) *not* available
- † Toe Kick Drawer (TKD) option *not* available
- Glass inserts *not* available on ends



Range Base 27" Deep

One Drawer Front

- **RB1827 R or L**
- **RB2127 R or L**
- **RB2427 R or L**
- **RB2427 BUTT**
- **RB2727 (Butt)**
- **RB3027**
- **RB3027 BUTT**
- **RB3327**
- **RB3327 BUTT**
- **RB3627**
- **RB3627 BUTT**

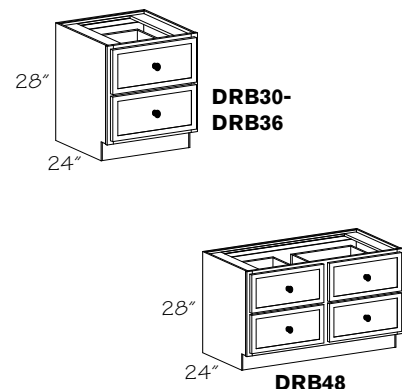
Two Drawer Fronts

- **RB3927**
- **RB4227**
- **RB4527**
- **RB4827**
- **RB4827 BUTT**

- Specify R or L for single door hinging
- One adjustable shelf
- False drawer front(s)
- Roll-out Trays (ROT) are *not* available

● PE	● CH
● APC	● IF
● APFC	● TWR
● FPEB	● WR
● MI	● XS
● DE	☆ GD
● OE	● RTK
● AD_E	● RTKP
☆ CW	● VTK
● RD	

- Change Width (CW) option *not* available
- Glass inserts *not* available on ends



Deep Range Base

- **DRB302428**
- **DRB362428**
- **DRB482428**

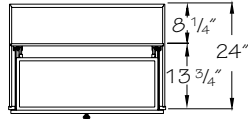
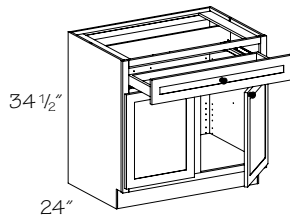
- Change Width (CW) option *not* available

- Accommodates cook tops, with or without front mounted controls
- 7" deep drawers
- Supplied with a 3" high filler to accommodate different range heights
- ☆ Minimum Reduced Depth (RD) is 21"

• **Note:** Be sure to follow manufacturer's specifications to ensure proper cooktop fit

● PE	● CH
● APC	● IF
● APFC	● TWR
● FPEB	● WR
● MI	● XS
● DE	● GD
● OE	● RTK
● AD_E	● RTKP
☆ CW	● VTK
☆ RD	

Down Draft Base



One Drawer Front

- DDB30**
- DDB30 BUTT**
- DDB33**
- DDB33 BUTT**
- DDB36**
- DDB36 BUTT**
- DDB39**

Two Drawer Fronts

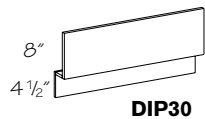
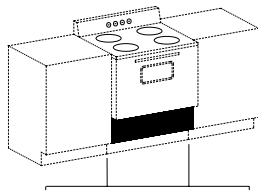
- DDB42**
- † **DDB45**
- † **DDB48**
- ▲† **DDB48 BUTT**

- † Toe Kick Drawer (TKD) option **not** available
- ▲ Two pair of butt doors

- Factory installed Roll-out Trays (ROT) are **not** available
- Top drawer will have scooped drawer option (STDW), 2 1/4" high, 11 13/16" deep drawer box
- **Not** available with any installed drawer box accessories
- **Not** available with Full-Height Door (FHK) option
- **Note:** Designed to be used with rear vent systems. **Not** designed for center vent systems

● PE	● CH
● APC	● IF
● APFC	● TWR
● FPEB	● WR
● MI	● XS
DE	● GD
OE	● RTK
● AD_E	● RTKP
CW	● VTK
RD	

Drop-in Range Panel

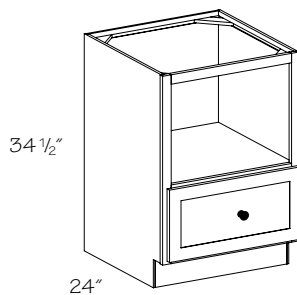


DIP30

- Matching front panel may be trimmed to fit drop-in range
- Toe kick included

PE	CH
APC	IF
APFC	TWR
FPEB	WR
MI	XS
DE	GD
OE	RTK
AD_E	RTKP
CW	VTK
RD	

Base Microwave Cabinet 34 1/2" H w/Deep Bottom Drawer



Opening: Width: 21"; Height: 16"

○ **BMC242434**

Opening: Width: 24"; Height: 16"

BMC272434

Opening: Width: 27"; Height: 16"

BMC302434

○ Change Width (CW) option **not** available

- Deep bottom drawer
- Designed for countertop style microwaves
- Change Height (CH) modified in open section of cabinet

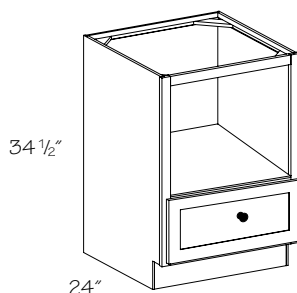


When ordering an unfinished cabinet that has standard Matching

Interior (MIV), you **must** use MIP, MIFP or FPEB to get a wood veneer matching interior. If the cabinet is Wood Veneer standard, ordered as All Plywood (APC) or with Furniture Plywood Ends (FPEB, APFC), wood veneer matching interior will be standard.

● PE	● CH
● APC	● IF
● APFC	● TWR
● FPEB	● WR
◇ MI	● XS
DE	● GD
OE	● RTK
● AD_E	● RTKP
☆ CW	● VTK
● RD	

Base Microwave Cabinet 34 1/2" H w/Bottom Drawer-Extended Opening



Opening: Width: 24"; Height: 19"

BMCE272434

Opening: Width: 27"; Height: 19"

BMCE302434

- 4" high drawer box
- Designed for countertop style microwaves

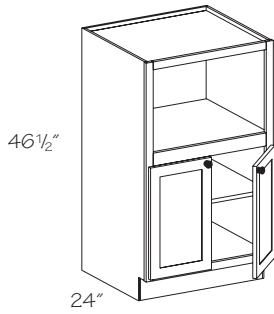


When ordering an unfinished cabinet that has standard Matching

Interior (MIV), you **must** use MIP, MIFP or FPEB to get a wood veneer matching interior. If the cabinet is Wood Veneer standard, ordered as All Plywood (APC) or with Furniture Plywood Ends (FPEB, APFC), wood veneer matching interior will be standard.

● PE	● CH
● APC	● IF
● APFC	● TWR
● FPEB	● WR
◇ MI	● XS
DE	● GD
OE	● RTK
● AD_E	● RTKP
● CW	● VTK
● RD	

Base Microwave Cabinet 46 1/2" H

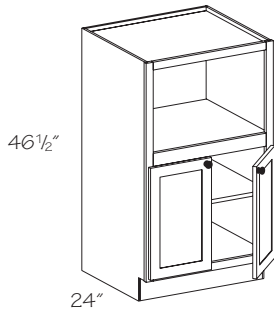


- Opening: Width 21"; Height 16"
- **BMC242446**
- Opening: Width 24"; Height 16"
- BMC272446**
- Opening: Width 27"; Height 16"
- BMC302446**
- Change Width (CW) option *not* available

- One adjustable shelf
- Standard cabinet ceiling construction, finished top required
- Designed for countertop style microwaves
- Use Microwave Kit – Compact (CMCK) to reduce opening height to 13"

● PE	CH
● APC	IF
● APFC	TWR
● FPEB	● WR
❖ MI	● XS
DE	● GD
OE	● RTK
AD_E	● RTKP
☆ CW	● VTK
● RD	

Base Microwave Cabinet 46 1/2" H–Extended Opening

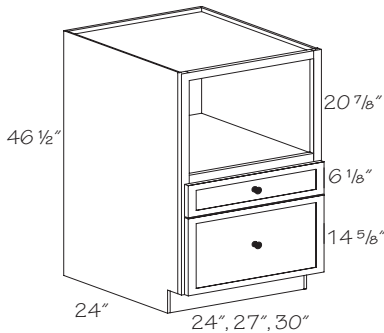


- Opening: Width 21"; Height 19"
- **BMCE242446**
- Opening: Width 24"; Height 19"
- BMCE272446**
- Opening: Width 27"; Height 19"
- BMCE302446**
- Change Width (CW) option *not* available

- One adjustable shelf
- Standard cabinet ceiling construction, finished top required
- Designed for countertop style microwaves
- Use Microwave Kit – Compact (CMCK) to reduce opening height to 13"

● PE	CH
● APC	IF
● APFC	TWR
● FPEB	● WR
❖ MI	● XS
DE	● GD
OE	● RTK
AD_E	● RTKP
☆ CW	● VTK
● RD	

Base Microwave Cabinet 46 1/2" H w/Drawers–Extended Opening

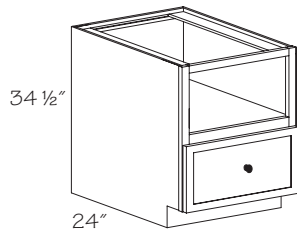


- Opening: Width 21"; Height 19"
- **BMUDE242446**
- Opening: Width 24"; Height 19"
- BMUDE272446**
- Opening: Width 27"; Height 19"
- BMUDE302446**
- Change Width (CW) option *not* available

- One 14 5/8" H and one 6 1/8" H full overlay drawer front
- Standard cabinet ceiling construction, finished top required
- Designed for countertop style microwaves
- Use Microwave Kit – Compact (CMCK) to reduce opening height to 13"

● PE	CH
● APC	IF
☆ APFC	TWR
● FPEB	● WR
❖ MI	● XS
DE	● GD
OE	● RTK
AD_E	● RTKP
☆ CW	● VTK
● RD	

Base Microwave Drawer

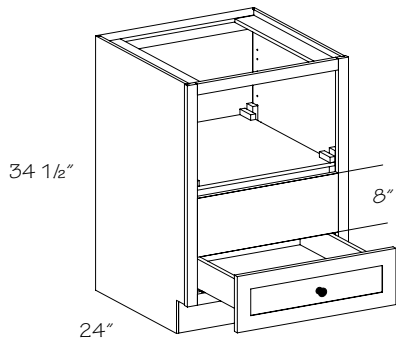


- | | Cutout |
|------------------------|--------------------------|
| ○ BMDC242434 .1 | 14 13/16" H X 22 1/8" W |
| BMDC272434 .1 | 14 13/16" H X 22 1/8" W |
| BMDC302434 .1 | 14 13/16" H X 28 7/16" W |
| BMDC332434 .1 | 14 13/16" H X 28 7/16" W |
| ○ BMDC242434 .2 | 15 3/16" H X 22 1/4" W |
| BMDC272434 .2 | 15 3/16" H X 22 1/4" W |
| BMDC302434 .2 | 15 3/16" H X 28 1/2" W |
| BMDC332434 .2 | 15 3/16" H X 28 1/2" W |
| ○ BMDC242434 .3 | 15 9/16" H X 22 1/8" W |
| BMDC272434 .3 | 15 9/16" H X 22 1/8" W |
- Change Width (CW) option *not* available

- Deep drawer designed for microwave drawer appliances (Check manufacturers specifications for opening requirements)
- 24" and 30" wide cabinets have 1 1/2" frame stiles
- 27" and 33" wide cabinets have 3" frame stiles
- Frame reveals will vary after appliances are installed based on cabinet width
- Backless construction used in appliance opening area

● PE	CH
● APC	IF
● APFC	TWR
● FPEB	● WR
❖ MI	● XS
DE	● GD
OE	● RTK
AD_E	● RTKP
☆ CW	● VTK
● RD	

Base Built-in Microwave Cabinet



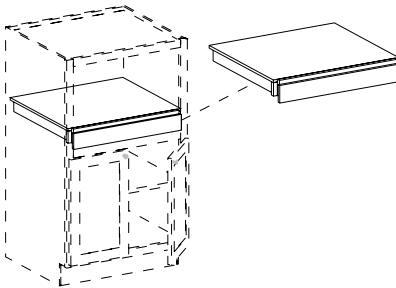
- **BBMC242434**
BBMC272434
BBMC302434
BBMC332434
- Change Width (CW) option **not** available

Cabinet Width	Min. Width	Max. Width	Min. Height	Max. Height
24"	21"	22"	14"	18"
27"	24"	25"	14"	18"
30"	27"	28"	14"	18"
33"	30"	31"	14"	18"

- Adjustable floor
- Plywood floor
- Drawer height is 4"
- Accepts manufacturer's trim kit
- Backless construction used in appliance opening area

● PE	● CH
● APC	● IF
● APFC	● TWR
● FPFB	● WR
◇ MI	● XS
DE	● GD
OE	● RTK
● AD_E	● RTKP
☆ CW	● VTK
● RD	

Microwave Kit-Compact

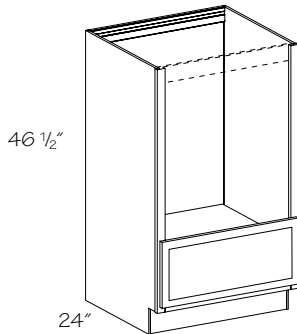


CMCK24
CMCK27

- Includes 3/4" matching printed wood grain laminate shelf with Pine mounting supports
- Kit designed to reduce opening height of Base Microwave Cabinet to 13"
- Slab drawer front in all door styles; DRPD **not** available
- Painted hardwood supplied for EverCore™

● PE	● CH
● APC	● IF
APFC	TWR
FPFB	WR
◇ MI	XS
DE	GD
OE	RTK
AD_E	RTKP
CW	VTK
● RD	

Base Dishwasher Cabinet



BDW272446

- Allows for 11" raised installation of standard dishwashers
- False drawer front
- Finished top required
- Plywood floor
- Top rail is removable (used for shipping purposes only)
- ☆ Only available with Recessed Toe Kick Peninsula Back (RTKP); **cannot** accommodate Recessed Toe Kick for sides (RTKPB, RTKPL, RTKPR)

● PE	● CH
● APC	● IF
● APFC	● TWR
● FPFB	● WR
MI	● XS
DE	GD
OE	RTK
AD_E	☆ RTKP
CW	● VTK
RD	

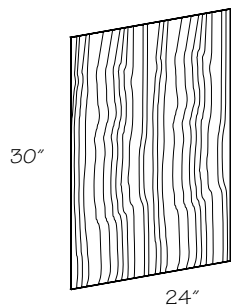


Consider ordering 46 1/2" high Base Microwave (BMC) and Dishwasher (BDW) Cabinets with Furniture Plywood Ends (FPFB) to bring the sides flush with the face frame. This will prevent having to notch the countertop of an adjacent cabinet to fit behind the face frame.



Consider using a three-drawer stack adjacent to this cabinet. The bottom false front will align with the bottom drawer base cabinets.

Dishwasher Panel

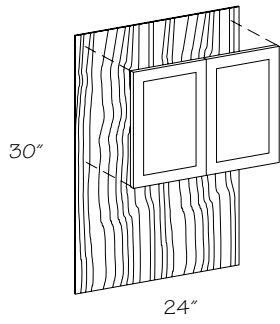


DWP

- 3/16" thick, plain panel
- Quartersawn door styles are quartersawn wood veneer
- Painted hardwood supplied for EverCore™
- Painted or Stained hardwood supplied for Wood-Grain Foil door styles
- Matching wood veneer or laminate
- **Must** be trimmed to fit

● PE	● CH
APC	IF
APFC	TWR
FPFB	WR
MI	XS
DE	GD
OE	RTK
AD_E	RTKP
CW	VTK
RD	

Dishwasher Raised Panel



DWP .RP

- Full overlay door styles receive one door. All other overlays receive two doors (style and color to match kitchen)
- Mounted to matching 3/16" wood veneer or laminate panel
- Bristow Crafted door styles are mounted to a plain sawn wood veneer panel
- Quartersawn Oak door styles are mounted to matching 3/16" quartersawn wood veneer panel
- Universally sized, **must** be trimmed to fit

PE	CH
APC	IF
APFC	TWR
FPEB	WR
MI	XS
DE	GD
OE	RTK
AD_E	RTKP
CW	VTK
RD	

Base Corner Cabinets

PBBC	36
code	width

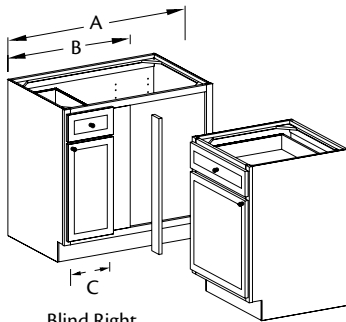
Material dimensions listed may vary slightly from actual dimensions of the product.

Specifications subject to change without notice.

Construction Options and Modifications

- ❖ Included as standard
- Available with an upcharge
- ☆ Available with exceptions
- (Blank) **Not** available

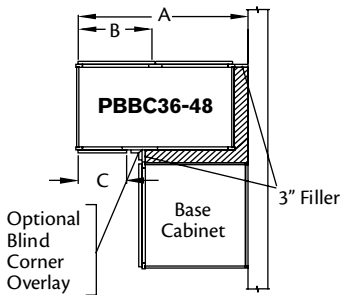
- PE Plywood Ends
- APC All Plywood Construction
- APFC All Plywood Furniture Construction
- FPEB Furniture Plywood Ends
- MI Matching Interior
- DE Integrated Decorative End
- AD_E Attached Decorative End
- CW Change Width
- RD Reduced Depth
- CH Change Height
- TWR Top Wide Rail
- WR Wide Bottom Rail
- XS Extended Stile
- GD Glass Doors
- RTK Recessed Toe Kick
- RTKP Recessed Toe Kick Peninsula
- VTK Void Toe Kick



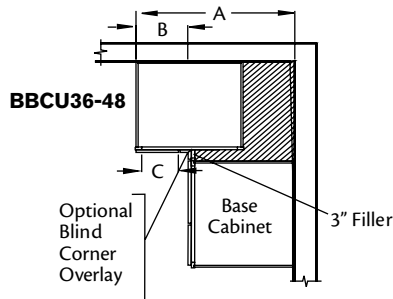
Blind Right Shown

Base Blind Corner Cabinet Information

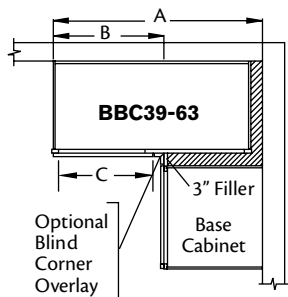
- Specify R or L; R or L indicates blind
- All Base Blind Corner (BBC) cabinets **must** be pulled. Consult chart or pull dimensions and minimum wall space requirements
- Door hinged on same side as blind on single door cabinets
- A 3" Base Filler (BF) is included with each Base Blind Corner (BBC) cabinet ordered, shipped separately. Base cabinet adjacent to BBC may be ordered with an extended stile in lieu of installing supplied filler
- Base Blind Corner Universal (BBCU) cabinets are shipped blind right standard, and may be reversed in field
- Two 3" Base Fillers (BF) are included with each Peninsula Base Blind Corner (PBBC) ordered except the PBBC 27
- Optional Panel for Base Blind Corner Overlay (OPWBC) is recommended for full overlay door styles; see Base Accessories section
- **Note:** For Sink Base Blind Corner (SBBC) cabinet, see Base Cabinets section



Peninsula Base Blind Corner Cabinet



Base Blind Cabinet Universal



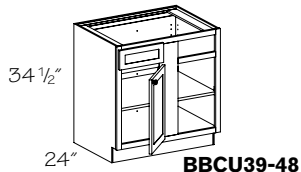
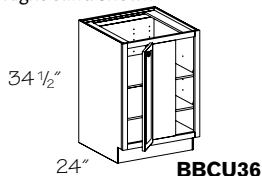
Base Blind Cabinet/
Sink Base Blind Cabinet

	½" Overlay				Door Open "C"	Cab. Width	Full Overlay					
	Wall Space "A"		Exposed Front "B"				Wall Space "A"		Exposed Front "B"			
	Min *	Max.	Min *	Max		Min *	Max	Min *	Max		Cab. Width	
BBCU 36	36"	40"	12"	16"	6"	24"	36"	40"	12"	16"	6"	24"
PBBC 36	34 ½"	37 ¾"	10 ½"	13 ¾"	6"	33"	35 ¼"	38 ¾"	11 ¼"	14 ¾"	6"	33"
BBC 39	37 ½"	40 ¾"	13 ½"	16 ¾"	9"	36"	38 ¼"	41 ¾"	14 ¼"	17 ¾"	9"	36"
BBCU 39	37 ½"	40 ¾"	13 ¾"	16 ¾"	9"	27"	38 ¼"	39 ¾"	13"	15 ¾"	9"	27"
P/BBC 42	40 ½"	43 ¾"	16 ½"	19 ¾"	12"	39"	41 ¼"	44 ¾"	17 ¼"	20 ¾"	12"	39"
BBCU 42	40 ½"	43 ¾"	16 ¾"	19 ¾"	12"	33"	41 ¼"	42 ¾"	16"	18 ¾"	12"	33"
BBC 45	43 ½"	46 ¾"	19 ½"	22 ¾"	15"	42"	44 ¼"	47 ¾"	20 ¼"	23 ¾"	15"	42"
BBCU 45	43 ½"	46 ¾"	19 ¾"	22 ¾"	15"	39"	44 ¼"	45 ¾"	19"	21 ¾"	15"	39"
P/BBC 48	46 ½"	49 ¾"	22 ½"	25 ¾"	18"	45"	47 ¼"	50 ¾"	23 ¼"	26 ¾"	18"	45"
BBCU 48	46 ½"	49 ¾"	22 ¾"	25 ¾"	18"	45"	47 ¼"	48 ¾"	22"	24 ¾"	18"	45"
BBC 51	49 ½"	52 ¾"	25 ½"	28 ¾"	21"	48"	50 ¼"	53 ¾"	26 ¼"	29 ¾"	21"	48"
BBC 54*	52 ½"	55 ¾"	28 ½"	31 ¾"	24"	51"	53 ¼"	56 ¾"	29 ¼"	32 ¾"	24"	51"
BBC 57*	55 ½"	58 ¾"	31 ½"	34 ¾"	27"	54"	56 ¼"	59 ¾"	32 ¼"	35 ¾"	27"	54"
BBC 60*	58 ½"	61 ¾"	34 ½"	37 ¾"	30"	57"	59 ¼"	62 ¾"	35 ¼"	38 ¾"	30"	57"
BBC 63*	61 ½"	64 ¾"	37 ½"	40 ¾"	33"	60"	62 ¼"	65 ¾"	38 ¼"	41 ¾"	33"	60"

* Dimensions "A" and "B" minimum requirements include optional decorative hardware clearance. You may deduct 1 1/4" if hardware is not used.
* Cabinets will have BUTT doors

Base Blind Corner Universal

Right Blind Shown



- ▲+ **BBCU36**
- **BBCU39**
- **BBCU42**
- **BBCU45**
- **BBCU48**

- ▲ Full-height door; 9" wide blind panel stile; two adjustable, full-depth shelves
- + Vega doors will have a solid, recessed flat panel
- 6" wide blind panel stile; one adjustable shelf

- Base Blind Corner Universal (BBCU) cabinets are shipped blind right standard, and may be reversed in field
- Right blind shown
- False drawer front
- Door is hinged from blind panel
- Filler included
- Overlay Panel for Base Blind Corner (OPWBC) **must** be ordered separately
- Factory installed Roll-out Trays (ROT) are **not** available

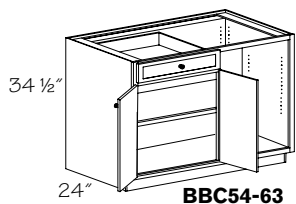
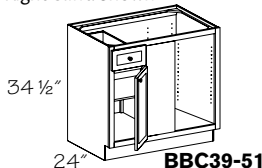


Consider using the Full Height Door (FHK) option on Base Blind Corner Cabinets to increase storage height of the top shelf

- PE
- APC
- APFC
- FPEB
- MI
- DE
- AD_E
- CW
- RD
- CH
- TWR
- WR
- XS
- GD
- RTK
- RTKP
- VTK

Base Blind Corner

Right Blind Shown



- BBC39 R or L**
- BBC42 R or L**
- BBC45 R or L**
- BBC48 R or L**
- BBC51 R or L**
- BBC54 R or L**
- BBC57 R or L**
- BBC60 R or L**
- BBC63 R or L**

- Specify R or L; R or L indicates blind
- Blind panel (stile) is 8" wide
- Blind opening is covered with an unfinished panel
- Door is hinged from blind panel
- Filler included
- Overlay Panel for Base Blind Corner (OPWBC) **must** be ordered separately
- One adjustable shelf
- Factory installed Roll-out Trays (ROT) are **not** available

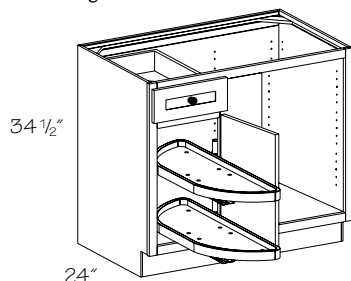


Consider using the Full Height Door (FHK) option on Base Blind Corner Cabinets to increase storage height of the top shelf

- PE
- APC
- APFC
- FPEB
- MI
- DE
- AD_E
- CW
- RD
- CH
- TWR
- WR
- XS
- GD
- RTK
- RTKP
- VTK

Base Blind Corner w/Wood Lazy Susan

Right Blind Shown



- BBC42 R or L.WLS**
- BBC45 R or L.WLS**
- BBC48 R or L.WLS**

- Specify R or L; R or L indicates blind
- Blind panel (stile) is 8" wide
- Blind opening is covered with an unfinished panel
- Door is hinged from blind panel
- Filler included
- Overlay Panel for Base Blind Corner (OPWBC) **must** be ordered separately
- Two half-circle shelves, rotate and slide out individually
- Rotating shelves have plywood floor and solid wood trim
- All Wood Lazy Susan also available as field installed kit; see Base Accessories section

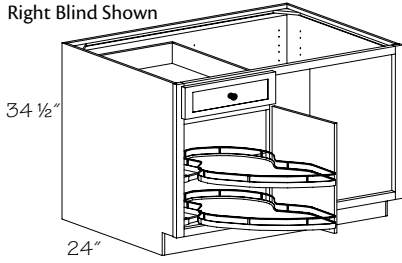


Consider using the Full Height Door (FHK) option on Base Blind Corner Cabinets to increase storage height of the top shelf

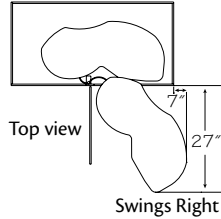
- PE
- APC
- APFC
- FPEB
- MI
- DE
- AD_E
- CW
- RD
- CH
- TWR
- WR
- XS
- GD
- RTK
- RTKP
- VTK

Base Blind Corner w/Chrome Swing-out

Right Blind Shown



BBC48 R or L.CSW



- Specify R or L; R or L indicates blind
- Blind panel (stile) is 8" wide
- Blind opening is covered with an unfinished panel
- Door is hinged from blind panel
- Filler included
- Overlay Panel for Base Blind Corner (OPWBC) **must** be ordered separately
- One standard drawer
- Two full swing shelves rotate individually
- Shelf height is adjustable
- Shelf is non-stick coated Maple melamine with chrome gallery rails
- **Note:** Swing-out will **not** fully open if a wall, another cabinet, appliance or any other obstruction deeper than 24" is next to swing-out side end panel

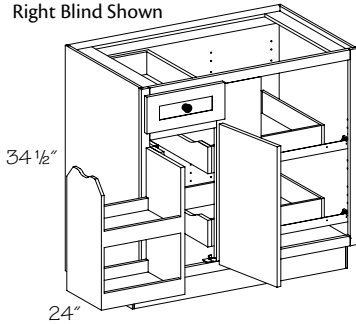
- PE
- APC
- APFC
- FPFB
- MI
- DE
- AD_E
- CW
- RD
- CH
- TWR
- WR
- XS
- GD
- RTK
- RTKP
- VTK



Consider using the Full Height Door (FHK) option on Base Blind Corner Cabinets to increase storage height of the top shelf

Base Blind Corner w/Wood Swing-out

Right Blind Shown



BBC42 R or L.PSO
BBC45 R or L.PSO
BBC48 R or L.PSO

- Specify R or L; R or L indicates blind
- Blind panel (stile) is 8" wide
- Blind opening is covered with an unfinished panel
- Door is hinged from blind panel
- Filler included
- Overlay Panel for Base Blind Corner (OPWBC) **must** be ordered separately
- One standard drawer
- Two Deluxe Roll-out Trays (DXROT)
- Solid wood swing-out caddy
- **Note:** Swing-out will **not** fully open if a wall, another cabinet, appliance or any other obstruction deeper than 24" is next to swing-out side end panel

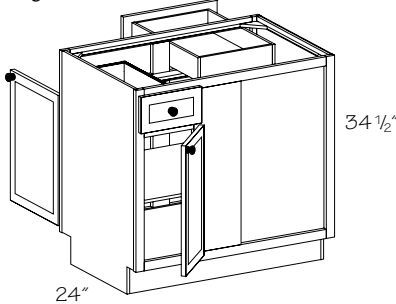
- PE
- APC
- APFC
- FPFB
- MI
- DE
- AD_E
- CW
- RD
- CH
- TWR
- WR
- XS
- GD
- RTK
- RTKP
- VTK



Consider using the Full Height Door (FHK) option on Base Blind Corner Cabinets to increase storage height of the top shelf

Peninsula Base Blind Corner

Right Blind Shown



**** PBBC36 R or L**
PBBC39 R or L
PBBC42 R or L
PBBC45 R or L
PBBC48 R or L

- * Full-height, kitchen side only. Vega doors will have a solid recessed flat panel
- * Glass doors **not** available on kitchen side

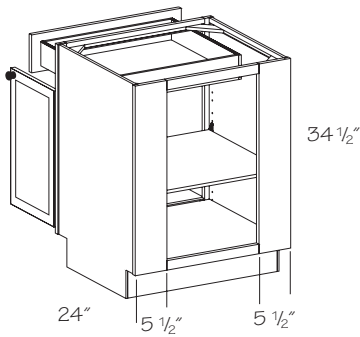
- Specify R or L; R or L indicates blind
- Blind panel (stile) is 8" wide
- Blind opening is covered with an unfinished panel
- Kitchen door is hinged from blind panel
- Overlay Panel for Base Blind Corner (OPWBC) **must** be ordered separately
- Single door and working drawer on kitchen side; double doors single drawer and matching false drawer front on peninsula side
- One adjustable shelf
- Factory installed Roll-out Trays (ROT) are **not** available
- **Note:** Two 3" base fillers included. Blind Corner Overlay **must** be ordered separately; see Base Accessories section

- PE
- APC
- APFC
- FPFB
- MI
- DE
- AD_E
- CW
- RD
- CH
- TWR
- WR
- XS
- ☆ GD
- RTK
- ◆ RTKP
- VTK

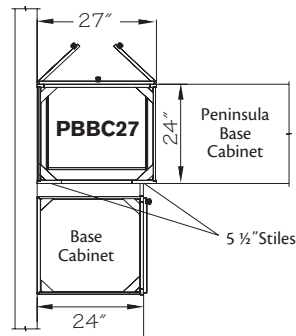


Consider using the Full Height Door (FHK), Full Height Peninsula (FHP) or Full Height Both (FHB) option on Peninsula Base Blind Corner Cabinets to increase storage height of the top shelf

Peninsula Base Blind Corner-27" Wide



PBBC27



Consider using the Full Height Peninsula (FHP) on Peninsula Base Blind Corner 27" Cabinets to increase storage height of the top shelf

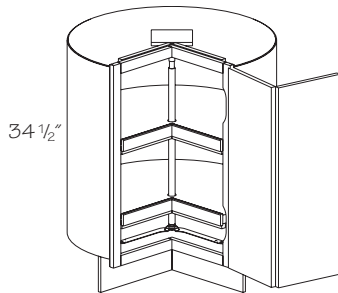
- One adjustable shelf
- Two 5 1/2" stiles on blind side allow cabinet to be used as right or left
- Double doors and single drawer
- Reversible
- For use as a starter cabinet for peninsula
- Designed to fit flush against wall, cabinet may be pulled approximately 2 1/4". Full overlay door styles require a pull of at least 1" from wall to allow decorative hardware clearance
- Filler included
- Overlay Panel for Base Blind Corner (OPWBC) **must** be ordered separately
- Working drawer and doors open to same side



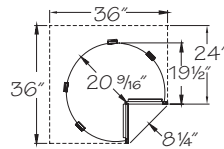
Remember, when using a 27" wide Peninsula Base Blind Corner cabinet (PBBC27), it is highly recommended to use peninsula cabinets on the adjacent run due to depth continuity. If regular base cabinets are used, the run will **not** be flush once the matching panel is applied.

●	PE
●	APC
●	APFC
●	FPEB
●	MI
●	DE
●	AD_E
●	CW
●	RD
●	CH
●	TWR
●	WR
●	XS
●	GD
●	RTK
❖	RTKP
●	VTK

Wood Lazy Susan



LS36 R or L.WLS

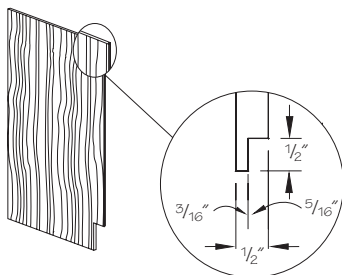


All dimensions are to outside of frame

- Specify R or L for single door hinging
- Rotating shelves have plywood floor and solid wood trim
- Requires 36" of wall space
- Face frame is scooped for hinge installation on full overlay door styles
- Doors are profiled on one long and two short edges and are connected with hinges
- Contrasting Back Options (CBEB, CPLB, CVGR) **not** available
- ☆ Back (barrel) will **not** be plywood when APC is chosen

●	PE
☆	APC
●	APFC
●	FPEB
●	MI
●	DE
●	AD_E
●	CW
●	RD
●	CH
●	TWR
●	WR
●	XS
●	GD
●	RTK
●	RTKP
●	VTK

Lazy Susan End Panel



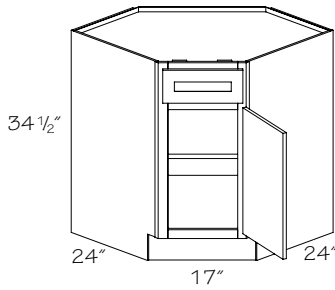
LSEP .R or L

- Specify R or L
- Notched to fit behind stile of Lazy Susan front frame
- Requires 3/16" of wall space
- Crafted or Quartersawn door styles will be supplied in plain sawn wood
- Painted hardwood supplied for EverCore™
- Exterior finished to match, interior is Natural Birch printed wood grain laminate

●	PE
●	APC
●	APFC
●	FPEB
●	MI
●	DE
●	AD_E
●	CW
●	RD
●	CH
●	TWR
●	WR
●	XS
●	GD
●	RTK
●	RTKP
●	VTK

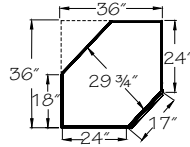
Base Angle

- PE
- APC
- APFC
- FPFB
- MI
- DE
- AD_E
- CW
- RD
- CH
- TWR
- WR
- XS
- GD
- RTK
- RTKP
- VTK



Specify R or L
BA36 R or L

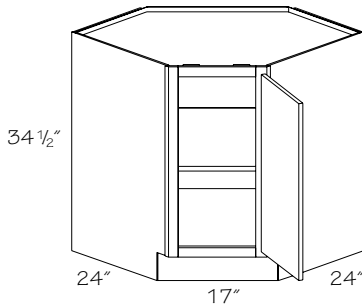
- Specify R or L for single door hinging
- One fixed shelf
- False drawer front
- Angled back provides clearance for installation
- 30 1/2" door clearance recommended for delivery
- Back Options (BEB and VGRB) **not** available
- Contrasting Back Options (CBEB, CPLB, CVGR) **not** available
- **Note:** Full overlay door styles use a 1/2" overlay hinge



All dimensions are to outside of frame

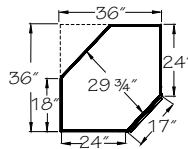
Base Angle Full-Height Door

- PE
- APC
- APFC
- FPFB
- MI
- DE
- AD_E
- CW
- RD
- CH
- TWR
- WR
- XS
- GD
- RTK
- RTKP
- VTK



BA36 R or L.FH

- Specify R or L for single door hinging
- One fixed shelf
- Angled back provides clearance for installation
- 30 1/2" door clearance recommended for delivery
- Back Options (BEB and VGRB) **not** available
- Contrasting Back Options (CBEB, CPLB, CVGR) **not** available
- **Note:** Full overlay door styles use a 1/2" overlay hinge



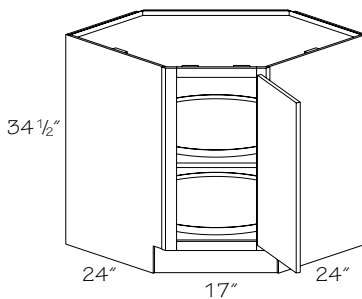
All dimensions are to outside of frame



Full overlay doors on cabinets with an angled front are intentionally narrower to allow proper clearance of adjacent cabinets.

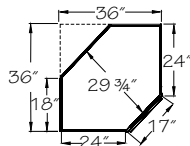
Wood Lazy Susan Angle

- PE
- APC
- APFC
- FPFB
- MI
- DE
- AD_E
- CW
- RD
- CH
- TWR
- WR
- XS
- GD
- RTK
- RTKP
- VTK



LSA36 R or L.WLS

- Specify R or L for single door hinging
- Two 28" diameter rotating shelves
- Rotating shelves have plywood floor and solid wood trim
- Angled back provides clearance for installation
- 30 1/2" door clearance recommended for delivery
- Back Options (BEB and VGRB) **not** available
- Contrasting Back Options (CBEB, CPLB, CVGR) **not** available
- **Note:** Full overlay door styles use a 1/2" overlay hinge

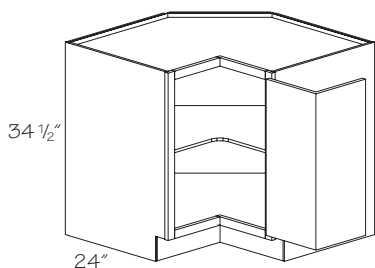


All dimensions are to outside of frame

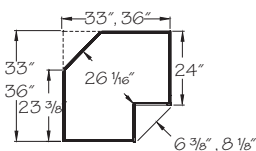


Do **not** design a corner cabinet adjacent to an object deeper than the end panel. The door of the corner cabinet may **not** function properly.

Easy Reach



- ☆ ◆ ■ **EZR33 R or L**
- + **EZR36 R or L**
- ☆ Glass door option **not** available
- ◆ Vega doors will have a solid, recessed flat panel. Caparo doors will have a veneer, recessed flat panel
- Wood-Grain Foil door styles will be supplied as vertical grain slabs
- + **Not** available with Aluminum Frame Glass doors



All dimensions are to outside of frame

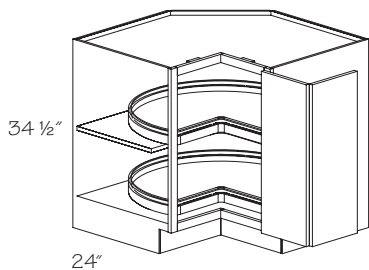
- Specify R or L for single door hinging
- One fixed shelf
- Frame opening, from left to right edge is 10 1/2" for EZR33 and 14 3/4" for EZR36
- Face frame is scooped for hinge installation on full overlay door styles
- Doors are profiled on one long and two short edges and are connected with hinges
- Angled back provides clearance for installation
- 29" door clearance recommended for delivery
- Back Options (BEB and VGRB) **not** available
- Contrasting Back Options (CBEB, CPLB) **not** available
- **Note:** Does **not** include Soft-Close feature



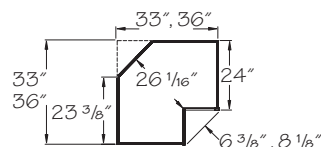
Do **not** put an appliance next to an Easy Reach (EZR) cabinet without providing proper clearance for the door to operate. Also, the cabinet door should be hinged opposite the appliance.

●	PE
●	APC
●	APFC
●	FPEB
●	MI
	DE
●	AD_E
	CW
	RD
●	CH
	TWR
●	WR
●	XS
☆	GD
●	RTK
	RTKP
●	VTK

Easy Reach w/Chrome Super Susan



- 28" diameter pie-cut shelves
- ☆ ◆ ■ **EZR33 R or L.CSS**
- 32" diameter pie-cut shelves
- + **EZR36 R or L.CSS**
- ☆ Glass door option **not** available
- ◆ Vega doors will have a solid, recessed flat panel. Caparo doors will have a veneer, recessed flat panel
- Wood-Grain Foil door styles will be supplied as vertical grain slabs
- + **Not** available with Aluminum Frame Glass doors



All dimensions are to outside of frame

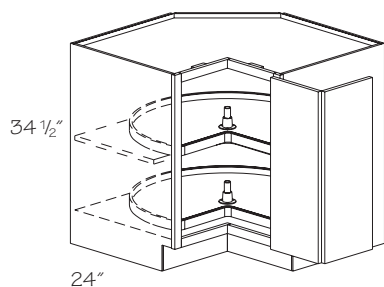
- Specify R or L for single door hinging
- Two pie-cut shelves rotate individually
- Rotating shelf has chrome rail
- Frame opening from left to right edge: 10 1/2" for EZR33 and 14 3/4" for EZR36
- Face frame is scooped for hinge installation on full overlay door styles
- Doors are profiled on one long and two short edges and are connected with hinges
- Angled back provides clearance for installation
- Back Options (BEB and VGRB) **not** available
- Contrasting Back Options (CBEB, CPLB) **not** available
- 29" door clearance recommended for delivery
- **Note:** Does **not** include Soft-Close feature



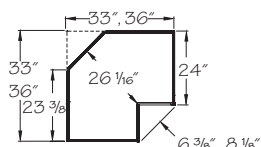
Do **not** put an appliance next to an Easy Reach (EZR) cabinet without providing proper clearance for the door to operate. Also, the cabinet door should be hinged opposite the appliance.

●	PE
●	APC
●	APFC
●	FPEB
●	MI
	DE
●	AD_E
	CW
	RD
●	CH
	TWR
●	WR
●	XS
☆	GD
●	RTK
	RTKP
●	VTK

Easy Reach Wood Super Susan



- 28" diameter pie-cut shelves
- ☆ ◆ ■ **EZR33 R or L.WSS**
- 32" diameter pie-cut shelves
- + **EZR36 R or L.WSS**
- ★ Glass door option **not** available
- ◆ Vega doors will have a solid, recessed flat panel. Caparo doors will have a veneer, recessed flat panel
- Wood-Grain Foil door styles will be supplied as vertical grain slabs
- + **Not** available with Aluminum Frame Glass doors



All dimensions are to outside of frame

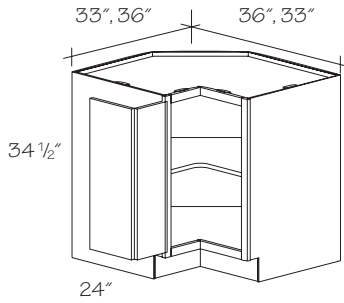
- Specify R or L for single door hinging
- Two pie-cut shelves rotate individually
- Rotating shelves have plywood floor and solid wood trim
- Frame opening, from left to right edge is 10 1/2" for EZR33 and 14 3/4" for EZR36
- Face frame is scooped for hinge installation on full overlay door styles
- Doors are profiled on one long and two short edges and are connected with hinges
- Angled back provides clearance for installation
- 29" door clearance recommended for delivery
- Back Options (BEB and VGRB) **not** available
- Contrasting Back Options (CBEB, CPLB) **not** available
- **Note:** Does **not** include Soft-Close feature



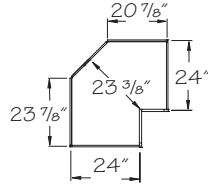
Do **not** put an appliance next to an Easy Reach (EZR) cabinet without providing proper clearance for the door to operate. Also, the cabinet door should be hinged opposite the appliance.

●	PE
●	APC
●	APFC
●	FPEB
●	MI
	DE
●	AD_E
	CW
	RD
●	CH
	TWR
●	WR
●	XS
☆	GD
●	RTK
	RTKP
●	VTK

Asymmetrical Easy Reach



EZR3633 R or L
EZR3336 R or L



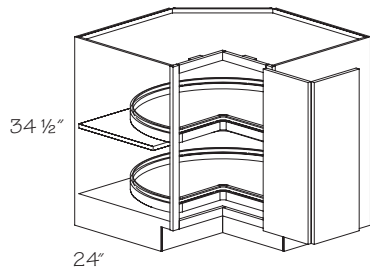
Do **not** put an appliance next to an Easy Reach (EZR) cabinet without providing proper clearance for the door to operate.

Also, the cabinet door should be hinged opposite the appliance.

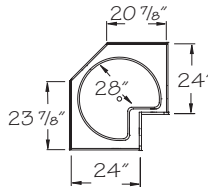
- Specify R or L for single door hinging
- One fixed shelf
- Frame opening from left to right edge is 12 7/8"
- Face frame is scooped for hinge installation on full overlay door styles
- Doors are profiled on one long and two short edges and are connected with hinges
- Angled back provides clearance for installation
- 29" door clearance recommended for delivery
- Vega doors will have a solid, recessed flat panel. Caparo doors will have a veneer, recessed flat panel
- Back Options (BEB and VGRB) **not** available
- Contrasting Back Options (CBEB, CPLB) **not** available
- Ladon and Hincley Wood-Grain Foil door styles will be supplied as vertical grain slabs
- Carlin Wood-Grain Foil door style will be supplied as 5 piece design
- **Note:** Does **not** include Soft-Close feature

● PE
● APC
● APFC
● FPFB
● MI
● DE
● AD_E
● CW
● RD
● CH
● TWR
● WR
● XS
● GD
● RTK
● RTKP
● VTK

Asymmetrical Easy Reach w/Chrome Super Susan



EZR3336 R or L.CSS
EZR3633 R or L.CSS



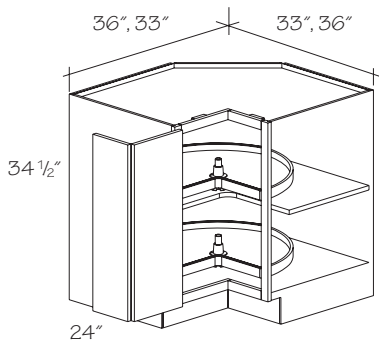
Do **not** put an appliance next to an Easy Reach (EZR) cabinet without providing proper clearance for the door to operate.

Also, the cabinet door should be hinged opposite the appliance.

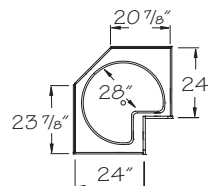
- Specify R or L for single door hinging
- Two 28" diameter pie-cut shelves rotate individually
- Rotating shelf has chrome rail
- Frame opening, from left to right edge is 17 5/8"
- Face frame is scooped for hinge installation on full overlay door styles
- Doors are profiled on one long and two short edges and are connected with hinges
- Angled back provides clearance for installation
- Vega doors will have a solid, recessed flat panel. Caparo doors will have a veneer, recessed flat panel
- Back Options (BEB and VGRB) **not** available
- Contrasting Back Options (CBEB, CPLB) **not** available
- Ladon and Hincley Wood-Grain Foil door styles will be supplied as vertical grain slabs
- Carlin Wood-Grain Foil door style will be supplied as 5 piece design
- 29" door clearance recommended for delivery
- **Note:** Does **not** include Soft-Close feature

● PE
● APC
● APFC
● FPFB
● MI
● DE
● AD_E
● CW
● RD
● CH
● TWR
● WR
● XS
● GD
● RTK
● RTKP
● VTK

Asymmetrical Easy Reach Wood Super Susan



EZR3633 R or L.WSS
EZR3336 R or L.WSS



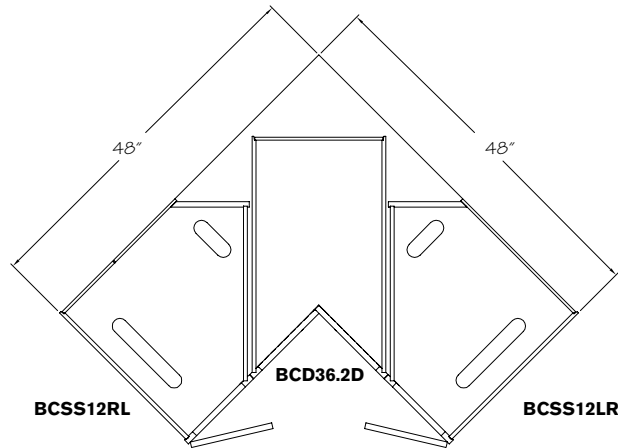
Do **not** put an appliance next to an Easy Reach (EZR) cabinet without providing proper clearance for the door to operate.

Also, the cabinet door should be hinged opposite the appliance.

- Specify R or L for single door hinging
- Two pie-cut 28" diameter rotating shelves
- Rotating shelves have plywood floor and solid wood trim
- Frame opening from left to right edge is 12 7/8"
- Face frame is scooped for hinge installation on full overlay door styles
- Doors are profiled on one long and two short edges and are connected with hinges
- Angled back provides clearance for installation
- 29" door clearance recommended for delivery
- Vega doors will have a solid, recessed flat panel. Caparo doors will have a veneer, recessed flat panel
- Back Options (BEB and VGRB) **not** available
- Contrasting Back Options (CBEB, CPLB) **not** available
- Ladon and Hincley Wood-Grain Foil door styles will be supplied as vertical grain slabs
- Carlin Wood-Grain Foil door style will be supplied as 5 piece design
- Order Example as shown: EZR3633 L-WLS
- **Note:** Does **not** include Soft-Close feature

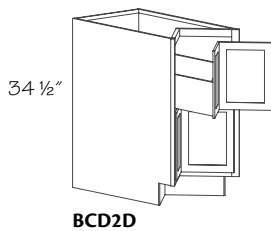
● PE
● APC
● APFC
● FPFB
● MI
● DE
● AD_E
● CW
● RD
● CH
● TWR
● WR
● XS
● GD
● RTK
● RTKP
● VTK

Base Corner Drawer Cabinet and Base Corner Smart Space Companion View



Base Corner Smart Space (BCSS) cabinets can also be used as an alternate corner solution when used with a Base Filler 3x3 (BF3X3) in place of a Base Corner Drawer (BCD) cabinet

Base Corner Drawer Cabinet



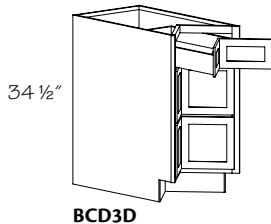
BCD2D

Two Drawer

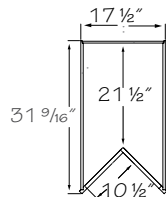
BCD36 .2D

Three Drawer

BCD36 .3D



BCD3D



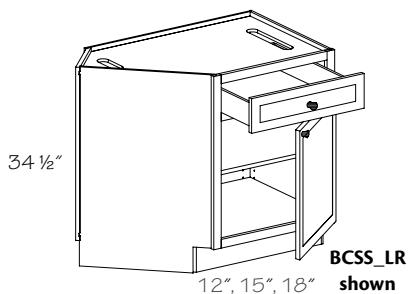
- 90 degree frame
- Drawer is the same as a B12
- **Not** available with any drawer box accessories
- Requires 36" of wall space



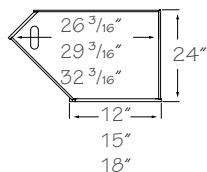
Be sure to use a filler next to the Base Corner Drawer Cabinet (BCD) if an adjacent unit is deeper than 24". The filler width **must** equal the distance a unit will extend beyond the Base Corner Drawer Cabinet (BCD) to ensure proper drawer clearance. For example: The Base Corner Drawer Cabinet (BCD) will require a 2" filler if a 26" deep range is placed next to it.

●	PE
●	APC
	APFC
	FPEB
	MI
	DE
	AD_E
	CW
	RD
	CH
	TWR
●	WR
●	XS
	GD
	RTK
	RTKP
●	VTK

Base Corner Smart Space Cabinet



BCSS_LR
12", 15", 18"
shown



Specify RR or RL Right

- BCSS12 RR or RL**
- BCSS15 RR or RL**
- BCSS18 RR or RL**

Specify LR or LL Left

- BCSS12 LR or LL**
- BCSS15 LR or LL**
- BCSS18 LR or LL**

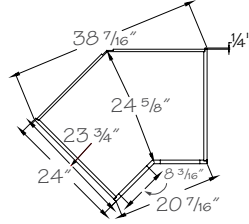
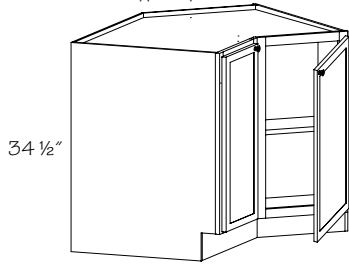
- Extended Stile (XS) available on the left side only
- Extended Stile (XS) available on the right side only

- Roll-out Trays (ROT) are **not** available
- Right cabinets: Place on the left side of a Base Corner Drawer cabinet (See Base Corner Drawer Cabinet and Base Corner Smart Space Companion View)
- Left cabinets: Place on the right side of a Base Corner Drawer cabinet (See Base Corner Drawer Cabinet and Base Corner Smart Space Companion View)
- ☆ Furniture Ends will be supplied on the non-angled end panels only

●	PE
●	APC
☆	APFC
☆	FPEB
●	MI
●	DE
●	AD_E
	CW
	RD
	CH
●	TWR
●	WR
☆	XS
●	GD
●	RTK
	RTKP
●	VTK

135° Base Inside Angle Corner Cabinet

BIA21

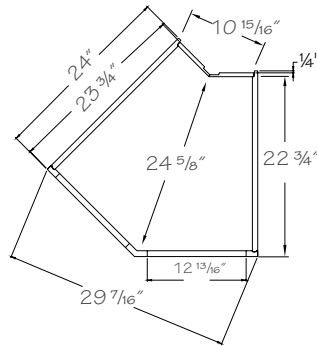
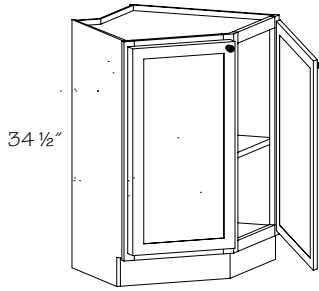


- Backs of cabinets are slightly recessed to allow for wall imperfections, shimming is required
- One adjustable shelf

●	PE
●	APC
●	APFC
●	FPEB
●	MI
	DE
	AD_E
	CW
	RD
●	CH
	TWR
●	WR
●	XS
	GD
●	RTK
	RTKP
●	VTK

135° Base Outside Angle Corner Cabinet

BOAC6



- Backs of cabinets are slightly recessed to allow for wall imperfections, shimming is required
- One adjustable shelf

●	PE
●	APC
●	APFC
●	FPEB
●	MI
	DE
	AD_E
	CW
	RD
●	CH
	TWR
●	WR
●	XS
●	GD
●	RTK
	RTKP
●	VTK

Peninsula Base Corner Cabinets

Construction Options and Modifications

PEZR	36	R	L
code	width	kitchen side hinging	rear frame position

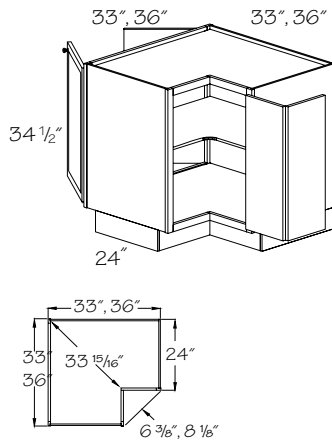
- ❖ Included as standard
- Available with an upcharge
- ☆ Available with exceptions
- (Blank) **Not** available

- PE Plywood Ends
- APC All Plywood Construction
- APFC All Plywood Furniture Construction
- FPEB Furniture Plywood Ends
- MI Matching Interior
- AD_E Attached Decorative End
- CW Change Width
- RD Reduced Depth
- CH Change Height
- IF Inverted Frame
- TWR Top Wide Rail
- WR Wide Bottom Rail
- XS Extended Stile
- GD Glass Doors
- RTK Recessed Toe Kick
- RTKP Recessed Toe Kick Peninsula
- VTK Void Toe Kick

Material dimensions listed may vary slightly from actual dimensions of the product.

Specifications subject to change without notice.

Peninsula Easy Reach



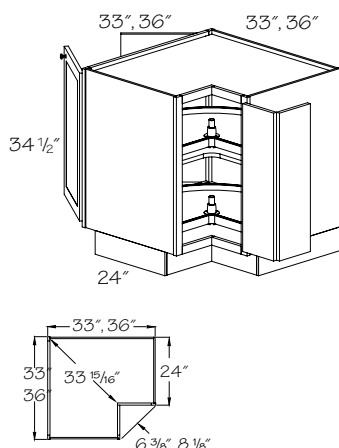
All dimensions are to outside of frame

- ★◆ PEZR33 RR or L
- ★◆ PEZR33 LR or L
- ※ PEZR36 RR or L
- ※ PEZR36 LR or L
- ★ Glass doors **not** available on kitchen side
- ◆ Vega doors will have a solid, recessed flat panel on kitchen side. Caparo doors will have a veneer, recessed flat panel on kitchen side
- Wood-Grain Foil door styles will be supplied as vertical grain slabs
- ※ **Not** available with Aluminum Frame glass doors on kitchen side

- Specify R or L
- The first R or L designates kitchen side door hinging
- The second R or L designates rear (peninsula) frame position
- One fixed shelf
- Frame opening, from left to right edge is 10 1/2" for EZR33 and 14 3/4" for EZR36
- Doors are profiled on one long and two short edges and are connected with hinges
- Butt doors on peninsula side
- Toe kick is detachable
- 31" door clearance recommended for delivery
- **Note:** Kitchen side does **not** include Soft-Close feature. Peninsula side doors feature Soft-Close hinge

- PE
- APC
- APFC
- FPEB
- MI
- AD_E
- CW
- RD
- CH
- IF
- TWR
- WR
- XS
- ☆ GD
- RTK
- RTKP
- VTK

Peninsula Easy Reach Wood Super Susan



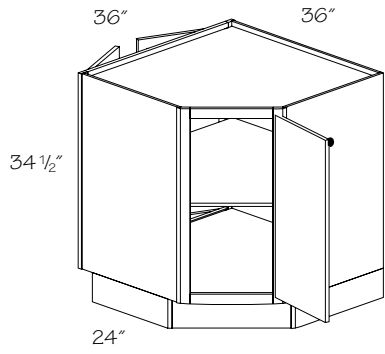
All dimensions are to outside of frame

- ★◆ PEZR33 RR or L.WSS
- ★◆ PEZR33 LR or L.WSS
- ※ PEZR36 RR or L.WSS
- ※ PEZR36 LR or L.WSS
- ★ Glass doors **not** available on kitchen side
- ◆ Vega doors will have a solid, recessed flat panel on kitchen side. Caparo doors will have a veneer, recessed flat panel on kitchen side
- Wood-Grain Foil door styles will be supplied as vertical grain slabs
- ※ **Not** available with Aluminum Frame glass doors on kitchen side

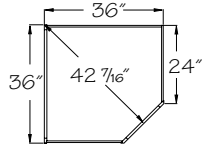
- Specify R or L
- The first R or L designates kitchen side door hinging
- The second R or L designates rear (peninsula) frame position
- Two pie-cut shelves rotate individually
- EZR33 has 28" diameter shelves; EZR36 has 32" diameter shelves
- Rotating shelves are attached to cabinet floor and fixed shelf
- Lazy Susan **cannot** be turned from peninsula side with kitchen side doors in closed position
- Frame opening, from left to right edge is 10 1/2" for EZR33 and 14 3/4" for EZR36
- Doors are profiled on one long and two short edges and are connected with hinges
- Butt doors on peninsula side
- 31" door clearance recommended for delivery
- Toe kick is detachable
- **Note:** Kitchen side does **not** include Soft-Close feature. Peninsula side doors feature Soft-Close hinge

- PE
- APC
- APFC
- FPEB
- MI
- AD_E
- CW
- RD
- CH
- IF
- TWR
- WR
- XS
- ☆ GD
- RTK
- ◆ RTKP
- VTK

Peninsula Base Angle Cabinet



PBA36 RR or L
PBA36 LR or L



- Specify R or L
- The first R or L designates kitchen side door hinging
- The second R or L designates rear (peninsula) frame position
- One fixed shelf
- Full-height doors
- Toe kick is detachable
- 31" door clearance recommended for delivery
- **Note:** Full overlay door styles: Kitchen side (front) doors use a 1/2" overlay hinge. Peninsula side (back) doors use a full overlay hinge

●	PE
●	APC
●	APFC
●	FPEB
●	MI
●	AD_E
	CW
	RD
●	CH
	IF
	TWR
	WR
	XS
●	GD
	RTK
❖	RTKP
	VTK

Base End Run Cabinets

Construction Options and Modifications

SBEOS	12	24
code	width	depth

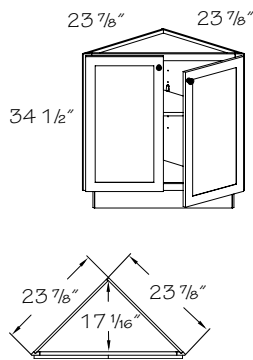
- ❖ Included as standard
- Available with an upcharge
- ☆ Available with exceptions
- (Blank) **Not** available

- PE Plywood Ends
- APC All Plywood Construction
- APFC All Plywood Furniture Construction
- FPEB Furniture Plywood Ends
- MI Matching Interior
- DE Integrated Decorative End
- AD_E Attached Decorative End
- CW Change Width
- RD Reduced Depth
- CH Change Height
- WR Wide Bottom Rail
- GD Glass Doors
- RTK Recessed Toe Kick
- RTKP Recessed Toe Kick Peninsula
- VTK Void Toe Kick

Material dimensions listed may vary slightly from actual dimensions of the product.

Specifications subject to change without notice.

Base Corner Angle

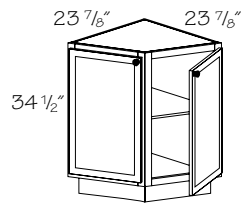


BCA24 BUTT

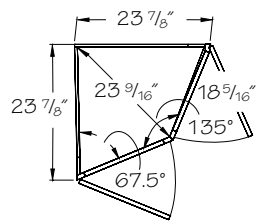
- One adjustable shelf
- Can be installed on either right or left end
- Contrasting Back Options (CBEB, CPLB, CVGR) **not** available

- PE
- APC
- APFC
- FPEB
- MI
- DE
- AD_E
- CW
- RD
- CH
- WR
- GD
- RTK
- RTKP
- VTK

Base End Corner



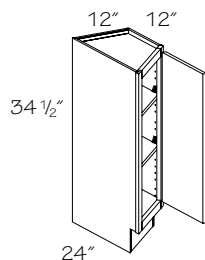
BEC24



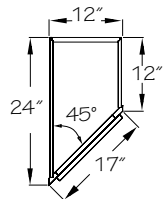
- One adjustable shelf
- Can be installed on either right or left end
- Contrasting Back Options (CBEB, CPLB, CVGR) **not** available

- PE
- APC
- APFC
- FPEB
- MI
- DE
- AD_E
- CW
- RD
- CH
- WR
- GD
- RTK
- RTKP
- VTK

Base End Angle



BEA12 R or L

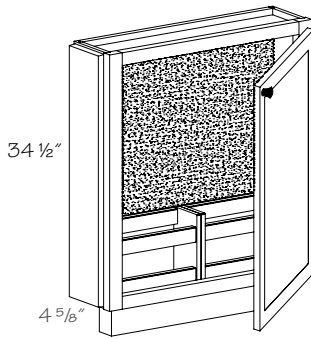


- Specify R or L for single door hinging
- Right shown
- Two adjustable shelves
- Full-height door
- One optional tray divider available in center location only
- ☆ Recessed Toe Kick (RTK) available hinge side only
- ☆ Minimum Reduced Depth (RD) is 18"
- ☆ Wide Rail Plain only (WR)
- ☆ Integrated Decorative End (DE) available on 12" deep side only
- **Note:** Full overlay door styles use a 1/2" overlay hinge

- PE
- APC
- APFC
- FPEB
- MI
- ☆ DE
- AD_E
- CW
- ☆ RD
- CH
- ☆ WR
- GD
- ☆ RTK
- RTKP
- VTK

Base Message Center

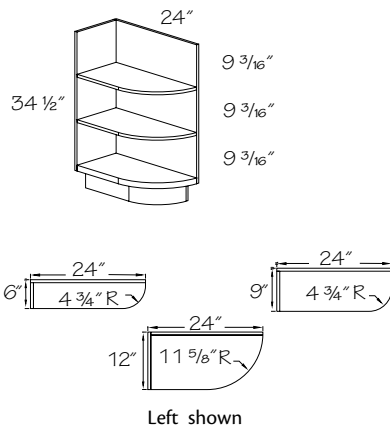
MCB24 R or L



- Specify R or L for single door hinging
- For use at the end of a cabinet run
- Includes cork board and two magazine racks
- Filler Overlay (FO) supplied, ships separately, field install

PE
APC
◆ APFC
FPEB
MI
DE
AD_E
CW
RD
CH
● WR
● GD
◆ RTK
RTKP
● VTK

Solid Wood Base End Open Shelf 24" Deep

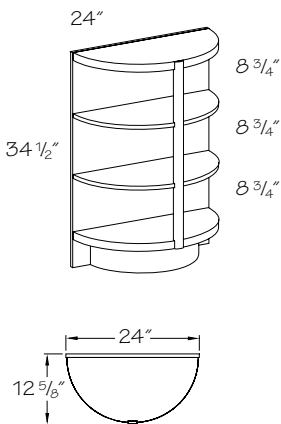


SBEOS624 R or L
SBEOS924 R or L
SBEOS1224 R or L

- Specify R or L
- Three fixed shelves
- 1 3/16" thick bottom shelf
- Solid wood construction on shelves only
- 5/8" wood veneer on sides and back
- Back Options (BEB and VGRB) **not** available
- Contrasting Back Options (CBEB, CPLB, CVGR) **not** available
- Plain sawn material supplied for Bristow Crafted door styles
- Quartersawn door styles are supplied plain sawn
- **Not** available in High-Gloss Foil or Wood-Grain Foil door styles
- ☆ Shelves remain solid when APC option is chosen; sides and back will be 11/16" matching wood veneer plywood
- ☆ Reduced Depth (RD) available in 3" increments to a minimum of 12"
- Order Example: SBEOS 1224R-RD reduce depth to 18"

PE
☆ APC
APFC
FPEB
◆ MI
DE
AD_E
CW
☆ RD
CH
WR
GD
RTK
RTKP
● VTK

Solid Wood Peninsula Base End Open Shelf 12" Deep



SPBEOS1224

- 11 5/8" radius
- 5/8" wood veneer on back panel
- 1 3/16" thick top and bottom shelves; for Curved Moldings see Molding section
- Three fixed shelves
- Solid wood construction on shelves only
- Back may be notched in field for continuous toe kick applications
- Contrasting Back Options (CBEB, CPLB, CVGR) **not** available
- Plain sawn material supplied for Bristow Crafted door styles
- Quartersawn door styles are supplied plain sawn
- **Not** available in High-Gloss Foil or Wood-Grain Foil door styles
- ☆ Shelves remain solid when APC option is chosen; back will be 11/16" matching wood veneer plywood

PE
☆ APC
APFC
FPEB
◆ MI
DE
AD_E
CW
RD
CH
WR
GD
RTK
RTKP
● VTK

Base Island

Construction Options and Modifications

IECDO	38	14	• CLS
code	width	depth	leg style

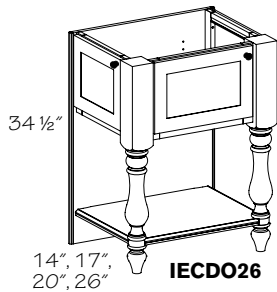
- ❖ Included as standard
- Available with an upcharge
- ☆ Available with exceptions
- (Blank) **Not** available

- PE Plywood Ends
- APC All Plywood Construction
- APFC All Plywood Furniture Construction
- MI Matching Interior
- DE Integrated Decorative End
- CW Change Width
- CH Change Height
- IF Inverted Frame
- TWR Top Wide Rail
- GD Glass Doors
- RTK Recessed Toe Kick
- VTK Void Toe Kick

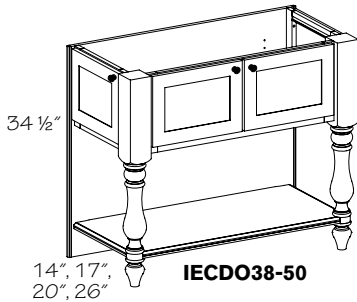
Material dimensions listed may vary slightly from actual dimensions of the product.

Specifications subject to change without notice.

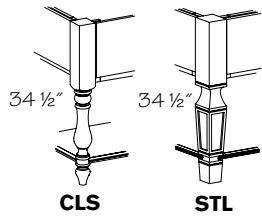
Island End Cap with Doors



IECDO26

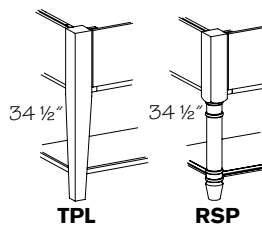


IECDO38-50



CLS

STL



TPL

RSP

Classic Leg

- IECDO2614 R or L.CLS**
- IECDO3814 .CLS**
- IECDO4114 .CLS**
- IECDO4414 .CLS**
- IECDO5014 .CLS**
- IECDO2617 R or L.CLS**
- IECDO3817 .CLS**
- IECDO4117 .CLS**
- IECDO4417 .CLS**
- IECDO5017 .CLS**
- IECDO2620 R or L.CLS**
- IECDO3820 .CLS**
- IECDO4120 .CLS**
- IECDO4420 .CLS**
- IECDO5020 .CLS**
- IECDO2626 R or L.CLS**
- IECDO3826 .CLS**
- IECDO4126 .CLS**
- IECDO4426 .CLS**
- IECDO5026 .CLS**

Roman Spindle

- IECDO2614 R or L.RSP**
- IECDO3814 .RSP**
- IECDO4114 .RSP**
- IECDO4414 .RSP**
- IECDO5014 .RSP**
- IECDO2617 R or L.RSP**
- IECDO3817 .RSP**
- IECDO4117 .RSP**
- IECDO4417 .RSP**
- IECDO5017 .RSP**
- IECDO2620 R or L.RSP**
- IECDO3820 .RSP**
- IECDO4120 .RSP**
- IECDO4420 .RSP**
- IECDO5020 .RSP**
- IECDO2626 R or L.RSP**
- IECDO3826 .RSP**
- IECDO4126 .RSP**
- IECDO4426 .RSP**
- IECDO5026 .RSP**

Sterling Leg

- IECDO2614 R or L.STL**
- IECDO3814 .STL**
- IECDO4114 .STL**
- IECDO4414 .STL**
- IECDO5014 .STL**
- IECDO2617 R or L.STL**
- IECDO3817 .STL**
- IECDO4117 .STL**
- IECDO4417 .STL**
- IECDO5017 .STL**
- IECDO2620 R or L.STL**
- IECDO3820 .STL**
- IECDO4120 .STL**
- IECDO4420 .STL**
- IECDO5020 .STL**
- IECDO2626 R or L.STL**
- IECDO3826 .STL**
- IECDO4126 .STL**
- IECDO4426 .STL**
- IECDO5026 .STL**

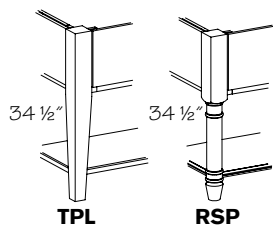
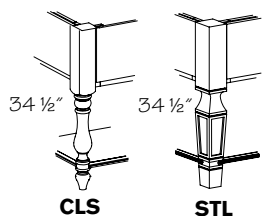
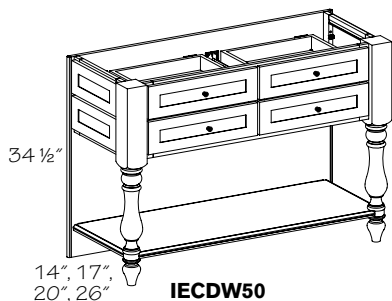
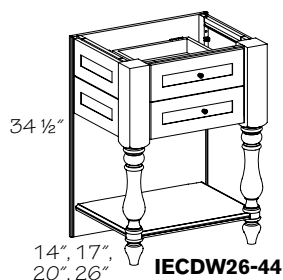
Tapered Leg

- IECDO2614 R or L.TPL**
- IECDO3814 .TPL**
- IECDO4114 .TPL**
- IECDO4414 .TPL**
- IECDO5014 .TPL**
- IECDO2617 R or L.TPL**
- IECDO3817 .TPL**
- IECDO4117 .TPL**
- IECDO4417 .TPL**
- IECDO5017 .TPL**
- IECDO2620 R or L.TPL**
- IECDO3820 .TPL**
- IECDO4120 .TPL**
- IECDO4420 .TPL**
- IECDO5020 .TPL**
- IECDO2626 R or L.TPL**
- IECDO3826 .TPL**
- IECDO4126 .TPL**
- IECDO4426 .TPL**
- IECDO5026 .TPL**

- Specify R or L for single door hinging
- Available in Rustic Alder, Cherry, EverCore™, Thermofoil, Maple, Wood-Grain Foil and full overlay door styles only
- Thermofoils are painted hardwood
- Painted hardwood supplied for Wood-Grain Foil door styles; only available in white
- Side doors are fully operational
- Backs of Island End Caps are finished both sides
- Contrasting Back Options (CBEB, CPLB, CVGR) **not** available
- Open area height from top of bottom shelf to cabinet frame is 16"
- **Note:** Cabinet back panel designed to sit 3/4" proud of doors or drawer fronts

PE
APC
❖ APFC
❖ MI
DE
CW
CH
IF
TWR
GD
RTK
VTK

Island End Cap with Drawers



Classic Leg

IECDW2614 .CLS
IECDW3814 .CLS
IECDW4114 .CLS
IECDW4414 .CLS
IECDW5014 .CLS
IECDW2617 .CLS
IECDW3817 .CLS
IECDW4117 .CLS
IECDW4417 .CLS
IECDW5017 .CLS
IECDW2620 .CLS
IECDW3820 .CLS
IECDW4120 .CLS
IECDW4420 .CLS
IECDW5020 .CLS
IECDW2626 .CLS
IECDW3826 .CLS
IECDW4126 .CLS
IECDW4426 .CLS
IECDW5026 .CLS

Roman Spindle

IECDW2614 .RSP
IECDW3814 .RSP
IECDW4114 .RSP
IECDW4414 .RSP
IECDW5014 .RSP
IECDW2617 .RSP
IECDW3817 .RSP
IECDW4117 .RSP
IECDW4417 .RSP
IECDW5017 .RSP
IECDW2620 .RSP
IECDW3820 .RSP
IECDW4120 .RSP
IECDW4420 .RSP
IECDW5020 .RSP
IECDW2626 .RSP
IECDW3826 .RSP
IECDW4126 .RSP
IECDW4426 .RSP
IECDW5026 .RSP

Sterling Leg

IECDW2614 .STL
IECDW3814 .STL
IECDW4114 .STL
IECDW4414 .STL
IECDW5014 .STL
IECDW2617 .STL
IECDW3817 .STL
IECDW4117 .STL
IECDW4417 .STL
IECDW5017 .STL
IECDW2620 .STL
IECDW3820 .STL
IECDW4120 .STL
IECDW4420 .STL
IECDW5020 .STL
IECDW2626 .STL
IECDW3826 .STL
IECDW4126 .STL
IECDW4426 .STL
IECDW5026 .STL

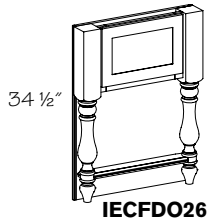
Tapered Leg

IECDW2614 .TPL
IECDW3814 .TPL
IECDW4114 .TPL
IECDW4414 .TPL
IECDW5014 .TPL
IECDW2617 .TPL
IECDW3817 .TPL
IECDW4117 .TPL
IECDW4417 .TPL
IECDW5017 .TPL
IECDW2620 .TPL
IECDW3820 .TPL
IECDW4120 .TPL
IECDW4420 .TPL
IECDW5020 .TPL
IECDW2626 .TPL
IECDW3826 .TPL
IECDW4126 .TPL
IECDW4426 .TPL
IECDW5026 .TPL

- Available in Rustic Alder Cherry, EverCore™, Thermofoil, Maple and Wood-Grain Foil door styles only
- Thermofoils are painted hardwood
- Painted hardwood supplied for Wood-Grain Foil door styles; only available in white
- Contrasting Back Options (CBEB, CPLB, CVGR) *not* available
- Backs of Island End Caps are finished both sides
- Open area height from top of bottom shelf to cabinet frame is 16"
- **Note:** Cabinet back panel designed to sit 3/4" proud of doors or drawer fronts

PE
APC
❖ APFC
❖ MI
DE
CW
CH
IF
TWR
GD
RTK
VTK

Island End Cap Open with False Doors



IECFDO26

Classic Leg

IECFDO2604 .CLS
IECFDO3804 .CLS
IECFDO4104 .CLS
IECFDO4404 .CLS
IECFDO5004 .CLS

Roman Spindle Post

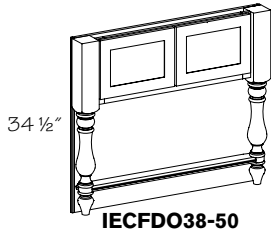
IECFDO2604 .RSP
IECFDO3804 .RSP
IECFDO4104 .RSP
IECFDO4404 .RSP
IECFDO5004 .RSP

Sterling Leg

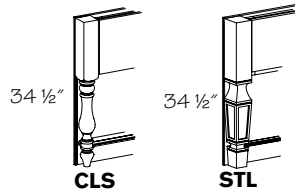
IECFDO2604 .STL
IECFDO3804 .STL
IECFDO4104 .STL
IECFDO4404 .STL
IECFDO5004 .STL

Tapered Leg

IECFDO2604 .TPL
IECFDO3804 .TPL
IECFDO4104 .TPL
IECFDO4404 .TPL
IECFDO5004 .TPL

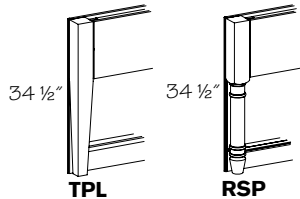


IECFDO38-50



CLS

STL



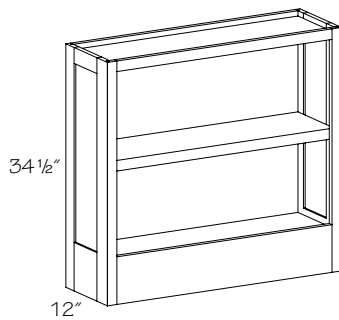
TPL

RSP

- Available in Rustic Alder Cherry, EverCore™, Thermofoil, Maple and Wood-Grain Foil door styles only
- Thermofoils are painted hardwood
- Painted hardwood supplied for Wood-Grain Foil door styles; only available in white
- Backs of Island End Caps are finished both sides
- Contrasting Back Options (CBEB, CPLB, CVGR) **not** available
- Open area height from top of bottom shelf to cabinet frame is 16"
- **Note:** Cabinet back panel designed to sit 3/4" proud of legs

PE
APC
❖ APFC
❖ MI
DE
CW
CH
IF
TWR
GD
RTK
VTK

Island End - Bookcase

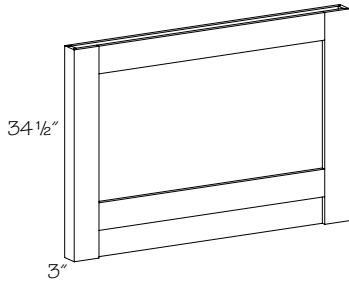


IEB261234
IEB381234
IEB501234

- Available in full overlay door styles and the following 1/2" overlay door styles: Fox Court, Ganon, Martel, Fairlane and Townley. All other 1/2" overlay door styles are **not** available
- **Not** available in Thermofoil door styles
- **Not** available in Wood-Grain Foil door styles
- **Not** available in slab door styles
- Painted hardwood supplied for EverCore™
- Single fixed shelf
- End panel will match selected door style on the order

PE
❖ APC
APFC
❖ MI
DE
CW
CH
IF
TWR
GD
RTK
VTK

Island End - Gateway

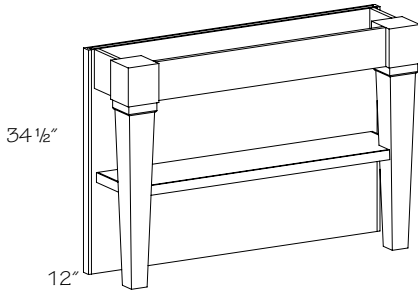


IEG260334
IEG380334
IEG500334

- Thermofoils are painted hardwood
- Painted or Stained hardwood supplied for Wood-Grain Foil door styles

PE
❖ APC
APFC
MI
DE
CW
CH
IF
TWR
GD
RTK
VTK

Island End - Tapered leg

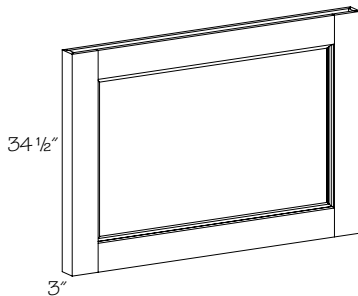


IETL261234
IETL381234
IETL501234

- Thermofoils are painted hardwood
- Painted or Stained hardwood supplied for Wood-Grain Foil door styles
- Single fixed shelf

PE
❖ APC
APFC
❖ MI
DE
CW
CH
IF
TWR
GD
RTK
VTK

Island End - Transitional



IET260334
IET380334
IET500334

- Thermofoils are painted hardwood
- Painted or Stained hardwood supplied for Wood-Grain Foil door styles

PE
❖ APC
APFC
MI
DE
CW
CH
IF
TWR
GD
RTK
VTK

Base Specialty Cabinets

Construction Options and Modifications

- ❖ Included as standard
- Available with an upcharge
- ☆ Available with exceptions
- (Blank) **Not** available

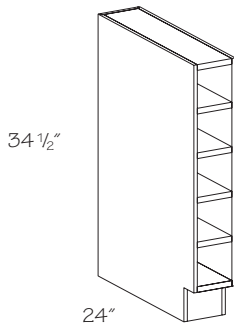
BTP	9
code	width

Material dimensions listed may vary slightly from actual dimensions of the product.

Specifications subject to change without notice.

- PE Plywood Ends
- APC All Plywood Construction
- APFC All Plywood Furniture Construction
- FPEB Furniture Plywood Ends
- MI Matching Interior
- DE Integrated Decorative End
- AD_E Attached Decorative End
- CW Change Width
- RD Reduced Depth
- CH Change Height
- IF Inverted Frame
- TWR Top Wide Rail
- WR Wide Bottom Rail
- XS Extended Stile
- GD Glass Doors
- RTK Recessed Toe Kick
- RTKP Recessed Toe Kick Peninsula
- VTK Void Toe Kick
- TKD Toe Kick Drawer

Base Wine Rack

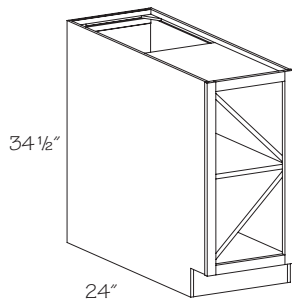


BWR6

- Wood veneer construction with 1/2" end panels; **not** available in plywood
- Four fixed shelves
- Bottle stop pin placed at 12" (removable)
- Contrasting Back Options (CBEB, CPLB, CVGR) **not** available
- Crafted or Quartersawn door styles will be supplied in plain sawn wood
- Painted hardwood supplied for EverCore™
- Vinyl edge banding applied to edges of cabinet
- Recommended installation is between two cabinets
- ☆ Minimum Reduced Depth (RD) is 12" for Thermofoil door styles; 6" for wood door styles
- ☆ Only available with Recessed Toe Kick Peninsula Back (RTKP); **cannot** accommodate Recessed Toe Kick for sides (RTKPB, RTKPL, RTKPR)
- **Note:** This cabinet features "frameless" type construction

PE	IF
APC	TWR
APFC	WR
FPEB	XS
❖ MI	GD
DE	RTK
AD_E	☆ RTKP
CW	● VTK
☆ RD	TKD
CH	

Base - Offset Diagonal Wine Storage Cabinet

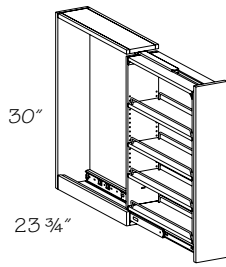


BODWC15
BODWC18
BODWC21

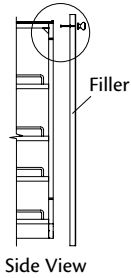
- 11/16" (17.5 mm) thick shelves
- Shelves fixed into position and are **not** adjustable
- When Reduced Depth (RD) is selected, wine storage section will always be 12" deep. The cabinet when ordered from 24" deep to 13" deep will always have a back panel in the wine storage section that is up against the wine storage dividers

PE	IF
❖ APC	TWR
● APFC	● WR
FPEB	● XS
❖ MI	GD
DE	● RTK
AD_E	RTKP
CW	● VTK
● RD	TKD
CH	

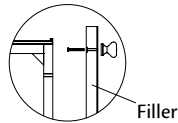
Base Filler Pull-out



- BFP3** 1 3/4" shelf width
- BFP6** 4 3/4" shelf width



Install decorative hardware prior to attaching filler to pull-out unit



- Three adjustable shelves
- Unit slides on full extension side-mount runners
- Recommended installation is between two cabinets
- Installation may also be made between a cabinet and a wall or a cabinet and an end panel with stile
- Filler is included, but unattached. Unit should be installed before removing shipping brace and attaching filler
- A filler overlay is recommended for full overlay door styles; **must** be ordered separately
- Crafted or Quartersawn door styles will be supplied in plain sawn wood
- Painted hardwood supplied for EverCore™
- No toe kick

PE	IF
APC	TWR
APFC	WR
FPEB	XS
MI	GD
DE	RTK
AD_E	RTKP
CW	VTK
RD	TKD
CH	

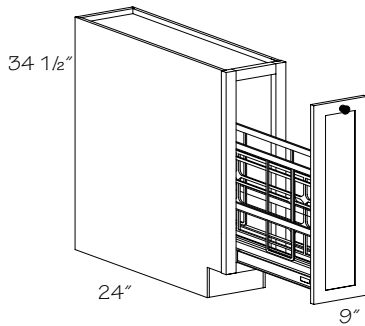


Do **not** use filler pullouts (WFP, BFP, BSPP) at the end of cabinet runs or next to appliances. They **must** be installed between two cabinets or a cabinet and an end panel.



Consider using a Replacement Drawer Front (RDW3006) on a Base Filler Pullout (BFP) as an overlay for 1/2" door styles.

Base Tray Pull-out



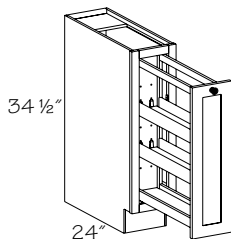
- ※◆■ **BTP9**
- BTP12**

- ※ Vega doors will have a solid, recessed flat panel
- ◆ Recessed Toe Kick Both Sides (RTKB) **not** available
- Recessed Toe Kick Peninsula Both Sides (RTKPB) **not** available

- Unit slides on full extension under-mount Soft-Close runners
- Center tray divider can be removed
- Chrome rack with T-Bar included to subdivide sections for customized compartments

● PE	IF
● APC	TWR
● APFC	● WR
● FPEB	● XS
● MI	GD
● DE	☆ RTK
● AD_E	☆ RTKP
CW	● VTK
RD	TKD
CH	

Base Pantry Pull-out



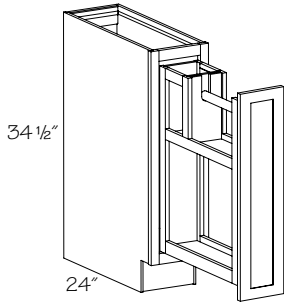
- ※◆■ **BPP9** 4 1/2" shelf width
- BPP12** 7 1/2" shelf width

- ※ Vega doors will have a solid, recessed flat panel
- ◆ Recessed Toe Kick Both Sides (RTKB) **not** available
- Recessed Toe Kick Peninsula Both Sides (RTKPB) **not** available

- Two adjustable shelves
- One fixed wood shelf attached to the bottom of a full-height door
- Unit slides on full extension under-mount Soft-Close runners

● PE	IF
● APC	TWR
● APFC	● WR
● FPEB	● XS
● MI	GD
● DE	☆ RTK
● AD_E	☆ RTKP
CW	● VTK
RD	TKD
CH	

Base Cleaning Storage Cabinet

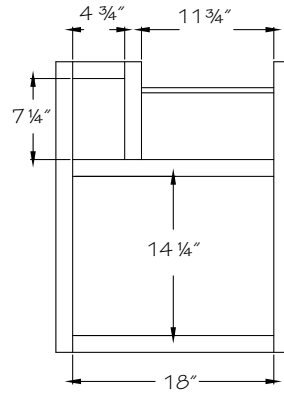


※†◆■ BCS9 BCS12

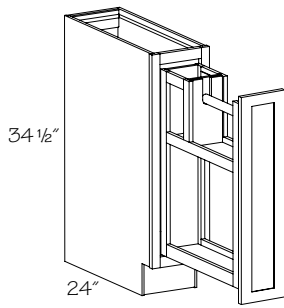
- ※ Recessed Toe Kick Both Sides (RTKB) *not* available
- † Toe Kick Drawer (TKD) option *not* available
- ◆ Recessed Toe Kick Peninsula Both Sides (RTKPB) *not* available
- ★ Available in full overlay door styles only
- Frame rails are 15/16" wide

- Paper towel holder
- Upper and lower storage space
- Unit slides on full extension under-mount Soft-Close runners

● PE	IF
● APC	TWR
● APFC	● WR
● FPFB	● XS
MI	GD
● DE	☆ RTK
● AD_E	☆ RTKP
CW	● VTK
RD	☆ TKD
CH	

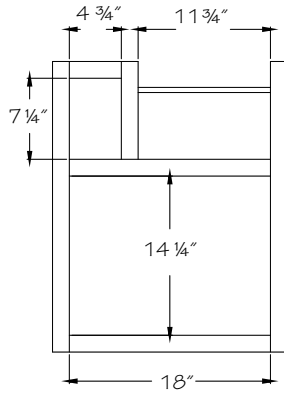


Base Cleaning Storage Cabinet - w/Auto-Open Feature



※◆†■ **BCS9 .AO**
BCS12 .AO

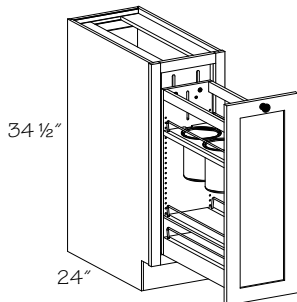
- ※ Recessed Toe Kick Both Sides (RTKB) *not* available
- ◆ Recessed Toe Kick Peninsula Both Sides (RTKPB) *not* available
- † Toe Kick Drawer (TKD) option *not* available
- ★ Available in full overlay door styles only
- Frame rails are 15/16" wide



- Paper towel holder
- Upper and lower storage space
- Unit slides on full extension under-mount Soft-Close runners
- Pressing door front will activate Auto-open; closes like a standard drawer with Soft-Close
- Auto-open Kit (AO) requires 110V power source at back of cabinet
- Permaset bumpers are *not* included on doors ordered with the Auto-open Kit (AO)
- Auto-open Kit (AO) feature offers programmable stop
- **Note:** Auto-open Kit (AO) requires field installation

● PE	IF
● APC	TWR
● APFC	● WR
● FPFB	● XS
MI	GD
● DE	☆ RTK
● AD_E	☆ RTKP
● CW	● VTK
RD	☆ TKD
CH	

Base Utensil Pull-Out



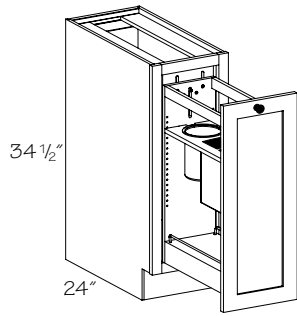
◆■† **BUP9** 5" canisters
BUP12 5 1/2" canisters

- ◆ Recessed Toe Kick Both Sides (RTKB) *not* available
- Recessed Toe Kick Peninsula Both Sides (RTKPB) *not* available
- † Toe Kick Drawer (TKD) option *not* available

- One adjustable shelf with three metal storage canisters and one adjustable plain shelf with chrome galley rails. Canister depth is 5 3/4" for BUP9; 6 3/4" for BUP12
- 9" cabinet measures 5" wide with 4 1/2" clearance between the metal rails. Contains a secondary adjustable shelf
- 12" cabinet measures 8" wide with 7/12" clearance between the metals rails. Does *not* contain a secondary adjustable shelf
- Unit slides on full extension under-mount Soft-Close runners

● PE	IF
● APC	TWR
● APFC	● WR
● FPFB	● XS
● MI	GD
● DE	☆ RTK
● AD_E	☆ RTKP
● CW	● VTK
RD	☆ TKD
CH	

Base Pantry Pull-out Utensil Storage

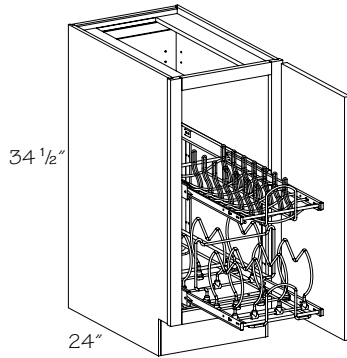


BPPUS12 7 1/2" shelf width

- One adjustable shelf with two universal knife inserts measuring 4 3/4" x 4 3/4" x 9" deep, and one steel utensil bin
- Unit slides on full extension under-mount Soft-Close runners

● PE	IF
● APC	TWR
● APFC	● WR
● FPEB	● XS
● MI	GD
● DE	● RTK
● AD_E	● RTKP
CW	● VTK
RD	TKD
CH	

Tiered Pan and Lid Storage Pull-out

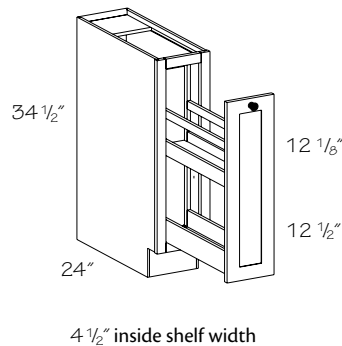


B15 R or L.FH.TPLS

- Specify R or L for single door hinging
- Chrome wire roll-out unit
- Pull-out unit is 11 5/8" wide
- Bottom portion of pull-out has movable dividers and is adjustable to accommodate different pan sizes
- Unit slides on full extension side-mount runners

● PE	IF
● APC	● TWR
● APFC	● WR
● FPEB	● XS
● MI	GD
● DE	● RTK
● AD_E	● RTKP
CW	● VTK
RD	● TKD
CH	

Base Liter Bottle

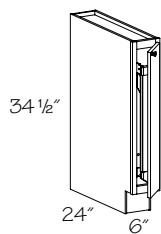


BLB9

- Designed to hold ten 2-liter bottles; capacity may vary depending on bottle dimension
- Two fixed wood shelves attached to a full-height door
- Unit slides on heavy duty full extension runners with integrated buffer
- Vega doors will have a solid, recessed flat panel
- ☆ Recessed Toe Kick Both Sides (RTKB) **not** available
- ☆ Recessed Toe Kick Peninsula Both Sides (RTKPB) **not** available
- **Note:** 3-liter bottles will **not** fit

● PE	IF
● APC	TWR
● APFC	● WR
● FPEB	● XS
● MI	GD
● DE	☆ RTK
● AD_E	☆ RTKP
CW	● VTK
RD	TKD
CH	

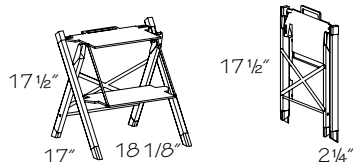
Base Step Stool Cabinet



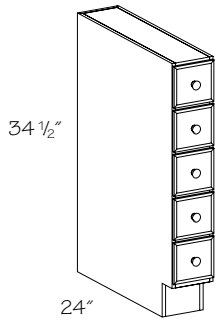
BSS6 R or L

- Specify R or L for single door hinging
- Available in full overlay only
- Frame rails are 15/16" wide
- Replacement Hinge: PHB6FO.SC
- Ladder Weight Capacity 250 pounds
- Wide Rail Plain only (WR)
- ☆ Recessed Toe Kick Both Sides (RTKB) **not** available
- ☆ Recessed Toe Kick Peninsula Both Sides (RTKPB) **not** available
- Door defaults to a slab design with an outside profile matching the selected door style
- ☆ **Cannot** be reduced less than 34 1/2" and max height is 42"

● PE	IF
● APC	TWR
● APFC	☆ WR
FPEB	● XS
● MI	GD
DE	☆ RTK
AD_E	☆ RTKP
CW	● VTK
RD	TKD
☆ CH	



Base Spice Drawer Cabinet

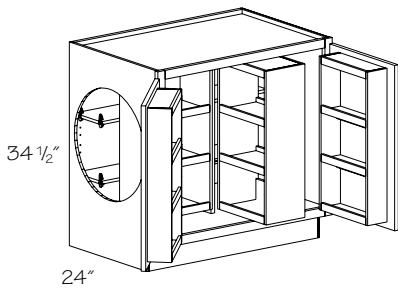


BSDC6

- Wood veneer construction with 1/2" end panels; **not** available in plywood
- Drawer boxes have 1/2" sides and 3/4" floor, front and back
- Interior drawer depth 22" from front to back
- Solid wood 1/2" thick slab drawer fronts with a radius edge. Outside profile will **not** match the selected door style
- Drawer front is adjustable
- All drawer boxes are Natural Birch wood veneer plywood
- Drawer box slides along wood guide. Wood guide is used to keep drawers from moving left to right
- Matching wood knobs included, **not** installed
- Vinyl edge banding applied to edges of cabinet
- Recommended installation is between two cabinets
- Replacement knobs available—use the following order codes: 161 for Maple; 171 for Cherry; 181 for Oak and Hickory; 191 for Alder; 634 for Thermofoils. See Decorative Hardware section for description
- Quartersawn door styles are supplied plain sawn
- **Not** available in High-Gloss Foil or Wood-Grain Foil door styles
- ☆ Only available with Recessed Toe Kick Peninsula Back (RTKP); **cannot** accommodate Recessed Toe Kick for sides (RTKPB, RTKPL, RTKPR)
- **Note:** This cabinet features "frameless" type construction

PE	IF
APC	TWR
APFC	WR
FPEB	XS
✦ MI	GD
DE	RTK
AD_E	☆ RTKP
CW	● VTK
RD	TKD
CH	

Base Multi-Storage Pantry

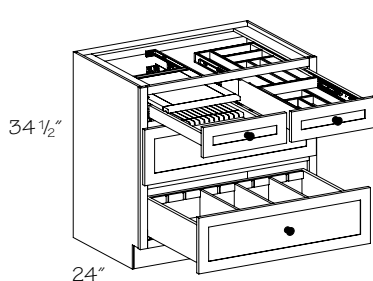


BMSP36

- Adjustable 7 1/8" deep shelves
- Swing-out shelves operate within a 90° door opening
- Two 4" deep door storage racks with three fixed shelves
- Two 8" deep double sided swing-out storage racks with three fixed shelves
- Contrasting Back Options (CBEB, CPLB, CVGR) **not** available

● PE	IF
● APC	TWR
● APFC	● WR
● FPEB	● XS
● MI	GD
DE	● RTK
● AD_E	● RTKP
CW	● VTK
RD	● TKD
CH	

Base Cooking Center

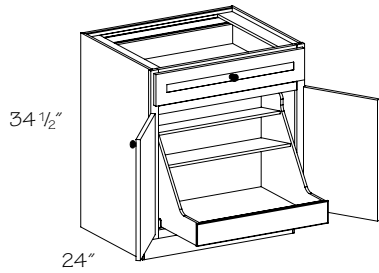


BCC36 # knife slots 12

- Knife Section Cutting Center (KSCC18) in top left drawer
- Wood Tiered Drawer Storage (WTCD18) in top right drawer
- Two 7" deep drawers with Adjustable Drawer Dividers (ADD)

● PE	IF
● APC	TWR
● APFC	● WR
● FPEB	● XS
MI	GD
● DE	● RTK
● AD_E	● RTKP
CW	● VTK
RD	● TKD
CH	

Base w/Pots and Pans Organizer

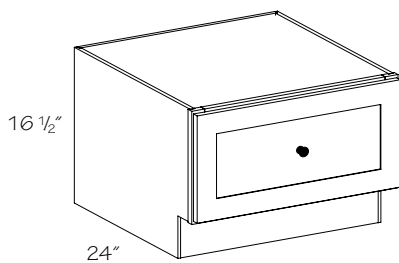


B30 BUTT.BPPSO
B36 BUTT.BPPSO

- 4" high Roll-out Tray with integrated shelf system
- Roll-out sides and back are 3/4" wood veneer plywood; the shelves are 1/2" wood veneer plywood
- Includes full extension soft-close runners

● PE	● IF
● APC	● TWR
● APFC	● WR
● FPEB	● XS
● MI	● GD
● DE	● RTK
● AD_E	● RTKP
● CW	● VTK
● RD	● TKD
● CH	

Pedestal Drawer



PSD18
PSD21
PSD24
PSD27
PSD30
PSD33
PSD36

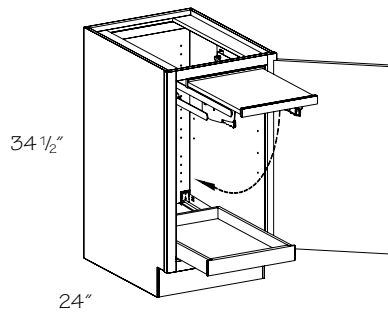
- 24" wide unit will house a single dishwasher drawer when installed between two cabinets
- **Not** intended for washing machines or dryers



This cabinet can be used for bench seating. Add a wood top for a finished look!

● PE	● IF
● APC	● TWR
● APFC	● WR
● FPEB	● XS
● MI	● GD
● DE	● RTK
● AD_E	● RTKP
● CW	● VTK
● RD	● TKD
● CH	

Base Mixer Shelf

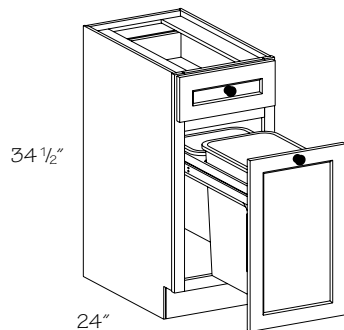


BMS18 R or L
BMS21 R or L
BMS24 R or L
BMS24 BUTT

- Specify R or L for single door hinging
- Full-height door
- One Roll-out Tray (ROT)
- Bottom Rollout Tray includes full extension soft-close runners
- Maximum appliance height is 16"
- Lift mechanism includes a soft-close/cushion feature when lowered back into the cabinet
- Weight capacity is adjustable up to 60 lbs.; unit shipped at 30 lbs. capacity

● PE	● IF
● APC	● TWR
● APFC	● WR
● FPEB	● XS
● MI	● GD
● DE	● RTK
● AD_E	● RTKP
● CW	● VTK
● RD	● TKD
● CH	

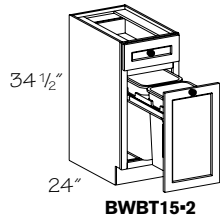
Base Top Mount Wastebasket—Single Sidemount Soft-Close



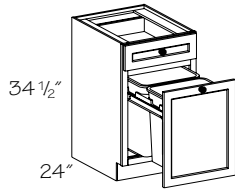
BWBT15 .SC

- 35 qt. capacity white basket(s)
- Basket(s) rest in a Natural Maple plywood frame
- Basket(s) are easily removable for emptying or cleaning
- Frame slides on Soft-Close, full extension glides
- Optional Wastebasket Lid (WBL) available for 35 and 50 qt. wastebaskets
- Optional Wastebasket Drawer Partition (WDP) is available

● PE	● IF
● APC	● TWR
● APFC	● WR
● FPEB	● XS
● MI	● GD
● DE	● RTK
● AD_E	● RTKP
● CW	● VTK
● RD	● TKD
● CH	



BWBT15-2



BWBT18-2
BWBT24-2

Base Top Mount Wastebasket–Double Sidemount Soft-Close

Two 27 qt. capacity white baskets

BWBT15 .2.SC

Two 35 qt. capacity white baskets

BWBT18 .2.SC

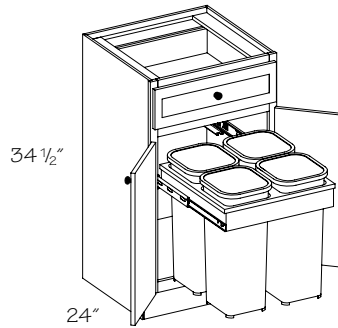
BWBT24 .2.SC

- Basket(s) rest in a Natural Maple plywood frame
- Basket(s) are easily removable for emptying or cleaning
- Frame slides on Soft-Close, full extension glides
- Optional Wastebasket Lid (WBL) available for 35 and 50 qt. wastebaskets
- Optional Wastebasket Drawer Partition (WDP) is available

● PE	● IF
● APC	● TWR
● APFC	● WR
● FPFB	● XS
MI	GD
● DE	● RTK
● AD_E	● RTKP
CW	● VTK
RD	● TKD
CH	

Base Top Mount Wastebasket–Recycling Center Sidemount Soft-Close

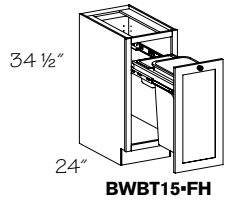
BWBT27 (Butt).4.SC



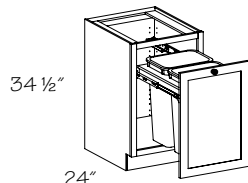
- Four 27 qt. capacity white baskets
- Basket(s) rest in a Natural Maple plywood frame
- Basket(s) are easily removable for emptying or cleaning
- Frame slides on Soft-Close, full extension glides
- Doors are **not** attached to roll-out unit
- Available in full overlay door styles only
- Optional Wastebasket Drawer Partition (WDP) is available

● PE	● IF
● APC	● TWR
● APFC	● WR
● FPFB	● XS
MI	GD
● DE	● RTK
● AD_E	● RTKP
CW	● VTK
RD	● TKD
CH	

Base Top Mount Wastebasket–Full-Height Sidemount Soft-Close



BWBT15-FH



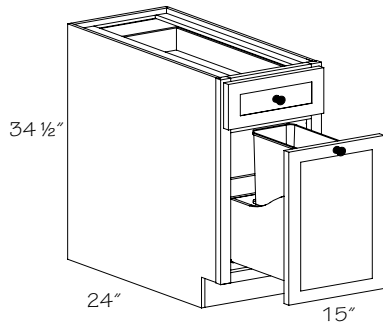
BWBT21-2-FH

BWBT15 .FH.SC
BWBT21 .2.FH.SC

- One or two 50 qt. capacity white baskets
- Basket(s) rest in a Natural Maple plywood frame
- Basket(s) are easily removable for emptying or cleaning
- Frame slides on Soft-Close, full extension glides
- Optional Wastebasket Lid (WBL) available for 35 and 50 qt. wastebaskets

● PE	● IF
● APC	● TWR
● APFC	● WR
● FPFB	● XS
MI	GD
● DE	● RTK
● AD_E	● RTKP
CW	● VTK
RD	● TKD
CH	

Base Bottom Mount Wastebasket–Single w/Auto-open Kit

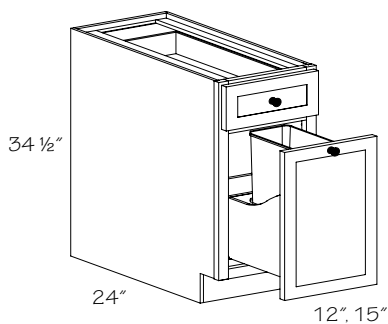


BWBB15 .AO

- 35 qt. capacity grey basket(s)
- Basket(s) rest on dovetailed Maple drawer box
- Basket(s) are easily removable for emptying or cleaning
- Drawer box slides on Soft-Close, full extension glides
- Pressing door front will activate Auto-open; closes like a standard drawer with Soft-Close
- Auto-open Kit (AO) requires 110V power source at back of cabinet
- Auto-open Kit (AO) feature offers programmable stop
- Permaset bumpers are **not** included on doors ordered with the Auto-open Kit (AO)
- Optional Wastebasket Drawer Partition (WDP) is available
- **Note:** Auto-open Kit (AO) requires field installation

● PE	● IF
● APC	● TWR
● APFC	● WR
● FPFB	● XS
MI	GD
● DE	● RTK
● AD_E	● RTKP
CW	● VTK
RD	● TKD
CH	

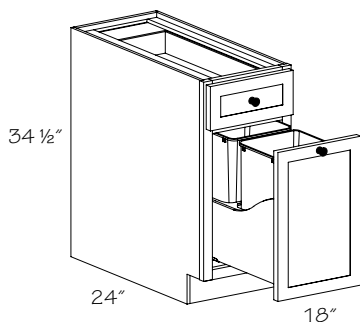
Base Bottom Mount Wastebasket–Single



- ※ **BWBB12** 30 qt. capacity grey wastebasket
 - ※ **BWBB15** 35 qt. capacity grey wastebasket
 - ※ Available in full overlay door styles only
- Basket(s) rest on dovetailed Maple drawer box
 - Basket(s) are easily removable for emptying or cleaning
 - Drawer box slides on Soft-Close, full extension glides
 - Optional Wastebasket Drawer Partition (WDP) is available

● PE	● IF
● APC	● TWR
● APFC	● WR
● FPFB	● XS
MI	GD
● DE	● RTK
● AD_E	● RTKP
CW	● VTK
RD	● TKD
CH	

Base Bottom Mount Wastebasket–Double w/Auto-open Kit

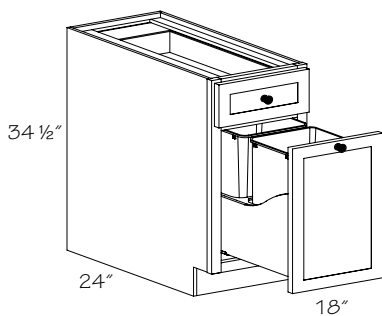


BWBB18 .2.AO

- 35 qt. capacity grey basket(s)
- Basket(s) rest on dovetailed Maple drawer box
- Basket(s) are easily removable for emptying or cleaning
- Drawer box slides on Soft-Close, full extension glides
- Permaset bumpers are **not** included on doors ordered with the Auto-open Kit (AO)
- Pressing door front will activate Auto-open; closes like a standard drawer with Soft-Close
- Auto-open Kit (AO) requires 110V power source at back of cabinet
- One green wastebasket lid is included with cabinet. Lid can only be used with the front wastebasket. Replacement lids available in white and grey only
- Optional Wastebasket Drawer Partition (WDP) is available
- Auto-open Kit (AO) feature offers programmable stop
- **Note:** Auto-open Kit (AO) requires field installation

● PE	● IF
● APC	● TWR
● APFC	● WR
● FPFB	● XS
MI	GD
● DE	● RTK
● AD_E	● RTKP
CW	● VTK
RD	● TKD
CH	

Base Bottom Mount Wastebasket–Double



BWBB18 .2

- 35 qt. capacity grey basket(s)
- Basket(s) rest on dovetailed Maple drawer box
- Basket(s) are easily removable for emptying or cleaning
- Drawer box slides on Soft-Close, full extension glides
- One green wastebasket lid is included with cabinet. Lid can only be used with the front wastebasket. Replacement lids available in white and grey only
- Optional Wastebasket Drawer Partition (WDP) is available

● PE	● IF
● APC	● TWR
● APFC	● WR
● FPFB	● XS
MI	GD
● DE	● RTK
● AD_E	● RTKP
CW	● VTK
RD	● TKD
CH	

Base Accessories

Construction Options and Modifications

PE	Plywood Ends
APC	All Plywood Construction
APFC	All Plywood Furniture Construction
FPEB	Furniture Plywood Ends
MI	Matching Interior
CW	Change Width
RD	Reduced Depth
CH	Change Height
WR	Wide Bottom Rail
RTKP	Recessed Toe Kick Peninsula
VTK	Void Toe Kick

RBFC	3	15
code	width	depth

- ❖ Included as standard
- Available with an upcharge
- ☆ Available with exceptions
- (Blank) **Not** available

Material dimensions listed may vary slightly from actual dimensions of the product.

Specifications subject to change without notice.

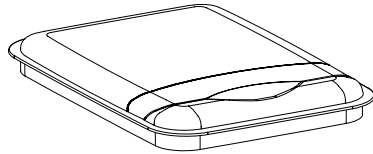
Wastebasket Lid

Fits 35 qt. Wastebaskets

- WBL35.G** Grey
- WBL35.W** White

Fits 50 qt. Wastebaskets

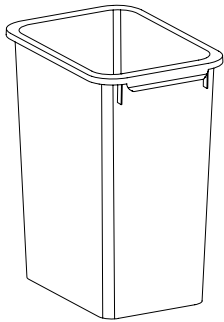
- WBL50.G** Grey
- WBL50.W** White



- Lid flips open manually
- Lid holds can liner in place

PE
APC
APFC
FPEB
MI
CW
RD
CH
WR
RTKP
VTK

Replacement Wastebasket

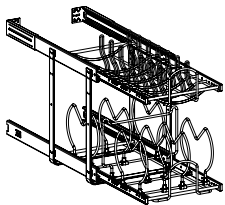


- RWB27** 27 qt. White
- RWB30** 30 qt. White
- RWB35** 35 qt. White
- RWB50** 50 qt. White
- RCWB50** 50 qt. Grey

- Field installation only
- Optional Wastebasket Lid (WBL) available for 35 and 50 qt. wastebaskets

PE
APC
APFC
FPEB
MI
CW
RD
CH
WR
RTKP
VTK

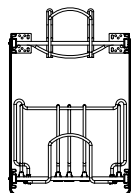
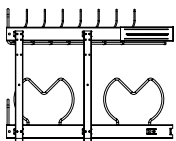
Tiered Pan and Lid Storage Pull-out Kit



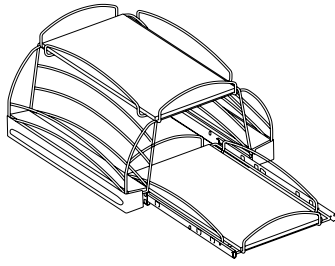
TPLSK15

- Fits into 15" wide 24" deep base full-height cabinets
- Overall unit height is 18"
- Chrome wire roll-out unit
- Pull-out unit is 11 5/8" wide
- Unit slides on full extension side-mount runners
- Bottom portion of pull-out has movable dividers and is adjustable to accommodate different pan sizes

PE
APC
APFC
FPEB
MI
CW
RD
CH
WR
RTKP
VTK



Base Cookware Storage Roll-out Field Installation



BCSRK24

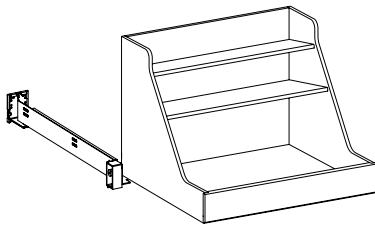
- Fits into 24" wide 24" deep base or base full-height cabinets
- Satin nickel heavy duty wire rack
- Both shelves roll out independently of unit on full extension runners
- Shelf bottoms are Birch veneer
- Top shelf is 11" x 21", bottom shelf is 12" x 21"
- Lower shelf has 9 1/2" clearance
- Side racks are 2 3/8" wide
- Field installation only

PE
APC
APFC
FPEB
MI
CW
RD
CH
WR
RTKP
VTK

Base Cookware Storage Roll-out Field Installation Chart

Cabinet	(Max) #BCSRKs
Base	2
Base•FH	3
Base•FH•40	3
Tall	5
Desk	1
Desk•FH	2
Vanity	2
Vanity•FH	3
VLC 88 1/2" H	3 (Top) 3 (Bottom)

Base Pots and Pans Organizer Roll-out Field Installation



ROT30 .BPPSO ROT36 .BPPSO

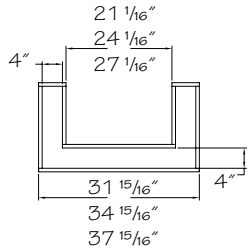
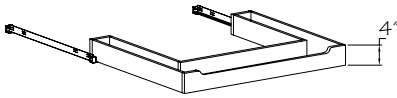
- 4" high Roll-out Tray with integrated shelf system
- Roll-out sides and back are 3/4" wood veneer plywood; the shelves are 1/2" wood veneer plywood
- Includes full extension soft-close runners
- Mounting hardware and runners included
- 24" depth only
- Field installation only

PE
APC
APFC
FPEB
MI
CW
RD
CH
WR
RTKP
VTK

Base Pots and Pans Organizer Field Installation Chart

Cabinet	(Max) #•BPPSOs
Base	1
Base•FH	1
Base•FH•40	1
Tall	1
Desk	N/A
Desk•FH	N/A
Vanity	N/A
Vanity•FH	N/A
VLC 88 1/2" H	N/A

Sink Base U-Shaped Deluxe Roll-out Tray-Field Installation

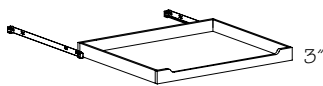


SBUDXR0T36
SBUDXR0T39
SBUDXR0T42

- Roll-out trays are 4" deep, 5/8" solid wood dovetailed sides with 3 1/6" plywood bottom, notched front and full extension runners with soft-close hinges

PE
APC
APFC
FPEB
MI
CW
RD
CH
WR
RTKP
VTK

Replacement Deluxe Rollout Trays for BDDC Cabinet

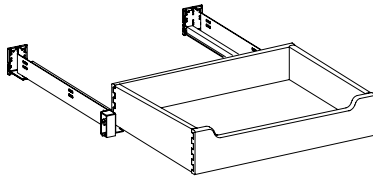


DXROT18.24.3
DXROT24.24.3
DXROT30.24.3
DXROT36.24.3
w/Reduced Depth (RD) option
DXROT18.21.3
DXROT24.21.3
DXROT30.21.3
DXROT36.21.3

- Replacement 3" deluxe rollout tray for BDDC cabinet
- Mounting hardware and runners included

PE
APC
APFC
FPEB
MI
CW
RD
CH
WR
RTKP
VTK

Sink Base Shallow Deluxe Roll-out Tray-Field Installation

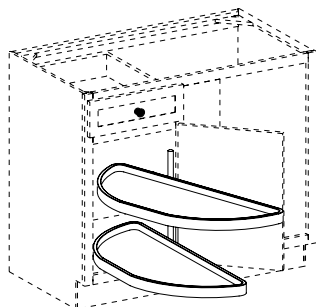


SBDXR0T36 .21
SBDXR0T39 .21
SBDXR0T42 .21

- Tray is nominally 21" deep to allow clearance for plumbing

PE
APC
APFC
FPEB
MI
CW
RD
CH
WR
RTKP
VTK

Base Blind Corner Wood Lazy Susan Kit

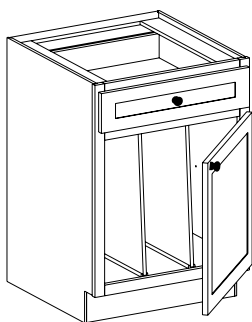


LSK42 R or L.WLS
LSK45 R or L.WLS
LSK48 R or L.WLS

- Specify R or L; R or L indicates blind
- Right blind shown
- Available for 42", 45" and 48" base blind cabinets
- Kit includes two half circle shelves that rotate out individually and mounting hardware
- Rotating shelves have plywood floor and solid wood trim
- Field installation only

PE
APC
APFC
FPEB
MI
CW
RD
CH
WR
RTKP
VTK

Tray Dividers–Base



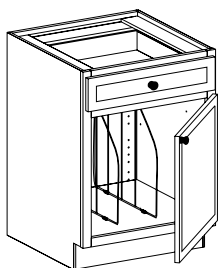
B24R-2TD shown

- 1TD
- 2TD
- 3TD
- 4TD
- 5TD
- 6TD

- 1/2" Natural Birch printed wood grain laminate
- Available factory installed for 24" deep cabinets only
- ☆ Depth **must** be modified after tray divider is selected
- Installed in wood or plastic U-channels
- Shelves are eliminated when this option is selected
- Specify quantity and location
- Order Example: B24R-2TD-RD18 (spaced evenly)
- **Not** available in 40 1/2" high Base cabinets

PE
APC
APFC
FPEB
MI
CW
☆ RD
CH
WR
RTKP
VTK

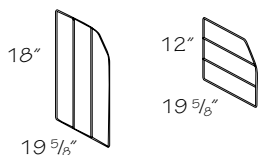
Wire Tray Divider Kit



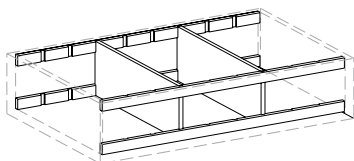
- WTDK12 12" high
- WTDK18 18" high

- Installation clips and screws included
- White epoxy coated wire
- Field installation only

PE
APC
APFC
FPEB
MI
CW
RD
CH
WR
RTKP
VTK



Adjustable Drawer Dividers



- ※ 1ADD
- 2ADD

Single Replacement Dividers Only

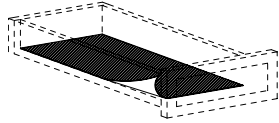
- ADDIV.7.12** 7" High 12" Deep Drawers
- ADDIV.7.15** 7" High 15" Deep Drawers
- ADDIV.7.18** 7" High 18" Deep Drawers
- ADDIV.7.21** 7" High 21" Deep Drawers
- ADDIV.7.24** 7" High 24" Deep Drawers
- ADDIV.10.21** 10" High 21" Deep Drawers
- ADDIV.10.24** 10" High 24" Deep Drawers
- ADDIV.11.21** 11" High 21" Deep Drawers
- ADDIV.11.24** 11" High 24" Deep Drawers

- Dividers are 1/2" thick and can be spaced approximately 3" apart
- Fits drawers of all 24"–42" Base cabinets
- For 24"–27" wide cabinets, two dividers supplied
- For 30"–42" wide cabinets, three dividers supplied
- Available factory installed only

PE
APC
APFC
FPEB
MI
CW
RD
CH
WR
RTKP
VTK

※ Installed in bottom drawer of cabinets with 2 deep drawers

Non-slip drawer liner

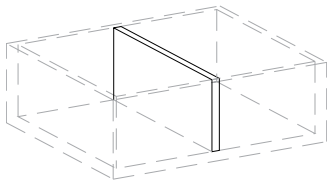


9" Wide NSDLK924	For B9	42" Wide NSDLK4224	for B42
12" Wide NSDLK1224	for B12	45" Wide 2-Drawer NSDLK2224	for B45
15" Wide NSDLK1524	for B15 & B30-2D	Deluxe Roll-out Trays, 12" Wide NSDLDXTK1224	for 12" wide 24" DXROT
18" Wide NSDLK1824	for B18 & B36-2D	Deluxe Roll-out Trays, 15" Wide NSDLDXTK1524	for 15" wide 24" DXROT
21" Wide NSDLK2124	for B21	Deluxe Roll-out Trays, 18" Wide NSDLDXTK1824	for 18" wide 24" DXROT
24" Wide NSDLK2424	for B24 & B48	Deluxe Roll-out Trays, 21" Wide NSDLDXTK2124	for 21" wide 24" DXROT
27" Wide NSDLK2724	for B27	Deluxe Roll-out Trays, 24" Wide NSDLDXTK2424	for 24" wide 24" DXROT
30" Wide NSDLK3024	for B30	Deluxe Roll-out Trays, 27" Wide NSDLDXTK2724	for 27" wide 24" DXROT
33" Wide NSDLK3324	for B33	Deluxe Roll-out Trays, 30" Wide NSDLDXTK3024	for 30" wide 24" DXROT
33" Wide 2-Drawer NSDLK1624	for B33	Deluxe Roll-out Trays, 33" Wide NSDLDXTK3324	for 33" wide 24" DXROT
36" Wide NSDLK3624	for B36	Deluxe Roll-out Trays, 36" Wide NSDLDXTK3624	for 36" wide 24" DXROT
39" Wide NSDLK3924	for B39	Field Trim NSDLR	Roll-60" wide - Field trim to fit
39" Wide 2-Drawer NSDLK1924	for B39		

PE
APC
APFC
FPEB
MI
CW
RD
CH
WR
RTKP
VTK

- Textured translucent lining to help prevent movement of items placed inside drawers
- Liners do **not** adhere to the drawer floor
- Available cut to size, see available options
- Also available as a roll (60" x 23 5/8")
- Field installation only
- For 24" deep cabinets only
- Liners sold individually

Drawer Partition

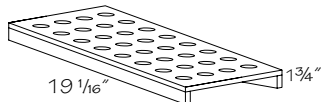
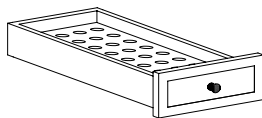


3/4" solid wood	
DP24 .4	4" high drawers
DP24 .7	7" high drawers
DP24 .10	10" High Drawers
3/4" plywood	
DP24 .11	11" high drawers

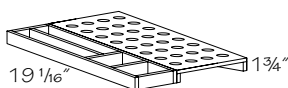
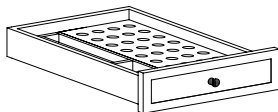
- Fits drawers from front to back
- Field installation only

PE
APC
APFC
FPEB
MI
CW
RD
CH
WR
RTKP
VTK

K-Cup® Drawer Organizer Kit-Field Installation



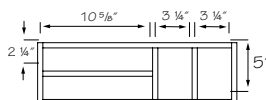
KCDOK15-KCDOK18



KCDOK21-KCDOK24

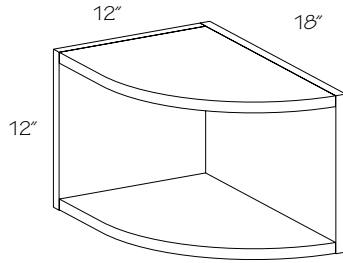
KCDOK15	32 K-Cups
KCDOK18	40 K-Cups
KCDOK21	32 K-Cups with 4 storage compartments
KCDOK24	40 K-Cups with 4 storage compartments

- Available for 24" deep cabinets only
- K-cup® is a registered trademark of Keurig Green Mountain, Inc.



PE
APC
APFC
FPEB
MI
CW
RD
CH
WR
RTKP
VTK

Sink Base Multi-Storage Shelf Kit

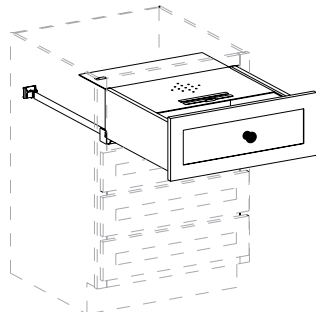


SBMSSK

- 3/4" Natural Birch plywood
- Installation instructions included
- Field installation only

PE
APC
APFC
FPEB
MI
CW
RD
CH
WR
RTKP
VTK

Sliding Bread Box Lid



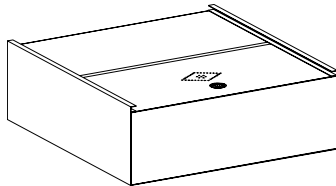
BD cabinet with IF
(Inverted Frame) option shown

SBB

- Fits deep drawer of all 15"–24" base cabinets
- Textured acrylic lid
- Ventilated sliding top
- Order Example: BD18-SBB

PE
APC
APFC
FPEB
MI
CW
RD
CH
WR
RTKP
VTK

Bread Box or Kit



Installed

BB15
BB18
BB21
BB24

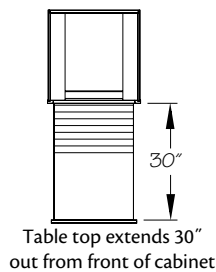
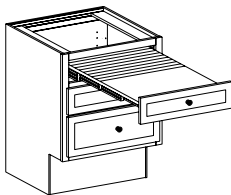
Kit

BBK15
BBK18
BBK21
BBK24

- Fits deep drawer of all 15"–24" base cabinets
- Metal insert
- Ventilated sliding top
- Order Example: Factory Installed—BD18-BB18, Field Installed Kit—BBK18

PE
APC
APFC
FPEB
MI
CW
RD
CH
WR
RTKP
VTK

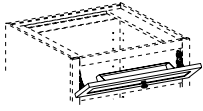
Pull-out Table Kit



POTK24

- Fits into standard 24" wide base cabinet (21" wide drawer opening)
- Load capacity 160 lbs.
- **Must** be installed prior to installation of countertop
- Top constructed of laminated Maple melamine
- **Not** for use in any freestanding cabinet. **Must** be secured to floor or wall
- **Not** designed to be used as a cutting board

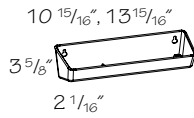
PE
APC
APFC
FPEB
MI
CW
RD
CH
WR
RTKP
VTK



Utensil Tray or Kit

Cabinet	Tray	Order for field installed kit
SBA36	1-11"	UTK18
SFC40	2-11"	UTK30
SFA36	1-11"	UTK18
SFA39-42	1-14"	UTK24
SB18	1-11"	UTK18
SB21-27	1-14"	UTK(cabinet width)
SB30	2-11"	UTK(cabinet width)
SB33-48	2-14"	UTK(cabinet width)

Installed
UT

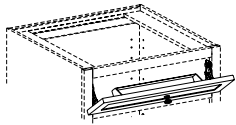


Kit

- UTK18**
- UTK21**
- UTK24**
- UTK27**
- UTK30**
- UTK33**
- UTK36**
- UTK39**
- UTK42**
- UTK45**
- UTK48**

- Almond or White, high-impact polystyrene tray
- Kit includes all mounting hardware
- Tilts down for convenient access to small cleaning items, etc.
- Order Example:
Factory Installed—SB24-UT
Field Installed Kit—UTK 24
- **Note:** When ordering for field installation, be sure to specify the cabinet width

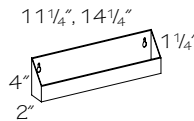
PE
APC
APFC
FPEB
MI
CW
RD
CH
WR
RTKP
VTK



Stainless Utensil Tray or Kit

Cabinet	Tray	Order for field installed kit
SBA36	1-11"	SUTK18
SFA36	1-11"	SUTK18
SFA39-42	1-14"	SUTK24
SB18	1-11"	SUTK18
SB21-27	1-14"	SUTK(cabinet width)
SB30	2-11"	SUTK(cabinet width)
SB33-48	2-14"	SUTK(cabinet width)

Installed
SUT



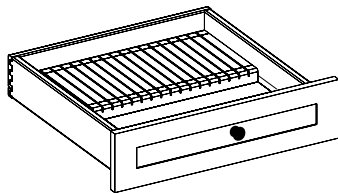
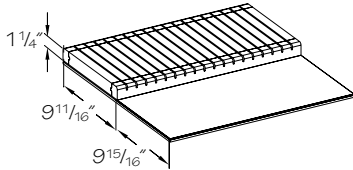
Kit

- SUTK18**
- SUTK21**
- SUTK24**
- SUTK27**
- SUTK30**
- SUTK33**
- SUTK36**
- SUTK39**
- SUTK42**
- SUTK45**
- SUTK48**

- Stainless steel tray
- Tilts down for convenient access to small cleaning items, etc.
- Kit includes all mounting hardware
- Order Example:
Factory Installed—SB18R-SUT
Field Installed Kit—SUTK 18
- **Note:** When ordering for field installation, be sure to specify the cabinet width

PE
APC
APFC
FPEB
MI
CW
RD
CH
WR
RTKP
VTK

Knife Section or Kit



Installed

- KS15**
- KS18**
- KS21**
- KS24**

knife slots

- 9
- 12
- 15
- 18

Kit

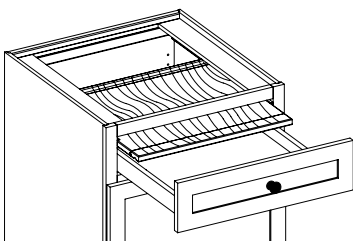
- KSK15**
- KSK18**
- KSK21**
- KSK24**

- 9
- 12
- 15
- 18

- Solid wood, slotted knife holder is 9 11/16" deep
- Cork pad protects drawer bottom, knife handles and edges
- Slots are 1/8" wide, spaced 1" apart

PE
APC
APFC
FPEB
MI
CW
RD
CH
WR
RTKP
VTK

Cutting Center or Kit



Installed

- CC15**
- CC18**
- CC21**
- CC24**

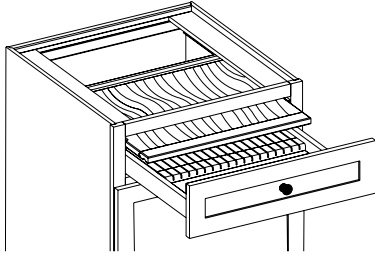
Kit

- CCK15**
- CCK18**
- CCK21**
- CCK24**

- 2 1/4" high drawer box with cutting board installed above
- Cutting board **must** be removed for use
- Order Example:
Factory Installed—B15L-CC15
Field Installed Kit—CCK15

PE
APC
APFC
FPEB
MI
CW
RD
CH
WR
RTKP
VTK

Knife Section Cutting Center or Kit

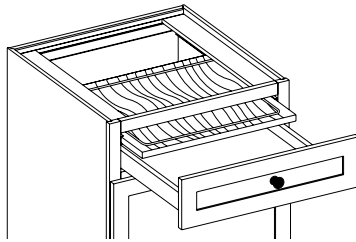


<i>Installed</i>	<i># knife slots</i>
KSCC15	9
KSCC18	12
KSCC21	15
KSCC24	18
<i>Kit</i>	<i># knife slots</i>
KSCCK15	9
KSCCK18	12
KSCCK21	15
KSCCK24	18

- 2 1/4" high drawer box with cutting board installed above
- Cutting board **must** be removed for use
- Has removable knife section installed in drawer
- Order Example:
Factory Installed—B15L-KSCC15
Field Installed Kit—KSCCK15

PE
APC
APFC
FPEB
MI
CW
RD
CH
WR
RTKP
VTK

Chopping Block or Kit

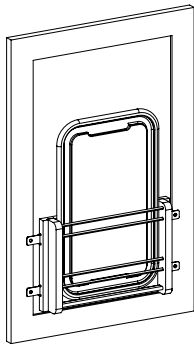


<i>Installed</i>
CHB18
CHB21
CHB24
<i>Kit</i>
CHBK18
CHBK21
CHBK24

- 2 1/4" high drawer box with 1 1/4" thick solid wood block installed above drawer box
- Chopping block **must** be removed for use
- **Cannot** be installed in one side of a double drawer (side by side) cabinet
- Order Example:
Factory Installed—B18L-CHB18
Field Installed Kit—CHBK18

PE
APC
APFC
FPEB
MI
CW
RD
CH
WR
RTKP
VTK

Cutting Board Door Rack Kit

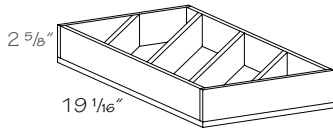


CBDMK18	Fits 18" doors - 9 3/4" x 15 3/4" cutting board
CBDMK21	Fits 21" doors - 13 3/4" x 15 3/4" cutting board
CBDMK24	Fits 24" doors - 13 3/4" x 15 3/4" cutting board

- Lightweight, high density polyethylene
- Able to be cleaned thoroughly, eliminating bacteria and odor
- Approved by FDA (Food and Drug Administration) ITEM 2.1 REG. #1CRF177.1520
- Approved by the National Sanitation Foundation No. 721
- **Cannot** be used with full-depth shelves or Roll-out Trays (ROT)
- Dishwasher safe up to 180° F
- Manufactured with high capacity juice grooves
- Non-abrasive; reduces the dulling of cutting blades
- Solid maple caddy with mounting sockets and screws

PE
APC
APFC
FPEB
MI
CW
RD
CH
WR
RTKP
VTK

Utensil Drawer Organizer - Angled - Field Install Kit

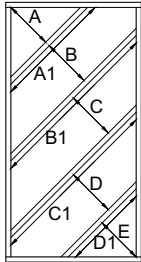


CDAK12
CDAK15
CDAK18
CDAK24

- For 24" deep cabinets only
- 3/8" thick solid wood dividers
- Unit is 2 9/16" high

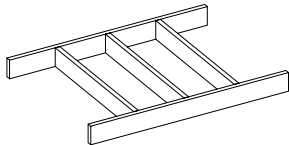
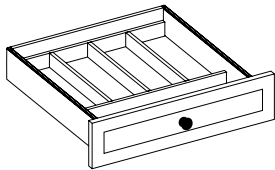
PE
APC
APFC
FPEB
MI
CW
RD
CH
WR
RTKP
VTK

Opening and Length Dimensions



	CDAK12	CDAK15	CDAK18	CDAK24
A	3 3/16"	3 1/8"	4"	4 7/8"
A1	7 3/16"	8"	8 11/16"	10 1/2"
B	3 3/16"	3 5/8"	3 11/16"	4 7/8"
B1	8 13/16"	13 1/16"	16 15/16"	21"
C	3 3/16"	3 5/8"	4 11/16"	4 7/8"
C1	8 13/16"	13 1/16"	16 15/16"	20 1/4"
D	3 3/16"	3 5/8"	3 11/16"	4 7/8"
D1	6 1/8"	7 1/16"	8"	9 3/4"
E	3 1/16"	3 9/16"	4"	4 7/8"

Cutlery Divider or Kit



Installed

CD12
CD15
CD18
CD21
CD24
CD27
CD30
CD33
CD36

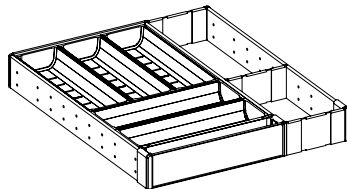
Kit

CDK12 2 sections
CDK15 3 sections
CDK18 3 sections
CDK21 4 sections
CDK24 4 sections
CDK27 5 sections
CDK30 5 sections
CDK33 6 sections
CDK36 7 sections

- 1/2" thick solid wood dividers 1 3/4" high
- Each section is 13" deep and approximately 3 7/8" wide
- Order Example:
 Factory Installed—BD15-CD15
 Field Installed Kit—CDK15

PE
APC
APFC
FPEB
MI
CW
RD
CH
WR
RTKP
VTK

Stainless Cutlery Divider



SCDK

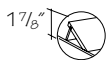
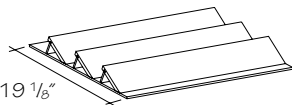
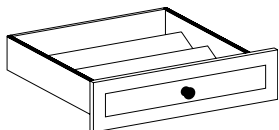
- Adjustable, spring-loaded side rails
- Five removable stainless steel trays
- Fits standard drawers in cabinets 21"-27" wide and 24" deep
- Field installation only



Decorative Hardware should be installed prior to installing a Stainless Cutlery Divider

PE
APC
APFC
FPEB
MI
CW
RD
CH
WR
RTKP
VTK

Spice Drawer Insert or Kit



Installed

- SDI12**
- SDI15**
- SDI18**
- SDI21**
- SDI24**
- SDI27**
- SDI30**
- SDI33**
- SDI36**

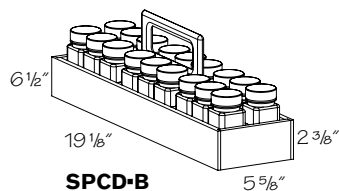
Kit

- SDIK12**
- SDIK15**
- SDIK18**
- SDIK21**
- SDIK24**
- SDIK27**
- SDIK30**
- SDIK33**
- SDIK36**

- Solid wood insert holds spice containers at an angle for easy identification and removal
- Order Example:
Factory Installed—B15R-SDI15
Field Installed Kit—SDIK15

PE
APC
APFC
FPEB
MI
CW
RD
CH
WR
RTKP
VTK

Spice Caddy



SPCD-B

With Bottles

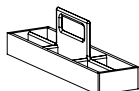
SPCD .B

Without Bottles

SPCD



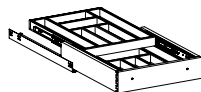
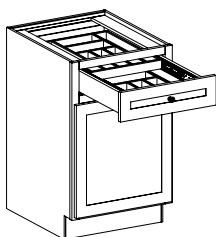
SPCD



- Supplied with 18 spice bottles
- Spice bottles measure 1 3/4" x 1 3/4" x 4", 4 oz. capacity, clear glass
- Satin metal lids
- Use SPBTL for replacement spice bottles

PE
APC
APFC
FPEB
MI
CW
RD
CH
WR
RTKP
VTK

Wood Tiered Drawer Storage or Kit



Installed

- WTCD15**
- WTCD18**
- WTCD21**
- WTCD24**
- WTCD27**
- WTCD30**

Upper/Lower Sections

- 5/5
- 6/6
- 7/7
- 8/8
- 8/8
- 9/9

Kit

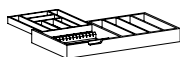
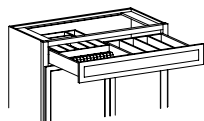
- WTC DK15**
- WTC DK18**
- WTC DK21**
- WTC DK24**
- WTC DK27**
- WTC DK30**

- 5/5
- 6/6
- 7/7
- 8/8
- 8/8
- 9/9

- Sliding top tray
- Available factory installed for 24" deep cabinets only
- Order Example:
Factory Installed—BD15-WTCD15
Field Installed Kit—WTC DK15

PE
APC
APFC
FPEB
MI
CW
RD
CH
WR
RTKP
VTK

Wood Tiered Drawer Storage Combination or Kit



Installed

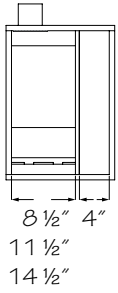
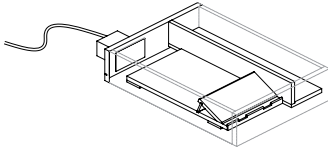
- WTDC30**
- WTDC36**

Kit

- WTC DK30**
- WTC DK36**

- WTDC30 or WTC DK30:
Lower left tiered section: Knife organizer (holds 12 knives), two storage compartments
Upper Left tiered section: Four divided storage compartments, one long storage compartment
Right section (*not* tiered):
Three long storage compartments
- WTDC36 or WTC DK36:
Lower left tiered section: Knife organizer (holds 15 knives), two storage compartments
Upper Left tiered section: Five divided storage compartments, one long storage compartment
Right section (*not* tiered):
Four long storage compartments
- Available for 24" deep cabinets only

PE
APC
APFC
FPEB
MI
CW
RD
CH
WR
RTKP
VTK



Charging Drawer

*Installed**
CGD18
CGD21
CGD24

Kit
 18" Cabinet
RBKCGD18 (drawer box)
CGD18.DI (drawer insert)
CGD.OL (outlet)

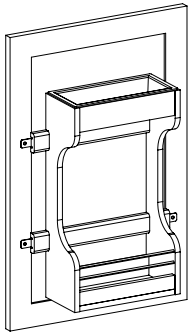
21" Cabinet
RBKCGD21 (drawer box)
CGD21.DI (drawer insert)
CGD.OL (outlet)

24" Cabinet
RBKCGD24 (drawer box)
CGD24.DI (drawer insert)
CGD.OL (outlet)

- Solid wood drawer box
- One three-prong and Two USB outlets; cord length for outlet is 6 ft.
- Drawer box prepared for Outlet-Insert
- Requires separate power source in the back of the cabinet
- Installed: Outlet and drawer inserts shipped separately*
- Kits: Order one of each item to complete kit. Each component will ship separately
- Order Example:
 Factory Installed–BD18-CGD18
 Field Installed Kit–RBKCGD18, CGD18.DI, CGD.OL

PE
APC
APFC
FPEB
MI
CW
RD
CH
WR
RTKP
VTK

Sink Base Door Storage Unit or Kit



Installed
SBDSU30 R or L
SBDSU33 R or L
SBDSU36 R or L
SBDSU39 R or L
SBDSU42 R or L

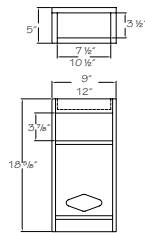
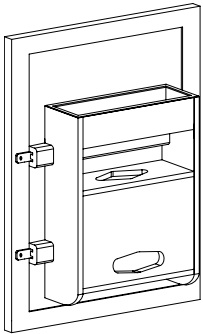
also fits SB18
 also fits SB21

Kit
SBDSUK30
SBDSUK33
SBDSUK36 also fits SB18
SBDSUK39
SBDSUK42 also fits SB21

- Specify R or L
- Solid wood
- Two fixed shelves, 4" deep
- Kit includes all mounting hardware
- Rack is 5" deep

PE
APC
APFC
FPEB
MI
CW
RD
CH
WR
RTKP
VTK

Sink Base Plastic Bag Door Storage Unit or Kit



Installed
SBPBS30 R or L
SBPBS33 R or L
SBPBS36 R or L
SBPBS39 R or L

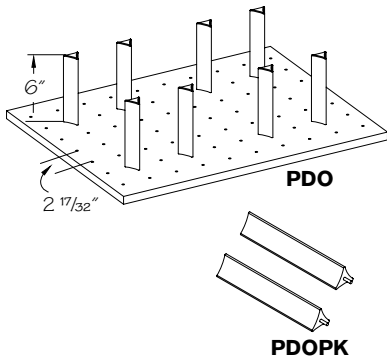
also fits SB18

Kit
SBPBSK30
SBPBSK33
SBPBSK36 also fits SB18
SBPBSK39

- Specify R or L
- Solid wood and plywood construction
- Kit includes all mounting hardware
- Rack is 5" deep
- Removable, almond plastic tray lines upper shelf
- Bag storage box features two openings to insert and remove plastic bags

PE
APC
APFC
FPEB
MI
CW
RD
CH
WR
RTKP
VTK

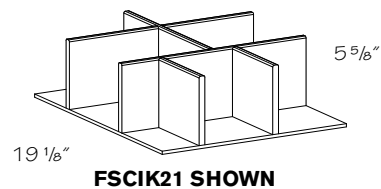
Pegged Drawer Organizer



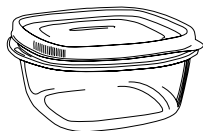
Kit
PDO24 Six pegs
PDO27 Six pegs
PDO30 Eight pegs
PDO33 Eight pegs
PDO36 Ten pegs
PDO42 Ten pegs
Pack-Additional pegs
PDOPK Two pegs

- 3/4" natural Birch plywood floor
- Sized to fit 24" deep drawers
- Fits 7" and 11" high drawers
- Trimmable
- Shipped separately

PE
APC
APFC
FPEB
MI
CW
RD
CH
WR
RTKP
VTK



FSCIK21 SHOWN



Multi-Sized Deep Drawer Organizer w/Food Storage and Multi-Sized Deep Drawer Organizer

Organizer w/Food Storage

FSCIK18

FSCIK21

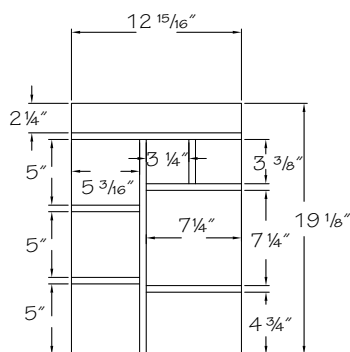
Deep Drawer Organizer

FSC118

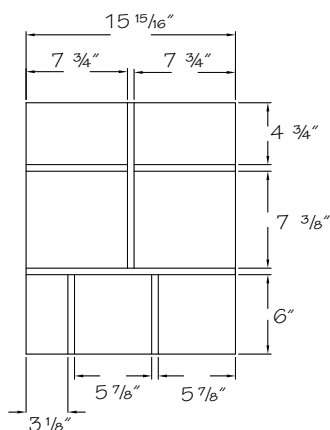
FSC121

- FSCIK18 is for use with 18" wide deep drawer (Example: BD18, BD18.3)
- FSCIK21 is for use with 21" wide deep drawer (Example: BD21, BD21.3)
- Containers are **not** covered under limited lifetime warranty

PE
APC
APFC
FPEB
MI
CW
RD
CH
WR
RTKP
VTK



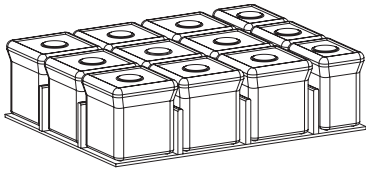
FSCIK18



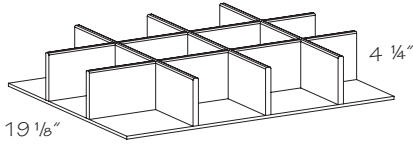
FSCIK21

Food Container Size (Includes Lids)

FSCIK18 Qty.	FSCIK21 Qty.	Container Cup Size
4	8	1/2
5	7	1 1/4
4	5	2
1	4	3
2	3	5
1	2	7



DCSK30 SHOWN



DCDK30 SHOWN

	A	B	C	D
1				
2				
3				

Deep Drawer Organizer w/Canister Storage and Deep Drawer Organizer w/Tall Canister Storage

Canister Storage

- DCSK12** 3-0.9 quart containers -6.2 High
- DCSK15** 6-1.5 quart containers -6.2 High
- DCSK18** 6-2.4 quart containers -6.2 High
- DCSK21** 3-2.4 and 6-1.5 quart containers -6.2 High
- DCSK24** 6-2.4 and 3-1.5 quart containers -6.2 High
- DCSK27** 6-2.4 and 6-1.5 quart containers -6.2 High
- DCSK30** 9-2.4 and 3-1.5 quart containers -6.2 High

Tall Canister Storage

- DTCSK12** 3-1.5 quart containers -9.3 High
- DTCSK15** 6-2.5 quart containers -9.3 High
- DTCSK18** 6-4.0 quart containers -9.3 High
- DTCSK21** 3-4.0 and 6-2.5 quart containers -9.3 High
- DTCSK24** 6-4.0 and 3-2.5 quart containers -9.3 High
- DTCSK27** 6-4.0 and 6-2.5 quart containers -9.3 High
- DTCSK30** 9-4.0 and 3-2.5 quart containers -9.3 High

- Deep Drawer Organizer w/Canister Storage (DCSK) are designed to fit into 7" high drawer boxes in cabinets that are 12", 15", 18", 21", 24", 27", and 30" wide
- Deep Drawer Organizer w/Tall Canister Storage (DTCSK) are designed to fit into 10" high drawer boxes in cabinets that are 12", 15", 18", 21", 24", 27", and 30" wide
- Containers have an air tight seal
- Containers are **not** covered under limited lifetime warranty

PE
APC
APFC
FPEB
MI
CW
RD
CH
WR
RTKP
VTK

DCSK12/DTCSK12/DCDK12

	A	B	C	D
1	6 15/16" X 6 1/16"			
2	6 15/16" X 6 1/16"			
3	6 15/16" X 6 1/16"			

DCSK15/DTCSK15/DCDK15

	A	B	C	D
1	4 3/4" X 6 1/16"	4 3/4" X 6 1/16"		
2	4 3/4" X 6 1/16"	4 3/4" X 6 1/16"		
3	4 3/4" X 6 1/16"	4 3/4" X 6 1/16"		

DCSK18/DTCSK18/DCDK18

	A	B	C	D
1	6 1/4" X 6 1/16"	6 1/4" X 6 1/16"		
2	6 1/4" X 6 1/16"	6 1/4" X 6 1/16"		
3	6 1/4" X 6 1/16"	6 1/4" X 6 1/16"		

DCSK21/DTCSK21/DCDK21

	A	B	C	D
1	4 1/4" X 6 1/16"	4 1/4" X 6 1/16"	6 1/2" X 6 1/16"	
2	6 1/2" X 6 1/16"	4 1/4" X 6 1/16"	4 1/4" X 6 1/16"	
3	4 1/4" X 6 1/16"	4 1/4" X 6 1/16"	6 1/2" X 6 1/16"	

DCSK24/DTCSK24/DCDK24

	A	B	C	D
1	6" X 6 1/16"	6" X 6 1/16"	6" X 6 1/16"	
2	6" X 6 1/16"	6" X 6 1/16"	6" X 6 1/16"	
3	6" X 6 1/16"	6" X 6 1/16"	6" X 6 1/16"	

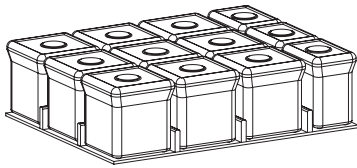
DCSK27/DTCSK27/DCDK27

	A	B	C	D
1	4 1/8" X 6 1/16"	6 1/8" X 6 1/16"	4 1/8" X 6 1/16"	6 1/8" X 6 1/16"
2	4 1/8" X 6 1/16"	6 1/8" X 6 1/16"	4 1/8" X 6 1/16"	6 1/8" X 6 1/16"
3	4 1/8" X 6 1/16"	6 1/8" X 6 1/16"	4 1/8" X 6 1/16"	6 1/8" X 6 1/16"

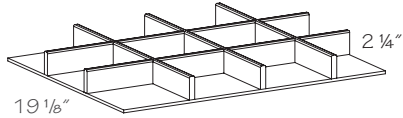
DCSK30/DTCSK30/DCDK30

	A	B	C	D
1	6 1/4" X 6 1/16"	6 1/4" X 6 1/16"	6 1/4" X 6 1/16"	6 1/4" X 6 1/16"
2	6 1/4" X 6 1/16"	6 1/4" X 6 1/16"	6 1/4" X 6 1/16"	6 1/4" X 6 1/16"
3	6 1/4" X 6 1/16"	6 1/4" X 6 1/16"	6 1/4" X 6 1/16"	6 1/4" X 6 1/16"

Roll-Out Tray Organizer w/Canisters and Roll-Out Tray Organizer w/Tall Canisters



RCSK30 SHOWN



RCDK30 SHOWN

	A	B	C	D
1				
2				
3				

Canister Storage

RCSK12	3-0.9 quart containers -6.2" High
RCSK15	6-1.5 quart containers -6.2" High
RCSK18	3-2.4 and 3-1.5 quart containers -6.2" High
RCSK21	3-2.4 and 6-1.5 quart containers -6.2" High
RCSK24	6-2.4 and 3-1.5 quart containers -6.2" High
RCSK27	6-2.4 and 6-1.5 quart containers -6.2" High
RCSK30	9-2.4 and 3-1.5 quart containers -6.2" High

Tall Canister Storage

RTCSK12	3-1.5 quart containers -9.3" High
RTCSK15	3-2.5 quart containers -9.3" High
RTCSK18	3-4.0 and 3-2.5 quart containers -9.3" High
RTCSK21	3-4.0 and 6-2.5 quart containers -9.3" High
RTCSK24	6-4.0 and 3-2.5 quart containers -9.3" High
RTCSK27	6-4.0 and 6-2.5 quart containers -9.3" High
RTCSK30	9-4.0 and 9-2.5 quart containers -9.3" High

- Deluxe Rollout Container Storage Kits are designed for Deluxe Rollouts in cabinets that are 12", 15", 18", 21", 24", 27", and 30" wide
- Containers have an air tight seal
- Containers are **not** covered under limited lifetime warranty
- Note:** Tall Canisters will **not** fit into both trays of Base cabinets with .2DXFWT. Tray height adjustments will be required on these cabinets for Tall Canisters to fit into a single tray

PE
APC
APFC
FPEB
MI
CW
RD
CH
WR
RTKP
VTK

RCSK12/RTCSK12/RCDK12

	A	B	C	D
1	6 7/16" X 6 1/16"			
2	6 7/16" X 6 1/16"			
3	6 7/16" X 6 1/16"			

RCSK15/RTCSK15/RCDK15

	A	B	C	D
1	4 1/2" X 6 1/16"	4 1/2" X 6 1/16"		
2	4 1/2" X 6 1/16"	4 1/2" X 6 1/16"		
3	4 1/2" X 6 1/16"	4 1/2" X 6 1/16"		

RCSK18/RTCSK18/RCDK18

	A	B	C	D
1	6 7/8" X 6 1/16"	5 1/16" X 6 1/16"		
2	6 7/8" X 6 1/16"	5 1/16" X 6 1/16"		
3	6 7/8" X 6 1/16"	5 1/16" X 6 1/16"		

RCSK21/RTCSK21/RCDK21

	A	B	C	D
1	4 5/16" X 6 1/16"	5 7/8" X 6 1/16"	4 5/16" X 6 1/16"	
2	4 5/16" X 6 1/16"	5 7/8" X 6 1/16"	4 5/16" X 6 1/16"	
3	4 5/16" X 6 1/16"	5 7/8" X 6 1/16"	4 5/16" X 6 1/16"	

RCSK24/RTCSK24/RCDK24

	A	B	C	D
1	6 3/8" X 6 1/16"	4 11/16" X 6 1/16"	6 3/8" X 6 1/16"	
2	6 3/8" X 6 1/16"	4 11/16" X 6 1/16"	6 3/8" X 6 1/16"	
3	6 3/8" X 6 1/16"	4 11/16" X 6 1/16"	6 3/8" X 6 1/16"	

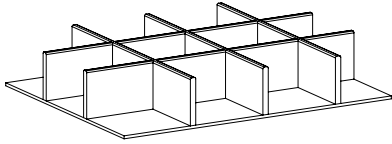
RCSK27/RTCSK27/RCDK27

	A	B	C	D
1	4" X 6 1/16"	5 15/16" X 6 1/16"	4" X 6 1/16"	5 15/16" X 6 1/16"
2	4" X 6 1/16"	5 15/16" X 6 1/16"	4" X 6 1/16"	5 15/16" X 6 1/16"
3	4" X 6 1/16"	5 15/16" X 6 1/16"	4" X 6 1/16"	5 15/16" X 6 1/16"

RCSK30//RTCSK30/RCDK30

	A	B	C	D
1	6 3/16" X 6 1/16"	6 3/16" X 6 1/16"	6 3/16" X 6 1/16"	6 3/16" X 6 1/16"
2	6 3/16" X 6 1/16"	6 3/16" X 6 1/16"	6 3/16" X 6 1/16"	6 3/16" X 6 1/16"
3	6 3/16" X 6 1/16"	6 3/16" X 6 1/16"	6 3/16" X 6 1/16"	6 3/16" X 6 1/16"

Deep Drawer Organizer

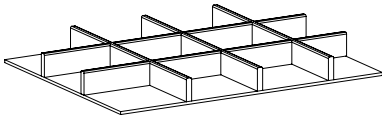


DCDK12
DCDK15
DCDK18
DCDK21
DCDK24
DCDK27
DCDK30

- Fits 6.2" and 9.3" high containers

PE
APC
APFC
FPEB
MI
CW
RD
CH
WR
RTKP
VTK

Roll-Out Tray Organizer

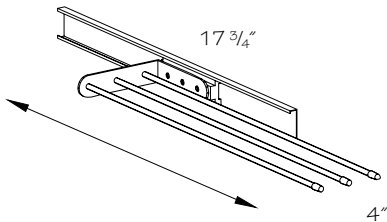


RCDK12
RCDK15
RCDK18
RCDK21
RCDK24
RCDK27
RCDK30

- Fits 6.2" and 9.3" high containers

PE
APC
APFC
FPEB
MI
CW
RD
CH
WR
RTKP
VTK

Sliding Towel Bar

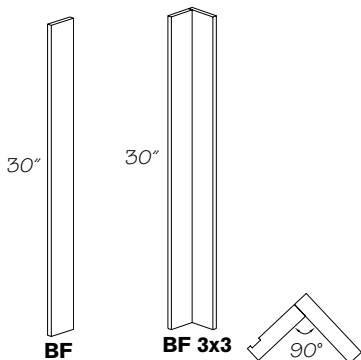


STB

- Mounts to cabinet end panel
- Pulls-out 8 3/4" for easy access
- Three satin finish chrome towel bars
- Field installation only

PE
APC
APFC
FPEB
MI
CW
RD
CH
WR
RTKP
VTK

Base Filler

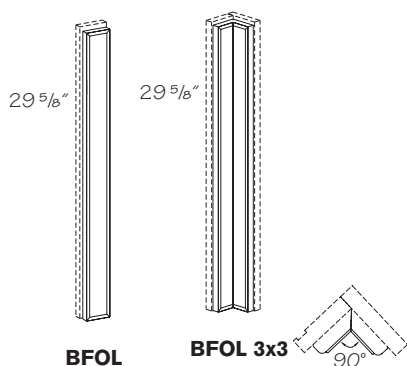


BF3
BF6
BF3X3

- 3/4" thick solid wood
- Finished one side only
- Crafted or Quartersawn door styles will be supplied in plain sawn wood
- Painted or Stained hardwood supplied for Wood-Grain Foil door styles
- Painted hardwood supplied for EverCore™ and Thermofoil
- No toe kick

PE
APC
APFC
FPEB
MI
CW
RD
CH
WR
RTKP
VTK

Base Filler Overlay



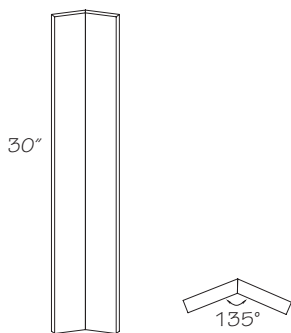
BFOL3
BFOL6
▲ BFOL3X3

▲ Shipped as two pieces in Thermofoil and Wood-Grain Foil door styles. **Must** be field trimmed and mitered

- Available in full overlay door styles only
- Available in High-Gloss Foils finish except in 3X3 models
- Filler ordered separately
- Filler overlay has routed door profile and is made from the same material as doors and drawer fronts
- Consider using Custom Filler Overlay (CFOL) option in applications that require Change Width (CW)

PE
APC
APFC
FPEB
MI
CW
RD
CH
WR
RTKP
VTK

Base Inside Corner Angle Filler

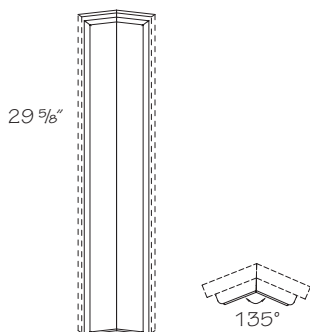


ICAF30

- 3/4" thick solid wood
- Crafted or Quartersawn door styles will be supplied in plain sawn wood
- Finished one side only
- Shipped in one piece
- **Not** available in Thermofoil door styles
- Painted hardwood supplied for EverCore™
- Painted or Stained hardwood supplied for Wood-Grain Foil door styles

PE
APC
APFC
FPEB
MI
CW
RD
CH
WR
RTKP
VTK

Base Inside Corner Angle Filler Overlay

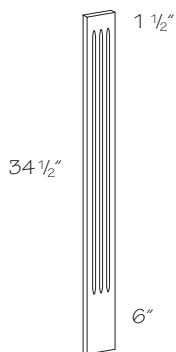


ICAFOL30

- 3/4" thick solid wood
- Available in full overlay door styles only
- Filler overlay has routed door profile and is made from the same material as doors and drawer fronts
- Filler ordered separately
- Quartersawn Oak door styles are 3/4" quartersawn wood with matching door profile on all sides. Quartersawn Cherry and Maple door styles are quartersawn wood veneer
- Shipped as two pieces
- **Not** available in Thermofoil door styles

PE
APC
APFC
FPEB
MI
CW
RD
CH
WR
RTKP
VTK

Base Fluted Filler

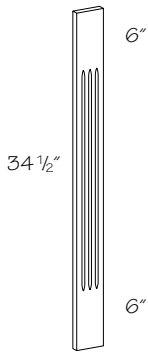


BFF3
BFF6

- 3/4" thick solid wood
- Quartersawn door styles are supplied plain sawn
- Painted or Stained hardwood supplied for Wood-Grain Foil door styles
- Painted hardwood supplied for EverCore™ and Thermofoil

PE
APC
APFC
FPEB
MI
CW
RD
CH
WR
RTKP
VTK

Plain Capital Base Fluted Filler

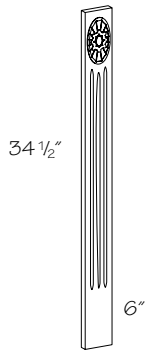


PCBFF3
PCBFF6

- 3/4" thick solid wood
- Quartersawn door styles are supplied plain sawn
- Painted or Stained hardwood supplied for Wood-Grain Foil door styles
- Painted hardwood supplied for EverCore™ and Thermofoil

PE
APC
APFC
FPEB
MI
CW
RD
CH
WR
RTKP
VTK

Rosette Base Fluted Filler

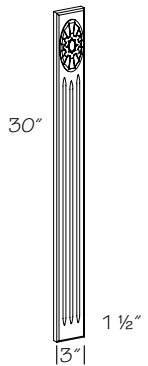


RBFF3

- 3/4" thick solid wood
- Applied decorative rosette
- **Not** available in Rustic Alder door styles
- **Not** available in Wood-Grain Foil door styles
- Quartersawn door styles are supplied plain sawn
- Painted hardwood supplied for EverCore™ and Thermofoil

PE
APC
APFC
FPEB
MI
CW
RD
CH
WR
RTKP
VTK

Rosette Base Fluted Filler Overlay

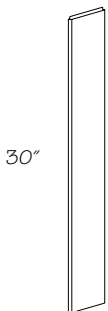


RFBFOL3

- 3/4" thick solid wood
- Applied decorative rosette
- **Not** available in Rustic Alder door styles
- **Not** available in Wood-Grain Foil door styles
- Quartersawn door styles are supplied plain sawn
- Painted hardwood supplied for EverCore™ and Thermofoil

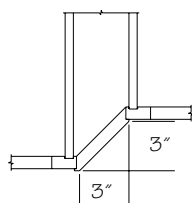
PE
APC
APFC
FPEB
MI
CW
RD
CH
WR
RTKP
VTK

Filler Extension



Filler Extension

FE3.30

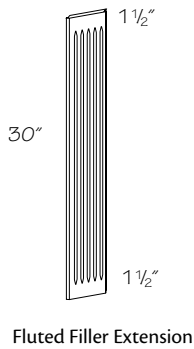


Filler Extension Application

- 3/4" thick solid wood
- Crafted or Quartersawn door styles will be supplied in plain sawn wood
- Painted or Stained hardwood supplied for Wood-Grain Foil door styles
- Painted hardwood supplied for EverCore™ and Thermofoil

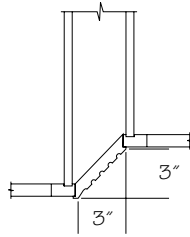
PE
APC
APFC
FPEB
MI
CW
RD
CH
WR
RTKP
VTK

Fluted Filler Extension



Fluted Filler Extension

FFE3.30

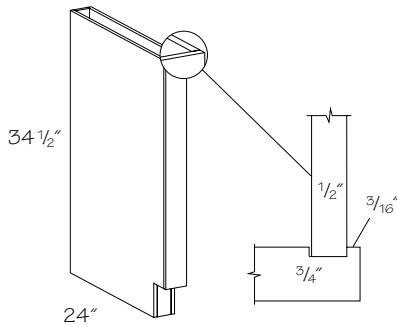


Filler Extension Application

- 3/4" thick solid wood
- Painted or Stained hardwood supplied for Wood-Grain Foil door styles
- Quartersawn door styles are supplied plain sawn
- Painted hardwood supplied for EverCore™ and Thermofoil

PE
APC
APFC
FPEB
MI
CW
RD
CH
WR
RTKP
VTK

Base Box

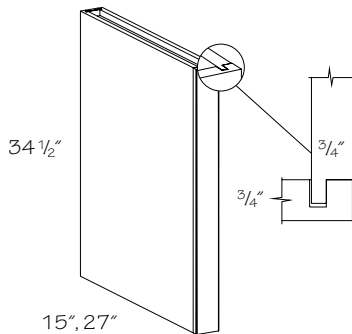


BB3

- Finished front and both sides
- Crafted or Quartersawn door styles will be supplied in plain sawn wood
- Painted hardwood supplied for EverCore™
- Painted or Stained hardwood supplied for Wood-Grain Foil door styles
- Reversible, may be used on either right or left end
- ☆ Only available with Recessed Toe Kick Peninsula Back (RTKP); **cannot** accommodate Recessed Toe Kick for sides (RTKPB, RTKPL, RTKPR)

● PE
● APC
● APFC
● FPEB
● MI
● CW
● RD
● CH
● WR
☆ RTKP
● VTK

Base Column



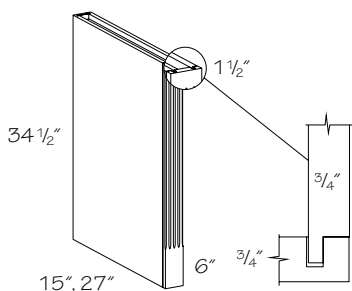
- BC315
- BC615
- BC327
- BC627

○ Change Width (CW) option **not** available

- Front is 3/4" solid wood
- Quartersawn Oak door styles have 3/4" solid quartersawn wood front and quartersawn wood veneer end panels
- Painted hardwood supplied for EverCore™
- Foil-wrapped MDF supplied for Wood-Grain Foil door styles on face frame only
- Plain sawn material supplied for Bristow Crafted door styles
- Finished front and both sides
- Reversible, may be used on either right or left end
- ☆ APFC standard when APC option is selected

PE
● APC
☆ APFC
❖ FPEB
MI
☆ CW
● RD
● CH
❖ WR
RTKP
VTK

Base Fluted Column

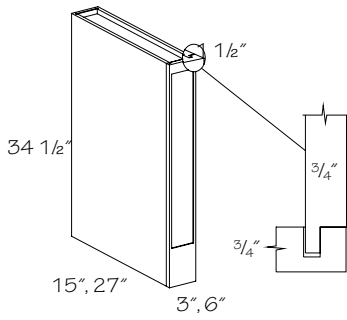


BFC315 BFC327

- Fluted front is 3/4" solid wood; plain sawn wood supplied for quartersawn door styles
- Finished front and both sides
- Quartersawn Oak door styles have quartersawn wood veneer end panels
- Painted hardwood supplied for EverCore™
- Painted or Stained hardwood supplied for Wood-Grain Foil door styles
- Plain sawn material supplied for Bristow Crafted door styles
- Reversible, may be used on either right or left end
- ☆ APFC standard when APC option is selected

PE
● APC
☆ APFC
❖ FPEB
MI
CW
● RD
● CH
❖ WR
RTKP
VTK

Sterling Base Column

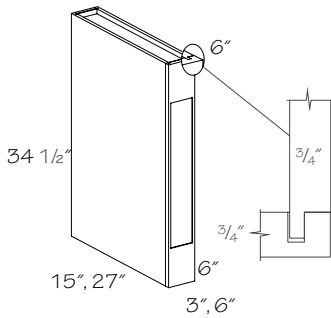


STBC315
STBC615
STBC327
STBC627

- Front is 3/4" solid wood
- Finished front and both sides
- Available in Cherry, EverCore™, Maple and Wood-Grain Foil door styles only
- Painted hardwood supplied for EverCore™
- Painted hardwood supplied for Wood-Grain Foil door styles; only available in white
- Reversible, may be used on either right or left end
- ☆ APFC standard when APC option is selected

PE
● APC
☆ APFC
❖ FPEB
MI
CW
● RD
● CH
❖ WR
RTKP
VTK

Plain Capital Sterling Base Column

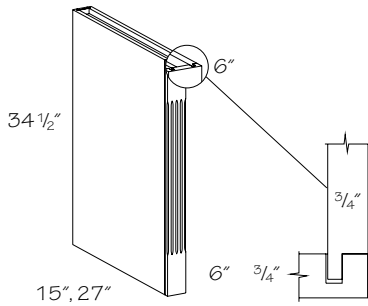


PCSTBC315
PCSTBC615
PCSTBC327
PCSTBC627

- Front is 3/4" solid wood
- Finished front and both sides
- Available in Cherry, EverCore™, Maple, Rustic Alder and Wood-Grain Foil door styles only
- Painted hardwood supplied for EverCore™
- Painted hardwood supplied for Wood-Grain Foil door styles; only available in white
- Reversible, may be used on either right or left end
- ☆ APFC standard when APC option is selected

PE
● APC
☆ APFC
❖ FPEB
MI
CW
● RD
● CH
❖ WR
RTKP
VTK

Plain Capital Base Fluted Column

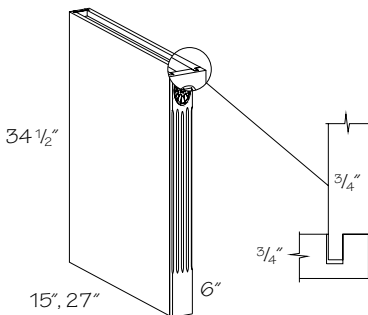


PCBFC315
PCBFC327

- Fluted front is 3/4" solid wood; plain sawn wood supplied for quartersawn door styles
- Quartersawn Oak door styles have quartersawn wood veneer end panels
- Painted hardwood supplied for EverCore™
- Painted or Stained hardwood supplied for Wood-Grain Foil door styles
- Plain sawn material supplied for Bristow Crafted door styles
- Finished front and both sides
- Reversible, may be used on either right or left end
- ☆ APFC standard when APC option is selected

PE
● APC
☆ APFC
❖ FPEB
MI
CW
● RD
● CH
❖ WR
RTKP
VTK

Rosette Base Fluted Column

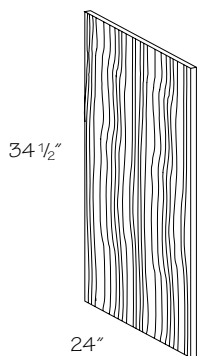


RBFC315
RBFC327

- Fluted front is 3/4" solid wood; plain sawn wood supplied for quartersawn door styles
- Applied decorative rosette
- Quartersawn Oak door styles have quartersawn wood veneer end panels
- Finished front and both sides
- Reversible, may be used on either right or left end
- Plain sawn material supplied for Bristow Crafted door styles
- **Not** available in Rustic Alder door styles
- **Not** available in Wood-Grain Foil door styles
- Painted hardwood supplied for EverCore™ and Thermofoil
- ☆ APFC standard when APC option is selected

PE
● APC
☆ APFC
❖ FPEB
MI
CW
● RD
● CH
❖ WR
RTKP
VTK

Base End Panel

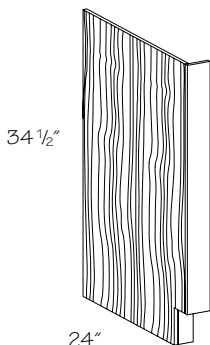


- Laminate*
- **VBEP** 24" x 34 1/2" x 3/4"
- Wood Veneer*
- ※ **WBEP** 24" x 34 1/2" x 13/16"
 - Quartersawn door styles are supplied plain sawn
 - ※ Thermofoils are painted hardwood

- Edgembanded one long edge
- Finished to match exterior both sides
- ☆ APC panel only available in wood veneer
- ☆ APC panel is 11/16" thick

PE
☆ APC
APFC
FPEB
MI
CW
RD
● CH
WR
RTKP
VTK

Base End Panel w/Stile

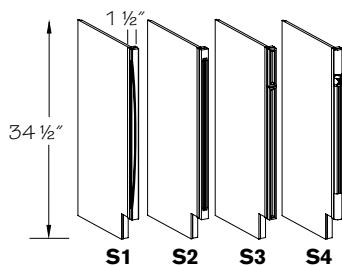


- **BEP 1 1/2 R or L**
- **BEP3 R or L**
- **BEP6 R or L**
- Change Width (CW) option *not* available

- Specify R or L
- Exterior finished to match, interior is Natural Birch printed wood grain laminate and machined to match a cabinet end panel
- Left shown
- Crafted or Quartersawn door styles will be supplied in plain sawn wood
- Painted hardwood supplied for EverCore™

● PE
● APC
● APFC
● FPEB
● MI
☆ CW
● RD
● CH
● WR
RTKP
● VTK

Decorative Accent End Panel

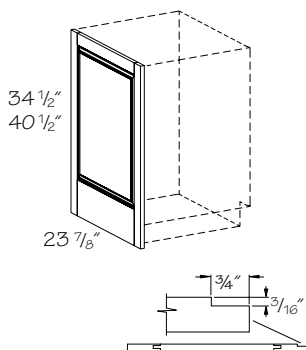


- **DEP2434 R or L.S1**
- **DEP2434 R or L.S2**
- **DEP2434 R or L.S3**
- **DEP2434 R or L.S4**
- ※ *Not* available in Rustic Alder door styles

- Specify R or L
- Available in Alder, Cherry, EverCore™ and Maple full overlay door styles only
- Painted hardwood supplied for EverCore™
- Applied decorative accent mounted toward end panel
- End panel is trimmable

PE
● APC
● APFC
❖ FPEB
● MI
CW
● RD
CH
WR
RTKP
VTK

Matching Base End Panel



- 34 1/2" High
- **MBEP R or L**
- 40 1/2" High
- **MBEP40 .R or L**
- Peninsula*
- **PMBEP**
 - *Not* available in Wood-Grain Foil door styles

- Specify R or L
- 3/4" thick panel with matching door edge profile on front edge only
- Peninsula panel has routed door profile front and back
- Epic and Foil door styles do *not* have grooves and will *not* fit flush against 1/2" end panel. A 3/16" shim is recommended
- Foil and slab door styles do *not* have grooves and will *not* fit flush against 1/2" end panel. A 3/16" shim is recommended
- Inside of matching panel bottom rail will line up with inside bottom rail of door
- Left shown
- Field installation only
- *Not* available in mitered or Carlin door styles; use End Panel-Mitered
- *Not* available in High-Gloss Foil door styles
- ☆ Wide Bottom Rail—field notch for toe kick

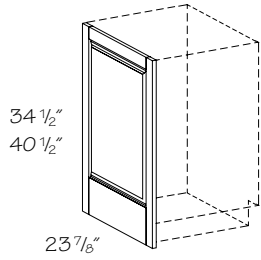
PE
APC
APFC
FPEB
MI
● CW
RD
● CH
☆ WR
RTKP
VTK

Standard edge detail—fits flush against 1/2" end panel and behind face frame



When designing with Matching End Panels the reveal will differ from the cabinet door height reveal. Matching End Panels cover the entire side of the cabinet. See drawing for exact measurements

Matching Base End Panel—Square Edges



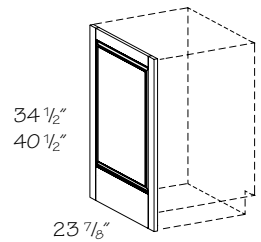
Will not fit flush against 1/2" end panel, a 3/16" shim is recommended

34 1/2" High
MBEP .S
 40 1/2" High
MBEP40 .S

- 3/4" thick panel with square edge front and back
- Inside of matching panel bottom rail will line up with inside bottom rail of door
- Reversible, may be used on either right or left end
- Field installation only
- No frame recess dado
- **Not** available in High-Gloss Foil, Thermofoil or Wood-Grain Foil door styles
- **Not** available in mitered door styles; use End Panel—Mitered
- ☆ Wide Bottom Rail—field notch for toe kick

PE
APC
APFC
FPEB
MI
● CW
RD
● CH
☆ WR
RTKP
VTK

Furniture Matching Base End Panel



Standard edge detail—fits flush against 1/2" end panel

34 1/2" High
FMBEP R or L
 40 1/2" High
FMBEP40 .R or L
Peninsula
FPMBEP

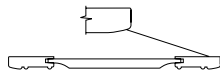
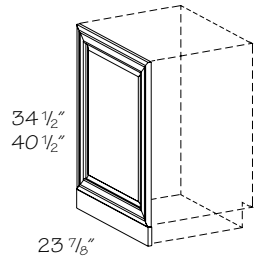
- Specify R or L
- 3/4" thick panel with matching door edge profile on front edge only
- Peninsula panel has routed door profile front and back
- Inside of matching panel bottom rail will line up with inside bottom rail of door
- For use with Furniture Plywood Ends (FPEB)—flush ends
- Left shown
- Field installation only
- **Not** available in mitered door styles; use End Panel—Mitered
- **Not** available in High-Gloss Foil or Wood-Grain Foil door styles
- ☆ Wide Bottom Rail—field notch for toe kick

PE
APC
APFC
FPEB
MI
● CW
RD
● CH
☆ WR
RTKP
VTK



When designing with Matching End Panels the reveal will differ from the cabinet door height reveal. Matching End Panels cover the entire side of the cabinet. See drawing for exact measurements

Matching Base End Panel—Mitered



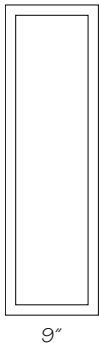
Will not fit flush against 1/2" end panel, a 3/16" shim is recommended

34 1/2" High
M.MBEP
 40 1/2" High
M.MBEP40

- 3/4" thick panel with matching door edge profile on four sides
- Inside of matching panel bottom rail will line up with inside bottom rail of door
- Available in mitered and Carlin door styles only
- Reversible, may be used on either right or left end
- Field installation only
- Toe kick shipped unattached
- ☆ Wide Bottom Rail—field notch for toe kick

PE
APC
APFC
FPEB
MI
● CW
RD
● CH
☆ WR
RTKP
VTK

Overlay Panel For Base Blind Corner Cabinets

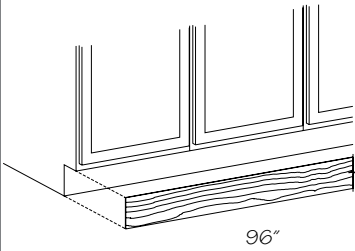


OPWBC30

- Available in full overlay door styles only
- Field miter
- Overlay Panel has routed door profile and is made from the same material as doors and drawer fronts

PE
APC
APFC
FPEB
MI
CW
RD
CH
WR
RTKP
VTK

Toe Kick



Black

- † **BLTK8**
1/8" thick hardboard, 4 1/2" high

Laminate

- MTK8**
1/8" thick hardboard, 4 1/2" high, laminated with matching Laminate

Laminate

- MTK8**
1/8" thick hardboard, 4 1/2" high, laminated with matching printed wood grain laminate

Aluminum finish

- MTK8 .A**
1/16" thick flexible laminate, 4 1/2" high

Stainless finish

- MTK8 .S**
1/16" thick flexible laminate, 4 1/2" high

Wood Veneer

- ▲* **WMTK8**
3/16" thick wood veneer, 4 1/2" high, to match

- † Painted hardwood supplied for EverCore™
- ▲ Painted or Stained hardwood supplied for Wood-Grain Foil door styles
- * Quartersawn door styles are supplied plain sawn

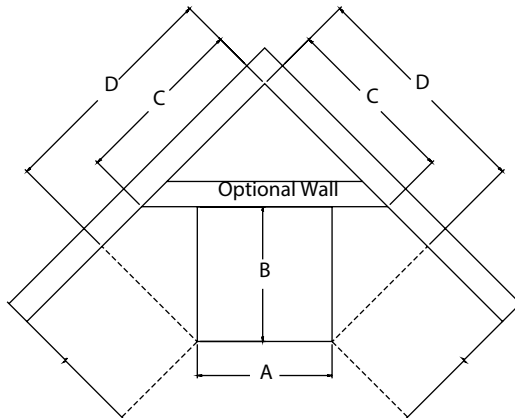
- Edges are unfinished
- Field installation only
- **Note:** Matching toe kick is **not** automatically supplied with cabinets. It **must** be ordered as a separate item



Apply Shoe Molding (SHO8) at the base of Matching Toe Kicks or Wood Matching Toe Kicks (MTK8 or WMTK8) for a nice, finished look.

PE
APC
APFC
FPEB
MI
CW
RD
CH
WR
RTKP
VTK

Diagonal Installation of Standard Base Cabinets



Note: Fillers are always recommended at both sides of cabinet junction points to allow for wall variations and drawer clearances.

Cabinet Width A	Cabinet Depth B	Wall Dimensions C	Wall Dimensions D
12"	24"	22 1/2"	32 1/2"
15"	24"	24 3/8"	34 3/8"
18"	24"	26 3/4"	36 3/4"
21"	24"	28 7/8"	38 7/8"
24"	24"	31"	41"
27"	24"	33 1/8"	43 1/8"
30"	24"	35 1/4"	45 1/4"
33"	24"	37 3/8"	47 3/8"
36"	24"	39 1/2"	49 1/2"
39"	24"	41 5/8"	51 5/8"
42"	24"	43 3/4"	53 3/4"
45"	24"	45 7/8"	55 7/8"
48"	24"	48"	58"

Notes

Tall Cabinets

Construction Options and Modifications

PS	18	24	84
code	width	depth	height

- ❖ Included as standard
- Available with an upcharge
- ☆ Available with exceptions
- (Blank) **Not** available

- PE Plywood Ends
- APC All Plywood Construction
- APFC All Plywood Furniture Construction
- FPEB Furniture Plywood Ends
- MI Matching Interior
- DE Integrated Decorative End
- OE Operational End
- AD_E Attached Decorative End
- CW Change Width
- RD Reduced Depth
- ID Increased Depth
- CH Change Height
- IF Inverted Frame
- WR Wide Bottom Rail
- XS Extended Stile
- GD Glass Doors
- RTK Recessed Toe Kick
- VTK Void Toe Kick
- TKD Toe Kick Drawer

Note: Standard tall cabinet box depth is 12" or 24" unless stated otherwise. Add door thickness with bumpers for total depth.

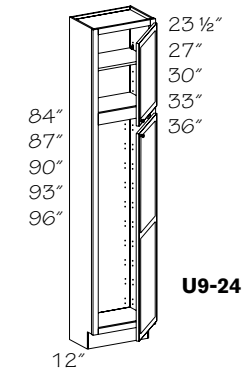
When BUTT is in all capitals, it **must** be included as part of your ordering nomenclature. A (Butt) in parentheses is for your information and isn't required on an order form.

Material dimensions listed may vary slightly from actual dimensions of the product.

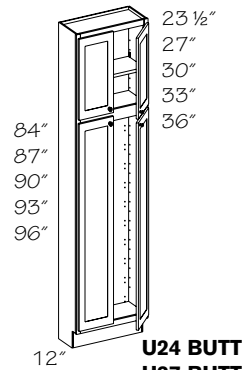
Specifications subject to change without notice.

Note: Remember to remove the white plastic "feet" from the bottom of all tall cabinets before installation. Their sole purpose is to protect the floor after the cabinets are unboxed. Leaving them on will result in uneven installation.

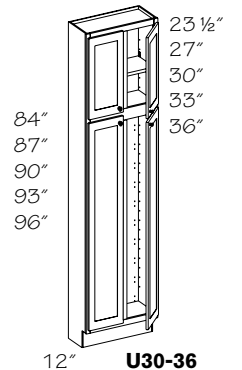
Utility Cabinets 12" Deep



U9-24



U24 BUTT - U27 BUTT



U30-36
with 3" center stile

- | 84" High | 90" High | 96" High |
|-------------------------|-------------------------|-------------------------|
| ❖+ U91284 R or L | ❖+ U91290 R or L | ❖+ U91296 R or L |
| ● U121284 R or L | ● U121290 R or L | ● U121296 R or L |
| ● U151284 R or L | ● U151290 R or L | ● U151296 R or L |
| ● U181284 R or L | ● U181290 R or L | ● U181296 R or L |
| ● U211284 R or L | ● U211290 R or L | ● U211296 R or L |
| ● U241284 R or L | ● U241290 R or L | ● U241296 R or L |
| ○ U241284 BUTT | ○ U241290 BUTT | ○ U241296 BUTT |
| ● U271284 (Butt) | ● U271290 (Butt) | ● U271296 (Butt) |
| ◆ U301284 | ◆ U301290 | ◆ U301296 |
| ◆ U301284 BUTT | ◆ U301290 BUTT | ◆ U301296 BUTT |
| ◆ U331284 | ◆ U331290 | ◆ U331296 |
| ◆ U331284 BUTT | ◆ U331290 BUTT | ◆ U331296 BUTT |
| ◆ U361284 | ◆ U361290 | ◆ U361296 |
| ◆ U361284 BUTT | ◆ U361290 BUTT | ◆ U361296 BUTT |
| 87" High | 93" High | |
| ❖+ U91287 R or L | ❖+ U91293 R or L | |
| ● U121287 R or L | ● U121293 R or L | |
| ● U151287 R or L | ● U151293 R or L | |
| ● U181287 R or L | ● U181293 R or L | |
| ● U211287 R or L | ● U211293 R or L | |
| ● U241287 R or L | ● U241293 R or L | |
| ○ U241287 BUTT | ○ U241293 BUTT | |
| ● U271287 (Butt) | ● U271293 (Butt) | |
| ◆ U301287 | ◆ U301293 | |
| ◆ U301287 BUTT | ◆ U301293 BUTT | |
| ◆ U331287 | ◆ U331293 | |
| ◆ U331287 BUTT | ◆ U331293 BUTT | |
| ◆ U361287 | ◆ U361293 | |
| ◆ U361287 BUTT | ◆ U361293 BUTT | |

- * Doors are square except full overlay arched door styles. Thermofoil doors will always be square. Vega doors will have a solid, recessed flat panel
- Change Width (CW) option **not** available
- + Glass door option **not** available
- ◆ 3" center stile

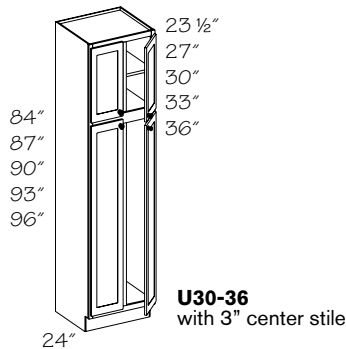
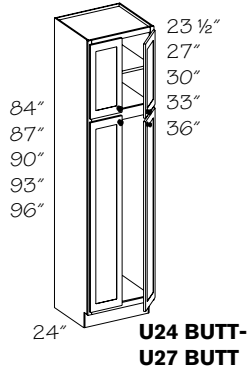
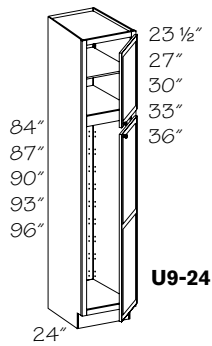
- Specify R or L for single door hinging
- Includes adjustable shelves in upper section: 84" & 87" high—one shelf; 90" & 93" high—two shelves; 96" high—three shelves
- No center rail for Bristow, Caparo, Carlin, Coleson, Fallon, Gallina, Glencoe, Hadley, Hincley, Hurley, Jade, Jarvis, Jennings, Ladon, Maxum, Rathbun, Riverside, Saline, Sawyer, Temorah, Vega and Winterport door styles or doors with glass inserts
- Toe kick is shipped separately on 93" & 96" high cabinets
- ☆ Wide Bottom Rail (WR) and Recessed Toe Kick (RTK) **not** available on 93" & 96" high cabinets
- ☆ Void Toe Kick (VTK) is **not** available on 93" and 96" high cabinets
- ☆ When Inverted Frame (IF) is chosen in arched door styles, U18, U24, U24BUTT and U36, cabinets will have arched doors. All other cabinet sizes will be supplied with square doors
- ☆ Operational End (OE) is **not** available with Reduced Depth (RD) option
- ☆ Glass on top and bottom - select glass designs only
- **Note:** Shelf Kit (SK) for lower section **must** be ordered separately; see Shelving section



Remember to order a 3/16" skin (WSK) for the exposed ends of 93" & 96" high cabinets to conceal the seam between the loose toe kick and the cabinet.

- PE
- APC
- APFC
- FPEB
- MI
- DE
- OE
- AD_E
- ☆ CW
- ☆ RD
- ID
- CH
- ☆ IF
- ☆ WR
- XS
- ☆ GD
- ☆ RTK
- ☆ VTK
- TKD

Utility Cabinets 24" Deep



84" High		93" High	
*○▲†	U92484 R or L	*○▲	U92493 R or L
	U122484 R or L		U122493 R or L
	U152484 R or L		U152493 R or L
	U182484 R or L		U182493 R or L
	U212484 R or L		U212493 R or L
	U242484 R or L		U242493 R or L
○	U242484 BUTT	○	U242493 BUTT
	U272484 (Butt)		U272493 (Butt)
◆	U302484	◆	U302493
	U302484 BUTT		U302493 BUTT
◆	U332484	◆	U332493
	U332484 BUTT		U332493 BUTT
◆	U362484	◆	U362493
	U362484 BUTT		U362493 BUTT
87" High		96" High	
*○▲†	U92487 R or L	*○▲	U92496 R or L
	U122487 R or L		U122496 R or L
	U152487 R or L		U152496 R or L
	U182487 R or L		U182496 R or L
	U212487 R or L		U212496 R or L
	U242487 R or L		U242496 R or L
○	U242487 BUTT	○	U242496 BUTT
	U272487 (Butt)		U272496 (Butt)
◆	U302487	◆	U302496
	U302487 BUTT		U302496 BUTT
◆	U332487	◆	U332496
	U332487 BUTT		U332496 BUTT
◆	U362487	◆	U362496
	U362487 BUTT		U362496 BUTT

90" High	
*○▲	U92490 R or L
	U122490 R or L
	U152490 R or L
	U182490 R or L
	U212490 R or L
	U242490 R or L
○	U242490 BUTT
	U272490 (Butt)
◆	U302490
	U302490 BUTT
◆	U332490
	U332490 BUTT
◆	U362490
	U362490 BUTT

* Doors are square except full overlay arched door styles. Thermofoil doors will always be square. Vega doors will have a solid, recessed flat panel

○ Change Width (CW) option *not* available

▲ Glass door option *not* available

† Toe Kick Drawer (TKD) option *not* available

◆ 3" center stile

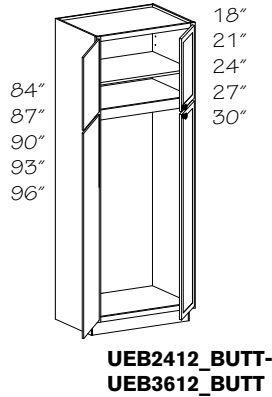
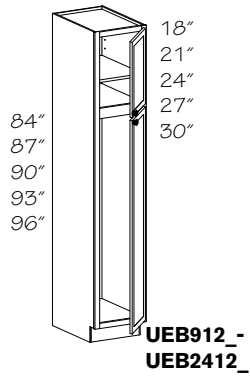
- Specify R or L for single door hinging
- Includes adjustable shelves in upper section: 84" & 87" high—one shelf; 90" & 93" high—two shelves; 96" high—three shelves
- No center rail for Bristow, Caparo, Carlin, Coleson, Fallon, Gallina, Glencoe, Hadley, Hincley, Hurley, Jade, Jarvis, Jennings, Ladon, Maxum, Rathbun, Riverside, Saline, Sawyer, Temorah, Vega and Winterport door styles or doors with glass inserts
- Factory installed Roll-out Trays (ROT) are *not* available on Utility Cabinets wider than 24"
- Toe kick is shipped separately on 93" & 96" high cabinets
- ☆ When Inverted Frame (IF) is chosen in arched door styles, U18, U24, U24BUTT and U36, cabinets will have arched doors. All other cabinet sizes will be supplied with square doors
- ☆ Toe Kick Drawer (TKD), Wide Bottom Rail (WR) and Recessed Toe Kick (RTK) *not* available on 93" & 96" high cabinets
- ☆ Void Toe Kick (VTK) is *not* available on 93" and 96" high cabinets
- ☆ Maximum Increased Depth (ID) is 27"
- ☆ Operational End (OE) is *not* available with Increased Depth (ID) or Reduced Depth (RD) options
- ☆ Glass on top and bottom - select glass designs only
- **Note:** Shelf Kit (SK) for lower section *must* be ordered separately; see Shelving section



Remember to order a 3/16" skin (WSK) for the exposed ends of 93" & 96" high cabinets to conceal the seam between the loose toe kick and the cabinet.

●	PE
●	APC
●	APFC
●	FPEB
●	MI
●	DE
●	OE
●	AD_E
☆	CW
☆	RD
☆	ID
●	CH
☆	IF
☆	WR
☆	XS
☆	GD
☆	RTK
☆	VTK
☆	TKD

Utility Extended Bottom 12" Deep



84" High

UEB121284 R or L
UEB151284 R or L
UEB181284 R or L
UEB211284 R or L
UEB241284 R or L

○ **UEB241284 BUTT**
UEB271284 (Butt)
UEB301284 BUTT
UEB331284 BUTT
UEB361284 BUTT

87" High

UEB121287 R or L
UEB151287 R or L
UEB181287 R or L
UEB211287 R or L
UEB241287 R or L

○ **UEB241287 BUTT**
UEB271287 (Butt)
UEB301287 BUTT
UEB331287 BUTT
UEB361287 BUTT

90" High

UEB121290 R or L
UEB151290 R or L
UEB181290 R or L
UEB211290 R or L
UEB241290 R or L

○ **UEB241290 BUTT**
UEB271290 (Butt)
UEB301290 BUTT
UEB331290 BUTT
UEB361290 BUTT

○ Change Width (CW) option *not* available

93" High

UEB121293 R or L
UEB151293 R or L
UEB181293 R or L
UEB211293 R or L
UEB241293 R or L

○ **UEB241293 BUTT**
UEB271293 (Butt)
UEB301293 BUTT
UEB331293 BUTT
UEB361293 BUTT

96" High

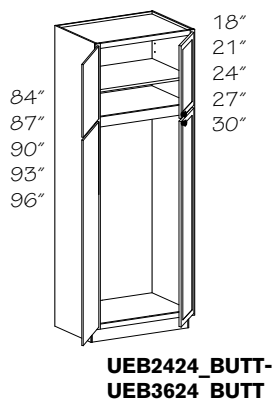
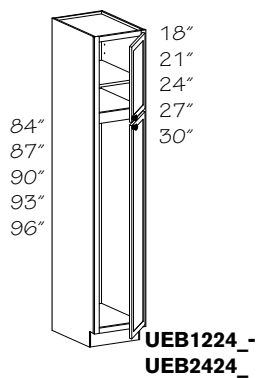
UEB121296 R or L
UEB151296 R or L
UEB181296 R or L
UEB211296 R or L
UEB241296 R or L

○ **UEB241296 BUTT**
UEB271296 (Butt)
UEB301296 BUTT
UEB331296 BUTT
UEB361296 BUTT

- Specify R or L for single door hinging
- ☆ Change Height (CH) modifications will be made in the upper section
- Includes adjustable shelves in upper section: 87" & 90" high-one shelf; 93" & 96" high-two shelves. (No shelf in upper section of 84" High)
- Deluxe Roll-out Trays available
- No center rail for Bristow, Caparo, Carlin, Coleson, Fallon, Gallina, Glencoe, Hadley, Hurley, Jade, Jarvis, Jennings, Ladon, Maxum, Rathbun, Riverside, Saline, Sawyer, Temorah, Vega and Winterport door styles or doors with glass inserts
- *Not* available in Hincley door styles
- Toe kick is shipped separately on 93" & 96" high cabinets
- Wide Bottom Rail (WR) and Recessed Toe Kick (RTK) *not* available on 93" & 96" high cabinets
- Operational End (OE) is *not* available with Reduced Depth (RD) option
- *Note:* Shelf Kit (SK) for lower section *must* be ordered separately; see Shelving section

●	PE
●	APC
●	APFC
●	FPEB
●	MI
●	DE
☆	OE
●	AD_E
☆	CW
●	RD
●	ID
☆	CH
●	IF
☆	WR
●	XS
●	GD
☆	RTK
●	VTK
●	TKD

Utility Extended Bottom 24" Deep



84" High

- UEB122484 R or L
- UEB152484 R or L
- UEB182484 R or L
- UEB212484 R or L
- UEB242484 R or L
- UEB242484 BUTT
- UEB272484 (Butt)
- UEB302484 BUTT
- UEB332484 BUTT
- UEB362484 BUTT

87" High

- UEB122487 R or L
- UEB152487 R or L
- UEB182487 R or L
- UEB212487 R or L
- UEB242487 R or L
- UEB242487 BUTT
- UEB272487 (Butt)
- UEB302487 BUTT
- UEB332487 BUTT
- UEB362487 BUTT

90" High

- UEB122490 R or L
- UEB152490 R or L
- UEB182490 R or L
- UEB212490 R or L
- UEB242490 R or L
- UEB242490 BUTT
- UEB272490 (Butt)
- UEB302490 BUTT
- UEB332490 BUTT
- UEB362490 BUTT

93" High

- UEB122493 R or L
- UEB152493 R or L
- UEB182493 R or L
- UEB212493 R or L
- UEB242493 R or L
- UEB242493 BUTT
- UEB272493 (Butt)
- UEB302493 BUTT
- UEB332493 BUTT
- UEB362493 BUTT

96" High

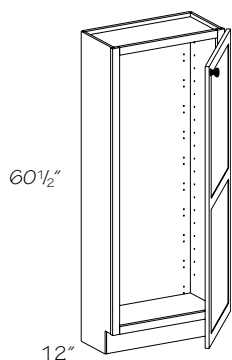
- UEB122496 R or L
- UEB152496 R or L
- UEB182496 R or L
- UEB212496 R or L
- UEB242496 R or L
- UEB242496 BUTT
- UEB272496 (Butt)
- UEB302496 BUTT
- UEB332496 BUTT
- UEB362496 BUTT

- Specify R or L for single door hinging
- ☆ Change Height (CH) modifications will be made in the upper section
- Includes adjustable shelves in upper section: 87" & 90" high-one shelf; 93" & 96" high-two shelves. (No shelf in upper section of 84" High)
- Deluxe Roll-out Trays available
- No center rail for Bristow, Caparo, Carlin, Coleson, Fallon, Gallina, Glencoe, Hadley, Hurley, Jade, Jarvis, Jennings, Ladon, Maxum, Rathbun, Riverside, Saline, Sawyer, Temorah, Vega and Winterport door styles or doors with glass inserts
- **Not** available in Hincley door styles
- Toe kick is shipped separately on 93" & 96" high cabinets
- ☆ Toe Kick Drawer (TKD), Wide Bottom Rail (WR) and Recessed Toe Kick (RTK) **not** available on 93" & 96" high cabinets
- Maximum Increased Depth (ID) is 27"
- Operational End (OE) is **not** available with Increased Depth (ID) or Reduced Depth (RD) options
- **Note:** Shelf Kit (SK) for lower section **must** be ordered separately; see Shelving section
- **Note:** for 24" Deep Cabinets: Factory Installed Roll-Out Trays (DXROT) are **not** available on Utility Cabinets wider than 24"

○ Change Width (CW) option **not** available

●	PE
●	APC
●	APFC
●	FPEB
●	MI
●	DE
☆	OE
●	AD_E
☆	CW
●	RD
☆	ID
☆	CH
	IF
☆	WR
●	XS
●	GD
☆	RTK
	VTK
☆	TKD

Utility Cabinets 60 1/2" High 12" Deep



Single Door

- *○■ U91260 R or L
- U121260 R or L
- U151260 R or L
- U181260 R or L
- U211260 R or L
- U241260 R or L

Double Door

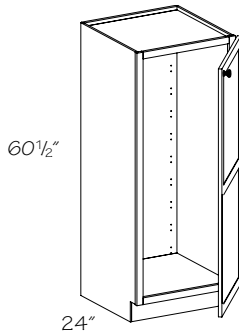
- U241260 BUTT
- U271260 (Butt)
- ◆ U301260
- U301260 BUTT
- ◆ U331260
- U331260 BUTT
- ◆ U361260
- U361260 BUTT

- Change Width (CW) option **not** available
- Glass door option **not** available
- ◆ 3" center stile
- * Vega doors will have a solid, recessed flat panel

- Specify R or L for single door hinging
- No shelf
- Shelf Kit (SK) **must** be ordered separately; see Shelving section
- All door styles furnished square
- No center rail for Caparo, Glencoe, Hadley, Rathbun, Saline, Winterport Square, Winterport Arch door styles or doors with glass inserts
- ☆ Operational End (OE) is **not** available with Increased Depth (ID) or Reduced Depth (RD) options

●	PE
●	APC
●	APFC
●	FPEB
●	MI
●	DE
●	OE
●	AD_E
☆	CW
☆	RD
	ID
	CH
	IF
●	WR
●	XS
☆	GD
●	RTK
●	VTK
	TKD

Utility Cabinets 60 1/2" High 24" Deep



Single Door	Double Door
*○†■ U92460 R or L	○ U242460 BUTT
U122460 R or L	U272460 (Butt)
U152460 R or L	◆ U302460
U182460 R or L	U302460 BUTT
U212460 R or L	◆ U332460
U242460 R or L	U332460 BUTT
	◆ U362460
	U362460 BUTT

- Change Width (CW) option *not* available
- † Toe Kick Drawer (TKD) option *not* available
- Glass door option *not* available
- ◆ 3" center stile
- * Vega doors will have a solid, recessed flat panel

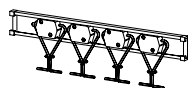
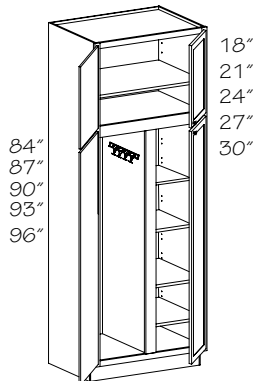
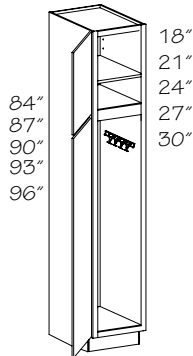
- Specify R or L for single door hinging
- No shelf
- Shelf Kit (SK) *must* be ordered separately; see Shelving section
- All door styles furnished square
- No center rail for Caparo, Glencoe, Hadley, Rathbun, Saline, Winterport Square, Winterport Arch door styles or doors with glass inserts
- Factory installed Roll-out Trays (ROT) are *not* available on Utility Cabinets wider than 24"
- ☆ Maximum Increased Depth (ID) is 27"
- ☆ Operational End (OE) is *not* available with Increased Depth (ID) or Reduced Depth (RD) options



Remember to attach a Mullion Strip Utility Bottom (MSUB) to tall cabinets 30" or wider when planning to field install roll-out trays. This will remove the center stile and replace it with a mullion strip on the left door.

● PE
● APC
● APFC
● FPFB
● MI
● DE
● AD_E
☆ CW
☆ RD
☆ ID
CH
IF
● WR
● XS
☆ GD
☆ RTK
● VTK
☆ TKD

Utility Cleaning Cabinet 24" Deep



BMHK

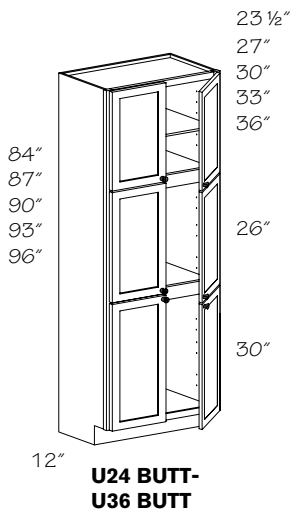
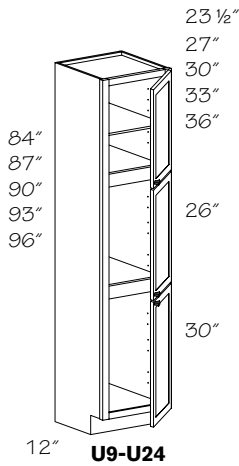
84" High	93" High
*◆○ UCC152484 R or L	*◆○ UCC152493 R or L
*◆ UCC182484 R or L	*◆ UCC182493 R or L
*◆ UCC212484 R or L	*◆ UCC212493 R or L
○ UCC242484 BUTT	○ UCC242493 BUTT
UCC302484 BUTT	UCC302493 BUTT
UCC332484 BUTT	UCC332493 BUTT
UCC362484 BUTT	UCC362493 BUTT
87" High	96" High
*◆○ UCC152487 R or L	*◆○ UCC152496 R or L
*◆ UCC182487 R or L	*◆ UCC182496 R or L
*◆ UCC212487 R or L	*◆ UCC212496 R or L
○ UCC242487 BUTT	○ UCC242496 BUTT
UCC302487 BUTT	UCC302496 BUTT
UCC332487 BUTT	UCC332496 BUTT
UCC362487 BUTT	UCC362496 BUTT
90" High	Broom Hook Replacement
*◆○ UCC152490 R or L	BMHK
*◆ UCC182490 R or L	
*◆ UCC212490 R or L	
○ UCC242490 BUTT	
UCC302490 BUTT	
UCC332490 BUTT	
UCC362490 BUTT	

- * Operational End (OE) available on the hinge side of the cabinet only
- ◆ Integrated Decorative End (DE) available on the hinge side of the cabinet only
- Change Width (CW) option *not* available

- Specify R or L for single door hinging
- ☆ Change Height (CH) modifications will be made in the upper section
- ☆ Toe Kick Drawer (TKD), Void Toe Kick (VTK), Wide Bottom Rail (WR) and Recessed Toe Kick (RTK) *not* available on 93" & 96" high cabinets
- Single door cabinets: Broom hooks supplied on the end panel opposite the hinged side
- Double door cabinets: Broom hooks supplied on the center divider. Shelves right side, broom hooks left side
- Shelves shipped with cabinet
- Includes adjustable shelves in upper section: 87" & 90" high-one shelf; 93" & 96" high-two shelves. (No shelf in upper section of 84" High)
- Deluxe Rollout Trays available as field installed for double door cabinets (right side only) except for 33" wide unit
- No center rail for Bristow, Caparo, Carlin, Coleson, Fallon, Gallina, Glencoe, Hadley, Hurley, Jade, Jarvis, Jennings, Ladon, Maxum, Rathbun, Riverside, Saline, Sawyer, Temorah, Vega and Winterport door styles or doors with glass inserts
- *Not* available in Hincley door styles
- Toe kick is shipped separately on 93" & 96" high cabinets
- ☆ Maximum Increased Depth (ID) is 27"
- ☆ Minimum Reduced Depth (RD) is 21"
- ☆ Operational End (OE) is *not* available with Increased Depth (ID) or Reduced Depth (RD) options
- Broom Hook (BHMK) also sold individually

● PE
● APC
● APFC
● FPFB
● MI
☆ DE
☆ OE
● AD_E
☆ CW
☆ RD
☆ ID
CH
IF
☆ WR
● XS
● GD
☆ RTK
☆ VTK
☆ TKD

Utility Stack Cabinets 12" Deep



84" High

- *O+ **UST91284 R or L**
- UST121284 R or L**
- UST151284 R or L**
- UST181284 R or L**
- UST211284 R or L**
- UST241284 R or L**
- O **UST241284 BUTT**
- UST271284 (Butt)**
- UST301284 BUTT**
- UST331284 BUTT**
- UST361284 BUTT**

87" High

- *O+ **UST91287 R or L**
- UST121287 R or L**
- UST151287 R or L**
- UST181287 R or L**
- UST211287 R or L**
- UST241287 R or L**
- O **UST241287 BUTT**
- UST271287 (Butt)**
- UST301287 BUTT**
- UST331287 BUTT**
- UST361287 BUTT**

90" High

- *O+ **UST91290 R or L**
- UST121290 R or L**
- UST151290 R or L**
- UST181290 R or L**
- UST211290 R or L**
- UST241290 R or L**
- O **UST241290 BUTT**
- UST271290 (Butt)**
- UST301290 BUTT**
- UST331290 BUTT**
- UST361290 BUTT**

93" High

- *O+ **UST91293 R or L**
- UST121293 R or L**
- UST151293 R or L**
- UST181293 R or L**
- UST211293 R or L**
- UST241293 R or L**
- O **UST241293 BUTT**
- UST271293 (Butt)**
- UST301293 BUTT**
- UST331293 BUTT**
- UST361293 BUTT**

96" High

- *O+ **UST91296 R or L**
- UST121296 R or L**
- UST151296 R or L**
- UST181296 R or L**
- UST211296 R or L**
- UST241296 R or L**
- O **UST241296 BUTT**
- UST271296 (Butt)**
- UST301296 BUTT**
- UST331296 BUTT**
- UST361296 BUTT**

- Specify R or L for single door hinging
- Includes adjustable shelves in upper section: 84" & 87" high—one shelf; 90" & 93" high—two shelves; 96" high—three shelves
- Factory installed Roll-out Trays (ROT) are *not* available on Utility Cabinets wider than 24"
- Toe kick is shipped separately on 93" & 96" high cabinets
- ☆ Wide Bottom Rail (WR) and Recessed Toe Kick (RTK) *not* available on 93" & 96" high cabinets
- ☆ Void Toe Kick (VTK) is *not* available on 93" and 96" high cabinets
- ☆ Change Height (CH) modifications will be made in the upper section
- ☆ Operational End (OE) is *not* available with Reduced Depth (RD) option
- ☆ Glass doors available for top doors only
- ☆ To get glass on center and bottom door, order appropriate replacement door with glass option
- **Note:** Shelf Kits (SK) for center and bottom sections *must* be ordered separately; see Shelving section



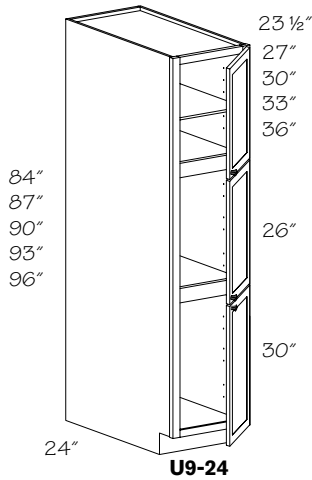
Remember to order a 3/16" skin (WSK) for the exposed ends of 93" & 96" high cabinets to conceal the seam between the loose toe kick and the cabinet.

●	PE
●	APC
●	APFC
●	FPEB
●	MI
●	DE
☆	OE
●	AD_E
☆	CW
●	RD
	ID
☆	CH
	IF
☆	WR
●	XS
☆	GD
☆	RTK
☆	VTK
	TKD

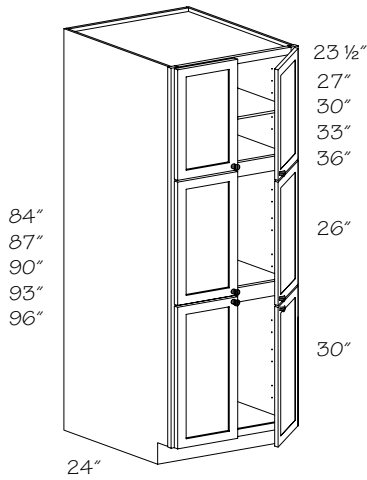
- * Doors are square except full overlay arched door styles. Thermofoil doors will always be square. Vega doors will have a solid, recessed flat panel
- O Change Width (CW) option *not* available
- + Glass door option *not* available
- * Vega doors will have a solid, recessed flat panel

Utility Stack Cabinets 24" Deep

●	PE
●	APC
●	APFC
●	FPEB
●	MI
●	DE
☆	OE
●	AD_E
☆	CW
●	RD
☆	ID
☆	CH
☆	IF
☆	WR
●	XS
☆	GD
☆	RTK
☆	VTK
☆	TKD



U9-24



U24-36

84" High		93" High	
※○▲†	UST92484 R or L	※○▲	UST92493 R or L
	UST122484 R or L		UST122493 R or L
	UST152484 R or L		UST152493 R or L
	UST182484 R or L		UST182493 R or L
	UST212484 R or L		UST212493 R or L
	UST242484 R or L		UST242493 R or L
○	UST242484 BUTT	○	UST242493 BUTT
	UST272484 (Butt)		UST272493 (Butt)
	UST302484 BUTT		UST302493 BUTT
	UST332484 BUTT		UST332493 BUTT
	UST362484 BUTT		UST362493 BUTT
87" High		96" High	
※○▲†	UST92487 R or L	※○▲	UST92496 R or L
	UST122487 R or L		UST122496 R or L
	UST152487 R or L		UST152496 R or L
	UST182487 R or L		UST182496 R or L
	UST212487 R or L		UST212496 R or L
	UST242487 R or L		UST242496 R or L
○	UST242487 BUTT	○	UST242496 BUTT
	UST272487 (Butt)		UST272496 (Butt)
	UST302487 BUTT		UST302496 BUTT
	UST332487 BUTT		UST332496 BUTT
	UST362487 BUTT		UST362496 BUTT
90" High			
※○▲†	UST92490 R or L		
	UST122490 R or L		
	UST152490 R or L		
	UST182490 R or L		
	UST212490 R or L		
	UST242490 R or L		
○	UST242490 BUTT		
	UST272490 (Butt)		
	UST302490 BUTT		
	UST332490 BUTT		
	UST362490 BUTT		

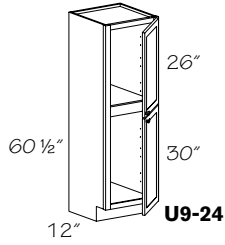
- ※ Doors are square except full overlay arched door styles. Thermofoil doors will always be square. Vega doors will have a solid, recessed flat panel
- Change Width (CW) option *not* available
- ▲ Glass door option *not* available
- † Toe Kick Drawer (TKD) option *not* available

- Specify R or L for single door hinging
- Includes adjustable shelves in upper section: 84" & 87" high—one shelf; 90" & 93" high—two shelves; 96" high—three shelves
- Factory installed Roll-out Trays (ROT) are *not* available on Utility Cabinets wider than 24"
- Toe kick is shipped separately on 93" & 96" high cabinets
- ☆ Toe Kick Drawer (TKD), Wide Bottom Rail (WR) and Recessed Toe Kick (RTK) *not* available on 93" & 96" high cabinets
- ☆ Void Toe Kick (VTK) is *not* available on 93" and 96" high cabinets
- ☆ Change Height (CH) modifications will be made in the upper section
- ☆ Maximum Increased Depth (ID) is 27"
- ☆ Operational End (OE) is *not* available with Reduced Depth (RD) option
- ☆ Glass doors available for top doors only
- To get glass on center and bottom door, order appropriate replacement door with glass option
- **Note:** Shelf Kits (SK) for center and bottom sections *must* be ordered separately; see Shelving section

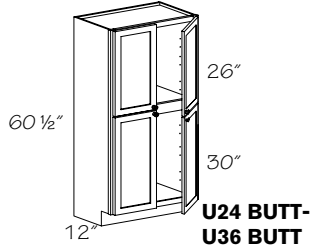


Remember to order a 3/16" skin (WSK) for the exposed ends of 93" & 96" high cabinets to conceal the seam between the loose toe kick and the cabinet.

Utility Stack Cabinets 60 1/2" High 12" Deep



U9-24



**U24 BUTT-
U36 BUTT**

Single Door

- ▲* **UST91260 R or L**
- ▲* **UST121260 R or L**
- ▲* **UST151260 R or L**
- ▲* **UST181260 R or L**
- ▲* **UST211260 R or L**
- ▲* **UST241260 R or L**

Double Door

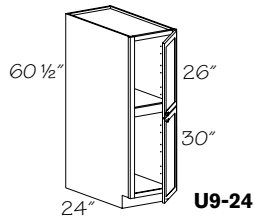
- **UST241260 BUTT**
- **UST271260 (Butt)**
- **UST301260 BUTT**
- **UST331260 BUTT**
- **UST361260 BUTT**

- Change Width (CW) option **not** available
- ▲ Glass door option **not** available
- * Vega doors will have a solid, recessed flat panel

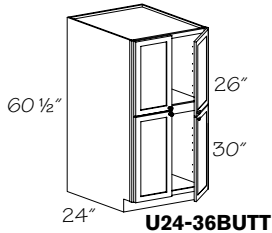
- Specify R or L for single door hinging
- No shelf
- All door styles furnished square
- Factory installed Roll-out Trays (ROT) are **not** available on Utility Cabinets wider than 24"
- ☆ Operational End (OE) is **not** available with Increased Depth (ID) or Reduced Depth (RD) options
- ☆ Glass doors available for top doors only
- **Note:** Shelf Kits (SK) for center and bottom sections **must** be ordered separately; see Shelving section

●	PE
●	APC
●	APFC
●	FPEB
●	MI
●	DE
●	OE
●	AD_E
☆	CW
☆	RD
	ID
	CH
	IF
●	WR
●	XS
☆	GD
●	RTK
●	VTK
	TKD

Utility Stack Cabinets 60 1/2" High 24" Deep



U9-24



U24-36BUTT

Single Door

- †▲* **UST92460 R or L**
- †▲* **UST122460 R or L**
- †▲* **UST152460 R or L**
- †▲* **UST182460 R or L**
- †▲* **UST212460 R or L**
- †▲* **UST242460 R or L**

Double Door

- **UST242460 BUTT**
- **UST272460 (Butt)**
- **UST302460 BUTT**
- **UST332460 BUTT**
- **UST362460 BUTT**

- Change Width (CW) option **not** available
- † Toe Kick Drawer (TKD) option **not** available
- ▲ Glass door option **not** available
- * Vega doors will have a solid, recessed flat panel

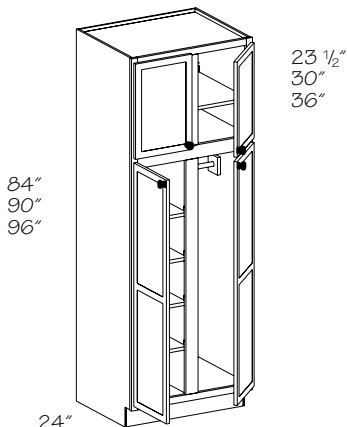
- Specify R or L for single door hinging
- No shelf
- All door styles furnished square
- Factory installed Roll-out Trays (ROT) are **not** available on Utility Cabinets wider than 24"
- ☆ Maximum Increased Depth (ID) is 27"
- ☆ Glass doors available for top doors only
- ☆ Operational End (OE) is **not** available with Increased Depth (ID) or Reduced Depth (RD) options
- **Note:** Shelf Kits (SK) for center and bottom sections **must** be ordered separately; see Shelving section



Remember to attach a Mullion Strip Utility Bottom (MSUB) to tall cabinets 30" or wider when planning to field install roll-out trays. This will remove the center stile and replace it with a mullion strip on the left door.

●	PE
●	APC
●	APFC
●	FPEB
●	MI
●	DE
●	OE
●	AD_E
☆	CW
☆	RD
☆	ID
	CH
	IF
●	WR
●	XS
☆	GD
●	RTK
●	VTK
☆	TKD

Utility Combination—Shelves Left



84" High

- * **UC242484 BUTT.SL**
- * **UC302484 .SL**
- * **UC362484 .SL**

90" High

- * **UC242490 BUTT.SL**
- * **UC302490 .SL**
- * **UC362490 .SL**

96" High

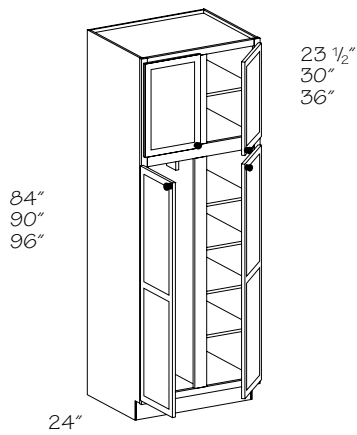
- * **UC242496 BUTT.SL**
- * **UC302496 .SL**
- * **UC362496 .SL**

- * Roll-out Trays (ROT) are **not** available

- Four adjustable shelves and one closet rod included
- Includes adjustable shelves in upper section: 84" high—one shelf; 90" high—two shelves; 96" high—three shelves
- No center rail for Bristow, Caparo, Carlin, Coleson, Fallon, Gallina, Glencoe, Hadley, Hincley, Hurley, Jade, Jarvis, Jennings, Ladon, Maxum, Rathbun, Riverside, Saline, Sawyer, Temorah, Vega and Winterport door styles or doors with glass inserts
- Toe kick is shipped separately on 96" high cabinets
- ☆ Toe Kick Drawer (TKD), Wide Bottom Rail (WR) and Recessed Toe Kick (RTK) **not** available 96" high cabinets
- ☆ VTK is **not** available on 96" H cabinets
- ☆ Maximum Increased Depth (ID) is 27"
- Change Height (CH) modifications will be made in the upper door section
- ☆ Glass on top and bottom - select glass designs only

●	PE
●	APC
●	APFC
●	FPEB
●	MI
●	DE
●	OE
●	AD_E
●	CW
●	RD
☆	ID
●	CH
	IF
☆	WR
●	XS
☆	GD
☆	RTK
☆	VTK
☆	TKD

Utility Combination



84" High

※ **UC242484 BUTT**
UC302484
UC362484

90" High

※ **UC242490 BUTT**
UC302490
UC362490

96" High

※ **UC242496 BUTT**
UC302496
UC362496

※ Roll-out Trays (ROT) are **not** available

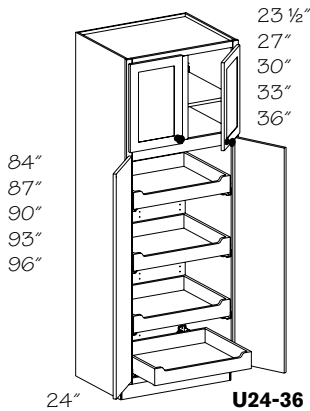
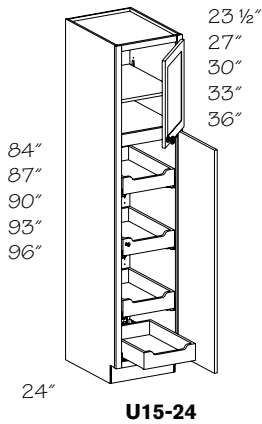
- Four adjustable shelves and one closet rod included
- Includes adjustable shelves in upper section: 84" high—one shelf; 90" high—two shelves; 96" high—three shelves
- No center rail for Bristow, Caparo, Carlin, Coleson, Fallon, Gallina, Glencoe, Hadley, Hincley, Hurley, Jade, Jarvis, Jennings, Ladon, Maxum, Rathbun, Riverside, Saline, Sawyer, Temorah, Vega and Winterport door styles or doors with glass inserts
- Toe kick is shipped separately on 96" high cabinets
- ☆ WR and RTK **not** available 96" high cabinets
- ☆ VTK is **not** available on 96" H cabinets
- ☆ Maximum Increased Depth (ID) is 27"
- Change Height (CH) modifications will be made in the upper door section
- ☆ Glass on top and bottom - select glass designs only



Remember to order a 3/16" skin (WSK) for the exposed ends of 93" & 96" high cabinets to conceal the seam between the loose toe kick and the cabinet.

●	PE
●	APC
●	APFC
●	FPEB
●	MI
	DE
	OE
●	AD_E
	CW
●	RD
☆	ID
●	CH
	IF
☆	WR
●	XS
☆	GD
☆	RTK
☆	VTK
	TKD

Utility Deluxe Dovetailed Roll-out Tray



84" High

U152484 R or L.4DXROT

U182484 R or L.4DXROT

U212484 R or L.4DXROT

U242484 R or L.4DXROT

○ **U242484 BUTT.4DXROT**

U272484 (Butt).4DXROT

U302484 BUTT.4DXROT

U332484 BUTT.4DXROT

U362484 BUTT.4DXROT

87" High

U152487 R or L.4DXROT

U182487 R or L.4DXROT

U212487 R or L.4DXROT

U242487 R or L.4DXROT

○ **U242487 BUTT.4DXROT**

U272487 (Butt).4DXROT

U302487 BUTT.4DXROT

U332487 BUTT.4DXROT

U362487 BUTT.4DXROT

90" High

U152490 R or L.4DXROT

U182490 R or L.4DXROT

U212490 R or L.4DXROT

U242490 R or L.4DXROT

○ **U242490 BUTT.4DXROT**

U272490 (Butt).4DXROT

U302490 BUTT.4DXROT

U332490 BUTT.4DXROT

U362490 BUTT.4DXROT

93" High

U152493 R or L.4DXROT

U182493 R or L.4DXROT

U212493 R or L.4DXROT

U242493 R or L.4DXROT

○ **U242493 BUTT.4DXROT**

U272493 (Butt).4DXROT

U302493 BUTT.4DXROT

U332493 BUTT.4DXROT

U362493 BUTT.4DXROT

96" High

U152496 R or L.4DXROT

U182496 R or L.4DXROT

U212496 R or L.4DXROT

U242496 R or L.4DXROT

○ **U242496 BUTT.4DXROT**

U272496 (Butt).4DXROT

U302496 BUTT.4DXROT

U332496 BUTT.4DXROT

U362496 BUTT.4DXROT

○ Change Width (CW) option *not* available

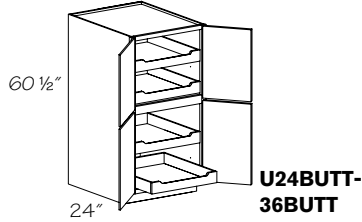
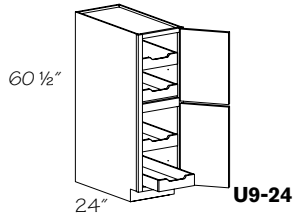
- Specify R or L for single door hinging
- Four adjustable Roll-out Trays (ROT) included in lower section
- Includes adjustable shelves in upper section: 84" & 87" high—one shelf; 90" & 93" high—two shelves; 96" high—three shelves
- No center rail for Bristow, Caparo, Carlin, Coleson, Fallon, Gallina, Glencoe, Hadley, Hincley, Hurley, Jade, Jarvis, Jennings, Ladon, Maxum, Rathbun, Riverside, Saline, Sawyer, Temorah, Vega and Winterport door styles or doors with glass inserts
- Roll-out Trays (ROT) are 4" deep, 5/8" solid wood dovetailed sides with 3/16" plywood bottom, notched front and full extension runners with integrated buffer
- Roll-out Trays (ROT) shipped separately on 27"–36" wide units
- Toe kick is shipped separately on 93" & 96" high cabinets
- ☆ Reduced Depth (RD) available in 18" and 21" depths only
- ☆ Toe Kick Drawer (TKD), Wide Bottom Rail (WR) and Recessed Toe Kick (RTK) *not* available on 93" & 96" high cabinets
- ☆ 27"–36" wide units *not* available with Reduced Depth (RD)
- ☆ Void Toe Kick (VTK) is *not* available on 93" and 96" high cabinets
- ☆ Maximum Increased Depth (ID) is 27". Deluxe Roll-out Trays remain nominally 24" deep
- ☆ Glass on top and bottom - select glass designs only



Remember to order a 3/16" skin (WSK) for the exposed ends of 93" & 96" high cabinets to conceal the seam between the loose toe kick and the cabinet.

●	PE
●	APC
●	APFC
●	FPEB
●	MI
●	DE
●	OE
●	AD_E
☆	CW
☆	RD
☆	ID
●	CH
	IF
☆	WR
●	XS
☆	GD
☆	RTK
☆	VTK
☆	TKD

Utility Stack 60 1/2" High Deluxe Dovetailed Roll-out Tray



- UST152460 R or L.4DXROT**
- UST182460 R or L.4DXROT**
- UST212460 R or L.4DXROT**
- UST242460 R or L.4DXROT**
- **UST242460 BUTT.4DXROT**
- ▲ **UST272460 (Butt).4DXROT**
- ▲ **UST302460 BUTT.4DXROT**
- ▲ **UST332460 BUTT.4DXROT**
- ▲ **UST362460 BUTT.4DXROT**

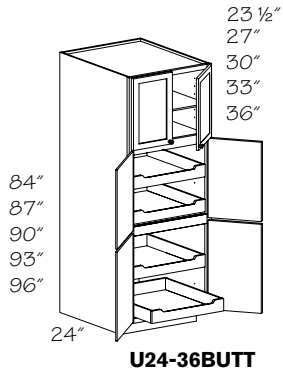
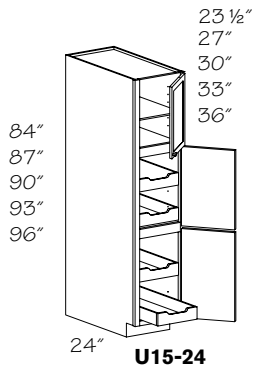
- Change Width (CW) option *not* available
- ▲ Reduced Depth (RD) is *not* available

- Specify R or L for single door hinging
- Two Deluxe Roll-out Trays (DXROT) in bottom section and two Deluxe Roll-out Trays (DXROT) in the center section
- Deluxe Dovetailed Roll-out Trays (DXROT) are 4" deep, 5/8" solid wood dovetailed sides with 3/16" plywood bottom, notched front and full extension runners with integrated buffer
- Roll-out Trays (ROT) shipped separately on 27"-36" wide units
- ☆ Maximum Increased Depth (ID) is 27". Deluxe Roll-out Trays remain nominally 24" deep

●	PE
●	APC
●	APFC
●	FPEB
●	MI
●	DE
●	OE
●	AD_E
☆	CW
☆	RD
☆	ID
●	CH
●	IF
●	WR
●	XS
●	GD
●	RTK
●	VTK
●	TKD

Utility Stack 84"-96" High Deluxe Dovetailed Roll-out Tray

●	PE
●	APC
●	APFC
●	FPEB
●	MI
●	DE
●	OE
●	AD_E
☆	CW
☆	RD
☆	ID
☆	CH
☆	IF
☆	WR
●	XS
☆	GD
☆	RTK
☆	VTK
☆	TKD



84" High

- **UST152484 R or L.4DXROT**
- **UST182484 R or L.4DXROT**
- **UST212484 R or L.4DXROT**
- **UST242484 R or L.4DXROT**
- **UST242484 BUTT.4DXROT**
- ▲ **UST272484 (Butt).4DXROT**
- ▲ **UST302484 BUTT.4DXROT**
- ▲ **UST332484 BUTT.4DXROT**
- ▲ **UST362484 BUTT.4DXROT**

87" High

- **UST152487 R or L.4DXROT**
- **UST182487 R or L.4DXROT**
- **UST212487 R or L.4DXROT**
- **UST242487 R or L.4DXROT**
- **UST242487 BUTT.4DXROT**
- ▲ **UST272487 (Butt).4DXROT**
- ▲ **UST302487 BUTT.4DXROT**
- ▲ **UST332487 BUTT.4DXROT**
- ▲ **UST362487 BUTT.4DXROT**

90" High

- **UST152490 R or L.4DXROT**
- **UST182490 R or L.4DXROT**
- **UST212490 R or L.4DXROT**
- **UST242490 R or L.4DXROT**
- **UST242490 BUTT.4DXROT**
- ▲ **UST272490 (Butt).4DXROT**
- ▲ **UST302490 BUTT.4DXROT**
- ▲ **UST332490 BUTT.4DXROT**
- ▲ **UST362490 BUTT.4DXROT**

93" High

- **UST152493 R or L.4DXROT**
- **UST182493 R or L.4DXROT**
- **UST212493 R or L.4DXROT**
- **UST242493 R or L.4DXROT**
- **UST242493 BUTT.4DXROT**
- ▲ **UST272493 (Butt).4DXROT**
- ▲ **UST302493 BUTT.4DXROT**
- ▲ **UST332493 BUTT.4DXROT**
- ▲ **UST362493 BUTT.4DXROT**

96" High

- **UST152496 R or L.4DXROT**
- **UST182496 R or L.4DXROT**
- **UST212496 R or L.4DXROT**
- **UST242496 R or L.4DXROT**
- **UST242496 BUTT.4DXROT**
- ▲ **UST272496 (Butt).4DXROT**
- ▲ **UST302496 BUTT.4DXROT**
- ▲ **UST332496 BUTT.4DXROT**
- ▲ **UST362496 BUTT.4DXROT**

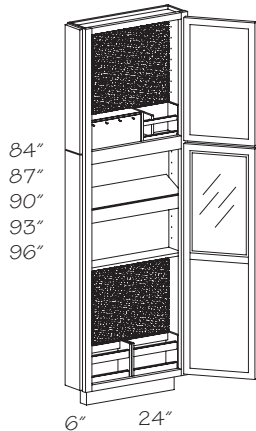
- Change Width (CW) option *not* available
- ▲ Reduced Depth (RD) is *not* available

- Specify R or L for single door hinging
- Includes adjustable shelves in upper section: 84" & 87" high—one shelf; 90" & 93" high—two shelves; 96" high—three shelves
- Deluxe Dovetailed Roll-out Trays (DXROT) are 4" deep, 5/8" solid wood dovetailed sides with 3/16" plywood bottom, notched front and full extension runners with integrated buffer
- Two Deluxe Roll-out Trays (DXROT) in bottom section and two Deluxe Roll-out Trays (DXROT) in the center section
- Roll-out Trays (ROT) shipped separately on 27"-36" wide units
- Factory installed Roll-out Trays (ROT) will be installed in the bottom section up to the maximum number allowed, any remaining trays will be installed in the center section
- Factory installed Roll-out Trays (ROT) are *not* available on Utility Cabinets wider than 24"
- Toe kick is shipped separately on 93" & 96" high cabinets
- ☆ Change Height (CH) modifications will be made in the upper section
- ☆ Glass doors available for top section only
- ☆ Wide Bottom Rail (WR) and Recessed Toe Kick (RTK) *not* available on 93" & 96" high cabinets
- ☆ Toe Kick Drawer (TKD), Wide Bottom Rail (WR) and Recessed Toe Kick (RTK) *not* available on 93" & 96" high cabinets
- ☆ Maximum Increased Depth (ID) is 27". Deluxe Roll-out Trays remain nominally 24" deep



Remember to order a 3/16" skin (WSK) for the exposed ends of 93" & 96" high cabinets to conceal the seam between the loose toe kick and the cabinet.

Utility Message Center

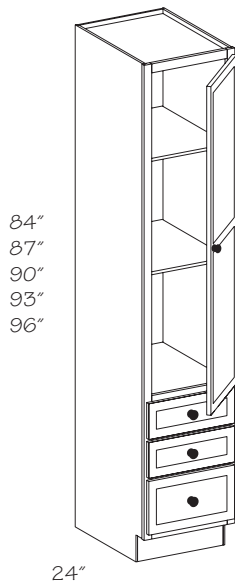


MCU2484 R or L
MCU2487 R or L
MCU2490 R or L
MCU2493 R or L
MCU2496 R or L

- Specify R or L for single door hinging
- Top section features: Key hooks, cork board and organizer unit
- Bottom section features: Dry erase board, cork board, 2 magazine racks, 1 shelf, charging station (two - three-prong and two USB outlets)
- Requires separate power source in bottom section
- Charging station cord is 6 ft. long; power source **must** be within reach
- For use at the end of a cabinet run
- Back of cabinet is unfinished
- Two-piece Tall Filler Overlay (TFOL) supplied; shipped separately
- Toe kick is shipped separately on 93" & 96" high cabinets
- ☆ Void Toe Kick (VTK) is **not** available on 93" and 96" high cabinets

●	PE
●	APC
◆	APFC
●	FPEB
●	MI
●	DE
●	OE
●	AD_E
●	CW
●	RD
●	ID
●	CH
●	IF
☆	WR
●	XS
●	GD
◆	RTK
☆	VTK
●	TKD

Pantry Storage



84" High
PS182484 R or L
PS242484 R or L

○ **PS242484 BUTT**

87" High

▲ **PS182487 R or L**

▲ **PS242487 R or L**

○▲ **PS242487 BUTT**

90" High

PS182490 R or L

PS242490 R or L

○ **PS242490 BUTT**

93" High

▲ **PS182493 R or L**

▲ **PS242493 R or L**

○▲ **PS242493 BUTT**

96" High

PS182496 R or L

PS242496 R or L

○ **PS242496 BUTT**

○ Change Width (CW) option **not** available

▲ **Not** available in Hincley door styles

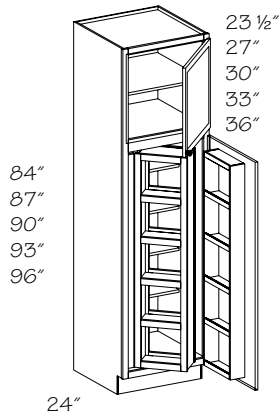
- Specify R or L for single door hinging
- Includes two adjustable shelves in upper section
- Drawer Configuration:
 - 84" high—Three drawers (two standard, one deep) bottom edge of upper door aligns with bottom edge of the top drawer of standard base cabinet
 - 87" high—Three drawers (one standard, two deep). Drawers will **not** align with other base cabinets
 - 90" & 93" high—Four drawers (three standard, one deep) top drawer aligns with top drawer of standard base cabinet
 - 96" high—Five drawers (four standard, one deep) top drawer sets above countertop
- No center rail for Bristow, Caparo, Carlin, Coleson, Fallon, Gallina, Glencoe, Hadley, Hincley, Hurley, Jade, Jarvis, Jennings, Ladon, Maxum, Rathbun, Riverside, Saline, Sawyer, Temorah, Vega and Winterport door styles or doors with glass inserts
- Factory installed Roll-out Trays (ROT) are **not** available
- Toe kick is shipped separately on 93" & 96" high cabinets
- ☆ Toe Kick Drawer (TKD), Wide Bottom Rail (WR) and Recessed Toe Kick (RTK) **not** available on 93" & 96" high cabinets
- ☆ Void Toe Kick (VTK) is **not** available on 93" and 96" high cabinets
- ☆ Maximum Increased Depth (ID) is 27"

●	PE
●	APC
●	APFC
●	FPEB
●	MI
●	DE
●	OE
●	AD_E
☆	CW
●	RD
☆	ID
●	CH
●	IF
☆	WR
●	XS
●	GD
☆	RTK
☆	VTK
☆	TKD



Remember to order a 3/16" skin (WSK) for the exposed ends of 93" & 96" high cabinets to conceal the seam between the loose toe kick and the cabinet.

Multi Storage Pantry 24" Wide



MSP242484 R or L
MSP242487 R or L
MSP242490 R or L
† **MSP242493 R or L**
† **MSP242496 R or L**

† Toe Kick Drawer (TKD) option **not** available

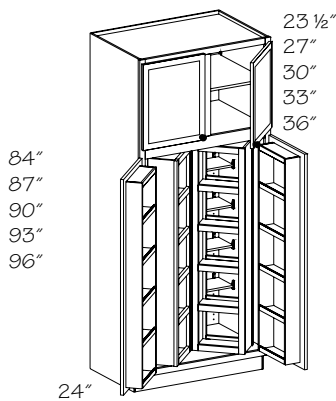


Caution! Cabinetry or other obstacles **cannot** protrude past the face frame on the non-hinged side of the cabinet. **Not** following this rule may result in improper function of the swing out unit

- Specify R or L for single door hinging
- Four 10 7/16" deep adjustable shelves in lower section
- One 4" deep door storage rack with five adjustable shelves
- One 6 1/2" deep double-sided swing-out storage rack with five adjustable shelves
- Includes adjustable shelves in upper section: 84" & 87" high—one shelf; 90" & 93" high—two shelves; 96" high—three shelves
- No center rail for Bristow, Caparo, Carlin, Coleson, Fallon, Gallina, Glencoe, Hadley, Hincley, Hurley, Jade, Jarvis, Jennings, Ladon, Maxum, Rathbun, Riverside, Saline, Sawyer, Temorah, Vega and Winterport door styles or doors with glass inserts
- Toe kick is shipped separately on 93" & 96" high cabinets
- ☆ Toe Kick Drawer (TKD), Wide Bottom Rail (WR) and Recessed Toe Kick (RTK) **not** available on 93" & 96" high cabinets
- ☆ Glass doors available for top doors only
- ☆ Void Toe Kick (VTK) is **not** available on 93" and 96" high cabinets
- **Note:** Swing-out shelves operate within a 90° door opening

●	PE
●	APC
●	APFC
●	FPEB
●	MI
	DE
	OE
●	AD_E
	CW
	RD
	ID
●	CH
	IF
☆	WR
●	XS
☆	GD
☆	RTK
☆	VTK
☆	TKD

Multi Storage Pantry 36" Wide

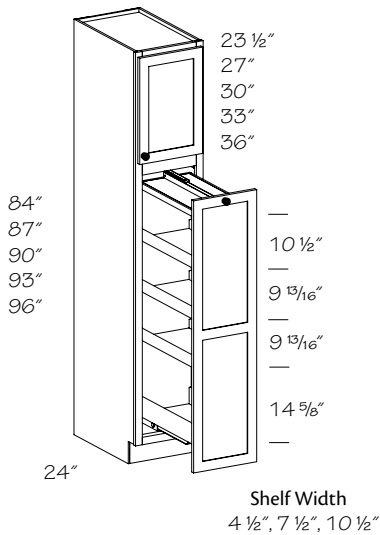


MSP362484
MSP362487
MSP362490
MSP362493
MSP362496

- Eight 7 1/8" deep adjustable shelves in lower section; four on each side of center partition
- Two 4" deep storage racks with five adjustable shelves
- Two 6 1/2" deep double-sided swing-out storage racks with five adjustable shelves
- Includes adjustable shelves in upper section: 84" & 87" high—one shelf; 90" & 93" high—two shelves; 96" high—three shelves
- No center rail for Bristow, Caparo, Carlin, Coleson, Fallon, Gallina, Glencoe, Hadley, Hincley, Hurley, Jade, Jarvis, Jennings, Ladon, Maxum, Rathbun, Riverside, Saline, Sawyer, Temorah, Vega and Winterport door styles or doors with glass inserts
- Toe kick is shipped separately on 93" & 96" high cabinets
- ☆ Wide Bottom Rail (WR) and Recessed Toe Kick (RTK) **not** available on 93" & 96" high cabinets
- ☆ Glass doors available for top doors only
- ☆ Void Toe Kick (VTK) is **not** available on 93" and 96" high cabinets
- **Note:** Swing-out shelves operate within a 90° door opening

●	PE
●	APC
●	APFC
●	FPEB
●	MI
	DE
	OE
	AD_E
	CW
	RD
	ID
●	CH
	IF
☆	WR
●	XS
☆	GD
☆	RTK
☆	VTK
☆	TKD

Tall Pantry Pull-out



- 84" High
 *† **TPP92484 R or L**
TPP122484 R or L
TPP152484 R or L
- 87" High
 † **TPP92487 R or L**
TPP122487 R or L
TPP152487 R or L
- 90" High
 *† **TPP92490 R or L**
TPP122490 R or L
TPP152490 R or L
- 93" High
 †* **TPP92493 R or L**
TPP122493 R or L
TPP152493 R or L
- 96" High
 *† **TPP92496 R or L**
TPP122496 R or L
TPP152496 R or L

* Doors are square except full overlay arched door styles. Thermofoil doors will always be square. Vega doors will have a solid, recessed flat panel

† Toe Kick Drawer (TKD) option **not** available

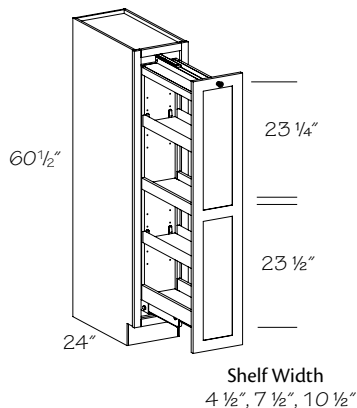
- Specify R or L for single door hinging
 - Two fixed shelves attached to center and bottom of bottom door
 - Two adjustable shelves
 - Pull-out shelves are 21 3/4" deep
 - Includes adjustable shelves in upper section: 84" & 87" high—one shelf; 90" & 93" high—two shelves; 96" high—three shelves
 - Unit slides on full extension side-mount runners
 - Toe kick is shipped separately on 93" & 96" high cabinets
- ☆ WR **not** available on 93" & 96" high cabinets
- ☆ Toe Kick Drawer (TKD) and Void Toe Kick (VTK) option are **not** available on 93" and 96" high cabinets



Remember to order a 3/16" skin (WSK) for the exposed ends of 93" & 96" high cabinets to conceal the seam between the loose toe kick and the cabinet.

●	PE
●	APC
●	APFC
●	FPEB
●	MI
●	DE
●	OE
●	AD_E
●	CW
●	RD
●	ID
●	CH
●	IF
☆	WR
●	XS
●	GD
●	RTK
☆	VTK
☆	TKD

Tall Pantry Pull-out 60 1/2" H



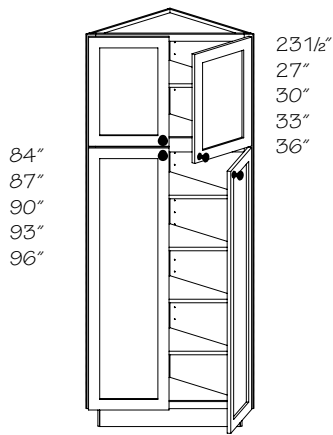
- * **TPP92460**
TPP122460
TPP152460

* Vega doors will have a solid, recessed flat panel

- Two fixed shelves attached to center and bottom of door
- Two adjustable shelves
- Pull-out shelves are 21 3/4" deep
- Unit slides on full extension side-mount runners
- All door styles furnished square
- No center rail for Caparo, Glencoe, Hadley, Rathbun, Saline, Winterport Square, Winterport Arch door styles or doors with glass inserts

●	PE
●	APC
●	APFC
●	FPEB
●	MI
●	DE
●	OE
●	AD_E
●	CW
●	RD
●	ID
●	CH
●	IF
●	WR
●	XS
●	GD
●	RTK
●	VTK
●	TKD

Tall Corner Angle



TCA242484 BUTT
TCA242487 BUTT
TCA242490 BUTT
TCA242493 BUTT
TCA242496 BUTT

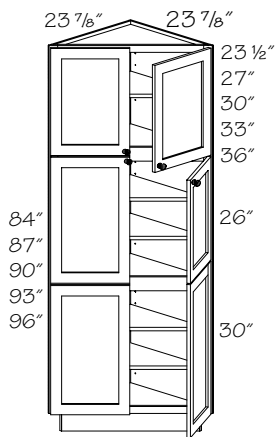
- Includes adjustable shelves in upper section: 84" & 87" high—one shelf; 90" & 93" high—two shelves; 96" high—three shelves
 - Four adjustable bottom shelves; shipped separately
 - No center rail for Bristow, Caparo, Carlin, Coleson, Fallon, Gallina, Glencoe, Hadley, Hincley, Hurley, Jade, Jarvis, Jennings, Ladon, Maxum, Rathbun, Riverside, Saline, Sawyer, Temorah, Vega and Winterport door styles or doors with glass inserts
 - Contrasting Back Options (CBEB, CPLB, CVGR) **not** available
 - Can be installed on either right or left end
 - Toe kick is shipped separately on 93" & 96" high cabinets
 - Replacement shelf available; specify BCAS2424
- ☆ Void Toe Kick (VTK) is **not** available on 93" and 96" high cabinets

●	PE
●	APC
●	APFC
	FPEB
●	MI
	DE
	OE
	AD_E
	CW
	RD
	ID
●	CH
	IF
	WR
	XS
●	GD
	RTK
☆	VTK
	TKD



End panels are unfinished; cabinet is intended to be used with a Utility or Oven Cabinet. A panel **must** be used to cover the exposed side if installing without an adjacent tall cabinet.

Tall Corner Angle Stack



TCAST242484 BUTT
TCAST242487 BUTT
TCAST242490 BUTT
TCAST242493 BUTT
TCAST242496 BUTT

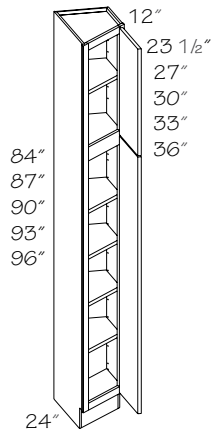
- Includes adjustable shelves in upper section: 84" & 87" high—one shelf; 90" & 93" high—two shelves; 96" high—three shelves
 - Four adjustable bottom shelves; shipped separately
 - Contrasting Back Options (CBEB, CPLB, CVGR) **not** available
 - Can be installed on either right or left end
 - Toe kick is shipped separately on 93" & 96" high cabinets
 - Replacement shelf available; specify BCAS2424
- ☆ Change Height (CH) modifications will be made in the upper section
- ☆ Glass doors available for top section only
- ☆ Void Toe Kick (VTK) is **not** available on 93" and 96" high cabinets

●	PE
●	APC
●	APFC
	FPEB
●	MI
	DE
	OE
	AD_E
	CW
	RD
	ID
☆	CH
	IF
	WR
	XS
☆	GD
	RTK
☆	VTK
	TKD



End panels are unfinished; cabinet is intended to be used with a Utility or Oven Cabinet. A panel **must** be used to cover the exposed side if installing without an adjacent tall cabinet.

Tall End Angle

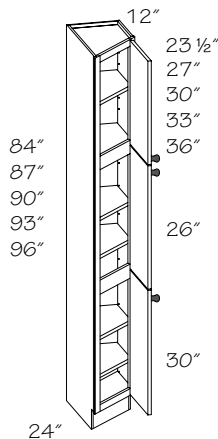


TEA122484 R or L
TEA122487 R or L
TEA122490 R or L
TEA122493 R or L
TEA122496 R or L

- Specify R or L for single door hinging
- Includes adjustable shelves in upper section: 84" & 87" high—one shelf; 90" & 93" high—two shelves; 96" high—three shelves
- Four adjustable bottom shelves; shipped separately
- No center rail for Caparo, Glencoe, Hadley, Rathbun, Saline, Winterport Square, Winterport Arch door styles or doors with glass inserts
- Contrasting Back Options (CBEB, CPLB, CVGR) **not** available
- Toe kick is shipped separately on 93" & 96" high cabinets
- Replacement shelf available specify BEA12 R or L
- ☆ Integrated Decorative Ends available on 12" deep side only
- ☆ Minimum Reduced Depth (RD) is 18"
- ☆ Wide Rail Plain only (WR)
- ☆ Recessed Toe Kick (RTK) available hinge side only
- ☆ Void Toe Kick (VTK) is **not** available on 93" and 96" high cabinets
- **Note:** 24 in. end panels are unfinished; cabinet is intended to be used with a Utility or Oven Cabinet. A panel **must** be used to cover the exposed side if installing without an adjacent tall cabinet. 12 in. deep end panels are finished
- **Note:** Full overlay door styles use a 1/2" overlay hinge

●	PE
●	APC
●	APFC
●	FPEB
●	MI
☆	DE
	OE
●	AD_E
	CW
☆	RD
	ID
●	CH
	IF
☆	WR
	XS
●	GD
☆	RTK
●	VTK
	TKD

Tall End Angle Stack



TEAST122484 R or L
TEAST122487 R or L
TEAST122490 R or L
TEAST122493 R or L
TEAST122496 R or L

- Specify R or L for single door hinging
- Includes adjustable shelves in upper section: 84" & 87" high—one shelf; 90" & 93" high—two shelves; 96" high—three shelves
- Four adjustable bottom shelves; shipped separately
- Contrasting Back Options (CBEB, CPLB, CVGR) **not** available
- Toe kick is shipped separately on 93" & 96" high cabinets
- Replacement shelf available specify BEA12 R or L
- ☆ Integrated Decorative Ends available on 12" deep side only
- ☆ Minimum Reduced Depth (RD) is 18"
- ☆ Wide Rail Plain only (WR)
- ☆ Recessed Toe Kick (RTK) available hinge side only
- ☆ Glass doors available for top section only
- ☆ Change Height (CH) modifications will be made in the upper section
- ☆ Void Toe Kick (VTK) is **not** available on 93" and 96" high cabinets
- **Note:** 24 in. end panels are unfinished; cabinet is intended to be used with a Utility or Oven Cabinet. A panel **must** be used to cover the exposed side if installing without an adjacent tall cabinet. 12 in. deep end panels are finished
- **Note:** Full overlay door styles use a 1/2" overlay hinge

●	PE
●	APC
●	APFC
●	FPEB
●	MI
☆	DE
	OE
●	AD_E
	CW
☆	RD
	ID
☆	CH
	IF
☆	WR
	XS
☆	GD
☆	RTK
●	VTK
	TKD

Tall Appliance Cabinets

Construction Options and Modifications

PE	Plywood Ends
APC	All Plywood Construction
APFC	All Plywood Furniture Construction
FPEB	Furniture Plywood Ends
MI	Matching Interior
AD_E	Attached Decorative End
CW	Change Width
RD	Reduced Depth
ID	Increased Depth
CH	Change Height
IF	Inverted Frame
WR	Wide Bottom Rail
XS	Extended Stile
GD	Glass Doors
RTK	Recessed Toe Kick
VTK	Void Toe Kick
TKD	Toe Kick Drawer

OC	30	24	84
code	width	depth	height

- ❖ Included as standard
- Available with an upcharge
- ☆ Available with exceptions
- (Blank) **Not** available

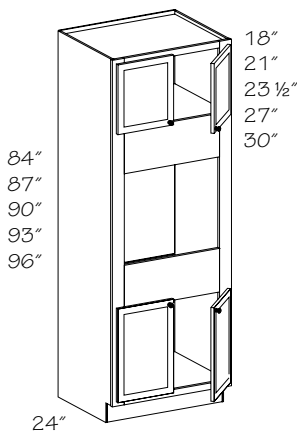
Note: Standard tall cabinet box depth is 12" or 24" unless stated otherwise. Add door thickness with bumpers for total depth.

Material dimensions listed may vary slightly from actual dimensions of the product.

Specifications subject to change without notice.

Note: Remember to remove the white plastic "feet" from the bottom of all tall cabinets before installation. Their sole purpose is to protect the floor after the cabinets are unboxed. Leaving them on will result in uneven installation.

Oven Cabinet—Single w/3" Stiles



- 84" High
 - ※○ **OC242484 (Butt)S**
 - **OC272484 (Butt)S**
 - **OC302484 (Butt)S**
 - **OC312484 (Butt)S**
 - **OC332484 BUTTS**
- 87" High
 - ※○ **OC242487 (Butt)S**
 - **OC272487 (Butt)S**
 - **OC302487 (Butt)S**
 - **OC312487 (Butt)S**
 - **OC332487 BUTTS**
- 90" High
 - ※○ **OC242490 (Butt)S**
 - **OC272490 (Butt)S**
 - **OC302490 (Butt)S**
 - **OC312490 (Butt)S**
 - **OC332490 BUTTS**
- 93" High
 - ※○ **OC242493 (Butt)S**
 - **OC272493 (Butt)S**
 - **OC302493 (Butt)S**
 - **OC312493 (Butt)S**
 - **OC332493 BUTTS**
- 96" High
 - ※○ **OC242496 (Butt)S**
 - **OC272496 (Butt)S**
 - **OC302496 (Butt)S**
 - **OC312496 (Butt)S**
 - **OC332496 BUTTS**

- ※ 1 1/2" stiles
- Change Width (CW) option **not** available

- Includes adjustable shelves in upper section: 84" & 87" high—no shelves; 90" & 93" high—one shelf; 96" high—two shelves
- Factory installed Roll-out Trays (ROT) are **not** available, except OC 24
- Mullion strip oven cabinet (MSOTB) option is available on OC 33_S; see Construction Options section
- Oven Trim Kit (overlay panel) available for a full overlay look; see Tall Accessories section
- ☆ Change Height (CH) modifications will be made in the upper door section, appliance cutout dimensions are **not** affected
- ☆ Toe Kick Drawer (TKD), Wide Bottom Rail (WR) and Recessed Toe Kick (RTK) **not** available on 93" & 96" high cabinets
- ☆ Void Toe Kick (VTK) is **not** available on 93" and 96" high cabinets
- ☆ Glass on top and bottom - select glass designs only
- Roll-out Trays (ROT) are **not** available for 31 1/2" wide cabinets
- ☆ Maximum Increased Depth (ID) is 27"
- Backless construction used in appliance opening area
- **Note:** When ordering glass doors in full overlay door styles, a portion of the 3" face frame will be visible



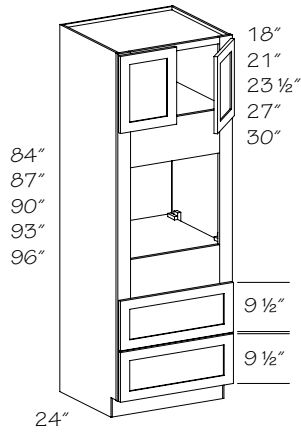
Remember to order a 3/16" skin (WSK) for the exposed ends of 93" & 96" high cabinets to conceal the seam between the loose toe kick and the cabinet.

●	PE
●	APC
●	APFC
●	FPEB
●	MI
●	AD_E
☆	CW
●	RD
☆	ID
☆	CH
☆	IF
☆	WR
●	XS
☆	GD
☆	RTK
☆	VTK
☆	TKD

Cut out dimensions

Cabinet Width	Min. Width	Max. Width	Min. Height	Max. Height
24"	21"	22"	21"	33 13/16"
27"	21"	25"	21"	33 13/16"
30"	24"	28"	21"	33 13/16"
31 1/2"	25 1/2"	29 1/2"	21"	33 13/16"
33"	27"	31"	21"	33 13/16"

Oven Cabinet—Single w/3" Stiles—Two Bottom Drawers



84" High

OC272484 (Butt)S.2D

OC302484 (Butt)S.2D

OC312484 (Butt)S.2D

OC332484 BUTTS.2D

87" High

OC272487 (Butt)S.2D

OC302487 (Butt)S.2D

OC312487 (Butt)S.2D

OC332487 BUTTS.2D

90" High

OC272490 (Butt)S.2D

OC302490 (Butt)S.2D

OC312490 (Butt)S.2D

OC332490 BUTTS.2D

93" High

OC272493 (Butt)S.2D

OC302493 (Butt)S.2D

OC312493 (Butt)S.2D

OC332493 BUTTS.2D

96" High

OC272496 (Butt)S.2D

OC302496 (Butt)S.2D

OC312496 (Butt)S.2D

OC332496 BUTTS.2D

- Includes adjustable shelves in upper section: 84" high—no shelves; 87", 90" & 93" high—one shelf; 96" high—two shelves

- Oven Trim Kit (overlay panel) available for a full overlay look; see Tall Accessories section

- ☆ Change Height (CH) modifications will be made in the upper door section, appliance cutout dimensions are **not** affected

- ☆ Toe Kick Drawer (TKD), Wide Bottom Rail (WR) and Recessed Toe Kick (RTK) **not** available on 93" & 96" high cabinets

- ☆ Void Toe Kick (VTK) is **not** available on 93" and 96" high cabinets

- Roll-out Trays (ROT) are **not** available for 31 1/2" wide cabinets

- ☆ Maximum Increased Depth (ID) is 27"

- ☆ Glass doors available for top doors only

- Backless construction used in appliance opening area

- **Note:** When ordering glass doors in full overlay door styles, a portion of the 3" face frame will be visible



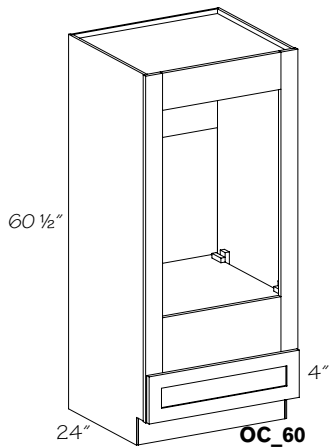
Remember to order a 3/16" skin (WSK) for the exposed ends of 93" & 96" high cabinets to conceal the seam between the loose toe kick and the cabinet.

●	PE
●	APC
●	APFC
●	FPEB
●	MI
●	AD_E
●	CW
●	RD
☆	ID
☆	CH
☆	IF
☆	WR
●	XS
☆	GD
☆	RTK
☆	VTK
☆	TKD

Cut out dimensions

Cabinet Width	Min. Width	Max. Width	Min. Height	Max. Height
27"	21"	25"	21"	33 13/16"
30"	24"	28"	21"	33 13/16"
31 1/2"	25 1/2"	29 1/2"	21"	33 13/16"
33"	27"	31"	21"	33 13/16"

Oven Cabinet—Single Oven/Microwave Combination w/3" Stiles—Bottom Drawer



4" High Drawer

OC272460 (Butt)

OC302460 (Butt)

OC312460 (Butt)

OC332460

7" High Drawer

OC272460 (Butt).DD

OC302460 (Butt).DD

OC312460 (Butt).DD

OC332460 .DD

- No shelf
- Oven Trim Kit (overlay panel) available for a full overlay look; see Tall Accessories section

- Double Oven Opening Kit (DOK) shelf available for two appliance installation; see Tall Accessories section

- ☆ Change Height (CH) modifications will be made in the upper door section, appliance cutout dimensions are **not** affected

- Roll-out Trays (ROT) are **not** available for 31 1/2" wide cabinets

- ☆ Maximum Increased Depth (ID) is 27"

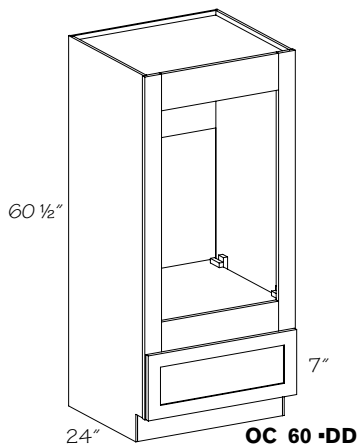
- Backless construction used in appliance opening area



Remember to order a 3/16" skin (WSK) for the exposed ends of 93" & 96" high cabinets to conceal the seam between the loose toe kick and the cabinet.

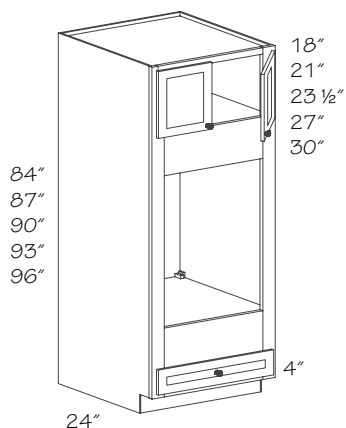
●	PE
●	APC
●	APFC
●	FPEB
●	MI
●	AD_E
◇	CW
●	RD
☆	ID
☆	CH
●	IF
●	WR
●	XS
●	GD
●	RTK
●	VTK
TKD	

Cut out dimensions



Cabinet Width	Min. Width	Max. Width	4" Bottom Drawer		7" Bottom Drawer	
			Min. Height	Max. Height	Min. Height	Max. Height
27"	21"	25"	33 1/2"	44"	34 1/2"	41"
30"	24"	28"	33 1/2"	44"	34 1/2"	41"
31 1/2"	25 1/2"	29 1/2"	33 1/2"	44"	34 1/2"	41"
33"	27"	31"	33 1/2"	44"	34 1/2"	41"

Oven Cabinet—Double w/3" Stiles



- 84" High
 *○ **OC242484 (Butt)D**
OC272484 (Butt)D
OC302484 (Butt)D
OC312484 (Butt)D
OC332484 BUTTD
- 87" High
 *○ **OC242487 (Butt)D**
OC272487 (Butt)D
OC302487 (Butt)D
OC312487 (Butt)D
OC332487 BUTTD
- 90" High
 *○ **OC242490 (Butt)D**
OC272490 (Butt)D
OC302490 (Butt)D
OC312490 (Butt)D
OC332490 BUTTD
- * 1 1/2" stiles
 ○ Change Width (CW) option **not** available

- 93" High
 *○ **OC242493 (Butt)D**
OC272493 (Butt)D
OC302493 (Butt)D
OC312493 (Butt)D
OC332493 BUTTD
- 96" High
 *○ **OC242496 (Butt)D**
OC272496 (Butt)D
OC302496 (Butt)D
OC312496 (Butt)D
OC332496 BUTTD

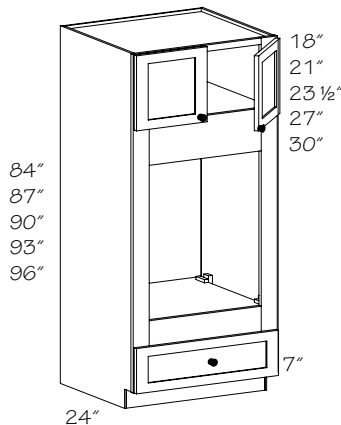
- Includes adjustable shelves in upper section: 84" & 87" high—no shelves; 90" & 93" high—one shelf; 96" high—two shelves
- Oven Trim Kit (overlay panel) available for a full overlay look; see Tall Accessories section
- Double Oven Opening Kit (DOK) shelf available for two appliance installation; see Tall Accessories section
- ☆ Change Height (CH) modifications will be made in the upper door section, appliance cutout dimensions are **not** affected
- ☆ Toe Kick Drawer (TKD), Wide Bottom Rail (WR) and Recessed Toe Kick (RTK) **not** available on 93" & 96" high cabinets
- Toe kick is shipped separately on 93" & 96" high cabinets
- ☆ Void Toe Kick (VTK) is **not** available on 93" and 96" high cabinets
- Roll-out Trays (ROT) are **not** available for 31 1/2" wide cabinets
- Backless construction used in appliance opening area
- ☆ Maximum Increased Depth (ID) is 27"
- **Note:** When ordering glass doors in full overlay door styles, a portion of the 3" face frame will be visible

●	PE
●	APC
●	APFC
●	FPEB
●	MI
●	AD_E
☆	CW
●	RD
☆	ID
☆	CH
☆	IF
☆	WR
●	XS
●	GD
☆	RTK
☆	VTK
☆	TKD

Cut out dimensions

Cabinet Width	Min. Width	Max. Width	Min. Height	Max. Height
24"	21"	22"	36 1/2"	50"
27"	21"	25"	36 1/2"	50"
30"	24"	28"	36 1/2"	50"
31 1/2"	25 1/2"	29 1/2"	36 1/2"	50"
33"	27"	31"	36 1/2"	50"

Oven Cabinet—Double w/3" Stiles—Deep Drawer



- 84" High
OC272484 (Butt)D.DD
OC302484 (Butt)D.DD
OC312484 (Butt)D.DD
OC332484 BUTTD.DD
- 87" High
OC272487 (Butt)D.DD
OC302487 (Butt)D.DD
OC312487 (Butt)D.DD
OC332487 BUTTD.DD
- 90" High
OC272490 (Butt)D.DD
OC302490 (Butt)D.DD
OC312490 (Butt)D.DD
OC332490 BUTTD.DD
- 93" High
OC272493 (Butt)D.DD
OC302493 (Butt)D.DD
OC312493 (Butt)D.DD
OC332493 BUTTD.DD
- 96" High
OC272496 (Butt)D.DD
OC302496 (Butt)D.DD
OC312496 (Butt)D.DD
OC332496 BUTTD.DD

- Includes adjustable shelves in upper section: 84" high—no shelves; 87", 90" & 93" high—one shelf; 96" high—two shelves
- Oven Trim Kit (overlay panel) available for a full overlay look; see Tall Accessories section
- Double Oven Opening Kit (DOK) shelf available for two appliance installation; see Tall Accessories section
- ☆ Change Height (CH) modifications will be made in the upper door section, appliance cutout dimensions are **not** affected
- ☆ Toe Kick Drawer (TKD), Wide Bottom Rail (WR) and Recessed Toe Kick (RTK) **not** available on 93" & 96" high cabinets
- ☆ Void Toe Kick (VTK) is **not** available on 93" and 96" high cabinets
- Roll-out Trays (ROT) are **not** available for 31 1/2" wide cabinets
- ☆ Maximum Increased Depth (ID) is 27"
- ☆ Glass doors available for top doors only
- **Note:** When ordering glass doors in full overlay door styles, a portion of the 3" face frame will be visible
- Backless construction used in appliance opening area

●	PE
●	APC
●	APFC
●	FPEB
●	MI
●	AD_E
●	CW
●	RD
☆	ID
☆	CH
☆	IF
☆	WR
●	XS
☆	GD
☆	RTK
☆	VTK
☆	TKD

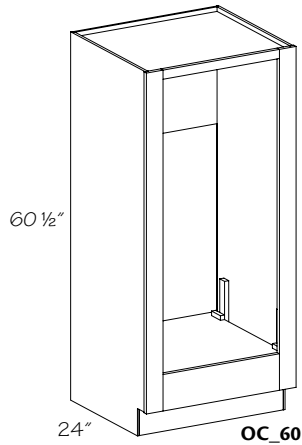
Cut out dimensions

Cabinet Width	Min. Width	Max. Width	Min. Height	Max. Height
27"	21"	25"	36 1/2"	47"
30"	24"	28"	36 1/2"	47"
31 1/2"	25 1/2"	29 1/2"	36 1/2"	47"
33"	27"	31"	36 1/2"	47"



Remember to order a 3/16" skin (WSK) for the exposed ends of 93" & 96" high cabinets to conceal the seam between the loose toe kick and the cabinet.

Oven Cabinet—Double Extended Opening w/3" Stiles



- 60 1/2" High
- ▲◆OC272460 DE
 - ▲◆OC302460 DE
 - ▲◆OC312460 DE
 - ▲◆OC332460 DE

84" High

- OC272484 (Butt)DE
- OC302484 (Butt)DE
- OC312484 (Butt)DE
- OC332484 BUTTDE

87" High

- OC272487 (Butt)DE
- OC302487 (Butt)DE
- OC312487 (Butt)DE
- OC332487 BUTTDE

90" High

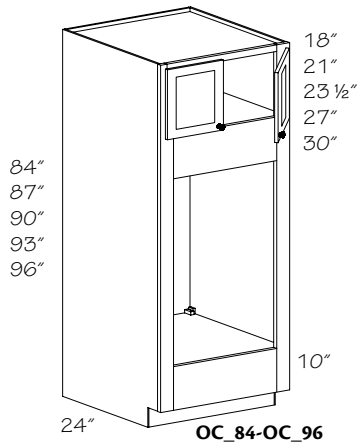
- OC272490 (Butt)DE
- OC302490 (Butt)DE
- OC312490 (Butt)DE
- OC332490 BUTTDE

93" High

- OC272493 (Butt)DE
- OC302493 (Butt)DE
- OC312493 (Butt)DE
- OC332493 BUTTDE

96" High

- OC272496 (Butt)DE
- OC302496 (Butt)DE
- OC312496 (Butt)DE
- OC332496 BUTTDE



- Includes adjustable shelves in upper section: 60", 84" & 87" high—no shelves; 90" & 93" high—one shelf; 96" high—two shelves
- Double Oven Opening Kit (DOK) shelf available for two appliance installation; see Tall Accessories section
- Oven Trim Kit (overlay panel) available for a full overlay look; see Tall Accessories section
- ☆ Change Height (CH) modifications will be made in the upper door section, appliance cutout dimensions are **not** affected
- ☆ Toe Kick Drawer (TKD), Wide Bottom Rail (WR) and Recessed Toe Kick (RTK) **not** available on 93" & 96" high cabinets
- Toe kick is shipped separately on 93" & 96" high cabinets
- ☆ Void Toe Kick (VTK) is **not** available on 93" and 96" high cabinets
- Roll-out Trays (ROT) are **not** available for 31 1/2" wide cabinets
- ☆ Maximum Increased Depth (ID) is 27"
- **Note:** When ordering glass doors in full overlay door styles, a portion of the 3" face frame will be visible
- Backless construction used in appliance opening area



Remember to order a 3/16" skin (WSK) for the exposed ends of 93" & 96" high cabinets to conceal the seam between the loose toe kick and the cabinet.

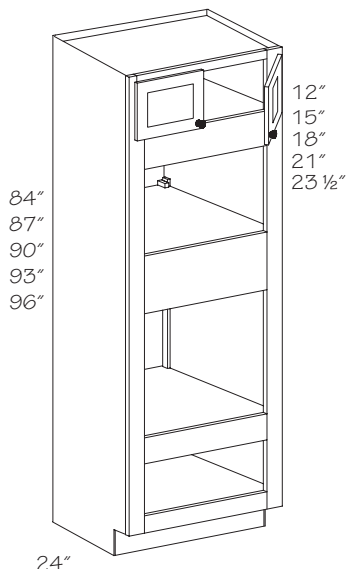
- ▲ Change Top Rail (CTR) is **not** available
- ◆ Glass door option **not** available

Cut out dimensions

Cabinet Width	60" H Cabinet		84"-87" H Cabinet		90"+ H Cabinet	
	Min. Width	Max. Width	Min. Height	Max. Height	Min. Height	Max. Height
27"	21"	25"	48 1/2"	50 1/2"	43"	56 1/2"
30"	24"	28"	48 1/2"	50 1/2"	43"	56 1/2"
31 1/2"	25 1/2"	29 1/2"	48 1/2"	50 1/2"	43"	56 1/2"
33"	27"	31"	48 1/2"	50 1/2"	43"	56 1/2"
39"	33"	37"	48 1/2"	50 1/2"	43"	56 1/2"

●	PE
●	APC
●	APFC
●	FPEB
●	MI
●	AD_E
●	CW
●	RD
☆	ID
☆	CH
☆	IF
☆	WR
●	XS
●	GD
☆	RTK
☆	VTK
☆	TKD

Oven Cabinet-Combination w/3" Stiles



- | | |
|--|---|
| <p>84" High</p> <ul style="list-style-type: none"> □ OC272484 (Butt)C □ OC302484 (Butt)C □ OC312484 (Butt)C □ OC332484 BUTTC <p>87" High</p> <ul style="list-style-type: none"> OC272487 (Butt)C OC302487 (Butt)C OC312487 (Butt)C OC332487 BUTTC <p>90" High</p> <ul style="list-style-type: none"> OC272490 (Butt)C OC302490 (Butt)C OC312490 (Butt)C OC332490 BUTTC | <p>93" High</p> <ul style="list-style-type: none"> OC272493 (Butt)C OC302493 (Butt)C OC312493 (Butt)C OC332493 BUTTC <p>96" High</p> <ul style="list-style-type: none"> OC272496 (Butt)C OC302496 (Butt)C OC312496 (Butt)C OC332496 BUTTC |
|--|---|
- Change Height (CH) option **not** available

- Includes adjustable shelves in upper section: 84", 87" & 90" high—no shelves; 93" & 96" high—one shelf
- Back Options (BEB and VGRB) **not** available
- Contrasting Back Options (CBEB, CPLB, CVGR) **not** available
- Center 10" rail can be removed for double oven application
- ☆ Change Height (CH) modifications will be made in the upper door section, appliance cutout dimensions are **not** affected
- ☆ Toe Kick Drawer (TKD), Wide Bottom Rail (WR) and Recessed Toe Kick (RTK) **not** available on 93" & 96" high cabinets
- Toe kick is shipped separately on 93" & 96" high cabinets
- ☆ Void Toe Kick (VTK) is **not** available on 93" and 96" high cabinets
- Roll-out Trays (ROT) are **not** available for 31 1/2" wide cabinets
- ☆ Maximum Increased Depth (ID) is 27"
- **Note:** When ordering glass doors in full overlay door styles, a portion of the 3" face frame will be visible
- Backless construction used in appliance opening area

PE
● APC
● APFC
❖ FPFB
● MI
● AD_E
● CW
● RD
☆ ID
☆ CH
IF
☆ WR
● XS
● GD
☆ RTK
☆ VTK
☆ TKD

Cut out dimensions

Cabinet Width	Top		Center		Bottom			
	Min. Width	Max. Width	Min. Height	Max. Height	Min. Height	Max. Height		
27"	21"	25"	15"	24 1/2"	21 1/2"	27 1/2"	9"	13 1/2"
30"	24"	28"	15"	24 1/2"	21 1/2"	27 1/2"	9"	13 1/2"
31 1/2"	25 1/2"	29 1/2"	15"	24 1/2"	21 1/2"	27 1/2"	9"	13 1/2"
33"	27"	31"	15"	24 1/2"	21 1/2"	27 1/2"	9"	13 1/2"

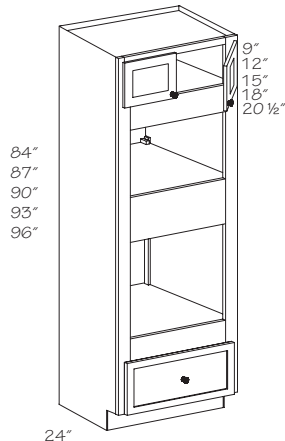


Best used for appliance combinations such as; microwave, single oven, and warming drawer or double oven and warming drawer



Remember to order a 3/16" skin (WSK) for the exposed ends of 93" & 96" high cabinets to conceal the seam between the loose toe kick and the cabinet.

Oven Cabinet-Combination w/Bottom Drawer



- | | |
|--|---|
| <p>84" High</p> <ul style="list-style-type: none"> ■ OC272484 (Butt)C.D ■ OC302484 (Butt)C.D ■ OC312484 (Butt)C.D ■ OC332484 BUTTC.D <p>87" High</p> <ul style="list-style-type: none"> OC272487 (Butt)C.D OC302487 (Butt)C.D OC312487 (Butt)C.D OC332487 BUTTC.D <p>90" High</p> <ul style="list-style-type: none"> OC272490 (Butt)C.D OC302490 (Butt)C.D OC312490 (Butt)C.D OC332490 BUTTC.D | <p>93" High</p> <ul style="list-style-type: none"> OC272493 (Butt)C.D OC302493 (Butt)C.D OC312493 (Butt)C.D OC332493 BUTTC.D <p>96" High</p> <ul style="list-style-type: none"> OC272496 (Butt)C.D OC302496 (Butt)C.D OC312496 (Butt)C.D OC332496 BUTTC.D |
|--|---|
- Change Height (CH) option **not** available

- Includes adjustable shelves in upper section: 84", 87" & 90" high—no shelves; 93" & 96" high—one shelf
- Back Options (BEB and VGRB) **not** available
- Contrasting Back Options (CBEB, CPLB, CVGR) **not** available
- Drawer height is 7"
- Center 10" rail can be removed for double oven application
- ☆ Change Height (CH) modifications will be made in the upper door section, appliance cutout dimensions are **not** affected
- ☆ Toe Kick Drawer (TKD), Wide Bottom Rail (WR) and Recessed Toe Kick (RTK) **not** available on 93" & 96" high cabinets
- Toe kick is shipped separately on 93" & 96" high cabinets
- Void Toe Kick (VTK) is **not** available on 93" and 96" high cabinets
- Roll-out Trays (ROT) are **not** available for 31 1/2" wide cabinets
- Maximum Increased Depth (ID) is 27"
- **Note:** When ordering glass doors in full overlay door styles, a portion of the 3" face frame will be visible
- Backless construction used in appliance opening area

PE
● APC
● APFC
❖ FPFB
● MI
● AD_E
● CW
● RD
● ID
☆ CH
IF
☆ WR
● XS
● GD
☆ RTK
☆ VTK
☆ TKD

Cut out dimensions

Cabinet Width - 84", 87", 90" & 93" High	Top Section				Bottom Section				Bottom Section				
	Min. Width	Max. Width	Min. Height	Max. Height	Max. Trim on Top Rail	Max. Trim on Bottom Rail	Min. Height	Max. Height	Max. Trim on Top & Bottom Rail	Min. Height	Max. Height	Max. Trim on Top Rail	Max. Trim on Bottom Rail
27"	21"	25"	15"	24 1/2"	3 1/2"	6"	21 1/2"	21 1/2"	0	21 1/2"	27 1/2"	6"	0
30"	24"	28"	15"	24 1/2"	3 1/2"	6"	21 1/2"	21 1/2"	0	21 1/2"	27 1/2"	6"	0
31 1/2"	25 1/2"	29 1/2"	15"	24 1/2"	3 1/2"	6"	21 1/2"	21 1/2"	0	21 1/2"	27 1/2"	6"	0
33"	27"	31"	15"	24 1/2"	3 1/2"	6"	21 1/2"	21 1/2"	0	21 1/2"	27 1/2"	6"	0

Cabinet Width - 96" High	Top Section				Bottom Section				Bottom Section				
	Min. Width	Max. Width	Min. Height	Max. Height	Max. Trim on Top Rail	Max. Trim on Bottom Rail	Min. Height	Max. Height	Max. Trim on Top & Bottom Rail	Min. Height	Max. Height	Max. Trim on Top Rail	Max. Trim on Bottom Rail
27"	21"	25"	15"	24"	3"	6"	22"	22"	0	22"	28"	6"	0
30"	24"	28"	15"	24"	3"	6"	22"	22"	0	22"	28"	6"	0
31 1/2"	25 1/2"	29 1/2"	15"	24"	3"	6"	22"	22"	0	22"	28"	6"	0
33"	27"	31"	15"	24"	3"	6"	22"	22"	0	22"	28"	6"	0

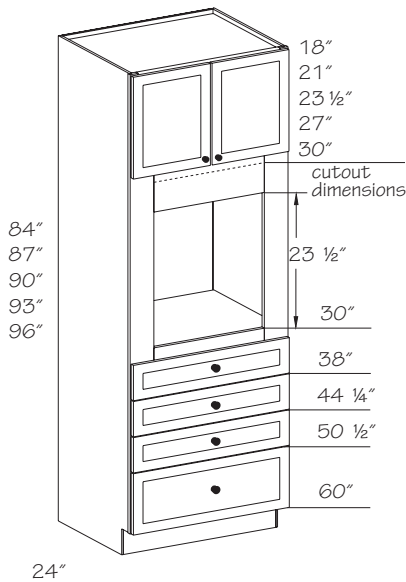


Best used for appliance combinations such as; microwave and single oven.



Remember to order a 3/16" skin (WSK) for the exposed ends of 93" & 96" high cabinets to conceal the seam between the loose toe kick and the cabinet.

Oven Cabinet—Universal



Cut out dimensions

- 84" High
- ◆ OC272484 (Butt)U
 - ▲ OC302484 BUTTU
 - ▲ OC332484 BUTTU
- 87" High
- ◆ OC272487 (Butt)U
 - ▲ OC302487 BUTTU
 - ▲ OC332487 BUTTU
- 90" High
- ◆ OC272490 (Butt)U
 - ▲ OC302490 BUTTU
 - ▲ OC332490 BUTTU
- 93" High
- ◆ OC272493 (Butt)U
 - ▲ OC302493 BUTTU
 - ▲ OC332493 BUTTU
- 96" High
- ◆ OC272496 (Butt)U
 - ▲ OC302496 BUTTU
 - ▲ OC332496 BUTTU
- ◆ 3" stiles
 - ▲ 4 1/2" stiles routed to 1 1/2" in the door area

- Includes adjustable shelves in upper section: 84" & 87" high—no shelves; 90" & 93" high—one shelf; 96" high—two shelves
- Adjustable floor
- Three standard height drawers
- Drawers are removable to accommodate increased oven height
- Oven Trim Kit (overlay panel) available for a full overlay look; see Tall Accessories section
- ☆ Change Height (CH) modifications will be made in the upper door section, appliance cutout dimensions are **not** affected
- ☆ Toe Kick Drawer (TKD), Wide Bottom Rail (WR) and Recessed Toe Kick (RTK) **not** available on 93" & 96" high cabinets
- Toe kick is shipped separately on 93" & 96" high cabinets
- ☆ Void Toe Kick (VTK) is **not** available on 93" and 96" high cabinets
- One deep drawer
- Oven cutout requirements **must** be 1 1/2" less than maximum allowable cutout in order to use Oven Trim Kit (OTK)
- Backless construction used in appliance opening area
- ☆ Maximum Increased Depth (ID) is 27"

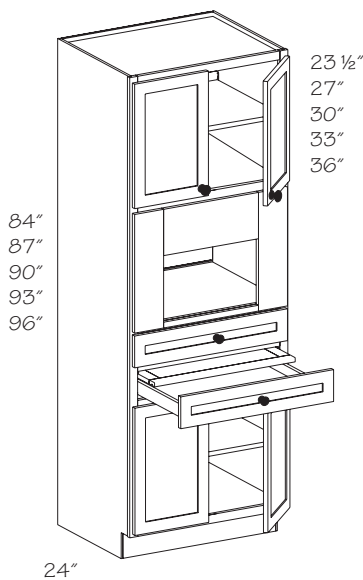
●	PE
●	APC
●	APFC
●	FPEB
●	MI
●	AD_E
●	CW
●	RD
☆	ID
☆	CH
☆	IF
☆	WR
☆	WR
●	XS
●	GD
☆	RTK
☆	VTK
☆	TKD

Cabinet Width	Min. Width	Max. Width	Min. Height	1/2" Overlay	
				Max. Height	Full Overlay
27"	21"	25"	23 1/2"	31"	30"
30"	24"	28"	23 1/2"	31"	30"
33"	27"	31"	23 1/2"	31"	30"



Most major appliance manufacturers will tell you that their 27" wide ovens will fit into a 27" oven cabinet and their 30" wide ovens will fit into a 30" cabinet. In most cases this is true. However, the look this creates may **not** be appealing because the stiles will be concealed by the appliance. To solve this problem, you can order a 30" oven cabinet for a 27" oven and a 33" oven cabinet for a 30" oven, etc.

Microwave Cooking Center



- 84" High
- MCC272484 (Butt)
 - MCC302484 BUTT
- 87" High
- MCC272487 (Butt)
 - MCC302487 BUTT
- 90" High
- MCC272490 (Butt)
 - MCC302490 BUTT
- 93" High
- MCC272493 (Butt)
 - MCC302493 BUTT
- 96" High
- MCC272496 (Butt)
 - MCC302496 BUTT

- One adjustable shelf in lower section
- One standard drawer and one cutting center
- Includes adjustable shelves in upper section: 84" & 87" high—one shelf; 90" & 93" high—two shelves; 96" high—three shelves
- Pull-out cutting board installed
- Top drawer will be slab, including DRPD, except Martel-Full and Rockwell door styles
- ☆ Change Height (CH) modifications will be made in the upper door section, appliance cutout dimensions are **not** affected
- ☆ Toe Kick Drawer (TKD), Wide Bottom Rail (WR) and Recessed Toe Kick (RTK) **not** available on 93" & 96" high cabinets
- ☆ Void Toe Kick (VTK) is **not** available on 93" and 96" high cabinets
- ☆ Glass on top and bottom - select glass designs only
- Toe kick is shipped separately on 93" & 96" high cabinets
- Backless construction used in appliance opening area

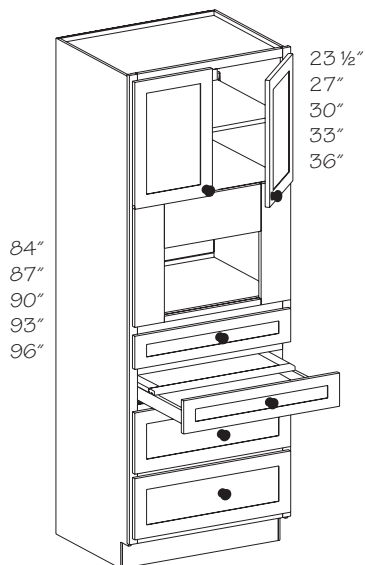
●	PE
●	APC
●	APFC
●	FPEB
●	MI
●	AD_E
●	CW
●	RD
☆	ID
☆	CH
☆	IF
☆	WR
●	XS
●	GD
☆	RTK
☆	VTK
☆	TKD

Cabinet	1/2" Overlay				Full Overlay							
	Cut out dimensions		Yoke sizes		Cut out dimensions		Yoke sizes		Cut out dimensions		Yoke sizes	
	Min. Width	Max. Width	Min. Height	Max. Height	Yoke Width	Yoke Height	Min. Width	Max. Width	Min. Height	Max. Height	Yoke Width	Yoke Height
MCC272484	14"	22"	11 1/2"	17 1/2"	25"	20 1/2"	15 5/8"	23 5/8"	11 5/8"	18 1/8"	26 5/8"	21 1/8"
MCC272487/90/93/96	14"	22"	11"	17"	25"	20"	15 5/8"	23 5/8"	11 3/8"	17 7/8"	26 5/8"	20 7/8"
MCC302484	14"	25"	11 1/2"	17 1/2"	28"	20 1/2"	18 5/8"	26 5/8"	11 5/8"	18 1/8"	29 5/8"	21 1/8"
MCC302487/90/93/96	17"	25"	11"	11"	28"	20"	18 5/8"	26 5/8"	11 3/8"	17 7/8"	29 5/8"	20 7/8"



Remember to order a 3/16" skin (WSK) for the exposed ends of 93" & 96" high cabinets to conceal the seam between the loose toe kick and the cabinet.

Microwave Cooking Center w/Drawer Storage



24"

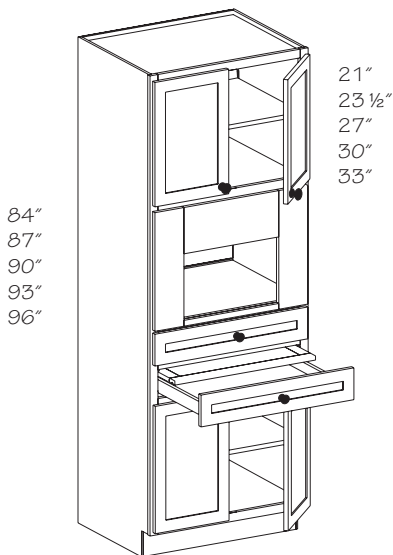
- 84" High
MCCD272484 (Butt)
MCCD302484 BUTT
- 87" High
MCCD272487 (Butt)
MCCD302487 BUTT
- 90" High
MCCD272490 (Butt)
MCCD302490 BUTT
- 93" High
MCCD272493 (Butt)
MCCD302493 BUTT
- 96" High
MCCD272496 (Butt)
MCCD302496 BUTT

- Two 7" deep drawers, one 2 1/4" drawer with Cutting Center (CC) above, and one standard 4" drawer
- Includes adjustable shelves in upper section: 84" & 87" high—one shelf; 90" & 93" high—two shelves; 96" high—three shelves
- ☆ Change Height (CH) modifications will be made in the upper door section, appliance cutout dimensions are **not** affected
- ☆ Toe Kick Drawer (TKD), Wide Bottom Rail (WR) and Recessed Toe Kick (RTK) **not** available on 93" & 96" high cabinets
- ☆ Void Toe Kick (VTK) is **not** available on 93" and 96" high cabinets
- Toe kick is shipped separately on 93" & 96" high cabinets
- Backless construction used in appliance opening area

●	PE
●	APC
●	APFC
●	FPEB
●	MI
●	AD_E
	CW
	RD
	ID
☆	CH
	IF
☆	WR
●	XS
●	GD
☆	RTK
☆	VTK
☆	TKD

Cabinet	1/2" Overlay						Full Overlay					
	Cut out dimensions				Yoke sizes		Cut out dimensions				Yoke sizes	
	Min. Width	Max. Width	Min. Height	Max. Height	Yoke Width	Yoke Height	Min. Width	Max. Width	Min. Height	Max. Height	Yoke Width	Yoke Height
MCCD272484	14"	22"	11 1/2"	17 1/2"	25"	18 1/2"	15 5/8"	23 5/8"	11 5/8"	18 1/8"	26 5/8"	19 1/8"
MCCD272487/90/93/96	14"	22"	11"	17"	25"	18"	15 5/8"	23 5/8"	11 3/8"	17 7/8"	26 5/8"	18 5/8"
MCCD302484	14"	25"	11 1/2"	17 1/2"	28"	18 1/2"	18 5/8"	26 5/8"	11 5/8"	18 1/8"	29 5/8"	19 1/8"
MCCD302487/90/93/96	17"	25"	11"	17"	28"	18"	18 5/8"	26 5/8"	11 3/8"	17 7/8"	29 5/8"	18 5/8"

Microwave Cooking Center—Extended Opening



24"

- Opening Trimmable to: 22" x 21 1/2"
- MCCE272484 (Butt)**
- MCCE272487 (Butt)**
- MCCE272490 (Butt)**
- MCCE272493 (Butt)**
- MCCE272496 (Butt)**
- Opening Trimmable to: 25" x 21 1/2"
- MCCE302484 BUTT**
- MCCE302487 BUTT**
- MCCE302490 BUTT**
- MCCE302493 BUTT**
- MCCE302496 BUTT**



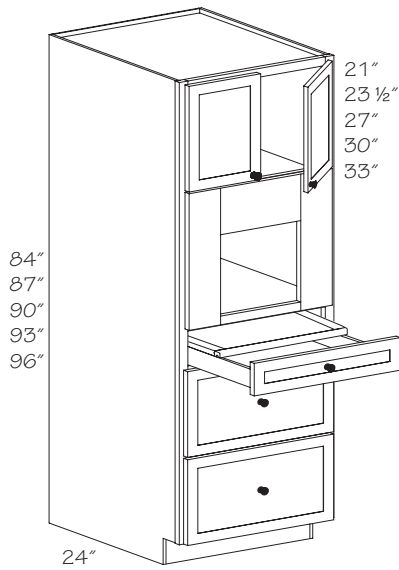
Remember to order a 3/16" skin (WSK) for the exposed ends of 93" & 96" high cabinets to conceal the seam between the loose toe kick and the cabinet.

- One adjustable shelf in lower section
- One standard drawer and one cutting center
- Includes adjustable shelves in upper section: 84" & 87" high—one shelf; 90" & 93" high—two shelves; 96" high—three shelves
- Pull-out cutting board installed
- Top drawer will be slab, including DRPD, except Martel-Full and Rockwell door styles
- ☆ Toe Kick Drawer (TKD), Wide Bottom Rail (WR) and Recessed Toe Kick (RTK) **not** available on 93" & 96" high cabinets
- ☆ Change Height (CH) modifications will be made in the upper door section, appliance cutout dimensions are **not** affected
- ☆ Void Toe Kick (VTK) is **not** available on 93" and 96" high cabinets
- Backless construction used in appliance opening area
- Toe kick is shipped separately on 93" & 96" high cabinets
- ☆ Glass on top and bottom - select glass designs only

●	PE
●	APC
●	APFC
●	FPEB
●	MI
●	AD_E
	CW
	RD
	ID
☆	CH
	IF
☆	WR
●	XS
☆	GD
☆	RTK
☆	VTK
☆	TKD

Cabinet	1/2" Overlay						Full Overlay					
	Cut out dimensions				Yoke sizes		Cut out dimensions				Yoke sizes	
	Min. Width	Max. Width	Min. Height	Max. Height	Yoke Width	Yoke Height	Min. Width	Max. Width	Min. Height	Max. Height	Yoke Width	Yoke Height
MCCE272484	18"	22"	15 1/16"	17"	25"	24"	19 5/8"	23 5/8"	15 1/16"	17"	26 5/8"	24"
MCCE272487	18"	22"	14 9/16"	16 1/2"	25"	23 1/2"	19 5/8"	23 5/8"	15 9/16"	17 1/2"	26 5/8"	24 1/2"
MCCE272490/93	18"	22"	14 9/16"	16 1/2"	25"	23 1/2"	19 5/8"	23 5/8"	15 1/16"	17"	26 5/8"	24"
MCCE272496	18"	22"	14 9/16"	16 1/2"	25"	23 1/2"	19 5/8"	23 5/8"	14 11/16"	16 5/8"	26 5/8"	23 5/8"
MCCE302484	21"	25"	15 1/16"	16 1/2"	28"	24"	22 5/8"	26 5/8"	15 1/16"	17"	29 5/8"	24"
MCCE302487	21"	25"	14 9/16"	17"	28"	23 1/2"	22 5/8"	26 5/8"	15 9/16"	17 1/2"	29 5/8"	24 1/2"
MCCE302490/93	21"	25"	14 9/16"	16 1/2"	28"	23 1/2"	22 5/8"	26 5/8"	15 1/16"	17"	29 5/8"	24"
MCCE302496	21"	25"	14 9/16"	16 1/2"	28"	23 1/2"	22 5/8"	26 5/8"	14 11/16"	16 5/8"	29 5/8"	23 5/8"

Microwave Cooking Center w/Drawer Storage—Extended Opening



Opening Trimmable to: 22" x 19 1/2"

MCCDE272484 (Butt)

MCCDE272487 (Butt)

MCCDE272490 (Butt)

MCCDE272493 (Butt)

MCCDE272496 (Butt)

Opening Trimmable to: 25" x 19 1/2"

MCCDE302484 BUTT

MCCDE302487 BUTT

MCCDE302490 BUTT

MCCDE302493 BUTT

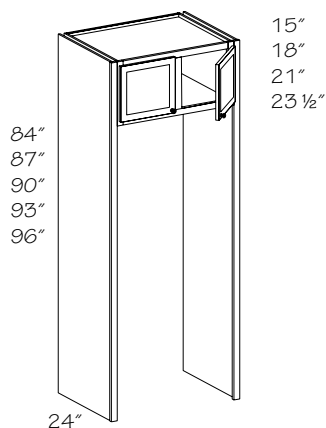
MCCDE302496 BUTT

- Two 7" deep drawers, one 2 1/4" drawer with Cutting Center (CC) above
- Includes adjustable shelves in upper section: 84" & 87" high—one shelf; 90" & 93" high—two shelves; 96" high—three shelves
- ☆ Toe Kick Drawer (TKD), Wide Bottom Rail (WR) and Recessed Toe Kick (RTK) **not** available on 93" & 96" high cabinets
- ☆ Void Toe Kick (VTK) is **not** available on 93" and 96" high cabinets
- Toe kick is shipped separately on 93" & 96" high cabinets
Backless construction used in appliance opening area
- ☆ Change Height (CH) modifications will be made in the upper door section, appliance cutout dimensions are **not** affected

●	PE
●	APC
●	APFC
●	FPEB
●	MI
●	AD_E
	CW
	RD
	ID
☆	CH
	IF
☆	WR
●	XS
●	GD
☆	RTK
☆	VTK
☆	TKD

Cabinet	1/2" Overlay						Full Overlay					
	Cut out dimensions				Yoke sizes		Cut out dimensions				Yoke sizes	
	Min. Width	Max. Width	Min. Height	Max. Height	Yoke Width	Yoke Height	Min. Width	Max. Width	Min. Height	Max. Height	Yoke Width	Yoke Height
MCCDE272484	14"	22"	11"	17 1/2"	25"	21 1/2"	15 5/8"	23 5/8"	12 1/8"	19 3/8"	26 5/8"	21 1/8"
MCCDE272487/90/93/96	14"	22"	10 1/4"	16 3/4"	25"	21 1/2"	15 5/8"	23 5/8"	12 1/8"	18 7/8"	26 5/8"	21 1/8"
MCCDE302484	17"	25"	11"	17 1/2"	28"	21 1/2"	18 5/8"	26 5/8"	12 1/8"	19 3/8"	29 5/8"	21 1/8"
MCCDE302487/90/93/96	17"	25"	10 1/4"	16 3/4"	28"	21 1/2"	18 5/8"	26 5/8"	12 1/8"	18 7/8"	29 5/8"	21 1/8"

Refrigerator Tall Cabinet



84" High

RTC332484

30" x 69"

RTC332484 BUTT

30" x 69"

RTC362484

33" x 69"

RTC362484 BUTT

33" x 69"

RTC392484

36" x 69"

RTC392484 BUTT

36" x 69"

87" High

RTC332487

30" X 72"

RTC332487 BUTT

30" X 72"

RTC362487

33" X 72"

RTC362487 BUTT

33" X 72"

RTC392487

36" X 72"

RTC392487 BUTT

36" X 72"

90" High

RTC332490

30" x 72"

RTC332490 BUTT

30" x 72"

RTC362490

33" x 72"

RTC362490 BUTT

33" x 72"

RTC392490

36" x 72"

RTC392490 BUTT

36" x 72"

93" High

RTC332493

30" x 72"

RTC332493 BUTT

30" x 72"

RTC362493

33" x 72"

RTC362493 BUTT

33" x 72"

RTC392493

36" x 72"

RTC392493 BUTT

36" x 72"

96" High

RTC332496

30" x 72"

RTC332496 BUTT

30" x 72"

RTC362496

33" x 72"

RTC362496 BUTT

33" x 72"

RTC392496

36" x 72"

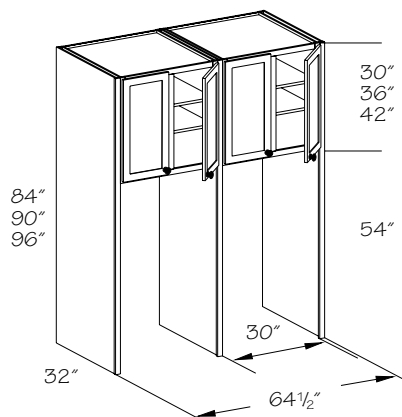
RTC392496 BUTT

36" x 72"

- One adjustable shelf included in 96" high cabinets
- Interior of end panels is Natural Birch printed wood grain laminate
- ☆ Maximum Increased Depth (ID) is 27"
- Shipped in two packages

●	PE
●	APC
●	APFC
●	FPEB
☆	MI
	AD_E
	CW
●	RD
☆	ID
	CH
	IF
	WR
	XS
●	GD
	RTK
	VTK
	TKD

Fabric Care Ensemble



Two Shelves

84" High

FCE653284

Three Shelves

90" High

FCE653290

Three Shelves

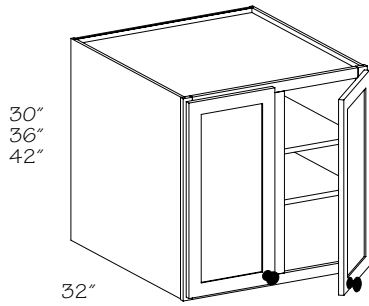
96" High

FCE653296

- All components shipped separately
- **Not** for use as a freestanding unit
- **Not** available with Mullion Strip Wall (MSW) or Mullion Strip Top (MSUT)

●	PE
●	APC
●	APFC
●	FPEB
●	MI
	AD_E
	CW
	RD
	ID
	CH
	IF
	WR
	XS
	GD
	RTK
	VTK
	TKD

Fabric Care Ensemble Cabinet



Two Shelves

FCEC303230 K 30" High

Three Shelves

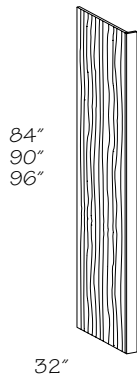
FCEC303236 K 36" High

FCEC303242 K 42" High

- Fabric Care Ensemble Cabinets (FCEC) are for the Fabric Care Ensemble ONLY
- **Must** be installed as part of the Fabric Care Ensemble for warranty coverage
- **Not** available with Mullion Strip Wall (MSW) or Mullion Strip Top (MSUT)

●	PE
●	APC
●	APFC
●	FPEB
●	MI
	AD_E
	CW
●	RD
	ID
	CH
	IF
	WR
	XS
●	GD
	RTK
	VTK
	TKD

Fabric Care Ensemble Panels



Center Panel

FCCP1 1/2.84 84" High

FCCP1 1/2.90 90" High

FCCP1 1/2.96 96" High

End Panel

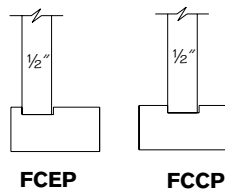
FCEP1 1/2.84 84" High

FCEP1 1/2.90 90" High

FCEP1 1/2.96 96" High

- Printed wood grain laminate panels
- Painted hardwood supplied for EverCore™

●	PE
●	APC
●	APFC
●	FPEB
❖	MI
	AD_E
	CW
●	RD
	ID
	CH
	IF
	WR
	XS
	GD
	RTK
	VTK
	TKD



Tall Cabinet Accessories

Construction Options and Modifications

PE	Plywood Ends
APC	All Plywood Construction
APFC	All Plywood Furniture Construction
FPEB	Furniture Plywood Ends
MI	Matching Interior
CW	Change Width
RD	Reduced Depth
ID	Increased Depth
CH	Change Height
WR	Wide Bottom Rail

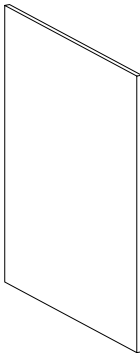
RTFC	3	15	84
code	width	depth	height

- ❖ Included as standard
- Available with an upcharge
- ☆ Available with exceptions
- (Blank) **Not** available

Material dimensions listed may vary slightly from actual dimensions of the product.

Specifications subject to change without notice.

Oven Trim Kit



<i>For OC_D</i>	<i>Width x Height</i>
OTK24 D	23 5/8" x 53 1/8"
OTK27 D	26 5/8" x 53 1/8"
OTK30 D	29 5/8" x 53 1/8"
OTK31 D	30 1/8" x 53 1/8"
OTK33 D	32 5/8" x 53 1/8"

<i>For OC_DE & OC_U</i>	<i>Width x Height</i>
OTK24 DE	23 5/8" x 60 5/8"
OTK27 DE	26 5/8" x 60 5/8"
OTK30 DE	29 5/8" x 60 5/8"
OTK31 DE	30 1/8" x 60 5/8"
OTK33 DE	32 5/8" x 60 5/8"

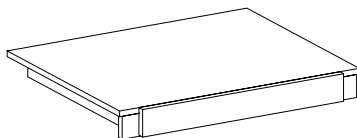
<i>For OC_S & OC_2D</i>	<i>Width x Height</i>
OTK24 S	23 5/8" x 32 5/8"
OTK27 S	26 5/8" x 32 5/8"
OTK30 S	29 5/8" x 32 5/8"
OTK31 S	30 1/8" x 32 5/8"
OTK33 S	32 5/8" x 32 5/8"
OTK39 S	38 5/8" x 32 5/8"

<i>For OC_DD</i>	<i>Width x Height</i>
OTK24 DD	23 5/8" x 50 1/8"
OTK27 DD	26 5/8" x 50 1/8"
OTK30 DD	29 5/8" x 50 1/8"
OTK31 DD	31 1/8" x 50 1/8"
OTK33 DD	32 5/8" x 50 1/8"

- 5/8" wood veneer construction except for Wood-Grain Foil door styles, which will have 3/4" wood veneer construction; **not** available in plywood
- Oven Trim Kits (OTK) will be supplied in plain-sawn material for Quartersawn door styles
- Painted hardwood supplied for EverCore™
- Wood-Grain Foil door styles default to vertical design slab
- Front and back sides are finished
- Edgebanded all four sides
- 3/4" Thick for Wood-Grain Foil
- 3/4" quartersawn panel supplied for Crafted Doors

PE
APC
APFC
FPEB
MI
CW
RD
ID
CH
WR

Double Oven Opening Kit

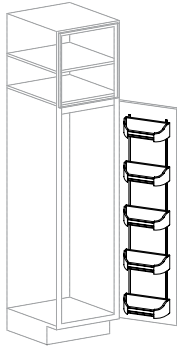


- DOK24**
- DOK27**
- DOK30**
- DOK31**
- DOK33**

- Includes 1/2" printed wood grain laminate clad shelf with 3/4" Pine mounting supports and 3" wide 3/4" solid wood center rail to match cabinet exterior
- For installing two appliances in one oven cabinet
- Painted hardwood supplied for EverCore™

PE
● APC
APFC
FPEB
MI
CW
RD
ID
CH
WR

Wood Tall Door Storage Kit

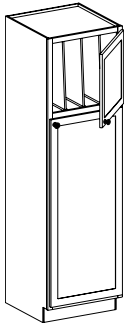


- WTDSK15** for U1524 5 - 10 3/4" wide shelves
- WTDSK18** for U1824 5 - 13 3/4" wide shelves
- WTDSK24** for U2424 5 - 19 3/4" wide shelves

- Three 5/8" deep maple trays with chrome rails attached to 46" long metal ladders
- Tray location is adjustable
- Field installation on full overlay raised panel door styles and slab door styles only

PE
APC
APFC
FPEB
MI
CW
RD
ID
CH
WR

Tray Dividers–Tall

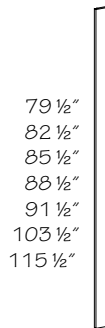


- 1TD**
- 2TD**
- 3TD**
- 4TD**
- 5TD**
- 6TD**

- 1/2" Natural Birch printed wood grain laminate
- Available factory installed for 24" deep cabinets only
- Installed in wood or plastic U-channels
- Shelves are eliminated when this option is selected
- Specify quantity and location
- Tray Dividers (TD) are installed in the top section of Utility Stack (UST) cabinets
- Order Example: U242484-3TD (spaced evenly)

PE
APC
APFC
FPEB
MI
CW
RD
ID
CH
WR

Tall Filler

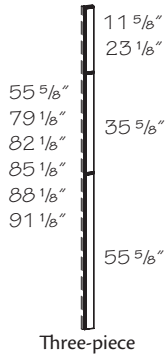
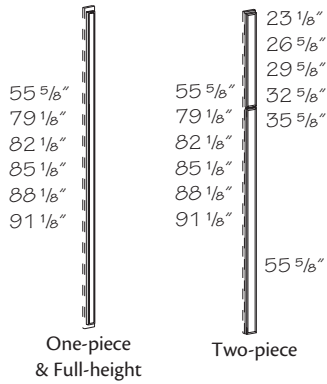


- | | |
|---------------|----------------|
| 84" High | 96" High |
| TF3.84 | TF3.96 |
| TF6.84 | TF6.96 |
| 87" High | 108" High |
| TF3.87 | TF3.108 |
| TF6.87 | TF6.108 |
| 90" High | 120" High |
| TF3.90 | TF3.120 |
| TF6.90 | TF6.120 |
| 93" High | |
| TF3.93 | |
| TF6.93 | |

- 3/4" thick solid wood
- Finished one side only
- Quartersawn door styles are supplied plain sawn
- Painted hardwood supplied for EverCore™
- Painted or Stained hardwood supplied for Wood-Grain Foil door styles
- No toe kick

PE
APC
APFC
FPEB
MI
CW
RD
ID
CH
WR

Tall Filler Overlay



One-piece

- TFOL3.60**
- TFOL6.60**
- Two-piece*
- TFOL3.84**
- TFOL6.84**
- TFOL3.87**
- TFOL6.87**
- TFOL3.90**
- TFOL6.90**
- TFOL3.93**
- TFOL6.93**
- TFOL3.96**
- TFOL6.96**

Full Height

- * **TFOL3.84.FH**
- * **TFOL6.84.FH**
- * **TFOL3.87.FH**
- * **TFOL6.87.FH**
- * **TFOL3.90.FH**
- * **TFOL6.90.FH**
- * **TFOL3.93.FH**
- * **TFOL6.93.FH**
- * **TFOL3.96.FH**
- * **TFOL6.96.FH**

Three-piece

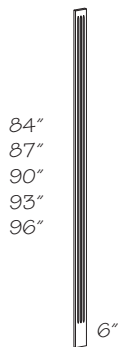
- TFOL3.108**
- TFOL6.108**
- TFOL3.120**
- TFOL6.120**

* **Not** available in Thermofoil or Wood-Grain Foil door styles; available in High-Gloss Foil door styles

- Available in full overlay door styles and select sizes available in 1/2" overlay
- Available in High-Gloss Foil finish except three-piece models
- Filler overlay has routed door profile and is made from the same material as doors and drawer fronts
- Filler ordered separately
- Thermofoils are painted hardwood
- Consider using Custom Filler Overlay (CFOL) option in applications that require Change Width (CW)

PE
APC
APFC
FPEB
MI
CW
RD
ID
CH
WR

Tall Fluted Filler



84" High

- TFF3.84**
- TFF6.84**
- 87" High*
- TFF3.87**
- TFF6.87**
- 90" High*
- TFF3.90**
- TFF6.90**

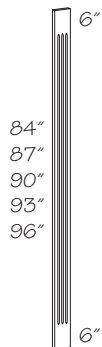
93" High

- TFF3.93**
- TFF6.93**
- 96" High*
- TFF3.96**
- TFF6.96**

- 3/4" thick solid wood
- Painted or Stained hardwood supplied for Wood-Grain Foil door styles
- Quartersawn door styles are supplied plain sawn

PE
APC
APFC
FPEB
MI
CW
RD
ID
CH
WR

Plain Capital Tall Fluted Filler



84" High

- PCTFF3.84**
- PCTFF6.84**
- 87" High*
- PCTFF3.87**
- PCTFF6.87**
- 90" High*
- PCTFF3.90**
- PCTFF6.90**

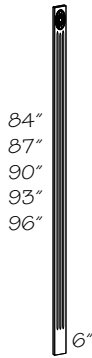
93" High

- PCTFF3.93**
- PCTFF6.93**
- 96" High*
- PCTFF3.96**
- PCTFF6.96**

- 3/4" thick solid wood
- Painted or Stained hardwood supplied for Wood-Grain Foil door styles
- Quartersawn door styles are supplied plain sawn

PE
APC
APFC
FPEB
MI
CW
RD
ID
CH
WR

Rosette Tall Fluted Filler

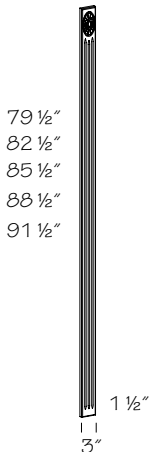


RTFF3.84
RTFF3.87
RTFF3.90
RTFF3.93
RTFF3.96

- 3/4" thick solid wood
- Applied decorative rosette
- Quartersawn door styles are supplied plain sawn
- **Not** available in Rustic Alder, High-Gloss Foil or Wood-Grain Foil door styles

PE
APC
APFC
FPEB
MI
CW
RD
ID
CH
WR

Rosette Tall Fluted Filler Overlay

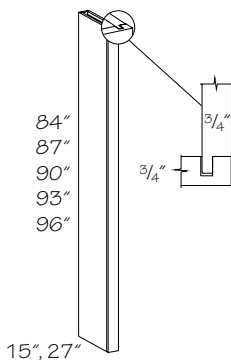


RFTFOL3.84
RFTFOL3.87
RFTFOL3.90
RFTFOL3.93
RFTFOL3.96

- 3/4" thick solid wood
- Applied decorative rosette
- Quartersawn door styles are supplied plain sawn
- **Not** available in Rustic Alder, High-Gloss Foil or Wood-Grain Foil door styles

PE
APC
APFC
FPEB
MI
CW
RD
ID
CH
WR

Tall Column



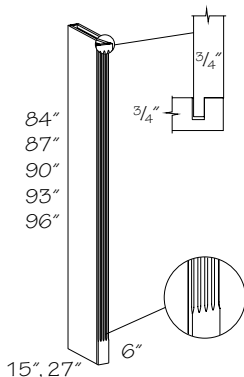
84" High	90" High	96" High
○ TC31584	○ TC31590	○ TC31596
TC61584	TC61590	TC61596
○ TC32784	○ TC32790	○ TC32796
TC62784	TC62790	TC62796
87" High	93" High	
○ TC31587	○ TC31593	
TC61587	TC61593	
○ TC32787	○ TC32793	
TC62787	TC62793	

○ Change Width (CW) option **not** available

- Front is 3/4" solid wood
- Quartersawn Oak door styles have 3/4" solid quartersawn wood front and quartersawn wood veneer end panels
- Painted hardwood supplied for EverCore™
- Plain sawn material supplied for Bristow Crafted door styles
- Foil-wrapped MDF supplied for Wood-Grain Foil door styles on face frame only
- Finished front and both sides
- Reversible, may be used on either right or left end
- ☆ APFC standard when APC option is selected

PE
● APC
☆ APFC
❖ FPEB
MI
☆ CW
● RD
ID
● CH
❖ WR

Tall Fluted Column

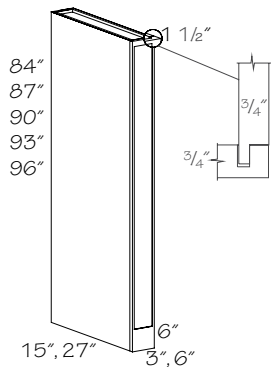


84" High	93" High
TFC31584	TFC31593
TFC32784	TFC32793
87" High	96" High
TFC31587	TFC31596
TFC32787	TFC32796
90" High	
TFC31590	
TFC32790	

- Fluted front is 3/4" solid wood; plain sawn wood supplied for quartersawn door styles
- Quartersawn Oak door styles have quartersawn wood veneer end panels
- Painted hardwood supplied for EverCore™
- Painted or Stained hardwood supplied for Wood-Grain Foil door styles
- Plain sawn material supplied for Bristow Crafted door styles
- Finished front and both sides
- Reversible, may be used on either right or left end
- ☆ APFC standard when APC option is selected

PE
● APC
☆ APFC
❖ FPEB
MI
CW
● RD
ID
● CH
❖ WR

Sterling Tall Column



84" High

STTC31584
STTC61584
STTC32784
STTC62784

87" High

STTC31587
STTC61587
STTC32787
STTC62787

90" High

STTC31590
STTC61590
STTC32790
STTC62790

93" High

STTC31593
STTC61593
STTC32793
STTC62793

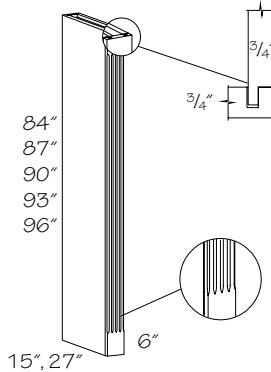
96" High

STTC31596
STTC61596
STTC32796
STTC62796

- Front is 3/4" solid wood
 - Available in Rustic Alder, Cherry, EverCore™, Maple and White Wood-Grain Foil door styles only
 - Painted hardwood supplied for EverCore™
 - Painted hardwood supplied for Wood-Grain Foil door styles; only available in white
 - Finished front and both sides
 - Reversible, may be used on either right or left end
- ☆ APFC standard when APC option is selected

PE
● APC
☆ APFC
❖ FPEB
MI
CW
● RD
ID
CH
❖ WR

Plain Capital Tall Fluted Column



84" High

PCTFC31584
PCTFC32784

87" High

PCTFC31587
PCTFC32787

90" High

PCTFC31590
PCTFC32790

93" High

PCTFC31593
PCTFC32793

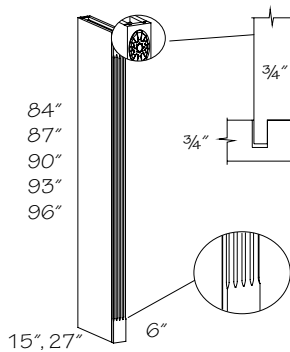
96" High

PCTFC31596
PCTFC32796

- Fluted front is 3/4" solid wood; plain sawn wood supplied for quartersawn door styles
 - Quartersawn Oak door styles have quartersawn wood veneer end panels
 - Finished front and both sides
 - Reversible, may be used on either right or left end
 - Painted hardwood supplied for EverCore™
 - Painted or Stained hardwood supplied for Wood-Grain Foil door styles
 - Plain sawn material supplied for Bristow Crafted door styles
- ☆ APFC standard when APC option is selected

PE
● APC
☆ APFC
❖ FPEB
MI
CW
● RD
ID
● CH
❖ WR

Rosette Tall Fluted Column



84" High

RTFC31584
RTFC32784

87" High

RTFC31587
RTFC32787

90" High

RTFC31590
RTFC32790

93" High

RTFC31593
RTFC32793

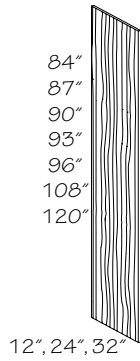
96" High

RTFC31596
RTFC32796

- Fluted front is 3/4" solid wood; plain sawn wood supplied for quartersawn door styles
 - Quartersawn Oak door styles have quartersawn wood veneer end panels
 - Applied decorative rosette
 - Finished front and both sides
 - Reversible, may be used on either right or left end
 - **Not** available in Rustic Alder, High-Gloss Foil or Wood-Grain Foil door styles
 - Plain sawn material supplied for Bristow Crafted door styles
- ☆ APFC standard when APC option is selected

PE
● APC
☆ APFC
❖ FPEB
MI
CW
● RD
ID
● CH
❖ WR

Tall End Panel



*Printed Woodgrain Laminate
12" Wide, 3/4" Thick*

- **VTEP1284**
- **VTEP1287**
- **VTEP1290**
- **VTEP1293**
- **VTEP1296**

*Printed Woodgrain Laminate
24" Wide, 3/4" Thick*

- **VTEP84**
- **VTEP87**
- **VTEP90**
- **VTEP93**
- **VTEP96**

*Printed Woodgrain Laminate
32" Wide, 3/4" Thick*

- **DVTEP84**
- **DVTEP87**
- **DVTEP90**
- **DVTEP93**
- **DVTEP96**

*Wood Veneer
12" Wide, 13/16" Thick*

- ▲ **WTEP1284**
- ▲ **WTEP1287**
- ▲ **WTEP1290**
- ▲ **WTEP1293**
- ▲ **WTEP1296**

*Wood Veneer
24" Wide, 13/16" Thick*

- ▲ **WTEP84**
- ▲ **WTEP87**
- ▲ **WTEP90**
- ▲ **WTEP93**
- ▲ **WTEP96**

*Wood Veneer
12" Wide, 11/16" Thick*

- ▲ **WTEP12108**
- ▲ **WTEP12120**

*Wood Veneer
24" Wide, 11/16" Thick*

- ▲ **WTEP108**
- ▲ **WTEP120**

*Wood Veneer
32" Wide, 13/16" Thick*

- ▲ **DWTEP84**
- ▲ **DWTEP87**
- ▲ **DWTEP90**
- ▲ **DWTEP93**
- ▲ **DWTEP96**

*Wood Veneer
32" Wide, 11/16" Thick*

- ▲ **DWTEP108**
- ▲ **DWTEP120**

- Quartersawn door styles are supplied plain sawn
- ▲ Crafted or Quartersawn door styles will be supplied in plain sawn wood

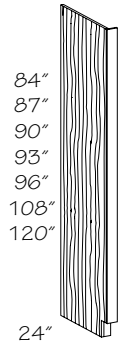
- Finished to match exterior both sides
- Front edge banded to match
- ☆ APC is available for wood veneer panels only; APC is standard on 108" and 120" panels
- ☆ APC panel is 11/16" thick
- Painted or Stained hardwood supplied for Wood-Grain Foil door styles



When using 48"–54" high cabinets or tall stacked cabinet combinations, remember to supply the best height Tall End Panel (TEP) for your design needs. Both 108" and 120" panels can be field cut to height requirements of your design

PE
☆ APC
APFC
FPEB
MI
CW
RD
ID
● CH
WR

Tall End Panel w/Stile



84" High

TEP1 1/2.84 R or L
TEP3.84 R or L

87" High

TEP1 1/2.87 R or L
TEP3.87 R or L

90" High

TEP1 1/2.90 R or L
TEP3.90 R or L

93" High

TEP1 1/2.93 R or L
TEP3.93 R or L

96" High

TEP1 1/2.96 R or L
TEP3.96 R or L

108" High

★ **TEP1 1/2.108 R or L**
★ **TEP3.108 R or L**

120" High

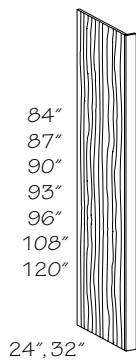
★ **TEP1 1/2.120 R or L**
★ **TEP3.120 R or L**

- Specify R or L
- Left shown
- Toe kick shipped attached
- Exterior finished to match, interior is Natural Birch printed wood grain laminate and machined to match a cabinet end panel
- Crafted or Quartersawn door styles will be supplied in plain sawn wood
- Painted hardwood supplied for EverCore™
- Painted or Stained hardwood supplied for Wood-Grain Foil door styles
- ☆ Maximum Increased Depth (ID) is 27"

●	PE
●	APC
●	APFC
●	FPEB
●	MI
●	CW
●	RD
☆	ID
●	CH
●	WR

★ Matching Interior All Plywood Furniture Construction (MIAPFC) standard on these sizes only

Refrigerator End Panel w/Stile



32" Deep

84" High

DREP1 1/2.84
DREP3.84

87" High

DREP1 1/2.87
DREP3.87

90" High

DREP1 1/2.90
DREP3.90

93" High

DREP1 1/2.93
DREP3.93

96" High

DREP1 1/2.96
DREP3.96

108" High

★ **DREP1 1/2.108**
★ **DREP3.108**

120" High

★ **DREP1 1/2.120**
★ **DREP3.120**

24" Deep

84" High

REP1 1/2.84
REP3.84

87" High

REP1 1/2.87
REP3.87

90" High

REP1 1/2.90
REP3.90

93" High

REP1 1/2.93
REP3.93

96" High

REP1 1/2.96
REP3.96

108" High

★ **REP1 1/2.108**
★ **REP3.108**

120" High

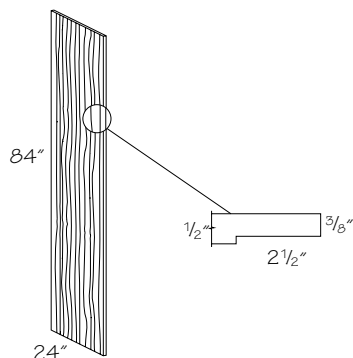
★ **REP1 1/2.120**
★ **REP3.120**

★ Matching Interior All Plywood Furniture Construction (MIAPFC) standard on these sizes only

- Reversible
- Exterior finished to match, interior is Natural Birch printed wood grain laminate
- Painted hardwood supplied for EverCore™
- Painted or Stained hardwood supplied for Wood-Grain Foil door styles

●	PE
●	APC
☆	APFC
●	FPEB
☆	MI
●	CW
●	RD
●	ID
●	CH
●	WR

Sub Zero End Panel



Wood Veneer
24" Deep

† **WZEP84**

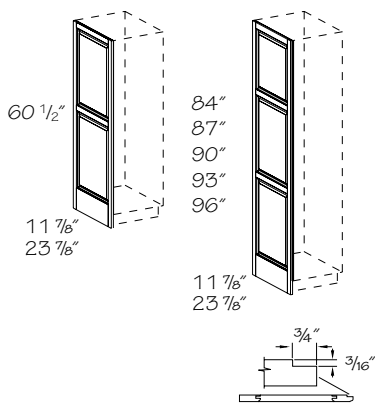
† Crafted or Quartersawn door styles will be supplied in plain sawn wood

- Reversible
- Panel notched to accept Sub Zero trim kit
- Quartersawn door styles are quartersawn wood veneer
- ☆ APC panel only available in wood veneer
- ☆ Maximum Increased Depth (ID) is 27"



Be sure to verify panel and appliance model compatibility

PE
☆ APC
APFC
FPEB
MI
CW
● RD
☆ ID
CH
WR



Matching Tall End Panel

- | | |
|--|--|
| 60 1/2" High | 90" High |
| <input type="checkbox"/> MTEP1260 R or L | <input type="checkbox"/> MTEP1290 R or L |
| <input type="checkbox"/> MTEP2460 R or L | <input type="checkbox"/> MTEP2490 R or L |
| 84" High | 93" High |
| <input type="checkbox"/> MTEP1284 R or L | <input type="checkbox"/> MTEP1293 R or L |
| <input type="checkbox"/> MTEP2484 R or L | <input type="checkbox"/> MTEP2493 R or L |
| 87" High | 96" High |
| <input type="checkbox"/> MTEP1287 R or L | <input type="checkbox"/> MTEP1296 R or L |
| <input type="checkbox"/> MTEP2487 R or L | <input type="checkbox"/> MTEP2496 R or L |

- Change Width (CW) option **not** available
- Change Height (CH) option **not** available

- Specify R or L
- 3/4" thick panel with matching door edge profile on front edge only
- Matching panel may **not** align with the cabinet doors
- Left shown
- Field installation only
- **Not** available in High-Gloss Foil, Thermofoil or Wood-Grain Foil door styles
- **Not** available in mitered door styles; use End Panel-Mitered
- **Not** available in slab door styles
- ☆ Wide Bottom Rail—field notch for toe kick

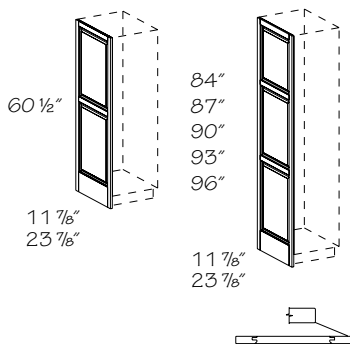


When designing with Matching End Panels the reveal will differ from the cabinet door height reveal. Matching End Panels cover the entire side of the cabinet. See drawing for exact measurements

PE
APC
APFC
FPEB
MI
☆ CW
RD
ID
☆ CH
☆ WR

Standard edge detail—fits flush against 1/2" end panel and behind face frame

Matching Tall End Panel—Square Edges



- | | |
|-------------------------------------|-------------------------------------|
| 60 1/2" High | 90" High |
| <input type="checkbox"/> MTEP1260 S | <input type="checkbox"/> MTEP1290 S |
| <input type="checkbox"/> MTEP2460 S | <input type="checkbox"/> MTEP2490 S |
| 84" High | 93" High |
| <input type="checkbox"/> MTEP1284 S | <input type="checkbox"/> MTEP1293 S |
| <input type="checkbox"/> MTEP2484 S | <input type="checkbox"/> MTEP2493 S |
| 87" High | 96" High |
| <input type="checkbox"/> MTEP1287 S | <input type="checkbox"/> MTEP1296 S |
| <input type="checkbox"/> MTEP2487 S | <input type="checkbox"/> MTEP2496 S |

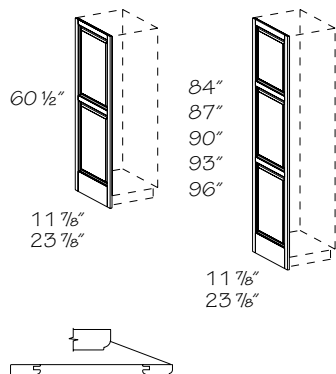
- Change Width (CW) option **not** available
- Change Height (CH) option **not** available

- 3/4" thick panel with square edge front and back
- Matching panel may **not** align with the cabinet doors
- Field installation only
- Reversible, may be used on either right or left end
- No frame recess dado
- **Not** available in High-Gloss Foil, Thermofoil or Wood-Grain Foil door styles
- **Not** available in mitered door styles; use End Panel-Mitered
- **Not** available in slab door styles
- ☆ Wide Bottom Rail—field notch for toe kick

PE
APC
APFC
FPEB
MI
☆ CW
RD
ID
☆ CH
☆ WR

Will not fit flush against 1/2" end panel, a 3/16" shim is recommended

Furniture Matching Tall End Panel



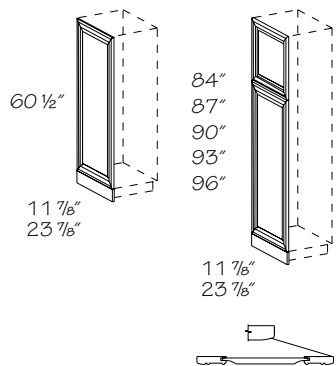
60 1/2" High	90" High
*□ FMTEP1260 R or L	○ FMTEP1290 R or L
*□ FMTEP2460 R or L	○ FMTEP2490 R or L
84" High	93" High
○ FMTEP1284 R or L	○ FMTEP1293 R or L
○ FMTEP2484 R or L	○ FMTEP2493 R or L
87" High	96" High
○ FMTEP1287 R or L	○ FMTEP1296 R or L
○ FMTEP2487 R or L	○ FMTEP2496 R or L

- * Painted hardwood supplied for EverCore™
- Change Width (CW) option **not** available
- Change Height (CH) option **not** available

- Specify R or L
- 3/4" thick panel with matching door edge profile on front edge only
- Matching panel may **not** align with the cabinet doors
- Left shown
- Field installation only
- For use with Furniture Plywood Ends (FPEB)—flush ends
- **Not** available in High-Gloss Foil, Thermofoil or Wood-Grain Foil door styles
- **Not** available in mitered door styles; use End Panel—Mitered
- **Not** available in slab door styles
- ☆ Wide Bottom Rail—field notch for toe kick

PE
APC
APFC
FPEB
MI
☆ CW
RD
ID
☆ CH
☆ WR

Matching Tall End Panel—Mitered



60 1/2" High	90" High
▲□ M.MTEP1260	▲□ M.MTEP1290
▲□ M.MTEP2460	▲□ M.MTEP2490
84" High	93" High
▲□ M.MTEP1284	▲□ M.MTEP1293
▲□ M.MTEP2484	▲□ M.MTEP2493
87" High	96" High
▲□ M.MTEP1287	▲□ M.MTEP1296
▲□ M.MTEP2487	▲□ M.MTEP2496

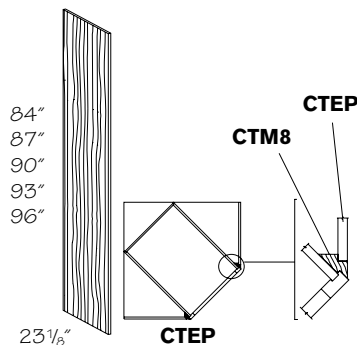
- ▲ **Not** available in Wood-Grain Foil door styles
- Change Width (CW) option **not** available
- Change Height (CH) option **not** available

- 3/4" thick panel with matching door edge profile on four sides
- Inside of matching panel bottom rail will line up with inside bottom rail of door
- Field installation only
- Reversible, may be used on either right or left end
- Top, bottom and toe kick shipped separately
- Available in mitered door styles only
- **Not** available in High-Gloss Foil, Thermofoil or Wood-Grain Foil door styles

PE
APC
APFC
FPEB
MI
☆ CW
RD
ID
☆ CH
WR

Will not fit flush against 1/2" end panel, a 3/16" shim is recommended

Corner Tall End Panel

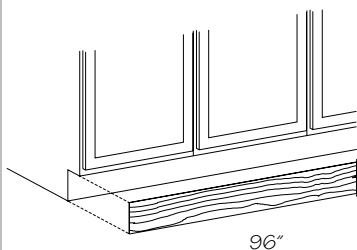


Wood Veneer	Width x Height x Thickness
WCTEP84	23 1/8" x 84" x 1/2"
WCTEP87	23 1/8" x 87" x 1/2"
WCTEP90	23 1/8" x 90" x 1/2"
WCTEP93	23 1/8" x 93" x 1/2"
WCTEP96	23 1/8" x 96" x 1/2"

- Quartersawn door styles are quartersawn wood veneer
- See Option #2 in the Diagonal Installation of Standard Tall Cabinets located in Tall Accessories
- Painted hardwood supplied for EverCore™
- Painted or Stained hardwood supplied for Wood-Grain Foil door styles
- Corner Tall End Panel (CTEP) and Corner Tall Molding (CTM8) are sold separately

PE
● APC
APFC
FPEB
MI
CW
RD
ID
CH
WR

Toe Kick



Black	Aluminum finish
† BLTK8	MTK8 .A
1/8" thick hardboard, 4 1/2" high	1/16" thick flexible laminate, 4 1/2" high
Printed Woodgrain Laminate	Stainless finish
MTK8	MTK8 .S
1/8" thick hardboard, 4 1/2" high, laminated with matching printed woodgrain laminate	1/16" thick flexible laminate, 4 1/2" high
Laminate	Wood Veneer
MTK8	▲ WMTK8
1/8" thick hardboard, 4 1/2" high, laminated with matching printed woodgrain laminate	3/16" thick wood veneer, 4 1/2" high, to match

- † Painted hardwood supplied for EverCore™
- ▲ Quartersawn door styles are quartersawn wood veneer
- Painted or Stained hardwood supplied for Wood-Grain Foil door styles

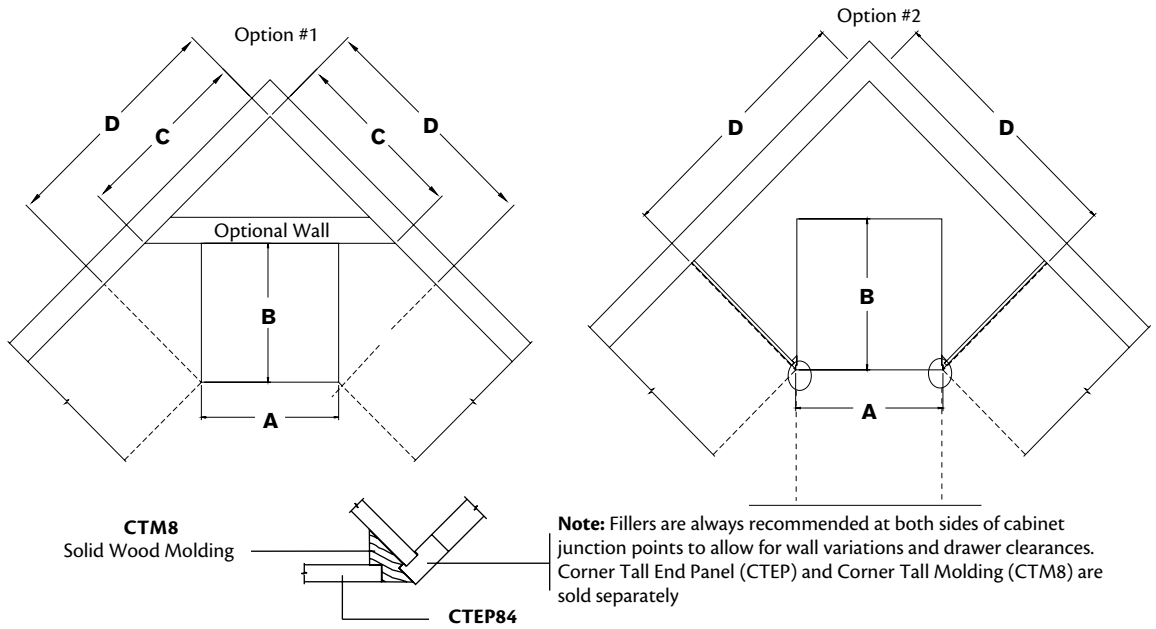
- Edges are unfinished
- Field installation only
- **Note:** Matching toe kick is **not** automatically supplied with cabinets. It **must** be ordered as a separate item



Apply Shoe Molding (SHO8) at the base of Matching Toe Kicks or Wood Matching Toe Kicks (MTK8 or WMTK8) for a nice, finished look.

PE
APC
APFC
FPEB
MI
CW
RD
ID
CH
WR

Diagonal Installation of Standard Tall Cabinets



Cabinet Width "A"	Cabinet Depth "B"	Wall Dimensions "C"	Wall Dimensions "D"	Cabinet Depth "B"	Wall Dimensions "C"	Wall Dimensions "D"
15"	12"	18 ¼"	23 ¼"	24"	24 ¾"	34 ¾"
18"	12"	20 ¾"	25 ¾"	24"	26 ¾"	36 ¾"
24"	12"	24 ¾"	29 ¾"	24"	31"	40 1/16"
27"	N/A	N/A	N/A	24"	33 ¾"	43 1/16"
30"	12"	28 ¾"	33 ¾"	24"	35 ¼"	45 3/16"
33"	N/A	N/A	N/A	24"	37 ¾"	47 5/16"
36"	12"	33 ¾"	38 ¾"	24"	39 ½"	49 ½"

Notes

Vanity Cabinets

Construction Options and Modifications

VCD	30	18	34
code	width	depth	height

- ❖ Included as standard
- Available with an upcharge
- ☆ Available with exceptions
- (Blank) **Not** available

- PE Plywood Ends
- APC All Plywood Construction
- APFC All Plywood Furniture Construction
- FPEB Furniture Plywood Ends
- MI Matching Interior
- DE Integrated Decorative End
- OE Operational End
- AD_E Attached Decorative End
- CW Change Width
- RD Reduced Depth
- ID Increased Depth
- CH Change Height
- IF Inverted Frame
- TWR Top Wide Rail
- WR Wide Bottom Rail
- XS Extended Stile
- GD Glass Doors
- RTK Recessed Toe Kick
- VTK Void Toe Kick
- TKD Toe Kick Drawer

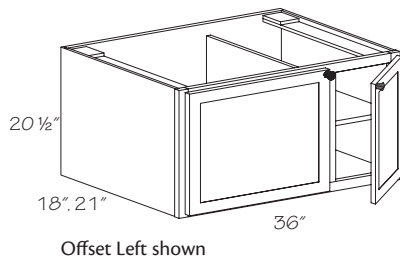
Note: Standard vanity cabinet box depth is 18" or 21" unless stated otherwise. Add door thickness for total depth. Standard vanity cabinet height is 34 1/2" unless stated otherwise.

All double door cabinets will have butt doors unless stated otherwise. When BUTT is in all capitals, it **must** be included as part of your ordering nomenclature. A (Butt) in parentheses is for your information and isn't required on an order form.

Material dimensions listed may vary slightly from actual dimensions of the product.

Specifications subject to change without notice.

Wall Hung Vanity



Offset Right
12" wide left door with single shelf;
24" wide right door

WHVOR3618
WHVOR3621

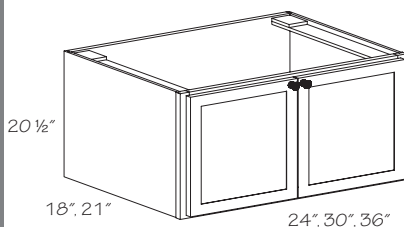
Offset Left
12" wide right door with single shelf;
24" wide left door

WHVOL3618
WHVOL3621

- U-shaped Deluxe Roll-out Tray (UDXRROT) available on 24" side (optional)
- Installation instructions included

PE	ID
APC	CH
❖ APFC	IF
FPEB	TWR
● MI	WR
DE	XS
OE	● GD
● AD_E	RTK
CW	VTK
RD	TKD

Wall Hung Vanity Full-Height Door



18" Deep

WHVC2418
WHVC3018
WHVC3618

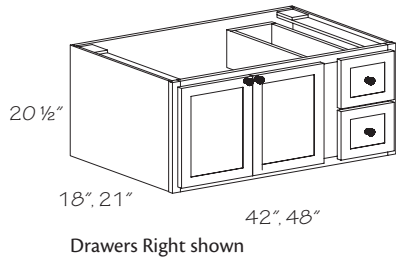
21" Deep

WHVC2421
WHVC3021
WHVC3621

- Full-height BUTT doors
- U-shaped Deluxe Roll-out Tray (UDXRROT) available (optional)
- Installation instructions included

PE	ID
APC	CH
❖ APFC	IF
FPEB	TWR
● MI	WR
DE	XS
OE	● GD
● AD_E	RTK
CW	VTK
RD	TKD

Wall Hung Vanity Combination Drawer



Drawers Right
18" Deep

WHVCD4218 DR
WHVCD4818 DR

30" left BUTT door section
36" left BUTT door section

Drawers Left
18" Deep

WHVCD4218 DL
WHVCD4818 DL

30" right BUTT door section
36" right BUTT door section

Drawers Right
21" Deep

WHVCD4221 DR
WHVCD4821 DR

30" left BUTT door section
36" left BUTT door section

Drawers Left
21" Deep

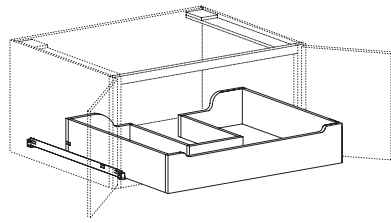
WHVCD4221 DL
WHVCD4821 DL

30" right BUTT door section
36" right BUTT door section

- 12" wide drawers
- U-shaped Deluxe Roll-out Tray (UDXROT) available (optional)
- Installation instructions included

PE	ID
APC	CH
❖ APFC	IF
FPEB	TWR
● MI	WR
DE	XS
OE	● GD
● AD_E	RTK
CW	VTK
RD	TKD

U-Shaped Deluxe Roll-out Tray



Field Installation
18" Deep

UDXROT24 .18
UDXROT30 .18
UDXROT36 .18

Field Installation
21" Deep

UDXROT24 .21
UDXROT30 .21
UDXROT36 .21

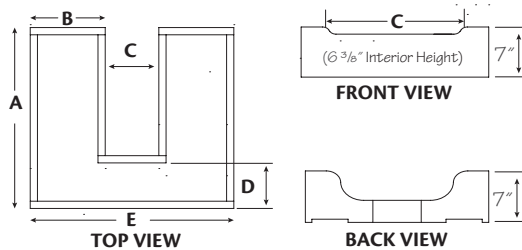
Factory Installation
18"-21" Deep

1UDXROT

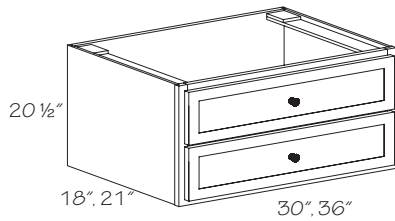
- Designed specifically for Wall Hung Vanity (WHVOR, WHVC and WHVCD) cabinets
- Full extension runner, pulls out past the face frame

PE	ID
APC	CH
APFC	IF
FPEB	TWR
MI	WR
DE	XS
OE	GD
AD_E	RTK
CW	VTK
RD	TKD

Roll-out Tray	Opening	A	B	C	D	E
UDXROT24.18	21"	14 3/4"	7 1/3"	5 1/4"	3 3/4"	19 16/17"
UDXROT30.18	27"	14 3/4"	10 1/3"	6 2/3"	3 3/4"	25 16/17"
UDXROT36.18	33"	14 3/4"	13 1/3"	6 2/3"	3 3/4"	31 37/39"
UDXROT24.21	21"	17 5/7"	7 1/3"	5 1/4"	3 3/4"	19 16/17"
UDXROT30.21	27"	17 5/7"	10 1/3"	6 2/3"	3 3/4"	25 16/17"
UDXROT36.21	33"	17 5/7"	13 1/3"	6 2/3"	3 3/4"	31 37/39"



Wall Hung Vanity Drawer

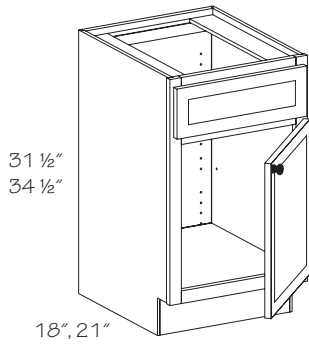


18" Deep
WHVD3018
WHVD3618
 21" Deep
WHVD3021
WHVD3621

- False front top
- 7" U-shaped bottom drawer scooped to 3" in the back
- 11/16" full plywood back panel
- Installation instructions included

PE	ID
APC	CH
❖ APFC	IF
FPEB	TWR
● MI	WR
DE	XS
OE	GD
● AD_E	RTK
CW	VTK
RD	TKD

Vanity Sink Base Single Door



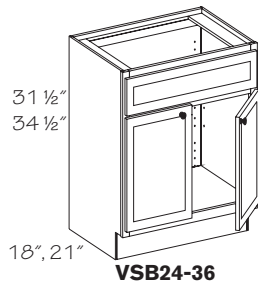
31 1/2" High, 18" Deep
VSB181831 R or L
VSB211831 R or L
 31 1/2" High, 21" Deep
VSB182131 R or L
VSB212131 R or L
 34 1/2" High, 18" Deep
VSB181834 R or L
VSB211834 R or L
 34 1/2" High, 21" Deep
VSB182134 R or L
VSB212134 R or L

- **VSB181634 R or L**
- **VSB211634 R or L**
- **Not available with Operational End Door (OE) option**

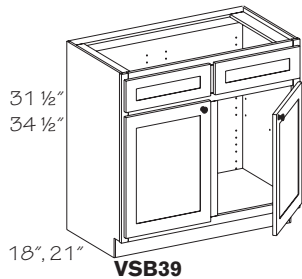
- Specify R or L for single door hinging
- Single door and drawer front
- Optional Utensil Trays (UT and SUT) are available
- ☆ Operational End (OE) is **not** available with Reduced Depth (RD) option

● PE	● ID
● APC	● CH
● APFC	IF
● FPEB	● TWR
● MI	● WR
● DE	● XS
☆ OE	● GD
☆ AD_E	● RTK
☆ CW	● VTK
● RD	☆ TKD

Vanity Sink Base Double Door



VSB24-36



VSB39

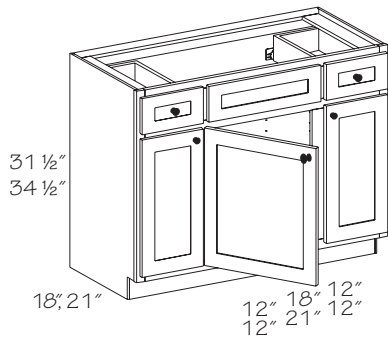
31 1/2" High, 18" Deep
 ○ **VSB241831**
VSB271831
VSB301831
VSB331831
VSB361831
 ◆▲ **VSB391831**
 31 1/2" High, 21" Deep
 ○ **VSB242131**
VSB272131
VSB302131
VSB332131
VSB362131
 ◆▲ **VSB392131**
 34 1/2" High, 18" Deep
 ○ **VSB241834**
VSB271834
VSB301834
VSB331834
VSB361834
 ◆▲ **VSB391834**
 34 1/2" High, 21" Deep
 ○ **VSB242134**
VSB272134
VSB302134
VSB332134
VSB362134
 ◆▲ **VSB392134**

- Change Width (CW) option **not** available
- ◆ 3" center stile
- ▲ Deluxe Dovetailed full-width Trays (DXFWT) **not** available

- Single or double drawer front
- Optional Utensil Trays (UT and SUT) are available
- ☆ Operational End (OE) is **not** available with Reduced Depth (RD) option

● PE	● ID
● APC	● CH
● APFC	IF
● FPEB	● TWR
● MI	● WR
● DE	● XS
☆ OE	● GD
● AD_E	● RTK
☆ CW	● VTK
● RD	● TKD

Vanity Sink Base Three Door



31 1/2" High, 18" Deep

VSB421831

VSB451831

31 1/2" High, 21" Deep

VSB422131

VSB452131

34 1/2" High, 18" Deep

VSB421834

VSB451834

34 1/2" High, 21" Deep

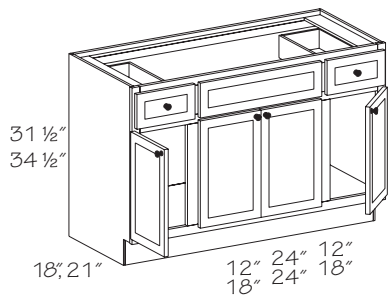
VSB422134

VSB452134

- Two working drawers with one false drawer front
- Center door hinged left only
- ☆ Operational End (OE) is *not* available with Reduced Depth (RD) option
- ☆ Glass inserts *not* available on ends

● PE	● ID
● APC	● CH
● APFC	● IF
● FPFB	● TWR
● MI	● WR
● DE	● XS
☆ OE	☆ GD
● AD_E	☆ RTK
● CW	● VTK
● RD	☆ TKD

Vanity Sink Base Four Door



31 1/2" High, 18" Deep

VSB481831

VSB601831

31 1/2" High, 21" Deep

VSB482131

VSB602131

34 1/2" High, 18" Deep

VSB481834

VSB601834

34 1/2" High, 21" Deep

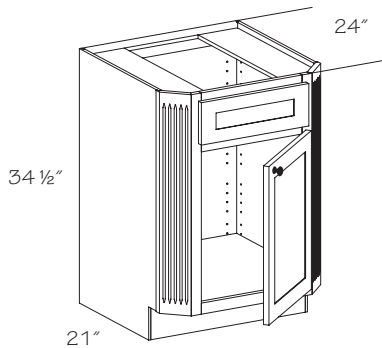
VSB482134

VSB602134

- Two working drawers with one false drawer front
- ☆ Operational End (OE) is *not* available with Reduced Depth (RD) option

● PE	● ID
● APC	● CH
● APFC	● IF
● FPFB	● TWR
● MI	● WR
● DE	● XS
☆ OE	● GD
● AD_E	● RTK
● CW	● VTK
● RD	TKD

Vanity Sink Base—Fluted Clipped Corners



VSBFCC242434 R or L

VSBFCC272434 R or L

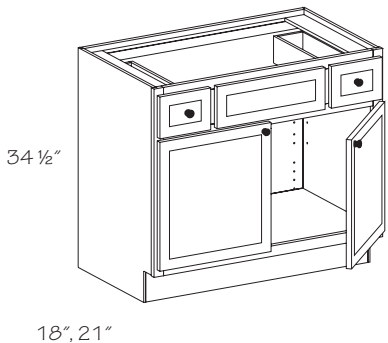
VSBFCC302434

VSBFCC332434

- Specify R or L for single door hinging
- Angled stiles extend 3" each side
- No shelf
- Single drawer front
- Optional Utensil Trays (UT and SUT) are available
- Optional Door Storage Unit (SBDSU) is available
- Nominal width is overall cabinet width. Order Example: VSBFCC302434 is 30" wide
- Factory installed Roll-out Trays (ROT) are *not* available

● PE	● ID
● APC	● CH
● APFC	● IF
● FPFB	● TWR
● MI	● WR
● DE	● XS
● OE	● GD
● AD_E	● RTK
● CW	● VTK
● RD	TKD

Vanity Sink Base Two Drawer



18" Deep

VSB361834 .2

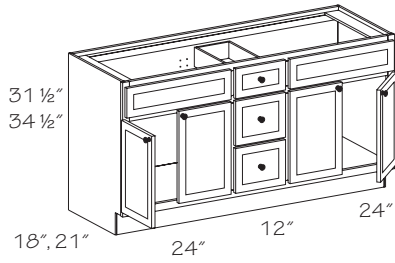
21" Deep

VSB362134 .2

- Two working drawers
- 18" center section with false drawer front
- ☆ Operational End (OE) is *not* available with Reduced Depth (RD) option

● PE	● ID
● APC	● CH
● APFC	● IF
● FPFB	● TWR
● MI	● WR
● DE	● XS
☆ OE	● GD
● AD_E	● RTK
● CW	● VTK
● RD	● TKD

Vanity Sink Base Three Drawer



18" Deep

■ **VSB601831 .3**

VSB601834 .3

21" Deep

■ **VSB602131 .3**

VSB602134 .3

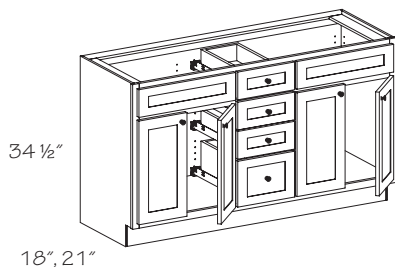
■ **Not** available with Operational End Door (OE) option

- Two pair of butt doors
- Three drawer stack in center
- Optional Vanity Wood Tiered Drawer Storage (VWTDS), Vanity Shallow Wood Tiered Drawer Storage (VSWTDS) and Vanity Adjustable Drawer Divider (VADD) are available

☆ Operational End (OE) is **not** available with Reduced Depth (RD) option

● PE	● ID
● APC	● CH
● APFC	● IF
● FPFB	● TWR
● MI	● WR
● DE	● XS
☆ OE	● GD
● AD_E	● RTK
● CW	● VTK
● RD	● TKD

Vanity Sink Base Four Drawer



18" Deep

■ **VSB601834 .4**

21" Deep

■ **VSB602134 .4**

- Two pair of butt doors
- Four drawer stack in center
- Three standard height drawers
- One deep drawer
- Two drawer fronts
- Scoop Top Drawer (STDW) option available

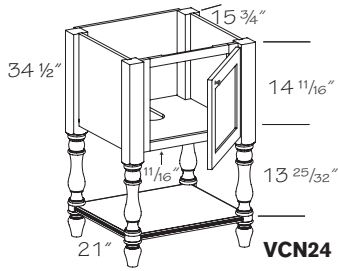
• Optional Vanity Wood Tiered Drawer Storage (VWTDS), Vanity Shallow Wood Tiered Drawer Storage (VSWTDS) and Vanity Adjustable Drawer Divider (VADD) are available

☆ Operational End (OE) is **not** available with Reduced Depth (RD) option

● PE	● ID
● APC	● CH
● APFC	● IF
● FPFB	● TWR
● MI	● WR
● DE	● XS
☆ OE	● GD
● AD_E	● RTK
● CW	● VTK
● RD	● TKD

Console Vanity

PE	ID
APC	CH
❖ APFC	IF
FPEB	TWR
❖ MI	WR
DE	XS
OE	GD
AD_E	RTK
CW	VTK
RD	TKD



Classic Leg

VCN242134 R or L.CLS

VCN302134 .CLS

VCN362134 .CLS

VCN422134 .CLS

VCN482134 .CLS

Plain Square Post

VCN242134 R or L.PSP

VCN302134 .PSP

VCN362134 .PSP

VCN422134 .PSP

VCN482134 .PSP

Roman Spindle

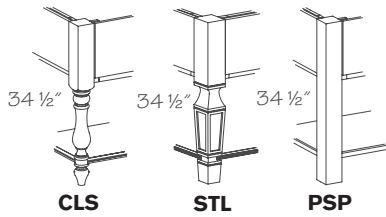
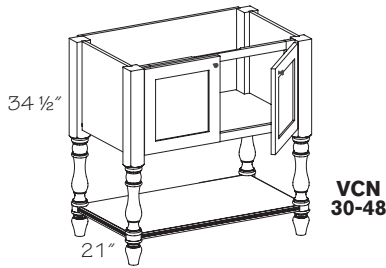
VCN242134 R or L.RSP

VCN302134 .RSP

VCN362134 .RSP

VCN422134 .RSP

VCN482134 .RSP



Sterling Leg

VCN242134 R or L.STL

VCN302134 .STL

VCN362134 .STL

VCN422134 .STL

VCN482134 .STL

Tapered Leg

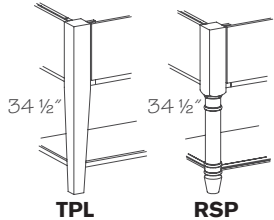
VCN242134 R or L.TPL

VCN302134 .TPL

VCN362134 .TPL

VCN422134 .TPL

VCN482134 .TPL



- Specify R or L for single door hinging
- Available in full overlay door styles only
- Painted hardwood supplied for Wood-Grain Foil door styles; only available in white
- Open area height from top of bottom shelf to cabinet frame is 13"
- Plumbing cutout is centered; measures 4 1/4" x 10"
- Contrasting Back Options (CBEB, CPLB, CVGR) **not** available
- Console Vanity Deluxe Roll-Out Tray (CDXROT) is available for factory or field installation in 30", 36" and 42" VCN wide cabinets

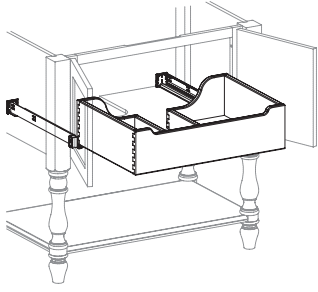


For a finished look, we recommend attaching replacement doors to the end panels (RD1515NH.B — sold separately, qty. 2 needed if covering both ends)



In order to complete the furniture look on your console vanity, limit your countertop overhang to 1/8" on the front and both sides. A standard size vanity countertop will work with the console vanity, but keep in mind the countertop overhang to the front will only be 1/8"; overhang on the sides will be 1/2". Be sure to account for the positioning of the vanity bowl in relation to the cabinet. If you use a large vanity bowl or if your bowl is positioned too far forward, you may need to notch the inside top rail of the frame in order to accommodate the bowl.

Console Vanity Deluxe Roll-Out Tray



Factory Installed

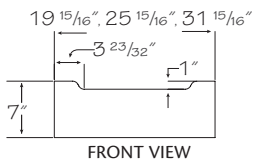
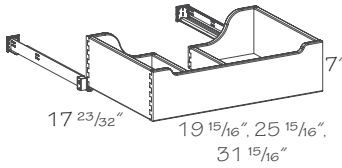
1CDXROT30
1CDXROT36
1CDXROT42

Field Installed

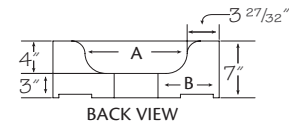
CDXROT30
CDXROT36
CDXROT42

- Designed specifically for Console Vanity (VCN) cabinets
- Full extension runner, pulls out past the face frame
- Trays are 7" high and 17 23/32" deep

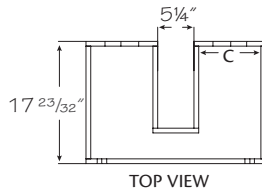
PE	ID
APC	CH
APPFC	IF
FPEB	TWR
MI	WR
DE	XS
OE	GD
AD_E	RTK
CW	VTK
RD	TKD



FRONT VIEW



BACK VIEW

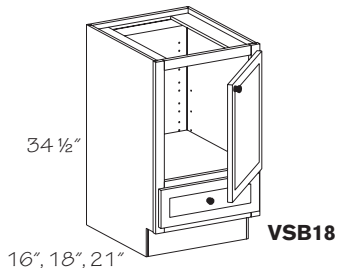


TOP VIEW

Roll-out Tray	Dim. A	Dim. B	Dim. C
CDXROT30	12 1/4"	17 11/32"	5 15/16"
CDXROT36	15 1/4"	10 11/32"	8 15/16"
CDXROT42	18 1/4"	13 11/32"	11 15/16"

Vanity Sink Base Bottom Drawer

● PE	● ID
● APC	● CH
● APFC	● IF
● FPFB	● TWR
● MI	● WR
● DE	● XS
● OE	● GD
☆ AD_E	● RTK
☆ CW	● VTK
● RD	● TKD



16" Deep
VSB181634 R or L.BD

18" Deep
VSB181834 R or L.BD

○ **VSB241834 .BD**

VSB301834 .BD

VSB361834 .BD

▲ **VSB361834 .2BD**

21" Deep
VSB182134 R or L.BD

○ **VSB242134 .BD**

VSB302134 .BD

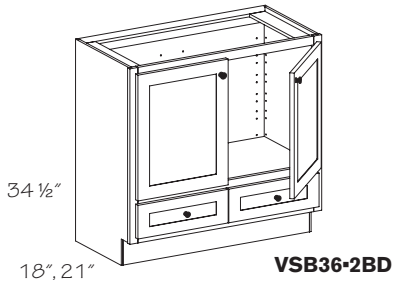
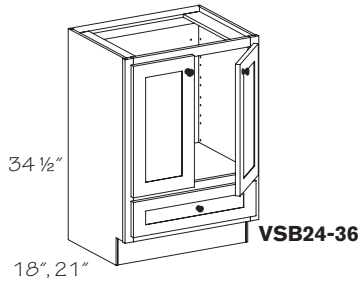
VSB362134 .BD

▲ **VSB362134 .2BD**

○ Change Width (CW) option *not* available

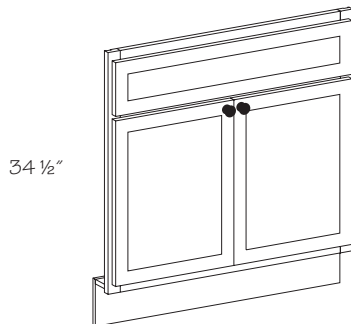
▲ Two drawers side by side

- Specify R or L for single door hinging
- 2 1/4" high drawer box



Vanity Sink Front

● PE	● ID
● APC	● CH
● APFC	● IF
● FPFB	● TWR
● MI	● WR
● DE	● XS
● OE	● GD
● AD_E	● RTK
☆ CW	● VTK
● RD	● TKD



VSF1834 R or L

○ **VSF2434**

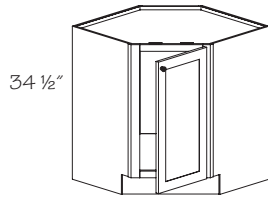
VSF3034

VSF3634

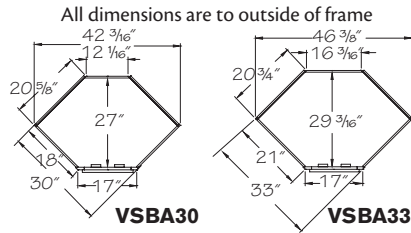
○ Change Width (CW) option *not* available

- Specify R or L for single door hinging
- Includes floor; shipped loose
- Toe kick included
- Optional Utensil Trays (UT and SUT) are available
- **Not** trimmable

Vanity Sink Base Angle-Full-Height



VSBA301834 R or L.FH
VSBA332134 R or L.FH



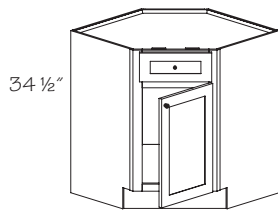
- Specify R or L for single door hinging
- No shelf
- Angled back provides clearance for installation
- Back Options (BEB and VGRB) **not** available
- Contrasting Back Options (CBEB, CPLB, CVGR) **not** available
- **Note:** Full overlay door styles use a 1/2" overlay hinge

● PE	● ID
● APC	● CH
● APFC	● IF
● FPEB	● TWR
● MI	● WR
DE	XS
OE	● GD
AD_E	● RTK
CW	● VTK
RD	TKD

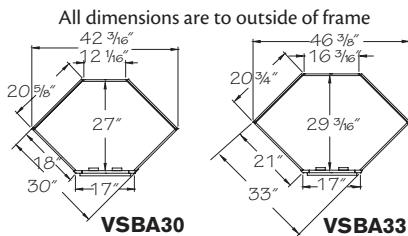


Full overlay doors on cabinets with an angled front are intentionally narrower to allow proper clearance of adjacent cabinets.

Vanity Sink Base Angle-Single Door



VSBA301834 R or L
VSBA332134 R or L

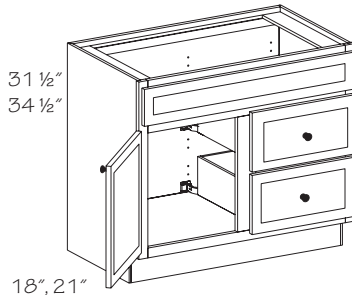


- Specify R or L for single door hinging
- No shelf
- One drawer front
- Optional Utensil Trays (UT and SUT) are available
- Angled back provides clearance for installation
- Back Options (BEB and VGRB) **not** available
- Contrasting Back Options (CBEB, CPLB, CVGR) **not** available
- **Note:** Full overlay door styles use a 1/2" overlay hinge

● PE	● ID
● APC	● CH
● APFC	● IF
● FPEB	● TWR
● MI	● WR
DE	XS
OE	● GD
AD_E	● RTK
CW	● VTK
RD	TKD

Notes

Vanity Combination Drawer (2)



Drawers Left

31 1/2" High, 18" Deep

VCD241831 DL2
VCD271831 DL2
VCD301831 DL2
VCD331831 DL2
VCD361831 DL2
VCD391831 DL2

Drawer-Door widths

12-12
 12-15
 12-18
 12-21
 15-21
 15-24

- Two deep drawers
- One drawer front
- Optional Vanity Wood Tiered Drawer Storage (VWTDTS), Vanity Shallow Wood Tiered Drawer Storage (VSWTDS) and Vanity Adjustable Drawer Divider (VADD) are available

● PE	● ID
● APC	● CH
● APFC	● IF
● FPFB	● TWR
● MI	● WR
● DE	● XS
● OE	● GD
● AD_E	● RTK
● CW	● VTK
● RD	● TKD

Drawers Left

31 1/2" High, 21" Deep

VCD242131 DL2
VCD272131 DL2
VCD302131 DL2
VCD332131 DL2
VCD362131 DL2
VCD392131 DL2

12-12
 12-15
 12-18
 12-21
 15-21
 15-24

Drawers Left

34" High, 18" Deep

VCD241834 DL2
VCD271834 DL2
VCD301834 DL2
VCD331834 DL2
VCD361834 DL2
VCD391834 DL2

12-12
 12-15
 12-18
 12-21
 15-21
 15-24

Drawers Left

34" High, 21" Deep

VCD242134 DL2
VCD272134 DL2
VCD302134 DL2
VCD332134 DL2
VCD362134 DL2
VCD392134 DL2

12-12
 12-15
 12-18
 12-21
 15-21
 15-24

Drawers Right

31 1/2" High, 18" Deep

VCD241831 DR2
VCD271831 DR2
VCD301831 DR2
VCD331831 DR2
VCD361831 DR2
VCD391831 DR2

Door-Drawer widths

12-12
 15-12
 18-12
 21-12
 21-15
 24-15

Drawers Right

31 1/2" High, 21" Deep

VCD242131 DR2
VCD272131 DR2
VCD302131 DR2
VCD332131 DR2
VCD362131 DR2
VCD392131 DR2

12-12
 15-12
 18-12
 21-12
 21-15
 24-15

Drawers Right

34 1/2" High, 18" Deep

VCD241834 DR2
VCD271834 DR2
VCD301834 DR2
VCD331834 DR2
VCD361834 DR2
VCD391834 DR2

12-12
 15-12
 18-12
 21-12
 21-15
 24-15

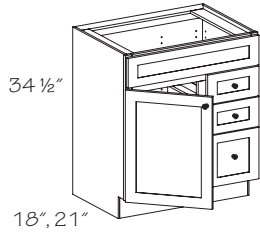
Drawers Right

34 1/2" High, 21" Deep

VCD242134 DR2
VCD272134 DR2
VCD302134 DR2
VCD332134 DR2
VCD362134 DR2
VCD392134 DR2

12-12
 15-12
 18-12
 21-12
 21-15
 24-15

Vanity Combination Drawer (3)



Drawers Left
34 1/2" High, 18" Deep *Drawer-Door widths*

- * **VCD241834 DL3** 12-12
- VCD271834 DL3** 12-15
- VCD301834 DL3** 12-18
- VCD331834 DL3** 12-21
- VCD361834 DL3** 15-21
- VCD391834 DL3** 15-24

Drawers Left
34 1/2" High, 21" Deep

- * **VCD242134 DL3** 12-12
- VCD272134 DL3** 12-15
- VCD302134 DL3** 12-18
- VCD332134 DL3** 12-21
- VCD362134 DL3** 15-21
- VCD392134 DL3** 15-24

Drawers Right
34 1/2" High, 18" Deep *Door-Drawer widths*

- * **VCD241834 DR3** 12-12
- VCD271834 DR3** 15-12
- VCD301834 DR3** 18-12
- VCD331834 DR3** 21-12
- VCD361834 DR3** 21-15
- VCD391834 DR3** 24-15

Drawers Right
34 1/2" High, 21" Deep

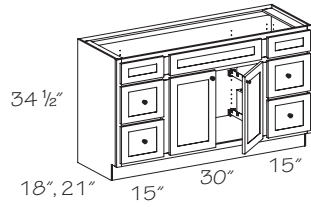
- * **VCD242134 DR3** 12-12
- VCD272134 DR3** 15-12
- VCD302134 DR3** 18-12
- VCD332134 DR3** 21-12
- VCD362134 DR3** 21-15
- VCD392134 DR3** 24-15

* Sink Base Door Storage Unit (SBDSU) **not** available

- One drawer front
- Two standard drawers
- One deep drawer
- Optional Door Storage Unit (SBDSU) is available
- Optional Vanity Wood Tiered Drawer Storage (VWTDS), Vanity Shallow Wood Tiered Drawer Storage (VSWTDS) and Vanity Adjustable Drawer Divider (VADD) are available

● PE	● ID
● APC	● CH
● APFC	● IF
● FPEB	● TWR
● MI	● WR
● DE	● XS
● OE	● GD
● AD_E	● RTK
● CW	● VTK
● RD	● TKD

Vanity Combination Drawer–Full False Front (4)

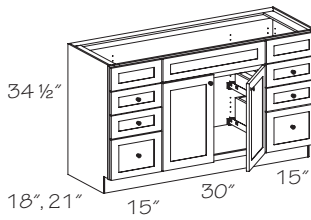


18" Deep
VCDF601834 .4
 21" Deep
VCDF602134 .4

- Four deep drawers
- Three drawer fronts
- Optional Vanity Wood Tiered Drawer Storage (VWTDS), Vanity Shallow Wood Tiered Drawer Storage (VSWTDS) and Vanity Adjustable Drawer Divider (VADD) are available

● PE	● ID
● APC	● CH
● APFC	● IF
● FPFB	● TWR
● MI	● WR
● DE	● XS
● OE	● GD
● AD_E	● RTK
● CW	● VTK
● RD	● TKD

Vanity Combination Drawer–Full False Front (6)



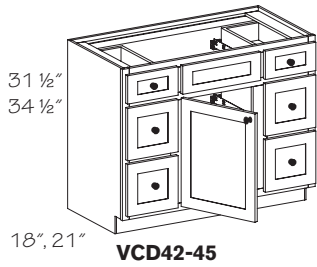
18" Deep
VCDF601834 .6
 21" Deep
VCDF602134 .6

- Four standard drawers
- Two deep drawers
- Three drawer fronts
- Optional Door Storage Unit (SBDSU) is available
- Optional Vanity Wood Tiered Drawer Storage (VWTDS), Vanity Shallow Wood Tiered Drawer Storage (VSWTDS) and Vanity Adjustable Drawer Divider (VADD) are available

● PE	● ID
● APC	● CH
● APFC	● IF
● FPFB	● TWR
● MI	● WR
● DE	● XS
● OE	● GD
● AD_E	● RTK
● CW	● VTK
● RD	● TKD

Vanity Combination Drawer (6)

● PE	● ID
● APC	● CH
● APFC	● IF
● FPFB	● TWR
● MI	● WR
● DE	● XS
● OE	● GD
● AD_E	● RTK
● CW	● VTK
● RD	☆ TKD



31 1/2" High, 18" Deep

▲+VCD421831 R or L.6

▲ VCD451831 R or L.6

VCD481831 .6

VCD511831 .6

VCD541831 .6

VCD571831 .6

VCD601831 .6

Drawer-Door-Drawer

12"-18"-12"

12"-21"-12"

12"-24"-12"

12"-27"-12"

15"-24"-15"

15"-27"-15"

15"-30"-15"

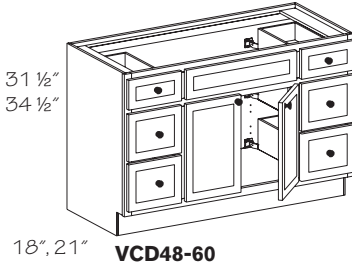
• Specify R or L for single door hinging

• Two standard drawers

• Four deep drawers

• One drawer front

• Optional Vanity Wood Tiered Drawer Storage (VWTDS), Vanity Shallow Wood Tiered Drawer Storage (VSWTDS) and Vanity Adjustable Drawer Divider (VADD) are available



31 1/2" High, 21" Deep

▲+VCD422131 R or L.6

▲ VCD452131 R or L.6

VCD482131 .6

VCD512131 .6

VCD542131 .6

VCD572131 .6

VCD602131 .6

12"-18"-12"

12"-21"-12"

12"-24"-12"

12"-27"-12"

15"-24"-15"

15"-27"-15"

15"-30"-15"

34 1/2" High, 18" Deep

▲+VCD421834 R or L.6

▲ VCD451834 R or L.6

VCD481834 .6

VCD511834 .6

VCD541834 .6

VCD571834 .6

VCD601834 .6

12"-18"-12"

12"-21"-12"

12"-24"-12"

12"-27"-12"

15"-24"-15"

15"-27"-15"

15"-30"-15"

34 1/2" High, 21" Deep

▲+VCD422134 R or L.6

▲ VCD452134 R or L.6

VCD482134 .6

VCD512134 .6

VCD542134 .6

VCD572134 .6

VCD602134 .6

12"-18"-12"

12"-21"-12"

12"-24"-12"

12"-27"-12"

15"-24"-15"

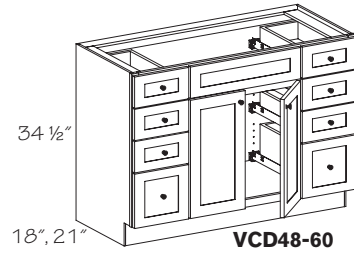
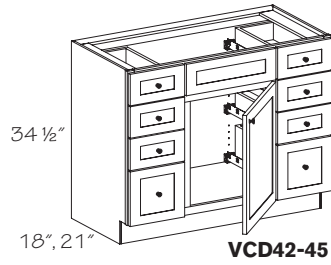
15"-27"-15"

15"-30"-15"

▲ Optional Door Storage Unit (SBDSU) is available

+ Available with Toe Kick Drawer (TKD) option

Vanity Combination Drawer (8)



- 18" Deep
- ▲+ **VCD421834 R or L.8**
 - ▲ **VCD451834 R or L.8**
 - VCD481834 .8**
 - VCD511834 .8**
 - VCD541834 .8**
 - VCD571834 .8**
 - ▲ **VCD601834 .8**

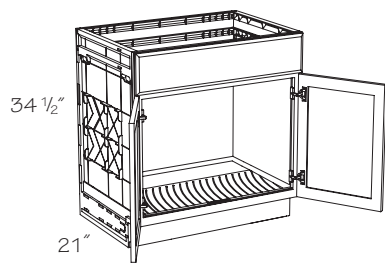
- 21" Deep
- ▲+ **VCD422134 R or L.8**
 - ▲ **VCD452134 R or L.8**
 - VCD482134 .8**
 - VCD512134 .8**
 - VCD542134 .8**
 - VCD572134 .8**
 - ▲ **VCD602134 .8**

- ▲ Optional Door Storage Unit (SBDSU) is available
- + Available with Toe Kick Drawer (TKD) option

- Drawer-Door-Drawer
- Specify R or L for single door hinging
 - Six standard drawers
 - Two deep drawers
 - Scoop Top Drawer (STDW) option available
 - Optional Vanity Wood Tiered Drawer Storage (VWTDS), Vanity Shallow Wood Tiered Drawer Storage (VSWTDS) and Vanity Adjustable Drawer Divider (VADD) are available

● PE	● ID
● APC	● CH
● APFC	● IF
● FPEB	● TWR
● MI	● WR
● DE	● XS
● OE	● GD
● AD_E	● RTK
● CW	● VTK
● RD	☆ TKD

CoreGuard® Vanity



VSB242134 .CG
VSB272134 .CG
VSB302134 .CG
VSB332134 .CG
VSB362134 .CG

Opening Sizes		
Cabinet	Top Width	Top Depth
VSB242134.CG	21 1/16"	22 3/8"
VSB272134.CG	24 1/16"	22 3/8"
VSB302134.CG	27 1/16"	22 3/8"
VSB332134.CG	30 1/16"	22 3/8"
VSB362134.CG	33 1/16"	22 3/8"

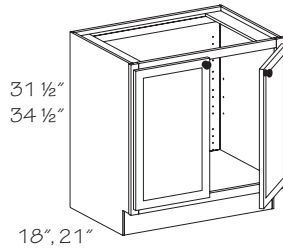
- Easy to clean and durable sink base helps protect the cabinetry from everyday leaks and spills
- Back, end and bottom panels are made of an engineered polymer material
- Bottom panel slants 1° toward front of cabinet and has raised ribs to slightly elevate stored items
- Decorative end panel required for end of peninsula or island. **Not** included, order separately
- No shelf
- One full-width false drawer front above doors
- Use CoreGuard® Panel Backer in the paneling section to resolve cutting and installation errors
- Optional Door Storage Unit (SBDSU) is available
- Optional Utensil Trays (UT and SUT) are available
- Will **not** accept Roll-out Trays (ROT)
- Includes a Touch-Up Kit (TUK)

PE	ID
APC	CH
APFC	IF
FPEB	● TWR
MI	WR
DE	● XS
OE	GD
AD_E	RTK
CW	VTK
RD	TKD



Caution: For an island/peninsula installation, the CoreGuard® Sink cabinet **must** have a minimum of one (1) 15" cabinet or larger installed adjacent to it in order for the island/peninsula to have adequate structural stability. Accessories **cannot** be installed on end panels, back or floor of the cabinet

Vanity Cabinet Full-Height Door



31 1/2" High, 18" Deep

VC181831 R or L

○ **VC241831**

VC271831

VC301831

VC331831

VC361831

◆ **VC391831**

31 1/2" High, 21" Deep

VC182131 R or L

○ **VC242131**

VC272131

VC302131

VC332131

VC362131

◆ **VC392131**

34 1/2" High, 18" Deep

VC181834 R or L

○ **VC241834**

VC271834

VC301834

VC331834

VC361834

◆ **VC391834**

■ **VC421834**

▲※ **VC481834**

34 1/2" High, 21" Deep

VC182134 R or L

○ **VC242134**

VC272134

VC302134

VC332134

VC362134

◆ **VC392134**

■ **VC422134**

▲※ **VC482134**

○ Change Width (CW) option *not* available

◆ 3" center stile

■ Factory installed Roll-out Trays (ROT) are *not* available

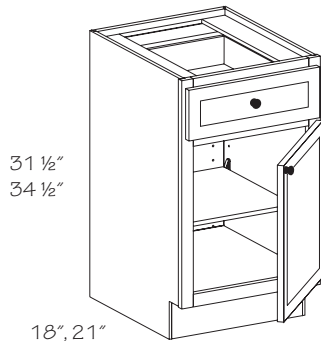
▲ Two pair of butt doors

※ Glass inserts *not* available on ends

- Specify R or L for single door hinging
- Full-height door
- No shelf
- ☆ Operational End (OE) is *not* available with Reduced Depth (RD) option

● PE	● ID
● APC	● CH
● APFC	● IF
● FPEB	● TWR
● MI	● WR
● DE	● XS
☆ OE	☆ GD
● AD_E	● RTK
☆ CW	● VTK
● RD	● TKD

Vanity Base Single Door



31 1/2" High, 18" Deep

- **VB121831 R or L**
- **VB151831 R or L**
- **VB181831 R or L**
- **VB211831 R or L**

31 1/2" High, 21" Deep

- **VB122131 R or L**
- **VB152131 R or L**
- **VB182131 R or L**
- **VB212131 R or L**

34 1/2" High, 18" Deep

- **VB121834 R or L**
- **VB151834 R or L**
- **VB181834 R or L**
- **VB211834 R or L**

34 1/2" High, 21" Deep

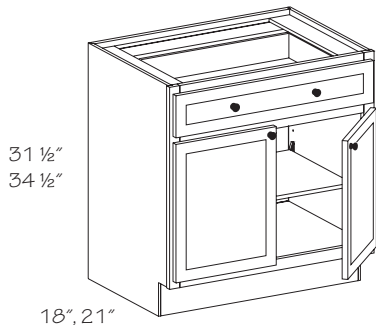
- **VB122134 R or L**
- **VB152134 R or L**
- **VB182134 R or L**
- **VB212134 R or L**

- Change Width (CW) option **not** available

- Specify R or L for single door hinging
- One standard drawer
- One adjustable shelf
- Scoop Top Drawer (STDW) option available
- ☆ Operational End (OE) is **not** available with Reduced Depth (RD) option

● PE	● ID
● APC	● CH
● APFC	● IF
● FPEB	● TWR
● MI	● WR
● DE	● XS
☆ OE	● GD
● AD_E	● RTK
☆ CW	● VTK
● RD	● TKD

Vanity Base Double Door



31 1/2" High, 18" Deep

- **VB241831**
- **VB271831**
- **VB301831**
- **VB331831**
- **VB361831**

31 1/2" High, 21" Deep

- **VB242131**
- **VB272131**
- **VB302131**
- **VB332131**
- **VB362131**

34 1/2" High, 18" Deep

- **VB241834**
- **VB271834**
- **VB301834**
- **VB331834**
- **VB361834**

34 1/2" High, 21" Deep

- **VB242134**
- **VB272134**
- **VB302134**
- **VB332134**
- **VB362134**

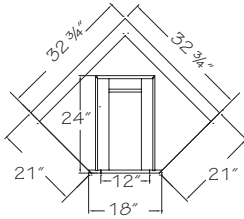
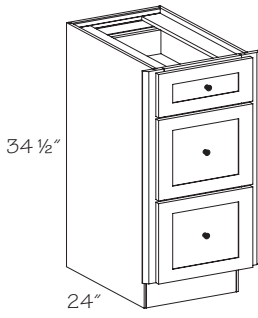
- Change Width (CW) option **not** available

- One adjustable shelf
- One standard drawer
- Scoop Top Drawer (STDW) option available
- ☆ Operational End (OE) is **not** available with Reduced Depth (RD) option

● PE	● ID
● APC	● CH
● APFC	● IF
● FPEB	● TWR
● MI	● WR
● DE	● XS
☆ OE	● GD
● AD_E	● RTK
☆ CW	● VTK
● RD	● TKD

Vanity Drawer Base Angle Three Drawer

VDA332134 .3



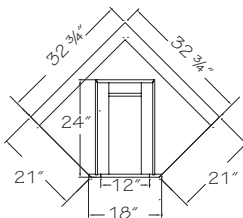
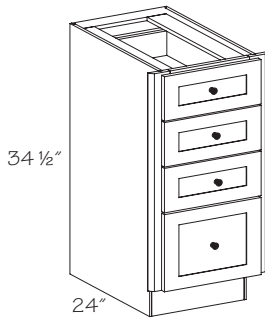
All dimensions are to outside of frame

- Angled frame designed for diagonal corner installation only
- Scoop Top Drawer (STDW) option available

● PE	ID
● APC	CH
● APFC	IF
● FPEB	● TWR
MI	WR
DE	XS
OE	GD
AD_E	RTK
CW	● VTK
RD	TKD

Vanity Drawer Base Angle Four Drawer

VDA332134 .4

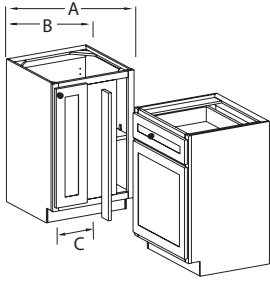


All dimensions are to outside of frame

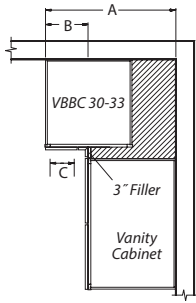
- Angled frame designed for diagonal corner installation only
- Scoop Top Drawer (STDW) option available

● PE	ID
● APC	CH
● APFC	IF
● FPEB	● TWR
MI	WR
DE	XS
OE	GD
AD_E	RTK
CW	● VTK
RD	TKD

Vanity Base Blind Corner Cabinet Information



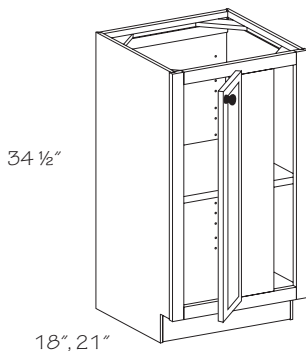
- Specify R or L; R or L indicates blind
- All vanity blind corner cabinets **must** be pulled. Consult chart or pull dimensions and minimum wall space requirements
- Door hinged on same side as blind on single door cabinets
- A 3" vanity filler is included with each VBBC cabinet ordered, shipped separately. Vanity cabinet adjacent to VBBC may be ordered with an extended stile in lieu of installing supplied filler
- Overlay Panel for Wall Blind Corner Cabinet (OPWBC) is recommended for full overlay door styles and **must** be ordered separately; see Base Accessories Section
- Right blind shown



Cabinet	1/2" Overlay		Exposed Front "B"		Door Open "C"	Cab. Width	Full Overlay		Exposed Front "B"		Door Open "C"	Cab. Width
	Min★	Max	Min★	Max			Min★	Max	Min★	Max		
VBBC3018	28 1/2"	32 1/8"	10 1/2"	13 1/8"	6"	18"	30"	32 1/8"	12"	13 1/8"	6"	18"
VBBC33	31 1/2"	37 1/8"	10 1/2"	16 1/8"	6"	21"	33"	38 5/8"	12"	17 7/8"	6"	21"

★Dimensions "A" and "B" minimum requirements include optional decorative hardware clearance. You may deduct 1 1/4" if hardware is not used.

Vanity Base Blind Corner



18" Deep

VBBC301834 R or L

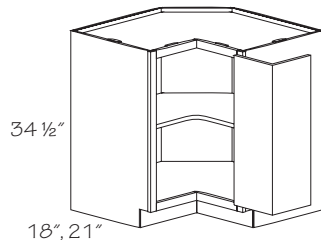
21" Deep

VBBC332134 R or L

- Specify R or L; R or L indicates blind
- Door is hinged from blind panel
- Right blind shown
- One adjustable shelf
- 3" filler included

● PE	● ID
● APC	● CH
● APFC	● IF
● FPFB	● TWR
● MI	● WR
● DE	● XS
● OE	● GD
● AD_E	● RTK
● CW	● VTK
● RD	● TKD

Vanity Easy Reach



18" Deep

- **VEZR271834 R or L**
VEZR301834 R or L

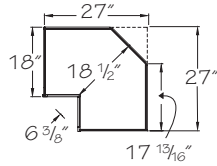
21" Deep

- **VEZR302134 R or L**
VEZR332134 R or L

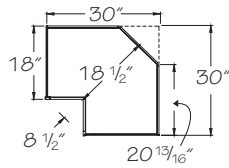
- Wood-Grain Foil door styles will be supplied as vertical grain slabs

- Specify R or L for single door hinging
- One fixed shelf
- Doors are profiled on one long and two short edges and are connected with hinges
- Angled back provides clearance for installation
- Contrasting Back Options (CBEB, CPLB, CVGR) **not** available
- **Note:** Does **not** include Soft-Close feature

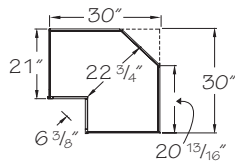
● PE	● ID
● APC	● CH
● APFC	● IF
● FPFB	● TWR
● MI	● WR
● DE	● XS
● OE	● GD
● AD_E	● RTK
● CW	● VTK
● RD	● TKD



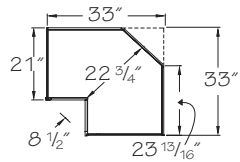
VEZR271834



VEZR301834



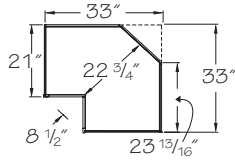
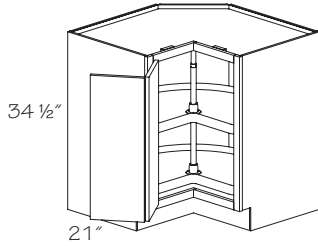
VEZR302134



VEZR332134

Vanity Easy Reach Wood Lazy Susan

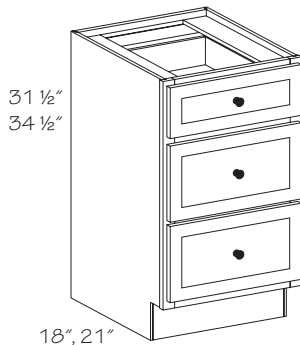
VEZR332134 R or L.WLS



- Specify R or L for single door hinging
- Two pie-cut 28" diameter rotating shelves
- Angled back provides clearance for installation
- Doors are profiled on one long and two short edges and are connected with hinges
- Face frame is scooped for hinge installation on full overlay door styles
- Back Options (BEB and VGRB) **not** available
- Contrasting Back Options (CBEB, CPLB, CVGR) **not** available
- **Note:** Does **not** include Soft-Close feature

● PE	● ID
● APC	● CH
● APFC	● IF
● FPFB	● TWR
● MI	● WR
● DE	● XS
● OE	● GD
● AD_E	● RTK
● CW	● VTK
● RD	● TKD

Vanity Base Drawer



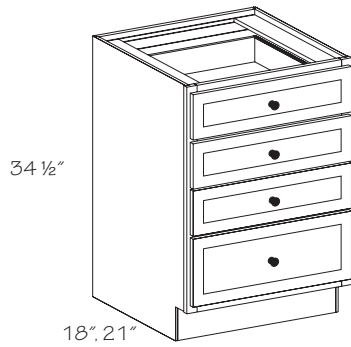
- | | |
|-----------------------|-----------------------|
| ○ VBD121831 .3 | ○ VBD122134 .3 |
| ○ VBD151831 .3 | ○ VBD152134 .3 |
| ○ VBD181831 .3 | ○ VBD182134 .3 |
| ○ VBD122131 .3 | ○ VBD212134 .3 |
| ○ VBD152131 .3 | ○ VBD242134 .3 |
| ○ VBD182131 .3 | ▲ VBD272134 .3 |
| ○ VBD121834 .3 | ▲ VBD302134 .3 |
| ○ VBD151834 .3 | ▲ VBD332134 .3 |
| ○ VBD181834 .3 | ▲ VBD362134 .3 |
| ○ VBD211834 .3 | |
| ○ VBD241834 .3 | |
| ▲ VBD271834 .3 | |
| ▲ VBD301834 .3 | |
| ▲ VBD331834 .3 | |
| ▲ VBD361834 .3 | |

- Change Width (CW) option **not** available
- ▲ **Not** available with Vanity Wood Tiered Drawer Storage (VWTDS), Vanity Shallow Wood Tiered Drawer Storage (VSWTDS) and Vanity Adjustable Drawer Divider (VADD)

- One standard drawer
- Two deep drawers
- Optional Vanity Wood Tiered Drawer Storage (VWTDS), Vanity Shallow Wood Tiered Drawer Storage (VSWTDS) and Vanity Adjustable Drawer Divider (VADD) are available
- Scoop Top Drawer (STDW) option available

● PE	● ID
● APC	● CH
● APFC	● IF
● FPFB	● TWR
● MI	● WR
● DE	● XS
● OE	● GD
● AD_E	● RTK
☆ CW	● VTK
● RD	● TKD

Vanity Base Four Drawer



18" Deep

- **VBD121834 .4**
- **VBD151834 .4**
- **VBD181834 .4**
- **VBD211834 .4**
- **VBD241834 .4**
- ▲ **VBD271834 .4**
- ▲ **VBD301834 .4**
- ▲ **VBD331834 .4**
- ▲ **VBD361834 .4**

21" Deep

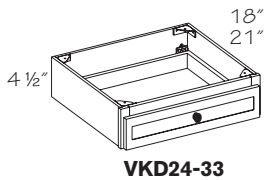
- **VBD122134 .4**
- **VBD152134 .4**
- **VBD182134 .4**
- **VBD212134 .4**
- ▲ **VBD242134 .4**
- ▲ **VBD272134 .4**
- ▲ **VBD302134 .4**
- ▲ **VBD332134 .4**
- ▲ **VBD362134 .4**

- Change Width (CW) option *not* available
- ▲ *Not* available with Vanity Wood Tiered Drawer Storage (VWTDS), Vanity Shallow Wood Tiered Drawer Storage (VSWTDS) and Vanity Adjustable Drawer Divider (VADD)

- Three standard height drawers
- One deep drawer
- Optional Vanity Wood Tiered Drawer Storage (VWTDS), Vanity Shallow Wood Tiered Drawer Storage (VSWTDS) and Vanity Adjustable Drawer Divider (VADD) are available
- Scoop Top Drawer (STDW) option available

● PE	● ID
● APC	● CH
● APFC	● IF
● FPEB	● TWR
● MI	● WR
● DE	● XS
● OE	● GD
● AD_E	● RTK
☆ CW	● VTK
● RD	● TKD

Vanity Knee Drawer



VKD24-33

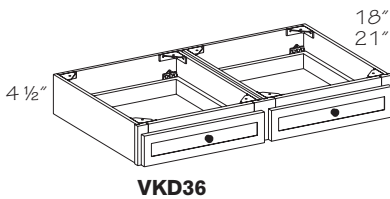
18" Deep

- **VKD2418**
- **VKD2718**
- **VKD3018**
- **VKD3318**
- **VKD3618**

21" Deep

- ▲ **VKD2421**
- ▲ **VKD2721**
- ▲ **VKD3021**
- ▲ **VKD3321**
- ▲ **VKD3621**

- ▲ Two drawers side by side

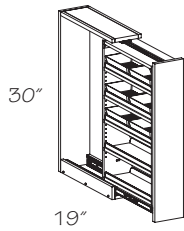


VKD36

- Unit is designed for use between two Vanity cabinets
- Drawer will be slab, including DRPD, except Martel-Full and Rockwell door styles
- *Not* trimmable
- ☆ End panels are 1/2" plywood with Natural Birch printed wood grain laminate interior and exterior

☆ PE	● ID
● APC	● CH
● APFC	● IF
● FPEB	● TWR
● MI	● WR
● DE	● XS
● OE	● GD
● AD_E	● RTK
● CW	● VTK
● RD	● TKD

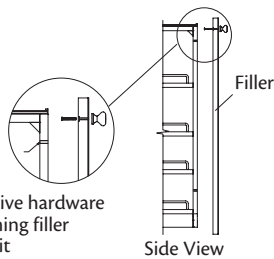
Vanity Filler Pull-out



VFP32130
VFP62130

- Four adjustable shelves, one fixed shelf
- Includes six clear plastic trays; replacements available. See Vanity Accessories section
- Unit slides on full extension side-mount runners
- Crafted or Quartersawn door styles will be supplied in plain sawn wood
- Painted or Stained hardwood supplied for Wood-Grain Foil door styles
- Recommended installation is between two cabinets
- Installation may also be made between a cabinet and a wall or a cabinet and an end panel with stile
- Filler is included, but unattached. Unit should be installed before removing shipping brace and attaching filler
- A filler overlay is recommended for full overlay door styles; **must** be ordered separately
- No toe kick

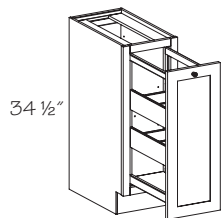
PE	ID
APC	CH
APFC	IF
FPEB	TWR
MI	WR
DE	XS
OE	GD
AD_E	RTK
CW	VTK
RD	TKD



Install decorative hardware prior to attaching filler to pull-out unit

Side View

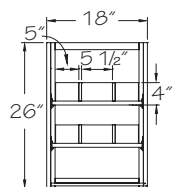
Vanity Base Pull-out



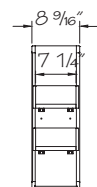
VBP122134 7 1/4" shelf width

- One fixed wood shelf attached to the bottom of a full-height door
- Two adjustable shelves
- Two removable dividers in each adjustable shelf
- Unit slides on heavy duty full extension runners with integrated buffer

● PE	● ID
● APC	● CH
● APFC	● IF
● FPEB	● TWR
● MI	● WR
● DE	● XS
● OE	● GD
● AD_E	● RTK
● CW	● VTK
● RD	● TKD

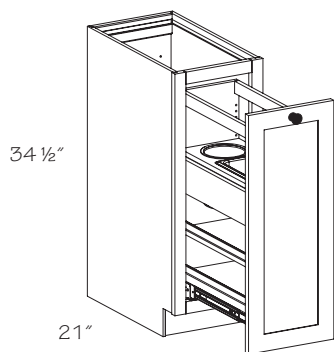


Side view



Front view

Vanity Base Pull-out Appliance

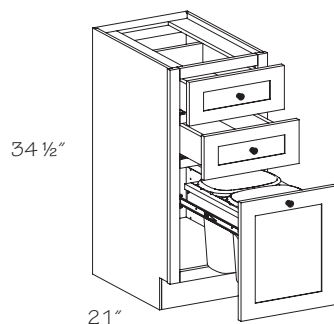


VPOA122134

- One fixed wood shelf attached to the bottom of a full-height door
- Two adjustable shelves
- Unit slides on full extension side-mount runners
- Includes two metal trays for curling irons, hair dryers, etc

● PE	● ID
● APC	● CH
● APFC	● IF
● FPEB	● TWR
● MI	● WR
● DE	● XS
● OE	● GD
● AD_E	● RTK
● CW	● VTK
● RD	● TKD

Vanity Base Top Mount Wastebasket-Double



Without Sidemount Soft-Close

VBWBT152134

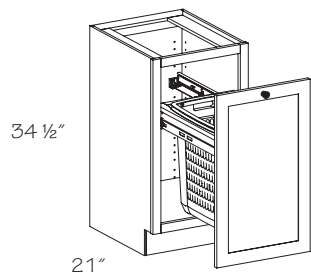
With Sidemount Soft-Close

VBWBT152134 .SC

- 10 qt. capacity baskets
- Basket(s) are easily removable for emptying or cleaning
- Basket(s) rest in a Natural Maple plywood frame
- Two standard drawers
- Frame slides on full extension glides
- Optional Wastebasket Drawer Partition (WDP) is available

● PE	● ID
● APC	● CH
● APFC	● IF
● FPEB	● TWR
● MI	● WR
● DE	● XS
● OE	● GD
● AD_E	● RTK
● CW	● VTK
● RD	● TKD

Vanity Base Hamper Top Mount

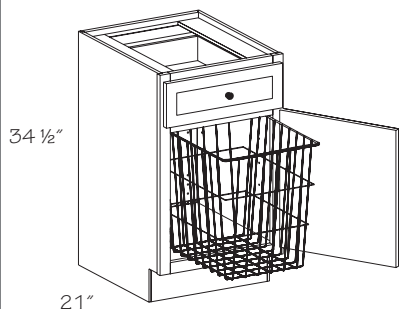


VHBT182134

- Hamper is mold and mildew resistant white plastic
- Hamper is easily removable for emptying or cleaning
- Hamper has lid
- Frame slides on extra-extended full extension glides
- Hamper Dimensions:

● PE	● ID
● APC	● CH
● APFC	● IF
● FPEB	● TWR
● MI	● WR
● DE	● XS
● OE	● GD
● AD_E	● RTK
● CW	● VTK
● RD	● TKD

Vanity Hamper Base



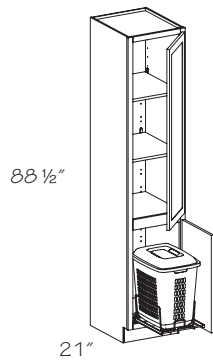
VHB152134 R or L

VHB182134 R or L

- Specify R or L for single door hinging
- One standard drawer
- Epoxy coated pull-out hamper
- Hamper Dimensions:

● PE	● ID
● APC	● CH
● APFC	● IF
● FPEB	● TWR
● MI	● WR
● DE	● XS
● OE	● GD
● AD_E	● RTK
● CW	● VTK
● RD	● TKD

Vanity Hamper Linen Cabinet 88 1/2" H

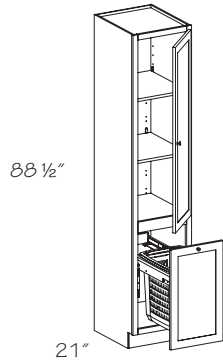


VHLC182188 R or L

- Specify R or L for single door hinging
- Two adjustable, full-depth shelves
- Removable hamper
- Hamper is mold and mildew resistant white plastic
- Hamper has lid
- Hamper slides on full extension glides
- Hamper Dimensions:
- **Not** available in mitered Wood-Grain Foil door styles

● PE	● ID
● APC	● CH
● APFC	● IF
● FPEB	● TWR
● MI	● WR
● DE	● XS
● OE	● GD
● AD_E	● RTK
● CW	● VTK
● RD	● TKD

Vanity Hamper Linen Cabinet Top Mount 88 1/2" H

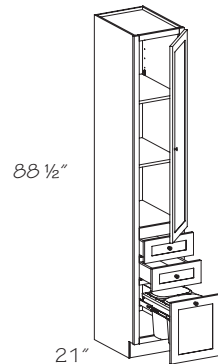


VHLC182188 R or L

- Specify R or L for single door hinging
- Two adjustable, full-depth shelves
- Hamper is mold and mildew resistant white plastic
- Hamper is easily removable for emptying or cleaning
- Hamper has lid
- Frame slides on extra-extended full extension glides
- Hamper Dimensions:
- **Not** available in mitered Wood-Grain Foil door styles

● PE	● ID
● APC	● CH
● APFC	● IF
● FPEB	● TWR
● MI	● WR
● DE	● XS
● OE	● GD
● AD_E	● RTK
● CW	● VTK
● RD	● TKD

Vanity Linen Cabinet Top Mount Wastebasket-Double 88 1/2" H

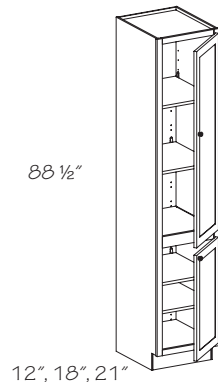


VLCWBT152188 R or L.2

- Specify R or L for single door hinging
- Two adjustable, full-depth shelves
- Two standard drawers
- 10 qt. capacity baskets
- Basket(s) rest in a Natural Maple plywood frame
- Basket(s) are easily removable for emptying or cleaning
- Frame slides on full extension glides
- Optional Wastebasket Drawer Partition (WDP) is available
- **Not** available in mitered Wood-Grain Foil door styles

● PE	● ID
● APC	● CH
● APFC	● IF
● FPEB	● TWR
● MI	● WR
● DE	● XS
● OE	● GD
● AD_E	● RTK
● CW	● VTK
● RD	● TKD

Vanity Linen Cabinet 88 1/2" H



12" Deep

VLC151288 R or L

VLC181288 R or L

VLC211288 R or L

18" Deep

VLC151888 R or L

VLC181888 R or L

VLC211888 R or L

21" Deep

VLC152188 R or L

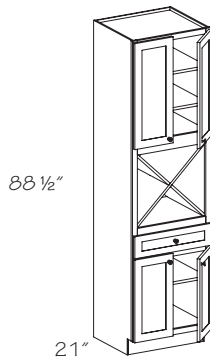
VLC182188 R or L

VLC212188 R or L

- Specify R or L for single door hinging
- Four adjustable shelves
- **Not** available in mitered Wood-Grain Foil door styles
- ☆ Operational End (OE) is **not** available with Reduced Depth (RD) option
- ☆ Glass inserts **not** available Top and Bottom, Top and Bottom and End, Top and Bottom and Ends Both

● PE	● ID
● APC	● CH
● APFC	● IF
● FPEB	● TWR
● MI	● WR
● DE	● XS
☆ OE	☆ GD
● AD_E	● RTK
● CW	● VTK
● RD	● TKD

Vanity Linen Towel Storage

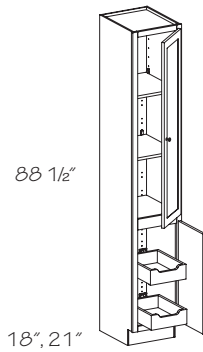


VTL242188

- One full-depth shelf in lower section
- Two full-depth shelves in upper section
- One standard drawer
- **Not** available in mitered Wood-Grain Foil door styles

PE	ID
❖ APC	CH
● APFC	IF
FPEB	TWR
❖ MI	● WR
DE	● XS
OE	● GD
● AD_E	● RTK
CW	● VTK
RD	● TKD

Vanity Linen Cabinet Deluxe Roll-out Tray (2)



18" Deep

VLC151888 R or L.2DXROT
VLC181888 R or L.2DXROT
VLC211888 R or L.2DXROT

21" Deep

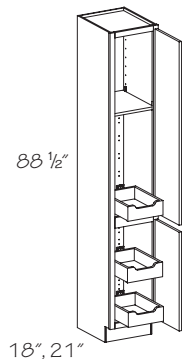
VLC152188 R or L.2DXROT
VLC182188 R or L.2DXROT
VLC212188 R or L.2DXROT

- Specify R or L for single door hinging
- Two adjustable shelves in upper section
- Roll-out Trays (ROT) are 4" deep, 5/8" solid wood dovetailed sides with 3/16" plywood bottom, notched front and full extension runners with integrated buffer
- **Not** available in mitered Wood-Grain Foil door styles

PE	ID
● APC	CH
● APFC	IF
● FPEB	TWR
● MI	● WR
● DE	● XS
OE	☆ GD
● AD_E	● RTK
● CW	● VTK
● RD	● TKD

☆ Glass doors available for top doors only

Vanity Linen Cabinet Deluxe Roll-out Tray (3)



18" Deep

VLC151888 R or L.3DXROT
VLC181888 R or L.3DXROT
VLC211888 R or L.3DXROT

21" Deep

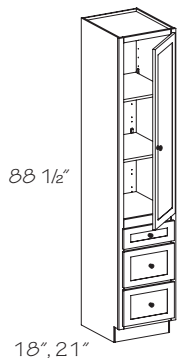
VLC152188 R or L.3DXROT
VLC182188 R or L.3DXROT
VLC212188 R or L.3DXROT

- Specify R or L for single door hinging
- One adjustable full-depth shelf in upper section
- Roll-out Trays (ROT) are 4" deep, 5/8" solid wood dovetailed sides with 3/16" plywood bottom, notched front and full extension runners with integrated buffer
- **Not** available in mitered Wood-Grain Foil door styles

PE	ID
● APC	CH
● APFC	IF
● FPEB	TWR
● MI	● WR
● DE	● XS
OE	☆ GD
● AD_E	● RTK
● CW	● VTK
● RD	● TKD

☆ Glass doors available for top doors only

Vanity Linen Cabinet Three Drawer



18" Deep

VLC151888 R or L.3
VLC181888 R or L.3

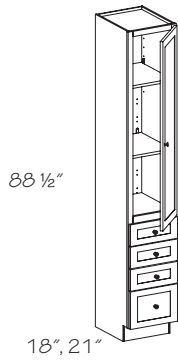
21" Deep

VLC152188 R or L.3
VLC182188 R or L.3

- Specify R or L for single door hinging
- Two adjustable shelves in upper section
- One standard drawer
- Two deep drawers
- Optional Vanity Wood Tiered Drawer Storage (VWTDS), Vanity Shallow Wood Tiered Drawer Storage (VSWTDS) and Vanity Adjustable Drawer Divider (VADD) are available
- **Not** available in mitered Wood-Grain Foil door styles

PE	ID
● APC	CH
● APFC	IF
● FPEB	TWR
● MI	● WR
● DE	● XS
OE	● GD
● AD_E	● RTK
● CW	● VTK
● RD	● TKD

Vanity Linen Cabinet Four Drawer



18" Deep

VLC151888 R or L.4

VLC181888 R or L.4

21" Deep

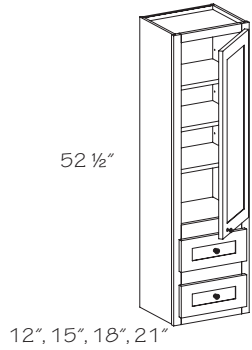
VLC152188 R or L.4

VLC182188 R or L.4

- Specify R or L for single door hinging
- Two adjustable shelves in upper section
- Three standard height drawers
- One deep drawer
- Optional Vanity Wood Tiered Drawer Storage (VWTDS), Vanity Shallow Wood Tiered Drawer Storage (VSWTDS) and Vanity Adjustable Drawer Divider (VADD) are available
- **Not** available in mitered Wood-Grain Foil door styles

● PE	● ID
● APC	● CH
● APFC	● IF
● FPEB	● TWR
● MI	● WR
● DE	● XS
● OE	● GD
● AD_E	● RTK
● CW	● VTK
● RD	● TKD

Vanity Linen Short Two Drawer



12" Deep

VLC151252 R or L.2

15" Deep

VLC151552 R or L.2

18" Deep

VLC151852 R or L.2

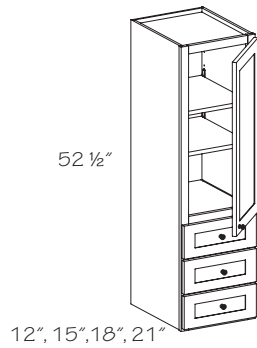
21" Deep

VLC152152 R or L.2

- Specify R or L for single door hinging
- Three adjustable shelves in upper section(s)
- Two standard drawers

● PE	● ID
● APC	● CH
● APFC	● IF
● FPEB	● TWR
● MI	● WR
● DE	● XS
● OE	● GD
● AD_E	● RTK
● CW	● VTK
● RD	● TKD

Vanity Linen Short Three Drawer



12" Deep

VLC151252 R or L.3

15" Deep

VLC151552 R or L.3

18" Deep

VLC151852 R or L.3

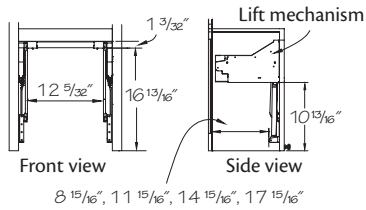
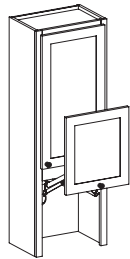
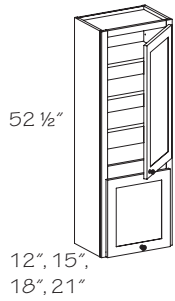
21" Deep

VLC152152 R or L.3

- Specify R or L for single door hinging
- Two adjustable shelves in upper section
- Three standard height drawers

● PE	● ID
● APC	● CH
● APFC	● IF
● FPEB	● TWR
● MI	● WR
● DE	● XS
● OE	● GD
● AD_E	● RTK
● CW	● VTK
● RD	● TKD

Vanity Vertical Lift Door Wall Cabinet

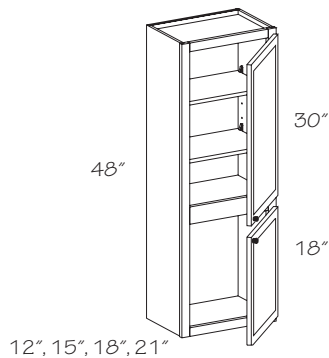


12" Deep
VV181252 R or L
 15" Deep
VV181552 R or L
 18" Deep
VV181852 R or L
 21" Deep
VV182152 R or L

- Specify R or L for single door hinging
- Three adjustable shelves in upper section(s)
- Clearance from countertop to bottom of door is 20 1/32"
- Bottom door is always square
- Shelves shipped separately
- Void All Door and Drawer Front option (VDA) is *not* available
- ☆ Glass doors available for top doors only
- ☆ Minimum Reduced Depth (RD) is 12"

● PE	● ID
● APC	● CH
● APFC	● IF
● FPFB	● TWR
● MI	● WR
● DE	● XS
● OE	☆ GD
AD_E	RTK
CW	VTK
☆ RD	TKD

Vanity Linen Cabinet 48" H

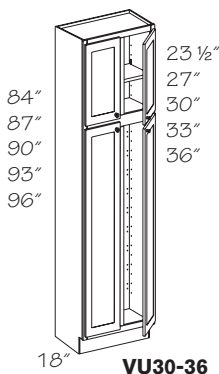
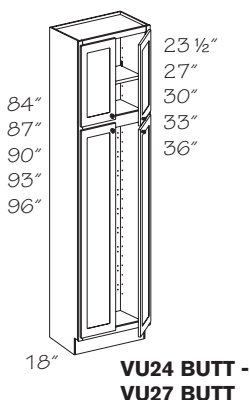
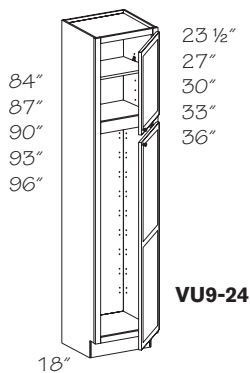


12" Deep
VLC151248 R or L
VLC181248 R or L
 15" Deep
VLC151548 R or L
VLC181548 R or L
 18" Deep
VLC151848 R or L
VLC181848 R or L
 21" Deep
VLC152148 R or L
VLC182148 R or L

- Specify R or L for single door hinging
- Two adjustable shelves in upper section
- Bottom door is always square
- ☆ Operational End (OE) is *not* available with Reduced Depth (RD) option

● PE	● ID
● APC	● CH
● APFC	● IF
● FPFB	● TWR
● MI	● WR
● DE	● XS
☆ OE	● GD
AD_E	RTK
● CW	VTK
● RD	TKD

Vanity Utility Cabinet 18" Deep



84" High		93" High	
*+○★	VU91884 R or L	*○★	VU91893 R or L
	VU121884 R or L		VU121893 R or L
	VU151884 R or L		VU151893 R or L
	VU181884 R or L		VU181893 R or L
	VU211884 R or L		VU211893 R or L
	VU241884 R or L		VU241893 R or L
○□	VU241884 BUTT	○□	VU241893 BUTT
	VU271884 (Butt)		VU271893 (Butt)
	VU301884 BUTT		VU301893 BUTT
	VU331884 BUTT		VU331893 BUTT
	VU361884 BUTT		VU361893 BUTT

87" High		96" High	
*+○★	VU91887 R or L	*○★	VU91896 R or L
	VU121887 R or L		VU121896 R or L
	VU151887 R or L		VU151896 R or L
	VU181887 R or L		VU181896 R or L
	VU211887 R or L		VU211896 R or L
	VU241887 R or L		VU241896 R or L
○□	VU241887 BUTT	○□	VU241896 BUTT
	VU271887 (Butt)		VU271896 (Butt)
	VU301887 BUTT		VU301896 BUTT
	VU331887 BUTT		VU331896 BUTT
	VU361887 BUTT		VU361896 BUTT

90" High	
*+○★	VU91890 R or L
	VU121890 R or L
	VU151890 R or L
	VU181890 R or L
	VU211890 R or L
	VU241890 R or L
○□	VU241890 BUTT
	VU271890 (Butt)
	VU301890 BUTT
	VU331890 BUTT
	VU361890 BUTT

- * Doors are square except full overlay arch door styles. Thermofoil door styles will always be square
- + Toe Kick Drawer (TKD) option not available
- Change Width (CW) option *not* available
- ★ Glass door option *not* available
- Change Height (CH) option *not* available

- Specify R or L for single door hinging
- Includes adjustable shelves in upper section: 84" & 87" high—one shelf; 90" & 93" high—two shelves; 96" high—three shelves
- Factory installed Roll-out Trays (ROT) are *not* available on Utility Cabinets wider than 24"

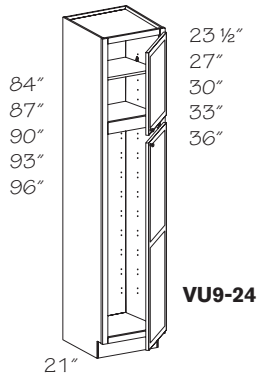
● PE	☆ ID
● APC	☆ CH
● APFC	☆ IF
● FPFB	TWR
● MI	☆ WR
● DE	● XS
☆ OE	☆ GD
● AD_E	☆ RTK
☆ CW	☆ VTK
● RD	☆ TKD

- Toe kick is shipped separately on 93" & 96" high cabinets
- ☆ When Inverted Frame (IF) is chosen in arched door styles, VU18, VU24, VU24BUTT and VU36 cabinets will have arched doors. All other cabinet sizes will be supplied with square doors
- ☆ Operational End (OE) is *not* available with Increased Depth (ID) or Reduced Depth (RD) options
- ☆ Toe Kick Drawer (TKD), Wide Bottom Rail (WR) and Recessed Toe Kick (RTK) *not* available on 93" & 96" high cabinets
- ☆ Void Toe Kick (VTK) is *not* available on 93" and 96" high cabinets
- ☆ Glass on top and bottom - select glass designs only
- **Note:** Shelf Kit (SK) for lower section *must* be ordered separately; see Shelving section

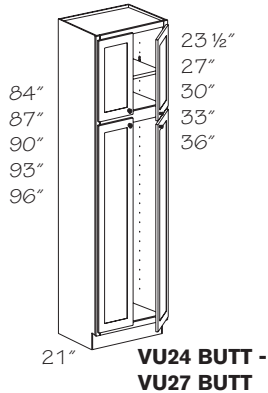


Remember to order a 3/16" skin (WSK) for the exposed ends of 93" & 96" high cabinets to conceal the seam between the loose toe kick and the cabinet.

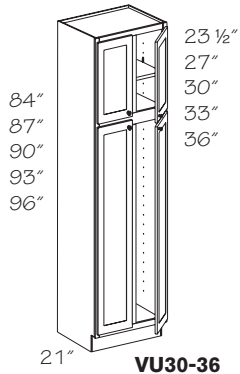
Vanity Utility Cabinet 21" Deep



- | | |
|---|--|
| <p>84" High</p> <p>*+○★ VU92184 R or L</p> <p>○ VU122184 R or L</p> <p>○ VU152184 R or L</p> <p>○ VU182184 R or L</p> <p>○ VU212184 R or L</p> <p>○ VU242184 R or L</p> <p>○ VU242184 BUTT</p> <p>○ VU272184 (Butt)</p> <p>○ VU302184 BUTT</p> <p>○ VU332184 BUTT</p> <p>○ VU362184 BUTT</p> | <p>93" High</p> <p>*○★ VU92193 R or L</p> <p>○ VU122193 R or L</p> <p>○ VU152193 R or L</p> <p>○ VU182193 R or L</p> <p>○ VU212193 R or L</p> <p>○ VU242193 R or L</p> <p>○ VU242193 BUTT</p> <p>○ VU272193 (Butt)</p> <p>○ VU302193 BUTT</p> <p>○ VU332193 BUTT</p> <p>○ VU362193 BUTT</p> |
|---|--|



- | | |
|---|--|
| <p>87" High</p> <p>*+○★ VU92187 R or L</p> <p>○ VU122187 R or L</p> <p>○ VU152187 R or L</p> <p>○ VU182187 R or L</p> <p>○ VU212187 R or L</p> <p>○ VU242187 R or L</p> <p>○ VU242187 BUTT</p> <p>○ VU272187 (Butt)</p> <p>○ VU302187 BUTT</p> <p>○ VU332187 BUTT</p> <p>○ VU362187 BUTT</p> | <p>96" High</p> <p>*○★ VU92196 R or L</p> <p>○ VU122196 R or L</p> <p>○ VU152196 R or L</p> <p>○ VU182196 R or L</p> <p>○ VU212196 R or L</p> <p>○ VU242196 R or L</p> <p>○ VU242196 BUTT</p> <p>○ VU272196 (Butt)</p> <p>○ VU302196 BUTT</p> <p>○ VU332196 BUTT</p> <p>○ VU362196 BUTT</p> |
|---|--|



- | |
|---|
| <p>90" High</p> <p>*+○★ VU92190 R or L</p> <p>○ VU122190 R or L</p> <p>○ VU152190 R or L</p> <p>○ VU182190 R or L</p> <p>○ VU212190 R or L</p> <p>○ VU242190 R or L</p> <p>○ VU242190 BUTT</p> <p>○ VU272190 (Butt)</p> <p>○ VU302190 BUTT</p> <p>○ VU332190 BUTT</p> <p>○ VU362190 BUTT</p> |
|---|

- * Doors are square except full overlay arch door styles. Thermofoil door styles will always be square
- + Toe Kick Drawer (TKD) option not available
- Change Width (CW) option **not** available
- ★ Glass door option **not** available
- Change Height (CH) option **not** available

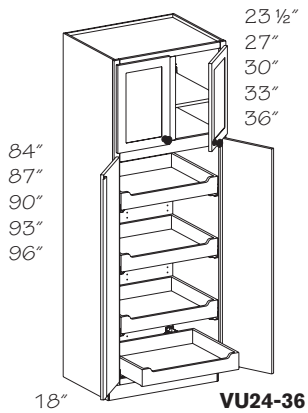
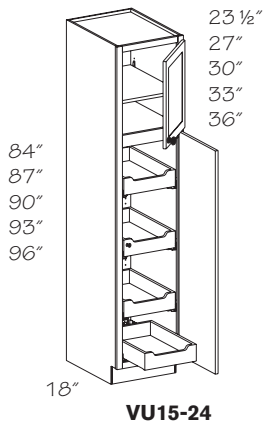
- Specify R or L for single door hinging
- Factory installed Roll-out Trays (ROT) are **not** available on Utility Cabinets wider than 24"
- Toe kick is shipped separately on 93" & 96" high cabinets
- ☆ When Inverted Frame (IF) is chosen in arched door styles, VU18, VU24, VU24BUTT and VU36 cabinets will be supplied with square doors
- ☆ Operational End (OE) is **not** available with Increased Depth (ID) or Reduced Depth (RD) options
- ☆ Wide Bottom Rail (WR) and Recessed Toe Kick (RTK) **not** available on 93" & 96" high cabinets
- ☆ Maximum Increased Depth (ID) is 24"
- ☆ Void Toe Kick (VTK) is **not** available on 93" and 96" high cabinets
- ☆ Toe Kick Drawer (TKD), Wide Bottom Rail (WR) and Recessed Toe Kick (RTK) **not** available on 93" & 96" high cabinets
- ☆ Glass on top and bottom - select glass designs only
- **Note:** Shelf Kit (SK) for lower section **must** be ordered separately; see Shelving section



Remember to order a 3/16" skin (WSK) for the exposed ends of 93" & 96" high cabinets to conceal the seam between the loose toe kick and the cabinet.

● PE	☆ ID
● APC	☆ CH
● APFC	☆ IF
● FPFB	TWR
● MI	☆ WR
● DE	● XS
☆ OE	☆ GD
● AD_E	☆ RTK
☆ CW	☆ VTK
☆ RD	☆ TKD

Vanity Utility Cabinet 18" Deep w/Deluxe Dovetailed Roll-out Tray



84" High

VU151884 R or L.4DXROT

VU181884 R or L.4DXROT

VU211884 R or L.4DXROT

VU241884 R or L.4DXROT

VU241884 BUTT.4DXROT

VU271884 (Butt).4DXROT

VU301884 BUTT.4DXROT

VU331884 BUTT.4DXROT

VU361884 BUTT.4DXROT

87" High

VU151887 R or L.4DXROT

VU181887 R or L.4DXROT

VU211887 R or L.4DXROT

VU241887 R or L.4DXROT

VU241887 BUTT.4DXROT

VU271887 (Butt).4DXROT

VU301887 BUTT.4DXROT

VU331887 BUTT.4DXROT

VU361887 BUTT.4DXROT

90" High

VU151890 R or L.4DXROT

VU181890 R or L.4DXROT

VU211890 R or L.4DXROT

VU241890 R or L.4DXROT

VU241890 BUTT.4DXROT

VU271890 (Butt).4DXROT

VU301890 BUTT.4DXROT

VU331890 BUTT.4DXROT

VU361890 BUTT.4DXROT

93" High

VU151893 R or L.4DXROT

VU181893 R or L.4DXROT

VU211893 R or L.4DXROT

VU241893 R or L.4DXROT

VU241893 BUTT.4DXROT

VU271893 (Butt).4DXROT

VU301893 BUTT.4DXROT

VU331893 BUTT.4DXROT

VU361893 BUTT.4DXROT

96" High

VU151896 R or L.4DXROT

VU181896 R or L.4DXROT

VU211896 R or L.4DXROT

VU241896 R or L.4DXROT

VU241896 BUTT.4DXROT

VU271896 (Butt).4DXROT

VU301896 BUTT.4DXROT

VU331896 BUTT.4DXROT

VU361896 BUTT.4DXROT

Change Width (CW) option *not* available

Change Height (CH) option *not* available

- Specify R or L for single door hinging
- Four adjustable Roll-out Trays (ROT) included in lower section
- Includes adjustable shelves in upper section: 84" & 87" high—one shelf; 90" & 93" high—two shelves; 96" high—three shelves
- Roll-out Trays (ROT) shipped separately on 27"–36" wide units
- Roll-out Trays (ROT) *cannot* be included when a Reduced Depth (RD) option of less than 18" is selected
- 27"–36" wide units *not* available with Reduced Depth (RD)
- Toe kick is shipped separately on 93" & 96" high cabinets

☆ When Inverted Frame (IF) is chosen in arched door styles, VU18, VU24, VU24BUTT and VU36 cabinets will have arched doors. All other cabinet sizes will be supplied with square doors

☆ Void Toe Kick (VTK) is *not* available on 93" and 96" high cabinets

☆ Glass doors available for top doors only

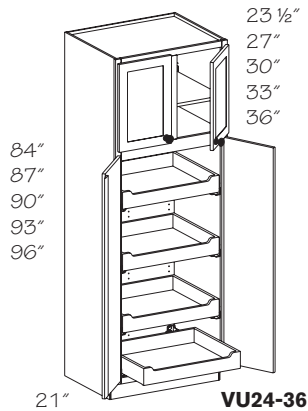
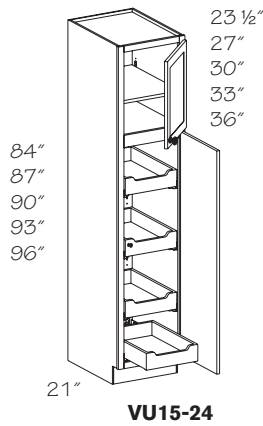


Remember to remove the white plastic "feet" from the bottom of all tall cabinets before installation.

Their sole purpose is to protect the floor after the cabinets are unboxed. Leaving them on will result in an uneven installation.

● PE	☆ ID
● APC	☆ CH
● APFC	☆ IF
● FPFB	TWR
● MI	☆ WR
● DE	● XS
● OE	☆ GD
● AD_E	☆ RTK
☆ CW	☆ VTK
● RD	☆ TKD

Vanity Utility Cabinet 21" Deep w/Deluxe Dovetailed Roll-out Tray



84" High

VU152184 R or L.4DXROT

VU182184 R or L.4DXROT

VU212184 R or L.4DXROT

VU242184 R or L.4DXROT

○□ **VU242184 BUTT.4DXROT**

VU272184 (Butt).4DXROT

VU302184 BUTT.4DXROT

VU332184 BUTT.4DXROT

VU362184 BUTT.4DXROT

87" High

VU152187 R or L.4DXROT

VU182187 R or L.4DXROT

VU212187 R or L.4DXROT

VU242187 R or L.4DXROT

○□ **VU242187 BUTT.4DXROT**

VU272187 (Butt).4DXROT

VU302187 BUTT.4DXROT

VU332187 BUTT.4DXROT

VU362187 BUTT.4DXROT

90" High

VU152190 R or L.4DXROT

VU182190 R or L.4DXROT

VU212190 R or L.4DXROT

VU242190 R or L.4DXROT

○□ **VU242190 BUTT.4DXROT**

VU272190 (Butt).4DXROT

VU302190 BUTT.4DXROT

VU332190 BUTT.4DXROT

VU362190 BUTT.4DXROT

93" High

VU152193 R or L.4DXROT

VU182193 R or L.4DXROT

VU212193 R or L.4DXROT

VU242193 R or L.4DXROT

○□ **VU242193 BUTT.4DXROT**

VU272193 (Butt).4DXROT

VU302193 BUTT.4DXROT

VU332193 BUTT.4DXROT

VU362193 BUTT.4DXROT

96" High

VU152196 R or L.4DXROT

VU182196 R or L.4DXROT

VU212196 R or L.4DXROT

VU242196 R or L.4DXROT

○□ **VU242196 BUTT.4DXROT**

VU272196 (Butt).4DXROT

VU302196 BUTT.4DXROT

VU332196 BUTT.4DXROT

VU362196 BUTT.4DXROT

○ Change Width (CW) option *not* available

□ Change Height (CH) option *not* available

- Specify R or L for single door hinging
- Four adjustable Roll-out Trays (ROT) included in lower section
- Includes adjustable shelves in upper section: 84" & 87" high—one shelf; 90" & 93" high—two shelves; 96" high—three shelves
- Roll-out Trays (ROT) shipped separately on 27"–36" wide units
- Roll-out Trays (ROT) *cannot* be included when a Reduced Depth (RD) option of less than 18" is selected
- 27"–36" wide units *not* available with Reduced Depth (RD)
- Toe kick is shipped separately on 93" & 96" high cabinets
- ☆ Maximum Increased Depth (ID) is 24"
- ☆ When Inverted Frame (IF) is chosen in arched door styles, VU18, VU24, VU24BUTT and VU36 cabinets will have arched doors. All other cabinet sizes will be supplied with square doors
- ☆ Wide Bottom Rail (WR) and Recessed Toe Kick (RTK) *not* available on 93" & 96" high cabinets
- ☆ Void Toe Kick (VTK) is *not* available on 93" and 96" high cabinets
- ☆ Glass doors available for top doors only

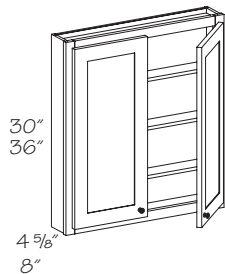
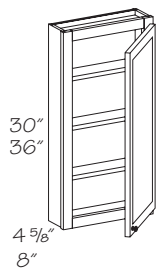


Remember to remove the white plastic "feet" from the bottom of all tall cabinets before installation.

Their sole purpose is to protect the floor after the cabinets are unboxed. Leaving them on will result in an uneven installation.

● PE	☆ ID
● APC	☆ CH
● APFC	☆ IF
● FPFB	TWR
● MI	☆ WR
● DE	● XS
● OE	☆ GD
● AD_E	☆ RTK
☆ CW	☆ VTK
● RD	☆ TKD

Vanity Wall Cabinet



4 5/8" Deep
30" High

VW120430 R or L

VW150430 R or L

VW240430

VW270430

4 5/8" Deep
36" High

VW120436 R or L

VW150436 R or L

VW240436

VW270436

8" Deep
30" High

VW120830 R or L

VW150830 R or L

VW240830

VW270830

8" Deep
36" High

VW120836 R or L

VW150836 R or L

VW240836

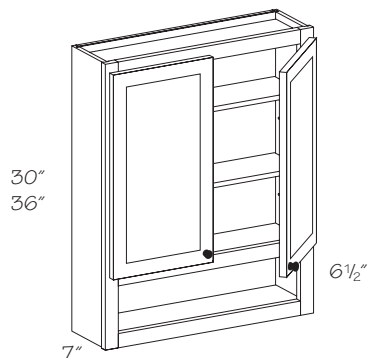
VW270836

Change Width (CW) option *not* available

- Specify R or L for single door hinging
- Three adjustable 1/2" thick shelves
- Contrasting Back Options (CBEB, CPLB, CVGR) *not* available

● PE	● ID
● APC	● CH
● APFC	IF
● FPFB	TWR
● MI	WR
DE	● XS
OE	● GD
AD_E	RTK
☆ CW	VTK
RD	TKD

Vanity Wall Boutique



30" High

VWB2430

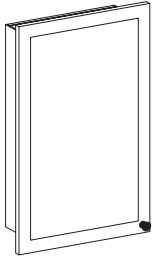
36" High

VWB2436

- Two adjustable shelves
- Replacement shelf available; specify WSVWB24

● PE	● ID
● APC	● CH
● APFC	IF
● FPFB	TWR
❖ MI	WR
DE	● XS
OE	● GD
AD_E	RTK
CW	VTK
● RD	TKD

Vanity Wall–Recessed Mount



VWR1727.18
VWR1727.24

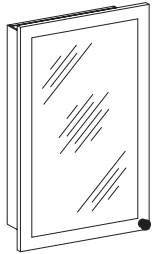
Rough-in dimensions

Cabinet	Width	Height	Depth
VWR1727•18	14 1/4"	18"	3 7/8"
VWR1727•24	14 1/4"	28"	3 7/8"

- Designed for recess installation
- Two adjustable 1/2" thick shelves
- Reversible (manufactured hinge left)
- If ordered in an arched door style, it will be supplied square
- Door Sizes:
1/2" Overlay = 17" 1/2 x 28"
Full Overlay = 17 5/8" x 29 5/8"
- Contrasting Back Options (CBEB, CPLB, CVGR) **not** available
- **Not** available with Aluminum Frame Glass doors
- **Not** available in EverCore™, High-Gloss Foil or Wood-Grain Foil door styles
- **Note:** Does **not** include Soft-Close feature

● PE	ID
● APC	CH
● APFC	IF
● FPEB	TWR
● MI	WR
DE	XS
OE	● GD
AD_E	RTK
CW	VTK
RD	TKD

Mirror Cabinet–Recessed Mount



MC1727.18
MC1727.24

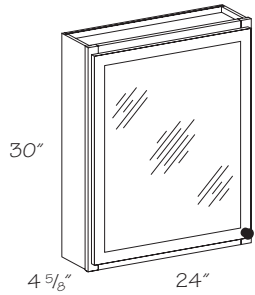
Rough-in dimensions

Cabinet	Width	Height	Depth
MC1727•18	14 1/4"	18"	3 7/8"
MC1727•24	14 1/4"	24"	3 7/8"

- Designed for recess installation
- Two adjustable 1/2" thick shelves
- Reversible (manufactured hinge left)
- If ordered in an arched door style, it will be supplied square
- This cabinet door includes a representative profile that may **not** match the chosen door style exactly, but will blend with most
- Door Size is 17" x 27 1/2" for all overlays
- Contrasting Back Options (CBEB, CPLB, CVGR) **not** available
- **Not** available in EverCore™, High-Gloss Foil or Wood-Grain Foil door styles
- **Note:** Does **not** include Soft-Close feature

● PE	ID
● APC	CH
● APFC	IF
● FPEB	TWR
● MI	WR
DE	XS
OE	GD
AD_E	RTK
CW	VTK
RD	TKD

Mirror Cabinet–Surface Mount

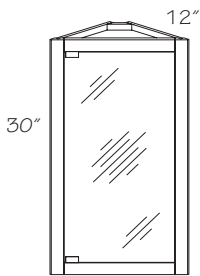


MC2430

- Designed for surface mount installation
- Three adjustable 1/2" thick shelves
- Reversible (manufactured hinge left)
- If ordered in an arched door style, it will be supplied square
- Face frame has profiled outer edge
- Contrasting Back Options (CBEB, CPLB, CVGR) **not** available
- **Not** available in EverCore™, High-Gloss Foil or Wood-Grain Foil door styles

● PE	ID
● APC	CH
● APFC	IF
● FPFB	TWR
● MI	WR
DE	XS
OE	GD
AD_E	RTK
CW	VTK
RD	TKD

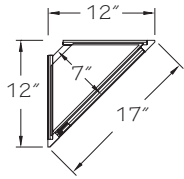
Vanity Mirror Angle Cabinet



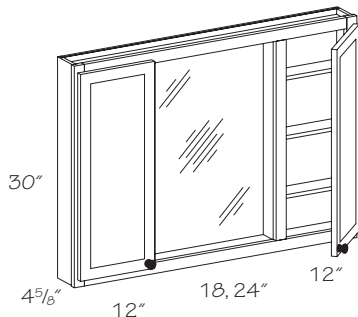
VMA1230 .PC
VMA1230 .SN

- Two adjustable 1/2" thick shelves
- Reversible (manufactured hinge left)
- Hinges and touch latch available in Polished Chrome (PC) or Satin Nickel (SN)
- Painted or Stained hardwood supplied for Wood-Grain Foil door styles
- Contrasting Back Options (CBEB, CPLB, CVGR) **not** available

● PE	ID
● APC	CH
● APFC	IF
● FPFB	TWR
● MI	WR
DE	XS
OE	GD
AD_E	RTK
CW	VTK
RD	TKD



Vanity Mirror Cabinet

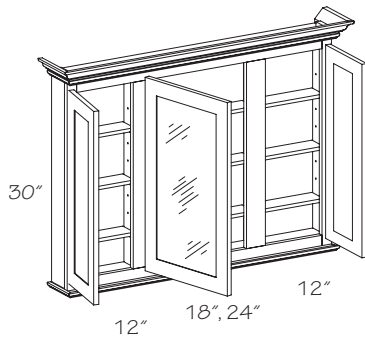


VMC4230
VMC4830

- Designed for surface mount installation
- Six adjustable 1/2" thick shelves
- Recessed center mirror
- Contrasting Back Options (CBEB, CPLB, CVGR) **not** available
- **Not** available in High-Gloss Foil door styles

● PE	ID
● APC	CH
● APFC	IF
● FPFB	TWR
● MI	WR
DE	● XS
OE	● GD
AD_E	RTK
CW	VTK
RD	TKD

Vanity Mirror Cabinet Storage



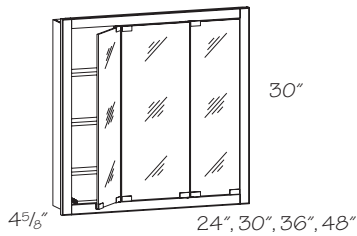
VMCS4230 .ACM
VMCS4830 .ACM
VMCS4230 .CCM
VMCS4830 .CCM
VMCS4230 .LCM
VMCS4830 .LCM
 * **VMCS4230 .LCVM**
 * **VMCS4830 .LCVM**
VMCS4230 .LFDM
VMCS4830 .LFDM
VMCS4230 .T
VMCS4830 .T

* Available in Cherry, EverCore™, Thermofoil, Maple and White Wood-Grain Foil door styles only

- Solid wood frame, top and bottom plate
- Nine adjustable 1/2" shelves
- Trimmed with choice of Angle Crown Molding (ACM), Classic Crown Molding (CCM), Large Crown Molding (LCM), Large Cove Molding (LCVM) or Large Federal Molding (LFDM), Traditional Molding (T)
- Molding is plain sawn wood in quartersawn door styles
- Contrasting Back Options (CBEB, CPLB, CVGR) **not** available
- **Not** available in High-Gloss Foil door styles
- **Not** available in Wood-Grain Foil slab door styles

● PE	ID
● APC	CH
● APFC	IF
● FPEB	TWR
● MI	WR
DE	XS
OE	● GD
AD_E	RTK
CW	VTK
RD	TKD

Tri View Mirror



TV2430 .PC
TV3030 .PC
TV3630 .PC
TV4830 .PC
TV2430 .SN
TV3030 .SN
TV3630 .SN
TV4830 .SN

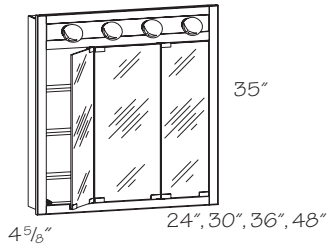
- For surface mount or recess installation
- Three adjustable 1/2" thick shelves
- Hinges and touch latch available in Polished Chrome (PC) or Satin Nickel (SN)
- Painted or Stained hardwood supplied for Wood-Grain Foil door styles

● PE	ID
● APC	CH
● APFC	IF
● FPEB	TWR
● MI	WR
DE	XS
OE	GD
AD_E	RTK
CW	VTK
RD	TKD

Rough-in dimensions

Cabinet	Width	Height	Depth
TV2430	23 11/16"	28 3/4"	3 7/8"
TV3030	29 11/16"	28 3/4"	3 7/8"
TV3630	35 11/16"	28 3/4"	3 7/8"
TV4830	47 11/16"	28 3/4"	3 7/8"

Lighted Tri View Mirror



LTV2435 .PC
LTV3035 .PC
LTV3635 .PC
LTV4835 .PC
LTV2435 .SN
LTV3035 .SN
LTV3635 .SN
LTV4835 .SN

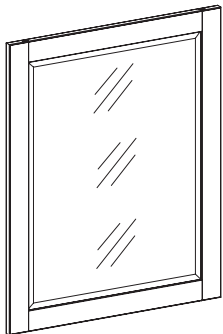
- For surface mount or recess installation
- Three adjustable 1/2" thick shelves
- Light bar, hinges and touch latch available in Polished Chrome (PC) or Satin Nickel (SN)
- Light bulbs **not** included
- Painted or Stained hardwood supplied for Wood-Grain Foil door styles

● PE	ID
● APC	CH
● APFC	IF
● FPFB	TWR
● MI	WR
DE	XS
OE	GD
AD_E	RTK
CW	VTK
RD	TKD

Rough-in dimensions

Cabinet	Width	Height	Depth	# lights
LTV2435	23 11/16"	33 3/4"	3 7/8"	3
LTV3035	29 11/16"	33 3/4"	3 7/8"	4
LTV3635	35 11/16"	33 3/4"	3 7/8"	5
LTV4835	47 11/16"	33 3/4"	3 7/8"	7

Flat Framed Beveled Mirror



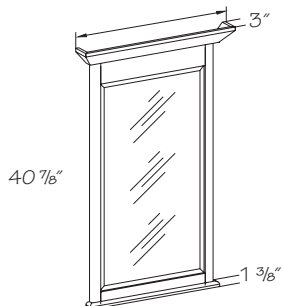
FM2130 .F
FM2430 .F
FM2136 .F
FM2436 .F

- Painted or Stained hardwood supplied for Wood-Grain Foil door styles

PE	ID
APC	CH
APFC	IF
FPFB	TWR
MI	WR
DE	XS
OE	GD
AD_E	RTK
CW	VTK
RD	TKD

Framed Mirror—Angle Crown

24 7/8", 27 7/8", 30 7/8", 33 7/8",
 36 7/8", 39 7/8", 45 7/8", 51 7/8"



FM2136 .ACM
FM2436 .ACM
FM2736 .ACM
FM3036 .ACM
FM3336 .ACM
FM3636 .ACM
FM4236 .ACM
FM4836 .ACM

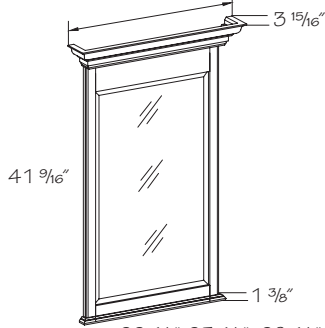
- Solid wood frame, top and bottom plate
- Decorative Angle Crown Molding (ACM8)
- Routed bottom plate
- Beveled mirror
- Crafted or Quartersawn door styles will be supplied in plain sawn wood
- Painted or Stained hardwood supplied for Wood-Grain Foil door styles

PE	ID
APC	CH
APFC	IF
FPFB	TWR
MI	WR
DE	XS
OE	GD
AD_E	RTK
CW	VTK
RD	TKD



Consider using a Replacement Door with a Mirage (MIR) glass insert for a wider range of sizes when selecting a mirror.

25 13/16", 28 13/16", 31 13/16", 34 13/16",
37 13/16", 40 13/16", 46 13/16", 52 13/16"



22 1/4", 25 1/4", 28 1/4", 31 1/4",
34 1/4", 37 1/4", 43 1/4", 49 1/4"

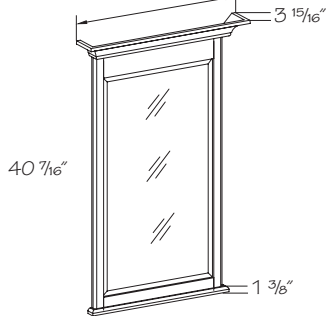
Framed Mirror-Classic

FM2136 .CCM
FM2436 .CCM
FM2736 .CCM
FM3036 .CCM
FM3336 .CCM
FM3636 .CCM
FM4236 .CCM
FM4836 .CCM

- Solid wood frame, top and bottom plate
- Decorative Classic Crown Molding (CCM8)
- Routed top and bottom plate
- Beveled mirror
- Crafted or Quartersawn door styles will be supplied in plain sawn wood
- Painted or Stained hardwood supplied for Wood-Grain Foil door styles

PE	ID
APC	CH
APFC	IF
FPEB	TWR
MI	WR
DE	XS
OE	GD
AD_E	RTK
CW	VTK
RD	TKD

26", 29", 32", 35",
38", 41", 47", 53"



22", 25", 28", 31",
34", 37", 43", 49"

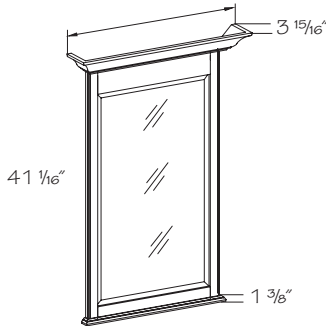
Framed Mirror-Large Cove

FM2136 .LCVM
FM2436 .LCVM
FM2736 .LCVM
FM3036 .LCVM
FM3336 .LCVM
FM3636 .LCVM
FM4236 .LCVM
FM4836 .LCVM

- Solid wood frame, top and bottom plate
- Decorative Large Cove Molding (LCVM8)
- Routed top and bottom plate
- Beveled mirror
- Crafted or Quartersawn door styles will be supplied in plain sawn wood
- **Not** available in Rustic Alder door styles
- Painted or Stained hardwood supplied for Wood-Grain Foil door styles

PE	ID
APC	CH
APFC	IF
FPEB	TWR
MI	WR
DE	XS
OE	GD
AD_E	RTK
CW	VTK
RD	TKD

26 15/16", 29 15/16", 32 15/16", 35 15/16",
38 15/16", 41 15/16", 47 15/16", 53 15/16"



22 1/4", 25 1/4", 28 1/4", 31 1/4",
34 1/4", 37 1/4", 43 1/4", 49 1/4"

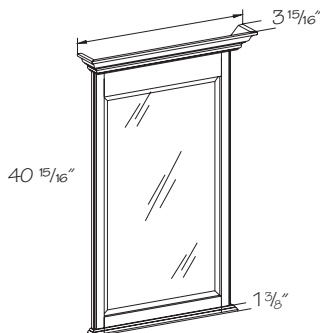
Framed Mirror-Large Crown

FM2136 .LCM
FM2436 .LCM
FM2736 .LCM
FM3036 .LCM
FM3336 .LCM
FM3636 .LCM
FM4236 .LCM
FM4836 .LCM

- Solid wood frame, top and bottom plate
- Decorative Large Crown Molding (LCM8)
- Routed top and bottom plate
- Beveled mirror
- Crafted or Quartersawn door styles will be supplied in plain sawn wood
- Painted or Stained hardwood supplied for Wood-Grain Foil door styles

PE	ID
APC	CH
APFC	IF
FPEB	TWR
MI	WR
DE	XS
OE	GD
AD_E	RTK
CW	VTK
RD	TKD

25 7/16", 28 7/16", 31 7/16", 34 7/16",
37 7/16", 40 7/16", 46 7/16", 52 7/16"



22 1/4", 25 1/4", 28 1/4", 31 1/4",
34 1/4", 37 1/4", 43 1/4", 49 1/4"

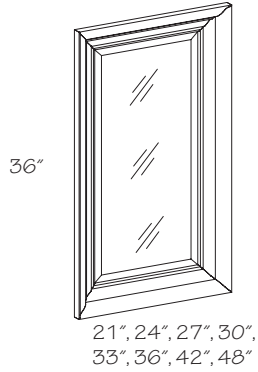
Framed Mirror-Traditional

FM2136 .T
FM2436 .T
FM2736 .T
FM3036 .T
FM3336 .T
FM3636 .T
FM4236 .T
FM4836 .T

- Solid wood frame, top and bottom plate
- Decorative Crown Molding (CM8)
- Routed top and bottom plate
- Beveled mirror
- Crafted or Quartersawn door styles will be supplied in plain sawn wood
- Painted or Stained hardwood supplied for Wood-Grain Foil door styles

PE	ID
APC	CH
APFC	IF
FPEB	TWR
MI	WR
DE	XS
OE	GD
AD_E	RTK
CW	VTK
RD	TKD

Portrait Framed Mirror–Classic

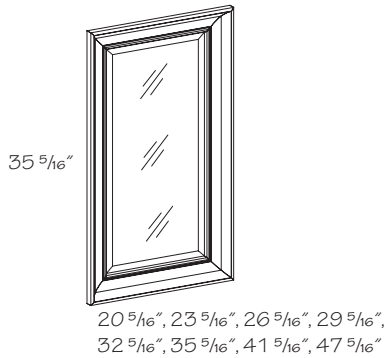


- PFM2136 .CCM
- PFM2436 .CCM
- PFM2736 .CCM
- PFM3036 .CCM
- PFM3336 .CCM
- PFM3636 .CCM
- PFM4236 .CCM
- PFM4836 .CCM

- Decorative Classic Crown Molding (CCM8)
- Beveled mirror
- Crafted or Quartersawn door styles will be supplied in plain sawn wood
- Painted or Stained hardwood supplied for Wood-Grain Foil door styles

PE	ID
APC	CH
APFC	IF
FPEB	TWR
MI	WR
DE	XS
OE	GD
AD_E	RTK
CW	VTK
RD	TKD

Portrait Framed Mirror–Cove

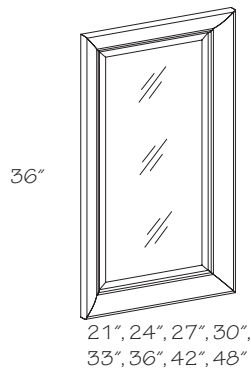


- PFM2136 .LCVM
- PFM2436 .LCVM
- PFM2736 .LCVM
- PFM3036 .LCVM
- PFM3336 .LCVM
- PFM3636 .LCVM
- PFM4236 .LCVM
- PFM4836 .LCVM

- Decorative Large Cove Molding (LCVM8)
- Beveled mirror
- Crafted or Quartersawn door styles will be supplied in plain sawn wood
- **Not** available in Rustic Alder door styles
- Painted or Stained hardwood supplied for Wood-Grain Foil door styles

PE	ID
APC	CH
APFC	IF
FPEB	TWR
MI	WR
DE	XS
OE	GD
AD_E	RTK
CW	VTK
RD	TKD

Portrait Framed Mirror–Federal

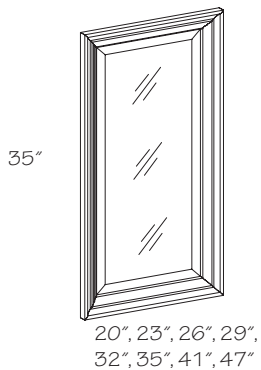


- PFM2136 .LFDM
- PFM2436 .LFDM
- PFM2736 .LFDM
- PFM3036 .LFDM
- PFM3336 .LFDM
- PFM3636 .LFDM
- PFM4236 .LFDM
- PFM4836 .LFDM

- Decorative Large Federal Molding (LFDM8)
- Beveled mirror
- Available in Cherry, EverCore™, Thermofoil, Maple and White Wood-Grain Foil door styles only
- Painted hardwood supplied for EverCore™ and Thermofoil

PE	ID
APC	CH
APFC	IF
FPEB	TWR
MI	WR
DE	XS
OE	GD
AD_E	RTK
CW	VTK
RD	TKD

Portrait Framed Mirror–Traditional



- PFM2136 .CM
- PFM2436 .CM
- PFM2736 .CM
- PFM3036 .CM
- PFM3336 .CM
- PFM3636 .CM
- PFM4236 .CM
- PFM4836 .CM

- Decorative Crown Molding (CM8)
- Beveled mirror
- Crafted or Quartersawn door styles will be supplied in plain sawn wood
- Painted or Stained hardwood supplied for Wood-Grain Foil door styles

PE	ID
APC	CH
APFC	IF
FPEB	TWR
MI	WR
DE	XS
OE	GD
AD_E	RTK
CW	VTK
RD	TKD

Vanity Collections

Construction Options and Modifications

VCDF	60	18	34	.S1
code	width	depth	height	series

- ❖ Included as standard
- Available with an upcharge
- ☆ Available with exceptions
- (Blank) **Not** available

- APFC All Plywood Furniture Construction
- FPEB Furniture Plywood Ends
- MI Matching Interior
- DE Integrated Decorative End
- AD_E Attached Decorative End
- RD Reduced Depth
- TWR Top Wide Rail
- WR Wide Bottom Rail
- XS Extended Stile
- GD Glass Doors
- RTK Recessed Toe Kick
- VTK Void Toe Kick

Available in full overlay door styles only.

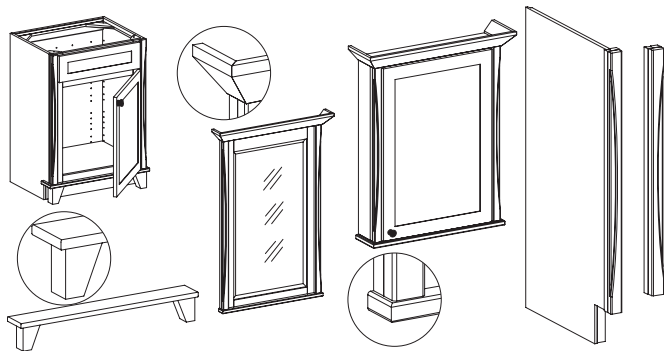
All Decorative Accent Vanities come with a matching 1/2" plywood toe kick as standard.

Decorative Skirts add 1 5/16" to the frame width

Material dimensions listed may vary slightly from actual dimensions of the product.

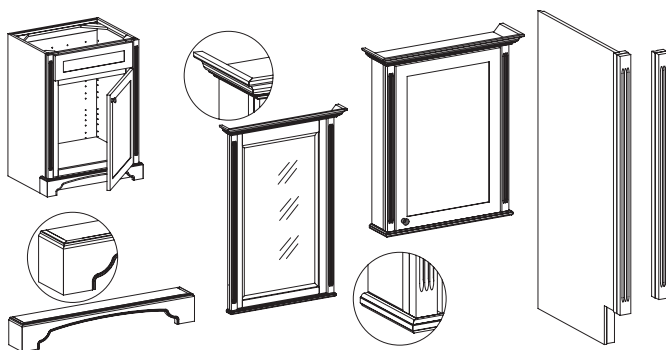
Specifications subject to change without notice.

Montrose Collection (S1)



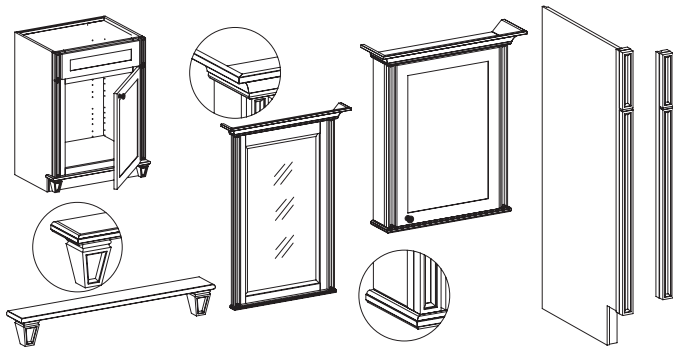
- This collection offers soft curved lines and tapered feet that give the flexibility to take the room from contemporary to casual farmhouse or craftsman styles.
- Angle Crown Molding (ACM) is applied to tops of Vanity Walls and Mirrors; a solid wood plate with eased edges is applied to the bottom
- 1 1/2" side accents are softly curved and chamfered
- Toe kick accent includes 3/4" plate with tapered legs
- Toe kick skirt ships separately for field installation
- Simple, understated, clean line door styles are recommended to achieve the best design aesthetics
- Available in Rustic Alder, Cherry, EverCore™, Thermofoil and Maple and full overlay door styles only

Cologne Collection (S2)



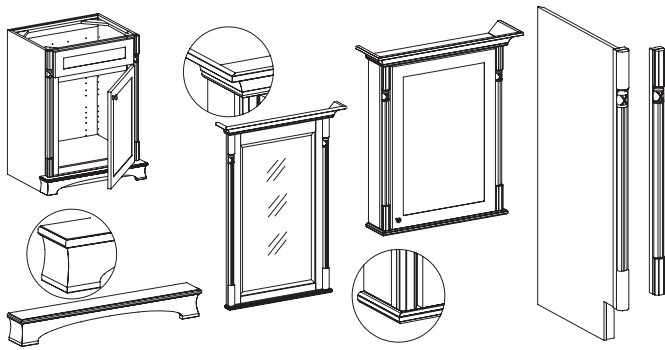
- The classic fluting detail of this style offers the formality of a traditional design aesthetic
- Crown Molding (CM) is applied to tops of Vanity Walls and Mirrors; a solid wood plate with a single bead edge is applied to the bottom
- 1 1/2" fluted side accents
- Toe kicks feature a formal, architectural skirt with a beaded edge
- Toe kick skirt ships separately for field installation |
- Raised panel door styles with more details, and glazed finishes highlight the fluting and bead details of this style
- Available in Rustic Alder, Cherry, EverCore™, Thermofoil and Maple and full overlay door styles only

Bayshore Collection (S3)



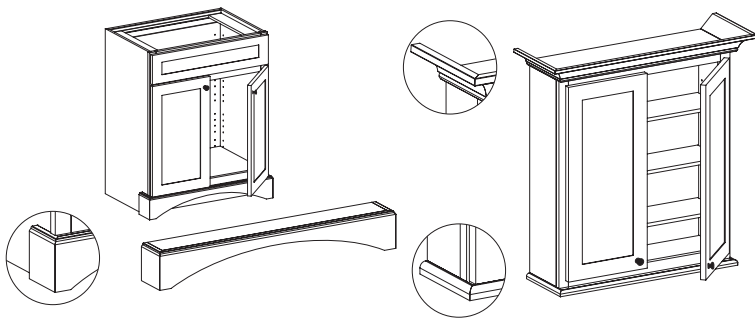
- The carved linear column detail and tapered feet are reminiscent of classic, fine furniture design
- Large Cove Molding (LCVM) is applied to tops of Vanity Walls and Mirrors; a solid wood plate with a single bead edge is applied to the bottom
- 1 1/2" carved linear column side accents
- Toe kick accent includes 3/4", single bead edged plate, and carved details on tapered legs
- Toe kick skirt ships separately for field installation
- Door style and finish combinations will drive the styling of these pieces from soft modern to classic
- Available in Rustic Alder, Cherry, EverCore™, Thermofoil and Maple and full overlay door styles only

Prescott Collection (S4)



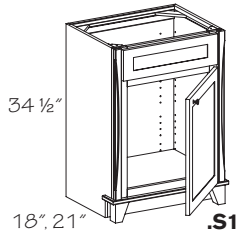
- Elegant timeless details and the curved skirt create a heritage inspired design
- Large Cove Molding (LCVM) is applied to tops of Vanity Walls and Mirrors; a solid wood plate with a single bead edge is applied to the bottom
- 1 1/2" carved ornamental side accents
- Toe kicks feature a flared valence style skirt
- Toe kick skirt ships separately for field installation
- Raised panel door styles with more details, and glazed finishes highlight the ornate features of these accents
- Available in Cherry, EverCore™, Thermofoil and Maple full overlay door styles only

Fairfield Collection (S5)



- The clean lines and cove valance give this collection universal appeal
- Large Cove Molding (LCVM) is applied to tops of Vanity Walls and Mirrors; a solid wood plate with a single bead edge is applied to the bottom
- FM.LCVM is correct framed mirror to use when matching this series
- No side accents
- Toe kicks feature a simple, yet sophisticated cove skirt
- Toe kick skirt ships separately for field installation
- For an uncomplicated look, choose door styles with a recessed center panel in a simple stained finish; or for a more refined or elegant appearance, select raised panel door styles and use a glazed finish to highlight the details
- Available in Cherry, EverCore™, Thermofoil and Maple full overlay door styles only

Vanity Sink Base Single Door w/Decorative Accents



34 1/2" High, 18" Deep

VSB241834 R or L.S1

VSB241834 R or L.S2

VSB241834 R or L.S3

VSB241834 R or L.S4

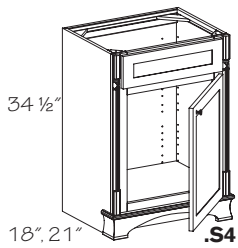
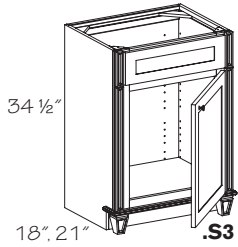
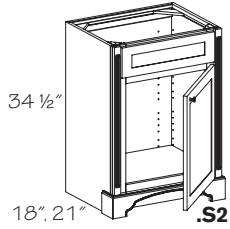
34 1/2" High, 21" Deep

VSB242134 R or L.S1

VSB242134 R or L.S2

VSB242134 R or L.S3

VSB242134 R or L.S4

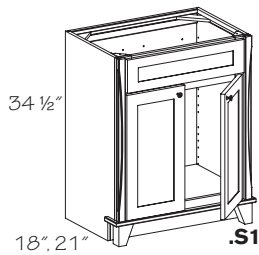


- Specify R or L for single door hinging
- Single door and drawer front
- Optional Utensil Trays (UT and SUT) are available
- Optional Door Storage Unit (SBDSU) is available

●	APFC
❖	FPEB
●	MI
●	DE
●	AD_E
●	RD
●	TWR
	WR
	XS
●	GD
	RTK
	VTK

Vanity Sink Base Double Door w/Decorative Accents

●	APFC
❖	FPEB
●	MI
●	DE
●	AD_E
●	RD
●	TWR
	WR
	XS
●	GD
	RTK
	VTK



34 1/2" High, 18" Deep

VSB241834 .S5

▲ **VSB271834 .S1**

▲ **VSB271834 .S2**

VSB271834 .S3

VSB271834 .S4

VSB271834 .S5

▲ **VSB301834 .S1**

▲ **VSB301834 .S2**

VSB301834 .S3

VSB301834 .S4

VSB301834 .S5

VSB331834 .S1

VSB331834 .S2

VSB331834 .S3

VSB331834 .S4

VSB331834 .S5

VSB361834 .S1

VSB361834 .S2

VSB361834 .S3

VSB361834 .S4

VSB361834 .S5

VSB391834 .S1

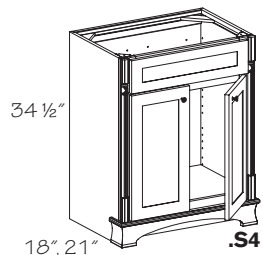
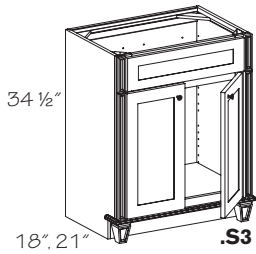
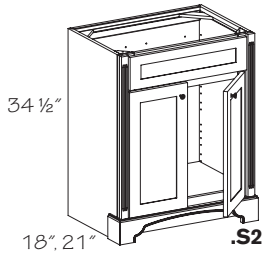
VSB391834 .S2

VSB391834 .S3

VSB391834 .S4

VSB391834 .S5

- Single drawer front
- Optional Utensil Trays (UT and SUT) are available
- Optional Door Storage Unit (SBDSU) is available
- Skirt ships separately



34 1/2" High, 21" Deep

VSB242134 .S5

▲ **VSB272134 .S1**

▲ **VSB272134 .S2**

VSB272134 .S3

VSB272134 .S4

VSB272134 .S5

▲ **VSB302134 .S1**

▲ **VSB302134 .S2**

VSB302134 .S3

VSB302134 .S4

VSB302134 .S5

VSB332134 .S1

VSB332134 .S2

VSB332134 .S3

VSB332134 .S4

VSB332134 .S5

VSB362134 .S1

VSB362134 .S2

VSB362134 .S3

VSB362134 .S4

VSB362134 .S5

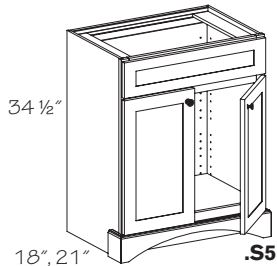
VSB392134 .S1

VSB392134 .S2

VSB392134 .S3

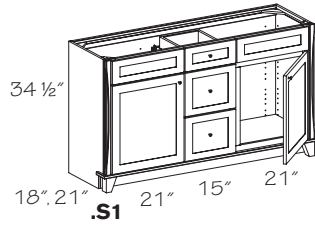
VSB392134 .S4

VSB392134 .S5



▲ Sink Base Door Storage Unit (SBDSU) *not* available

Vanity Sink Base Three Drawer w/Decorative Accents



34 1/2" High, 18" Deep

VS601834 .3.S1

VS601834 .3.S2

VS601834 .3.S3

VS601834 .3.S4

VS601834 .3.S5

34 1/2" High, 21" Deep

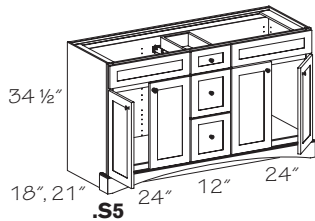
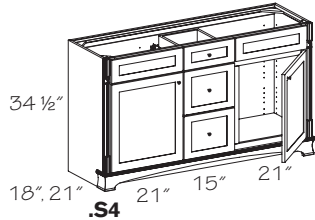
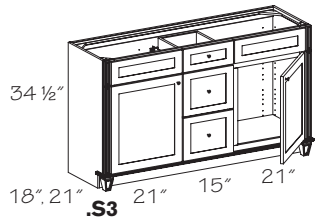
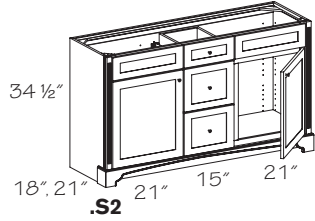
VS602134 .3.S1

VS602134 .3.S2

VS602134 .3.S3

VS602134 .3.S4

VS602134 .3.S5



- Three drawer stack in center
- One standard drawer
- Two deep drawers
- Scoop Top Drawer (STDW) option available
- Optional Door Storage Unit (SBDSU) is available
- Optional Vanity Wood Tiered Drawer Storage (VWTDS), Vanity Shallow Wood Tiered Drawer Storage (VSWTDS) and Vanity Adjustable Drawer Divider (VADD) are available
- A filler is recommended when installing decorative accent vanities against a return wall. Filler is sold separately
- Skirt ships separately

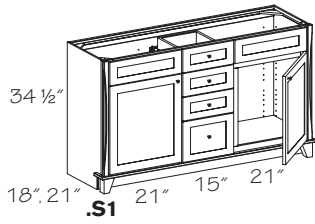


Be sure to account for the 1-1/2" decorative accent on the right and left end of the face frame to ensure the sink vessel is centered over the cabinet doors on decorative collections S1 – S4. The S5 series has no side accents and no adjustments are necessary.

●	APFC
❖	FPEB
●	MI
●	DE
●	AD_E
●	RD
●	TWR
	WR
	XS
●	GD
	RTK
	VTK

Vanity Sink Base Four Drawer w/Decorative Accents

●	APFC
❖	FPEB
●	MI
●	DE
●	AD_E
●	RD
●	TWR
	WR
	XS
●	GD
	RTK
	VTK



34 1/2" High, 18" Deep

VSB601834 .4.S1

VSB601834 .4.S2

VSB601834 .4.S3

VSB601834 .4.S4

VSB601834 .4.S5

34 1/2" High, 21" Deep

VSB602134 .4.S1

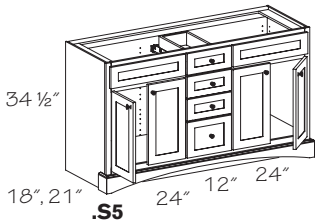
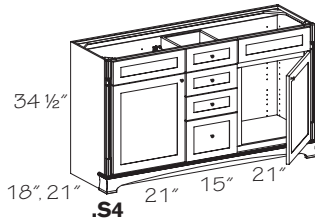
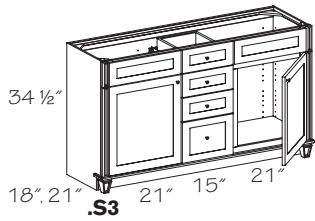
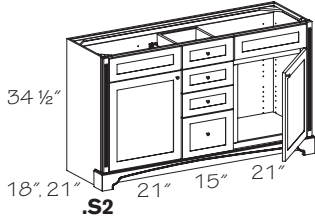
VSB602134 .4.S2

VSB602134 .4.S3

VSB602134 .4.S4

VSB602134 .4.S5

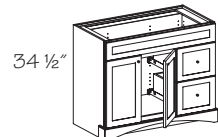
- Four drawer stack in center
- Three standard height drawers
- One deep drawer
- Skirt ships separately
- Scoop Top Drawer (STDW) option available
- Optional Door Storage Unit (SBDSU) is available
- Optional Vanity Wood Tiered Drawer Storage (VWTDS), Vanity Shallow Wood Tiered Drawer Storage (VSWTDS) and Vanity Adjustable Drawer Divider (VADD) are available



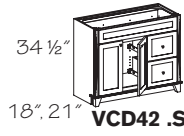
Vanity Combination Drawer w/Decorative Accents (2)



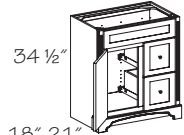
34 1/2"
18", 21"
VCD27 - 36 .S1



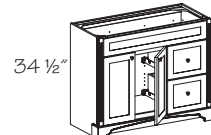
34 1/2"
18", 21"
VCD42 .S5



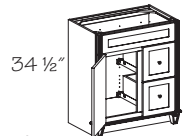
34 1/2"
18", 21"
VCD42 .S1



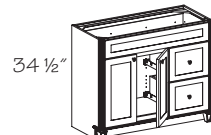
34 1/2"
18", 21"
VCD27 - 36 .S2



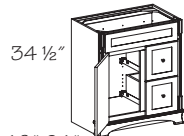
34 1/2"
18", 21"
VCD42 .S2



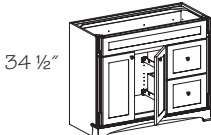
34 1/2"
18", 21"
VCD27 - 36 .S3



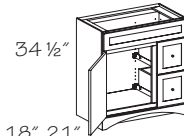
34 1/2"
18", 21"
VCD42 .S3



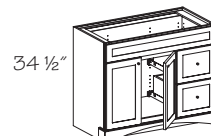
34 1/2"
18", 21"
VCD27 - 36 .S4



34 1/2"
18", 21"
VCD42 .S4



34 1/2"
18", 21"
VCD24 - 36 .S5



34 1/2"
18", 21"
VCD42 .S5

Drawers Left

34 1/2" High, 18" Deep

- ▲ **VCD241834 DL2.S5**
- ▲ **VCD271834 DL2.S1**
- ▲ **VCD271834 DL2.S2**
- ▲ **VCD271834 DL2.S3**
- ▲ **VCD271834 DL2.S4**
- ▲ **VCD271834 DL2.S5**
- VCD301834 DL2.S1**
- VCD301834 DL2.S2**
- VCD301834 DL2.S3**
- VCD301834 DL2.S4**
- VCD301834 DL2.S5**
- VCD331834 DL2.S1**
- VCD331834 DL2.S2**
- VCD331834 DL2.S3**
- VCD331834 DL2.S4**
- VCD331834 DL2.S5**
- VCD361834 DL2.S1**
- VCD361834 DL2.S2**
- VCD361834 DL2.S3**
- VCD361834 DL2.S4**
- VCD361834 DL2.S5**
- ▲ **VCD421834 DL2.S1**
- ▲ **VCD421834 DL2.S2**
- ▲ **VCD421834 DL2.S3**
- ▲ **VCD421834 DL2.S4**
- ▲ **VCD421834 DL2.S5**

Drawers Left

34 1/2" High, 21" Deep

- ▲ **VCD242134 DL2.S5**
- ▲ **VCD272134 DL2.S1**
- ▲ **VCD272134 DL2.S2**
- ▲ **VCD272134 DL2.S3**
- ▲ **VCD272134 DL2.S4**
- ▲ **VCD272134 DL2.S5**
- VCD302134 DL2.S1**
- VCD302134 DL2.S2**
- VCD302134 DL2.S3**
- VCD302134 DL2.S4**
- VCD302134 DL2.S5**
- VCD332134 DL2.S1**
- VCD332134 DL2.S2**
- VCD332134 DL2.S3**
- VCD332134 DL2.S4**
- VCD332134 DL2.S5**
- VCD362134 DL2.S1**
- VCD362134 DL2.S2**
- VCD362134 DL2.S3**
- VCD362134 DL2.S4**
- VCD362134 DL2.S5**
- ▲ **VCD422134 DL2.S1**
- ▲ **VCD422134 DL2.S2**
- ▲ **VCD422134 DL2.S3**
- ▲ **VCD422134 DL2.S4**
- ▲ **VCD422134 DL2.S5**

▲ Sink Base Door Storage Unit (SBDSU) *not* available

Drawer-Door

Drawers Right

34 1/2" High, 18" Deep

- 12"-12" ▲ **VCD241834 DR2.S5**
- 12"-12" ▲ **VCD271834 DR2.S1**
- 12"-12" ▲ **VCD271834 DR2.S2**
- 12"-12" ▲ **VCD271834 DR2.S3**
- 12"-12" ▲ **VCD271834 DR2.S4**
- 12"-15" ▲ **VCD271834 DR2.S5**
- 12"-15" **VCD301834 DR2.S1**
- 12"-15" **VCD301834 DR2.S2**
- 12"-15" **VCD301834 DR2.S3**
- 12"-15" **VCD301834 DR2.S4**
- 12"-15" **VCD301834 DR2.S5**
- 12"-18" **VCD331834 DR2.S1**
- 12"-18" **VCD331834 DR2.S2**
- 12"-18" **VCD331834 DR2.S3**
- 12"-18" **VCD331834 DR2.S4**
- 12"-21" **VCD331834 DR2.S5**
- 12"-21" **VCD361834 DR2.S1**
- 12"-21" **VCD361834 DR2.S2**
- 12"-21" **VCD361834 DR2.S3**
- 12"-21" **VCD361834 DR2.S4**
- 15"-21" **VCD361834 DR2.S5**
- 15"-24" ▲ **VCD421834 DR2.S1**
- 15"-24" ▲ **VCD421834 DR2.S2**
- 15"-24" ▲ **VCD421834 DR2.S3**
- 15"-24" ▲ **VCD421834 DR2.S4**
- 15"-27" ▲ **VCD421834 DR2.S5**

Drawers Right

34 1/2" High, 21" Deep

- 12"-12" ▲ **VCD242134 DR2.S5**
- 12"-12" ▲ **VCD272134 DR2.S1**
- 12"-12" ▲ **VCD272134 DR2.S2**
- 12"-12" ▲ **VCD272134 DR2.S3**
- 12"-12" ▲ **VCD272134 DR2.S4**
- 12"-12" ▲ **VCD272134 DR2.S5**
- 12"-15" **VCD302134 DR2.S1**
- 12"-15" **VCD302134 DR2.S2**
- 12"-15" **VCD302134 DR2.S3**
- 12"-15" **VCD302134 DR2.S4**
- 12"-15" **VCD302134 DR2.S5**
- 12"-18" **VCD332134 DR2.S1**
- 12"-18" **VCD332134 DR2.S2**
- 12"-18" **VCD332134 DR2.S3**
- 12"-18" **VCD332134 DR2.S4**
- 12"-18" **VCD332134 DR2.S5**
- 12"-21" **VCD362134 DR2.S1**
- 12"-21" **VCD362134 DR2.S2**
- 12"-21" **VCD362134 DR2.S3**
- 12"-21" **VCD362134 DR2.S4**
- 12"-21" **VCD362134 DR2.S5**
- 15"-24" ▲ **VCD422134 DR2.S1**
- 15"-24" ▲ **VCD422134 DR2.S2**
- 15"-24" ▲ **VCD422134 DR2.S3**
- 15"-24" ▲ **VCD422134 DR2.S4**
- 15"-24" ▲ **VCD422134 DR2.S5**

Door-Drawer

12"-12"

12"-12"

12"-12"

12"-12"

12"-12"

12"-12"

15"-12"

15"-12"

15"-12"

15"-12"

15"-12"

18"-12"

18"-12"

18"-12"

18"-12"

18"-12"

21"-12"

21"-12"

21"-12"

21"-12"

21"-12"

24"-15"

24"-15"

24"-15"

24"-15"

24"-15"

24"-15"

12"-12"

12"-12"

12"-12"

12"-12"

12"-12"

12"-12"

15"-12"

15"-12"

15"-12"

15"-12"

15"-12"

15"-12"

18"-12"

18"-12"

18"-12"

18"-12"

18"-12"

21"-12"

21"-12"

21"-12"

21"-12"

21"-12"

24"-15"

24"-15"

24"-15"

24"-15"

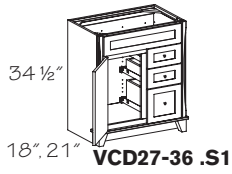
24"-15"

● APFC
❖ FPEB
● MI
● DE
● AD_E
● RD
● TWR
WR
XS
● GD
RTK
VTK

- One drawer front
- Two deep drawers
- Skirt ships separately
- Optional Door Storage Unit (SBDSU) is available
- Optional Vanity Wood Tiered Drawer Storage (VWTDS), Vanity Shallow Wood Tiered Drawer Storage (VSWTDS) and Vanity Adjustable Drawer Divider (VADD) are available

Vanity Combination Drawer w/Decorative Accents (3)

●	APFC
❖	FPEB
●	MI
●	DE
●	AD_E
●	RD
●	TWR
●	WR
●	XS
●	GD
●	RTK
●	VTK



Drawers Left
34 1/2" High, 18" Deep

- ▲ VCD271834 DL3.S1
- ▲ VCD271834 DL3.S2
- ▲ VCD271834 DL3.S3
- ▲ VCD271834 DL3.S4
- ▲ VCD271834 DL3.S5

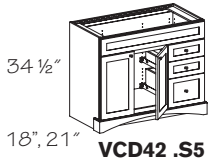
Drawer-Door
34 1/2" High, 18" Deep

- 12"-12" ▲ VCD271834 DR3.S1
- 12"-12" ▲ VCD271834 DR3.S2
- 12"-12" ▲ VCD271834 DR3.S3
- 12"-12" ▲ VCD271834 DR3.S4
- 12"-12" ▲ VCD271834 DR3.S5

Door-Drawer

- 12"-12"
- 12"-12"
- 12"-12"
- 12"-12"
- 12"-12"

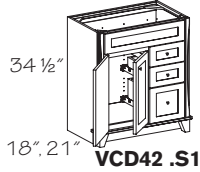
- One drawer front
- Two standard drawers
- One deep drawer
- Skirt ships separately
- Optional Door Storage Unit (SBDSU) is available
- Optional Vanity Wood Tiered Drawer Storage (VWTDS), Vanity Shallow Wood Tiered Drawer Storage (VSWTDS) and Vanity Adjustable Drawer Divider (VADD) are available



- VCD301834 DL3.S1
- VCD301834 DL3.S2
- VCD301834 DL3.S3
- VCD301834 DL3.S4
- VCD301834 DL3.S5

- 12"-15" VCD301834 DR3.S1
- 12"-15" VCD301834 DR3.S2
- 12"-15" VCD301834 DR3.S3
- 12"-15" VCD301834 DR3.S4
- 12"-15" VCD301834 DR3.S5

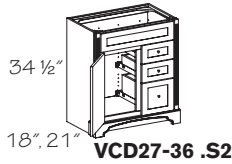
- 15"-12"
- 15"-12"
- 15"-12"
- 15"-12"
- 15"-12"



- VCD331834 DL3.S1
- VCD331834 DL3.S2
- VCD331834 DL3.S3
- VCD331834 DL3.S4
- VCD331834 DL3.S5

- 12"-18" VCD331834 DR3.S1
- 12"-18" VCD331834 DR3.S2
- 12"-18" VCD331834 DR3.S3
- 12"-18" VCD331834 DR3.S4
- 12"-18" VCD331834 DR3.S5

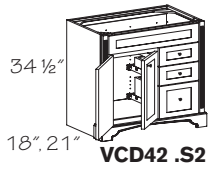
- 18"-12"
- 18"-12"
- 18"-12"
- 18"-12"
- 18"-12"



- VCD361834 DL3.S1
- VCD361834 DL3.S2
- VCD361834 DL3.S3
- VCD361834 DL3.S4
- VCD361834 DL3.S5

- 12"-21" VCD361834 DR3.S1
- 12"-21" VCD361834 DR3.S2
- 12"-21" VCD361834 DR3.S3
- 12"-21" VCD361834 DR3.S4
- 12"-21" VCD361834 DR3.S5

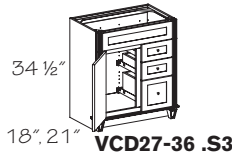
- 21"-12"
- 21"-12"
- 21"-12"
- 21"-12"
- 21"-12"



- ▲ VCD421834 DL3.S1
- ▲ VCD421834 DL3.S2
- ▲ VCD421834 DL3.S3
- ▲ VCD421834 DL3.S4
- ▲ VCD421834 DL3.S5

- 15"-24" ▲ VCD421834 DR3.S1
- 15"-24" ▲ VCD421834 DR3.S2
- 15"-24" ▲ VCD421834 DR3.S3
- 15"-24" ▲ VCD421834 DR3.S4
- 15"-24" ▲ VCD421834 DR3.S5

- 24"-15"
- 24"-15"
- 24"-15"
- 24"-15"
- 24"-15"



Drawers Left
34 1/2" High, 21" Deep

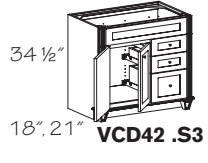
- ▲ VCD272134 DL3.S1
- ▲ VCD272134 DL3.S2
- ▲ VCD272134 DL3.S3
- ▲ VCD272134 DL3.S4
- ▲ VCD272134 DL3.S5

Drawer-Door
34 1/2" High, 21" Deep

- 12"-12" ▲ VCD272134 DR3.S1
- 12"-12" ▲ VCD272134 DR3.S2
- 12"-12" ▲ VCD272134 DR3.S3
- 12"-12" ▲ VCD272134 DR3.S4
- 12"-12" ▲ VCD272134 DR3.S5

Door-Drawer

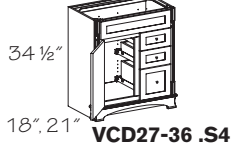
- 12"-12"
- 12"-12"
- 12"-12"
- 12"-12"
- 12"-12"



- VCD302134 DL3.S1
- VCD302134 DL3.S2
- VCD302134 DL3.S3
- VCD302134 DL3.S4
- VCD302134 DL3.S5

- 12"-15" VCD302134 DR3.S1
- 12"-15" VCD302134 DR3.S2
- 12"-15" VCD302134 DR3.S3
- 12"-15" VCD302134 DR3.S4
- 12"-15" VCD302134 DR3.S5

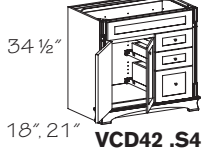
- 15"-12"
- 15"-12"
- 15"-12"
- 15"-12"
- 15"-12"



- VCD332134 DL3.S1
- VCD332134 DL3.S2
- VCD332134 DL3.S3
- VCD332134 DL3.S4
- VCD332134 DL3.S5

- 12"-18" VCD332134 DR3.S1
- 12"-18" VCD332134 DR3.S2
- 12"-18" VCD332134 DR3.S3
- 12"-18" VCD332134 DR3.S4
- 12"-18" VCD332134 DR3.S5

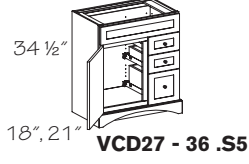
- 18"-12"
- 18"-12"
- 18"-12"
- 18"-12"
- 18"-12"



- VCD362134 DL3.S1
- VCD362134 DL3.S2
- VCD362134 DL3.S3
- VCD362134 DL3.S4
- VCD362134 DL3.S5

- 12"-21" VCD362134 DR3.S1
- 12"-21" VCD362134 DR3.S2
- 12"-21" VCD362134 DR3.S3
- 12"-21" VCD362134 DR3.S4
- 12"-21" VCD362134 DR3.S5

- 21"-12"
- 21"-12"
- 21"-12"
- 21"-12"
- 21"-12"

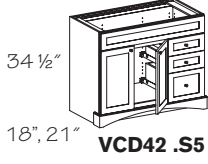


- ▲ VCD422134 DL3.S1
- ▲ VCD422134 DL3.S2
- ▲ VCD422134 DL3.S3
- ▲ VCD422134 DL3.S4
- ▲ VCD422134 DL3.S5

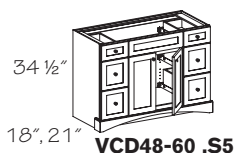
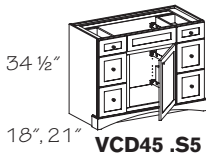
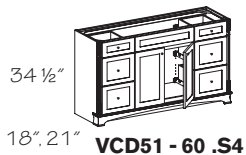
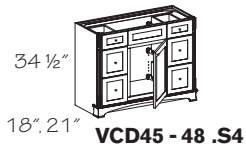
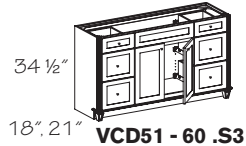
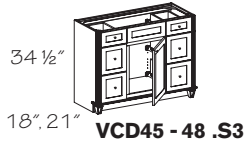
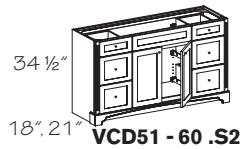
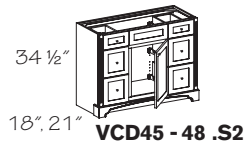
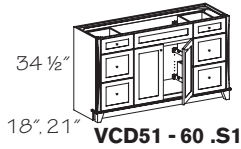
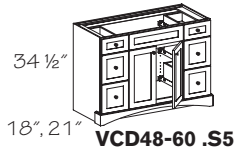
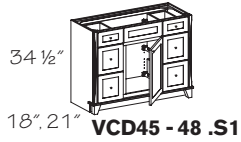
- 15"-24" ▲ VCD422134 DR3.S1
- 15"-24" ▲ VCD422134 DR3.S2
- 15"-24" ▲ VCD422134 DR3.S3
- 15"-24" ▲ VCD422134 DR3.S4
- 15"-24" ▲ VCD422134 DR3.S5

- 24"-15"
- 24"-15"
- 24"-15"
- 24"-15"
- 24"-15"

▲ Sink Base Door Storage Unit (SBDSU) *not* available



Vanity Combination Drawer w/Decorative Accents (6)



34 1/2" High, 18" Deep

- * **VCD451834 R or L.6.S1**
- * **VCD451834 R or L.6.S2**
- * **VCD451834 R or L.6.S3**
- * **VCD451834 R or L.6.S4**
- * **VCD451834 R or L.6.S5**
- * **VCD481834 R or L.6.S1**
- * **VCD481834 R or L.6.S2**
- * **VCD481834 R or L.6.S3**
- * **VCD481834 R or L.6.S4**
- * **VCD481834 R or L.6.S5**
- VCD511834 .6.S1**
- VCD511834 .6.S2**
- VCD511834 .6.S3**
- VCD511834 .6.S4**
- VCD511834 .6.S5**
- VCD541834 .6.S1**
- VCD541834 .6.S2**
- VCD541834 .6.S3**
- VCD541834 .6.S4**
- VCD541834 .6.S5**
- VCD571834 .6.S1**
- VCD571834 .6.S2**
- VCD571834 .6.S3**
- VCD571834 .6.S4**
- VCD571834 .6.S5**
- VCD601834 .6.S1**
- VCD601834 .6.S2**
- VCD601834 .6.S3**
- VCD601834 .6.S4**
- VCD601834 .6.S5**

Drawer-Door-Drawer

- 12"-18"-12"
- 12"-18"-12"
- 12"-18"-12"
- 12"-18"-12"
- 12"-18"-12"
- 12"-21"-12"
- 12"-21"-12"
- 12"-21"-12"
- 12"-21"-12"
- 12"-21"-12"
- 12"-24"-12"
- 12"-24"-12"
- 12"-24"-12"
- 12"-24"-12"
- 12"-24"-12"
- 12"-27"-12"
- 12"-27"-12"
- 12"-27"-12"
- 12"-27"-12"
- 12"-27"-12"
- 12"-27"-12"
- 15"-24"-15"
- 15"-24"-15"
- 15"-24"-15"
- 15"-24"-15"
- 15"-24"-15"
- 15"-27"-15"
- 15"-27"-15"
- 15"-27"-15"
- 15"-27"-15"

- Specify R or L for single door hinging
- Two standard drawers
- Four deep drawers
- Skirt ships separately
- Scoop Top Drawer (STDW) option available
- Sink Base Door Storage Unit (SBDSU) is available on single door cabinets
- Optional Vanity Wood Tiered Drawer Storage (VWTDTS), Vanity Shallow Wood Tiered Drawer Storage (VSWTDS) and Vanity Adjustable Drawer Divider (VADD) are available

●	APFC
◇	FPEB
●	MI
●	DE
●	AD_E
●	RD
●	TWR
●	WR
●	XS
●	GD
●	RTK
●	VTK

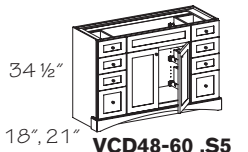
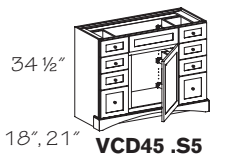
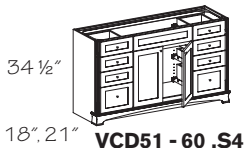
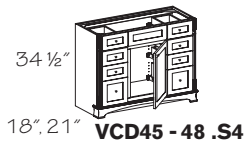
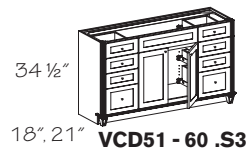
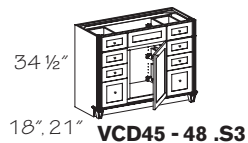
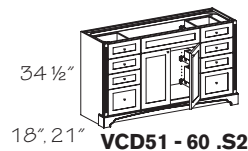
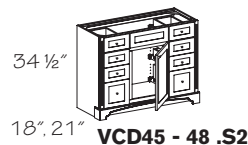
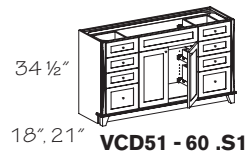
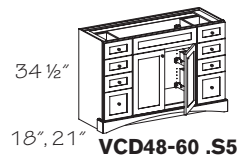
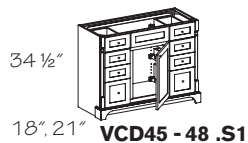
34 1/2" High, 21" Deep

- * **VCD452134 R or L.6.S1**
- * **VCD452134 R or L.6.S2**
- * **VCD452134 R or L.6.S3**
- * **VCD452134 R or L.6.S4**
- * **VCD452134 R or L.6.S5**
- * **VCD482134 R or L.6.S1**
- * **VCD482134 R or L.6.S2**
- * **VCD482134 R or L.6.S3**
- * **VCD482134 R or L.6.S4**
- * **VCD482134 R or L.6.S5**
- VCD512134 .6.S1**
- VCD512134 .6.S2**
- VCD512134 .6.S3**
- VCD512134 .6.S4**
- VCD512134 .6.S5**
- VCD542134 .6.S1**
- VCD542134 .6.S2**
- VCD542134 .6.S3**
- VCD542134 .6.S4**
- VCD542134 .6.S5**
- VCD572134 .6.S1**
- VCD572134 .6.S2**
- VCD572134 .6.S3**
- VCD572134 .6.S4**
- VCD572134 .6.S5**
- VCD602134 .6.S1**
- VCD602134 .6.S2**
- VCD602134 .6.S3**
- VCD602134 .6.S4**
- VCD602134 .6.S5**

- 12"-18"-12"
- 12"-18"-12"
- 12"-18"-12"
- 12"-18"-12"
- 12"-18"-12"
- 12"-21"-12"
- 12"-21"-12"
- 12"-21"-12"
- 12"-21"-12"
- 12"-21"-12"
- 12"-24"-12"
- 12"-24"-12"
- 12"-24"-12"
- 12"-24"-12"
- 12"-24"-12"
- 12"-27"-12"
- 12"-27"-12"
- 12"-27"-12"
- 12"-27"-12"
- 12"-27"-12"
- 12"-27"-12"
- 15"-24"-15"
- 15"-24"-15"
- 15"-24"-15"
- 15"-24"-15"
- 15"-24"-15"
- 15"-27"-15"
- 15"-27"-15"
- 15"-27"-15"
- 15"-27"-15"

* Scoop Top Drawer (STDW) option available

Vanity Combination Drawer w/Decorative Accents (8)



34 1/2" High, 18" Deep

VCD451834 R or L.8.S1
VCD451834 R or L.8.S2
VCD451834 R or L.8.S3
VCD451834 R or L.8.S4
VCD451834 R or L.8.S5
VCD481834 R or L.8.S1
VCD481834 R or L.8.S2
VCD481834 R or L.8.S3
VCD481834 R or L.8.S4

Drawer-Door-Drawer

12"-21"-12"
12"-18"-12"
12"-18"-12"
12"-18"-12"
12"-24"-12"
12"-21"-12"
12"-21"-12"
12"-21"-12"
12"-21"-12"

VCD481834 .8.S5
VCD511834 .8.S1
VCD511834 .8.S2
VCD511834 .8.S3
VCD511834 .8.S4
VCD511834 .8.S5
VCD541834 .8.S1
VCD541834 .8.S2
VCD541834 .8.S3
VCD541834 .8.S4

12"-24"-12"
12"-24"-12"
12"-24"-12"
12"-24"-12"
12"-24"-12"
12"-27"-12"
12"-27"-12"
12"-27"-12"
12"-27"-12"
12"-27"-12"

VCD541834 .8.S5
VCD571834 .8.S1
VCD571834 .8.S2
VCD571834 .8.S3
VCD571834 .8.S4
VCD571834 .8.S5
VCD601834 .8.S1
VCD601834 .8.S2
VCD601834 .8.S3
VCD601834 .8.S4
VCD601834 .8.S5

15"-24"-12"
15"-24"-15"
15"-24"-15"
15"-24"-15"
15"-24"-15"
15"-27"-15"
15"-27"-15"
15"-27"-15"
15"-27"-15"
15"-27"-15"
15"-30"-15"

34 1/2" High, 21" Deep

VCD452134 R or L.8.S1
VCD452134 R or L.8.S2
VCD452134 R or L.8.S3
VCD452134 R or L.8.S4
VCD452134 R or L.8.S5
VCD482134 R or L.8.S1
VCD482134 R or L.8.S2
VCD482134 R or L.8.S3
VCD482134 R or L.8.S4

Drawer-Door-Drawer

12"-18"-12"
12"-18"-12"
12"-18"-12"
12"-18"-12"
12"-21"-12"
12"-21"-12"
12"-21"-12"
12"-21"-12"
12"-21"-12"

VCD482134 .8.S5
VCD512134 .8.S1
VCD512134 .8.S2
VCD512134 .8.S3
VCD512134 .8.S4
VCD512134 .8.S5
VCD542134 .8.S1
VCD542134 .8.S2
VCD542134 .8.S3
VCD542134 .8.S4

12"-24"-12"
12"-24"-12"
12"-24"-12"
12"-24"-12"
12"-24"-12"
12"-27"-12"
12"-27"-12"
12"-27"-12"
12"-27"-12"
12"-27"-12"

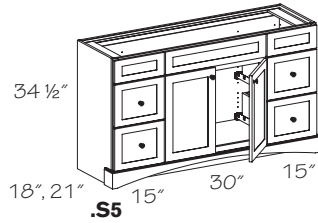
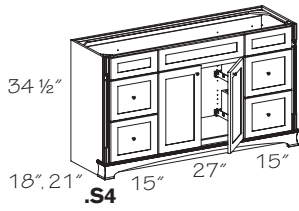
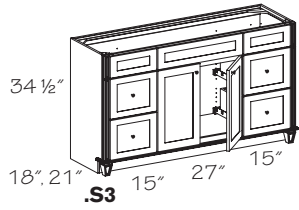
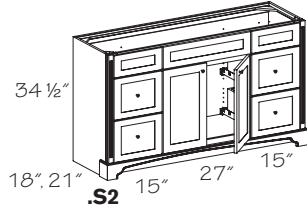
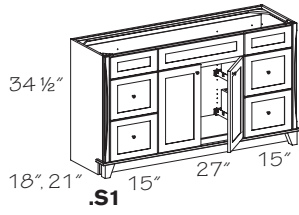
VCD542134 .8.S5
VCD572134 .8.S1
VCD572134 .8.S2
VCD572134 .8.S3
VCD572134 .8.S4
VCD572134 .8.S5
VCD602134 .8.S1
VCD602134 .8.S2
VCD602134 .8.S3
VCD602134 .8.S4
VCD602134 .8.S5

15"-24"-12"
15"-24"-15"
15"-24"-15"
15"-24"-15"
15"-24"-15"
15"-27"-15"
15"-27"-15"
15"-27"-15"
15"-27"-15"
15"-27"-15"
15"-30"-15"

- Specify R or L for single door hinging
- Six standard drawers
- Two deep drawers
- Skirt ships separately
- Scoop Top Drawer (STDW) option available
- Sink Base Door Storage Unit (SBDSU) is available on single door cabinets
- Optional Vanity Wood Tiered Drawer Storage (VWTDS), Vanity Shallow Wood Tiered Drawer Storage (VSWTDS) and Vanity Adjustable Drawer Divider (VADD) are available

●	APFC
❖	FPEB
●	MI
●	DE
●	AD_E
●	RD
●	TWR
●	WR
●	XS
●	GD
●	RTK
●	VTK

Vanity Combination Drawer w/Decorative Accents–Full False Front (4)



34 1/2" High, 18" Deep

VCDF601834 .4.S1

VCDF601834 .4.S2

VCDF601834 .4.S3

VCDF601834 .4.S4

VCDF601834 .4.S5

34 1/2" High, 21" Deep

VCDF602134 .4.S1

VCDF602134 .4.S2

VCDF602134 .4.S3

VCDF602134 .4.S4

VCDF602134 .4.S5

- Three drawer fronts
- Four deep drawers
- Skirt ships separately
- Optional Vanity Wood Tiered Drawer Storage (VWTDS), Vanity Shallow Wood Tiered Drawer Storage (VSWTDS) and Vanity Adjustable Drawer Divider (VADD) are available



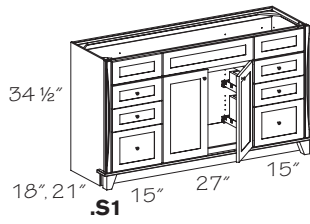
bowls

Tip: False fronts across the entire width of the cabinet allows design flexibility for single or double sink

●	APFC
❖	FPEB
●	MI
●	DE
●	AD_E
●	RD
●	TWR
	WR
	XS
●	GD
	RTK
	VTK

Vanity Combination Drawer w/Decorative Accents–Full False Front (6)

●	APFC
❖	FPEB
●	MI
●	DE
●	AD_E
●	RD
●	TWR
	WR
	XS
●	GD
	RTK
	VTK



34 1/2" High, 18" Deep

VCDF601834 .6.S1

VCDF601834 .6.S2

VCDF601834 .6.S3

VCDF601834 .6.S4

VCDF601834 .6.S5

34 1/2" High, 21" Deep

VCDF602134 .6.S1

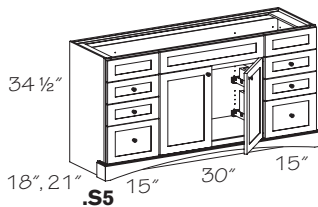
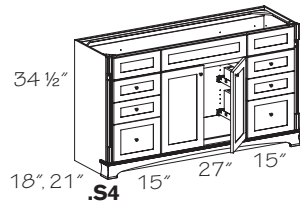
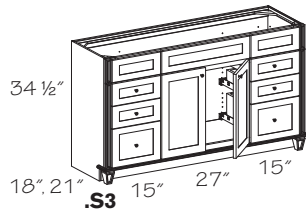
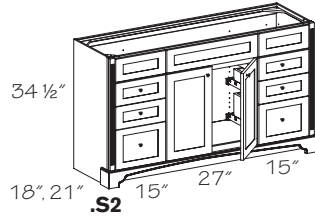
VCDF602134 .6.S2

VCDF602134 .6.S3

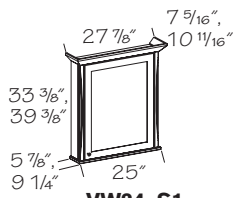
VCDF602134 .6.S4

VCDF602134 .6.S5

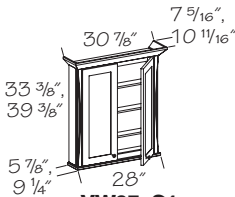
- Three drawer fronts
- Four standard drawers
- Two deep drawers
- Skirt ships separately
- Optional Vanity Wood Tiered Drawer Storage (VWTDS), Vanity Shallow Wood Tiered Drawer Storage (VSWTDS) and Vanity Adjustable Drawer Divider (VADD) are available



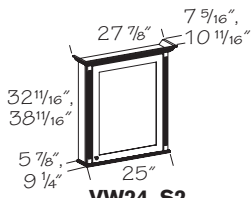
Vanity Wall Cabinet w/Decorative Accents



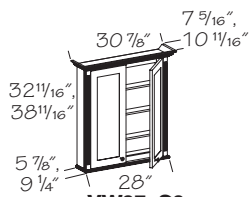
VW24 .S1



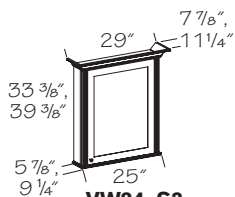
VW27 .S1



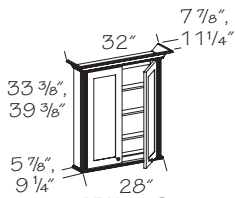
VW24 .S2



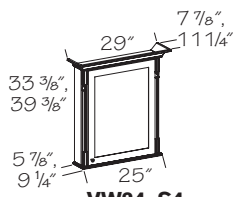
VW27 .S2



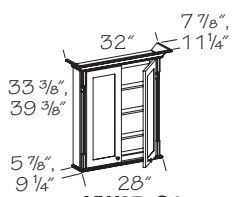
VW24 .S3



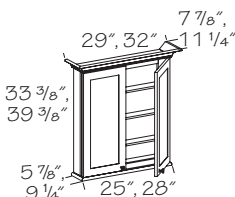
VW27 .S3



VW24 .S4



VW27 .S4



.S5

5 7/8" Deep, 30" High

VW240430 R or L.S1

VW240430 R or L.S2

VW240430 R or L.S3

VW240430 R or L.S4

VW240430 .S5

VW270430 .S1

VW270430 .S2

VW270430 .S3

VW270430 .S4

VW270430 .S5

5 7/8" Deep, 36" High

VW240436 R or L.S1

VW240436 R or L.S2

VW240436 R or L.S3

VW240436 R or L.S4

VW240436 .S5

VW270436 .S1

VW270436 .S2

VW270436 .S3

VW270436 .S4

VW270436 .S5

9 1/4" Deep, 30" High

VW240830 R or L.S1

VW240830 R or L.S2

VW240830 R or L.S3

VW240830 R or L.S4

VW240830 .S5

VW270830 .S1

VW270830 .S2

VW270830 .S3

VW270830 .S4

VW270830 .S5

9 1/4" Deep, 36" High

VW240836 R or L.S1

VW240836 R or L.S2

VW240836 R or L.S3

VW240836 R or L.S4

VW240836 .S5

VW270836 .S1

VW270836 .S2

VW270836 .S3

VW270836 .S4

VW270836 .S5

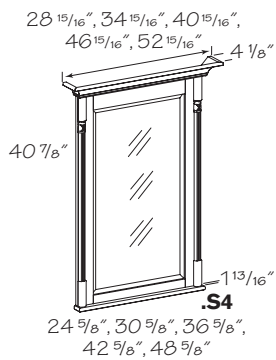
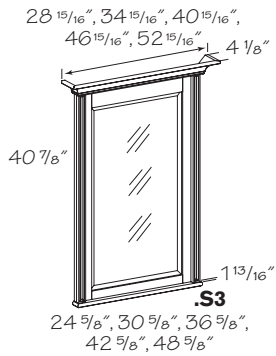
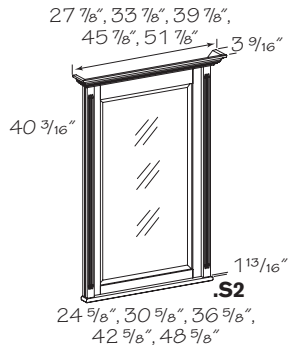
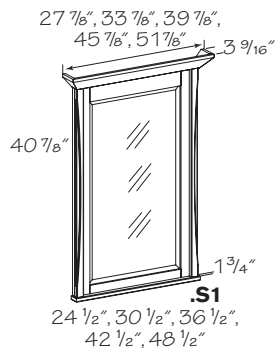
- Specify R or L for single door hinging
- Top and bottom plates ship separately

● APFC
❖ FPFB
● MI
DE
AD_E
RD
TWR
WR
● XS
● GD
RTK
VTK

Framed Mirror w/Decorative Accents

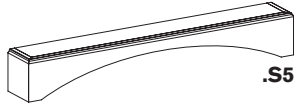
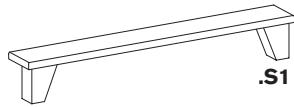
APFC
FPEB
MI
DE
AD_E
RD
TWR
WR
XS
GD
RTK
VTK

• Beveled mirror



- FM2436 .S1
- FM2436 .S2
- FM2436 .S3
- FM2436 .S4
- FM3036 .S1
- FM3036 .S2
- FM3036 .S3
- FM3036 .S4
- FM3636 .S1
- FM3636 .S2
- FM3636 .S3
- FM3636 .S4
- FM4236 .S1
- FM4236 .S2
- FM4236 .S3
- FM4236 .S4
- FM4836 .S1
- FM4836 .S2
- FM4836 .S3
- FM4836 .S4

Vanity Decorative Skirt w/Decorative Accents



VDS1504 .S1	VDS4204 .S1
VDS1504 .S2	VDS4204 .S2
VDS1504 .S3	VDS4204 .S3
VDS1504 .S4	VDS4204 .S4
VDS1504 .S5	VDS4204 .S5
VDS1804 .S1	VDS4504 .S1
VDS1804 .S2	VDS4504 .S2
VDS1804 .S3	VDS4504 .S3
VDS1804 .S4	VDS4504 .S4
VDS1804 .S5	VDS4504 .S5
VDS2104 .S1	VDS4804 .S1
VDS2104 .S2	VDS4804 .S2
VDS2104 .S3	VDS4804 .S3
VDS2104 .S4	VDS4804 .S4
VDS2104 .S5	VDS4804 .S5
VDS2404 .S1	VDS5104 .S1
VDS2404 .S2	VDS5104 .S2
VDS2404 .S3	VDS5104 .S3
VDS2404 .S4	VDS5104 .S4
VDS2404 .S5	VDS5104 .S5
VDS2704 .S1	VDS5404 .S1
VDS2704 .S2	VDS5404 .S2
VDS2704 .S3	VDS5404 .S3
VDS2704 .S4	VDS5404 .S4
VDS2704 .S5	VDS5404 .S5
VDS3004 .S1	VDS5704 .S1
VDS3004 .S2	VDS5704 .S2
VDS3004 .S3	VDS5704 .S3
VDS3004 .S4	VDS5704 .S4
VDS3004 .S5	VDS5704 .S5
VDS3304 .S1	VDS6004 .S1
VDS3304 .S2	VDS6004 .S2
VDS3304 .S3	VDS6004 .S3
VDS3304 .S4	VDS6004 .S4
VDS3304 .S5	VDS6004 .S5
VDS3604 .S1	VDS6304 .S2
VDS3604 .S2	VDS6304 .S4
VDS3604 .S3	VDS6304 .S5
VDS3604 .S4	VDS6604 .S2
VDS3604 .S5	VDS6604 .S4
VDS3904 .S1	VDS6604 .S5
VDS3904 .S2	VDS6904 .S2
VDS3904 .S3	VDS6904 .S4
VDS3904 .S4	VDS6904 .S5
VDS3904 .S5	VDS7204 .S2
	VDS7204 .S4
	VDS7204 .S5

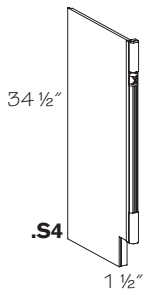
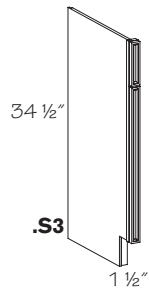
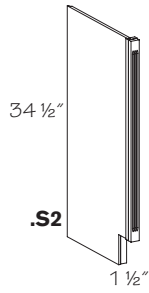
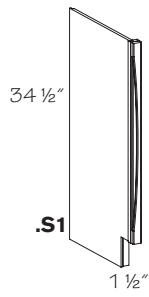
- Solid wood front and sides stained to match or painted White or Cream
- Decorative routing at top
- Designed to fit vanity toe kick space
- If desired, matching toe kick **must** be ordered separately and installed before skirt



Consider using a Vanity Decorative Skirt with other cabinets to create a furniture look. Example: below a sink base or utility cabinet

APFC
FPEB
MI
DE
AD_E
RD
TWR
WR
XS
GD
RTK
VTK

Vanity Decorative Accent End Panel

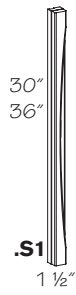


DEP1834 R or L.S1
DEP1834 R or L.S2
DEP1834 R or L.S3
DEP1834 R or L.S4
DEP2134 R or L.S1
DEP2134 R or L.S2
DEP2134 R or L.S3
DEP2134 R or L.S4

- Specify R or L
- Applied decorative accent mounted toward end panel
- End panel is trimmable

●	APFC
◇	FPEB
●	MI
	DE
	AD_E
●	RD
	TWR
	WR
	XS
	GD
	RTK
	VTK

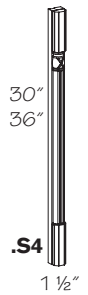
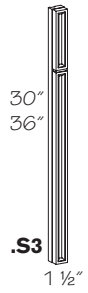
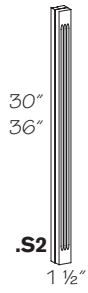
Vanity Decorative Accent Filler



DF130 .S1
DF130 .S2
DF130 .S3
DF130 .S4
DF136 .S1
DF136 .S2
DF136 .S3
DF136 .S4

- 3/4" thick solid wood filler with applied decorative accent centered

APFC
FPEB
MI
DE
AD_E
RD
TWR
WR
XS
GD
RTK
VTK



Vanity Cabinet Accessories

Construction Options and Modifications

PE	Plywood Ends
APC	All Plywood Construction
APFC	All Plywood Furniture Construction
FPEB	Furniture Plywood Ends
MI	Matching Interior
CW	Change Width
RD	Reduced Depth
CH	Change Height
WR	Wide Bottom Rail
VTK	Void Toe Kick

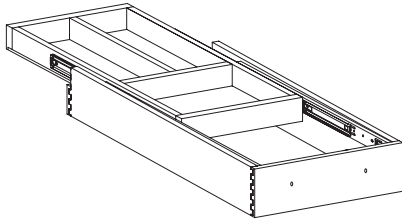
VF3	31
code	height

- ❖ Included as standard
- Available with an upcharge
- ☆ Available with exceptions
- (Blank) **Not** available

Material dimensions listed may vary slightly from actual dimensions of the product.

Specifications subject to change without notice.

Vanity Shallow Wood Tiered Drawer Storage



Factory Installed

- 1VSWTDS**
- 2VSWTDS**
- 4VSWTDS**

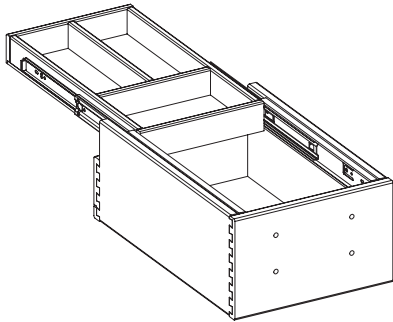
Kit

- VSWTDSK1218**
- VSWTDSK1518**
- VSWTDSK1818**
- VSWTDSK1221**
- VSWTDSK1521**
- VSWTDSK1821**

- Installed in the top drawer of most cabinets. Please refer to Factory Installed Vanity Drawer accessory configuration chart
- Sliding top tray
- Fits 12"-18" wide 4" deep vanity drawers
- Order Example: VCD54-1VWTDS

PE
APC
APFC
FPEB
MI
CW
RD
CH
WR
VTK

Vanity Wood Tiered Drawer Storage



Factory Installed

- 1VWTDS**
- 2VWTDS**
- 4VWTDS**

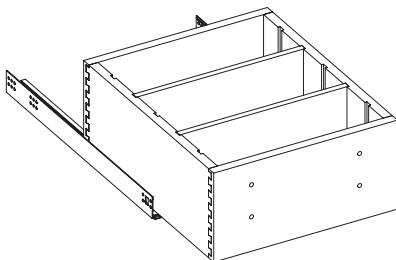
Kit

- VWTDSK1218**
- VWTDSK1518**
- VWTDSK1818**
- VWTDSK1221**
- VWTDSK1521**
- VWTDSK1821**

- Installed in middle drawer of most cabinets with 2 deep drawers. Please refer to Factory Installed Vanity Drawer accessory configuration chart
- Sliding top tray
- Fits 12"- 18" wide 7" deep vanity drawers
- Order Example: VCD36-1VWTDS

PE
APC
APFC
FPEB
MI
CW
RD
CH
WR
VTK

Vanity Adjustable Drawer Dividers



Factory Installed

- 1VADD**
- 2VADD**
- 4VADD**

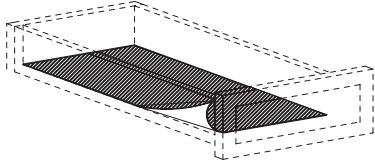
Single Replacement Dividers Only

- VADDIV12 .7** 12" Wide 7" High Drawers
- VADDIV15 .7** 15" Wide 7" High Drawers
- VADDIV18 .7** 18" Wide 7" High Drawers
- VADDIV21 .7** 21" Wide 7" High Drawers
- VADDIV24 .7** 24" Wide 7" High Drawers

- Installed in bottom drawer of most cabinets with 2 deep drawers. Please refer to Factory Installed Vanity Drawer accessory configuration chart
- Two dividers and four available slots standard on 18" deep cabinets
- Two dividers and five available slots standard on 21" deep cabinets
- Dividers are 1/2" thick and can be spaced to preference
- Fits 12"- 24" wide vanity drawers
- Order Example: VCD36-1VADD

PE
APC
APFC
FPEB
MI
CW
RD
CH
WR
VTK

Non-slip drawer liner



21" Deep cabinets
9" Wide

NSDLK921 For Vanity depth 9" drawer

12" Wide

NSDLK1221 For Vanity depth 12" drawer

15" Wide

NSDLK1521 For Vanity depth 15" drawer

18" Wide

NSDLK1821 For Vanity depth 18" drawer

21" Wide

NSDLK2121 For Vanity depth 21" drawer

24" Wide

NSDLK2421 For Vanity depth 24" drawer

27" Wide

NSDLK2721 For Vanity depth 27" drawer

30" Wide

NSDLK3021 For Vanity depth 30" drawer

33" Wide

NSDLK3321 For Vanity depth 33" drawer

36" Wide

NSDLK3621 For Vanity depth 36" drawer

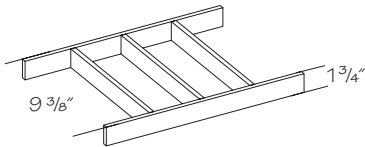
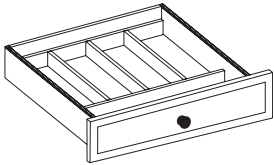
Field Trim

NSDLR Roll-60" wide - Field trim to fit

- Textured translucent lining to help prevent movement of items placed inside drawers
- Liners to not adhere to the drawer floor
- Available cut to size, see available options
- Also available as a roll (60" x 23 5/8")
- Field installation only
- Liners sold individually

PE
APC
APFC
FPEB
MI
CW
RD
CH
WR
VTK

Vanity Drawer Divider



VDDK12 2 Sections

VDDK15 3 Sections

VDDK18 3 Sections

VDDK21 4 Sections

VDDK24 4 Sections

VDDK27 5 Sections

VDDK30 5 Sections

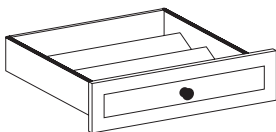
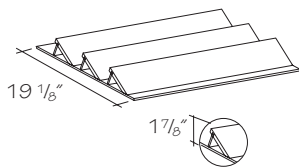
VDDK33 6 Sections

VDDK36 7 Sections

- 1/2" thick solid wood dividers 1 3/4" high

PE
APC
APFC
FPEB
MI
CW
RD
CH
WR
VTK

Vanity Drawer Storage Kit



VDRSK1218

VDRSK1518

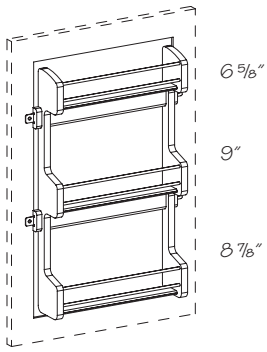
VDRSK1221

VDRSK1521

- 18" deep has two racks

PE
APC
APFC
FPEB
MI
CW
RD
CH
WR
VTK

Vanity Storage Rack Kit

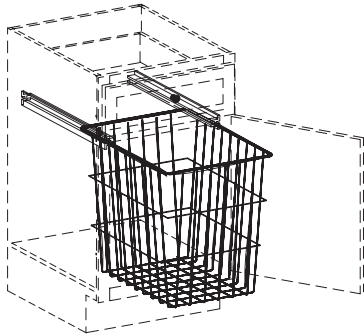


VSRK15
VSRK18
VSRK21

- For use in Vanity Full-Height Cabinets (VC) and Vanity Linen Cabinets (VLC). Requires 21 1/2 minimum height inside frame opening unless trimmed in field

PE
APC
APFC
FPEB
MI
CW
RD
CH
WR
VTK

Hamper Kit

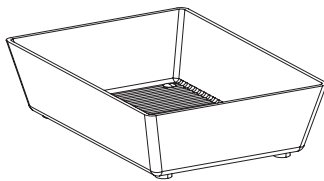


HK15 11" W x 17" H x 19" D
HK18 14" W x 17" H x 19" D

- One hamper, two runners
- Field installation only

PE
APC
APFC
FPEB
MI
CW
RD
CH
WR
VTK

Vanity Filler Pull-out Replacement Trays

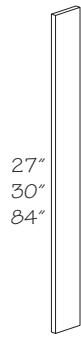


VFPT3
VFPT6

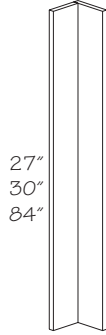
- Includes two clear plastic trays

PE
APC
APFC
FPEB
MI
CW
RD
CH
WR
VTK

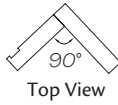
Vanity Filler



VF



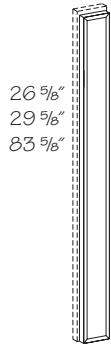
VF3x3



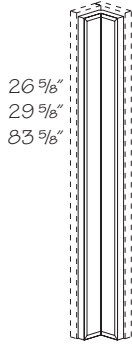
VF3 .31
VF6 .31
VF3 .34
VF6 .34
VF3 .88
VF6 .88
VF3X3 .31
VF3X3 .34

- 3/4" thick solid wood
- Crafted or Quartersawn door styles will be supplied in plain sawn wood
- Finished one side only
- Painted or Stained hardwood supplied for Wood-Grain Foil door styles
- No toe kick

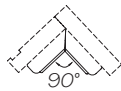
PE
APC
APFC
FPEB
MI
CW
RD
CH
WR
VTK



VFOL



VFOL3x3



Top View

Vanity Filler Overlay

VFOL3 .31

VFOL6 .31

VFOL3 .34

VFOL6 .34

VFOL3 .88

VFOL6 .88

▲ **VFOL3X3 .31**

▲ **VFOL3X3 .34**

※ **VFOL3 .88.FH**

※ **VFOL6 .88.FH**

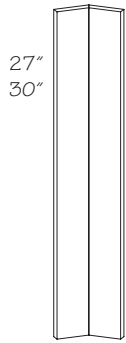
▲ Shipped as two pieces in Thermofoil and Wood-Grain Foil door styles. **Must** be field trimmed and mitered

※ **Not** available in Thermofoil or Wood-Grain Foil door styles; available in High-Gloss Foil door styles

- Available in full overlay door styles only
- Available in High-Gloss Foils finish except in 3X3 models
- Filler overlay has routed door profile and is made from the same material as doors and drawer fronts
- Filler ordered separately
- Consider using Custom Filler Overlay (CFOL) option in applications that require Change Width (CW)

PE
APC
APFC
FPEB
MI
CW
RD
CH
WR
VTK

Vanity Inside Corner Angle Filler

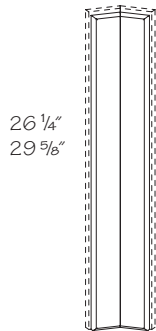


ICAF27
ICAF30

- 3/4" thick solid wood
- Crafted or Quartersawn door styles will be supplied in plain sawn wood
- Painted or Stained hardwood supplied for Wood-Grain Foil door styles
- Finished one side only
- **Not** available in Thermofoil door styles

PE
APC
APFC
FPEB
MI
CW
RD
CH
WR
VTK

Vanity Inside Corner Angle Filler Overlay

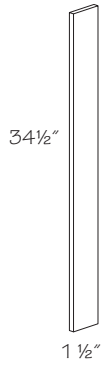


ICAFOL27
ICAFOL30

- 3/4" thick solid wood
- Available in full overlay door styles only
- Filler overlay has routed door profile and is made from the same material as doors and drawer fronts
- Filler ordered separately
- Shipped as two pieces
- **Not** available in Thermofoil door styles

PE
APC
APFC
FPEB
MI
CW
RD
CH
WR
VTK

Vanity Furniture Filler



VF134 .FH

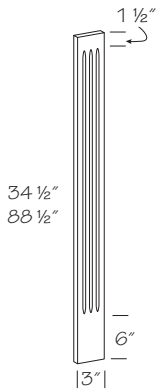
- 3/4" thick solid wood
- Painted or Stained hardwood supplied for Wood-Grain Foil door styles
- Finished on side and edge
- No toe kick
- Intended for Decorative Accent Vanity collections



Remember to use a Vanity Furniture Filler when placing a decorative accent vanity against a wall (3/4") or when placing two decorative accent vanities together (1 1/2"). This will ensure proper placement and avoid any decorative skirt interference during installation.

PE
APC
APFC
FPEB
MI
CW
RD
CH
WR
VTK

Vanity Fluted Filler



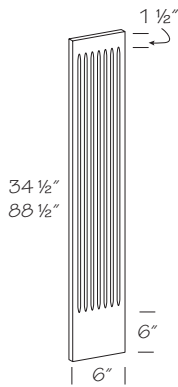
VFF3 .34

VFF6 .34

VFF3 .88

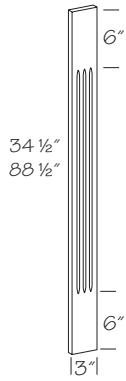
VFF6 .88

- 3/4" thick solid wood
- Painted or Stained hardwood supplied for Wood-Grain Foil door styles



PE
APC
APFC
FPEB
MI
CW
RD
CH
WR
VTK

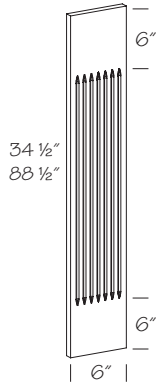
Plain Capital Vanity Fluted Filler



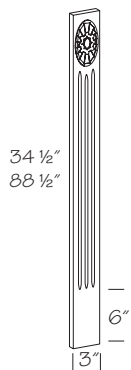
PCVFF3 .34
PCVFF6 .34
PCVFF3 .88
PCVFF6 .88

- 3/4" thick solid wood
- Painted or Stained hardwood supplied for Wood-Grain Foil door styles
- Painted hardwood supplied for EverCore™ and Thermofoil
- Quartersawn door styles are supplied plain sawn

PE
APC
APFC
FPEB
MI
CW
RD
CH
WR
VTK



Rosette Vanity Fluted Filler

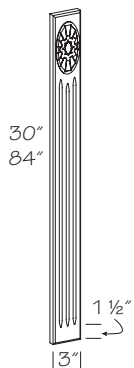


RVFF3 .34
RVFF3 .88

- 3/4" thick solid wood
- Applied decorative rosette
- **Not** available in Rustic Alder, High-Gloss Foil or Wood-Grain Foil door styles

PE
APC
APFC
FPEB
MI
CW
RD
CH
WR
VTK

Rosette Vanity Fluted Filler Overlay

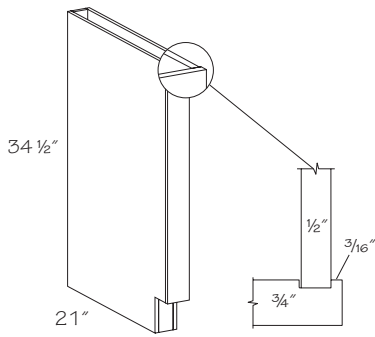


RFVFO3 .34
RFVFO3 .88

- 3/4" thick solid wood
- Applied decorative rosette
- **Not** available in Rustic Alder, High-Gloss Foil or Wood-Grain Foil door styles

PE
APC
APFC
FPEB
MI
CW
RD
CH
WR
VTK

Vanity Box

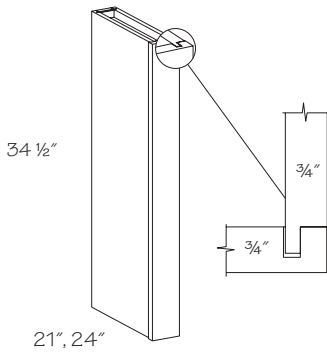


VB32134

- Finished front and both sides
- Reversible, may be used on either right or left end
- Painted hardwood supplied for EverCore™
- Painted or Stained hardwood supplied for Wood-Grain Foil door styles

●	PE
●	APC
●	APFC
●	FPEB
	MI
	CW
●	RD
●	CH
●	WR
●	VTK

Vanity Column



21" Deep

○ **VC32134**

VC62134

24" Deep

○ **VC32434**

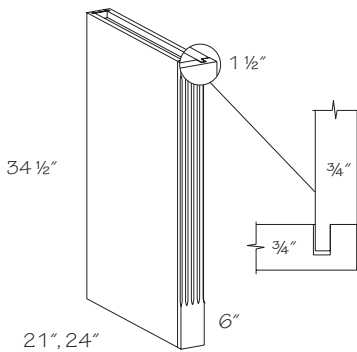
VC62434

○ Change Width (CW) option **not** available

- Quartersawn Oak door styles have 3/4" solid quartersawn wood front and quartersawn wood veneer end panels
- Painted hardwood supplied for EverCore™
- Front is 3/4" solid wood
- Foil-wrapped MDF supplied for Wood-Grain Foil door styles on face frame only
- Finished front and both sides
- Reversible, may be used on either right or left end
- ☆ APFC standard when APC option is selected

	PE
●	APC
☆	APFC
❖	FPEB
	MI
☆	CW
●	RD
●	CH
❖	WR
	VTK

Vanity Fluted Column



21" Deep

VFC32134

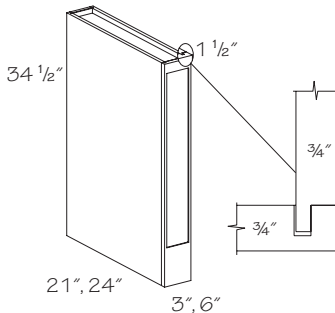
24" Deep

VFC32434

- Quartersawn Oak door styles have quartersawn wood veneer end panels
- Finished front and both sides
- Reversible, may be used on either right or left end
- Fluted front is 3/4" solid wood; plain sawn wood supplied for quartersawn door styles
- Painted hardwood supplied for EverCore™
- Painted or Stained hardwood supplied for Wood-Grain Foil door styles
- **Not** available in Rustic Alder door styles
- ☆ APFC standard when APC option is selected

	PE
●	APC
☆	APFC
❖	FPEB
	MI
	CW
●	RD
●	CH
❖	WR
	VTK

Sterling Vanity Column



STVC321

STVC621

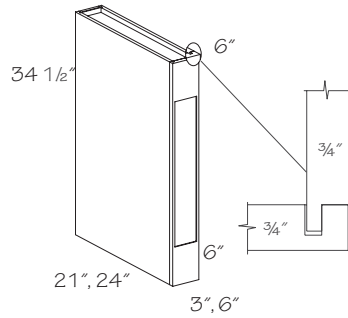
STVC324

STVC624

- Front is 3/4" solid wood
- Available in Rustic Alder, Cherry, EverCore™, Maple and White Wood-Grain Foil door styles only
- Painted hardwood supplied for EverCore™ and Thermofoil
- Finished front and both sides
- Reversible, may be used on either right or left end
- ☆ APFC standard when APC option is selected

	PE
●	APC
☆	APFC
❖	FPEB
	MI
	CW
●	RD
	CH
❖	WR
	VTK

Plain Capital Sterling Vanity Column

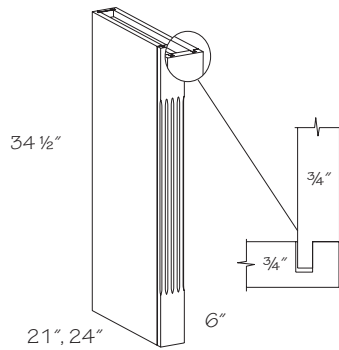


PCSTVC321
PCSTVC621
PCSTVC324
PCSTVC624

- Front is 3/4" solid wood
- Available in Rustic Alder, Cherry, EverCore™, Maple and White Wood-Grain Foil door styles only
- Painted hardwood supplied for EverCore™
- Finished front and both sides
- Reversible, may be used on either right or left end
- ☆ APFC standard when APC option is selected

PE
● APC
☆ APFC
❖ FPEB
MI
CW
● RD
● CH
❖ WR
VTK

Plain Capital Vanity Fluted Column

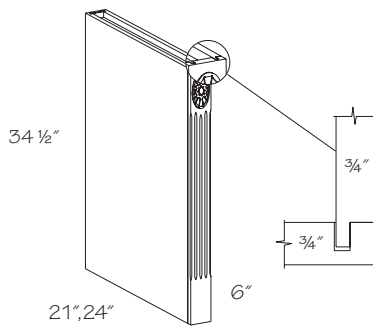


21" Deep
PCVFC32134
 24" Deep
PCVFC32434

- Fluted front is 3/4" solid wood; plain sawn wood supplied for quartersawn door styles
- Quartersawn Oak door styles have quartersawn wood veneer end panels
- Painted hardwood supplied for EverCore™
- Painted or Stained hardwood supplied for Wood-Grain Foil door styles
- Plain sawn material supplied for Briston Crafted door styles
- Finished front and both sides
- Reversible, may be used on either right or left end
- ☆ APFC standard when APC option is selected

PE
● APC
☆ APFC
❖ FPEB
MI
CW
● RD
● CH
❖ WR
VTK

Rosette Vanity Fluted Column

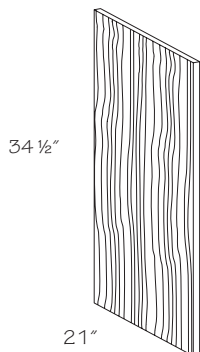


21" Deep
RVFC32134
 24" Deep
RVFC32434

- Fluted front is 3/4" solid wood; plain sawn wood supplied for quartersawn door styles
- Quartersawn Oak door styles have quartersawn wood veneer end panels
- Painted hardwood supplied for EverCore™
- Plain sawn material supplied for Briston Crafted door styles
- Finished front and both sides
- Reversible, may be used on either right or left end
- Applied decorative rosette
- **Not** available in Rustic Alder, High-Gloss Foil or Wood-Grain Foil door styles
- ☆ APFC standard when APC option is selected

PE
● APC
☆ APFC
❖ FPEB
MI
CW
● RD
● CH
❖ WR
VTK

Vanity End Panel

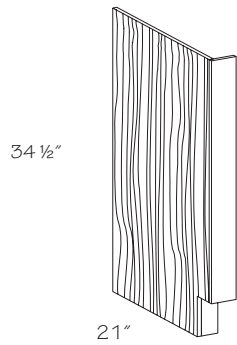


Printed Woodgrain Laminate
 Width x Height x Thickness
VVEP2134 21" x 34 1/2" x 3/4"
 Wood Veneer
WVEP2134 21" x 34 1/2" x 13/16"

- Edgebanded one long edge
- Finished to match exterior both sides
- ☆ APC panel only available in wood veneer
- ☆ APC panel is 11/16" thick

PE
☆ APC
APFC
FPEB
MI
CW
RD
● CH
WR
VTK

Vanity End Panel w/Stile

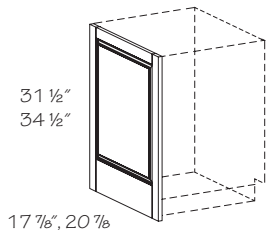


VEP1 1/2 R or L.34
VEP3 R or L.34

- Specify R or L
- Exterior finished to match, interior is Natural Birch printed wood grain laminate and machined to match a cabinet end panel
- Left shown
- Crafted or Quartersawn door styles will be supplied in plain sawn wood
- Painted or Stained hardwood supplied for Wood-Grain Foil door styles

●	PE
●	APC
●	APFC
●	FPEB
●	MI
●	CW
●	RD
●	CH
●	WR
●	VTK

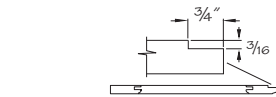
Matching Vanity End Panel



MVEP1831 R or L
MVEP2131 R or L
MVEP1834 R or L
MVEP2134 R or L

- Specify R or L
- 3/4" thick panel with matching door edge profile on front edge only
- Matching panel may **not** align with the cabinet doors
- Left shown
- Foil and slab door styles do **not** have grooves and will **not** fit flush against 1/2" end panel. A 3/16" shim is recommended
- **Not** available in High-Gloss Foil door styles
- **Not** available in mitered door styles; use End Panel-Mitered
- Epic and Foil door styles do **not** have grooves and will **not** fit flush against 1/2" end panel. A 3/16" shim is recommended
- ☆ Wide Bottom Rail—field notch for toe kick

●	PE
●	APC
●	APFC
●	FPEB
●	MI
●	CW
●	RD
●	CH
☆	WR
●	VTK

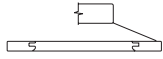
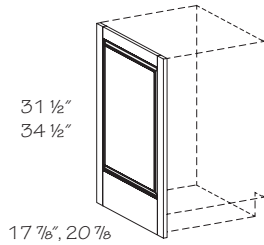


Standard edge detail — fits flush against 1/2" end panel and behind face frame



When designing with Matching End Panels the reveal will differ from the cabinet door height reveal. Matching End Panels cover the entire side of the cabinet. See drawing for exact measurements

Matching Vanity End Panel—Square Edges



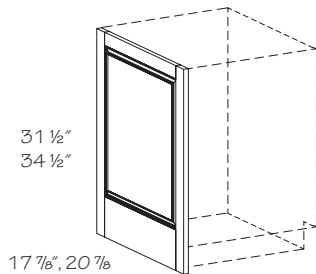
Will not fit flush
against 1/2" end panel,
a 3/16" shim is recommended

MVEP1831 .S
MVEP2131 .S
MVEP1834 .S
MVEP2134 .S

- 3/4" thick panel with square edge front and back
- Inside of matching panel bottom rail will line up with inside bottom rail of door
- Reversible, may be used on either right or left end
- No frame recess dado
- Field installation only
- **Not** available in High-Gloss Foil, Thermofoil or Wood-Grain Foil door styles
- **Not** available in mitered door styles; use End Panel—Mitered
- ☆ Wide Bottom Rail—field notch for toe kick

PE
APC
APFC
FPEB
MI
● CW
RD
● CH
☆ WR
VTK

Furniture Matching Vanity End Panel

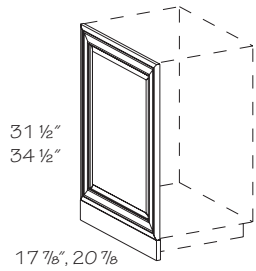


FMVEP1831 R or L
FMVEP2131 R or L
FMVEP1834 R or L
FMVEP2134 R or L

- Specify R or L
- 3/4" thick panel with matching door edge profile on front edge only
- Inside of matching panel bottom rail will line up with inside bottom rail of door
- For use with Furniture Plywood Ends (FPEB)—flush ends
- Left shown
- Field installation only
- **Not** available in mitered door styles; use End Panel—Mitered
- **Not** available in High-Gloss Foil or Wood-Grain Foil door styles
- ☆ Wide Bottom Rail—field notch for toe kick

PE
APC
APFC
FPEB
MI
● CW
RD
● CH
☆ WR
VTK

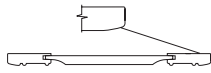
Matching Vanity End Panel—Mitered



M.MVEP1831
M.MVEP2131
M.MVEP1834
M.MVEP2134

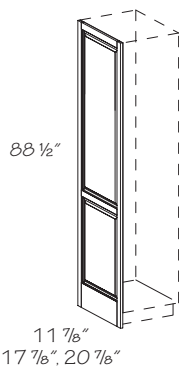
- 3/4" thick panel with matching door edge profile on front edge only
- Inside of matching panel bottom rail will line up with inside bottom rail of door
- Reversible, may be used on either right or left end
- Available in mitered door styles only
- Field installation only
- Toe kick shipped unattached
- ☆ Wide Bottom Rail—field notch for toe kick

PE
APC
APFC
FPEB
MI
● CW
RD
● CH
☆ WR
VTK



Will not fit flush against 1/2" end panel, a 3/16" shim is recommended

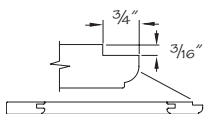
Matching Tall Vanity End Panel



- **MTEP1288 R or L**
MTEP1888 R or L
MTEP2188 R or L
- Change Width (CW) option **not** available

- Specify R or L
- 3/4" thick panel with matching door edge profile on front edge only
- Matching panel may **not** align with the cabinet doors
- Left shown
- Field installation only
- **Not** available in High-Gloss Foil, Thermofoil or Wood-Grain Foil door styles
- **Not** available in mitered door styles; use End Panel—Mitered
- **Not** available in slab door styles
- ☆ Wide Bottom Rail—field notch for toe kick

PE
APC
APFC
FPEB
MI
☆ CW
RD
● CH
☆ WR
VTK

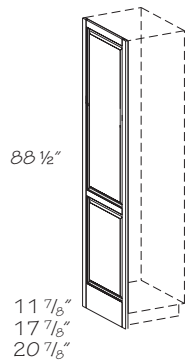


Standard edge detail—fits flush against 1/2" end panel and behind face frame



When designing with Matching End Panels the reveal will differ from the cabinet door height reveal. Matching End Panels cover the entire side of the cabinet. See drawing for exact measurements

Matching Tall Vanity End Panel—Square Edges



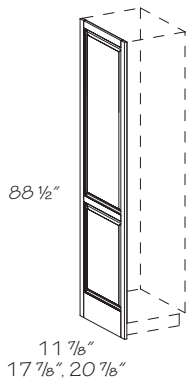
Will not fit flush against 1/2" end panel, a 3/16" shim is recommended

- **MTEP1288 .S**
MTEP1888 .S
MTEP2188 .S
- Change Width (CW) option **not** available

- 3/4" thick panel with square edge front and back
- Reversible, may be used on either right or left end
- No frame recess dado
- Matching panel may **not** align with the cabinet doors
- Field installation only
- **Not** available in High-Gloss Foil, Thermofoil or Wood-Grain Foil door styles
- **Not** available in mitered door styles; use End Panel—Mitered
- **Not** available in slab door styles
- ☆ Wide Bottom Rail—field notch for toe kick

PE
APC
APFC
FPEB
MI
☆ CW
RD
● CH
☆ WR
VTK

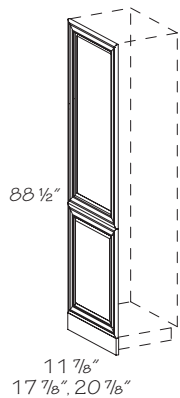
Furniture Matching Tall Vanity End Panel



- **FMTEP1288 R or L**
FMTEP1888 R or L
FMTEP2188 R or L
- Change Width (CW) option **not** available

- Specify R or L
- 3/4" thick panel with matching door edge profile on front edge only
- Matching panel may **not** align with the cabinet doors
- Left shown
- Field installation only
- For use with Furniture Plywood Ends (FPEB)—flush ends
- **Not** available in High-Gloss Foil, Thermofoil or Wood-Grain Foil door styles
- **Not** available in mitered door styles; use End Panel—Mitered
- **Not** available in slab door styles
- ☆ Wide Bottom Rail—field notch for toe kick

PE
APC
APFC
FPEB
MI
☆ CW
RD
● CH
☆ WR
VTK



Will not fit flush against 1/2" end panel, a 3/16" shim is recommended

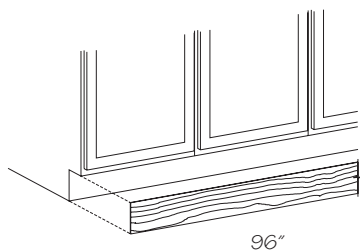
Matching Tall Vanity End Panel-Mitered

- **M.MTEP1288**
M.MTEP1888
M.MTEP2188
- Change Width (CW) option *not* available

- 3/4" thick panel with matching door edge profile on four sides
- Matching panel may *not* align with the cabinet doors
- Reversible, may be used on either right or left end
- Available in mitered door styles only
- Field installation only
- Top, bottom and toe kick shipped separately
- *Not* available in High-Gloss Foil, Thermofoil or Wood-Grain Foil door styles

PE
APC
APFC
FPEB
MI
☆ CW
RD
● CH
WR
VTK

Toe Kick



Black

BLTK8

1/8" thick hardboard, 4 1/2" high

Wood grain Laminate

MTK8

1/8" thick hardboard, 4 1/2" high, laminated with matching printed wood grain laminate

Laminate

MTK8

1/8" thick hardboard, 4 1/2" high, laminated with matching printed wood grain laminate

Aluminum finish

MTK8 .A

1/16" thick flexible laminate, 4 1/2" high

Stainless finish

MTK8 .S

1/16" thick flexible laminate, 4 1/2" high

Wood Veneer

◆ **WMTK8**

3/16" thick wood veneer, 4 1/2" high, to match

- ◆ Quartersawn Oak door styles are quartersawn wood veneer
- ▲ Painted or Stained hardwood supplied for Wood-Grain Foil door styles

- Edges are unfinished
- Field installation only
- **Note:** Matching toe kick is *not* automatically supplied with cabinets. It *must* be ordered as a separate item



Apply Shoe Molding (SHO8) at the base of Matching Toe Kicks or Wood Matching Toe Kicks (MTK8 or WMTK8) for a nice, finished look.

PE
APC
APFC
FPEB
MI
CW
RD
CH
WR
VTK

Factory Installed Vanity Drawer Accessory Configuration Chart

Vanity Shallow Wood Tiered Drawer Storage (VSWTDS)

Cabinets		1VSWTDS	2VSWTDS	4VSWTDS
Vanity Base (12"-18")	VB_31	top	N/A	N/A
Vanity Sink Base (42"-60")	VS_B_31	left top	left top right top	N/A
Vanity Sink Base (60")	VS_B_31.3	top	N/A	N/A
Vanity Base Drawer (12"-18")	VBD_31	top	N/A	N/A
Vanity Sink Base Three Drawer*	VS_B60_34.3	top	N/A	N/A
Vanity Sink Base Four Drawer*	VS_B60_34.4	top	top + second	N/A
Vanity Combination (42"-60")	VCD_31.6	left top	left top right top	N/A
Vanity Combination Drawer (2)*	VCD_34.DL2 or DR2	N/A	N/A	N/A
Vanity Combination Drawer (3)*	VCD_34.DL3 or DR3	top	top + second	N/A
Vanity Combination Drawer (6)*	VCD_34.6	left top	left top + right top	N/A
Vanity Combination Drawer (8)*	VCD_34.8	left top	left top + right top	left top + second & right top + second
Vanity Combination Drawer- Full False Front (4)*	VCDF60_34.4	N/A	N/A	N/A
Vanity Combination Drawer- Full False Front (6)*	VCDF60_34.6	left top	left top + right top	left top + second & right top + second
Vanity Base Drawer	VBD_34.3	top	N/A	N/A
Vanity Base Four Drawer	VBD_34.4	top	top + second	N/A
Vanity Linen Cabinet Three Drawer	VLC_88.3	top	N/A	N/A
Vanity Linen Cabinet Four Drawer	VLC_88.4	top	top + second	N/A

* includes Decorative Accent Vanity collection models

Factory Installed Vanity Drawer Accessory Configuration Chart

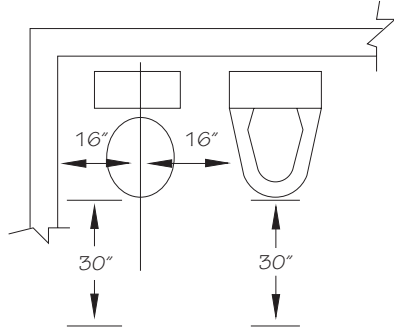
Vanity Wood Tiered Drawer Storage (VWTDS) Vanity Adjustable Drawer Dividers (VADD)

Cabinets		1VWTDS		1VADD		2VWTDS		2VADD		4VWTDS		4VADD		1VWTDS 1VADD		2VWTDS 2VADD		
Wall Hung Vanity Combination Drawer (42"-48")	WHVCD	top	bottom	1 top 1 bottom	1 top 1 bottom	N/A	N/A	N/A	N/A	VWTDS top VADD bottom	N/A	N/A	N/A	N/A	N/A	N/A	N/A	
Vanity Sink Base (60")	VS8_31.3	middle	bottom	1 middle 1 bottom	1 middle 1 bottom	N/A	N/A	N/A	N/A	VWTDS middle VADD bottom	N/A	N/A	N/A	N/A	N/A	N/A	N/A	
Vanity Base Drawer (12"-18")	VBD_31	middle	bottom	1 middle 1 bottom	1 middle 1 bottom	N/A	N/A	N/A	N/A	VWTDS middle VADD bottom	N/A	N/A	N/A	N/A	N/A	N/A	N/A	
Vanity Sink Base Three Drawer*	VS860_34.3	middle	bottom	1 middle 1 bottom	1 middle 1 bottom	N/A	N/A	N/A	N/A	VWTDS middle VADD bottom	N/A	N/A	N/A	N/A	N/A	N/A	N/A	
Vanity Sink Base Four Drawer*	VS860_34.4	bottom	bottom	N/A	N/A	N/A	N/A	N/A	N/A	N/A	N/A	N/A	N/A	N/A	N/A	N/A	N/A	
Vanity Combination Drawer (24"-36")	VCD_31	middle	bottom	1 middle 1 bottom	1 middle 1 bottom	N/A	N/A	N/A	N/A	VWTDS middle VADD bottom	N/A	N/A	N/A	N/A	N/A	N/A	N/A	
Vanity Combination Drawer (42"-60")	VCD_31.6	left middle	left bottom	1 left middle 1 right middle	1 left bottom 1 right bottom	1 left middle 1 right middle 1 left bottom 1 right bottom	1 left middle 1 right middle 1 left bottom 1 right bottom	VWTDS right bottom VADD left bottom	VWTDS left middle VWTDS right middle VADD left bottom VADD right bottom	N/A	N/A	N/A	N/A	N/A	N/A	N/A	N/A	N/A
Vanity Combination Drawer (2)*	VCD_34. DL2 or DR2	middle	bottom	1 middle 1 bottom	1 middle 1 bottom	N/A	N/A	N/A	N/A	VWTDS middle VADD bottom	N/A	N/A	N/A	N/A	N/A	N/A	N/A	
Vanity Combination Drawer (3)*	VCD_34. DL3 or DR3	bottom	bottom	N/A	N/A	N/A	N/A	N/A	N/A	N/A	N/A	N/A	N/A	N/A	N/A	N/A	N/A	
Vanity Combination Drawer (6)*	VCD_34.6	left middle	left bottom	1 left middle 1 right middle	1 left bottom 1 right bottom	1 left middle 1 right middle 1 left bottom 1 right bottom	1 left middle 1 right middle 1 left bottom 1 right bottom	VWTDS left middle VADD left bottom	VWTDS left middle VWTDS right middle VADD left bottom VADD right bottom	N/A	N/A	N/A	N/A	N/A	N/A	N/A	N/A	N/A
Vanity Combination Drawer (8)*	VCD_34.8	left bottom	left bottom	1 left bottom 1 right bottom	1 left bottom 1 right bottom	N/A	N/A	N/A	N/A	VWTDS right bottom VADD left bottom	N/A	N/A	N/A	N/A	N/A	N/A	N/A	
Vanity Combination Drawer- Full False Front (4)*	VCDF60_34.4	left middle	left bottom	1 left middle 1 right middle	1 left bottom 1 right bottom	1 left middle 1 right middle 1 left bottom 1 right bottom	1 left middle 1 right middle 1 left bottom 1 right bottom	VWTDS left middle VADD left bottom	VWTDS left middle VWTDS right middle VADD left bottom VADD right bottom	N/A	N/A	N/A	N/A	N/A	N/A	N/A	N/A	N/A
Vanity Combination Drawer- Full False Front (6)*	VCDF60_34.6	left bottom	left bottom	1 left bottom 1 right bottom	1 left bottom 1 right bottom	N/A	N/A	N/A	N/A	VWTDS right bottom VADD left bottom	N/A	N/A	N/A	N/A	N/A	N/A	N/A	
Vanity Base Drawer	VBD_34.3	middle	bottom	1 middle 1 bottom	1 middle 1 bottom	N/A	N/A	N/A	N/A	VWTDS middle VADD bottom	N/A	N/A	N/A	N/A	N/A	N/A	N/A	
Vanity Base Four Drawer	VBD_34.4	bottom	bottom	N/A	N/A	N/A	N/A	N/A	N/A	N/A	N/A	N/A	N/A	N/A	N/A	N/A	N/A	
Vanity Linen Cabinet Three Drawer	VLC_88.3	middle	bottom	1 middle 1 bottom	1 middle 1 bottom	N/A	N/A	N/A	N/A	VWTDS middle VADD bottom	N/A	N/A	N/A	N/A	N/A	N/A	N/A	
Vanity Linen Cabinet Four Drawer	VLC_88.4	bottom	bottom	N/A	N/A	N/A	N/A	N/A	N/A	N/A	N/A	N/A	N/A	N/A	N/A	N/A	N/A	

* includes Decorative Accent Vanity collection models

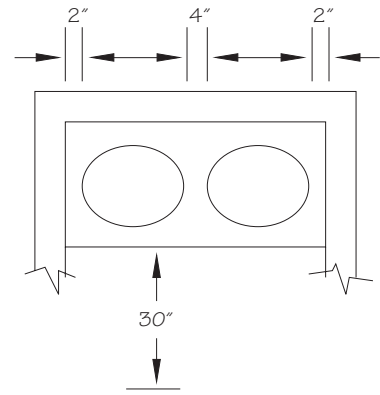
Vanity Bath Clearances

Minimum Clearances

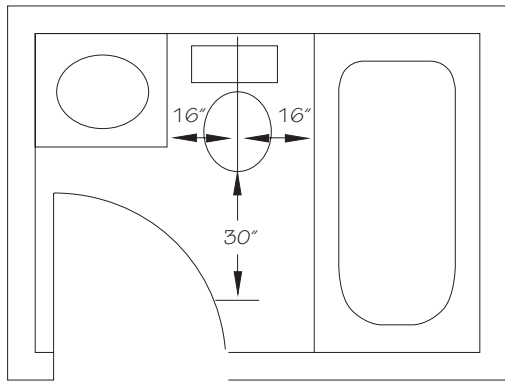


Minimum 30" of clearance space in front of the fixture

A minimum of 2" from the edge of the bowl to a wall or similar obstruction

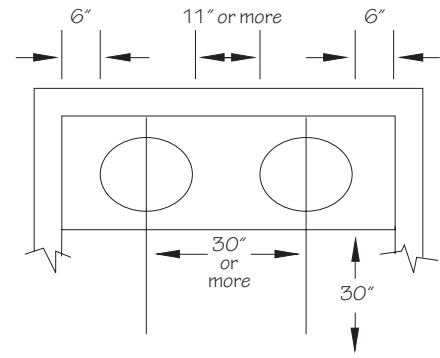
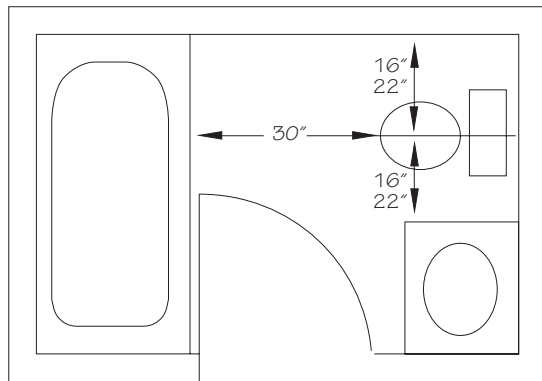
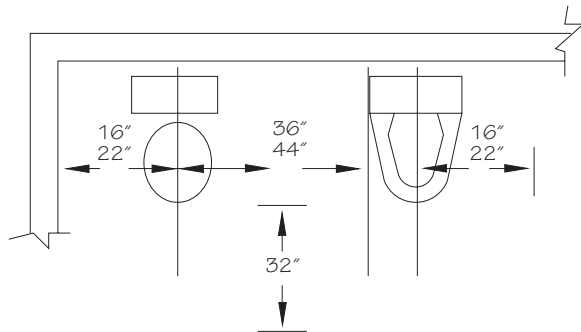


Minimum 30" of clearance space in front of the fixture. When using double bowls, allow 4" of space between the edge of each bowl.



16" of clearance on each side of center

Desirable Clearances



Notes

Office Cabinets

Construction Options and Modifications

OW	33	36
code	width	height

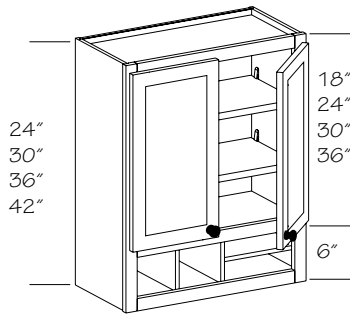
- ❖ Included as standard
- Available with an upcharge
- ☆ Available with exceptions
- (Blank) **Not** available

- PE Plywood Ends
- APC All Plywood Construction
- APFC All Plywood Furniture Construction
- FPEB Furniture Plywood Ends
- MI Matching Interior
- OE Operational End
- CW Change Width
- RD Reduced Depth
- CH Change Height
- IF Inverted Frame
- TWR Top Wide Rail
- WR Wide Bottom Rail
- XS Extended Stile
- GD Glass Doors
- RTK Recessed Toe Kick
- RTKP Recessed Toe Kick Peninsula
- VTK Void Toe Kick
- TKD Toe Kick Drawer

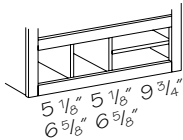
Note: Standard office cabinet box depth is 18", 21" or 24" unless stated otherwise. Add door thickness with bumpers for total depth. Standard base desk cabinet height is 29" unless stated otherwise.

Material dimensions listed may vary slightly from actual dimensions of the product.

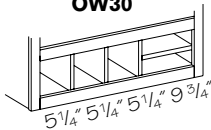
Specifications subject to change without notice.



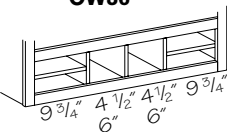
**OW24
OW27**



OW30



**OW33
OW36**



Organizer Wall Cabinet

No shelf
24" High

- ❖ **OW2424 BUTT**
- ❖ **OW2724 (Butt)**

- ❖ **OW3024**
- ❖ **OW3324**
- ❖ **OW3624**

One shelf
30" High

- ❖ **OW2430 R or L**
- ❖ **OW2430 BUTT**
- ❖ **OW2730 (Butt)**

- ❖ **OW3030**
- ❖ **OW3330**
- ❖ **OW3630**

Two shelves
36" High

- ❖ **OW2436 R or L**
- ❖ **OW2436 BUTT**
- ❖ **OW2736 (Butt)**

- ❖ **OW3036**
- ❖ **OW3036 BUTT**
- ❖ **OW3336**
- ❖ **OW3636**
- ❖ **OW3636 BUTT**

Three shelves
42" High

- ❖ **OW2442 R or L**
- ❖ **OW2442 BUTT**
- ❖ **OW2742 (Butt)**

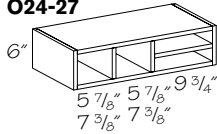
- ❖ **OW3042**
- ❖ **OW3342**
- ❖ **OW3642**

- ❖ 3" center stile
- ❖ Single door—specify R or L

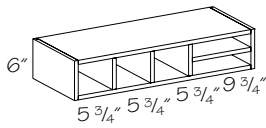
- Specify R or L for single door hinging
- Adjustable shelves
- Back Options (BEB and VGRB) **not** available
- Contrasting Back Options (CBEB, CPLB, CVGR) **not** available
- ☆ Organizer section only is matching interior standard

- PE
- APC
- APFC
- FPEB
- ☆ MI
- OE
- CW
- RD
- CH
- IF
- TWR
- WR
- XS
- GD
- RTK
- RTKP
- VTK
- TKD

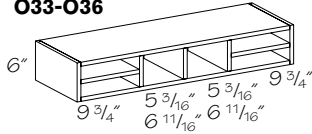
O24-27



O30



O33-O36



Organizers

- O24**
- O27**
- O30**
- O33**
- O36**

- 5/8" wood veneer construction; **not** available in plywood
- Vinyl edge banding applied to edges of cabinet
- Crafted or Quartersawn door styles will be supplied in plain sawn wood
- Contrasting Back Options (CBEB, CPLB, CVGR) **not** available
- The staple/nail holes are visible on the ends of the organizer cabinets with fixed shelves; shelves are pin nailed from the outside of the cabinet
- **Note:** This cabinet features "frameless" type construction

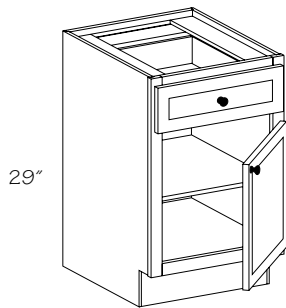


When using an Organizer (O—) Cabinet or Spice Drawer Cabinet (SDC), which have flush ends

standard, under a wall cabinet at the end of a run, either attach Furniture Ends (FE) or order a 3/16" Wood Skin (WSK) for the wall cabinet to flush the ends. (There will be a seam.) Also, consider ordering a furniture matching wall end panel if the height of the finished product allows it. For an alternative, see our Organizer Wall Cabinet in the Office Cabinet section.

PE
APC
APFC
FPEB
MI
OE
CW
RD
CH
IF
TWR
WR
XS
GD
RTK
RTKP
VTK
TKD

Desk Door Cabinet—Single Door



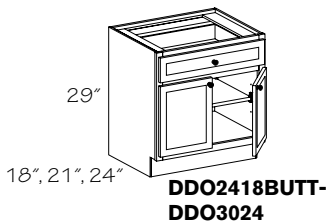
- 18" Deep
 - **DDO1218 R or L**
 - **DDO1518 R or L**
 - **DDO1818 R or L**
 - **DDO2118 R or L**
 - **DDO2418 R or L**
- 21" Deep
 - **DDO12 R or L**
 - **DDO15 R or L**
 - **DDO18 R or L**
 - **DDO21 R or L**
 - **DDO24 R or L**
- 24" Deep
 - **DDO1224 R or L**
 - **DDO1524 R or L**
 - **DDO1824 R or L**
 - **DDO2124 R or L**
 - **DDO2424 R or L**

- Specify R or L for single door hinging
- Comfortable height for dressing table or writing surface
- One adjustable shelf
- DDO12, 15, and 18 available with Full-Height Door (FHK) option
- ☆ Operational End (OE) is **not** available with Reduced Depth (RD) option

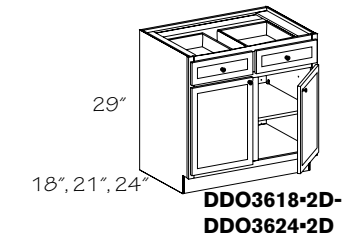
○ Change Width (CW) option **not** available

PE
APC
APFC
FPEB
MI
☆ OE
☆ CW
RD
CH
IF
TWR
WR
XS
GD
RTK
RTKP
VTK
TKD

Desk Door Cabinet—Double Door



**DDO2418BUTT-
DDO3024**



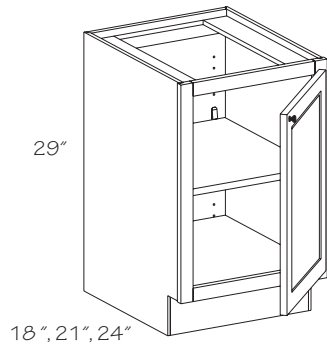
**DDO3618-2D-
DDO3624-2D**

- 18" Deep
 - **DDO2418 BUTT**
 - **DDO2718**
 - ◆ **DDO3018**
 - Two Drawer*
 - ◆ **DDO3618 .2D**
 - 24" Deep
 - **DDO2424 BUTT**
 - **DDO2724**
 - ◆ **DDO3024**
 - Two Drawer*
 - ◆ **DDO3624 .2D**
 - 21" Deep
 - **DDO24 BUTT**
 - **DDO27**
 - ◆ **DDO30**
 - Two Drawer*
 - ◆ **DDO36 .2D**
- Change Width (CW) option **not** available
- ◆ 3" center stile

- Comfortable height for dressing table or writing surface
- One adjustable shelf
- DDO30 and 36 available with Full-Height Door (FHK) option
- ☆ Operational End (OE) is **not** available with Reduced Depth (RD) option

PE
APC
APFC
FPEB
MI
☆ OE
☆ CW
RD
CH
IF
TWR
WR
XS
GD
RTK
RTKP
VTK
TKD

Desk Full-Height Door



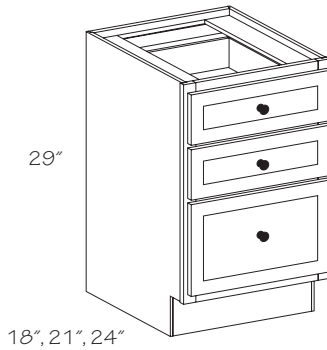
- 18" Deep**
- **DDO1218 R or L.FH**
 - **DDO1518 R or L.FH**
 - **DDO1818 R or L.FH**
 - ◆ **DDO3018 .FH**
 - ◆ **DDO3618 .FH**
- 21" Deep**
- **DDO12R or L.FH**
 - **DDO15R or L.FH**
 - **DDO18R or L.FH**
 - ◆ **DDO30.FH**
 - ◆ **DDO36.FH**
- Change Width (CW) option **not** available
- ◆ 3" center stile

- 24" Deep**
- **DDO1224 R or L.FH**
 - **DDO1524 R or L.FH**
 - **DDO1824 R or L.FH**
 - ◆ **DDO3024 .FH**
 - ◆ **DDO3624 .FH**

- Specify R or L for single door hinging
- Comfortable height for dressing table or writing surface
- One adjustable shelf
- ☆ Operational End (OE) is **not** available with Reduced Depth (RD) option

- PE
- APC
- APFC
- FPEB
- MI
- ☆ OE
- ☆ CW
- RD
- CH
- IF
- TWR
- WR
- XS
- GD
- RTK
- RTKP
- VTK
- TKD

Desk Drawer Cabinet



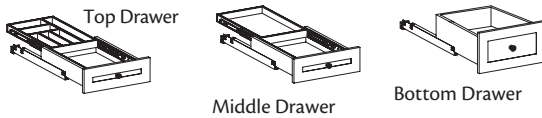
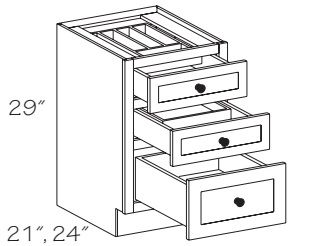
- 18" Deep**
- **DDR1218**
 - **DDR1518**
 - **DDR1818**
 - **DDR2118**
 - **DDR2418**
- 21" Deep**
- **DDR12**
 - **DDR15**
 - **DDR18**
 - **DDR21**
 - **DDR24**
- Change Width (CW) option **not** available

- 24" Deep**
- **DDR1224**
 - **DDR1524**
 - **DDR1824**
 - **DDR2124**
 - **DDR2424**

- Comfortable height for dressing table or writing surface
- Two standard drawers
- One deep drawer
- Deep drawer will **not** accept hanging file folders

- PE
- APC
- APFC
- FPEB
- MI
- OE
- CW
- RD
- CH
- IF
- TWR
- WR
- XS
- GD
- RTK
- RTKP
- VTK
- TKD

Desk Multi-Storage Drawer Cabinet

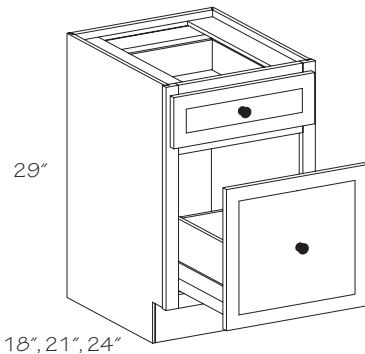


- 21" Deep**
- **DMSD18**
 - **DMSD21**
 - **DMSD24**
- 24" Deep**
- **DMSD1824**
 - **DMSD2124**
 - **DMSD2424**

- Two Tiered Drawer Storage drawers with dividers in top tray of top drawer only
- Bottom drawer is 7" deep

- PE
- APC
- APFC
- FPEB
- MI
- OE
- CW
- RD
- CH
- IF
- TWR
- WR
- XS
- GD
- RTK
- RTKP
- VTK
- TKD

Desk File Drawer Cabinet



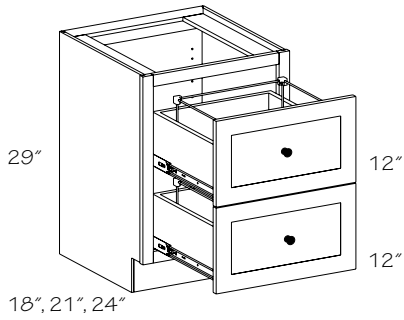
- 18" Deep**
- **DFD1518**
 - **DFD1818**
 - **DFD2118**
 - **DFD2418**
- 21" Deep**
- **DFD15**
 - **DFD18**
 - **DFD21**
 - **DFD24**
- Change Width (CW) option **not** available

- 24" Deep**
- **DFD1524**
 - **DFD1824**
 - **DFD2124**
 - **DFD2424**

- One standard drawer, one deep drawer
- Designed to accept standard hanging file system - hanging system **not** included
- 15", 21" and 24" wide DFDs are designed to be used as a lateral file
- 18" deep cabinets **cannot** hold legal size folders when used as a lateral file
- All DFD drawer fronts will match the door panel detail rather than the standard drawer front for that door style
- Hanging file hardware is **not** included
- Hanging file folders **not** included
- ☆ Minimum Reduced Depth (RD) is 18"

- PE
- APC
- APFC
- FPEB
- MI
- OE
- ☆ CW
- ☆ RD
- CH
- IF
- TWR
- WR
- XS
- GD
- RTK
- RTKP
- VTK
- TKD

Desk Double File Drawer

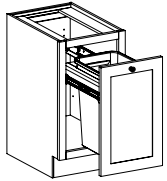


18" Deep
DDFD1818
DDFD2418
DDFD3018
 21" Deep
DDFD18
DDFD24
DDFD30
 24" Deep
DDFD1824
DDFD2424
DDFD3024

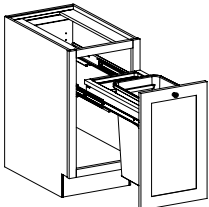
- Two deep drawers with side-mount full-extension runners
- 24" wide DDFDs are designed to be used as a lateral file and can be adjusted to accept letter or legal file folders
- 18" and 30" wide DDFDs are designed to be used as a standard or lateral file and can be adjusted to accept letter or legal file folders
- 18" deep cabinets **cannot** hold legal size folders when used as a lateral file
- Hanging file hardware is included and attached to drawer box sides to support hanging file folders. Drawer box bottom does **not** support any weight
- Hanging file folders **not** included

- PE
- APC
- APFC
- FPFB
- MI
- OE
- CW
- RD
- CH
- IF
- TWR
- WR
- XS
- GD
- RTK
- RTKP
- VTK
- TKD

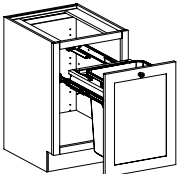
Desk Wastebasket



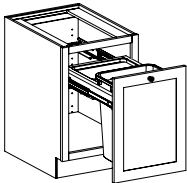
DWBT15 18"-21" D



DWBT1524



DWBT18 18"-21" D

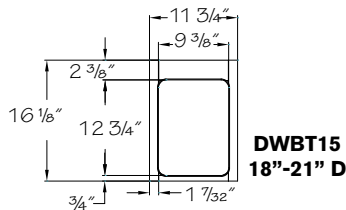


DWBT1824

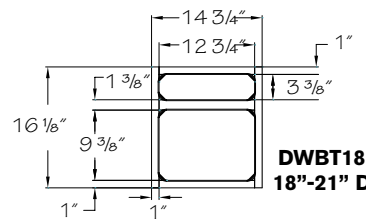
18" Deep
DWBT1518 .FH
DWBT1818 .FH
 21" Deep
DWBT15 .FH
DWBT18 .FH
 24" Deep
DWBT1524 .FH
DWBT1824 .FH

- One 35 qt. capacity basket
- Grey basket(s)
- Basket(s) rest in a Natural Maple plywood frame
- Basket(s) are easily removable for emptying or cleaning
- Door is attached to roll-out unit
- Frame slides on full extension glides
- Includes 3 1/2" deep bag storage tray at rear
- Optional Wastebasket Lid (WBL35.G) available for 35 qt. wastebasket

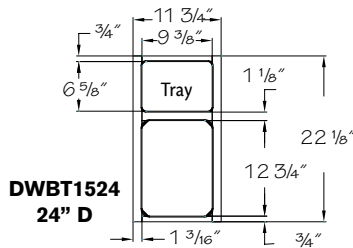
- PE
- APC
- APFC
- FPFB
- MI
- OE
- CW
- RD
- CH
- IF
- TWR
- WR
- XS
- GD
- RTK
- RTKP
- VTK
- TKD



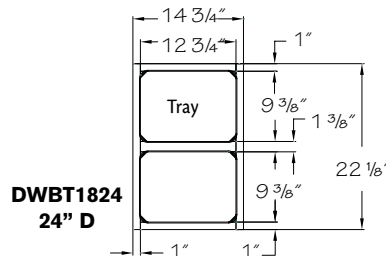
DWBT15 18"-21" D



DWBT18 18"-21" D

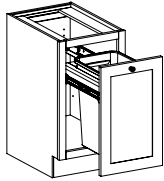


DWBT1524 24" D

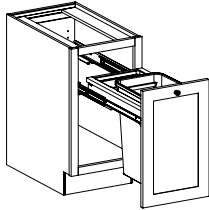


DWBT1824 24" D

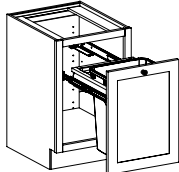
Desk Wastebasket w/Soft-Close Runners



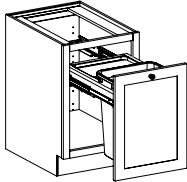
DWBT15 21" D



DWBT1524



DWBT18 21" D



DWBT1824

21" Deep

DWBT15 .FH.SC

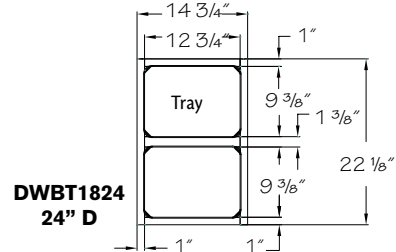
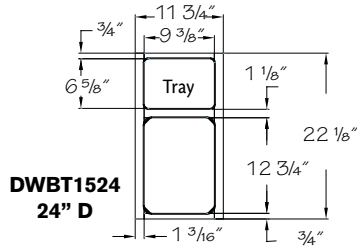
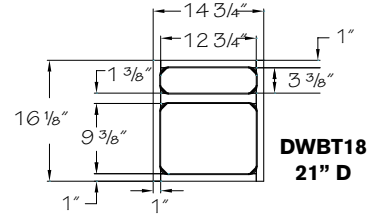
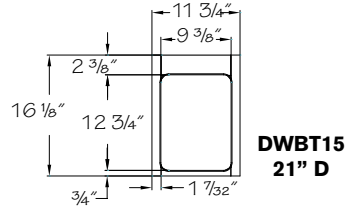
DWBT18 .FH.SC

24" Deep

DWBT1524 .FH.SC

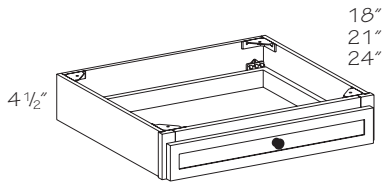
DWBT1824 .FH.SC

- One 35 qt. capacity basket
- Grey basket(s)
- Basket(s) rest in a Natural Maple plywood frame
- Basket(s) are easily removable for emptying or cleaning
- Door is attached to roll-out unit
- Frame slides on Soft-Close, full extension glides
- Includes 3 1/2" deep bag storage tray at rear
- Optional Wastebasket Lid (WBL35.G) available for 35 qt. wastebasket

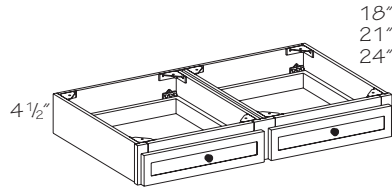


- PE
- APC
- APFC
- FPFB
- MI
- OE
- CW
- RD
- CH
- IF
- TWR
- WR
- XS
- GD
- RTK
- RTKP
- VTK
- TKD

Desk Knee Drawer Cabinet



DKD21-DKD33



DKD36 -2D

- 18" Deep
- DKD2118
 - DKD2418
 - DKD2718
 - DKD3018
 - DKD3318
 - ▲○DKD3618 .2D
- 21" Deep
- DKD21
 - DKD24
 - DKD27
 - DKD30
 - DKD33
 - ▲○DKD36 .2D
- 24" Deep
- DKD2124
 - DKD2424
 - DKD2724
 - DKD3024
 - DKD3324
 - ▲○DKD3624 .2D
- Change Width (CW) option *not* available
 ▲ Two drawers side by side

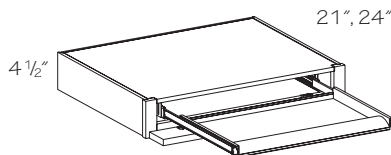
- Unit is designed for use between two base, desk or tall cabinets
- When mounted at 29" height with a 1 1/2" countertop, unit provides a comfortable writing surface
- One end of DKD can be supported by optional Desk End Panel (DEP)
- Drawer will be slab, including DRPD, except Martel-Full and Rockwell door styles
- **Not** trimmable
- ☆ End panels are 1/2" plywood with Natural Birch printed wood grain laminate interior and exterior



Consider using a Cabinet Front Only (CFO) under a desk to cover up wires, outlets etc. This will decorate the area, plus give easy access to cords. Especially useful if you are placing a CPU in a cabinet next to your knee space.

☆	PE
●	APC
●	APFC
●	FPEB
●	MI
●	OE
☆	CW
●	RD
●	CH
●	IF
●	TWR
●	WR
●	XS
●	GD
●	RTK
●	RTKP
●	VTK
●	TKD

Computer Keyboard Drawer Cabinet



- 21" Deep
- KBD27
- 24" Deep
- KBD2724

- Pull-out keyboard tray
- Tilt down drawer front
- Adjustable wrist rest
- Unit is designed for use between two base, desk or tall cabinets
- When mounted at 29" height with a 1 1/2" countertop, unit provides a comfortable writing surface
- If unit is installed at an angle, fillers should be used to avoid interference with adjacent cabinet
- One end of KBD can be supported by optional desk end panel DEP
- Slab drawer front in all door styles; DRPD *not* available
- Keyboard tray mechanism shipped separately
- **Not** trimmable

●	PE
●	APC
●	APFC
●	FPEB
●	MI
●	OE
●	CW
●	RD
●	CH
●	IF
●	TWR
●	WR
●	XS
●	GD
●	RTK
●	RTKP
●	VTK
●	TKD

Tall File Cabinet 24" Deep

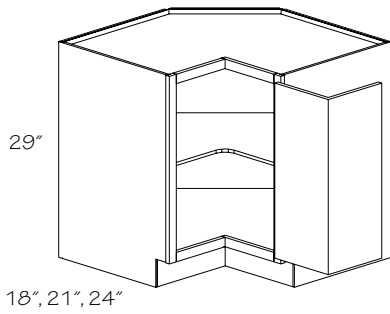


TFD182458

- Three file drawers
- Designed to accept standard hanging file system - hanging system *not* included
- Hanging file folders *not* included
- ☆ Minimum Reduced Depth (RD) is 18"
- **Note:** This cabinet is constructed with a standard ceiling panel; a finished top is recommended

●	PE
●	APC
●	APFC
●	FPEB
●	MI
●	OE
●	CW
☆	RD
●	CH
●	IF
●	TWR
●	WR
●	XS
●	GD
●	RTK
●	RTKP
●	VTK
●	TKD

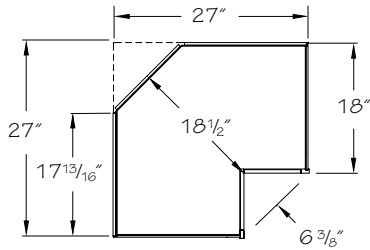
Desk Easy Reach



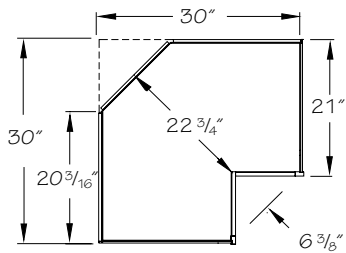
DEZR2718 R or L
DEZR3021 R or L
DEZR3324 R or L

- Specify R or L for single door hinging
- One adjustable shelf
- Doors are profiled on one long and two short edges and are connected with hinges
- Angled back provides clearance for installation
- Wood-Grain Foil door styles will be supplied as vertical grain slabs
- Vega doors will have a solid, recessed flat panel. Caparo doors will have a veneer, recessed flat panel
- Contrasting Back Options (CBEB, CPLB, CVGR) **not** available
- **Note:** Does **not** include Soft-Close feature

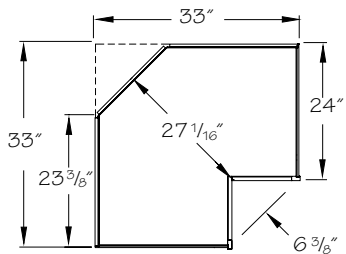
●	PE
●	APC
●	APFC
●	FPEB
●	MI
●	OE
●	CW
●	RD
●	CH
●	IF
●	TWR
●	WR
●	XS
●	GD
●	RTK
●	RTKP
●	VTK
●	TKD



DEZR2718



DEZR3021



DEZR3324

Office Accessories

Construction Options and Modifications

PE	Plywood Ends
APC	All Plywood Construction
APFC	All Plywood Furniture Construction
FPEB	Furniture Plywood Ends
CW	Change Width
RD	Reduced Depth
CH	Change Height
WR	Wide Bottom Rail
RTK	Recessed Toe Kick
RTKP	Recessed Toe Kick Peninsula
VTK	Void Toe Kick

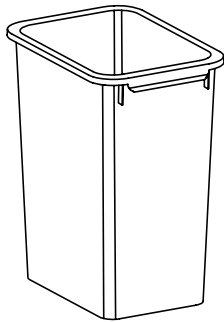
RDFC	3	27
code	width	depth

- ❖ Included as standard
- Available with an upcharge
- ☆ Available with exceptions
- (Blank) **Not** available

Material dimensions listed may vary slightly from actual dimensions of the product.

Specifications subject to change without notice

Replacement Wastebasket

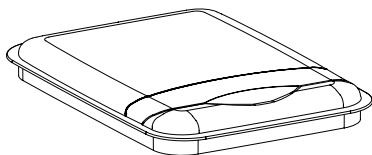


RCWB35 35 qt.
RCWB50 50 qt.

- Grey basket(s)
- Field installation only
- Optional Wastebasket Lid (WBL) available for 35 and 50 qt. wastebaskets

PE
APC
APFC
FPEB
CW
RD
CH
WR
RTK
RTKP
VTK

Wastebasket Lid

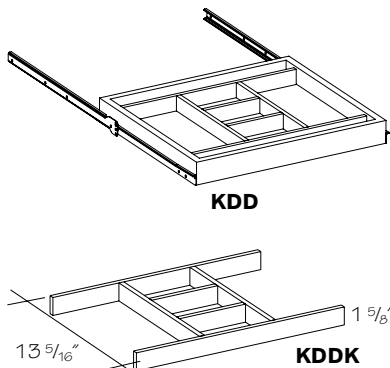


Fits 35 qt. Wastebasket
WBL35.G Grey
Fits 50 qt. Wastebasket
WBL50.G Grey

- Lid flips open manually
- Lid holds can liner in place

PE
APC
APFC
FPEB
CW
RD
CH
WR
RTK
RTKP
VTK

Knee Drawer Divider or Kit



Installed
* **KDD18**
KDD21
KDD24
KDD27
KDD30

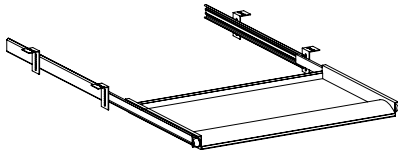
Kit *Section width*
* **KDDK18** 3 7/8"
KDDK21 4 7/8"
KDDK24 5 7/8"
KDDK27 6 7/8"
KDDK30 7 7/8"

* For one side of DKD36•2D

- Fits DKD drawers only
- 1/2" thick solid wood dividers are 1 1/2" high
- Each long section is approximately 12 1/2" deep
- All units are 13 5/16" deep
- Order Example: Installation in both drawers of DKD36•2D use DKD36•2D-KDD18-KDD18

PE
APC
APFC
FPEB
CW
RD
CH
WR
RTK
RTKP
VTK

Computer Keyboard Drawer Kit

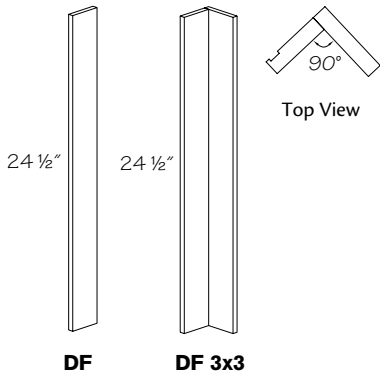


KBDK

- Store under work surface when *not* in use
- Minimum 24" clear width and 21" clear depth required for installation
- Adjustable wrist rest
- If unit is installed at an angle, fillers should be used to avoid interference with adjacent cabinet
- Field installation only

PE
APC
APFC
FPEB
CW
RD
CH
WR
RTK
RTKP
VTK

Desk Filler

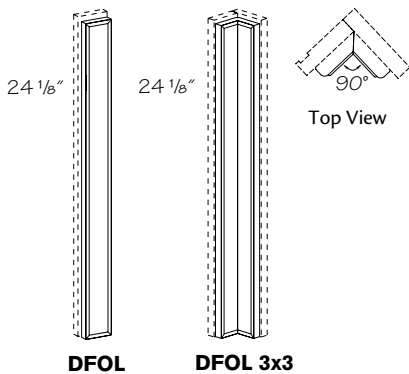


**DF3
DF6
DF3X3**

- 3/4" thick solid wood
- Finished one side only
- Crafted or Quartersawn door styles will be supplied in plain sawn wood
- No toe kick
- Painted or Stained hardwood supplied for Wood-Grain Foil door styles

PE
APC
APFC
FPEB
CW
RD
CH
WR
RTK
RTKP
VTK

Desk Filler Overlay



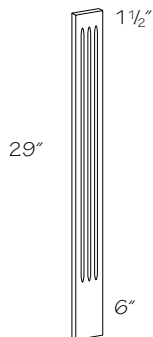
**DFOL3
DFOL6
▲ DFOL3X3**

- ▲ Shipped as two pieces in Thermofoil and Wood-Grain Foil door styles. **Must** be field trimmed and mitered

- Available in full overlay door styles only
- Available in High-Gloss Foils finish except in 3X3 models
- Filler overlay has routed door profile and is made from the same material as doors and drawer fronts
- Filler ordered separately

PE
APC
APFC
FPEB
CW
RD
CH
WR
RTK
RTKP
VTK

Desk Fluted Filler

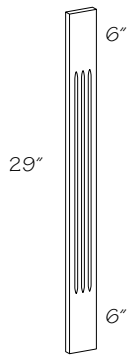


**DFF3
DFF6**

- 3/4" thick solid wood
- Painted hardwood supplied for EverCore™ and Thermofoil
- Painted or Stained hardwood supplied for Wood-Grain Foil door styles
- Quartersawn door styles are supplied plain sawn

PE
APC
APFC
FPEB
CW
RD
CH
WR
RTK
RTKP
VTK

Plain Capital Desk Fluted Filler

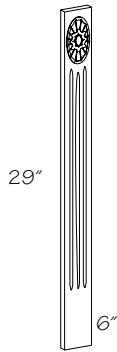


PCDFF3
PCDFF6

- 3/4" thick solid wood
- Painted hardwood supplied for EverCore™ and Thermofoil
- Painted or Stained hardwood supplied for Wood-Grain Foil door styles
- Quartersawn door styles are supplied plain sawn

PE
APC
APFC
FPEB
CW
RD
CH
WR
RTK
RTKP
VTK

Rosette Desk Fluted Filler

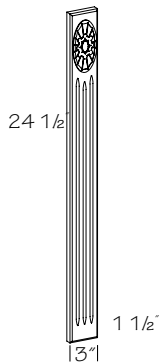


RDF3

- 3/4" thick solid wood
- Applied decorative rosette
- Quartersawn door styles are supplied plain sawn
- **Not** available in Rustic Alder door styles
- **Not** available in Wood-Grain Foil door styles
- Painted hardwood supplied for EverCore™ and Thermofoil

PE
APC
APFC
FPEB
CW
RD
CH
WR
RTK
RTKP
VTK

Rosette Desk Fluted Filler Overlay

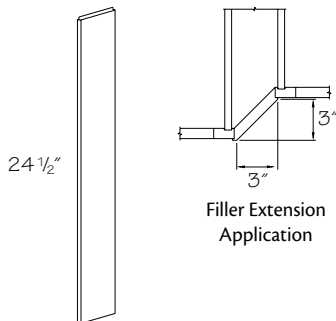


RFDFOL3

- 3/4" thick solid wood
- Applied decorative rosette
- Quartersawn door styles are supplied plain sawn
- **Not** available in Rustic Alder door styles
- **Not** available in Wood-Grain Foil door styles
- Painted hardwood supplied for EverCore™ and Thermofoil

PE
APC
APFC
FPEB
CW
RD
CH
WR
RTK
RTKP
VTK

Filler Extension

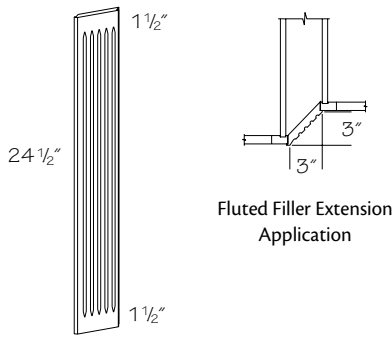


FE3.25

- 3/4" thick solid wood
- Crafted or Quartersawn door styles will be supplied in plain sawn wood
- Painted hardwood supplied for EverCore™ and Thermofoil
- Painted or Stained hardwood supplied for Wood-Grain Foil door styles

PE
APC
APFC
FPEB
CW
RD
CH
WR
RTK
RTKP
VTK

Fluted Filler Extension



Fluted Filler Extension

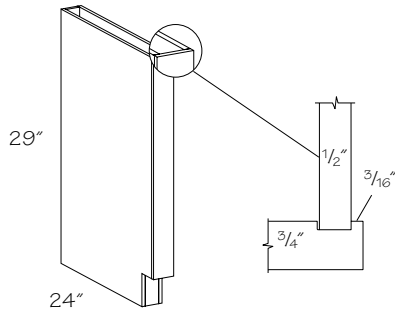
FFE3.25

Fluted Filler Extension Application

- 3/4" thick solid wood
- Painted hardwood supplied for EverCore™ and Thermofoil
- Painted or Stained hardwood supplied for Wood-Grain Foil door styles
- Quartersawn door styles are supplied plain sawn

PE
APC
APFC
FPEB
CW
RD
CH
WR
RTK
RTKP
VTK

Desk Box

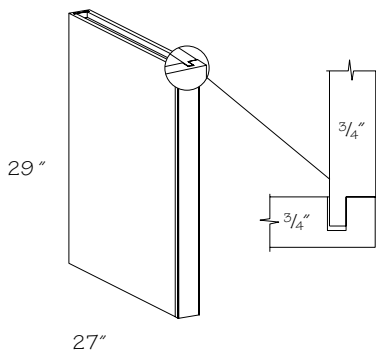


DB3

- Finished front and both sides
- Crafted or Quartersawn door styles will be supplied in plain sawn wood
- Painted hardwood supplied for EverCore™
- Painted or Stained hardwood supplied for Wood-Grain Foil door styles
- Reversible, may be used on either right or left end
- ☆ Only available with Recessed Toe Kick Peninsula Back (RTKP); **cannot** accommodate Recessed Toe Kick for sides (RTKPB, RTKPL, RTKPR)

● PE
● APC
● APFC
● FPEB
● CW
● RD
● CH
● WR
● RTK
☆ RTKP
● VTK

Desk Column



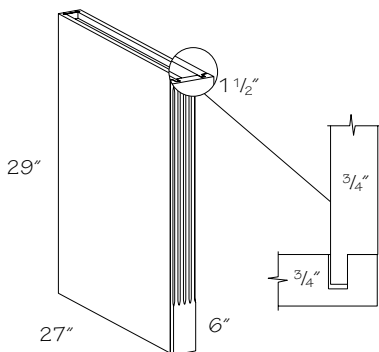
- DC327
- DC627

- Change Width (CW) option **not** available

- Front is 3/4" solid wood
- Quartersawn Oak door styles have 3/4" solid quartersawn wood front and quartersawn wood veneer end panels
- Plain sawn material supplied for Bristow Crafted door styles
- Painted hardwood supplied for EverCore™
- Foil-wrapped MDF supplied for Wood-Grain Foil door styles on face frame only
- Finished front and both sides
- Reversible, may be used on either right or left end
- ☆ APFC standard when APC option is selected

PE
● APC
☆ APFC
❖ FPEB
☆ CW
● RD
● CH
❖ WR
RTK
RTKP
VTK

Desk Fluted Column

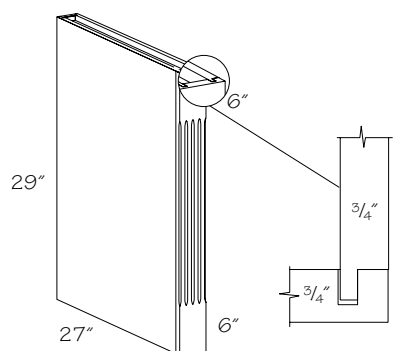


DFC327

- Fluted front is 3/4" solid wood; plain sawn wood supplied for quartersawn door styles
- Finished front and both sides
- Quartersawn Oak door styles have quartersawn wood veneer end panels
- Plain sawn material supplied for Bristow Crafted door styles
- Reversible, may be used on either right or left end
- Painted hardwood supplied for EverCore™
- Painted or Stained hardwood supplied for Wood-Grain Foil door styles
- ☆ APFC standard when APC option is selected

PE
● APC
☆ APFC
❖ FPEB
● CW
● RD
● CH
❖ WR
RTK
RTKP
VTK

Plain Capital Desk Fluted Column

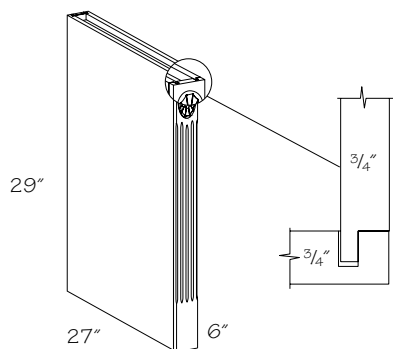


PCDFC327

- Fluted front is 3/4" solid wood; plain sawn wood supplied for quartersawn door styles
 - Finished front and both sides
 - Quartersawn Oak door styles have quartersawn wood veneer end panels
 - Plain sawn material supplied for Bristow Crafted door styles
 - Painted hardwood supplied for EverCore™
 - Painted or Stained hardwood supplied for Wood-Grain Foil door styles
 - Reversible, may be used on either right or left end
- ☆ APFC standard when APC option is selected

PE
● APC
☆ APFC
❖ FPFB
CW
● RD
● CH
❖ WR
RTK
RTKP
VTK

Rosette Desk Fluted Column

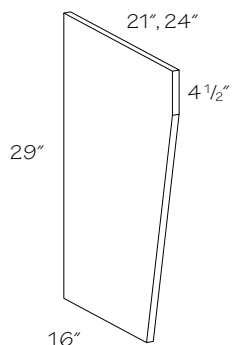


RDFC327

- Fluted front is 3/4" solid wood; plain sawn wood supplied for quartersawn door styles
 - Applied decorative rosette
 - Quartersawn Oak door styles have quartersawn wood veneer end panels
 - Plain sawn material supplied for Bristow Crafted door styles
 - Finished front and both sides
 - Reversible, may be used on either right or left end
 - Painted hardwood supplied for EverCore™ and Thermofoil
 - **Not** available in Rustic Alder door styles
 - **Not** available in Wood-Grain Foil door styles
- ☆ APFC standard when APC option is selected

PE
● APC
☆ APFC
❖ FPFB
CW
● RD
● CH
❖ WR
RTK
RTKP
VTK

Desk End Panel



Printed Woodgrain Laminate

VDEP2129

VDEP2429

Wood Veneer

※ **WDEP2129**

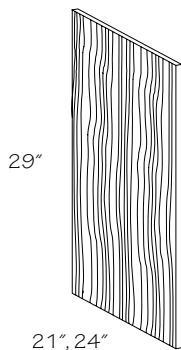
※ **WDEP2429**

※ Painted hardwood supplied for EverCore™ and Thermofoil

- Printed wood grain laminate panel is 3/4" thick
 - Wood veneer panel is 13/16" thick
 - Unit designed to support one end of Desk Knee Drawer (DKD)
 - Finished front and both sides
 - Painted or Stained hardwood supplied for Wood-Grain Foil door styles
 - Quartersawn door styles are supplied plain sawn
- ☆ APC panel only available in wood veneer
☆ APC panel is 11/16" thick

PE
☆ APC
APFC
FPFB
CW
RD
CH
WR
RTK
RTKP
VTK

Square Desk End Panel



Printed Woodgrain Laminate Width x Height x Thickness

■ **VDEP21 .S** 21 x 29 x 3/4"

■ **VDEP24 .S** 24 x 29 x 3/4"

Wood Veneer

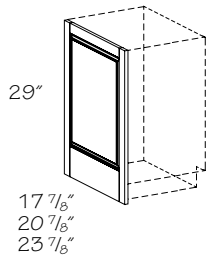
※ **WDEP21 .S** 21 x 29 x 13/16"

※ **WDEP24 .S** 24 x 29 x 13/16"

■ Quartersawn door styles are supplied plain sawn
※ Painted hardwood supplied for EverCore™ and Thermofoil

- Quartersawn door styles are quartersawn wood veneer
- Edgebanded one long edge
- Finished to match exterior both sides
- Painted or Stained hardwood supplied for Wood-Grain Foil door styles
- ☆ APC panel only available in wood veneer
- ☆ APC panel is 11/16" thick

PE
☆ APC
APFC
FPFB
CW
RD
CH
WR
RTK
RTKP
VTK



Matching Desk End Panel

MDEP18 R or L
MDEP21 R or L
MDEP24 R or L



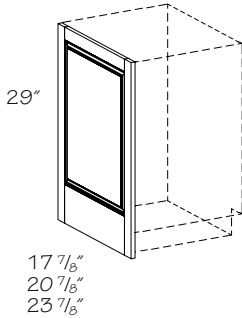
When designing with Matching End Panels the reveal will differ from the cabinet door height reveal. Matching End Panels cover the entire side of the cabinet. See drawing for exact measurements

Standard edge detail—fits flush against 1/2" end panel and behind face frame

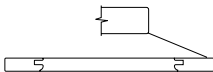
- Specify R or L
- 3/4" thick panel with matching door edge profile on front edge only
- Inside of matching panel bottom rail will line up with inside bottom rail of door
- Left shown
- Field installation only
- Foil and slab door styles do **not** have grooves and will **not** fit flush against 1/2" end panel. A 3/16" shim is recommended
- Quartersawn door styles are supplied plain sawn
- Epic and Foil door styles do **not** have grooves and will **not** fit flush against 1/2" end panel. A 3/16" shim is recommended
- **Not** available in High-Gloss Foil door styles
- ☆ Wide Bottom Rail—field notch for toe kick

PE
APC
APFC
FPEB
● CW
RD
● CH
☆ WR
RTK
RTKP
VTK

Matching Desk End Panel—Square Edges



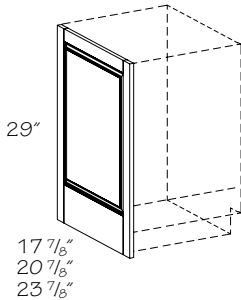
MDEP18 S
MDEP21 S
MDEP24 S



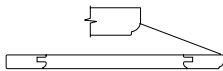
- 3/4" thick panel with square edge front and back
- Inside of matching panel bottom rail will line up with inside bottom rail of door
- Field installation only
- Reversible, may be used on either right or left end
- **Not** available in High-Gloss Foil, Thermofoil or Wood-Grain Foil door styles
- **Not** available in mitered door styles; use End Panel—Mitered
- Quartersawn door styles are supplied plain sawn
- ☆ Wide Bottom Rail—field notch for toe kick

PE
APC
APFC
FPEB
● CW
RD
● CH
☆ WR
RTK
RTKP
VTK

Furniture Matching Desk End Panel



FMDEP18 R or L
FMDEP21 R or L
FMDEP24 R or L

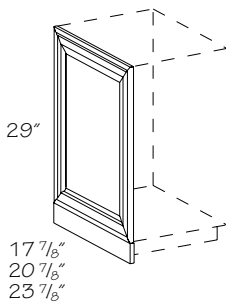


Will not fit flush against 1/2" end panel, a 3/16" shim is recommended

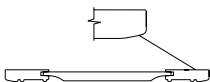
- Specify R or L
- 3/4" thick panel with matching door edge profile on front edge only
- Inside of matching panel bottom rail will line up with inside bottom rail of door
- Left shown
- Field installation only
- For use with Furniture Plywood Ends (FPEB)—flush ends
- **Not** available in mitered door styles; use End Panel—Mitered
- **Not** available in High-Gloss Foil or Wood-Grain Foil door styles
- Quartersawn door styles are supplied plain sawn
- ☆ Wide Bottom Rail—field notch for toe kick

PE
APC
APFC
FPEB
● CW
RD
● CH
☆ WR
RTK
RTKP
VTK

Matching Desk End Panel—Mitered



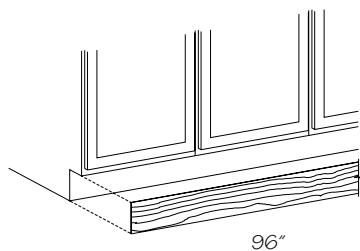
M.MDEP18
M.MDEP21
M.MDEP24



Will not fit flush against 1/2" end panel, a 3/16" shim is recommended

- 3/4" thick panel with matching door edge profile on four sides
- Inside of matching panel bottom rail will line up with inside bottom rail of door
- Reversible, may be used on either right or left end
- Available in mitered and Carlin door styles only
- Field installation only
- Toe kick shipped unattached
- ☆ Wide Bottom Rail—field notch for toe kick

PE
APC
APFC
FPEB
● CW
RD
● CH
☆ WR
RTK
RTKP
VTK



Toe Kick

Black

- † **BLTK8** 1/8" thick hardboard, 4 1/2" high

Printed Woodgrain Laminate

- **MTK8** 1/8" thick hardboard, 4 1/2" high, laminated with matching Printed Woodgrain Laminate

Laminate

- **MTK8** 1/8" thick hardboard, 4 1/2" high, laminated with matching printed wood grain laminate

Aluminum finish

- **MTK8 .A** 1/16" thick flexible laminate, 4 1/2" high

Stainless finish

- **MTK8 .S** 1/16" thick flexible laminate, 4 1/2" high

Wood Veneer

- †▲ **WMTK8** 3/16" thick wood veneer, 4 1/2" high, to match

- † Painted hardwood supplied for EverCore™
- Quartersawn door styles are supplied plain sawn
- † Quartersawn door styles are quartersawn wood veneer
- ▲ Painted or Stained hardwood supplied for Wood-Grain Foil door styles

- Edges are unfinished
- Field installation only
- **Note:** Matching toe kick is **not** automatically supplied with cabinets. It **must** be ordered as a separate item



Apply Shoe Molding (SHO8) at the base of Matching Toe Kicks or Wood Matching Toe Kicks (MTK8 or WMTK8) for a nice, finished look.

PE
APC
APFC
FPEB
CW
RD
CH
WR
RTK
RTKP
VTK

Bookshelves

Construction Options and Modifications

FW	18	12	48
code	width	depth	height

- ❖ Included as standard
- Available with an upcharge
- ☆ Available with exceptions
- (Blank) **Not** available

- PE Plywood Ends
- APC All Plywood Construction
- APFC All Plywood Furniture Construction
- FPEB Furniture Plywood Ends
- MI Matching Interior
- DE Integrated Decorative End
- CW Change Width
- RD Reduced Depth
- CH Change Height
- WR Wide Bottom Rail
- XS Extended Stile
- GD Glass Doors
- RTK Recessed Toe Kick
- VTK Void Toe Kick
- TKD Toe Kick Drawer

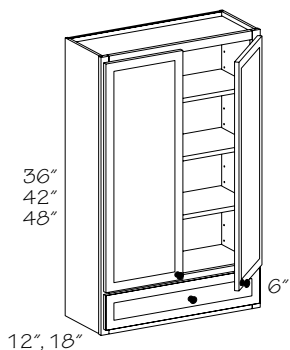
Note: Standard furniture cabinet box depth is 12", 18", 21" or 24", unless stated otherwise. Add door thickness and bumper for total depth.

Note: Unless noted, all Furniture Cabinets are manufactured in 3/4" Furniture Plywood Ends with matching wood veneer or Wood grain laminate interiors. Due to toe kicks shipping separately on 96" high units, 96" furniture cabinets will be manufactured with 1/2" plywood end panels so the ends can be skinned to hide the seam. Skins **must** be ordered separately.

Material dimensions listed may vary slightly from actual dimensions of the product.

Specifications subject to change without notice.

Furniture Wall



Single Door
48" High

FW181248 R or L
FW181848 R or L

Double Door
36" High

FW271236 (Butt)
FW271836 (Butt)

Double Door
42" High

FW271242 (Butt)
FW271842 (Butt)

Double Door
48" High

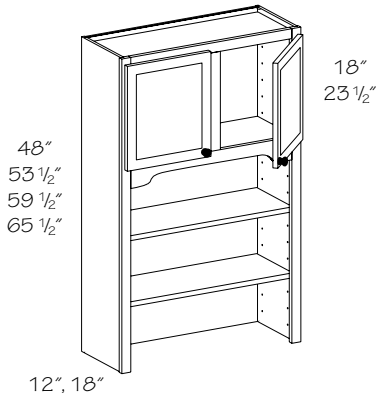
- **FW241248 BUTT**
- **FW271248 (Butt)**
- **FW241848 BUTT**
- **FW271848 (Butt)**

○ Change Width (CW) option **not** available

- Specify R or L for single door hinging
- Adjustable shelves
- 36" high has two shelves, 42" and 48" have three shelves
- Quartersawn Oak door styles have quartersawn wood veneer end panels
- Plain sawn material supplied for Bristow Crafted door styles
- ☆ APFC standard when APC option is selected
- ☆ Drawer becomes false front when cabinet depth is reduced to less than 12"
- Shelves shipped separately

PE
● APC
☆ APFC
❖ FPEB
❖ MI
DE
☆ CW
☆ RD
● CH
WR
● XS
● GD
RTK
VTK
TKD

Furniture Wall Top



Two shelves
48" High
12" Deep

- FWT181248 R or L**
- FWT211248 R or L**
- FWT241248 BUTT**
- FWT271248 (Butt)**
- FWT301248**
- FWT331248**
- FWT361248**

Two shelves
48" High
18" Deep

- FWT181848 R or L**
- FWT211848 R or L**
- FWT241848 BUTT**
- FWT271848 (Butt)**
- FWT301848**
- FWT331848**
- FWT361848**

Two shelves
53 1/2" High
12" Deep

- FWT181254 R or L**
- FWT211254 R or L**
- FWT241254 BUTT**
- FWT271254 (Butt)**
- FWT301254**
- FWT331254**
- FWT361254**

Two shelves
53 1/2" High
18" Deep

- FWT181854 R or L**
- FWT211854 R or L**
- FWT241854 BUTT**
- FWT271854 (Butt)**
- FWT301854**
- FWT331854**
- FWT361854**

Three shelves
59 1/2" High
12" Deep

- FWT181260 R or L**
- FWT211260 R or L**
- FWT241260 BUTT**
- FWT271260 (Butt)**
- FWT301260**
- FWT331260**
- FWT361260**

Three shelves
59 1/2" High
18" Deep

- FWT181860 R or L**
- FWT211860 R or L**
- FWT241860 BUTT**
- FWT271860 (Butt)**
- FWT301860**
- FWT331860**
- FWT361860**

Three shelves
65 1/2" High
12" Deep

- FWT181266 R or L**
- FWT211266 R or L**
- FWT241266 BUTT**
- FWT271266 (Butt)**
- FWT301266**
- FWT331266**
- FWT361266**

Three shelves
65 1/2" High
18" Deep

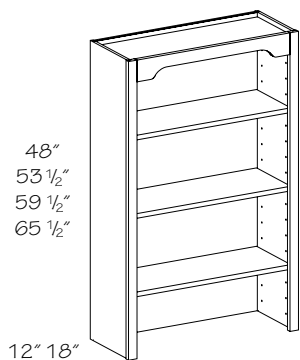
- FWT181866 R or L**
- FWT211866 R or L**
- FWT241866 BUTT**
- FWT271866 (Butt)**
- FWT301866**
- FWT331866**
- FWT361866**

- Change Width (CW) option **not** available
- Change Height (CH) option **not** available

- Specify R or L for single door hinging
- Adjustable shelves
- 65 1/2" high includes one adjustable shelf in upper section
- Quartersawn door styles are supplied plain sawn
- ☆ APFC standard when APC option is selected
- See Construction Options section for Valance options
- Shelves shipped separately

PE
● APC
☆ APFC
❖ FPFB
❖ MI
DE
☆ CW
● RD
☆ CH
WR
● XS
● GD
RTK
VTK
TKD

Furniture Book Shelf-Top



*Three Shelves
48\" High
12\" Deep*

- **FBS181248**
- FBS211248**
- FBS241248**
- FBS271248**
- FBS301248**
- FBS331248**
- FBS361248**

*Three Shelves
48\" High
18\" Deep*

- **FBS181848**
- FBS211848**
- FBS241848**
- FBS271848**
- FBS301848**
- FBS331848**
- FBS361848**

*Three Shelves
53 1/2\" High
12\" Deep*

- **FBS181254**
- FBS211254**
- FBS241254**
- FBS271254**
- FBS301254**
- FBS331254**
- FBS361254**

*Three Shelves
53 1/2\" High
18\" Deep*

- **FBS181854**
- FBS211854**
- FBS241854**
- FBS271854**
- FBS301854**
- FBS331854**
- FBS361854**

*Four Shelves
59 1/2\" High
12\" Deep*

- **FBS181260**
- FBS211260**
- FBS241260**
- FBS271260**
- FBS301260**
- FBS331260**
- FBS361260**

*Four Shelves
59 1/2\" High
18\" Deep*

- **FBS181860**
- FBS211860**
- FBS241860**
- FBS271860**
- FBS301860**
- FBS331860**
- FBS361860**

*Four Shelves
65 1/2\" High
12\" Deep*

- **FBS181266**
- FBS211266**
- FBS241266**
- FBS271266**
- FBS301266**
- FBS331266**
- FBS361266**

*Four Shelves
65 1/2\" High
18\" Deep*

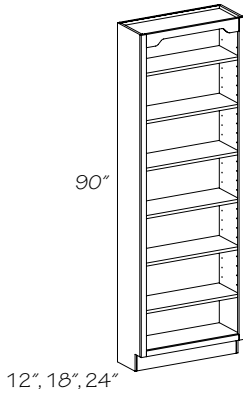
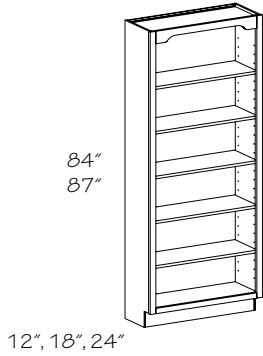
- **FBS181866**
- FBS211866**
- FBS241866**
- FBS271866**
- FBS301866**
- FBS331866**
- FBS361866**

○ Change Width (CW) option *not* available

- Adjustable shelves
- Quartersawn door styles are supplied plain sawn
- Painted hardwood supplied for EverCore™
- Painted or Stained hardwood supplied for Wood-Grain Foil door styles
- ☆ APFC standard when APC option is selected
- See Construction Options section for Valance options
- Shelves shipped separately

PE
● APC
☆ APFC
❖ FPEB
❖ MI
● DE
● CW
● RD
● CH
● WR
● XS
GD
RTK
VTK
TKD

Furniture Book Shelf—84", 87", and 90" H



Five shelves
84" High
12" Deep

- † **FBS181284**
- † **FBS211284**
- † **FBS241284**
- † **FBS271284**
- † **FBS301284**
- † **FBS331284**
- † **FBS361284**

Five shelves
84" High
18" Deep

- **FBS181884**
- FBS211884**
- FBS241884**
- FBS271884**
- FBS301884**
- FBS331884**
- FBS361884**

Five shelves
84" High
24" Deep

- **FBS182484**
- FBS212484**
- FBS242484**
- FBS272484**
- FBS302484**
- FBS332484**
- FBS362484**

Five shelves
87" High
12" Deep

- † **FBS181287**
- † **FBS211287**
- † **FBS241287**
- † **FBS271287**
- † **FBS301287**
- † **FBS331287**
- † **FBS361287**

Five shelves
87" High
18" Deep

- **FBS181887**
- FBS211887**
- FBS241887**
- FBS271887**
- FBS301887**
- FBS331887**
- FBS361887**

Five shelves
87" High
24" Deep

- **FBS182487**
- FBS212487**
- FBS242487**
- FBS272487**
- FBS302487**
- FBS332487**
- FBS362487**

Six Shelves
90" High
12" Deep

- † **FBS181290**
- † **FBS211290**
- † **FBS241290**
- † **FBS271290**
- † **FBS301290**
- † **FBS331290**
- † **FBS361290**

Six Shelves
90" High
18" Deep

- **FBS181890**
- FBS211890**
- FBS241890**
- FBS271890**
- FBS301890**
- FBS331890**
- FBS361890**

Six Shelves
90" High
24" Deep

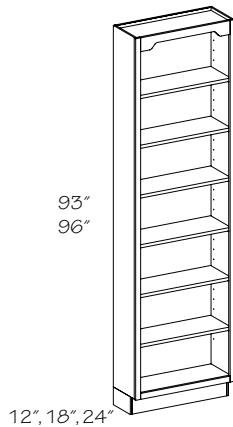
- **FBS182490**
- FBS212490**
- FBS242490**
- FBS272490**
- FBS302490**
- FBS332490**
- FBS362490**

- Adjustable shelves
- Painted hardwood supplied for EverCore™
- Painted or Stained hardwood supplied for Wood-Grain Foil door styles
- Quartersawn door styles are supplied plain sawn
- ☆ APFC standard when APC option is selected
- See Construction Options section for Valance options
- Shelves shipped separately

PE
● APC
☆ APFC
❖ FPFB
❖ MI
● DE
☆ CW
● RD
● CH
● WR
● XS
GD
● RTK
● VTK
☆ TKD

- Change Width (CW) option *not* available
- † Toe Kick Drawer (TKD) option *not* available

Furniture Book Shelf—93" and 96" H



93" High
12" Deep

- **FBS181293**
- FBS211293**
- FBS241293**
- FBS271293**
- FBS301293**
- FBS331293**
- FBS361293**

93" High
18" Deep

- **FBS181893**
- FBS211893**
- FBS241893**
- FBS271893**
- FBS301893**
- FBS331893**
- FBS361893**

93" High
24" Deep

- **FBS182493**
- FBS212493**
- FBS242493**
- FBS272493**
- FBS302493**
- FBS332493**
- FBS362493**

96" High
12" Deep

- **FBS181296**
- FBS211296**
- FBS241296**
- FBS271296**
- FBS301296**
- FBS331296**
- FBS361296**

96" High
18" Deep

- **FBS181896**
- FBS211896**
- FBS241896**
- FBS271896**
- FBS301896**
- FBS331896**
- FBS361896**

96" High
24" Deep

- **FBS182496**
- FBS212496**
- FBS242496**
- FBS272496**
- FBS302496**
- FBS332496**
- FBS362496**

- 1/2" plywood ends with matching interiors
- Includes six adjustable shelves
- Quartersawn door styles are supplied plain sawn
- Painted hardwood supplied for EverCore™
- Painted or Stained hardwood supplied for Wood-Grain Foil door styles
- See Construction Options section for Valance options
- Shelves shipped separately
- Toe kick shipped unattached

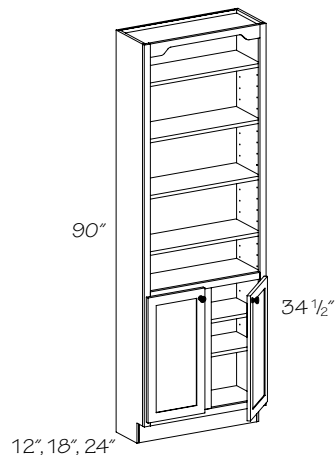
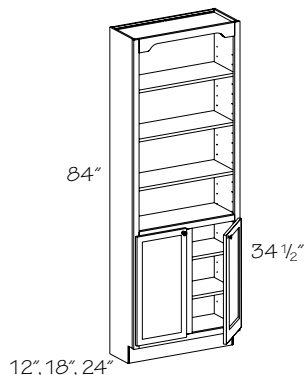


Remember to order a 3/16" skin (WSK) for the exposed ends of 93" & 96" high furniture cabinets to conceal the seam between the loose toe kick and the cabinet.

❖ PE
● APC
☆ APFC
FPFB
❖ MI
● DE
☆ CW
● RD
● CH
WR
● XS
GD
RTK
VTK
TKD

- Change Width (CW) option *not* available

Furniture Base 84" and 90" H



- 84" High
12" Deep*
- † **FB181284 R or L**
 - † **FB211284 R or L**
 - † **FB241284 R or L**
 - † **FB241284 BUTT**
 - † **FB271284 (Butt)**
 - † **FB301284**
 - † **FB331284**
 - † **FB361284**

- 90" High
12" Deep*
- † **FB181290 R or L**
 - † **FB211290 R or L**
 - † **FB241290 R or L**
 - † **FB241290 BUTT**
 - † **FB271290 (Butt)**
 - † **FB301290**
 - † **FB331290**
 - † **FB361290**

- 84" High
18" Deep*
- **FB181884 R or L**
 - **FB211884 R or L**
 - **FB241884 R or L**
 - **FB241884 BUTT**
 - **FB271884 (Butt)**
 - **FB301884**
 - **FB331884**
 - **FB361884**

- 90" High
18" Deep*
- **FB181890 R or L**
 - **FB211890 R or L**
 - **FB241890 R or L**
 - **FB241890 BUTT**
 - **FB271890 (Butt)**
 - **FB301890**
 - **FB331890**
 - **FB361890**

- 84" High
24" Deep*
- **FB182484 R or L**
 - **FB212484 R or L**
 - **FB242484 R or L**
 - **FB242484 BUTT**
 - **FB272484 (Butt)**
 - **FB302484**
 - **FB332484**
 - **FB362484**

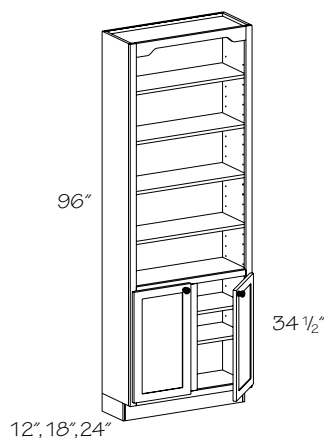
- 90" High
24" Deep*
- **FB182490 R or L**
 - **FB212490 R or L**
 - **FB242490 R or L**
 - **FB242490 BUTT**
 - **FB272490 (Butt)**
 - **FB302490**
 - **FB332490**
 - **FB362490**

○ Change Width (CW) option *not* available
 † Toe Kick Drawer (TKD) option *not* available

- Specify R or L for single door hinging
- Includes adjustable shelves in open section; three shelves in 84" H and four shelves in 90" H cabinets
- Two adjustable shelves in lower base section
- Quartersawn door styles are supplied plain sawn
- See Construction Options section for Valance options
- ☆ APFC standard when APC option is selected
- Shelves shipped separately

PE
● APC
☆ APFC
❖ FPEB
❖ MI
DE
☆ CW
● RD
● CH
● WR
● XS
● GD
● RTK
● VTK
☆ TKD

Furniture Base 96" H



- 12" Deep*
- **FB181296 R or L**
 - **FB211296 R or L**
 - **FB241296 R or L**
 - **FB241296 BUTT**
 - **FB271296 (Butt)**
 - **FB301296**
 - **FB331296**
 - **FB361296**

- 24" Deep*
- **FB182496 R or L**
 - **FB212496 R or L**
 - **FB242496 R or L**
 - **FB242496 BUTT**
 - **FB272496 (Butt)**
 - **FB302496**
 - **FB332496**
 - **FB362496**

- 18" Deep*
- **FB181896 R or L**
 - **FB211896 R or L**
 - **FB241896 R or L**
 - **FB241896 BUTT**
 - **FB271896 (Butt)**
 - **FB301896**
 - **FB331896**
 - **FB361896**

○ Change Width (CW) option *not* available

- Specify R or L for single door hinging
- 1/2" plywood ends with matching interiors
- Includes four adjustable shelves in open section
- Two adjustable shelves in lower base section
- Quartersawn door styles are supplied plain sawn
- See Construction Options section for Valance options
- Shelves shipped separately
- Toe kick shipped unattached



Remember to order a 3/16" skin (WSK) for the exposed ends of 93" & 96" high furniture cabinets to conceal the seam between the loose toe kick and the cabinet.

❖ PE
● APC
APFC
FPEB
❖ MI
DE
☆ CW
● RD
● CH
WR
● XS
● GD
RTK
VTK
TKD

Wood Tops

Construction Options and Modifications

APC All Plywood Construction

CWT	22	96
code	depth	width

- ❖ Included as standard
- Available with an upcharge
- ☆ Available with exceptions
- (Blank) **Not** available

Wood tops are constructed of 5/8" engineered wood with wood veneer on one side. Front is finished with 3/4" or 49/64" thick by 1 9/16" high solid wood edge molding.

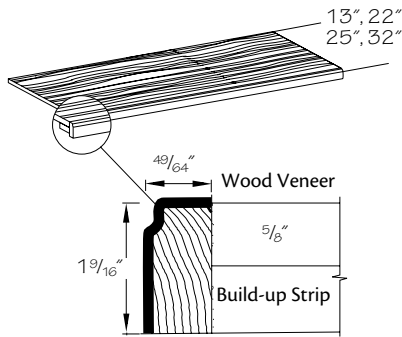
Note: Only one (1) top will be manufactured per 48" or 96" blank.

Material dimensions listed may vary slightly from actual dimensions of the product.

Specifications subject to change without notice.

Traditional Wood Tops

● APC



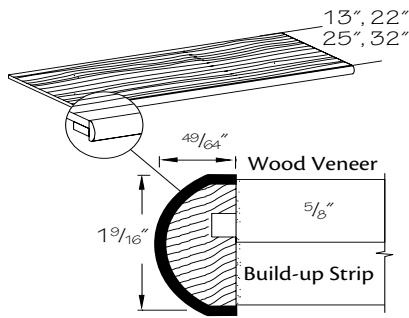
- 48" Wide
- TWT1348**
 - TWT2248**
 - TWT2548**
 - TWT3248**
- 96" Wide
- TWT1396**
 - TWT2296**
 - TWT2596**
 - TWT3296**

- Peninsula
48" Wide
- PTWT1348**
 - PTWT2248**
 - PTWT2548**
 - PTWT3248**
- Peninsula
96" Wide
- PTWT1396**
 - PTWT2296**
 - PTWT2596**
 - PTWT3296**

- Finished dimensions and finished edges **must** be specified. Finished dimensions are available in 1/16" increments only
- Tops will be supplied for straight applications only including peninsula and islands with up to four finished edges
- Wood tops are built to size
- Quartersawn door styles are supplied plain sawn
- Painted hardwood supplied for EverCore™ and Thermofoil
- Painted or Stained hardwood supplied for Wood-Grain Foil door styles
- **Not** available in Rustic Alder door styles
- **Note:** Heavy lines indicate finished edges

Contemporary Wood Tops

● APC



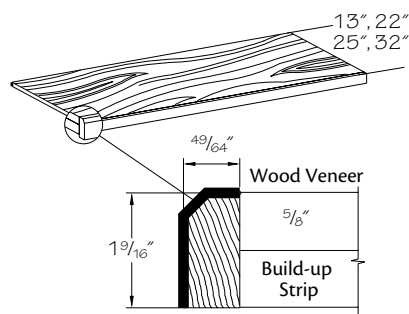
- 48" Wide
- CWT1348**
 - CWT2248**
 - CWT2548**
 - CWT3248**
- 96" Wide
- CWT1396**
 - CWT2296**
 - CWT2596**
 - CWT3296**

- Peninsula
48" Wide
- PCWT1348**
 - PCWT2248**
 - PCWT2548**
 - PCWT3248**
- Peninsula
96" Wide
- PCWT1396**
 - PCWT2296**
 - PCWT2596**
 - PCWT3296**

- Finished dimensions and finished edges **must** be specified. Finished dimensions are available in 1/16" increments only
- Tops will be supplied for straight applications only including peninsula and islands with up to four finished edges
- Wood tops are built to size
- Painted hardwood supplied for EverCore™ and Thermofoil
- Painted or Stained hardwood supplied for Wood-Grain Foil door styles
- Quartersawn door styles are supplied plain sawn
- **Not** available in Rustic Alder door styles
- **Note:** Heavy lines indicate finished edges

Angled Wood Tops

● APC



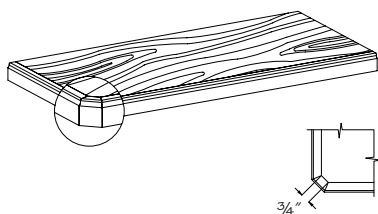
- 48" Wide
- AWT1348**
 - AWT2248**
 - AWT2548**
 - AWT3248**
- 96" Wide
- AWT1396**
 - AWT2296**
 - AWT2596**
 - AWT3296**

- Peninsula
48" Wide
- PAWT1348**
 - PAWT2248**
 - PAWT2548**
 - PAWT3248**
- Peninsula
96" Wide
- PAWT1396**
 - PAWT2296**
 - PAWT2596**
 - PAWT3296**

- Finished dimensions and finished edges **must** be specified. Finished dimensions are available in 1/16" increments only
- Tops will be supplied for straight applications only including peninsula and islands with up to four finished edges
- Wood tops are built to size
- Painted hardwood supplied for EverCore™ and Thermofoil
- Painted or Stained hardwood supplied for Wood-Grain Foil door styles
- Quartersawn door styles are supplied plain sawn
- **Note:** Heavy lines indicate finished edges

APC

Clipped Corner Wood Tops



- CCB** Clipped Corner Both
- CCL** Clipped Corner Left
- CCR** Clipped Corner Right

- 45° clipped corners
- Finished Ends supplied when Clipped Corner option is specified
- Painted hardwood supplied for EverCore™
- **Note:** Heavy lines indicate finished edges

TWT2296-CCR

PTWT2296-CCR

TWT2296-CCL

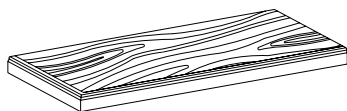
PTWT2296-CCL

TWT2296-CCB

PTWT2296-CCB

Finished End Wood Tops

APC



- FEB** Finished End Both
- FEL** Finished End Left
- FER** Finished End Right

- Edge molding is miter cut at 90° corners
- Painted hardwood supplied for EverCore™
- **Note:** Heavy lines indicate finished edges

TWT2296

PTWT2296

TWT2296-FER

PTWT2296-FER

TWT2296-FEL

PTWT2296-FEL

TWT2296-FEB

PTWT2296-FEB

Furniture Accessories

Construction Options and Modifications

PE	Plywood Ends
APC	All Plywood Construction
APFC	All Plywood Furniture Construction
FPEB	Furniture Plywood Ends
MI	Matching Interior
CW	Change Width
RD	Reduced Depth
CH	Change Height
XS	Extended Stile

WFEP	13	96
code	depth	height

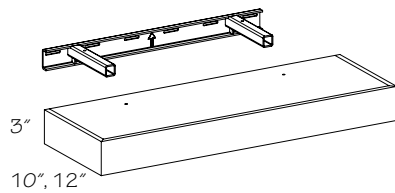
- ❖ Included as standard
- Available with an upcharge
- ☆ Available with exceptions
- (Blank) **Not** available

Note: Unless noted, all furniture cabinets are manufactured in furniture plywood ends with matching wood or Wood grain laminate interiors.

Material dimensions listed may vary slightly from actual dimensions of the product.

Specifications subject to change without notice.

Floating Shelves



10" Deep

- FLS24**
- FLS30**
- FLS36**
- FLS42**
- FLS48**
- FLS60**

Corner

- FLSC2410**

12" Deep

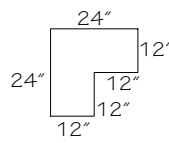
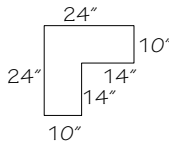
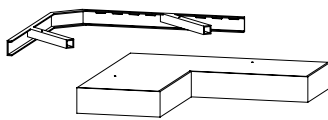
- FLS2412**
- FLS3012**
- FLS3612**
- FLS4212**
- FLS4812**
- FLS6012**

Corner

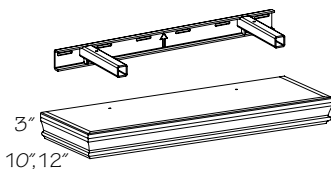
- FLSC2412**

- 50 lbs. capacity
- Painted hardwood supplied for EverCore™
- Painted or Stained hardwood supplied for Wood-Grain Foil door styles
- **Not** available with Antique, Distressed or Vintage finishes
- **Not** available in High-Gloss Foil door styles
- **Not** available in Quartersawn or Rustic door styles
- **Not** trimmable

PE
❖ APC
APFC
FPEB
MI
CW
RD
CH
XS



Floating Shelf - Cove



10" Deep

- FLS24 .C**
- FLS30 .C**
- FLS36 .C**
- FLS42 .C**
- FLS48 .C**
- FLS60 .C**

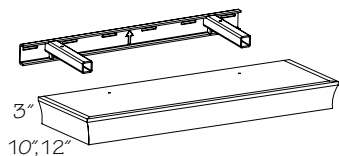
12" Deep

- FLS2412 .C**
- FLS3012 .C**
- FLS3612 .C**
- FLS4212 .C**
- FLS4812 .C**
- FLS6012 .C**

- 50 lbs. capacity
- Painted hardwood supplied for EverCore™
- Painted or Stained hardwood supplied for Wood-Grain Foil door styles
- **Not** available with Antique, Distressed or Vintage finishes
- **Not** available in High-Gloss Foil door styles
- **Not** available in Quartersawn or Rustic door styles
- Matching face molding sold separately - 8' pieces
- Overall depth and width is greater than the nominal dimension
- Molding is applied to the face and both ends
- **Not** trimmable

PE
● APC
APFC
FPEB
MI
CW
RD
CH
XS

Floating Shelf - Sterling

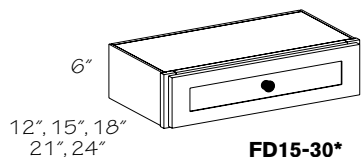


10" Deep	12" Deep
FLS24 .S	FLS2412 .S
FLS30 .S	FLS3012 .S
FLS36 .S	FLS3612 .S
FLS42 .S	FLS4212 .S
FLS48 .S	FLS4812 .S
FLS60 .S	FLS6012 .S

- 50 lbs. capacity
- Painted hardwood supplied for EverCore™
- Painted or Stained hardwood supplied for Wood-Grain Foil door styles
- **Not** available with Antique, Distressed or Vintage finishes
- **Not** available in High-Gloss Foil door styles
- **Not** available in Quartersawn or Rustic door styles
- Molding is applied to the face and both ends
- Matching face molding sold separately - 8' pieces
- Overall depth and width is greater than the nominal dimension
- **Not** trimmable

PE
❖ APC
APFC
FPEB
MI
CW
RD
CH
XS

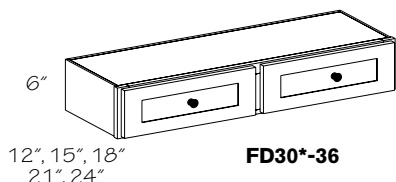
Furniture Drawer 6" H



12" Deep	18" Deep	24" Deep
○ FD151206	○ FD151806	○ FD152406
FD181206	FD181806	FD182406
FD211206	FD211806	FD212406
FD241206	FD241806	FD242406
FD271206	FD271806	FD272406
* FD301206	* FD301806	* FD302406
FD361206	FD361806	FD362406

- Framed construction
- 1/2" thick panels

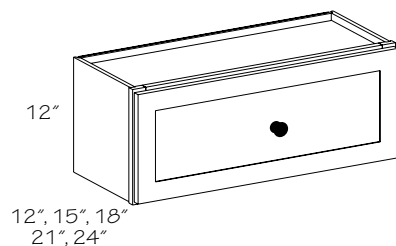
❖ PE
● APC
● APFC
● FPEB
MI
☆ CW
RD
CH
● XS



15" Deep	21" Deep
○ FD151506	○ FD152106
FD181506	FD182106
FD211506	FD212106
FD241506	FD242106
FD271506	FD272106
* FD301506	* FD302106
FD361506	FD362106

- Change Width (CW) option **not** available
- * Two drawer unit in full overlay door styles

Furniture Drawer 12" H



12" Deep	18" Deep	24" Deep
○ FD151212	○ FD151812	○ FD152412
FD181212	FD181812	FD182412
FD211212	FD211812	FD212412
FD241212	FD241812	FD242412
FD271212	FD271812	FD272412
FD301212	FD301812	FD302412
FD361212	FD361812	FD362412

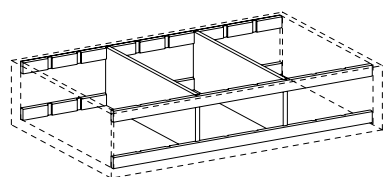
15" Deep	21" Deep
○ FD151512	○ FD152112
FD181512	FD182112
FD211512	FD212112
FD241512	FD242112
FD271512	FD272112
FD301512	FD302112
FD361512	FD362112

- Framed construction

● PE
● APC
● APFC
● FPEB
MI
☆ CW
RD
CH
● XS

- Change Width (CW) option **not** available

Adjustable Drawer Dividers



1ADD

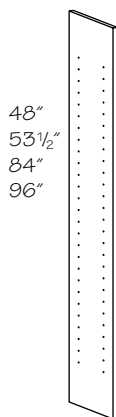
Single Replacement Dividers Only

- ADDIV.7.12** 7" High, 12" Deep Drawers
- ADDIV.7.15** 7" High, 15" Deep Drawers
- ADDIV.7.18** 7" High, 18" Deep Drawers
- ADDIV.7.21** 7" High, 21" Deep Drawers
- ADDIV.7.24** 7" High, 24" Deep Drawers

- Dividers are 1/2" thick and can be spaced approximately 3" apart
- Fits Furniture Drawer 12" H (FD_12)
- For 24"-27" wide cabinets, two dividers supplied
- For 30"-36" wide cabinets, three dividers supplied
- Available factory installed only

PE
APC
APFC
FPEB
MI
CW
RD
CH
XS

Furniture End Panels



13", 19", 22", 25"

Wood Veneer
48" High

- WFEP1348**
- WFEP1948**
- WFEP2248**
- WFEP2548**

Wood Veneer
53 1/2" High

- WFEP1354**
- WFEP1954**
- WFEP2254**
- WFEP2554**

Wood Veneer
84" High

- WFEP1384**
- WFEP1984**
- WFEP2284**
- WFEP2584**

Wood Veneer
96" High

- WFEP1396**
- WFEP1996**
- WFEP2296**
- WFEP2596**

Center Drilled Wood Veneer
48" High

- WFEP1348 .CE**
- WFEP1948 .CE**
- WFEP2248 .CE**
- WFEP2548 .CE**

Center Drilled Wood Veneer
53 1/2" High

- WFEP1354 .CE**
- WFEP1954 .CE**
- WFEP2254 .CE**
- WFEP2554 .CE**

Center Drilled Wood Veneer
84" High

- WFEP1384 .CE**
- WFEP1984 .CE**
- WFEP2284 .CE**
- WFEP2584 .CE**

Center Drilled Wood Veneer
96" High

- WFEP1396 .CE**
- WFEP1996 .CE**
- WFEP2296 .CE**
- WFEP2596 .CE**

Peninsula Wood Veneer
48" High

- WPFEP1348**
- WPFEP1948**
- WPFEP2248**
- WPFEP2548**

Peninsula Wood Veneer
53 1/2" High

- WPFEP1354**
- WPFEP1954**
- WPFEP2254**
- WPFEP2554**

Peninsula Wood Veneer
84" High

- WPFEP1384**
- WPFEP1984**
- WPFEP2284**
- WPFEP2584**

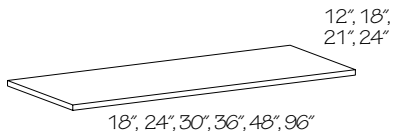
Peninsula Wood Veneer
96" High

- WPFEP1396**
- WPFEP1996**
- WPFEP2296**
- WPFEP2596**

- Matching 13/16" wood veneer both sides with shelf hole drilling on one side; both sides for center drilled shelves
- Quartersawn Oak door styles are matching 13/16" quartersawn wood veneer
- Plain sawn material supplied for Bristow Crafted door styles
- Wood Veneer Panels will have painted or stained hardwood supplied for Wood-Grain Foil door styles
- Edgebanded one long edge; two long edges on Peninsula shelves
- Satin chrome furniture shelf rests available; see Hardware Section
- ☆ APC panel only available in wood veneer
- ☆ APC panel is 11/16" thick
- Painted hardwood supplied for EverCore™ and Thermofoil

PE
☆ APC
APFC
FPEB
MI
CW
RD
CH
XS

Furniture Shelves



Wood Veneer
18" Wide

WFS1218

WFS1818

WFS2118

WFS2418

Wood Veneer
24" Wide

WFS1224

WFS1824

WFS2124

WFS2424

Wood Veneer
30" Wide

WFS1230

WFS1830

WFS2130

WFS2430

Wood Veneer
36" Wide

WFS1236

WFS1836

WFS2136

WFS2436

Wood Veneer
48" Wide

WFS1248

WFS1848

WFS2148

WFS2448

Wood Veneer
96" Wide

WFS1296

WFS1896

WFS2196

WFS2496

Peninsula Wood Veneer
18" Wide

WPFS1218

WPFS1818

WPFS2118

WPFS2418

Peninsula Wood Veneer
24" Wide

WPFS1224

WPFS1824

WPFS2124

WPFS2424

Peninsula Wood Veneer
30" Wide

WPFS1230

WPFS1830

WPFS2130

WPFS2430

Peninsula Wood Veneer
36" Wide

WPFS1236

WPFS1836

WPFS2136

WPFS2436

Peninsula Wood Veneer
48" Wide

WPFS1248

WPFS1848

WPFS2148

WPFS2448

Peninsula Wood Veneer
96" Wide

WPFS1296

WPFS1896

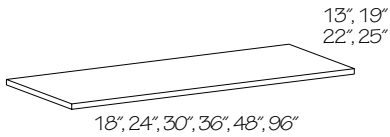
WPFS2196

WPFS2496

- Matching 13/16" wood veneer
- Quartersawn Oak door styles are matching 13/16" quartersawn wood veneer
- Plain sawn material supplied for Bristow Crafted door styles
- Edgebanded one long and two short edges; all edges for Peninsula shelves
- ☆ APC panel only available in wood veneer
- ☆ APC panel is 11/16" thick
- Wood Veneer shelves will have painted or stained hardwood supplied for High-Gloss Foil and Wood-Grain Foil door styles
- Painted hardwood supplied for EverCore™ and Thermofoil

PE
☆ APC
APFC
FPEB
MI
CW
RD
CH
XS

Furniture Panels



Wood Veneer
18" Wide
WFP1318
WFP1918
WFP2218
WFP2518

Wood Veneer
24" Wide
WFP1324
WFP1924
WFP2224
WFP2524

Wood Veneer
30" Wide
WFP1330
WFP1930
WFP2230
WFP2530

Wood Veneer
36" Wide
WFP1336
WFP1936
WFP2236
WFP2536

Wood Veneer
48" Wide
WFP1348
WFP1948
WFP2248
WFP2548

Wood Veneer
96" Wide
WFP1396
WFP1996
WFP2296
WFP2596

Peninsula Wood Veneer
18" Wide
WPFP1318
WPFP1918
WPFP2218
WPFP2518

Peninsula Wood Veneer
24" Wide
WPFP1324
WPFP1924
WPFP2224
WPFP2524

Peninsula Wood Veneer
30" Wide
WPFP1330
WPFP1930
WPFP2230
WPFP2530

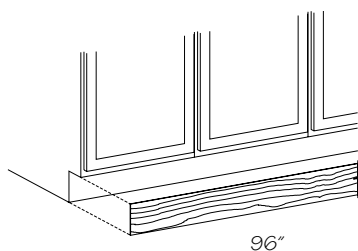
Peninsula Wood Veneer
36" Wide
WPFP1336
WPFP1936
WPFP2236
WPFP2536

Peninsula Wood Veneer
48" Wide
WPFP1348
WPFP1948
WPFP2248
WPFP2548

Peninsula Wood Veneer
96" Wide
WPFP1396
WPFP1996
WPFP2296
WPFP2596

- Matching 13/16" wood veneer
- Quartersawn Oak door styles are matching 13/16" quartersawn wood veneer
- Edgebanded one long and two short edges; all edges for Peninsula shelves
- ☆ APC panel only available in wood veneer
- ☆ APC panel is 11/16" thick
- Wood Veneer Panels will have painted or stained hardwood supplied for Wood-Grain Foil door styles
- Painted hardwood supplied for EverCore™ and Thermofoil

PE
☆ APC
APFC
FPEB
MI
CW
RD
CH
XS



Toe Kick

Black

+ **BLTK8**

1/8" thick hardboard, 4 1/2" high

Wood grain Laminate

MTK8

1/8" thick hardboard, 4 1/2" high, laminated with matching printed wood grain laminate

Laminate

MTK8

1/8" thick hardboard, 4 1/2" high, laminated with matching printed wood grain laminate

Aluminum finish

MTK8 .A

1/16" thick flexible laminate, 4 1/2" high

Stainless finish

MTK8 .S

1/16" thick flexible laminate, 4 1/2" high

Wood Veneer

◆▲ **WMTK8**

3/16" thick wood veneer, 4 1/2" high, to match

- + Painted hardwood supplied for EverCore™ and Thermofoil
- ◆ Quartersawn Oak door styles are quartersawn wood veneer
- ▲ Painted or Stained hardwood supplied for Wood-Grain Foil door styles

- Edges are unfinished
- Field installation only
- **Note:** Matching toe kick is **not** automatically supplied with cabinets. It **must** be ordered as a separate item



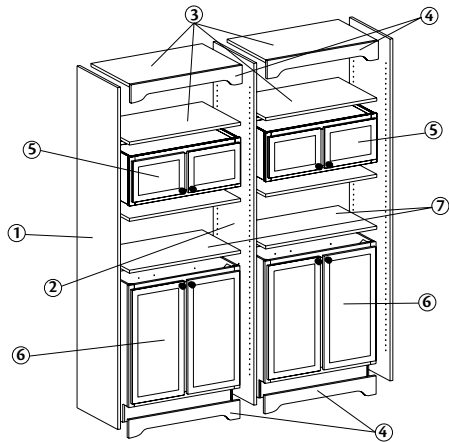
Apply Shoe Molding (SHO8) at the base of Matching Toe Kicks or Wood Matching Toe Kicks (MTK8 or WMTK8) for a nice, finished look.

PE
APC
APFC
FPEB
MI
CW
RD
CH
XS

Design Ideas

Construction Options and Modifications

Creating signature furniture pieces requires careful consideration and planning. KraftMaid® Cabinetry makes it easy with a wide variety of choices to personalize any space. The following are some example configurations to help you in designing the ideal furniture piece for your customer.

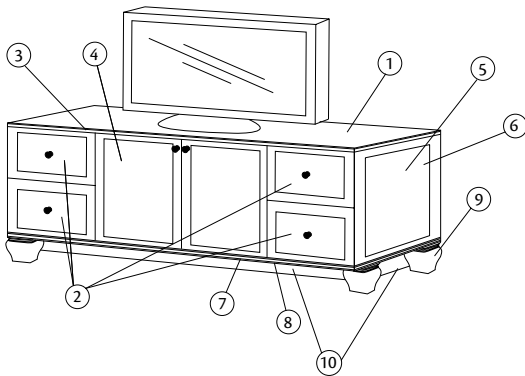


Furniture Component System

Create your own furniture component system using standard wall and base cabinets

1. Furniture end panel
2. Center furniture end panel
3. Furniture shelf
4. Furniture valance
5. Standard wall cabinet
6. Base cabinet with full-height doors
7. Furniture panel

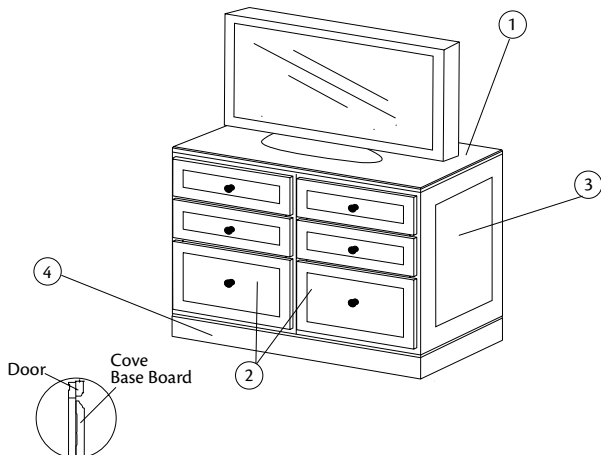
Flat Screen Design Idea 1



1. Wood Top
2. Furniture Drawer
3. Stack Molding
4. Wall Cabinet
5. Wood Skin (apply one to each side)
6. Replacement Door (apply one to each side)
7. Furniture Shelf
8. Single Bead Edge (applied to front and side edges)
9. Cove Legs
10. Matching Toe Kick*

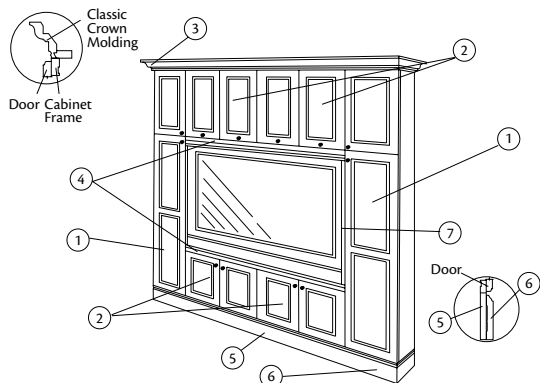
*Build a recessed toe kick platform for added support and apply Matching Toe Kick. Recommend to recess 9"

Flat Screen Design Idea 2



1. Wood Top
2. Desk Drawer Cabinet (Wide Rail Plain)
3. Replacement Door
4. Cove Base Board

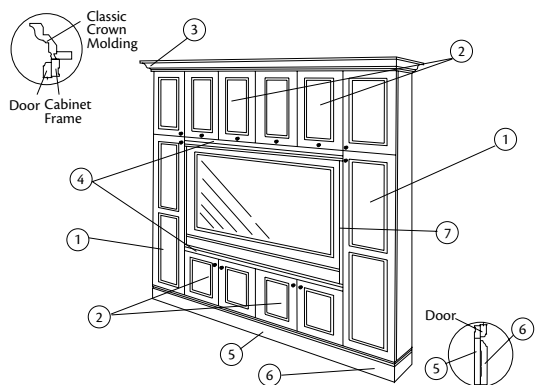
Flat Screen Design Idea 3



1. Utility cabinets (with Wide Rail Plain; Reduced Depth to 18")
2. Wall Cabinets (w/Butt doors; Increased Depth to 18")*
3. Classic Crown Molding
4. Furniture Shelves
5. Solid Stock
6. Cove Base Board
7. Skin or panel, applied to wall, behind TV. **Not** intended for supporting TV.

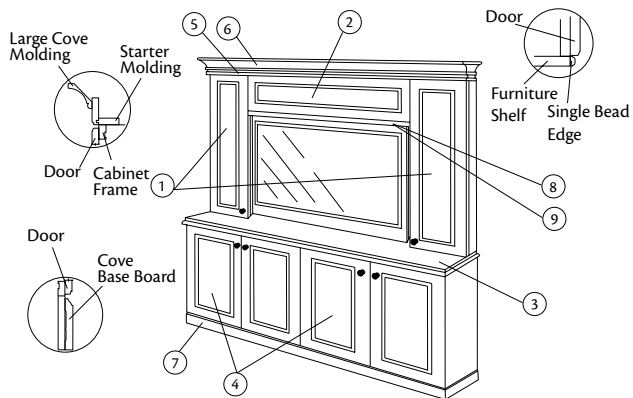
* Build a flush toe kick platform for added support

Flat Screen Design Idea 4



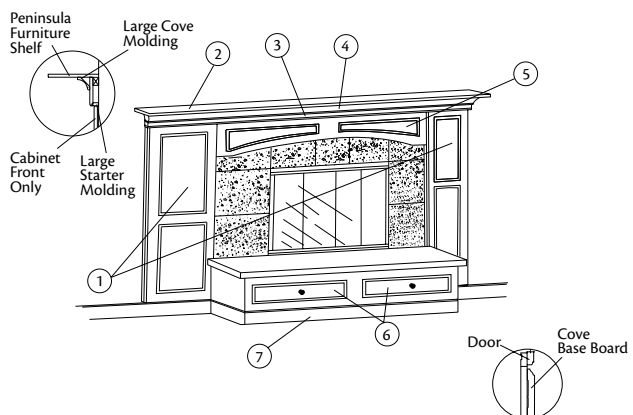
1. Utility Cabinets (with Wide Rail Plain; Reduced Depth to 18")
2. Vanity Cabinets (with Wide Rail Plain)
3. Classic Crown Molding
4. Furniture Shelves (pull forward 3/4")
5. Solid Stock
6. Cove Base Board
7. Furniture Panels

Flat Screen Design Idea 5



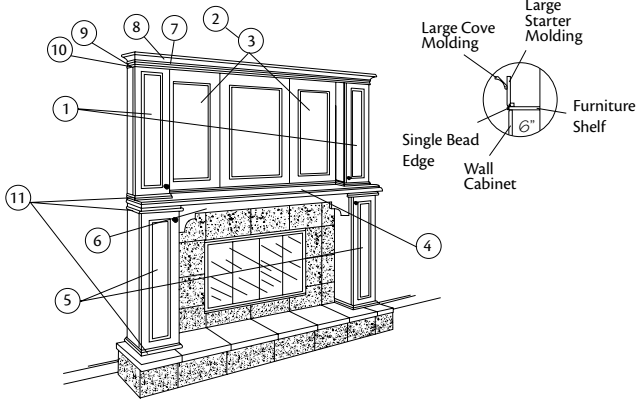
1. Wall Cabinets (Reduced Depth to fit TV Specs; with Furniture Plywood Ends)
2. Wall Cabinets-CFO (installed horizontally at 12" deep; secure door)
3. Wood Top (Finished Both Ends)
4. Vanity Cabinets (with Wide Rail Plain; Furniture Plywood Ends)
5. Starter Molding
6. Large Cove Molding
7. Cove Base Board
8. Furniture Shelf
9. Single Bead Edge (applied to front of shelf)

Hearth Design Idea 1



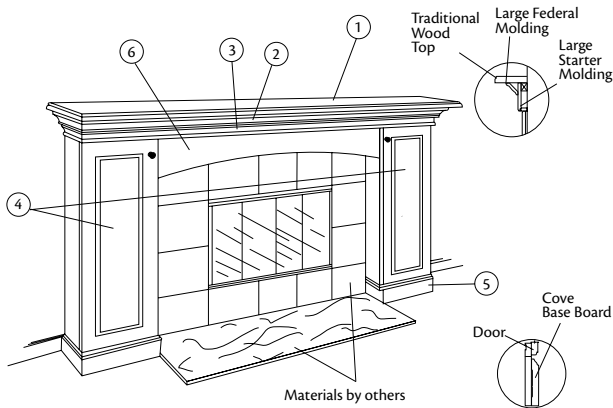
1. Utility Cabinet-CFO
 2. Peninsula Furniture Shelf
 3. Large Starter Molding
 4. Large Cove Molding
 5. Flat Panel Valance
 6. 12" high Furniture Drawer (with Furniture Plywood Ends)*
 7. Cove Base Board
- * Build a 4 1/2" high platform under Furniture Drawers for support

Hearth Design Idea 2



1. Wall Cabinets (Reduced Depth to 6" with Furniture Plywood Ends)
2. Wall Skin (cut skin to wall)
3. Replacement Door
4. Wood Top
5. Wall Cabinet (with Furniture Plywood Ends)
6. Crown Valance
7. Large Starter Molding
8. Large Cove Molding
9. Furniture Shelf
10. Single Bead Edge (applied to edge of shelf)
11. Ogee Molding (above and below cabinets)

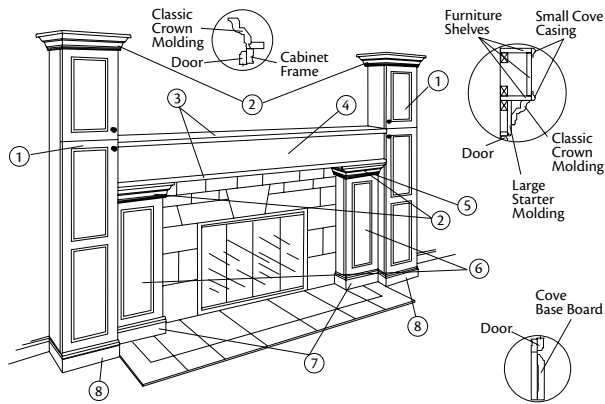
Hearth Design Idea 3



1. Traditional Wood Top
2. Large Federal Molding
3. Large Starter Molding
4. Wall Cabinets (Reduced Depth to 6; Furniture Plywood Ends)*
5. Cove Base Board
6. Cove Valance

* Build a flush toe kick platform under for support

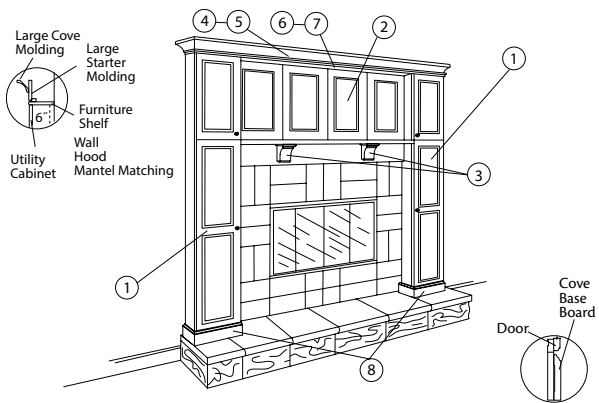
Hearth Design Idea 4



1. Utility Cabinet (Wide Rail Plain; Furniture Plywood Ends)
2. Classic Crown Molding
3. Small Cove Casing
4. Furniture Shelf
5. Large Starter Molding
6. Wall Cabinets (Reduced Depth to 6; Furniture Plywood Ends)*
7. Solid Stock
8. Cove Base Board

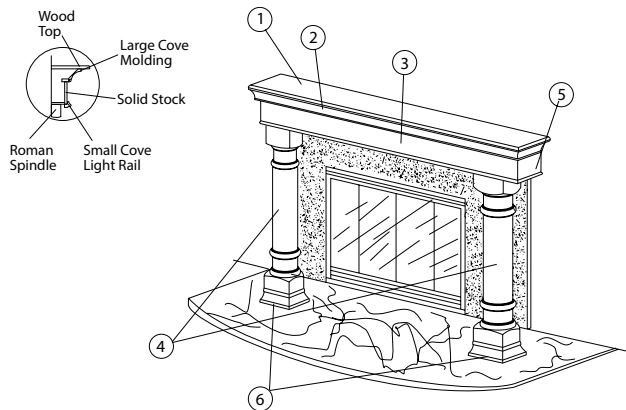
* Build a flush toe kick platform under for support

Hearth Design Idea 5



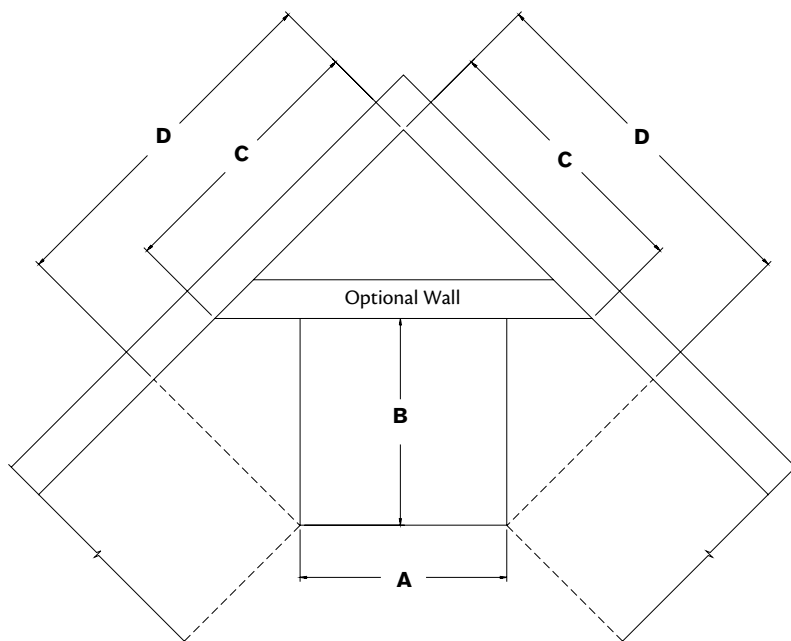
1. Utility Cabinet (Wide Rail Plain; Furniture Plywood Ends; Reduced Depth to 6")
2. Wall Hood Mantel Matching
3. Cove Corbel
4. Large Starter Molding
5. Large Cove Molding
6. Furniture Shelf
7. Single Bead Edge
8. Cove Base Board

Hearth Design Idea 6



1. Wood Top
2. Large Cove Molding
3. Solid Stock
4. Roman Spindles
5. Small Cove Light Rail
6. Large Cove Molding (inverted)

Diagonal Installation of Standard Furniture Cabinets



Cabinet Width "A"	Cabinet Width "B"	Wall Dimensions "C"	Wall Dimensions "D"	Cabinet Depth "B"	Wall Dimensions "C"	Wall Dimensions "D"
18"	12"	20 3/4"	25 3/4"	18"	23 1/4"	30 3/4"
24"	12"	24 3/4"	29 3/4"	18"	27 1/2"	35"
30"	12"	28 7/8"	33 3/4"	18"	31 3/4"	39 1/4"
36"	12"	33 1/8"	38 3/8"	18"	36"	43 1/2"

Notes

Universal Access Cabinetry

Construction Options and Modifications

- ❖ Included as standard
- Available with an upcharge
- ☆ Available with exceptions
- (Blank) **Not** available

- PE Plywood Ends
- APC All Plywood Construction
- APFC All Plywood Furniture Construction
- FPEB Furniture Plywood Ends
- MI Matching Interior
- OE Operational End
- RD Reduced Depth
- IF Inverted Frame
- TWR Top Wide Rail
- XS Extended Stile
- GD Glass Doors
- RTK Recessed Toe Kick

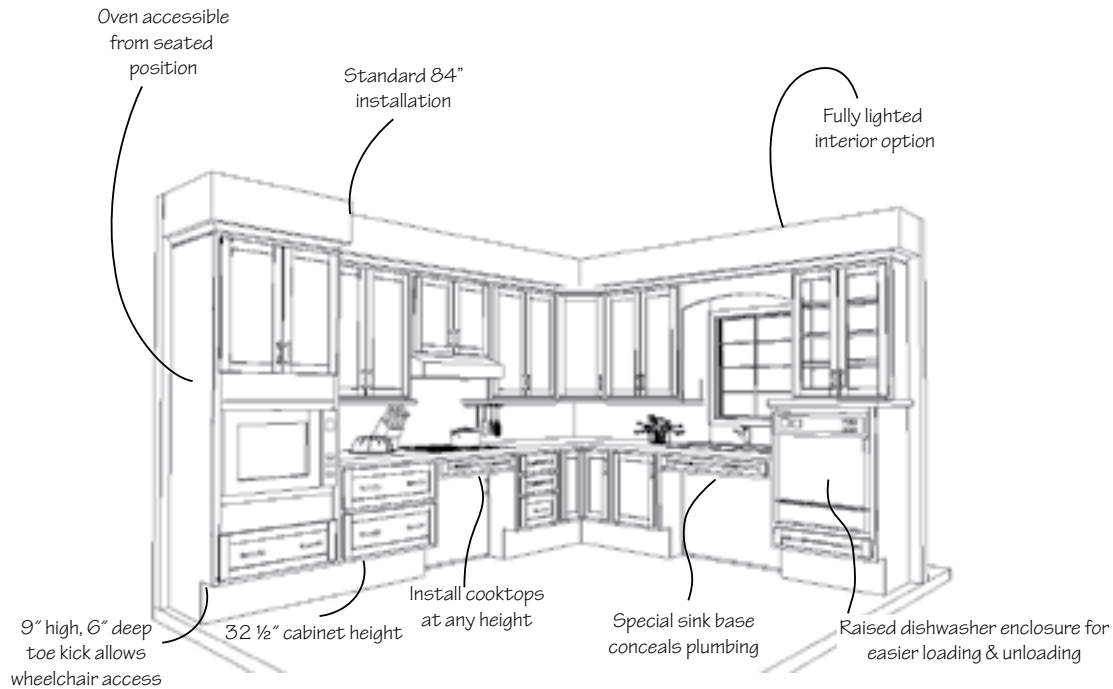
AU	18	12	84
code	width	depth	height

Material dimensions listed may vary slightly from actual dimensions of the product.

Specifications subject to change without notice.

Universal Access cabinetry is available in 1/2" overlay door styles only.

Universal Access Series



Recommendations for Maximum Accessibility

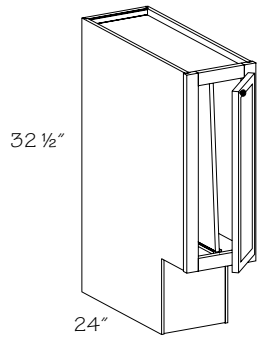
- Order 36" high wall cabinets installed at 82" or 84" height
- Order wall cabinets with increased depth to 15"
- Minimize use of base cabinets with doors, select drawer or tambour cabinets

Door Style Availability

- Universal Access SKU's are only available in Fox Court Arch-Half, Fox Court Square-Half, Ganon Arch-Half, Ganon Square-Half, Harmond, Martel and Townley door styles

Design Recommendations

- Consider specifying Under Cabinet Panels for wall cabinets available for wheelchair users

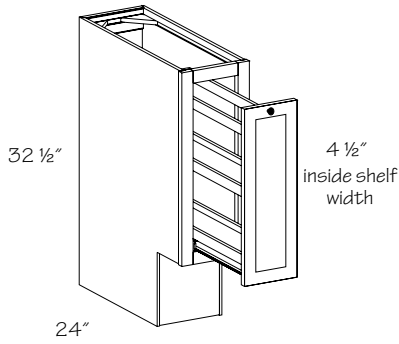


Universal Base Single Door w/Tray Divider

AB9 R or L

- Specify R or L for single door hinging
- Full-height door
- One full-height tray divider

- PE
- APC
- APFC
- FPFB
- MI
- OE
- RD
- IF
- TWR
- XS
- GD
- RTK

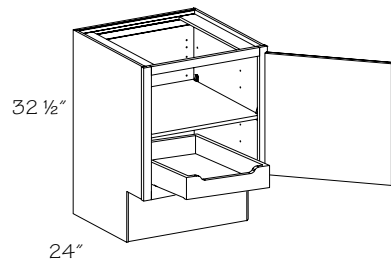


Universal Base Pantry Pull-out

ABPP9

- Unit slides on heavy duty full extension runners with integrated buffer
- Two fixed wood shelves attached to a full-height door
- Pull-out Heights:
Top shelf--8 1/4"
Bottom shelf--7 3/4"

- PE
- APC
- APFC
- FPFB
- MI
- OE
- RD
- IF
- TWR
- XS
- GD
- RTK



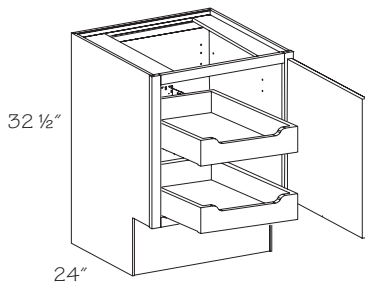
Universal Base Cabinet w/Deluxe Rollout Trays

ABFH12 R or L.DXFWT
ABFH15 R or L.DXFWT
ABFH18 R or L.DXFWT
ABFH21 R or L.DXFWT
ABFH24 BUTT.DXFWT
ABFH27 (Butt).DXFWT
ABFH30 BUTT.DXFWT
ABFH33 BUTT.DXFWT
ABFH36 BUTT.DXFWT

- Specify R or L for single door hinging
- Full-height door
- One adjustable shelf
- One adjustable, full-width Roll-out Tray (ROT)
- ☆ Minimum Reduced Depth (RD) is 18"

- PE
- APC
- APFC
- FPFB
- MI
- OE
- ☆ RD
- IF
- TWR
- XS
- GD
- RTK

Universal Base Cabinet w/2 Deluxe Rollout Trays

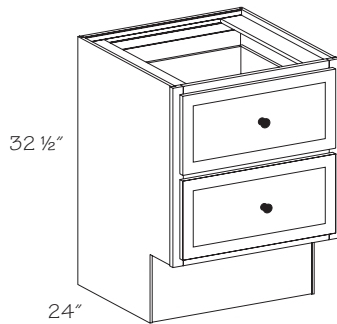


ABFH12 R or L.2DXFWT
ABFH15 R or L.2DXFWT
ABFH18 R or L.2DXFWT
ABFH21 R or L.2DXFWT
ABFH24 BUTT.2DXFWT
ABFH27 (Butt).2DXFWT
ABFH30 BUTT.2DXFWT
ABFH33 BUTT.2DXFWT
ABFH36 BUTT.2DXFWT

- Specify R or L for single door hinging
- Full-height door
- ☆ Minimum Reduced Depth (RD) is 18"

●	PE
●	APC
●	APFC
●	FPEB
●	MI
●	OE
☆	RD
	IF
	TWR
●	XS
●	GD
●	RTK

Universal Base Two Drawer

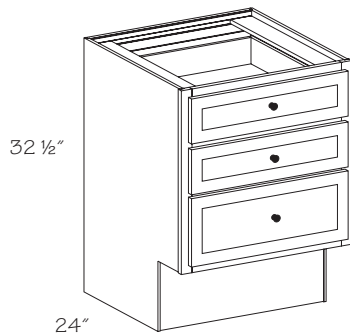


ABD12 .2
ABD15 .2
ABD18 .2
ABD21 .2
ABD24 .2
ABD27 .2
ABD30 .2
ABD36 .2

- Two deep drawers

●	PE
●	APC
●	APFC
●	FPEB
	MI
	OE
●	RD
	IF
	TWR
●	XS
	GD
●	RTK

Universal Base Three Drawer

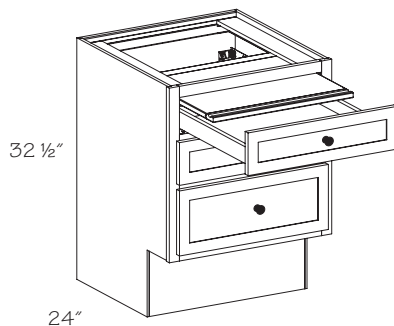


ABD12 .3
ABD15 .3
ABD18 .3
ABD21 .3
ABD24 .3

- Two standard drawers
- One deep drawer

●	PE
●	APC
●	APFC
●	FPEB
	MI
	OE
●	RD
	IF
●	TWR
●	XS
	GD
●	RTK

Universal Base Three Drawer w/Cutting Center

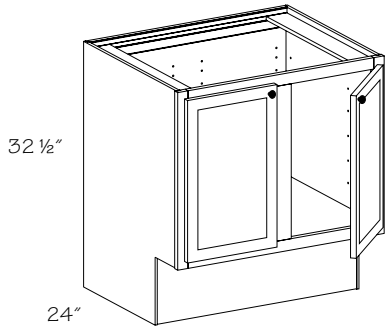


ABD15 .3CC
ABD18 .3CC
ABD21 .3CC
ABD24 .3CC

- One standard drawer
- One deep drawer
- 2 1/4" high drawer box with cutting board installed above
- Cutting board is removable

●	PE
●	APC
●	APFC
●	FPEB
	MI
	OE
	RD
	IF
	TWR
●	XS
	GD
●	RTK

Universal Sink Base

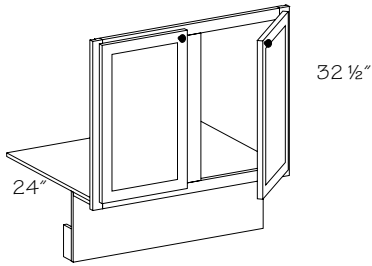


ASB30
ASB36

- Full-height door
- No shelf
- Designed for use as a range or sink base
- Includes a Touch-Up Kit (TUK)

- PE
- APC
- APFC
- FPFB
- MI
- OE
- RD
- IF
- TWR
- XS
- GD
- RTK

Universal Sink Front

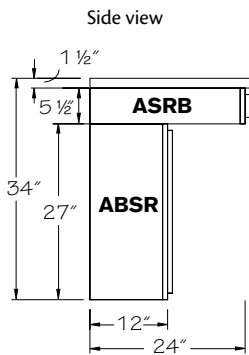


ASF30
ASF36

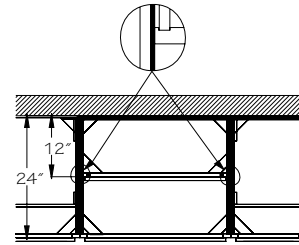
- Includes floor; shipped loose
- UTK **not** available
- Unit is **not** trimmable
- Includes a Touch-Up Kit (TUK)

- PE
- APC
- APFC
- FPFB
- MI
- OE
- RD
- IF
- TWR
- XS
- GD
- RTK

Universal Plumbing Skirt and Sink Collar Usage

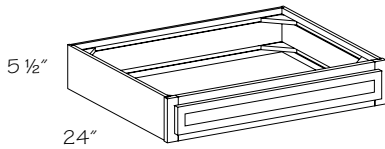


Top view



For proper fit, install WSK or VSK on base and tall cabinets next to ABSR

Universal Sink Collar

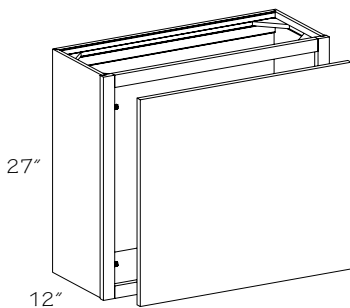


ASRB30
ASRB36

- Designed for use with Universal Access Plumbing Skirt (ABSR)
- For use with sink or cooktop
- Includes a Touch-Up Kit (TUK)

- PE
- APC
- APFC
- FPFB
- MI
- OE
- RD
- IF
- TWR
- XS
- GD
- RTK

Universal Plumbing Skirt

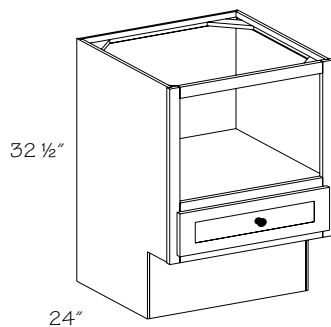


ABSR30
ABSR36

- Install with back to wall, creates a 12" deep knee space
- Removable front
- Water lines and drains including P-Trap **must not** be installed any more than 6" from wall
- Be sure to check your local Accessible Design codes for necessary clearances
- Cabinet Front Only (CFO) option is available for clearance flexibility
- Includes a Touch-Up Kit (TUK)
- Painted hardwood supplied for EverCore™
- **Note:** Adjacent cabinets **must** have skins or Furniture Plywood Ends (FPFB) applied

- PE
- APC
- APFC
- FPFB
- MI
- OE
- RD
- IF
- TWR
- XS
- GD
- RTK

Universal Base Microwave



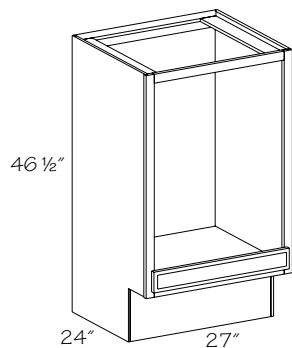
Opening Width

- ABMW21** 18"
- ABMW24** 21"
- ABMW27** 24"

- One standard drawer
- Opening height 14"
- Designed for countertop style microwaves

- PE
- APC
- APFC
- FPEB
- MI
- OE
- RD
- IF
- TWR
- XS
- GD
- RTK

Universal Base Dishwasher Cabinet

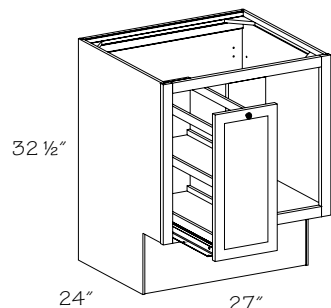


ABDW27

- Allows for 11" raised installation of standard dishwashers
- Finished top required
- Plywood floor
- False drawer front

- PE
- APC
- APFC
- FPEB
- MI
- OE
- RD
- IF
- TWR
- XS
- GD
- RTK

Universal Base Blind Corner w/Pull-out

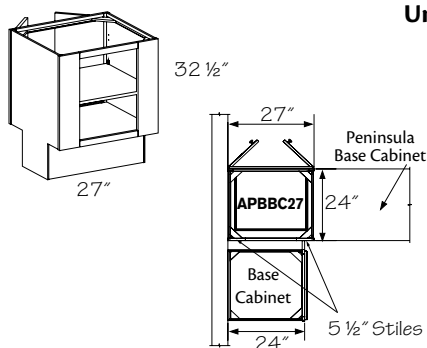


ABBC36 R or L.BPP

- Specify R or L; R or L indicates blind
- Requires a minimum of 39" wall space
- Blind panel (stile) is 6" wide
- **Must** be pulled min. 12"; max. 15"
- Pull-out Heights:
Top shelf--8 1/4"
Bottom shelf--7 3/4"
- Right blind shown
- Filler included
- Unit slides on heavy duty full extension runners with integrated buffer
- **Note:** If using decorative hardware on adjacent cabinets, allow at least 40" wall space to allow for clearance of pull-out unit

- PE
- APC
- APFC
- FPEB
- MI
- OE
- RD
- IF
- TWR
- XS
- GD
- RTK

Universal Peninsula Base Blind Corner

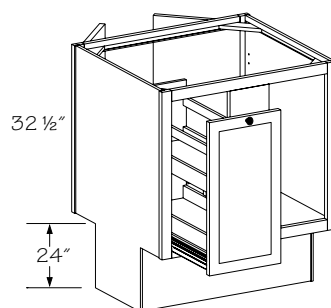


APBBC27

- One adjustable shelf
- For use as a starter cabinet for peninsula
- Two 5 1/2" stiles on blind side allow cabinet to be used as right or left
- Reversible

- PE
- APC
- APFC
- FPEB
- MI
- OE
- RD
- IF
- TWR
- XS
- GD
- RTK

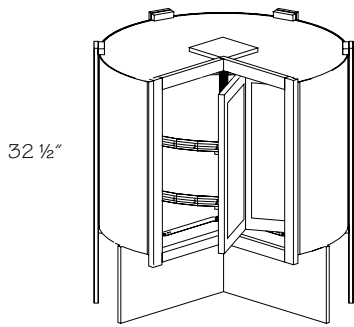
Universal Peninsula Base Blind Corner w/Pull-Out



APBBC36 R or L.BPP

- Specify R or L; R or L indicates blind
- Requires a minimum of 39" wall space
- Blind panel (stile) is 6" wide
- **Must** be pulled min. 12"; max. 15"
- Pull-out Heights:
Top shelf--8 1/4"
Bottom shelf--7 3/4"
- Right blind shown
- Filler included
- Unit slides on heavy duty full extension runners with integrated buffer
- **Note:** If using decorative hardware on adjacent cabinets, allow at least 40" wall space to allow for clearance of pull-out unit

- PE
- APC
- APFC
- FPEB
- MI
- OE
- RD
- IF
- TWR
- XS
- GD
- RTK

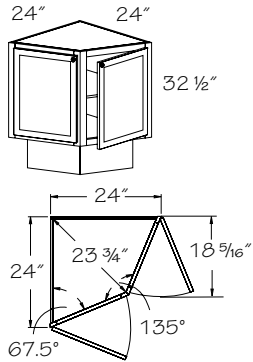


Universal Lazy Susan

ALS36

- Two pie-cut, 28" diameter, vinyl interior rotating shelves
- Requires 36" of wall space
- Doors are attached to and rotate with the Lazy Susan
- Contrasting Back Options (CBEB, CPLB, CVGR) **not** available

PE
● APC
APFC
FPEB
MI
OE
RD
IF
TWR
● XS
GD
RTK

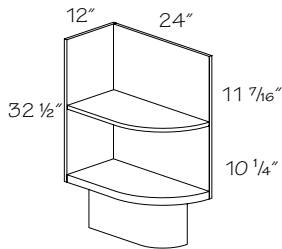


Universal Base End Corner

ABEC24

- One fixed shelf
- Can be installed on either right or left end
- Contrasting Back Options (CBEB, CPLB, CVGR) **not** available

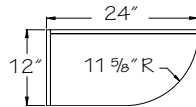
● PE
● APC
APFC
FPEB
● MI
OE
RD
IF
TWR
XS
● GD
RTK



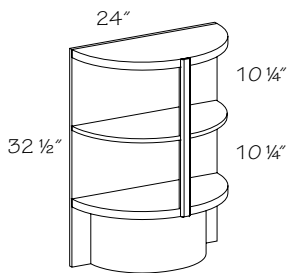
Universal Solid Wood Base End Open Shelf

ASBEOS1224 R or L

- Specify R or L
- One fixed shelf
- 5/8" wood veneer on sides and back
- 1 3/16" thick bottom shelf
- 11 5/8" radius
- Solid wood construction on shelves only
- Painted hardwood supplied for EverCore™
- Toe kick is finished
- Left shown
- For Curved Moldings, see Molding section in Decorative Enhancements
- ☆ Shelves remain solid when APC option is chosen; sides and back will be 11/16" matching wood veneer plywood
- ☆ Reduced Depth (RD) available in 3" increments to a minimum of 12"



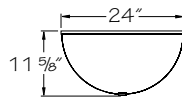
PE
☆ APC
APFC
FPEB
◇ MI
OE
☆ RD
IF
TWR
XS
GD
RTK



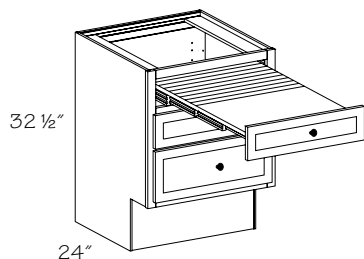
Universal Peninsula Solid Wood Base End Open Shelf

ASPBEOS2412

- Two fixed shelves
- 5/8" wood veneer on back panel
- 1 3/16" thick top and bottom shelves
- 11 5/8" radius
- Solid wood construction on shelves only
- Painted hardwood supplied for EverCore™
- Toe kick is finished
- Back may be notched in field for continuous toe kick applications
- For Curved Moldings, see Molding section in Decorative Enhancements
- ☆ Shelves remain solid when APC option is chosen; back will be 11/16" matching wood veneer plywood



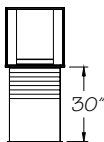
PE
☆ APC
APFC
FPEB
◇ MI
OE
RD
IF
TWR
XS
GD
RTK



Universal Base Pull-out Table

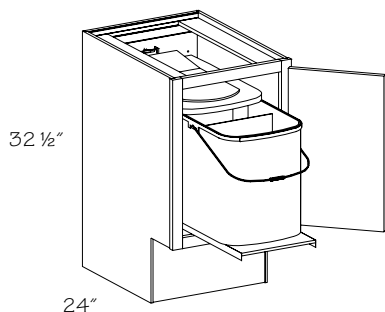
ABDT24

- One standard drawer
- One deep drawer
- Top constructed of laminated Maple melamine
- Load capacity 160 lbs.
- **Not** for use as a freestanding cabinet. **Must** be secured to floor or wall
- **Not** designed to be used as a cutting board



● PE
● APC
● APFC
● FPEB
MI
OE
RD
IF
TWR
● XS
GD
● RTK

Universal Base Wastebasket

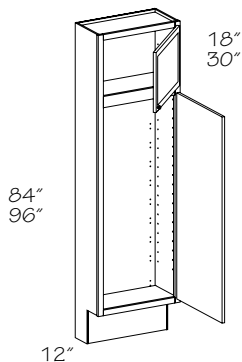


ABWB18 R or L
ABWB21 R or L

- Specify R or L for single door hinging
- 30 qt. capacity
- Basket slides on full extension glides
- Attached handle for easy lifting
- Divided for recycling
- Basket(s) are easily removable for emptying or cleaning

- PE
- APC
- APFC
- FPEB
- MI
- OE
- RD
- IF
- TWR
- XS
- GD
- RTK

Universal Utility Cabinets 12" Deep



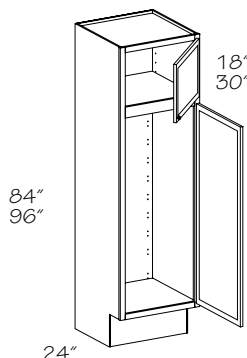
84" High
AU181284 R or L
AU241284 R or L

- 96" High
* **AU181296 R or L**
* **AU241296 R or L**
* Includes two adjustable shelves in upper section

- Specify R or L for single door hinging
- Toe kick is shipped separately on 96" high cabinets
- ☆ Operational End (OE) is **not** available with Reduced Depth (RD) option
- **Note:** Shelf Kit (SK) for lower section **must** be ordered separately; see Shelving section

- PE
- APC
- APFC
- FPEB
- MI
- ☆ OE
- RD
- IF
- TWR
- XS
- GD
- RTK

Universal Utility Cabinets 24" Deep



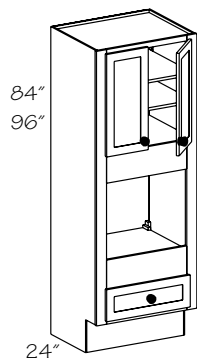
84" High
AU182484 R or L
AU242484 R or L

- 96" High
* **AU182496 R or L**
* **AU242496 R or L**
* Includes two adjustable shelves in upper section

- Specify R or L for single door hinging
- Toe kick is shipped separately on 96" high cabinets
- ☆ Operational End (OE) is **not** available with Reduced Depth (RD) option
- **Note:** Shelf Kit (SK) for lower section **must** be ordered separately; see Shelving section

- PE
- APC
- APFC
- FPEB
- MI
- ☆ OE
- RD
- IF
- TWR
- XS
- GD
- RTK

Universal Single Oven Cabinet w/3" Stiles



84" High
* **AOC302484 S.BD**
96" High
◆ **AOC302496 S.BD**

- * Includes two adjustable shelves in upper section
- ◆ Includes three adjustable shelves in upper section

- Toe kick is shipped separately on 96" high cabinets
- Oven Trim Kit (overlay panel) available for a full overlay look; see Tall Accessories section
- Doors will **not** align when stacking a Wall Refrigerator cabinet
- **Note:** Maximum recommended oven installed height is 48" for a seated person

- PE
- APC
- APFC
- FPEB
- MI
- OE
- RD
- IF
- TWR
- XS
- GD
- RTK

Cutout dimensions

Cabinet Width	Min. Width	Max. Width	Min. Height	*Max. Height
30"	24"	28"	21"	34"

* Maximum cutout opening is dependent on appliance size and use of molding or trim kit. Distance between top doors and bottom drawer is 36 1/4"

Universal Access Cabinetry Accessories

AWSK	24	32
code	width	height

Construction Options and Modifications

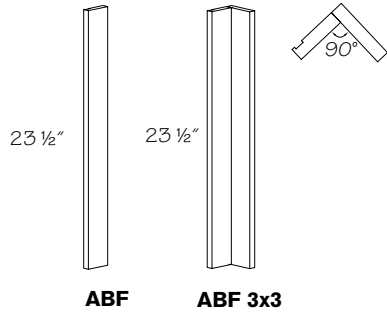
- ❖ Included as standard
- Available with an upcharge
- ☆ Available with exceptions
- (Blank) **Not** available

- PE Plywood Ends
- APC All Plywood Construction
- APFC All Plywood Furniture Construction
- FPEB Furniture Plywood Ends
- MI Matching Interior
- XS Extended Stile

Material dimensions listed may vary slightly from actual dimensions of the product.

Specifications subject to change without notice.

Universal Base Filler

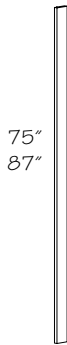


- ABF3**
- ABF6**
- ABF3X3**

- 3/4" thick solid wood
- Finished one side only
- Painted hardwood supplied for EverCore™
- No toe kick

PE
APC
APFC
FPEB
MI
XS

Universal Tall Filler

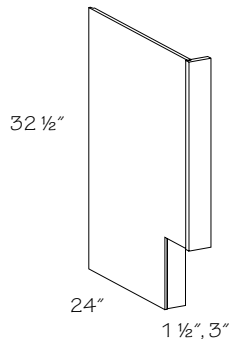


- 84" High
- ATF3.84**
- ATF6.84**
- 96" High
- ATF3.96**
- ATF6.96**

- 3/4" thick solid wood
- Finished one side only
- Painted hardwood supplied for EverCore™
- No toe kick

PE
APC
APFC
FPEB
MI
XS

Universal Base End Panel w/Stile

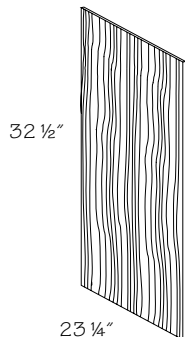


- ABEP 1 1/2 R or L**
- ABEP3 R or L**

- Specify R or L
- Left shown
- Exterior finished to match, interior is Natural Birch printed wood grain laminate
- Painted hardwood supplied for EverCore™

● PE
● APC
● APFC
● FPEB
● MI
● XS

Universal Base Skin



- Wood Veneer
- AWSK2432**

- 3/16" thick
- Painted hardwood supplied for EverCore™

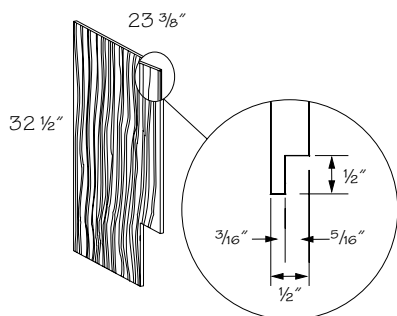
PE
APC
APFC
FPEB
MI
XS

Universal Lazy Susan End Panel

- PE
- APC
- APFC
- FPEB
- MI
- XS

ALSEP R or L

- Specify R or L
- Requires 3/16" of wall space
- Notched to fit behind stile of Lazy Susan front frame
- Painted hardwood supplied for EverCore™

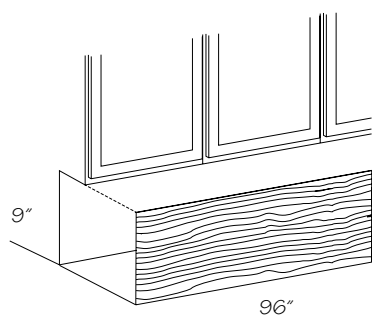


Universal Matching Toe Kick

- PE
- APC
- APFC
- FPEB
- MI
- XS

AWMTK8

- 3/16" thick wood veneer, 9" high; stained to match
- Edges are unfinished
- Field installation only
- Painted hardwood supplied for EverCore™
- **Note:** Matching toe kick is **not** automatically supplied with cabinets. It **must** be ordered as a separate item



Apply Shoe Molding (SHO8) at the base of Matching Toe Kicks or Wood Matching Toe Kicks (MTK8 or WMTK8) for a nice, finished look.

Notes

Custom Appliance Panels

CAPDW

code

This program enables you to order custom-designed appliance panels for kitchens or other living spaces.

Material dimensions listed may vary slightly from actual dimensions of the product.

Specifications subject to change without notice.

Custom Appliance Panel—General Guidelines

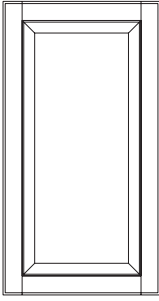
- An appliance make and model number can be provided and a panel solution will be recommend based on that information. A sample drawing will be sent back for approval
- Specific panel dimensions can be recorded and the panels well be finished to your specifications
- Check appliance manufacturer's specifications for any additional material, such as shims, spacers, etc., that may be needed before placing any order. Spacer panels are **not** supplied
- Due to potential extended lead times, CAP orders may **not** ship with associated kitchen orders. We recommend shipping CAP orders to your store to avoid additional home delivery fees
- If a veneer center panel door style is selected, appliance panel doors will have a solid wood center panel machined to resemble the veneer center panel
- Grain orientation will match that of the selected door style
- Slab door style orders are limited to the Universal Frame Only option within this program
- Only center rail modifications are available when ordering the CAPDR.W.CR and CAPDR.B.CR (location and height). Outside stiles and rails **cannot** be modified
- Stiles and rails will be the same size and profile as the selected door style (with the exception of Frame Only doors)
- Refer to appliance manufacturer's specification to ensure ice/water dispenser trim will accommodate a 3/4" to 1" thick panel
- Frame Only panels (CAPFO & UCAPFO) will **not** be supplied with applied molding on applicable door styles
- Frame Only panels (CAPFO) are **not** available in mitered door styles. We recommend using the Universal Frame Only panels
- Universal Frame Only panels (UCAPFO) will have a 3/32" radius on both inside and outside edges of stiles and rails
- Ice/water dispenser cutouts will have 3/16" radius corners
- Onlay panels will react to climate conditions causing varying degrees of joint separation. This is a natural reaction in wood product and therefore is **not** covered under warranty
- **Not** available in EverCore™, High-Gloss Foil, Thermofoil or Wood-Grain Foil door styles
- Door sizes are limited to 1/16" increments

Custom Appliance Panel—Pricing Method

- General Pricing Rules:
- Using the outer most dimension of each panel, the width and height should be converted into a decimal form. Examples: 21 9/16" = 21.5625; 58 7/16" = 58.4375, etc.
- Calculated dimensions will be rounded using the standard rounding method (down from 4 and up from 5) to the nearest 10,000th place. Example: 8.7504069 will round to 8.7504
- List prices will be rounded up to the nearest dollar from .01 cents. Example: \$179.01 will become \$180
- Please use the following instructions to determine the LIST PRICE of each panel, remembering to use the rounding method mentioned above
- Start by taking the panel width and height, in decimal form, and multiply the two numbers together giving you the total square inches. Example: (21 9/16") 21.5625 x (58 3/8") 58.4375 = 1260.058594 sq. in., which rounds to 1260.0586 sq. in.
- Next, you need to convert sq. in. into sq. ft. by taking the sq. in. figure and dividing that number by 144. Example: 1260.0586 ÷ 144 = 8.7504069 sq. ft., which rounds to 8.7504 sq. ft.
- Next, multiply the total sq. ft. by the appropriate sq. ft. list price to get the total list price. Example 8.7504 x \$141 = 1233.81, which rounds to \$1234 list price
- Factory cutouts are an additional charge and **must** be added to the calculated price
- **Note:** Prices shown above are merely examples and are **not** actual list prices

Custom Appliance Panel–Door Onlay Panel

CAPDR.B
CAPDR.W

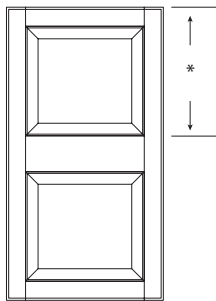


Onlay Panel	
Minimum Width	7"
Maximum Width	36"
Minimum Height	10"
Maximum Height	80"

- No center rail
- When an arched door style is selected, you **must** select Arched (•W) or Square (•B) to determine the door and onlay panel's top profile
- When a square door style is selected, the square profile will be supplied for all onlay panels as standard. It is recommended to use a square profile when ordering an onlay panel for a dishwasher or trash compactor application
- **Not** available in EverCore™, High-Gloss Foil, Thermofoil or Wood-Grain Foil door styles
- 7" wide door panels will be supplied as a slab design with profiled edges if frame stiles are wider than 3"
- Stiles and rails will be the same size and profile as the selected door style
- Cutouts are **not** available
- Backs are finished
- Doors are automatically drilled for Permaset Bumpers
- Doors ordered with the No Hinge (NH) option will receive a single cup hinge bore for internal tracking purposes



Custom Appliance Panels (CAP) are located in 2020 Design under Base->Panels->Custom Appliance Panel. Once the panel is placed on the floor plan, the CAP wizard will pop-up and dimensions can be specified



*Distance between the top of the top rail and the top of the center rail

Custom Appliance Panel–Door Onlay Panel with Custom Center Rail

CAPDR.B.CR
CAPDR.W.CR

Onlay Panel	
Minimum Width	7"
Maximum Width	36"
Minimum Height	24"
Maximum Height	80"

Center Rail Height	
Minimum Width	1 1/2"
Maximum Width	19"

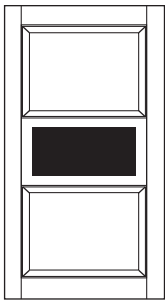
Distance from the top of the rail to the bottom of the center rail

- The center rail position can be customized by providing the distance between the top of the top rail and the top of the center rail
- Due to varying dimensions and designs of raised center panels, recessed center panels may be supplied when the center panel width or height is less than 3 1/4"
- **Not** available in EverCore™, High-Gloss Foil, Thermofoil or Wood-Grain Foil door styles
- **Not** available in mitered door styles
- Optional center rail cutout (CUTOUT) is available
- Stiles and rails will be the same size and profile as the selected door style
- 7" wide door panels will be supplied as a slab design with profiled edges if frame stiles are wider than 3"
- Backs are finished
- Doors are automatically drilled for Permaset Bumpers
- Doors ordered with the No Hinge (NH) option will receive a single cup hinge bore for internal tracking purposes
- **Note:** If center rail modifications are **not** necessary, use Decorative Appliance Panels



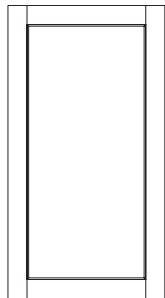
Custom Appliance Panels (CAP) are located in 2020 Design under Base->Panels->Custom Appliance Panel. Once the panel is placed on the floor plan, the CAP wizard will pop-up and dimensions can be specified

Center Rail Cutout



CUTOUT

- Specify cutout width and height
- The cutout position can be customized based on the distance specified from the left outside edge and from the top outside edge of the door onlay panel
- Refer to appliance manufacturer's specification to ensure ice/water dispenser trim will accommodate a 3/4" to 1" thick panel
- Cutouts will have 3/16" radius corners
- Center Rail Cutout (CUTOUT) is only available on the Custom Appliance Panel–Door Onlay Panel with Custom Center Rail (CAPDR_•CR)
- **Not** available in EverCore™, High-Gloss Foil or Wood-Grain Foil door styles



Custom Appliance Panel-Frame Only

CAPFO

- Frame Only panels will **not** be supplied with applied molding on applicable door styles
- 7" wide door panels will be supplied as a slab design with profiled edges if frame stiles are wider than 3"
- Outside edge profiles on stiles and rails will match the selected door style for Frame Only panels, and the inside edge profiles will have a 3/32" radius
- Stile and rail sizes can be modified
- **Not** available in mitered or slab door styles
- **Not** available in EverCore™, High-Gloss Foil, Thermofoil or Wood-Grain Foil door styles
- Backs are finished
- Panels are automatically drilled for Permaset Bumpers
- Panels will receive a single cup hinge bore for internal tracking purposes

Frame	
Minimum Width	7"
Maximum Width	30"
Minimum Height	10"

Top & Bottom Rail Height	
Minimum Width	1 1/2"
Maximum Width	12"

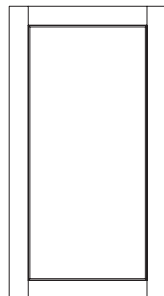
Right & Left Stile Width	
Minimum Width	1 1/2"
Maximum Width	5"



Use with wine chillers that have framed glass doors



Custom Appliance Panels (CAP) are located in 2020 Design under Base->Panels->Custom Appliance Panel. Once the panel is placed on the floor plan, the CAP wizard will pop-up and dimensions can be specified



Universal Custom Appliance Panel-Frame Only

UCAPFO

- Universal Frame Only panels have a 3/32" radius on both inside and outside edges of stiles and rails
- Frame Only panels will **not** be supplied with applied molding on applicable door styles
- 7" wide door panels will be supplied as a slab design with profiled edges if frame stiles are wider than 3"
- Stile and rail sizes can be modified
- Backs are finished
- **Not** available in EverCore™, High-Gloss Foil, Thermofoil or Wood-Grain Foil door styles
- Panels are automatically drilled for Permaset Bumpers
- Panels will receive a single cup hinge bore for internal tracking purposes

Frame	
Minimum Width	7"
Maximum Width	30"
Minimum Height	10"

Top & Bottom Rail Height	
Minimum Width	1 1/2"
Maximum Width	12"

Right & Left Stile Width	
Minimum Width	1 1/2"
Maximum Width	5"



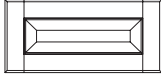
Use with wine chillers that have framed glass doors



Custom Appliance Panels (CAP) are located in 2020 Design under Base->Panels->Custom Appliance Panel. Once the panel is placed on the floor plan, the CAP wizard will pop-up and dimensions can be specified

Custom Appliance Panel–Drawer Onlay Panel

CAPDW



Onlay Panel	
Minimum Width	6"
Maximum Width	48"* , 60"***
Minimum Height	2 1/4"
Maximum Height	30" , 20"

*Max width is 48" when ordered taller than 20" (Max height is 30")

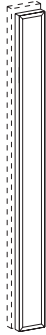
**Max width is 60" when ordered

- Five-piece grill panels/drawer heads ordered in heights less than 6 1/8" may be supplied as a solid slab onlay panel. Some five-piece drawer fronts may have a recessed center panel
- Drawer front configuration will follow the selected door style
- Veneer raised panel door styles will be supplied with a solid wood center panel machined to resemble the veneer center panel
- **Not** available in EverCore™, High-Gloss Foil, Thermofoil or Wood-Grain Foil door styles
- "Width" will be referred to as "Length" on your faxed acknowledgments for CAPDW only
- If unit is installed at an angle, fillers should be used to avoid interference with adjacent cabinet
- Stiles and rails will be the same size and profile as the selected door style
- DRPD and CLDF options are available for applicable door styles only
- Backs are finished

Custom Filler Overlay

CFOL

- Slab design only



Matching Outside Profile			
Min. Width	Max. Width	Min. Height	Max. Height
2 5/8"	8"	6"	96"

APDW

code

Material dimensions listed may vary slightly from actual dimensions of the product.

Specifications subject to change without notice.

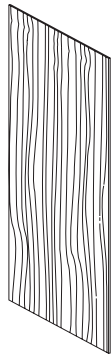
Decorative Appliance Panel—General Guidelines

- Specific panel dimensions can be recorded and the panels will be finished to your specifications
- Check appliance manufacturer's specifications for any additional material, such as shims, spacers, etc., that may be needed before placing any order. Spacer panels are **not** supplied
- If a veneer center panel door style is selected, appliance panel doors will have a solid wood center panel machined to resemble the veneer center panel
- Grain orientation will match that of the selected door style
- Stiles and rails will be the same size and profile as the selected door style
- Onlay panels will react to climate conditions causing varying degrees of joint separation. This is a natural reaction in wood product and therefore is **not** covered under warranty
- Door sizes are limited to 1/16" increments

Decorative Appliance Panel—Pricing Method

- General Pricing Rules:
- Using the outer most dimension of each panel, the width and height should be converted into a decimal form. Examples: 21 9/16" = 21.5625; 58 7/16" = 58.4375, etc.
- Calculated dimensions will be rounded using the standard rounding method (down from 4 and up from 5) to the nearest 10,000th place. Example: 8.7504069 will round to 8.7504
- List prices will be rounded up to the nearest dollar from .01 cents. Example: \$179.01 will become \$180
- Please use the following instructions to determine the LIST PRICE of each panel, remembering to use the rounding method mentioned above
- Start by taking the panel width and height, in decimal form, and multiply the two numbers together giving you the total square inches. Example: (21 9/16") 21.5625 x (58 3/8") 58.4375 = 1260.058594 sq. in., which rounds to 1260.0586 sq. in.
- Next, you need to convert sq. in. into sq. ft. by taking the sq. in. figure and dividing that number by 144. Example: 1260.0586 ÷ 144 = 8.7504069 sq. ft., which rounds to 8.7504 sq. ft.
- Next, multiply the total sq. ft. by the appropriate sq. ft. list price to get the total list price. Example 8.7504 x \$128 = 1120.05, which rounds to \$1121 list price
- **Note:** Prices shown above are merely examples and are **not** actual list prices

Decorative Panel-Back Panel

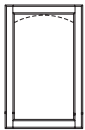


APWSK

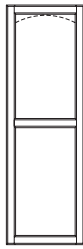
Back Panel	
Minimum Width	4 1/2"
Maximum Width	48"
Minimum Height	3/4"
Maximum Height	96"

- Approximately 3/16" thick
- Back Panels will match the wood species and the color of the selected door style and finish and can be used with or without onlay panels to decorate any appliance
- Plain sawn material supplied for Bristow Crafted door styles
- Wood veneer engineered wood
- Finished one side only
- Quartersawn door styles are quartersawn wood veneer
- Painted or Stained hardwood supplied for Wood-Grain Foil door styles
- Edges are unfinished with no edgebanding
- Painted hardwood supplied for EverCore™ and Thermofoil door styles. A matching matte panel will be supplied when ordered in High-Gloss Foil door styles

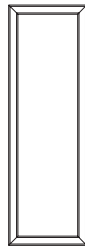
Decorative Panel-Door Onlay Panel and Hinge Doors



10"-55"
High



54 15/16" - 80"
High

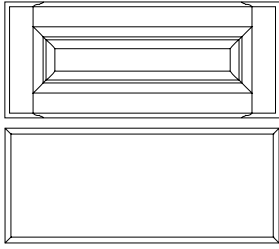


Mitered

Onlay Panel	
Minimum Width	8"
Maximum Width	30"
Minimum Height	12"
Maximum Height	80"

APDRL .B or W APDRR .B or W APDRNH .B or W

- Doors and onlay panels ordered 10"–55" high will have a single center panel
- Doors and onlay panels ordered 55 1/16" – 80" will have a double center panel (a horizontal center rail will equally divide the onlay panel)
- Mitered door styles will have a single center panel, regardless of height
- When an arched door style is selected, you **must** select Arched (+W) or Square (+B) to determine the door and onlay panel's top profile
- When a square door style is selected, the square profile will be supplied for all onlay panels as standard. It is recommended to use a square profile when ordering an onlay panel for a dishwasher or trash compactor application
- Multiple doors and panels of identical size may be ordered by listing the quantity needed. The quantity will default to one if a number is **not** given
- 7" wide door panels will be supplied as a slab design with profiled edges if frame stiles are wider than 3"
- Veneer raised panel door styles will be supplied with a solid wood center panel machined to resemble the veneer center panel
- Due to varying dimensions and designs of raised center panels, recessed center panels may be supplied when the center panel width or height is less than 3 1/4"
- Hinging for doors:
Doors 10" to 36" get two hinge holes
Doors 36 1/6" to 48" get three hinge holes
Doors 48 1/16" to 80" get four hinge holes
- Backs are finished
- Doors are automatically drilled for Permaset Bumpers
- Doors ordered with the No Hinge (NH) option will receive a single cup hinge bore for internal tracking purposes
- **Note:** Check appliance manufacturer's specs for any additional material (shims, spacers, etc.) that may be needed before placing any order. Appliance model numbers are **not** sufficient, numeric dimensions **must** be used when ordering



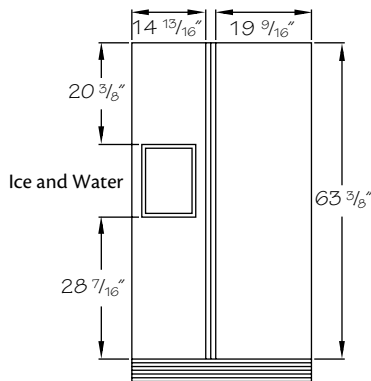
Decorative Panel–Drawer Onlay Panel

APDW

Onlay Panel	
Minimum Width	6"
Maximum Width	48"
Minimum Height	2 1/4"
Maximum Height	30"

- APDW will follow the selected door style's drawer front configuration
- Five-piece grill panels/drawer heads ordered in heights less than 6 1/8" may be supplied as a solid slab onlay panel. Some five-piece drawer fronts may have a recessed center panel
- The Drawer Onlay Panel will be constructed like door when Wood-Grain Foils door styles are ordered
- "Width" will be referred to as "Length" on your faxed acknowledgments for APDW only
- If unit is installed at an angle, fillers should be used to avoid interference with adjacent cabinet
- Veneer raised panel door styles will be supplied with a solid wood center panel machined to resemble the veneer center panel
- Backs are finished
- **Note:** Check appliance manufacturer's specs for any additional material (shims, spacers, etc.) that may be needed before placing any order. Appliance model numbers are **not** sufficient, numeric dimensions **must** be used when ordering

Decorative Panel/Replacement Door and Drawer Front

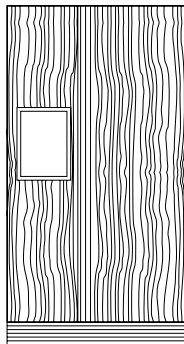


- Decorative panels can be easily created using paneling and replacement door and drawer fronts
- Example: Create a decorative panel for this side by side refrigerator
- **Note:** In most cases, doors will be narrower than the refrigerator door and portions of the refrigerator door paneling will be exposed. Advise your customers that this "reveal" will be present and that cabinet doors will **not** completely overlay the refrigerator door



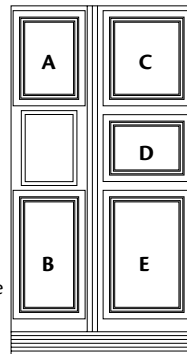
When applying Replacement Doors to a WSK remember to allow enough room for access to the appliance door handle

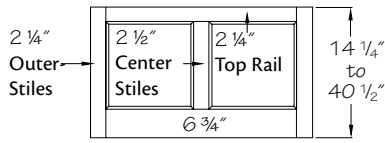
Option 1:
Order and Install:
WSK3684



Option 2:
Order and Install:
1 - WSK3684
1 - RDB1218 (Door "A")
1 - RDB1224 (Door "B")
1 - RD1818 (Door "C")
1 - RD1815 (Door "D")
1 - RD1824 (Door "E")

Size of refrigerator may vary and door sizes may need to be changed





Decorative Panel—Wainscot

WAIN01

Standard		Shaker	
Panel Width	# Panels	Panel Width	# Panels
8"-25"	1	8"-13"	1
25 1/6" - 48"	2	13 1/6" - 20"	2
48 1/6" - 72"	3	20 1/6" - 29"	3
72 1/6" - 96"	4	29 1/6" - 35"	4
		35 1/6" - 48"	5
		48 1/6" - 60"	6
		60 1/6" - 72"	7
		72 1/6" - 84"	8
		84 1/6" - 96"	9

Panel	Min.	Max.
Width:	7"	96"
Height:	14 1/4"	40 1/2"

- Veneer raised panel door styles will be supplied with a solid wood center panel machined to resemble the veneer center panel
- **Not** available in EverCore™, High-Gloss Foil or Wood-Grain Foil door styles
- **Not** available in mitered door styles
- **Not** available in slab door styles
- Shaker door styles are Atticus
- 7" wide door panels will be supplied as a slab design with profiled edges if frame stiles are wider than 3"

Paneling

Construction Options and Modifications

APC All Plywood Construction
 CW Change Width
 CH Change Height

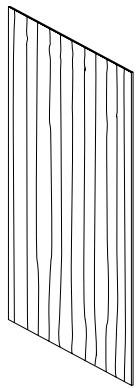
WSK	12	30
code	width	height

- ❖ Included as standard
- Available with an upcharge
- ☆ Available with exceptions
- (Blank) **Not** available

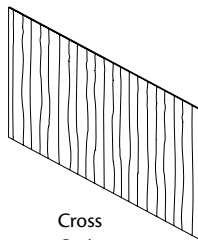
Material dimensions listed may vary slightly from actual dimensions of the product.

Specifications subject to change without notice.

Wood Veneer Paneling



Standard Grain Panel



Cross Grain Panel

Engineered Wood Code

- | | Width x Height x Thickness |
|-------------------|----------------------------|
| ◆ WPL4834 | 48" x 34 1/2" x 3/8" |
| ◆ WPL9634 | 96" x 34 1/2" x 3/8" |
| ◆ WPL4848 | 48" x 48" x 3/8" |
| ◆☆ WPL9648 | 96" x 48" x 3/8" |
| ※ WPL4896 | 48" x 96" x 3/8" |

Plywood Code

- | | Width x Height x Thickness |
|--------------------|----------------------------|
| WSK1230 | 11 1/4" x 30" x 3/16" |
| WSK2134 | 20 1/4" x 34 1/2" x 3/16" |
| WSK2434 | 23 1/4" x 34 1/2" x 3/16" |
| WSK2136 | 20 1/4" x 36" x 3/16" |
| WSK1248 | 11 1/4" x 48" x 3/16" |
| ◆■ WSK4848 | 48" x 48" x 3/16" |
| ◆■☆ WSK9648 | 96" x 48" x 3/16" |
| WSK1284 | 11 1/4" x 84" x 3/16" |
| WSK2484 | 23 1/4" x 84" x 3/16" |
| WSK3684 | 36" x 84" x 3/16" |
| WSK1287 | 11 1/4" x 87" x 3/16" |
| WSK2487 | 23 1/4" x 87" x 3/16" |
| WSK2188 | 20 1/4" x 88 1/2" x 3/16" |
| WSK1290 | 11 1/4" x 90" x 3/16" |
| WSK2490 | 23 1/4" x 90" x 3/16" |
| WSK1293 | 11 1/4" x 93" x 3/16" |
| WSK2493 | 23 1/4" x 93" x 3/16" |
| WSK1296 | 11 1/4" x 96" x 3/16" |
| WSK2496 | 23 1/4" x 96" x 3/16" |
| WSK3696 | 36" x 96" x 3/16" |
| WSK12108 | 11 1/4" x 108" x 3/16" |
| WSK12120 | 11 1/4" x 120" x 3/16" |
| WSK24108 | 23 1/4" x 108" x 3/16" |
| WSK24120 | 23 1/4" x 120" x 3/16" |
| WSK36108 | 36" x 108" x 3/16" |
| WSK36120 | 36" x 120" x 3/16" |

- ◆ Cross grain panel for peninsula application
- ※ Change Width (CW) and Change Height (CH) are only available on these items
- Quartersawn door styles are supplied plain sawn

- Quartersawn door styles are quartersawn wood veneer
- Painted hardwood supplied for EverCore™ and Thermofoil
- Painted or Stained hardwood supplied for Wood-Grain Foil door styles
- Crafted Cherry and Maple door styles supplied plain sawn
- Finished one side only
- Edges are unfinished with no edgbanding
- ☆ APC is optional for WPL



Remember to order "Furniture Ends" (FPEB) or a Wood Skin (WSK) for wall cabinets that will be at the end of a run when applying decorative moldings. This will result in a flush application on the return.



Remember to order a 3/16" skin (WSK) for the exposed ends of 93" & 96" high cabinets to conceal the seam between the loose toe kick and the cabinet.

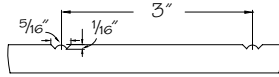
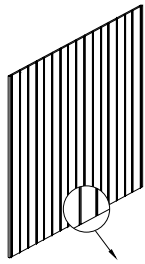


Remember, the grain on paneling normally runs along the length of the panel. Cross grain means grain goes with the short edge.

☆	APC
☆	CW
☆	CH

Beaded Paneling

APC
CW
CH



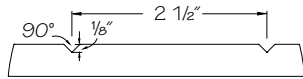
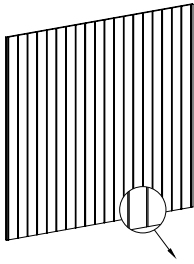
BEPL4834
BEPL4848
BEPL4896

Width x Height x Thickness
 48" x 34 1/2" x 3/8"
 48" x 48" x 3/8"
 48" x 96" x 3/8"

- Plywood construction
- Grooves are 3" on center
- Material may need to be trimmed to ensure proper groove spacing when butting panels together
- Quartersawn door styles are supplied plain sawn
- Painted hardwood supplied for EverCore™
- Painted or Stained hardwood supplied for Wood-Grain Foil door styles

V-Groove Paneling

APC
CW
CH



VGRPL4834
VGRPL4896

Width x Height x Thickness
 48" x 34 1/2" x 3/8"
 48" x 96" x 3/8"

- Plywood construction
- Grooves are 2 1/2" on center
- Material may need to be trimmed to ensure proper groove spacing when butting panels together
- Crafted or Quartersawn door styles will be supplied in plain sawn wood
- Painted hardwood supplied for EverCore™
- Painted or Stained hardwood supplied for Wood-Grain Foil door styles

Specialty Panels



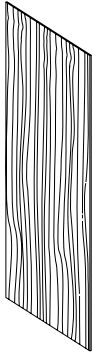
Code	Width x Height	
SPL4830	48" x 30"	
■ SPL9630	96" x 30"	
SPL4836	48" x 36"	
■ SPL9636	96" x 36"	
SPL4840	48" x 40"	
■ SPL9640	96" x 40"	
SPL4848	48" x 48"	
■ SPL9648	96" x 48"	
SPL2796	27" x 96"	
SPL3296	32" x 96"	
SPL4896	48" x 96"	
<i>For 12" High Walls</i>		
SPL1212	11 7/8" x 12"	
SPL1512	14 7/8" x 12"	
SPL1812	17 7/8" x 12"	
SPL2112	20 7/8" x 12"	
SPL2412	23 7/8" x 12"	
<i>For 15" High Walls</i>		
SPL1215	11 7/8" x 15"	
SPL1515	14 7/8" x 15"	
SPL1815	17 7/8" x 15"	
SPL2115	20 7/8" x 15"	
SPL2415	23 7/8" x 15"	
<i>For 18" High Walls</i>		
SPL1218	11 7/8" x 18"	
SPL1518	14 7/8" x 18"	
SPL1818	17 7/8" x 18"	
SPL2118	20 7/8" x 18"	
SPL2418	23 7/8" x 18"	
<i>For 21" High Walls</i>		
SPL1221	11 7/8" x 21"	
SPL1521	14 7/8" x 21"	
SPL1821	17 7/8" x 21"	
SPL2121	20 7/8" x 21"	
SPL2421	23 7/8" x 21"	
<i>For 24" High Walls</i>		
SPL1224	11 7/8" x 23 1/2"	
SPL1524	14 7/8" x 23 1/2"	
SPL1824	17 7/8" x 23 1/2"	
SPL2124	20 7/8" x 23 1/2"	
SPL2424	23 7/8" x 23 1/2"	
<i>For 29" High Desk Cabinets</i>		
SPL1225	11 7/8" x 24 1/2"	
SPL1525	14 7/8" x 24 1/2"	
SPL1825	17 7/8" x 24 1/2"	
SPL2125	20 7/8" x 24 1/2"	
SPL2425	23 7/8" x 24 1/2"	
* SPL2429	23 7/8" x 29"	
<i>For 27" High Walls</i>		
SPL1227	11 7/8" x 27"	
SPL1527	14 7/8" x 27"	
SPL1827	17 7/8" x 27"	
SPL2127	20 7/8" x 27"	
SPL2427	23 7/8" x 27"	
<i>For 30" High Walls and 34 1/2" High Bases and Vanities</i>		
SPL1230	11 7/8" x 30"	
SPL1530	14 7/8" x 30"	
SPL1830	17 7/8" x 30"	
SPL2130	20 7/8" x 30"	
<i>For 30" High Walls and 34 1/2" High Bases</i>		
SPL2430	23 7/8" x 30"	
<i>For 33" High Walls</i>		
SPL1233	11 7/8" x 33"	
SPL1533	14 7/8" x 33"	
SPL1833	17 7/8" x 33"	
SPL2133	20 7/8" x 33"	
SPL2433	23 7/8" x 33"	
<i>For 34 1/2" High Vanities</i>		
* SPL2134	20 7/8" x 34 1/2"	
* SPL2434	23 7/8" x 34 1/2"	
<i>For 36" High Walls and 40 1/2" High Bases</i>		
SPL1236	11 7/8" x 36"	
SPL1536	14 7/8" x 36"	
SPL1836	17 7/8" x 36"	
SPL2136	20 7/8" x 36"	
SPL2436	23 7/8" x 36"	
<i>For 39" High Walls</i>		
SPL1239	11 7/8" x 39"	
SPL1539	14 7/8" x 39"	
SPL1839	17 7/8" x 39"	
SPL2139	20 7/8" x 39"	
SPL2439	23 7/8" x 39"	
<i>For 42" High Walls</i>		
SPL1242	11 7/8" x 42"	
SPL1542	14 7/8" x 42"	
SPL1842	17 7/8" x 42"	
SPL2142	20 7/8" x 42"	
SPL2442	23 7/8" x 42"	
<i>For 45" High Wall Microwaves</i>		
SPL1245	11 7/8" x 45"	
SPL1845	17 7/8" x 45"	
SPL2145	20 7/8" x 45"	
SPL2445	23 7/8" x 45"	
<i>For 48" High Walls</i>		
SPL1248	11 7/8" x 48"	
SPL1548	14 7/8" x 48"	
SPL1848	17 7/8" x 48"	
SPL2148	20 7/8" x 48"	
SPL2448	23 7/8" x 48"	
<i>For 54" High Walls</i>		
SPL1254	11 7/8" x 54"	
SPL1554	14 7/8" x 54"	
SPL1854	17 7/8" x 54"	
SPL2154	20 7/8" x 54"	
SPL2454	23 7/8" x 54"	
<i>For 60" High Talls</i>		
SPL1259	11 7/8" x 55 1/2"	
SPL1559	14 7/8" x 55 1/2"	
SPL1859	17 7/8" x 55 1/2"	
SPL2159	20 7/8" x 55 1/2"	
SPL2459	23 7/8" x 55 1/2"	
<i>For 60" High Wall Microwaves</i>		
SPL1260	11 7/8" x 60"	
SPL1560	14 7/8" x 60"	
SPL1860	17 7/8" x 60"	
SPL2160	20 7/8" x 60"	
* SPL2460	23 7/8" x 60"	
<i>For 84" High Talls</i>		
SPL1280	11 7/8" x 79 1/2"	
SPL1580	14 7/8" x 79 1/2"	
SPL1880	17 7/8" x 79 1/2"	
SPL2180	20 7/8" x 79 1/2"	
SPL2480	23 7/8" x 79 1/2"	
* SPL2484	23 7/8" x 84"	
<i>For 87" High Talls</i>		
SPL1283	11 7/8" x 82 1/2"	
SPL1583	14 7/8" x 82 1/2"	
SPL1883	17 7/8" x 82 1/2"	
SPL2183	20 7/8" x 82 1/2"	
SPL2483	23 7/8" x 82 1/2"	
* SPL2487	23 7/8" x 87"	
<i>For 88 1/2" High Vanities</i>		
SPL1284	11 7/8" x 84"	
SPL1584	14 7/8" x 84"	
SPL1884	17 7/8" x 84"	
SPL2184	20 7/8" x 84"	
<i>For 90" High Talls</i>		
SPL1285	11 7/8" x 85 1/2"	
SPL1585	14 7/8" x 85 1/2"	
SPL1885	17 7/8" x 85 1/2"	
SPL2185	20 7/8" x 85 1/2"	
SPL2485	23 7/8" x 85 1/2"	
* SPL2490	23 7/8" x 90"	
<i>For 93" High Talls</i>		
SPL1288	11 7/8" x 88 1/2"	
SPL1588	14 7/8" x 88 1/2"	
SPL1888	17 7/8" x 88 1/2"	
SPL2188	20 7/8" x 88 1/2"	
SPL2488	23 7/8" x 88 1/2"	
* SPL2493	23 7/8" x 93"	
<i>For 96" High Talls</i>		
SPL1291	11 7/8" x 91 1/2"	
SPL1591	14 7/8" x 91 1/2"	
SPL1891	17 7/8" x 91 1/2"	
SPL2191	20 7/8" x 91 1/2"	
SPL2491	23 7/8" x 91 1/2"	
* SPL2496	23 7/8" x 96"	

APC
CW
CH

- 3/4" thick
- Panels are made to blend with cabinet doors
- Backs of High gloss panels are matte and correspond in color to the face
- Available for High-Gloss Foil and Wood-Grain Foil door styles only
- Wood-Grain Foil door styles default to vertical design slab

- Not available in Wood-Grain Foil door styles
- * Covers the entire end panel
- ▲ Covers the entire end panel of 60" High Talls

Printed Woodgrain Laminate Paneling



<i>Exterior (matching) one side</i>		<i>Width x Height x Thickness</i>
VSK1230		11 1/4" x 30" x 1/8"
VSK2134		20 1/4" x 34 1/2" x 1/8"
VSK2434		23 1/4" x 34 1/2" x 1/8"
VSK4834		48" x 34 1/2" x 1/8"
VSK2136		20 1/4" x 36" x 1/8"
VSK1248		11 1/4" x 48" x 1/8"
VSK1284		11 1/4" x 84" x 1/8"
VSK2484		23 1/4" x 84" x 1/8"
VSK1287		11 1/4" x 87" x 1/8"
VSK2487		23 1/4" x 87" x 1/8"
VSK2188		20 1/4" x 88 1/2" x 1/8"
VSK1290		11 1/4" x 90" x 1/8"
VSK2490		23 1/4" x 90" x 1/8"
VSK1293		11 1/4" x 93" x 1/8"
VSK2493		23 1/4" x 93" x 1/8"
VSK1296		11 1/4" x 96" x 1/8"
VSK2496		23 1/4" x 96" x 1/8"
* VSK4896		48" x 96" x 1/8"
VPL4834 EXT1		48" x 34 1/2" x 1/2"
* VPL4896 EXT1		48" x 96" x 1/2"
<i>Exterior (matching) two sides</i>		<i>Width x Height x Thickness</i>
VPL4834 EXT2		48" x 34 1/2" x 1/2"
* VPL4896 EXT2		48" x 96" x 1/2"
<i>Interior (Natural Birch) one side</i>		<i>Width x Height x Thickness</i>
VSK4848 INT		48" x 48" x 1/8"
VSK4896 INT		48" x 96" x 1/8"
VPL4848 INT1		48" x 48" x 1/2"
* VPL4896 INT1		48" x 96" x 1/2"
<i>Interior (Natural Birch) two sides</i>		<i>Width x Height x Thickness</i>
* VPL4896 INT2		48" x 96" x 1/2"

* Change Width (CW) and Change Height (CH) are only available on these items

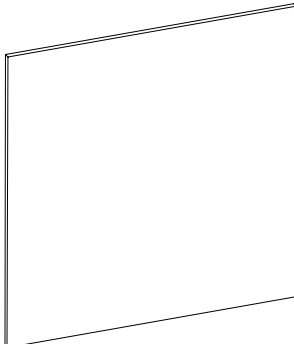
APC
☆ CW
☆ CH

- Printed wood grain laminate paneling is finished one side except as indicated
- Edges are unfinished with no edgbanding
- Quartersawn door styles are supplied plain sawn



Remember that most flat panels will **not** take glaze finishes like doors and molding due to little or no hang-up. When choosing a glaze finish, consider using a matching end panel on exposed ends of cabinets.

CoreGuard® Panel Backer



	<i>Width x Height x Thickness</i>
CGPB36	34 29/64" x 26 13/32" x 1/8"

- | |
|-----|
| APC |
| CW |
| CH |
- Light beige engineered polymer
 - Used to patch backs of CoreGuard® cabinets

Shelving

Construction Options and Modifications

APC	All Plywood Construction
MI	Matching Interior
CW	Change Width
RD	Reduced Depth
ID	Increased Depth

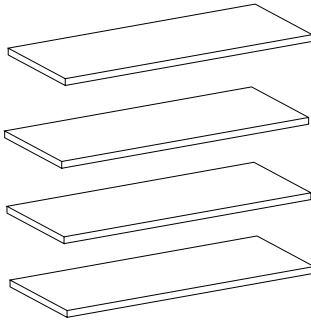
SK	15	24
code	width	height

- ❖ Included as standard
- Available with an upcharge
- ☆ Available with exceptions
- (Blank) **Not** available

Material dimensions listed may vary slightly from actual dimensions of the product.

Specifications subject to change without notice.

Shelf Kits



12" Deep

- SK912
- SK1212
- SK1512
- SK1812
- SK2112
- SK2412
- SK2712
- SK3012
- SK3312
- SK3612

18" Deep

- SK918
- SK1218
- SK1518
- SK1818
- SK2118
- SK2418
- SK2718
- SK3018
- SK3318
- SK3618

21" Deep

- SK921
- SK1221
- SK1521
- SK1821
- SK2121
- SK2421
- SK2721
- SK3021
- SK3321
- SK3621

24" Deep

- SK924
- SK1224
- SK1524
- SK1824
- SK2124
- SK2424
- SK2724
- SK3024
- SK3324
- SK3624

For Operational End Option
12" Deep

- SK912 .OE
- SK1212 .OE
- SK1512 .OE
- SK1812 .OE
- SK2112 .OE
- SK2412 .OE
- SK2712 .OE
- SK3012 .OE
- SK3312 .OE
- SK3612 .OE

For Operational End Option
18" Deep

- SK918 .OE
- SK1218 .OE
- SK1518 .OE
- SK1818 .OE
- SK2118 .OE
- SK2418 .OE
- SK2718 .OE
- SK3018 .OE
- SK3318 .OE
- SK3618 .OE

For Operational End Option
21" Deep

- SK921 .OE
- SK1221 .OE
- SK1521 .OE
- SK1821 .OE
- SK2121 .OE
- SK2421 .OE
- SK2721 .OE
- SK3021 .OE
- SK3321 .OE
- SK3621 .OE

For Operational End Option
24" Deep

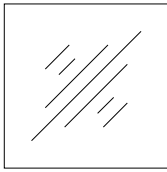
- SK924 .OE
- SK1224 .OE
- SK1524 .OE
- SK1824 .OE
- SK2124 .OE
- SK2424 .OE
- SK2724 .OE
- SK3024 .OE
- SK3324 .OE
- SK3624 .OE

- Four 3/4" printed wood grain laminated shelves
- Edgebanded one long edge
- Operational End Shelves (.OE) are edgebanded on the front, right and left edges to ensure a finished edge on shelves when the side door is open
- ☆ Reduced Depth (RD) and Increased Depth (ID) is **not** available on the Operational End Shelves (.OE)
- Increase Depth (ID) available on 24" deep shelves only, up to 27" deep
- Sixteen shelf clips included
- Recommended for tall cabinets

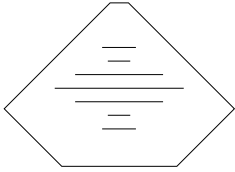
●	APC
●	MI
☆	CW
☆	RD
☆	ID

○ Change Width (CW) option **not** available

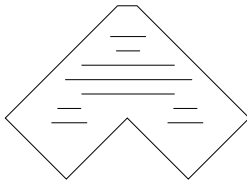
Glass Shelf Kits



GSK



GSKWA



GSKWZ

- **GSK9**
- **GSK12**
- **GSK15**
- **GSK18**
- **GSK21**
- **GSK24**
- **GSK27**
- ◆ **GSK30**
- ◆ **GSK33**
- ◆ **GSK36**
- ◆ **GSK39**
- ◆ **GSK42**
- ◆ **GSK45**
- ◆ **GSK48**
- ▲ **GSK1815**
- **GSK1218**
- **GSK1518**
- **GSK1818**
- **GSK1221**
- **GSK1521**
- **GSK1821**
- **GSK2124**
- For Wall Angle
- **GSKWA24**
- **GSKWA27**
- For Peninsula Wall Angle
- **GSKPWA**
- For Easy Reach
- **GSKWZ21**
- **GSKWZ24**
- Change Width (CW) option *not* available
- ◆ **Cannot** be used with W3030 BUTT, W3630 BUTT or any open cabinets 30" or wider. A center stile is needed for support
- ▲ Three shelves per kit
- **Not** available in Reduced Depth (RD)

For cabinets with beaded or V-Groove back

- **VGSK9**
- **VGSK12**
- **VGSK15**
- **VGSK18**
- **VGSK21**
- **VGSK24**
- **VGSK27**
- **VGSK30**
- **VGSK33**
- **VGSK36**
- **VGSK39**
- **VGSK42**
- **VGSK45**
- **VGSK48**
- **VGSK1218**
- **VGSK1518**
- **VGSK1818**
- **VGSK1221**
- **VGSK1521**
- **VGSK1821**
- **VGSKWA24**
- **VGSKWA27**
- **VGSKWZ21**
- **VGSKWZ24**

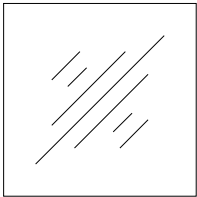
For cabinets with increased depth

- **GSK9 .ID15**
- **GSK12 .ID15**
- **GSK15 .ID15**
- **GSK18 .ID15**
- **GSK21 .ID15**
- **GSK24 .ID15**
- For cabinets with beaded or V-Groove back and increased depth
- **VGSK9 .ID15**
- **VGSK12 .ID15**
- **VGSK15 .ID15**
- **VGSK18 .ID15**
- **VGSK21 .ID15**
- **VGSK24 .ID15**

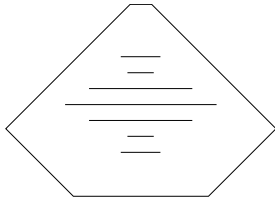
APC
MI
☆ CW
☆ RD
ID

- Fits peninsula and standard wall cabinets
- Includes two 1/4" glass shelves polished edge all four sides and 12 glass shelf rests
- Glass shelves **cannot** be field installed in a WA 24" high; the opening is **not** large enough
- Tempered glass
- ☆ Minimum Reduced Depth (RD) is 9"

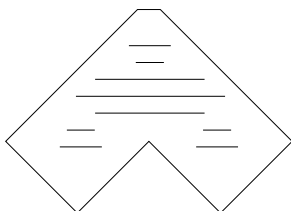
Glass Shelf Kit w/Adjustable Shelf Clips



AGSK



AGSKWA



AGSKWZ

- **AGSK12**
- **AGSK15**
- **AGSK18**
- **AGSK21**
- **AGSK24**
- **AGSK27**
- ◆ **AGSK30**
- ◆ **AGSK33**
- ◆ **AGSK36**
- ◆ **AGSK39**
- ◆ **AGSK42**
- ◆ **AGSK45**
- ◆ **AGSK48**
- ▲ **AGSK1815**
- **AGSK1218**
- **AGSK1518**
- **AGSK1818**
- **AGSK1221**
- **AGSK1521**
- **AGSK1821**
- **AGSK2124**
- For Wall Angle
- **AGSKWA24**
- **AGSKWA27**
- For Peninsula Wall Angle
- **AGSKPWA**
- For Easy Reach
- **AGSKWZ24**
- ◆ **Cannot** be used with W3030 BUTT, W3630 BUTT or any open cabinets 30" or wider. A center stile is needed for support
- ▲ Three shelves per kit
- **Not** available in Reduced Depth (RD)
- Change Width (CW) option *not* available

For cabinets with beaded or V-Groove back

- **AVGSK12**
- **AVGSK15**
- **AVGSK18**
- **AVGSK21**
- **AVGSK24**
- **AVGSK27**
- ◆ **AVGSK30**
- ◆ **AVGSK33**
- ◆ **AVGSK36**
- ◆ **AVGSK39**
- ◆ **AVGSK42**
- ◆ **AVGSK45**
- ◆ **AVGSK48**
- **AVGSK1218**
- **AVGSK1518**
- **AVGSK1818**
- **AVGSK1221**
- **AVGSK1521**
- **AVGSK1821**
- **AVGSKWA24**
- **AVGSKWA27**
- **AVGSKWZ24**

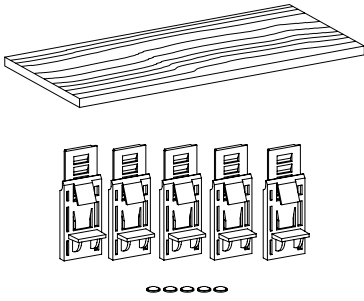
For cabinets with increased depth

- **AGSK12 .ID15**
- **AGSK15 .ID15**
- **AGSK18 .ID15**
- **AGSK21 .ID15**
- **AGSK24 .ID15**
- For cabinets with beaded or V-Groove back and increased depth
- **AVGSK12 .ID15**
- **AVGSK15 .ID15**
- **AVGSK18 .ID15**
- **AVGSK21 .ID15**
- **AVGSK24 .ID15**

APC
MI
☆ CW
☆ RD
ID

- Fits peninsula and standard wall cabinets
- Includes two 1/4" glass shelves polished edge all four sides and ten adjustable shelf clips
- Glass shelves **cannot** be field installed in a WA 24" high; the opening is **not** large enough
- Tempered glass

Replacement Shelving w/Adjustable Shelf Clips



For 12" deep Wall

AWS1212

AWS1512

AWS1812

AWS2112

AWS2412

AWS2712

AWS3012

AWS3312

AWS3612

■ **AWS3912**

■ **AWS4212**

■ **AWS4512**

■ **AWS4812**

For 12" deep Peninsula Wall

APWS1212

APWS1512

APWS1812

APWS2112

APWS2412

APWS2712

APWS3012

APWS3312

APWS3612

■ **APWS3912**

■ **APWS4212**

■ **APWS4512**

■ **APWS4812**

- **Not** available in Increased Depth (ID)
- ▲ **Not** available in Increased Depth (ID) or Reduced Depth (RD)
- Change Width (CW) option **not** available

For Wall Angle

▲○ **AWAS21**

○ **AWAS24**

○ **AWAS27**

For Peninsula Wall Angle

○ **APWAS24**

For Wall Easy Reach

○ **AWEZRS24**

○ **AWEZRS36**

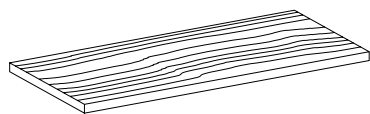
For Peninsula Wall Easy Reach

○ **APWEZRS24**

- 3/4" interior printed wood grain laminate two sides
- Edgebanded one long edge—two edges for peninsula
- Size fits interior of cabinet listed
- Includes one shelf
- Includes five adjustable shelf clips and five slip resistant pads
- Maximum Increased Depth (ID) for peninsula wall shelving is 15"

●	APC
●	MI
☆	CW
●	RD
☆	ID

Replacement Shelving—Walls



For 12" deep Wall

- **WS912**
- WS1212**
- WS1512**
- WS1812**
- WS2112**
- WS2412**
- WS2712**
- WS3012**
- WS3312**
- ◆○ **WS3412**
- WS3612**
- ◆○ **WS3712**
- ◆ **WS3912**
- ◆ **WS4212**
- ◆ **WS4512**
- ◆ **WS4812**

For Wall Refrigerator

- WRS1824**
- WRS2124**
- WRS2424**
- WRS2724**
- WRS3024**
- WRS3324**
- **WRS3424**
- WRS3624**
- **WRS3724**
- WRS3924**

For 12" deep Peninsula Wall

- **PWS912**
- PWS1212**
- PWS1512**
- PWS1812**
- PWS2112**
- PWS2412**
- PWS2712**
- PWS3012**
- PWS3312**
- PWS3612**
- ◆ **PWS3912**
- ◆ **PWS4212**
- ◆ **PWS4512**
- ◆ **PWS4812**

For Wall Angle

- ▲○ **WAS21**
- **WAS24**
- **WAS27**

For Peninsula Wall Angle

- **PWAS24**

For Wall Corner Angle

- **WCAS1212**

For Wall End Corner

- **WECS1212**

For Wall Easy Reach

- **WEZRS21**
- WEZRS24**
- **WEZRS36**
- **WEZRS2421**

For Peninsula Wall Easy Reach

- **PWEZRS24**

- Change Width (CW) option **not** available
- ◆ **Not** available in Increased Depth (ID)
- ▲ **Not** available in Increased Depth (ID) or Reduced Depth (RD)
- † **Not** available with any options

For Wall Open Easy Reach

- **WOEZS924**
- **WOEZS1224**

For Wall Microwave

- **MWCS2718**
- **MWCS3018**
- **MWCS2721**
- **MWCS3021**

For Wall Multi-Storage Pantry

- **WMPBS36**

For Stainless and Aluminum Tambour

- **TSSH24**
- **TSSH30**
- **TSSH36**

For Walls with Beaded or V-Groove backs

- ▲ **FCES30 .RDBO**
- ▲○ **WAS21 .RDBO**
- ▲ **WAS24 .RDBO**
- ▲ **WEZRS21 .RDBO**
- ▲ **WEZRS24 .RDBO**
- ▲ **WEZRS2421 .RDBO**
- ▲ **WEZRS36 .RDBO**
- WRS2424 .RDBO**
- WRS2724 .RDBO**
- WRS3024 .RDBO**
- WRS3324 .RDBO**
- WRS3424 .RDBO**
- WRS3624 .RDBO**
- WRS3724 .RDBO**
- WRS3924 .RDBO**
- WS912 .RDBO**
- WS1212 .RDBO**
- WS1512 .RDBO**
- WS1812 .RDBO**
- WS2112 .RDBO**
- WS2412 .RDBO**
- WS2712 .RDBO**
- WS3012 .RDBO**
- WS3312 .RDBO**
- WS3412 .RDBO**
- WS3612 .RDBO**
- ◆ **WS3712 .RDBO**
- ◆ **WS3912 .RDBO**
- ◆ **WS4212 .RDBO**
- ◆ **WS4512 .RDBO**
- ◆ **WS4812 .RDBO**

For 135° Wall Inside Angle Corner Cabinet

- † **WIACS21**

For 135° Wall Outside Angle Corner Cabinet

- † **WOACS6**

For Operational End Option

- WAS24 .OE**
- WAS27 .OE**
- WEZRS21 .OE**
- WEZRS24 .OE**
- WEZRS2421 .OE**
- WS912 .OE**
- WS1212 .OE**
- WS1512 .OE**
- WS1515 .OE**
- WS1518 .OE**
- WS1521 .OE**
- WS1812 .OE**
- WS1815 .OE**
- WS1818 .OE**
- WS1821 .OE**
- WS2112 .OE**
- WS2412 .OE**
- WS2712 .OE**
- WS3012 .OE**
- WS3312 .OE**
- WS3412 .OE**
- WS3612 .OE**
- WS3712 .OE**
- WS3912 .OE**
- WS4212 .OE**
- WS4512 .OE**
- WS4812 .OE**

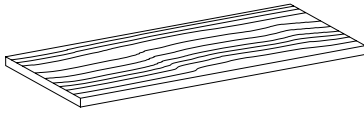
For Integrated Wall Spice Shelf

- WSIWS**

●	APC
●	MI
☆	CW
☆	RD
☆	ID

- 3/4" interior printed wood grain laminate two sides; 3/4" interior Plywood two sides on Beaded or V-Groove replacement shelving
- Edgebanded one long edge—two edges for peninsula
- Operational End Shelves (.OE) are edgebanded on the front, right and left edges to ensure a finished edge on shelves when the side door is open
- ☆ Operational End (OE) is **not** available with Reduced Depth (RD) option
- Size fits interior of cabinet listed
- Maximum Increased Depth (ID) for peninsula wall shelving is 15"
- Maximum Increased Depth (ID) for Wall Refrigerator shelving is 27"
- Includes one shelf
- See Hardware section for shelf clips

Replacement Shelving—Base



●	APC
●	MI
☆	CW
☆	RD
	ID

For 18" deep Base

BS1218
BS1518
BS1818
BS2118
BS2418
BS2718
BS3018
BS3318
BS3618

For 21" deep Base

BS1221
BS1521
BS1821
BS2121
BS2421
BS2721
BS3021
BS3321
BS3621

For 24" deep Base

○ **BS924**
BS1224
BS1524
BS1824
BS2124
BS2424
BS2724
BS3024
BS3324
BS3624
BS3924
BS4224
BS4524
BS4824

For 24" deep Peninsula Base

PBS1224
PBS1524
PBS1824
PBS2124
PBS2424
PBS2724
PBS3024
PBS3324
PBS3624
PBS3924
PBS4224
PBS4524
PBS4824

For 33" wide Utility Cleaning Cabinet

BS1624
BS2427
BS2727
BS3027
BS3327
BS3627
BS3927
BS4227
BS4527
BS4827

○ Change Width (CW) option *not* available

★ *Not* available in Reduced Depth (RD)

† *Not* available with any options

■ Adjustable shelf with wood edging

▲ *Not* available in Increased Depth (ID) or Reduced Depth (RD)

For Base Corner Angle

★○ **BCAS2424**

For Peninsula Base Angle

○ **PBAS36**

For Base End Corner

○ **BECS2424**

For Base End Angle

○ **BEAS1224**

For Easy Reach

○ **BEZRS33**

○ **BEZRS36**

○ **EZRS3633**

For Peninsula Easy Reach

○ **PEZRS33**

○ **PEZRS36**

For Lazy Susan Angle

○ **LSAS36**

For Base Multi-Storage Pantry

○ **MSPBS36**

For Base with Beaded or V-Groove backs

BS1218 .RDBO

BS1221 .RDBO

BS1518 .RDBO

BS1521 .RDBO

BS1818 .RDBO

BS1821 .RDBO

BS1824 .RDBO

BS2118 .RDBO

BS2121 .RDBO

BS2124 .RDBO

BS2418 .RDBO

BS2421 .RDBO

BS2424 .RDBO

BS2718 .RDBO

BS2721 .RDBO

BS2724 .RDBO

BS3018 .RDBO

BS3021 .RDBO

BS3024 .RDBO

BS3318 .RDBO

BS3321 .RDBO

BS3324 .RDBO

BS3618 .RDBO

BS3621 .RDBO

BS3624 .RDBO

For 135° Base Inside Angle Corner Cabinet

† **BIACS21**

For 135° Base Outside Angle Corner Cabinet

† **BOACS6**

For Operational End Option

○ **BS912 .OE**

○ **BS918 .OE**

○ **BS921 .OE**

○ **BS924 .OE**

BS1212 .OE

BS1218 .OE

BS1221 .OE

BS1224 .OE

BS1512 .OE

BS1518 .OE

BS1521 .OE

BS1524 .OE

BS1812 .OE

BS1818 .OE

BS1821 .OE

BS1824 .OE

BS2112 .OE

BS2118 .OE

BS2121 .OE

BS2124 .OE

BS2412 .OE

BS2418 .OE

BS2421 .OE

BS2424 .OE

BS2712 .OE

BS2718 .OE

BS2721 .OE

BS2724 .OE

BS3012 .OE

BS3018 .OE

BS3021 .OE

BS3024 .OE

BS3312 .OE

BS3318 .OE

BS3321 .OE

BS3324 .OE

BS3612 .OE

BS3618 .OE

BS3621 .OE

BS3624 .OE

BS3912 .OE

BS3924 .OE

BS4212 .OE

BS4224 .OE

BS4512 .OE

BS4524 .OE

BS4812 .OE

BS4824 .OE

For Integrated Base Spice Shelf

BSIBSS

For Base Multi-Storage Pantry Swingout

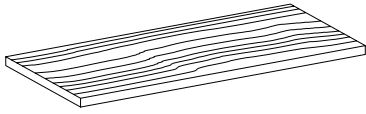
■○▲ **MSPSWS**

For Base Multi-Storage Pantry Door Storage

■○▲ **MSPDSS**

- 3/4" interior printed wood grain laminate two sides; 3/4" interior Plywood two sides on Beaded or V-Groove replacement shelving
- Edgebanded one long edge—two edges for peninsula
- Operational End Shelves (.OE) are edgebanded on the front, right and left edges to ensure a finished edge on shelves when the side door is open
- ☆ Operational End (OE) is *not* available with Reduced Depth (RD) option
- Size fits interior of cabinet listed
- Includes one shelf
- See Hardware section for shelf clips

Replacement Shelving-Vanity



For Mirror Cabinet

MCS17

*For Vanity Wall
Boutique*

◆ **WSVWB24**

MCS24

For Tri-View

TVS24

TVS30

TVS36

TVS48

◆ 3/4" interior printed wood grain laminate
two sides

For Vanity Mirror Angle

VMAS12

For Vanity Wall

VWS12

VWS15

For Wall Hung Vanity

WHVS1218 Offset
18" deep

WHVS1221 Offset
21" deep

- 1/2" interior printed wood grain laminate two sides
- Edgebanded one long edge
- Size fits interior of cabinet listed
- Includes one shelf
- See Hardware section for shelf clips

●	APC
●	MI
	CW
	RD
	ID

Roll-out Trays

Construction Options and Modifications

APC All Plywood Construction
 MI Matching Interior
 CW Change Width

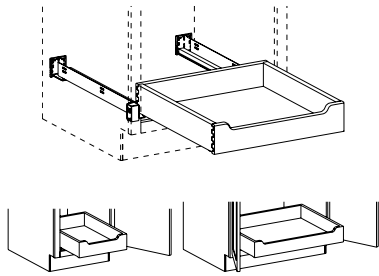
DXROT	12	•24
code	width	depth

- ❖ Included as standard
- Available with an upcharge
- ☆ Available with exceptions
- (Blank) **Not** available

Material dimensions listed may vary slightly from actual dimensions of the product.

Specifications subject to change without notice.

Deluxe Dovetailed Roll-out Tray Factory Installed



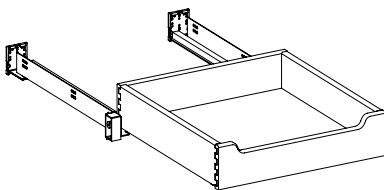
Available only in the width configurations shown

- 1DXROT
- 2DXROT
- 3DXROT
- 4DXROT
- 5DXROT
- 6DXROT

- Roll-out Trays (DROT) are 4" deep, 5/8" solid wood dovetailed sides with 3/16" plywood bottom, notched front and full extension runners with integrated soft close feature
- 18", 21" and 24" depths only
- Single Rollout trays are mounted in the center replacing the adjustable shelf
- Tray location is adjustable
- **Not** available on double door cabinets with a center stile; **must** be ordered on cabinets with BUTT doors. **Not** available with Mullion Strip options (MSB, MSPBK, MSUB, MSOTB).
- Order Example:
B30Butt-2DXROT; B36BUTT-1DXROT
- **Not** available with 39", 42", 45", or 48" wide cabinets
- Trays are **not** evenly spaced
- Order Example:

APC
 MI
 CW

Deluxe Dovetailed Roll-out Tray Field Installation



Deluxe Dovetailed Roll-out Tray Field Installation Chart

Cabinet	(Max) #DXROT's
Base	3
Base•FH	4
Base•FH•40	5
Tall	10
Desk	2
Desk•FH	3
Vanity	3
Vanity•FH	4
VLC 88 1/2" H	6 (Top) 4 (Bottom)

- DXROT12.24 .21 .18
- DXROT15.24 .21 .18
- DXROT18.24 .21 .18
- DXROT21.24 .21 .18
- DXROT24.24 .21 .18
- DXROT27.24 .21 .18
- DXROT30.24 .21 .18
- DXROT33.24 .21 .18
- DXROT36.24 .21 .18

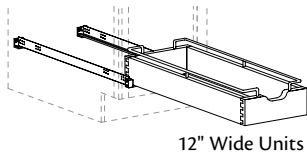
○ Change Width (CW) option **not** available

- Roll-out Trays (ROT) are 4" deep, 5/8" solid wood dovetailed sides with 3/16" plywood bottom, notched front and full extension runners with integrated buffer
- 18", 21" and 24" depths only
- Tray location is adjustable
- Mounting hardware and runners included
- Order Example:
For U182484—order DXROT18•24
For B15L—order DXROT15•24
For VB1518R—order DXROT15•18
For VB15L—order DXROT15•21

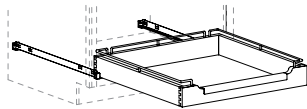
APC
 MI
 ☆ CW

Chrome Deluxe Roll-out Tray Factory Installed

APC
MI
CW



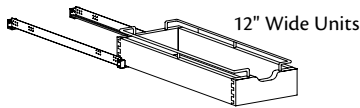
12" Wide Units



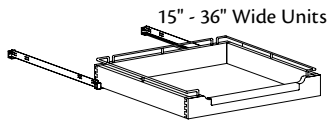
15" - 36" Wide Units

- 1SDXROT
- 2SDXROT
- 3SDXROT
- 4SDXROT
- 5SDXROT
- 6SDXROT

- Roll-out Trays (ROT) are 5" deep, including rails, 5/8" solid wood dovetailed sides with 1 1/2" chrome rails on sides and back, 3/16" plywood bottom, notched front with chrome pull and full extension runners with integrated buffer
- 18", 21" and 24" depths only
- Shelves are eliminated when this option is selected
- Tray location is adjustable
- **Not** available on double door cabinets with a center stile; must be ordered on cabinets with BUTT doors. Not available with Mullion Strip options (MSB, MSPBK, MSUB, MSOTB)
- Order Chrome Deluxe Roll-out (SDXROT) for cabinets that do **not** have center stiles; includes cabinets with BUTT doors. Order Example: B36BUTT-2SDXROT; B24L-2SDXROT
- Full-width trays **not** available in 39", 42", 45" or 48"
- Trays are **not** evenly spaced
- Mounting hardware and runners included
- Front chrome pullout is **not** included on trays for 12" wide cabinets
- Order Example:
Installed—U182484L-3SDXROT
Installed—B15L-2SDXROT
Installed—B36BUTT-2SDXROT



12" Wide Units



15" - 36" Wide Units

Chrome Deluxe Roll-out Tray Field Installation Chart

Cabinet	(Max) #SDXROTs
Base	3
Base•FH	4
Base•FH•40	5
Tall	10
Desk	2
Desk•FH	3
Vanity	3
Vanity•FH	4
VLC 88 1/2" H	6 (Top) 4 (Bottom)

Chrome Deluxe Roll-out Tray Field Installation

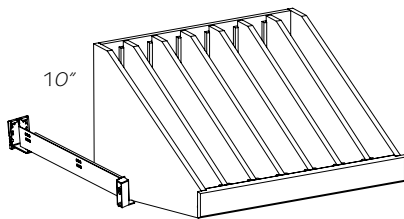
APC
MI
CW

- SDXROT12.24.21.18
- SDXROT15.24.21.18
- SDXROT18.24.21.18
- SDXROT21.24.21.18
- SDXROT24.24.21.18
- SDXROT27.24.21.18
- SDXROT30.24.21.18
- SDXROT33.24.21.18
- SDXROT36.24.21.18

- Roll-out Trays (SDXROT) are 5 1/2" deep, including rails, 5/8" solid wood dovetailed sides with 1 1/2" chrome rails on sides and back, 3/16" plywood bottom, notched front with chrome pull and full extension runners with integrated soft close feature
- 18", 21" and 24" depths only
- Single Rollout trays are mounted in the center replacing the adjustable shelf
- Tray location is adjustable
- **Not** available on double door cabinets with a center stile; **must** be ordered on cabinets with BUTT doors. **Not** available with Mullion Strip options (MSB, MSPBK, MSUB, MSOTB).
- **Not** available with 39", 42", 45", or 48" wide cabinets
- Trays are **not** evenly spaced
- Order Example:
Installed—U182484L-3SDXROT
Installed—B15L-2SDXROT
Installed—B36BUTT-2SDXROT

Roll-out Tray Divided Kit Field Installation

APC
MI
CW



10"

Roll-out Tray Divided Kit Field Installation Chart

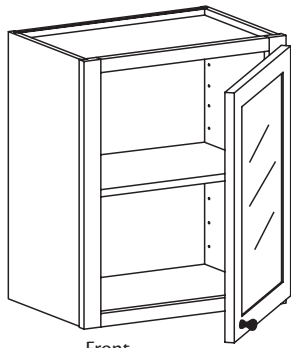
Cabinet	(Max) #ROTDKs
Base	1
Base•FH	1
Base•FH•40	1
Tall	1
Desk	N/A
Desk•FH	N/A
Vanity	N/A
Vanity•FH	N/A
VLC 88 1/2" H	N/A (Top) 1 (Bottom)

- ROTDK12.24 3 compartments
- ROTDK15.24 4 compartments
- ROTDK18.24 5 compartments
- ROTDK21.24 6 compartments
- ROTDK24.24 7 compartments
- ROTDK27.24 8 compartments
- ROTDK30.24 9 compartments
- ROTDK33.24 10 compartments
- ROTDK36.24 11 compartments

- Tray is 2 1/4" high at front and 10" high at back
- Includes full extension soft-close runners
- 24" depth only
- Solid wood dovetail construction
- Order Example:
For B15L—order ROTDK 15•24

Decorative Doors and Inserts

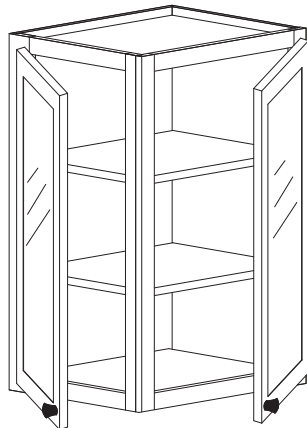
Glass Door Position Availability Charts



Front

Front	
Model	For use in
1_1	12" to 33" high Wall and Base cabinets, see insert for size exceptions
2_1	12" to 33" high Wall and Base cabinets, see insert for size exceptions
3_1	12" to 33" high Wall and Base cabinets, see insert for size exceptions
4_1	12" to 33" high Wall and Base cabinets, see insert for size exceptions
1_2	36" to 62" high Wall and Base cabinets, see insert for size exceptions
2_2	36" to 62" high Wall and Base cabinets, see insert for size exceptions
3_2	36" to 62" high Wall and Base cabinets, see insert for size exceptions
4_2	36" to 62" High Wall and Base cabinets, see insert for size exceptions

- Bistro Glass Front Example: 1BIS1



Front & End(s)

Front & End	
Model	For use in
2_1E	12" to 24" wide, up to 33" high single door Wall Cabinets & Base Cabinets with Operational End
2_2E	12" to 24" wide, 36" to 54" high single door Wall Cabinets with Operational End
2_1PREPE	Single door Wall Cabinets & Base Cabinets with Operational End
3_1E	24" to 36" wide, up to 33" high double door Wall cabinets & Base cabinets with Operational End
3_2E	24" to 36" wide, 36" to 54" high double door Wall cabinets with Operational End
3_1PREPE	Double door Wall cabinets & Base cabinets with Operational End

- Bistro Glass Front & End Example: 2BIS.1E

- Available in select Aluminum Frame Glass, Classic Glass, Etched Glass, Layered Glass and Textured Glass. See individual inserts for nomenclature.
- Glass doors **must** be ordered on front of cabinet to allow ordering of glass doors for Operational Ends (OE)
- **Not** available with Inverted Frame option (IF)



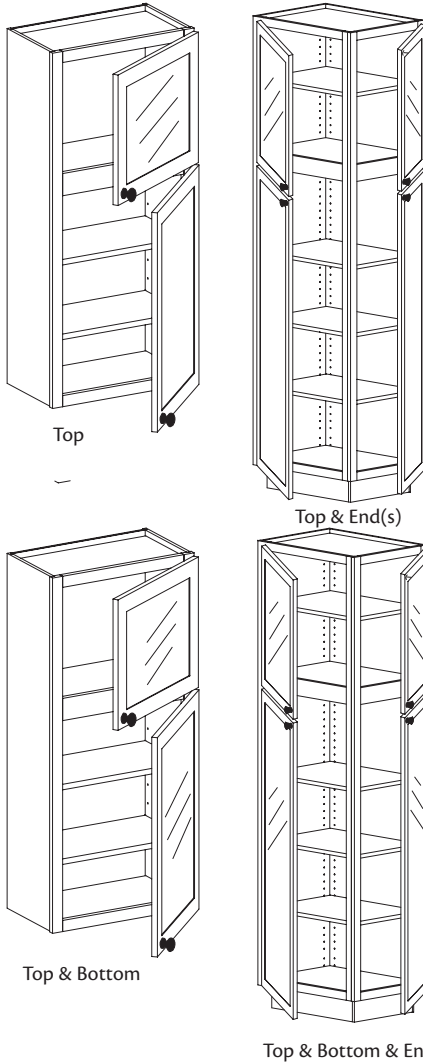
In 20-20 Operational End (OE) **must** be selected before adding glass to cabinet ends.

Order Example: W1830R- WOER.1- 2BIS.1E

Front & Ends Both	
Model	For use in
3_1EB	12" to 24" wide, up to 33" high single door Wall Cabinets & Base Cabinets with Operational Ends Both
3_2EB	12" to 24" wide, 36" to 54" high single door Wall Cabinets with Operational Ends Both
3_1PREPEB	Single door Wall Cabinets & Base Cabinets with Operational Ends Both
4_1EB	24" to 48" wide, up to 33" high double door Wall & Base Cabinets with Operational Ends Both
4_2EB	24" to 48" wide, 36" to 54" high double door Wall Cabinets with Operational Ends Both
4_1PREPEB	Double door Wall & Base Cabinets with Operational Ends Both

- Bistro Glass Front & Ends Both Example: 3BIS.1EB

Glass Door Position Availability Charts



- Available in select Aluminum Frame Glass, Classic Glass, Etched Glass, Layered Glass and Textured Glass. See individual inserts for nomenclature.
- Glass doors **must** be ordered on front of cabinet to allow ordering of glass doors for Operational Ends (OE)
- **Not** available with Inverted Frame option (IF)



In 20-20 Operational End (OE) **must** be selected before adding glass to cabinet ends.
Order Example: W1830R- WO.E.R.1- 2BIS.1E

Top	
Model	For use in
1__1T	12" to 24" wide, Wall Stack cabinets and 84" to 93" Tall cabinets
1__2T	12" to 24" wide, 96" high Tall cabinets
1__PREP.T	Single door Wall Stack cabinets and Tall cabinets
2__1T	24" to 36" wide, Wall Stack cabinets and 84" to 93" Tall cabinets
2__2T	24" to 36" wide, 96" high Tall cabinets
2__PREP.T	Double Door Wall Stack cabinets and Tall cabinets

- Bistro Glass Top Example: 1BIS.1T

Top & End	
Model	For use in
2__1T.E	12" to 24" wide, Wall Stack cabinets and 84" to 93" Tall cabinets with Operational End
2__2T.E	12" to 24" wide, 96" high Tall cabinets with Operational End
2__PREP.T.E	Double door Wall Stack cabinets and Tall cabinets with Operational End
3__1T.E	24" to 36" wide, Wall Stack cabinets and 84" to 93" Tall cabinets with Operational End
3__2T.E	24" to 36" wide, 96" high Tall cabinets with Operational End
3__PREP.T.E	Single Door Wall Stack cabinets and Tall cabinets with Operational End

- Bistro Glass Top & End Example: 2BIS.1T.E

Top & Ends Both	
Model	For use in
3__1T.TEB	12" to 24" wide, Wall Stack cabinets with Operational Ends Both
3__PREP.T.TEB	Single Door Wall Stack cabinets with Operational Ends Both
4__1T.1TEB	24" to 36" wide, Wall Stack cabinets with Operational Ends Both
4__PREP.T.TEB	Double Door Wall Stack cabinets with Operational Ends Both

- Bistro Glass Top & Ends Both Example: 3BIS.1T.TEB

Top & Bottom	
Model	For use in
2__1T.1B	12" to 24" wide, 48" & 51" Wall Stack cabinets
2__1T.2B	12" to 24" wide, 54" high Wall Stack cabinets and 84" to 93" Tall cabinets
2__2T.2B	12" to 24" wide, 96" high Tall cabinets
2__PREP.T.B	Double door Wall Stack cabinets and Tall cabinets
4__1T.1B	24" to 36" wide, 48" & 51" Wall Stack cabinets
4__1T.2B	24" to 36" wide, 54" high Wall Stack cabinets and 84" to 93" Tall cabinets
4__2T.2B	24" to 36" wide, 96" high Tall cabinets
4__PREP.T.B	Double door Wall Stack cabinets and Tall cabinets

- Bistro Glass Top & Bottom Example: 2BIS.1T.1B

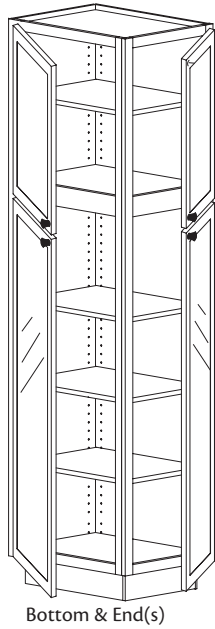
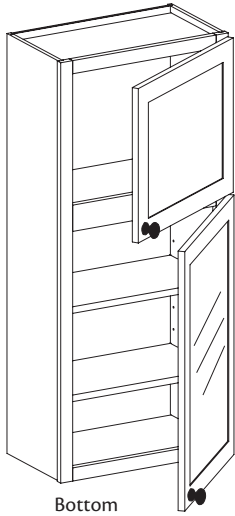
Top & Bottom & End	
Model	For use in
4__1T.1B.TE.BE	12" to 24" wide, 48" & 51" high Wall Stack cabinets with Operational End
4__1T.2B.TE.BE	12" to 24" wide, 54" high Wall Stack cabinets and 84" to 93" Tall cabinets with Operational End
4__2T.2B.TE.BE	12" to 24" wide, 96" high Tall cabinets with Operational End
4__PREP.T.B.TE.BE	Single door Wall Stack cabinets and Tall cabinets with Operational End
6__1T.1B.TE.BE	24" to 36" wide, 48" & 51" high Wall Stack cabinets with Operational End
6__1T.2B.TE.BE	24" to 36" wide, 54" high Wall Stack cabinets and 84" to 93" Tall cabinets with Operational End
6__2T.2B.TE.BE	24" to 36" wide, 96" high Tall cabinets with Operational End
6__PREP.T.B.TE.BE	Single door Wall Stack cabinets and Tall cabinets with Operational End

- Bistro Glass Top & Bottom & End Example: 4BIS.1T.1B.TE.BE

Top & Bottom & Ends Both	
Model	For use in
6__1TEB.1BEB	12" to 24" wide, 48" & 51" high Wall Stack cabinets with Operational Ends Both
6__1TEB.2BEB	12" to 24" wide, 54" high Wall Stack cabinets with Operational Ends Both
6__PREP.TEB.BEB	Double door Wall Stack cabinets with Operational Ends Both
8__1TEB.1BEB	24" to 36" wide, 48" & 51" Wall Stack cabinets with Operational Ends Both
8__1TEB.2BEB	24" to 36" wide, 54" high Wall Stack cabinets with Operational Ends Both
8__PREP.TEB.BEB	Double door Wall Stack cabinets with Operational Ends Both

- Bistro Glass Top & Bottom & Ends Example: 6BIS.1TEB.1BEB

Glass Door Position Availability Charts



- Available in select Aluminum Frame Glass, Classic Glass, Etched Glass, Layered Glass and Textured Glass. See individual inserts for nomenclature.
- Check individual cabinets for availability
- Glass doors **must** be ordered on front of cabinet to allow ordering of glass doors for Operational Ends (OE)
- **Not** available with Inverted Frame option (IF)



In 20-20 Operational End (OE) **must** be selected before adding glass to cabinet ends.
Order Example: W1830R- WOER.1- 2BIS.1E

Bottom	
Model	For use in
1__1B	12" to 24" wide, 48" & 51" high Wall Stack cabinets
1__2B	12" to 24" wide, 54" high Wall Stack cabinets and Tall cabinets
1_PREPB	Single Door Wall Stack cabinets and Tall cabinets
2__1B	24" to 36" wide, 48" & 51" high Wall Stack cabinets
2__2B	24" to 36" wide, 54" high Wall Stack cabinets and Tall cabinets
2_PREPB	Double Door Wall Stack cabinets and Tall cabinets

- Bistro Glass Bottom Example: 1BIS.1B

Bottom & End	
Model	For use in
2__1B.E	12" to 24" wide, 48" & 51" high Wall Stack cabinets with Operational End
2__2B.E	12" to 24" wide, 54" high Wall Stack cabinets and Tall cabinets with Operational End
2_PREPB.E	Double door Wall Stack cabinets and Tall cabinets with Operational End
3__1B.E	24" to 36" wide, 48" & 51" high Wall Stack cabinets with Operational End
3__2B.E	24" to 36" wide, 54" high Wall Stack cabinets and Tall cabinets with Operational End
3_PREPB.E	Single door Wall Stack cabinets and Tall cabinets with Operational End

- Bistro Glass Bottom & End Example: 2BIS.1B.E

Bottom & Ends Both	
Model	For use in
3__1B.BEB	12" to 24" wide, 48" & 51" high Wall Stack cabinets with Operational Ends Both
3__2B.BEB	12" to 24" wide, 54" high Wall Stack cabinets with Operational Ends Both
3_PREPB.BEB	Single door Wall Stack cabinets with Operational Ends Both
4__1B.1BEB	24" to 36" wide, 48" & 51" high Wall Stack cabinets with Operational Ends Both
4__2B.2BEB	24" to 36" wide, 54" high Wall Stack cabinets with Operational Ends Both
4_PREPB.BEB	Double door Wall Stack cabinets with Operational Ends Both

- Bistro Glass Bottom & Ends Example: 3BIS.1B.BEB

Aluminum Frame Glass

Aluminum frame glass doors feature clean sleek lines that complement any door style. Frames are brushed extruded aluminum. Combine a front or reverse frame and a glass style that offers the degree of content visibility you desire, from completely clear to totally obscure.

3	FR	SAT	2
quantity	frame code	glass code	height code

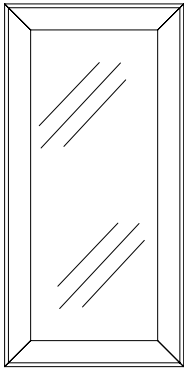
Aluminum frame glass is available in full overlay door styles, in sizes from 12" wide and up to 62" high.

Glass inserts are ordered individually. Place quantity before order code. See examples for individual items.

Material dimensions listed may vary slightly from actual dimensions of the product.

See Construction Options section for specific information on each glass type.

Fresco Brushed Aluminum



Bistro Glass Insert

Front

12" - 33" H

1FRBIS1

2FRBIS1

3FRBIS1

4FRBIS1

36" - 62" H

2FRBIS .2T.E

3FRBIS .2T.E

1FRBIS2

2FRBIS2

3FRBIS2

4FRBIS2

Top & Ends Both

12" - 33" H

2FRBIS .1E

3FRBIS .1E

36" - 62" H

2FRBIS .2E

3FRBIS .2E

1FRBIS2

2FRBIS2

3FRBIS2

4FRBIS2

Front & Ends Both

12" - 33" H

3FRBIS .1EB

4FRBIS .1EB

36" - 62" H

3FRBIS .2EB

4FRBIS .2EB

Top

12" - 33" H

1FRBIS .1T

2FRBIS .1T

36" - 62" H

1FRBIS .2T

2FRBIS .2T

Top & End

12" - 33" H

2FRBIS .1T.E

3FRBIS .1T.E

36" - 62" H

2FRBIS .2T.E

3FRBIS .2T.E

Top & Ends Both

12" - 33" H

3FRBIS .1T.TEB

4FRBIS .1T.TEB

Top & Bottom

12" - 33" H (Top & Bottom)

2FRBIS .1T.1B

4FRBIS .1T.1B

12" - 33" H (Top),

36" - 62" H (Bottom)

2FRBIS .1T.2B

4FRBIS .1T.2B

Front & Ends Both

12" - 33" H

4FRBIS .1T.2B

36" - 62" H (Top & Bottom)

2FRBIS .2T.2B

4FRBIS .2T.2B

Top & Bottom & End

12" - 33" H (Top & Bottom)

4FRBIS .1T.1B.TE.BE

4FRBIS .1T.1B.TE.BE

12" - 33" H (Top),

36" - 62" H (Bottom)

4FRBIS .1T.2B.TE.BE

6FRBIS .1T.2B.TE.BE

36" - 62" H (Top & Bottom)

4FRBIS .2T.2B.TE.BE

6FRBIS .2T.2B.TE.BE

Top & Bottom & Ends Both

12" - 33" H (Top & Bottom)

6FRBIS .1TEB.1BEB

8FRBIS .1TEB.1BEB

12" - 33" H (Top),

36" - 62" H (Bottom)

6FRBIS .1TEB.2BEB

8FRBIS .1TEB.2BEB

Bottom

12" - 33" H

1FRBIS .1B

2FRBIS .1B

36" - 62" H

1FRBIS .2B

2FRBIS .2B

Bottom & End

12" - 33" H

2FRBIS .1B.E

3FRBIS .1B.E

36" - 62" H

2FRBIS .2B.E

3FRBIS .2B.E

Bottom & Ends Both

12" - 33" H

3FRBIS .1B.BEB

4FRBIS .1B.BEB

36" - 62" H

3FRBIS .2B.BEB

4FRBIS .2B.BEB

Dolace Glass Insert

Front

12" - 33" H

1FRDOL1

2FRDOL1

3FRDOL1

4FRDOL1

36" - 62" H

1FRDOL2

2FRDOL2

3FRDOL2

4FRDOL2

Top & Ends Both

12" - 33" H

3FRDOL .1T.TEB

4FRDOL .1T.TEB

Top & Bottom

12" - 33" H (Top & Bottom)

2FRDOL .1T.1B

4FRDOL .1T.1B

12" - 33" H (Top),

36" - 62" H (Bottom)

2FRDOL .1T.2B

4FRDOL .1T.2B

36" - 62" H (Top & Bottom)

2FRDOL .2T.2B

4FRDOL .2T.2B

Front & Ends Both

12" - 33" H

3FRDOL .1EB

4FRDOL .1EB

36" - 62" H

3FRDOL .2EB

4FRDOL .2EB

Top

12" - 33" H

1FRDOL .1T

2FRDOL .1T

36" - 62" H (Top),

36" - 62" H (Bottom)

4FRDOL .1T.2B.TE.BE

6FRDOL .1T.2B.TE.BE

36" - 62" H (Top & Bottom)

4FRDOL .2T.2B.TE.BE

6FRDOL .2T.2B.TE.BE

Top & End

12" - 33" H

2FRDOL .1T.E

3FRDOL .1T.E

36" - 62" H

2FRDOL .2T.E

3FRDOL .2T.E

Top & Ends Both

12" - 33" H

3FRDOL .1T.TEB

4FRDOL .1T.TEB

Top & Bottom

12" - 33" H (Top & Bottom)

2FRDOL .1T.1B

4FRDOL .1T.1B

12" - 33" H (Top),

36" - 62" H (Bottom)

2FRDOL .1T.2B

4FRDOL .1T.2B

36" - 62" H (Top & Bottom)

2FRDOL .2T.2B

4FRDOL .2T.2B

Top & Bottom & End

12" - 33" H (Top & Bottom)

4FRDOL .1T.1B.TE.BE

6FRDOL .1T.1B.TE.BE

12" - 33" H (Top),

36" - 62" H (Bottom)

4FRDOL .1T.2B.TE.BE

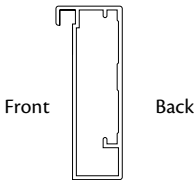
6FRDOL .1T.2B.TE.BE

36" - 62" H (Top & Bottom)

4FRDOL .2T.2B.TE.BE

6FRDOL .2T.2B.TE.BE

Cross-section of frame



Front Back

- . Brushed aluminum reverse frame door
- . Glass is adhered in front of 2 1/8" frame
- . 5/16" frame reveal in front
- . Frame is visible behind glass that is transparent or translucent
- . For more information on the glass insert choices, find the names within Classic Glass, Etched Glass, Layered Glass and Textured Glass within the Decorative Doors and Inserts section. Example: Bistro Glass Inserts can be found in the Classic Glass section
- . Available in full overlay door styles only
- . Change Width (CW) option **not** available
- . Change Height (CH) option **not** available
- . Aluminum Integrated pulls (3042 or 3043) are recommended for decorative hardware. See Decorative Hardware section
- . See glass door position availability charts in the front of this section for more information
- . Order Example: W1830R-1FRBIS1

Fresco Brushed Aluminum continued

Top & Bottom & Ends Both
12" - 33" H (Top & Bottom)

6FRDOL .1TEB.1BEB
8FRDOL .1TEB.1BEB
12" - 33" H (Top),
36" - 62" H (Bottom)
6FRDOL .1TEB.2BEB
8FRDOL .1TEB.2BEB

Bottom
12" - 33" H

1FRDOL .1B
2FRDOL .1B
36" - 62" H

1FRDOL .2B
2FRDOL .2B

Bottom & End
12" - 33" H

2FRDOL .1B.E
3FRDOL .1B.E

36" - 62" H

2FRDOL .2B.E
3FRDOL .2B.E

Bottom & Ends Both
12" - 33" H

3FRDOL .1B.BEB
4FRDOL .1B.BEB

36" - 62" H

3FRDOL .2B.BEB
4FRDOL .2B.BEB

Mirage Glass Insert
Front

12" - 33" H

1FRMIR1
2FRMIR1

3FRMIR1
4FRMIR1

36" - 62" H

1FRMIR2
2FRMIR2

3FRMIR2
4FRMIR2

Front & End
12" - 33" H

2FRMIR .1E
3FRMIR .1E

36" - 62" H

2FRMIR .2E
3FRMIR .2E

Front & Ends Both
12" - 33" H

3FRMIR .1EB
4FRMIR .1EB

36" - 62" H

3FRMIR .2EB
4FRMIR .2EB

Top
12" - 33" H

1FRMIR .1T
2FRMIR .1T

36" - 62" H

1FRMIR .2T
2FRMIR .2T

Top & End
12" - 33" H

2FRMIR .1T.E
3FRMIR .1T.E

36" - 62" H

2FRMIR .2T.E
3FRMIR .2T.E

Top & Ends Both
12" - 33" H

3FRMIR .1T.TEB
4FRMIR .1T.TEB

Top & Bottom
12" - 33" H (Top & Bottom)

2FRMIR .1T.1B
4FRMIR .1T.1B

12" - 33" H (Top),
36" - 62" H (Bottom)

2FRMIR .1T.2B
4FRMIR .1T.2B

36" - 62" H (Top & Bottom)

2FRMIR .2T.2B
4FRMIR .2T.2B

Top & Bottom & End
12" - 33" H (Top & Bottom)

4FRMIR .1T.1B.TE.BE
6FRMIR .1T.1B.TE.BE

12" - 33" H (Top),
36" - 62" H (Bottom)

4FRMIR .1T.2B.TE.BE
6FRMIR .1T.2B.TE.BE

36" - 62" H (Top & Bottom)

4FRMIR .2T.2B.TE.BE
6FRMIR .2T.2B.TE.BE

Top & Bottom & Ends Both
12" - 33" H (Top & Bottom)

6FRMIR .1TEB.1BEB
8FRMIR .1TEB.1BEB

12" - 33" H (Top),
36" - 62" H (Bottom)

6FRMIR .1TEB.2BEB
8FRMIR .1TEB.2BEB

Bottom
12" - 33" H

1FRMIR .1B
2FRMIR .1B

36" - 62" H

1FRMIR .2B
2FRMIR .2B

Bottom & End
12" - 33" H

2FRMIR .1B.E
3FRMIR .1B.E

36" - 62" H

2FRMIR .2B.E
3FRMIR .2B.E

Bottom & Ends Both
12" - 33" H

3FRMIR .1B.BEB
4FRMIR .1B.BEB

36" - 62" H

3FRMIR .2B.BEB
4FRMIR .2B.BEB

Satina Glass Insert

Front
12" - 33" H

1FRSAT1
2FRSAT1

3FRSAT1
4FRSAT1

36" - 62" H

1FRSAT2
2FRSAT2

3FRSAT2
4FRSAT2

Front & End
12" - 33" H

2FRSAT .1E
3FRSAT .1E

36" - 62" H

2FRSAT .2E
3FRSAT .2E

Front & Ends Both
12" - 33" H

3FRSAT .1EB
4FRSAT .1EB

36" - 62" H

3FRSAT .2EB
4FRSAT .2EB

Top
12" - 33" H

1FRSAT .1T
2FRSAT .1T

36" - 62" H

1FRSAT .2T
2FRSAT .2T

Top & End
12" - 33" H

2FRSAT .1T.E
3FRSAT .1T.E

36" - 62" H

2FRSAT .2T.E
3FRSAT .2T.E

Top & Ends Both
12" - 33" H

3FRSAT .1T.TEB
4FRSAT .1T.TEB

Top & Bottom
12" - 33" H (Top & Bottom)

2FRSAT .1T.1B
4FRSAT .1T.1B

12" - 33" H (Top),
36" - 62" H (Bottom)

2FRSAT .1T.2B
4FRSAT .1T.2B

36" - 62" H (Top & Bottom)

2FRSAT .2T.2B
4FRSAT .2T.2B

Top & Bottom & End
12" - 33" H (Top & Bottom)

4FRSAT .1T.1B.TE.BE
6FRSAT .1T.1B.TE.BE

12" - 33" H (Top),
36" - 62" H (Bottom)

4FRSAT .1T.2B.TE.BE
6FRSAT .1T.2B.TE.BE

36" - 62" H (Top & Bottom)

4FRSAT .2T.2B.TE.BE
6FRSAT .2T.2B.TE.BE

Top & Bottom & Ends Both
12" - 33" H (Top & Bottom)

6FRSAT .1TEB.1BEB
8FRSAT .1TEB.1BEB

12" - 33" H (Top),
36" - 62" H (Bottom)

6FRSAT .1TEB.2BEB
8FRSAT .1TEB.2BEB

Bottom
12" - 33" H

1FRSAT .1B
2FRSAT .1B

36" - 62" H

1FRSAT .2B
2FRSAT .2B

Bottom & End
12" - 33" H

2FRSAT .1B.E
3FRSAT .1B.E

36" - 62" H

2FRSAT .2B.E
3FRSAT .2B.E

Bottom & Ends Both
12" - 33" H

3FRSAT .1B.BEB
4FRSAT .1B.BEB

36" - 62" H

3FRSAT .2B.BEB
4FRSAT .2B.BEB

Silk Glass Insert

Front

12" - 33" H

1FRSLK1
2FRSLK1

3FRSLK1
4FRSLK1

36" - 42" H

1FRSLK2
2FRSLK2

3FRSLK2
4FRSLK2

Front & End
12" - 33" H

2FRSLK .1E
3FRSLK .1E

36" - 42" H

2FRSLK .2E
3FRSLK .2E

Front & Ends Both
12" - 33" H

3FRSLK .1EB
4FRSLK .1EB

36" - 42" H

3FRSLK .2EB
4FRSLK .2EB

Top
12" - 33" H

1FRSLK .1T
2FRSLK .1T

36" - 42" H

1FRSLK .2T
2FRSLK .2T

Top & End
12" - 33" H

2FRSLK .1T.E
3FRSLK .1T.E

36" - 42" H

2FRSLK .2T.E
3FRSLK .2T.E

Top & Ends Both
12" - 33" H

3FRSLK .1T.TEB
4FRSLK .1T.TEB

Top & Bottom
12" - 33" H (Top & Bottom)

2FRSLK .1T.1B
4FRSLK .1T.1B

12" - 33" H (Top),
36" - 42" H (Bottom)

2FRSLK .1T.2B
4FRSLK .1T.2B

Top & Bottom & End
12" - 33" H (Top & Bottom)

4FRSLK .1T.1B.TE.BE
6FRSLK .1T.1B.TE.BE

12" - 33" H (Top),
36" - 42" H (Bottom)

4FRSLK .1T.2B.TE.BE
6FRSLK .1T.2B.TE.BE

Top & Bottom & Ends Both
12" - 33" H (Top & Bottom)

6FRSLK .1TEB.1BEB
8FRSLK .1TEB.1BEB

12" - 33" H (Top),
36" - 42" H (Bottom)

6FRSLK .1TEB.2BEB
8FRSLK .1TEB.2BEB

Bottom
12" - 33" H

1FRSLK .1B
2FRSLK .1B

36" - 42" H

1FRSLK .2B
2FRSLK .2B

Bottom & End
12" - 33" H

2FRSLK .1B.E
3FRSLK .1B.E

36" - 42" H

2FRSLK .2B.E
3FRSLK .2B.E

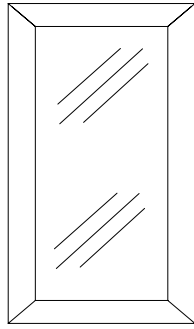
Bottom & Ends Both
12" - 33" H

3FRSLK .1B.BEB
4FRSLK .1B.BEB

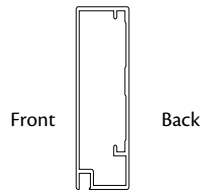
36" - 42" H

3FRSLK .2B.BEB
4FRSLK .2B.BEB

Vetro Brushed Aluminum



Cross-section of frame



Bistro Glass Insert

Front

12" - 33" H

1VEBIS1

2VEBIS1

3VEBIS1

4VEBIS1

36" - 62" H

1VEBIS2

2VEBIS2

3VEBIS2

4VEBIS2

Front & End

12" - 33" H

2VEBIS .1E

3VEBIS .1E

36" - 62" H

2VEBIS .2E

3VEBIS .2E

Front & Ends Both

12" - 33" H

3VEBIS .1EB

4VEBIS .1EB

36" - 62" H

3VEBIS .2EB

4VEBIS .2EB

Top

12" - 33" H

1VEBIS .1T

2VEBIS .1T

36" - 62" H

1VEBIS .2T

2VEBIS .2T

Top & End

12" - 33" H

2VEBIS .1T.E

3VEBIS .1T.E

36" - 62" H

2VEBIS .2T.E

3VEBIS .2T.E

Top & Ends Both

12" - 33" H

3VEBIS .1T.TEB

4VEBIS .1T.TEB

Top & Bottom

12" - 33" H (Top & Bottom)

2VEBIS .1T.1B

4VEBIS .1T.1B

12" - 33" H (Top),

36" - 62" H (Bottom)

2VEBIS .1T.2B

4VEBIS .1T.2B

36" - 62" H (Top & Bottom)

2VEBIS .2T.2B

4VEBIS .2T.2B

Top & Bottom & End

12" - 33" H (Top & Bottom)

4VEBIS .1T.1B.TE.BE

6VEBIS .1T.1B.TE.BE

12" - 33" H (Top)

36" - 62" (Bottom)

4VEBIS .1T.2B.TE.BE

6VEBIS .1T.2B.TE.BE

36" - 62" H (Top & Bottom)

4VEBIS .2T.2B.TE.BE

6VEBIS .2T.2B.TE.BE

Top & Bottom & Ends Both

12" - 33" H (Top & Bottom)

6VEBIS .1TEB.1BEB

8VEBIS .1TEB.1BEB

36" - 62" H (Top & Bottom)

6VEBIS .1TEB.2BEB

8VEBIS .1TEB.2BEB

Bottom

12" - 33" H

1VEBIS .1B

2VEBIS .1B

36" - 62" H

1VEBIS .2B

2VEBIS .2B

Bottom & End

12" - 33" H

2VEBIS .1B.E

3VEBIS .1B.E

36" - 62" H

2VEBIS .2B.E

3VEBIS .2B.E

Bottom & Ends Both

12" - 33" H

3VEBIS .1B.BEB

4VEBIS .1B.BEB

36" - 62" H

3VEBIS .2B.BEB

4VEBIS .2B.BEB

Dolce Glass Insert

Front

12" - 33" H

1VEDOL1

2VEDOL1

3VEDOL1

4VEDOL1

36" - 62" H

1VEDOL2

2VEDOL2

3VEDOL2

4VEDOL2

Front & End

12" - 33" H

2VEDOL .1E

3VEDOL .1E

36" - 62" H

2VEDOL .2E

3VEDOL .2E

Front & Ends Both

12" - 33" H

3VEDOL .1EB

4VEDOL .1EB

36" - 62" H

3VEDOL .2EB

4VEDOL .2EB

Top

12" - 33" H

1VEDOL .1T

2VEDOL .1T

36" - 62" H

1VEDOL .2T

2VEDOL .2T

Top & End

12" - 33" H

2VEDOL .1T.E

3VEDOL .1T.E

36" - 62" H

2VEDOL .2T.E

3VEDOL .2T.E

Top & Ends Both

12" - 33" H

3VEDOL .1T.TEB

4VEDOL .1T.TEB

Top & Bottom

12" - 33" H (Top & Bottom)

2VEDOL .1T.1B

4VEDOL .1T.1B

12" - 33" H (Top),

36" - 62" H (Bottom)

2VEDOL .1T.2B

4VEDOL .1T.2B

36" - 62" H (Top & Bottom)

2VEDOL .2T.2B

4VEDOL .2T.2B

Top & Bottom & End

12" - 33" H (Top & Bottom)

4VEDOL .1T.1B.TE.BE

6VEDOL .1T.1B.TE.BE

12" - 33" H (Top),

36" - 62" H (Bottom)

4VEDOL .1T.2B.TE.BE

6VEDOL .1T.2B.TE.BE

36" - 62" H (Top & Bottom)

4VEDOL .2T.2B.TE.BE

6VEDOL .2T.2B.TE.BE

Top & Bottom & Ends Both
12" - 33" H (Top & Bottom)

6VEDOL .1TEB.1BEB

8VEDOL .1TEB.1BEB

12" - 33" H (Top),

36" - 62" H (Bottom)

6VEDOL .1TEB.2BEB

8VEDOL .1TEB.2BEB

Bottom

12" - 33" H

1VEDOL .1B

2VEDOL .1B

36" - 62" H

1VEDOL .2B

2VEDOL .2B

Bottom & End

12" - 33" H

2VEDOL .1B.E

3VEDOL .1B.E

36" - 62" H

2VEDOL .2B.E

3VEDOL .2B.E

Bottom & Ends Both

12" - 33" H

3VEDOL .1B.BEB

4VEDOL .1B.BEB

36" - 62" H

3VEDOL .2B.BEB

4VEDOL .2B.BEB

Mirage Glass Insert

Front

12" - 33" H

1VEMIR1

2VEMIR1

3VEMIR1

4VEMIR1

36" - 62" H

1VEMIR2

2VEMIR2

3VEMIR2

4VEMIR2

Front & End

12" - 33" H

2VEMIR .1E

3VEMIR .1E

36" - 62" H

2VEMIR .2E

3VEMIR .2E

Front & Ends Both

12" - 33" H

3VEMIR .1EB

4VEMIR .1EB

36" - 62" H

3VEMIR .2EB

4VEMIR .2EB

- . Brushed aluminum 2 1/8" frame
- . Glass is adhered within the frame
- . For more information on the glass insert choices, find the names within Classic Glass, Etched Glass, Layered Glass and Textured Glass within the Decorative Doors and Inserts section. Example: Bistro Glass Inserts can be found in the Classic Glass section
- . Available in full overlay door styles only
- . Change Width (CW) option **not** available
- . Change Height (CH) option **not** available
- . Aluminum Integrated pulls (3042 or 3043) are recommended for decorative hardware. See Decorative Hardware section
- . See glass door position availability charts in the front of this section for more information
- . Order Example: W3030-2VEBIS1

Vetro Brushed Aluminum continued

Top
12" - 33" H

1VEMIR .1T
2VEMIR .1T

36" - 62" H
1VEMIR .2T
2VEMIR .2T

Top & End
12" - 33" H
2VEMIR .1T.E
3VEMIR .1T.E

36" - 62" H
2VEMIR .2T.E
3VEMIR .2T.E

Top & Ends Both
12" - 33" H
3VEMIR .1T.TEB
4VEMIR .1T.TEB

Top & Bottom
12" - 33" H (Top & Bottom)
2VEMIR .1T.1B
4VEMIR .1T.1B

12" - 33" H (Top),
36" - 62" H (Bottom)
2VEMIR .1T.2B
4VEMIR .1T.2B

36" - 62" H (Top & Bottom)
2VEMIR .2T.2B
4VEMIR .2T.2B

Top & Bottom & End
12" - 33" H (Top & Bottom)
4VEMIR .1T.1B.TE.BE
6VEMIR .1T.1B.TE.BE

12" - 33" H (Top),
36" - 62" H (Bottom)
4VEMIR .1T.2B.TE.BE
6VEMIR .1T.2B.TE.BE

36" - 62" H (Top & Bottom)
4VEMIR .2T.2B.TE.BE
6VEMIR .2T.2B.TE.BE

Top & Bottom & Ends Both
12" - 33" H (Top & Bottom)
6VEMIR .1TEB.1BEB
8VEMIR .1TEB.1BEB

12" - 33" H (Top),
36" - 62" H (Bottom)
6VEMIR .1TEB.2BEB
8VEMIR .1TEB.2BEB

Bottom
12" - 33" H
1VEMIR .1B
2VEMIR .1B

36" - 62" H
1VEMIR .2B
2VEMIR .2B

Bottom & End
12" - 33" H
2VEMIR .1B.E
3VEMIR .1B.E

36" - 62" H
2VEMIR .2B.E
3VEMIR .2B.E

Bottom & Ends Both
12" - 33" H
3VEMIR .1B.BEB
4VEMIR .1B.BEB

36" - 62" H
3VEMIR .2B.BEB
4VEMIR .2B.BEB

Satina Glass Insert
Front
12" - 33" H
1VESAT1
2VESAT1
3VESAT1
4VESAT1

36" - 62" H
1VESAT2
2VESAT2
3VESAT2
4VESAT2

Front & End
12" - 33" H
2VESAT .1E
3VESAT .1E

36" - 62" H
2VESAT .2E
3VESAT .2E

Front & Ends Both
12" - 33" H
3VESAT .1EB
4VESAT .1EB

36" - 62" H
3VESAT .2EB
4VESAT .2EB

Top
12" - 33" H
1VESAT .1T
2VESAT .1T

36" - 62" H
1VESAT .2T
2VESAT .2T

Top & End
12" - 33" H
2VESAT .1T.E
3VESAT .1T.E

36" - 62" H
2VESAT .2T.E
3VESAT .2T.E

Top & Ends Both
12" - 33" H
3VESAT .1T.TEB
4VESAT .1T.TEB

Top & Bottom
12" - 33" H (Top & Bottom)
2VESAT .1T.1B
4VESAT .1T.1B

12" - 33" H (Top),
36" - 62" H (Bottom)
2VESAT .1T.2B
4VESAT .1T.2B

36" - 62" H
2VESAT .2T.2B
4VESAT .2T.2B

36" - 62" H (Top & Bottom)
2VESAT .2T.2B
4VESAT .2T.2B

Top & Bottom & End
12" - 33" H (Top & Bottom)
4VESAT .1T.1B.TE.BE
6VESAT .1T.1B.TE.BE

12" - 33" H (Top),
36" - 62" H (Bottom)
4VESAT .1T.2B.TE.BE
6VESAT .1T.2B.TE.BE

36" - 62" H (Top & Bottom)
4VESAT .2T.2B.TE.BE
6VESAT .2T.2B.TE.BE

Top & Bottom & Ends Both
12" - 33" H (Top & Bottom)
6VESAT .1TEB.1BEB
8VESAT .1TEB.1BEB

12" - 33" H (Top),
36" - 62" H (Bottom)
6VESAT .1TEB.2BEB
8VESAT .1TEB.2BEB

Bottom
12" - 33" H
1VESAT .1B
2VESAT .1B

36" - 62" H
1VESAT .2B
2VESAT .2B

Bottom & End
12" - 33" H
2VESAT .1B.E
3VESAT .1B.E

36" - 62" H
2VESAT .2B.E
3VESAT .2B.E

Bottom & Ends Both
12" - 33" H
3VESAT .1B.BEB
4VESAT .1B.BEB

36" - 62" H
3VESAT .2B.BEB
4VESAT .2B.BEB

Silk Glass Insert
Front
12" - 33" H
1VESLK1
2VESLK1
3VESLK1
4VESLK1

36" - 42" H
1VESLK2
2VESLK2
3VESLK2
4VESLK2

Front & End
12" - 33" H
2VESLK .1E
3VESLK .1E

36" - 42" H
2VESLK .2E
3VESLK .2E

Front & Ends Both
12" - 33" H
3VESLK .1EB
4VESLK .1EB

36" - 42" H
3VESLK .2EB
4VESLK .2EB

Top
12" - 33" H
1VESLK .1T
2VESLK .1T

36" - 42" H
1VESLK .2T
2VESLK .2T

Top & End
12" - 33" H
2VESLK .1T.E
3VESLK .1T.E

36" - 42" H
2VESLK .2T.E
3VESLK .2T.E

Top & Ends Both
12" - 33" H
3VESLK .1T.TEB
4VESLK .1T.TEB

Top & Bottom
12" - 33" H (Top & Bottom)
2VESLK .1T.1B
4VESLK .1T.1B

12" - 33" H (Top),
36" - 42" H (Bottom)
2VESLK .1T.2B
4VESLK .1T.2B

Top & Bottom & End
12" - 33" H (Top & Bottom)
4VESLK .1T.1B.TE.BE
6VESLK .1T.1B.TE.BE

12" - 33" H (Top),
36" - 42" H (Bottom)
4VESLK .1T.2B.TE.BE
6VESLK .1T.2B.TE.BE

Top & Bottom & Ends Both
12" - 33" H (Top & Bottom)
6VESLK .1TEB.1BEB
8VESLK .1TEB.1BEB

12" - 33" H (Top),
36" - 42" H (Bottom)
6VESLK .1TEB.2BEB
8VESLK .1TEB.2BEB

Bottom
12" - 33" H
1VESLK .1B
2VESLK .1B

36" - 42" H
1VESLK .2B
2VESLK .2B

Bottom & End
12" - 33" H
2VESLK .1B.E
3VESLK .1B.E

36" - 42" H
2VESLK .2B.E
3VESLK .2B.E

Camed Glass

Camed glass designs use cut glass and zinc caming to create an artistic statement. The lines of the caming add stylish detail while creating visual interruptions in the glass and the objects displayed behind it.

3	YKS	2
quantity	code	height code

Camed glass is available in most door styles, in sizes from 12" wide and up to 42" high.

Glass inserts are ordered individually. Place quantity before order code. See examples for individual items.

Material dimensions listed may vary slightly from actual dimensions of the product.

See Construction Options section for specific information on each glass type.

Specifications subject to change without notice.

Chateau Insert

Lite Configurations



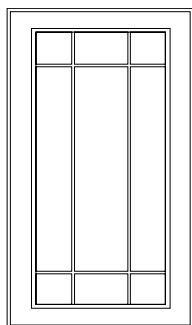
12" x 12"



12" wide



12" high



Front & Top
12" - 33" H

1CHA1

2CHA1

3CHA1

4CHA1

Front & Top
36" - 42" H

1CHA2

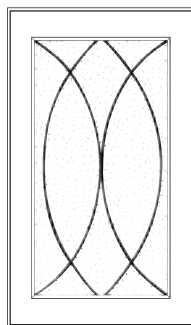
2CHA2

3CHA2

4CHA2

- . All clear bevel glass
- . Brass on Zinc Caming
- . Recommended for square door styles only
- . **Not** available in High-Gloss Foil door styles
- . **Not** available in Wood-Grain Foil slab door styles
- . Change Width (CW) option **not** available
- . Change Height (CH) option **not** available
- . Order Example: W3030R-2CHA1

Classic Camed Insert



Front & Top
15" - 33" H

1CLI1

2CLI1

3CLI1

4CLI1

Front & Top
36" - 42" H

1CLI2

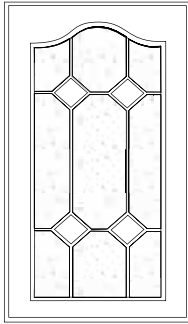
2CLI2

3CLI2

4CLI2

- . Lightly textured satin glass
- . Blackened Pewter Zinc Caming
- . Only available in doors 15" wide and wider
- . Recommended for square door styles only
- . Available in full overlay door styles only
- . **Not** available in High-Gloss Foil door styles
- . **Not** available in Wood-Grain Foil slab door styles
- . Change Width (CW) option **not** available
- . Change Height (CH) option **not** available
- . Order Example: W3036-2CLI2

Palisades Insert

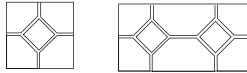


Front & Top
12" - 33" H

1PAL1
2PAL1
3PAL1
4PAL1

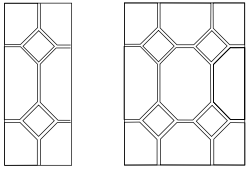
Front & Top
36" - 42" H

1PAL2
2PAL2
3PAL2
4PAL2



A

B



C

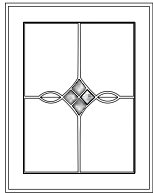
D

Cabinet Width	Cabinet Height			
	12	15	18	21-42
12	A	A	C	C
15-36	B	B	D	D
24BUTT	A	A	C	C
27BUTT*	A	A	C	C
30BUTT	B	B	D	D
33	B	B	D	D
34BUTT		B	D	D
36BUTT	B	B	D	D
37BUTT		B	D	D
39-48	B	B	D	D
WA24/27	B	B	D	D
(W)EZR24/36				C
WCA12		B	D	D

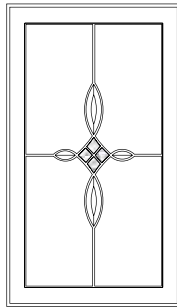
* 2 diamonds wide on full overlay w/stiles and rails 2 1/4" or less.

- Clear seeded glass
- Clear bevel diamond(s)
- Zinc caming
- **Not** available in High-Gloss Foil door styles
- **Not** available in Wood-Grain Foil slab door styles
- Change Width (CW) option **not** available
- Change Height (CH) option **not** available
- Order Example: W1830L-1PAL1

Penrose Insert



Full Overlay doors
18" or less in height
with rails larger
than 2 1/4" and
1/2" Overlay doors
18" or less in height



Front & Top
12" - 33" H

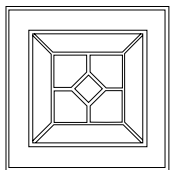
1PEN1
2PEN1
3PEN1
4PEN1

Front & Top
36" - 42" H

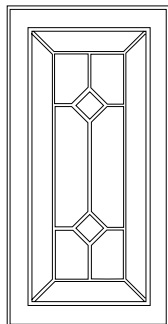
1PEN2
2PEN2
3PEN2
4PEN2

- Clear glass
- Coarse pebbled glass center diamonds
- Clear beveled ovals
- Zinc caming
- **Not** available in High-Gloss Foil door styles
- **Not** available in Wood-Grain Foil slab door styles
- 12" wide by 18" high full overlay doors are only available if they have 2 3/16" or 2 1/4" stiles and rails
- BUTT doors 24" wide **must** be 24" high or higher
- No side petals on 24" BUTT doors
- Change Width (CW) option **not** available
- Change Height (CH) option **not** available
- Order Example: W1830R-1PEN1

Victorian Insert



Doors 15" or less
in height



Front & Top
12" - 33" H

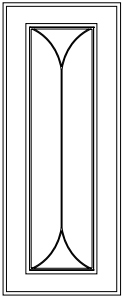
1VIC1
2VIC1
3VIC1
4VIC1

Front & Top
36" - 42" H

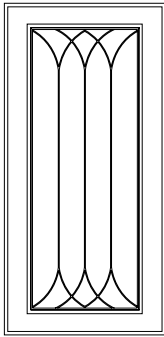
1VIC2
2VIC2
3VIC2
4VIC2

- Clear glass
- Clear bevel diamond(s)
- Zinc caming
- Recommended for square door styles only
- **Not** available in High-Gloss Foil door styles
- **Not** available in Wood-Grain Foil slab door styles
- Change Width (CW) option **not** available
- Change Height (CH) option **not** available
- Order Example: W3030R-2VIC1

Yorkshire Insert



Doors 12" wide



Front & Top
18" - 33" H

1YKS1

2YKS1

3YKS1

4YKS1

Front & Top
36" - 42" H

1YKS2

2YKS2

3YKS2

4YKS2

- Clear glass with Baroque style Zinc Caming
- **Not** available in High-Gloss Foil door styles
- **Not** available in Wood-Grain Foil slab door styles
- Change Width (CW) option **not** available
- Change Height (CH) option **not** available
- Order Example: W1830R-1YKS1

Classic Glass

Classic glass is simple, clean and timeless. Designs feature minimal patterns and textures. The choice of clear glass, with or without simple bevels, maximizes interior visibility.

Classic glass is available in most door styles, in sizes from 12" wide and up to 62" high.

Glass inserts are ordered individually. Place quantity before order code. See examples for individual items.

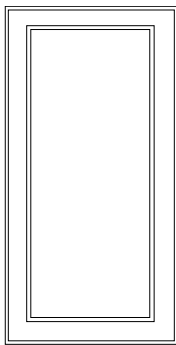
Material dimensions listed may vary slightly from actual dimensions of the product.

See Construction Options section for specific information on each glass type.

Specifications subject to change without notice.

2	BIS	2
quantity	code	height code

Bistro Insert



Front
12" - 33" H

1BIS1
2BIS1
3BIS1
4BIS1

36" - 62" H

1BIS2
2BIS2
3BIS2
4BIS2

Front & End
12" - 33" H

2BIS .1E
3BIS .1E

36" - 62" H

2BIS .2E
3BIS .2E

Front & Ends Both
12" - 33" H

3BIS .1EB
4BIS .1EB

36" - 62" H

3BIS .2EB
4BIS .2EB

Top
12" - 33" H

1BIS .1T
2BIS .1T

36" - 62" H

1BIS .2T
2BIS .2T

Top & End
12" - 33" H

2BIS .1T.E
3BIS .1T.E

36" - 62" H

2BIS .2T.E
3BIS .2T.E

Top & Ends Both
12" - 33" H

3BIS .1T.TEB
4BIS .1T.TEB

Top & Bottom
12" - 33" H (Top & Bottom)

2BIS .1T.1B
4BIS .1T.1B

12" - 33" H (Top)
36" - 62" H (Bottom)

2BIS .1T.2B
4BIS .1T.2B

36" - 62" H (Top & Bottom)

2BIS .2T.2B
4BIS .2T.2B

Top & Bottom & End
12" - 33" H (Top & Bottom)

4BIS .1T.1B.TE.BE
6BIS .1T.1B.TE.BE

12" - 33" H (Top),
36" - 62" H (Bottom)

4BIS .1T.2B.TE.BE
6BIS .1T.2B.TE.BE

36" - 62" H (Top & Bottom)

4BIS .2T.2B.TE.BE
6BIS .2T.2B.TE.BE

Top & Bottom & Ends Both
12" - 33" H (Top & Bottom)

6BIS .1TEB.1BEB
8BIS .1TEB.1BEB

12" - 33" H (Top),
36" - 62" H (Bottom)

6BIS .1TEB.2BEB
8BIS .1TEB.2BEB

Bottom
12" - 33" H

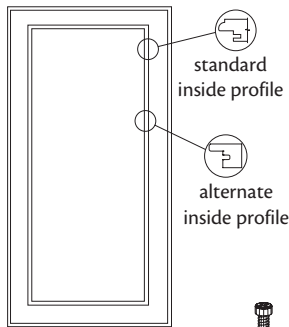
1BIS .1B
2BIS .1B

36" - 62" H

1BIS .2B
2BIS .2B

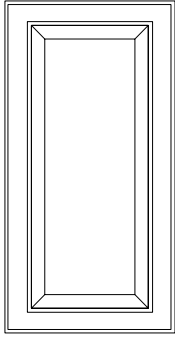
- Clear tempered glass
- **Not** available in High-Gloss Foil door styles
- **Not** available in Wood-Grain Foil slab door styles
- See glass door position availability charts in the front of this section for more information
- Order Example: W1830R-1BIS1

Prepared for Glass

*Front***1DRS .PREP****2DRS .PREP****3DRS .PREP****4DRS .PREP***Front & End***2DRS .PREP.E****3DRS .PREP.E***Front & Ends Both***3DRS .PREP.EB****4DRS .PREP.EB***Top***1DRS .PREP.T****2DRS .PREP.T***Top & End***2DRS .PREP.T.E****3DRS .PREP.T.E***Top & Ends Both***3DRS .PREP.T.TEB****4DRS .PREP.T.TEB***Top & Bottom***2DRS .PREP.T.B****4DRS .PREP.T.B***Top & Bottom & End***4DRS .PREP.T.B.TE.BE****6DRS .PREP.T.B.TE.BE***Top & Bottom & Ends Both***6DRS .PREP.TEB.BEB****8DRS .PREP.TEB.BEB***Bottom***1DRS .PREP.B****2DRS .PREP.B***Bottom & End***2DRS .PREP.B.E****3DRS .PREP.B.E***Bottom & Ends Both***3DRS .PREP.B.BEB****4DRS .PREP.B.BEB**

- We will prepare most doors up to 62" for customer supplied glass
- Glass clips included
- 9" wide doors **cannot** be prep for glass or inserts
- **Not** available in High-Gloss Foil door styles
- **Not** available in Wood-Grain Foil slab door styles
- See glass door position availability charts in the front of this section for more information
- Order Example: W1830R-1DRS.PREP

Prism Insert



Front
12" - 33" H
1PRI1
2PRI1
3PRI1
4PRI1

Front
36" - 62" H
1PRI2
2PRI2
3PRI2
4PRI2

Front & End
12" - 33" H
2PRI .1E
3PRI .1E

Front & End
36" - 62" H
2PRI .2E
3PRI .2E

Front & Ends Both
12" - 33" H
3PRI .1EB
4PRI .1EB

Front & Ends Both
36" - 62" H
3PRI .2EB
4PRI .2EB

Top
12" - 33" H
1PRI .1T
2PRI .1T

Top
36" - 62" H
1PRI .2T
2PRI .2T

Top & End
12" - 33" H
2PRI .1T.E
3PRI .1T.E

Top & End
36" - 62" H
2PRI .2T.E
3PRI .2T.E

Top & Ends Both
12" - 33" H
3PRI .1T.TEB
4PRI .1T.TEB

Top & Bottom
12" - 33" H (Top & Bottom)
2PRI .1T.1B
4PRI .1T.1B

Top & Bottom
12" - 33" H (Top),
36" - 62" H (Bottom)
2PRI .1T.2B
4PRI .1T.2B

Top & Bottom
36" - 62" H (Top & Bottom)
2PRI .2T.2B
4PRI .2T.2B

Top & Bottom & End
12" - 33" H (Top & Bottom)
4PRI .1T.1B.TE.BE
6PRI .1T.1B.TE.BE

Top & Bottom & End
12" - 33" H (Top),
36" - 62" H (Bottom)
4PRI .1T.2B.TE.BE
6PRI .1T.2B.TE.BE

Top & Bottom & End
36" - 62" H (Top & Bottom)
4PRI .2T.2B.TE.BE
6PRI .2T.2B.TE.BE

Top & Bottom & Ends Both
12" - 33" H (Top & Bottom)
6PRI .1TEB.1BEB
8PRI .1TEB.1BEB

Top & Bottom & Ends Both
12" - 33" H (Top),
36" - 62" H (Bottom)
6PRI .1TEB.2BEB
8PRI .1TEB.2BEB

Bottom
12" - 33" H
1PRI .1B
2PRI .1B

Bottom
36" - 62" H
1PRI .2B
2PRI .2B

Bottom & End
12" - 33" H
2PRI .1B.E
3PRI .1B.E

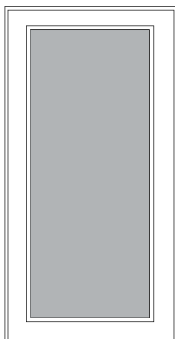
Bottom & End
36" - 62" H
2PRI .2B.E
3PRI .2B.E

Bottom & Ends Both
12" - 33" H
3PRI .1B.BEB
4PRI .1B.BEB

Bottom & Ends Both
36" - 62" H
3PRI .2B.BEB
4PRI .2B.BEB

- . 1 1/4" bevel
- . All clear tempered beveled glass
- . **Not** available in arch door styles
- . **Not** available with applied molding doors
- . **Not** available in High-Gloss Foil door styles
- . **Not** available in Wood-Grain Foil slab door styles
- . Change Width (CW) option **not** available
- . Change Height (CH) option **not** available
- . See glass door position availability charts in the front of this section for more information
- . Order Example: W1842R-1PRI2

Shadow Insert



Front & Top
12" - 33" H
1SHW1
2SHW1
3SHW1
4SHW1

Front & Top
36" - 62" H
1SHW2
2SHW2
3SHW2
4SHW2

- . Tinted tempered glass
- . **Not** available in High-Gloss Foil door styles
- . **Not** available in Wood-Grain Foil slab door styles
- . Order Example: W1830R-1BIS1

Etched Glass

These glass designs offer etched linear patterns or an overall fine, sanded texture into which a pattern or shape is etched. Patterns range from mullions to simple shapes. Visibility of cabinetry interiors is possible when some areas of the glass are left unetched.

1	PRA	1
quantity	code	height code

Etched glass is available in most door styles, in sizes from 12" wide and up to 62" high.

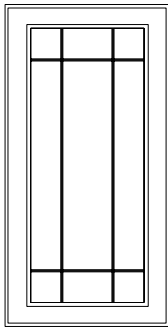
Glass inserts are ordered individually. Place quantity before order code. See examples for individual items.

Material dimensions listed may vary slightly from actual dimensions of the product.

See Construction Options section for specific information on each glass type.

Specifications subject to change without notice.

Crossroads Insert



Front & Top
15" - 33" H

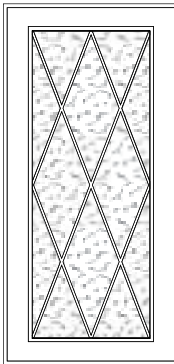
1CRO1
2CRO1
3CRO1
4CRO1

Front & Top
36" - 62" H

1CRO2
2CRO2
3CRO2
4CRO2

- . Clear tempered glass
- . 3/16" frosted etched groove
- . Recommended for square door styles only
- . Only available on doors 15" wide or wider
- . **Not** available in High-Gloss Foil door styles
- . Change Width (CW) option **not** available
- . Change Height (CH) option **not** available
- . Order Example: W1830L-1CRO1

Lisbon Insert



Front & Top
12" - 33" H

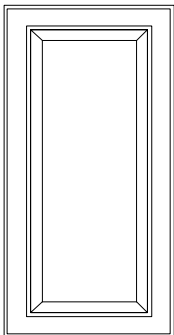
1LIS1
2LIS1
3LIS1
4LIS1

Front & Top
36" - 62" H

1LIS2
2LIS2
3LIS2
4LIS2

- . Obscure safety glass
- . 3/8" silhouette etched groove with polished center and frosted edges
- . **Not** available in High-Gloss Foil door styles
- . **Not** available in Wood-Grain Foil slab door styles
- . Change Width (CW) option **not** available
- . Change Height (CH) option **not** available
- . Order Example: W1830R-1LIS1

Modern Frosted Insert



Front & Top
12" - 33" H

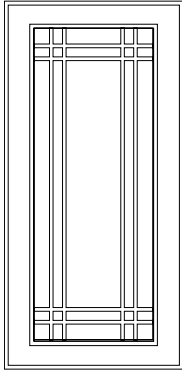
1MRF1
2MRF1
3MRF1
4MRF1

Front & Top
36" - 62" H

1MRF2
2MRF2
3MRF2
4MRF2

- . Etched tempered glass
- . 1" clear bevel
- . Available in full overlay door styles only
- . **Not** available in High-Gloss Foil door styles
- . **Not** available in Wood-Grain Foil slab door styles
- . **Not** available in arch door styles
- . **Not** available with applied molding doors
- . Change Width (CW) option **not** available
- . Change Height (CH) option **not** available
- . Order Example: W1830R-1MRF1

Prairie Insert



Front & Top
12" - 33" H

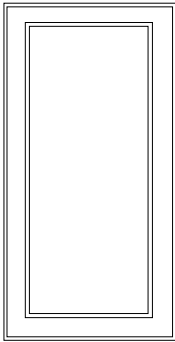
1PRA1
2PRA1
3PRA1
4PRA1

Front & Top
36" - 62" H

1PRA2
2PRA2
3PRA2
4PRA2

- . Clear safety glass
- . 3/8" etched polished V-Groove
- . Recommended for square door styles only
- . **Not** available in High-Gloss Foil door styles
- . **Not** available in Wood-Grain Foil slab door styles
- . Change Width (CW) option **not** available
- . Change Height (CH) option **not** available
- . Order Example: W1830R-1PRA1

Satina Insert



Front
12" - 33" H

1SAT1
2SAT1
3SAT1
4SAT1

Front
36" - 54" H

1SAT2
2SAT2
3SAT2
4SAT2

Front & End
12" - 33" H

2SAT .1E
3SAT .1E

Front & End
36" - 62" H

2SAT .2E
3SAT .2E

Front & Ends Both
12" - 33" H

3SAT .1EB
4SAT .1EB

Front & Ends Both
36" - 62" H

3SAT .2EB
4SAT .2EB

Top
12" - 33" H

1SAT .1T
2SAT .1T

Top
36" - 62" H

1SAT .2T
2SAT .2T

Top & End
12" - 33" H

2SAT .1T.E
3SAT .1T.E

Top & End
36" - 62" H

2SAT .2T.E
3SAT .2T.E

Top & Ends Both
12" - 33" H

3SAT .1T.TEB

4SAT .1T.TEB

Top & Bottom
12" - 33" H (Top & Bottom)

2SAT .1T.1B
4SAT .1T.1B

Top & Bottom
12" - 33" H (Top),
36" - 62" H (Bottom)

2SAT .1T.2B
4SAT .1T.2B

Top & Bottom
36" - 62" H (Top & Bottom)

2SAT .2T.2B
4SAT .2T.2B

Top & Bottom & End
12" - 33" H (Top & Bottom)

4SAT .1T.1B.TE.BE
6SAT .1T.1B.TE.BE

Top & Bottom & End
12" - 33" H (Top),
36" - 62" H (Bottom)

4SAT .1T.2B.TE.BE
6SAT .1T.2B.TE.BE

Top & Bottom & End
36" - 62" H (Top & Bottom)

4SAT .2T.2B.TE.BE
6SAT .2T.2B.TE.BE

Top & Bottom & Ends Both
12" - 33" H (Top & Bottom)

6SAT .1TEB.1BEB
8SAT .1TEB.1BEB

Top & Bottom & Ends Both
12" - 33" H (Top),
36" - 62" H (Bottom)

6SAT .1TEB.2BEB
8SAT .1TEB.2BEB

Bottom
12" - 33" H

1SAT .1B
2SAT .1B

Bottom
36" - 62" H

1SAT .2B
2SAT .2B

Bottom & End
12" - 33" H

2SAT .1B.E
3SAT .1B.E

Bottom & End
36" - 62" H

2SAT .2B.E
3SAT .2B.E

Bottom & Ends Both
12" - 33" H

3SAT .1B.BEB
4SAT .1B.BEB

Bottom & Ends Both
36" - 62" H

3SAT .2B.BEB
4SAT .2B.BEB

- . Etched tempered glass
- . **Not** available in High-Gloss Foil door styles
- . **Not** available in Wood-Grain Foil slab door styles
- . See glass door position availability charts in the front of this section for more information
- . Order Example: PW1836R-2SAT2

Layered Glass

Layered glass combines the durability of tempered glass with a choice of unique materials to create a special effect through color or pattern. The material is “sandwiched” between the glass layers for easy cleaning.

2	MIR	1
quantity	code	height code

Layered glass is available in most door styles, in sizes from 12” wide and up to 62” high.

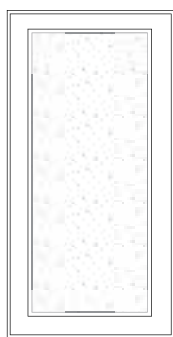
Glass inserts are ordered individually. Place quantity before order code. See examples for individual items.

Material dimensions listed may vary slightly from actual dimensions of the product.

See Construction Options section for specific information on each glass type.

Specifications subject to change without notice.

Antiquity Insert



Front
12" - 33" H

1ATQ1
2ATQ1
3ATQ1
4ATQ1

Front
36" - 62" H

1ATQ2
2ATQ2
3ATQ2
4ATQ2

Front & End
12" - 33" H

2ATQ .1E
3ATQ .1E

Front & End
36" - 62" H

2ATQ .2E
3ATQ .2E

Front & Ends Both
12" - 33" H

3ATQ .1EB
4ATQ .1EB

Front & Ends Both
36" - 62" H

3ATQ .2EB
4ATQ .2EB

Top
12" - 33" H

1ATQ .1T
2ATQ .1T

Top
36" - 62" H

1ATQ .2T
2ATQ .2T

Top & End
12" - 33" H

2ATQ .1T.E
3ATQ .1T.E

Top & End
36" - 62" H

2ATQ .2T.E
3ATQ .2T.E

Top & Ends Both
12" - 33" H

3ATQ .1T.TEB
4ATQ .1T.TEB

Top & Bottom
12" - 33" H (Top & Bottom)

2ATQ .1T.1B
4ATQ .1T.1B

Top & Bottom
12" - 33" H (Top),
36" - 62" H (Bottom)

2ATQ .1T.2B
4ATQ .1T.2B

Top & Bottom
36" - 62" H (Top & Bottom)

2ATQ .2T.2B
4ATQ .2T.2B

Top & Bottom & End
12" - 33" H (Top & Bottom)

4ATQ .1T.1B.TE.BE
6ATQ .1T.1B.TE.BE

Top & Bottom & End
12" - 33" H (Top),
36" - 62" H (Bottom)

4ATQ .1T.2B.TE.BE
6ATQ .1T.2B.TE.BE

Top & Bottom & End
36" - 62" H (Top & Bottom)

4ATQ .2T.2B.TE.BE
6ATQ .2T.2B.TE.BE

Top & Bottom & Ends Both
12" - 33" H (Top & Bottom)

6ATQ .1TEB.1BEB
8ATQ .1TEB.1BEB

Top & Bottom & Ends Both
12" - 33" H (Top),
36" - 62" H (Bottom)

6ATQ .1TEB.2BEB
8ATQ .1TEB.2BEB

Bottom
12" - 33" H

1ATQ .1B
2ATQ .1B

Bottom
36" - 62" H

1ATQ .2B
2ATQ .2B

Bottom & End
12" - 33" H

2ATQ .1B.E
3ATQ .1B.E

Bottom & End
36" - 62" H

2ATQ .2B.E
3ATQ .2B.E

Bottom & Ends Both
12" - 33" H

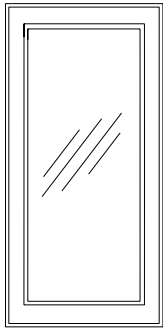
3ATQ .1B.BEB
4ATQ .1B.BEB

Bottom & Ends Both
36" - 62" H

3ATQ .2B.BEB
4ATQ .2B.BEB

- Clear film laminated between pieces of obscured clear glass with droplet (seeded) impressions throughout
- **Not** available in High-Gloss Foil door styles
- **Not** available in Wood-Grain Foil slab door styles
- See glass door position availability charts in the front of this section for more information
- Order Example: W1830R-1ATQ1

Mirage Insert



Front
12" - 33" H

1MIR1
2MIR1
3MIR1
4MIR1

36" - 62" H

1MIR2
2MIR2
3MIR2
4MIR2

Front & End
12" - 33" H

2MIR .1E
3MIR .1E

36" - 62" H

2MIR .2E
3MIR .2E

Front & Ends Both
12" - 33" H

3MIR .1EB
4MIR .1EB

36" - 62" H

3MIR .2EB
4MIR .2EB

Top
12" - 33" H

1MIR .1T
2MIR .1T

36" - 62" H

1MIR .2T
2MIR .2T

Top & End
12" - 33" H

2MIR .1T.E
3MIR .1T.E

36" - 62" H

2MIR .2T.E
3MIR .2T.E

Top & Ends Both
12" - 33" H

3MIR .1T.TEB
4MIR .1T.TEB

Top & Bottom
12" - 33" H (Top & Bottom)

2MIR .1T.1B
4MIR .1T.1B

12" - 33" H (Top),
36" - 62" H (Bottom)

2MIR .1T.2B
4MIR .1T.2B

36" - 62" H (Top & Bottom)

2MIR .2T.2B
4MIR .2T.2B

Top & Bottom & End
12" - 33" H (Top & Bottom)

4MIR .1T.1B.TE.BE
6MIR .1T.1B.TE.BE

12" - 33" H (Top),
36" - 62" H (Bottom)

4MIR .1T.2B.TE.BE
6MIR .1T.2B.TE.BE

36" - 62" H (Top & Bottom)

4MIR .2T.2B.TE.BE
6MIR .2T.2B.TE.BE

Top & Bottom & Ends Both
12" - 33" H (Top & Bottom)

6MIR .1TEB.1BEB
8MIR .1TEB.1BEB

12" - 33" H (Top),
36" - 62" H (Bottom)

6MIR .1TEB.2BEB
8MIR .1TEB.2BEB

Bottom
12" - 33" H

1MIR .1B
2MIR .1B

36" - 62" H

1MIR .2B
2MIR .2B

Bottom & End
12" - 33" H

2MIR .1B.E
3MIR .1B.E

36" - 62" H

2MIR .2B.E
3MIR .2B.E

Bottom & Ends Both
12" - 33" H

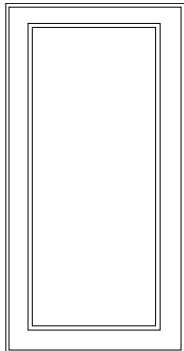
3MIR .1B.BEB
4MIR .1B.BEB

36" - 62" H

3MIR .2B.BEB
4MIR .2B.BEB

- Mirrored glass
- **Not** available in High-Gloss Foil door styles
- **Not** available in Wood-Grain Foil slab door styles
- See glass door position availability charts in the front of this section for more information
- Order Example: W1830R-1MIR1

Silk Insert



Front
12" - 33" H

1SLK1
2SLK1
3SLK1
4SLK1

36" - 62" H

1SLK2
2SLK2
3SLK2
4SLK2

Front & End
12" - 33" H

2SLK .1E
3SLK .1E

36" - 62" H

2SLK .2E
3SLK .2E

Front & Ends Both
12" - 33" H

3SLK .1EB
4SLK .1EB

36" - 62" H

3SLK .2EB
4SLK .2EB

Top
12" - 33" H

1SLK .1T
2SLK .1T

36" - 62" H

1SLK .2T
2SLK .2T

Top & End
12" - 33" H

2SLK .1T.E
3SLK .1T.E

36" - 62" H

2SLK .2T.E
3SLK .2T.E

Top & Ends Both
12" - 33" H

3SLK .1T.TEB
4SLK .1T.TEB

Top & Bottom
12" - 33" H (Top & Bottom)

2SLK .1T.1B
4SLK .1T.1B

12" - 33" H (Top),
36" - 62" H (Bottom)

2SLK .1T.2B
4SLK .1T.2B

36" - 62" H (Top & Bottom)

2SLK .2T.2B
4SLK .2T.2B

Top & Bottom & End
12" - 33" H (Top & Bottom)

4SLK .1T.1B.TE.BE
6SLK .1T.1B.TE.BE

12" - 33" H (Top),
36" - 62" H (Bottom)

4SLK .1T.2B.TE.BE
6SLK .1T.2B.TE.BE

36" - 62" H (Top & Bottom)

4SLK .2T.2B.TE.BE
6SLK .2T.2B.TE.BE

Top & Bottom & Ends Both
12" - 33" H (Top & Bottom)

6SLK .1TEB.1BEB
8SLK .1TEB.1BEB

12" - 33" H (Top),
36" - 62" H (Bottom)

6SLK .1TEB.2BEB
8SLK .1TEB.2BEB

Bottom
12" - 33" H

1SLK .1B
2SLK .1B

36" - 62" H

1SLK .2B
2SLK .2B

Bottom & End
12" - 33" H

2SLK .1B.E
3SLK .1B.E

36" - 62" H

2SLK .2B.E
3SLK .2B.E

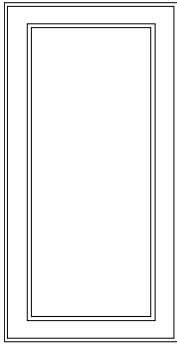
Bottom & Ends Both
12" - 33" H

3SLK .1B.BEB
4SLK .1B.BEB

36" - 62" H

3SLK .2B.BEB
4SLK .2B.BEB

- Frosty white, semitransparent film laminated between safety glass
- **Not** available in High-Gloss Foil door styles
- **Not** available in Wood-Grain Foil slab door styles
- See glass door position availability charts in the front of this section for more information
- Order Example: W1830R-1SLK1



Wintersday Insert

Front & Top
12" - 33" H

1WTD1
2WTD1
3WTD1
4WTD1

Front & Top
36" - 62" H

1WTD2
2WTD2
3WTD2
4WTD2

- . Medium frost decorative paper laminated between pieces of clear glass
- . **Not** available in High-Gloss Foil door styles
- . **Not** available in Wood-Grain Foil slab door styles
- . Order Example: W1830R-1WTD1

Mullion Doors

Mullion door designs combine the beauty of actual wood mullion dividers and wood inserts or clear or textured tempered glass. The wood mullions coordinate with the door and frame in materials and finish. Antiquity, Bistro and Ravenna glass inserts offer a range of views into the cabinet interior, so items behind the glass can be fully exposed or slightly obscured.

2	OX	ATQ	1
quantity	door code	insert code	height code

Decorative molding will **not** be applied to Mullion Doors when ordered in door styles having applied molding on their inside profile.

Mullion doors are available in most door styles, in sizes from 12" wide and up to 42" high. Consult Decorative Doors and Inserts availability chart for specific detail.

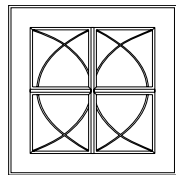
Mullion Doors are ordered individually. Place quantity before order code. See examples for individual items.

Material dimensions listed may vary slightly from actual dimensions of the product.

See Construction Options section for specific information on each glass type.

Specifications subject to change without notice.

Castlegate



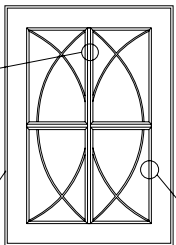
15" - 21" high

Blackened Pewter on Zinc Caming Insert
Front & Top
15" - 33" H

1CGBPB1
2CGBPB1
3CGBPB1
4CGBPB1

Nickel Caming Insert
Front & Top
15" - 33" H

1CGNKB1
2CGNKB1
3CGNKB1
4CGNKB1



24" - 42" high

Blackened Pewter on Zinc Caming Insert
Front & Top
36" - 42" H

1CGBPB2
2CGBPB2
3CGBPB2
4CGBPB2

Nickel Caming Insert
Front & Top
36" - 42" H

1CGNKB2
2CGNKB2
3CGNKB2
4CGNKB2

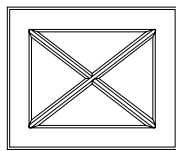
standard mullion profile

outside profile

standard inside profile

- . Ravenna patterned glass
- . Standard Mullion Profile: The outside profile of a Mullion door will match the profile of the selected door style. The inside profile and mullion profile will always be the same, as pictured
- . Only available on doors 15" wide or wider
- . Available in full overlay door styles only
- . **Not** available in Rustic door styles
- . **Not** available in EverCore™ door styles
- . **Not** available in High-Gloss Foil, Thermofoil or Wood-Grain Foil door styles
- . Change Width (CW) option **not** available
- . Change Height (CH) option **not** available
- . If ordered in an arched door style, it will be supplied square
- . For descriptions of the glass or specialty inserts available in Mullion Doors, see Camed Glass, Classic Glass, Etched Glass, Layered Glass, Specialty Inserts and Textured Glass sections within Decorative Doors and Inserts
- . Order Example: W1842R-1CGBPB2

Evansville



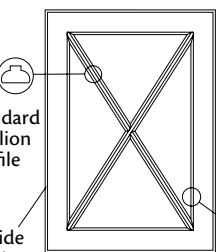
15" - 21" high

Antiquity Glass Insert
Front & Top
15" - 33" H

1EVATQ1
2EVATQ1
3EVATQ1
4EVATQ1

Mirage Glass Insert
Front & Top
36" - 42" H

1EVMIR2
2EVMIR2
3EVMIR2
4EVMIR2



24" - 42" high

Antiquity Glass Insert
Front & Top
36" - 42" H

1EVATQ2
2EVATQ2
3EVATQ2
4EVATQ2

Ravenna Glass Insert
Front & Top
15" - 33" H

1EVRV1
2EVRV1
3EVRV1
4EVRV1

standard mullion profile

outside profile

standard inside profile

Bistro Glass Insert
Front & Top
15" - 33" H

1EV1
2EV1
3EV1
4EV1

Ravenna Glass Insert
Front & Top
36" - 42" H

1EVRV2
2EVRV2
3EVRV2
4EVRV2

Bistro Glass Insert
Front & Top
36" - 42" H

1EV2
2EV2
3EV2
4EV2

Shadow Glass Insert
Front & Top
15" - 33" H

1EVSHW1
2EVSHW1
3EVSHW1
4EVSHW1

Mirage Glass Insert
Front & Top
15" - 33" H

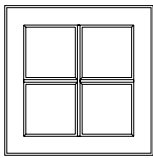
1EVMIR1
2EVMIR1
3EVMIR1
4EVMIR1

Shadow Glass Insert
Front & Top
36" - 42" H

1EVSHW2
2EVSHW2
3EVSHW2
4EVSHW2

- . Standard Mullion Profile: The outside profile of a Mullion door will match the profile of the selected door style. The inside profile and mullion profile will always be the same, as pictured
- . Only available on doors 15" wide or wider
- . Available in full overlay door styles only
- . **Not** available in Rustic door styles
- . **Not** available in EverCore™ door styles
- . **Not** available in High-Gloss Foil, Thermofoil or Wood-Grain Foil door styles
- . Change Width (CW) option **not** available
- . Change Height (CH) option **not** available
- . If ordered in an arched door style, it will be supplied square
- . For descriptions of the glass or specialty inserts available in Mullion Doors, see Camed Glass, Classic Glass, Etched Glass, Layered Glass, Specialty Inserts and Textured Glass sections within Decorative Doors and Inserts
- . Order Example: W1830R-1EVATQ1; W1842R-1EVRV2

Hewitt

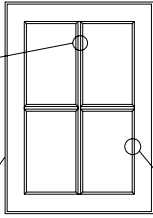


15" - 21"
high

*Antiquity Glass Insert
Front & Top
15" - 33" H*
1HEATQ1
2HEATQ1
3HEATQ1
4HEATQ1

*Ravenna Glass Insert
Front & Top
15" - 33" H*
1HERAV1
2HERAV1
3HERAV1
4HERAV1

- . This design will always be 2 x 2 lites
- . Standard Mullion Profile: The outside profile of a Mullion door will match the profile of the selected door style. The inside profile and mullion profile will always be the same, as pictured



24" - 42"
high

*Antiquity Glass Insert
Front & Top
36" - 42" H*
1HEATQ2
2HEATQ2
3HEATQ2
4HEATQ2

*Ravenna Glass Insert
Front & Top
36" - 42" H*
1HERAV2
2HERAV2
3HERAV2
4HERAV2

- . Only available on doors 15" wide or wider
- . Available in full overlay door styles only
- . **Not** available in Rustic door styles
- . **Not** available in EverCore™ door styles
- . **Not** available in High-Gloss Foil, Thermofoil or Wood-Grain Foil door styles
- . Change Width (CW) option **not** available
- . Change Height (CH) option **not** available
- . If ordered in an arched door style, it will be supplied square

standard
mullion
profile

outside
profile

standard
inside
profile

*Bistro Glass Insert
Front & Top
15" - 33" H*

1HE1
2HE1
3HE1
4HE1

*Shadow Glass Insert
Front & Top
15" - 33" H*

1HESHW1
2HESHW1
3HESHW1
4HESHW1

- . For descriptions of the glass or specialty inserts available in Mullion Doors, see Camed Glass, Classic Glass, Etched Glass, Layered Glass, Specialty Inserts and Textured Glass sections within Decorative Doors and Inserts
- . Order Example: W1830R-1HEATQ1; W1842R-1HERAV2

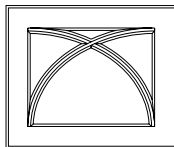
*Bistro Glass Insert
Front & Top
36" - 42" H*

1HE2
2HE2
3HE2
4HE2

*Shadow Glass Insert
Front & Top
36" - 42" H*

1HESHW2
2HESHW2
3HESHW2
4HESHW2

Palladia

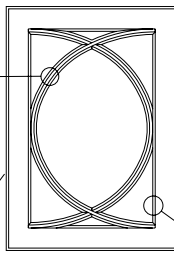


18" - 21"
high

*Antiquity Glass Insert
Front & Top
18" - 33" H*
1PAATQ1
2PAATQ1
3PAATQ1
4PAATQ1

*Mirage Glass Insert
Front & Top
36" - 42" H*
1PAMIR2
2PAMIR2
3PAMIR2
4PAMIR2

- . Standard Mullion Profile: The outside profile of a Mullion door will match the profile of the selected door style. The inside profile and mullion profile will always be the same, as pictured
- . Only available on doors 18" wide (nominal) and wider with stiles and rails 2 3/8" or less
- . Available in full overlay door styles only
- . Available in Cherry and Maple door styles only
- . **Not** available in Rustic door styles



24" - 42"
high

*Antiquity Glass Insert
Front & Top
36" - 42" H*
1PAATQ2
2PAATQ2
3PAATQ2
4PAATQ2

*Ravenna Glass Insert
Front & Top
18" - 33" H*
1PARAV1
2PARAV1
3PARAV1
4PARAV1

- . Change Width (CW) option **not** available
- . Change Height (CH) option **not** available
- . If ordered in an arched door style, it will be supplied square

standard
mullion
profile

outside
profile

standard
inside
profile

*Bistro Glass Insert
Front & Top
18" - 33" H*

1PA1
2PA1
3PA1
4PA1

*Ravenna Glass Insert
Front & Top
36" - 42" H*

1PARAV2
2PARAV2
3PARAV2
4PARAV2

- . For descriptions of the glass or specialty inserts available in Mullion Doors, see Camed Glass, Classic Glass, Etched Glass, Layered Glass, Specialty Inserts and Textured Glass sections within Decorative Doors and Inserts
- . Order Example: W1830R-1PAATQ1; W1842R-1PARAV2

*Bistro Glass Insert
Front & Top
36" - 42" H*

1PA2
2PA2
3PA2
4PA2

*Shadow Glass Insert
Front & Top
18" - 33" H*

1PASHW1
2PASHW1
3PASHW1
4PASHW1

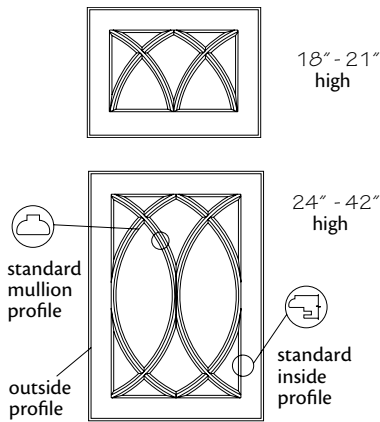
*Mirage Glass Insert
Front & Top
18" - 33" H*

1PAMIR1
2PAMIR1
3PAMIR1
4PAMIR1

*Shadow Glass Insert
Front & Top
36" - 42" H*

1PASHW2
2PASHW2
3PASHW2
4PASHW2

Raleigh



*Antiquity Glass Insert
Front & Top
18" - 33" H*

1RAATQ1
2RAATQ1
3RAATQ1
4RAATQ1

*Antiquity Glass Insert
Front & Top
36" - 42" H*

1RAATQ2
2RAATQ2
3RAATQ2
4RAATQ2

*Bistro Glass Insert
Front & Top
18" - 33" H*

1RA1
2RA1
3RA1
4RA1

*Bistro Glass Insert
Front & Top
36" - 42" H*

1RA2
2RA2
3RA2
4RA2

*Ravenna Glass Insert
Front & Top
18" - 33" H*

1RARAV1
2RARAV1
3RARAV1
4RARAV1

*Ravenna Glass Insert
Front & Top
36" - 42" H*

1RARAV2
2RARAV2
3RARAV2
4RARAV2

*Shadow Glass Insert
Front & Top
18" - 33" H*

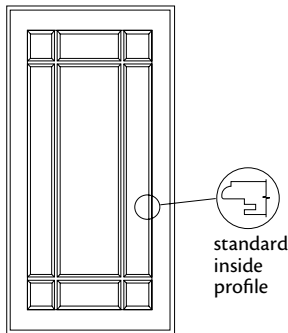
1RASHW1
2RASHW1
3RASHW1
4RASHW1

*Shadow Glass Insert
Front & Top
36" - 42" H*

1RASHW2
2RASHW2
3RASHW2
4RASHW2

- Standard Mullion Profile: The outside profile of a Mullion door will match the profile of the selected door style. The inside profile and mullion profile will always be the same, as pictured
- Only available on doors 18" wide (nominal) and wider with stiles and rails 2 3/8" or less
- Available in full overlay door styles only
- Available in Cherry and Maple door styles only
- Not** available in Rustic door styles
- Change Width (CW) option **not** available
- Change Height (CH) option **not** available
- If ordered in an arched door style, it will be supplied square
- For descriptions of the glass or specialty inserts available in Mullion Doors, see Camed Glass, Classic Glass, Etched Glass, Layered Glass, Specialty Inserts and Textured Glass sections within Decorative Doors and Inserts
- Order Example: W1830R-1RAATQ1; W1842R-1RARAV2

Showcase Mullion



*Antiquity Glass Insert
Front & Top
15" - 33" H*

1SDATQ1
2SDATQ1
3SDATQ1
4SDATQ1

*Antiquity Glass Insert
Front & Top
36" - 42" H*

1SDATQ2
2SDATQ2
3SDATQ2
4SDATQ2

*Bistro Glass Insert
Front & Top
15" - 33" H*

1SD1
2SD1
3SD1
4SD1

*Bistro Glass Insert
Front & Top
36" - 42" H*

1SD2
2SD2
3SD2
4SD2

*Ravenna Glass Insert
Front & Top
15" - 33" H*

1SDRAV1
2SDRAV1
3SDRAV1
4SDRAV1

*Ravenna Glass Insert
Front & Top
36" - 42" H*

1SDRAV2
2SDRAV2
3SDRAV2
4SDRAV2

*Shadow Glass Insert
Front & Top
15" - 33" H*

1SDSHW1
2SDSHW1
3SDSHW1
4SDSHW1

*Shadow Glass Insert
Front & Top
36" - 42" H*

1SDSHW2
2SDSHW2
3SDSHW2
4SDSHW2

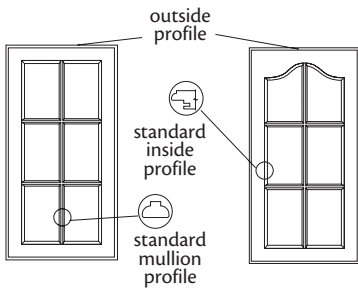
- Standard Mullion Profile: The outside profile of a Mullion door will match the profile of the selected door style. The inside profile and mullion profile will always be the same, as pictured
- Showcase door has 2" x 2" lites in each corner and is always 3 lites wide by 3 lites high
- Center section varies in width and height
- Consult chart for availability
- Not** available in Rustic door styles
- Not** available in EverCore™ door styles
- Not** available in High-Gloss Foil, Thermofoil or Wood-Grain Foil door styles
- Change Width (CW) option **not** available
- Change Height (CH) option **not** available
- If ordered in an arched door style, it will be supplied square
- For descriptions of the glass or specialty inserts available in Mullion Doors, see Camed Glass, Classic Glass, Etched Glass, Layered Glass, Specialty Inserts and Textured Glass sections within Decorative Doors and Inserts
- Order Example: W1830L-1SD1; W1842L-1SDATQ2

Cabinet Width	Nominal Height									
	15"	18"	21"	24"	27"	30"	36"	39"	42"	
*12	●	●					●	●	●	●
15	●	●					●	●	●	●
18	●	●					●	●	●	●
21		●					●	●	●	●
24			●				●	●	●	●
*24BUTT		●					●	●	●	●
27(Butt)	●	●					●	●	●	●
30	●	●	●				●	●	●	●
33	●	●	●				●	●	●	●
36	●	●	●	●			●	●	●	●
39	●		●				●	●	●	●
42		●					●	●	●	●
45			●				●	●	●	●
48	●	●	●				●	●	●	●
WA24				●			●	●	●	●
WCA12					●		●	●	●	●
WEA12					●		●	●	●	●

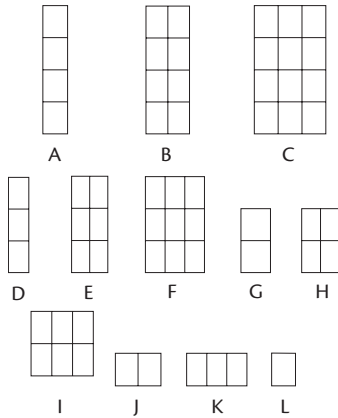
Dark gray shaded sizes feature annealed glass vs tempered glass

***Not** available on door styles with 3" stiles and rails

Traditional Mullion



Lite Configurations



*Antiquity Glass Insert
Front & Top
12" - 33" H*

- 1MDATQ1**
- 2MDATQ1**
- 3MDATQ1**
- 4MDATQ1**

*Antiquity Glass Insert
Front & Top
36" - 42" H*

- 1MDATQ2**
- 2MDATQ2**
- 3MDATQ2**
- 4MDATQ2**

*Bistro Glass Insert
Front & Top
12" - 33" H*

- 1MD1**
- 2MD1**
- 3MD1**
- 4MD1**

*Bistro Glass Insert
Front & Top
36" - 42" H*

- 1MD2**
- 2MD2**
- 3MD2**
- 4MD2**

*Mirage Glass Insert
Front & Top
12" - 33" H*

- 1MDMIR1**
- 2MDMIR1**
- 3MDMIR1**
- 4MDMIR1**

*Mirage Glass Insert
Front & Top
36" - 42" H*

- 1MDMIR2**
- 2MDMIR2**
- 3MDMIR2**
- 4MDMIR2**

*Ravenna Glass Insert
Front & Top
12" - 33" H*

- 1MDRAV1**
- 2MDRAV1**
- 3MDRAV1**
- 4MDRAV1**

*Ravenna Glass Insert
Front & Top
36" - 42" H*

- 1MDRAV2**
- 2MDRAV2**
- 3MDRAV2**
- 4MDRAV2**

*Shadow Glass Insert
Front & Top
12" - 33" H*

- 1MDSHW1**
- 2MDSHW1**
- 3MDSHW1**
- 4MDSHW1**

*Shadow Glass Insert
Front & Top
36" - 42" H*

- 1MDSHW2**
- 2MDSHW2**
- 3MDSHW2**
- 4MDSHW2**

Standard Mullion Profile: The outside profile of a Mullion door will match the profile of the selected door style. The inside profile and mullion profile will always be the same, as pictured

To determine the Mullion Door Lite configuration for your selected cabinet, refer to the chart

Configuration G, J and K will be supplied with annealed glass vs. tempered glass

Not available in Rustic door styles

Not available in EverCore™, High-Gloss Foil or Wood-Grain Foil door styles

Change Width (CW) option **not** available

Change Height (CH) option **not** available

For descriptions of the glass or specialty inserts available in Mullion Doors, see Camed Glass, Classic Glass, Etched Glass, Layered Glass, Specialty Inserts and Textured Glass sections within Decorative Doors and Inserts

Order Example: W1830-1MD1; W1842-1MDATQ2



Remember, matching interior is **not** standard when attaching glass doors to a cabinet. We highly recommend upgrading to matching interior.

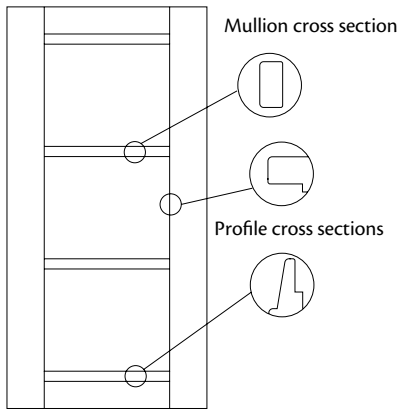


Be sure your customer is aware of the mullion configuration when working with sizes requiring patterns A,D,G, J and K.

Cabinet Width	Nominal Height											
	12"	15"	18"	21"	24"	27"	30"	33"	36"	39"	42"	
12	L	L	G		G		D	D	A	A	A	
15	J	J	H		H	E	E	E	B	B	B	
18	J	J	H		H	E	E	E	B	B	B	
21	K	K	I		I	F	F	F	C	C	C	
24	K		I		I	F	F	F	C	C	C	
24/BUTT	L	L	G		G	D	D	D	A	A	A	
27(Butt)	J	J	H		H	E	E	E	B	B	B	
30/BUTT	J	J	H		H	E	E	E	B	B	B	
33/BUTT	J	J	H		H	E	E	E	B	B	B	
34/BUTT	J	J	H		H	E	E	E	B	B	B	
36/BUTT	J	J	H		H	E	E	E	B	B	B	
37/BUTT	J	J	H		H	E	E	E	B	B	B	
39	K	K	I		I	F	F	F	C	C	C	
42	K	K	I		I	F	F	F	C	C	C	
43	K	K	I									
45	J	J	H		I		F	F	C	C	C	
48	J	J	H		I		F	F	C	C	C	
WR34/BUTT	J	H	H		H	E	E	E				
WR37/BUTT	J	H	H		H	E	E	E				
WR42	K	K	I									
WR43	K	K	I									
WR48	K	K	I									
WA24/27	J	J	H		H		E	E	B	B	B	
(W)EZR24							D	D	A	A	A	
(W)EZR36							D	D	A	A	A	
WCA12	J	H	H		H	E	E	E	B	B	B	

Mullion doors are shipped in the following

Vista Mullion



Nominal Height	# of lites	Height of lites
12"	1	—
15"	1	—
18"	2	5 ¹¹ / ₁₆ "
21"	2	7 ³ / ₁₆ "
24"	2	8 ⁷ / ₁₆ "
26"	2	8 ¹⁵ / ₁₆ "
27"	3	6 ³⁵ / ₆₄ "
30"	3	7 ³⁵ / ₆₄ "
33"	3	8 ³⁵ / ₆₄ "
36"	4	6 ³¹ / ₃₂ "
39"	4	7 ²³ / ₃₂ "
42"	4	8 ¹⁵ / ₃₂ "

*Antiquity Glass Insert
Front & Top
12" - 33" H*

1VSATQ1
2VSATQ1
3VSATQ1
4VSATQ1

*Antiquity Glass Insert
Front & Top
36" - 42" H*

1VSATQ2
2VSATQ2
3VSATQ2
4VSATQ2

*Bistro Glass Insert
Front & Top
12" - 33" H*

1VS1
2VS1
3VS1
4VS1

*Bistro Glass Insert
Front & Top
36" - 42" H*

1VS2
2VS2
3VS2
4VS2

*Ravenna Glass Insert
Front & Top
12" - 33" H*

1VSRAV1
2VSRAV1
3VSRAV1
4VSRAV1

*Ravenna Glass Insert
Front & Top
36" - 42" H*

1VSRAV2
2VSRAV2
3VSRAV2
4VSRAV2

*Shadow Glass Insert
Front & Top
12" - 33" H*

1VSSH1
2VSSH1
3VSSH1
4VSSH1

*Shadow Glass Insert
Front & Top
36" - 42" H*

1VSSH2
2VSSH2
3VSSH2
4VSSH2

- Available in Vista door styles only. Inside profile matches this door style
- Not** available in Rustic door styles
- Not** available in EverCore™ door styles
- Change Width (CW) option **not** available
- Change Height (CH) option **not** available
- For descriptions of the glass or specialty inserts available in Mullion Doors, see Camed Glass, Classic Glass, Etched Glass, Layered Glass, Specialty Inserts and Textured Glass sections within Decorative Doors and Inserts
- Order Example: W1830L-1VSATQ1; W1842R-1VSRAV2

Specialty Inserts

Specialty inserts conceal the contents stored behind the door.

Specialty inserts are available in most door styles, in sizes from 12" wide and up to 62" high.

1	CKB	2
quantity	code	height

Specialty inserts are ordered individually. Place quantity before code. See examples for individual items.

Material dimensions listed may vary slightly from actual dimensions of the product.

Specifications subject to change without notice.

Chalkboard Insert



Front & Top
12" - 33" H

1CKB1

2CKB1

3CKB1

4CKB1

Front & Top
36" - 62" H

1CKB2

2CKB2

3CKB2

4CKB2

- . 3/16" thick
- . Black chalkboard material on both sides
- . **Not** available in High-Gloss Foil door styles
- . **Not** available in Wood-Grain Foil slab door styles
- . Order Example: W3030-2CKB1

Textured Glass

Textured glass includes a variety of patterns that create a translucent view of objects stored behind the door. The shapes and colors of objects remain visible, but their lines are diffused.

2	RAV	1
quantity	code	height code

Textured glass is available in most door styles, in sizes from 12" wide and up to 62" high.

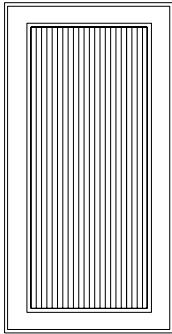
Glass inserts are ordered individually. Place quantity before order code. See examples for individual items.

Material dimensions listed may vary slightly from actual dimensions of the product.

See Construction Options section for specific information on each glass type.

Specifications subject to change without notice.

Cascade Insert



Front
12" - 33" H

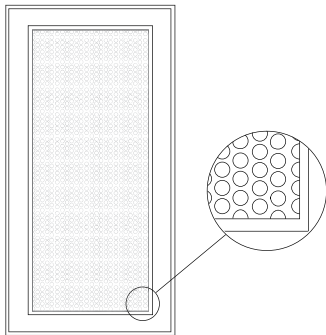
1CAS1
2CAS1
3CAS1
4CAS1

Front
36" - 62" H

1CAS2
2CAS2
3CAS2
4CAS2

- Clear tempered glass with 1/2" wide vertical reeds
- **Not** available in High-Gloss Foil door styles
- **Not** available in Wood-Grain Foil door styles
- Order Example: W1842R-1CAS2

Dolce Insert



Front
12" - 33" H

1DOL1
2DOL1
3DOL1
4DOL1

36" - 62" H

1DOL2
2DOL2
3DOL2
4DOL2

Front & End
12" - 33" H

2DOL .1E
3DOL .1E

36" - 62" H

2DOL .2E
3DOL .2E

Front & Ends Both
12" - 33" H

3DOL .1EB
4DOL .1EB

36" - 62" H

3DOL .2EB
4DOL .2EB

Top
12" - 33" H

1DOL .1T
2DOL .1T

36" - 62" H

1DOL .2T
2DOL .2T

Top & End
12" - 33" H

2DOL .1T.E
3DOL .1T.E

36" - 62" H

2DOL .2T.E
3DOL .2T.E

Top & Ends Both
12" - 33" H

3DOL .1T.TEB
4DOL .1T.TEB

12" - 33" H

3DOL .1T.1B
4DOL .1T.1B

(Top & Bottom)

2DOL .1T.1B
4DOL .1T.1B

12" - 33" H (Top),

36" - 62" H (Bottom)

2DOL .1T.2B
4DOL .1T.2B

36" - 62" H (Top & Bottom)

2DOL .2T.2B
4DOL .2T.2B

Top & Bottom & End
12" - 33" H (Top & Bottom)

4DOL .1T.1B.TE.BE
6DOL .1T.1B.TE.BE

12" - 33" H (Top),
36" - 62" H (Bottom)

4DOL .1T.2B.TE.BE
6DOL .1T.2B.TE.BE

36" - 62" H (Top & Bottom)

4DOL .2T.2B.TE.BE
6DOL .2T.2B.TE.BE

Top & Bottom & Ends Both
12" - 33" H (Top & Bottom)

6DOL .1TEB.1BEB
8DOL .1TEB.1BEB

12" - 33" H (Top),
36" - 62" H (Bottom)

6DOL .1TEB.2BEB
8DOL .1TEB.2BEB

Bottom
12" - 33" H

1DOL .1B
2DOL .1B

36" - 62" H

1DOL .2B
2DOL .2B

Bottom & End
12" - 33" H

2DOL .1B.E
3DOL .1B.E

36" - 62" H

2DOL .2B.E
3DOL .2B.E

Bottom & Ends Both
12" - 33" H

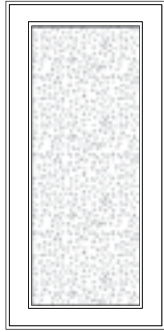
3DOL .1B.BEB
4DOL .1B.BEB

36" - 62" H

3DOL .2B.BEB
4DOL .2B.BEB

- Obscure tempered glass with a uniform pebble pattern
- **Not** available in High-Gloss Foil door styles
- **Not** available in Wood-Grain Foil slab door styles
- See glass door position availability charts in the front of this section for more information
- Order Example: W1830L-1DOL1

Modern Textured Insert



Front & Top
12" - 33" H

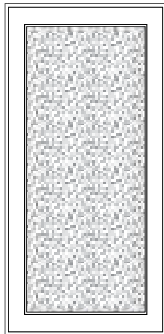
1MRT1
2MRT1
3MRT1
4MRT1

Front & Top
36" - 48" H

1MRT2
2MRT2
3MRT2
4MRT2

- Clear film laminated between pieces of textured obscured clear glass with droplet (seeded) impressions throughout
- Available in full overlay door styles only
- **Not** available in Wood-Grain Foil slab door styles
- **Not** available in High-Gloss Foil door styles
- **Not** available on doors wider than 24"
- Order Example: W1830L-1MRT1

Moire Insert



Front & Top
12" - 33" H

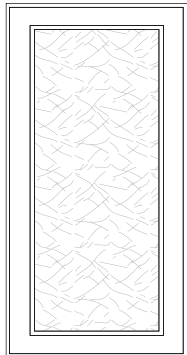
1MOI1
2MOI1
3MOI1
4MOI1

Front & Top
36" - 48" H

1MOI2
2MOI2
3MOI2
4MOI2

- Coarse pebbled glass
- **Not** available in High-Gloss Foil door styles
- **Not** available in Wood-Grain Foil slab door styles
- Order Example: PW3042-4MOI2

Ravenna Insert



Front
12" - 33" H

1RAV1
2RAV1
3RAV1
4RAV1

36" - 48" H

1RAV2
2RAV2
3RAV2
4RAV2

Front & End
12" - 33" H

2RAV .1E
3RAV .1E
2RAV .2E
3RAV .2E

Front & Ends Both
12" - 33" H

3RAV .1EB
4RAV .1EB
3RAV .2EB
4RAV .2EB

36" - 48" H

Top
12" - 33" H

1RAV .1T
2RAV .1T

36" - 48" H

1RAV .2T
2RAV .2T

Top & End
12" - 33" H

2RAV .1T.E
3RAV .1T.E

36" - 48" H

2RAV .2T.E
3RAV .2T.E
3RAV .1T.TEB
4RAV .1T.TEB

Top & Ends Both
12" - 33" H

3RAV .1T.TEB
4RAV .1T.TEB

Top & Bottom
12" - 33" H (Top & Bottom)

2RAV .1T.1B
4RAV .1T.1B
2RAV .1T.2B
4RAV .1T.2B

12" - 33" H (Top),
36" - 48" H (Bottom)

Top & Bottom & End
12" - 33" H (Top & Bottom)

4RAV .1T.1B.TE.BE
6RAV .1T.1B.TE.BE

12" - 33" H (Top),
36" - 48" H (Bottom)

4RAV .1T.2B.TE.BE
6RAV .1T.2B.TE.BE

Top & Bottom & Ends Both
12" - 33" H (Top & Bottom)

6RAV .1TEB.1BEB
8RAV .1TEB.1BEB

12" - 33" H (Top),
36" - 48" H (Bottom)

6RAV .1TEB.2BEB
8RAV .1TEB.2BEB

Bottom
12" - 33" H

1RAV .1B
2RAV .1B
1RAV .2B
2RAV .2B

36" - 48" H

Bottom & End
12" - 33" H

2RAV .1B.E
3RAV .1B.E

36" - 48" H

2RAV .2B.E
3RAV .2B.E

Bottom & Ends Both
12" - 33" H

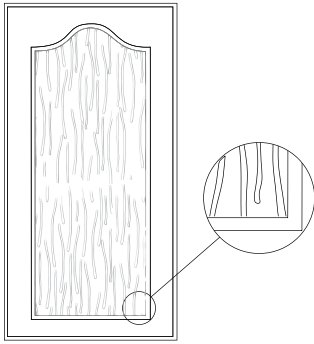
3RAV .1B.BEB
4RAV .1B.BEB

36" - 48" H

3RAV .2B.BEB
4RAV .2B.BEB

- Clear tempered "spider web" glass duplicating the look of antique hand blown glass
- **Not** available in High-Gloss Foil door styles
- **Not** available in Wood-Grain Foil slab door styles
- See glass door position availability charts in the front of this section for more information
- Order Example: W1830L-1RAV1

Styx Insert



Front & Top
12" - 33" H

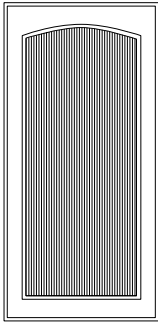
1STY1
2STY1
3STY1
4STY1

Front & Top
36" - 62" H

1STY2
2STY2
3STY2
4STY2

- . Obscure patterned tempered glass
- . **Not** available in High-Gloss Foil door styles
- . **Not** available in Wood-Grain Foil slab door styles
- . Order Example: W3636-2STY2

Vauxhall Insert



Front & Top
12" - 33" H

1VAU1
2VAU1
3VAU1
4VAU1

Front & Top
36" - 62" H

1VAU2
2VAU2
3VAU2
4VAU2

- . Obscure tempered glass with 1/8" wide vertical reeds
- . **Not** available in High-Gloss Foil door styles
- . **Not** available in Wood-Grain Foil slab door styles
- . Order Example: W1830R-1VAU1



Remember, matching interior is **not** standard when attaching glass doors to a cabinet. We highly recommend upgrading to matching interior.

Notes

LED Lighting

LED is an energy efficient source for kitchen and bath lighting needs.

Puck and strip lights have 3000K light color (warm white). All products are 24V DC power. All wires are white.

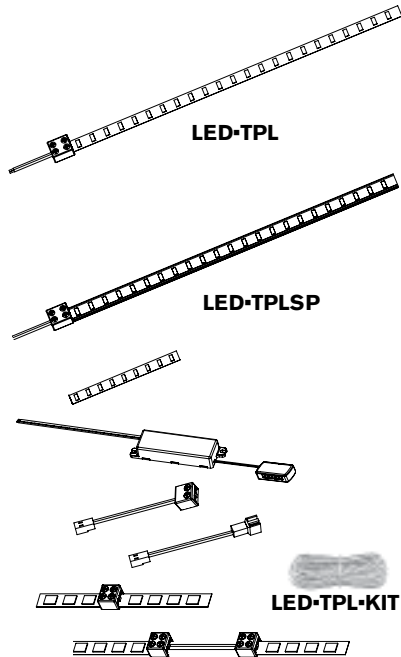
Each LED light is tested at 50,000 hours of run time. LED products carry a limited warranty.

Specifications are subject to change without notice.

LED

code

LED Flexible Strip Tape Light



LED Flexible Strip Tape Light

LED.TPL

LED Flexible Strip Splash Proof Tape Light

LED.TPLSP

LED Flexible Strip Tape Light Kit

★ LED.TPL.KIT

★ Kit includes:

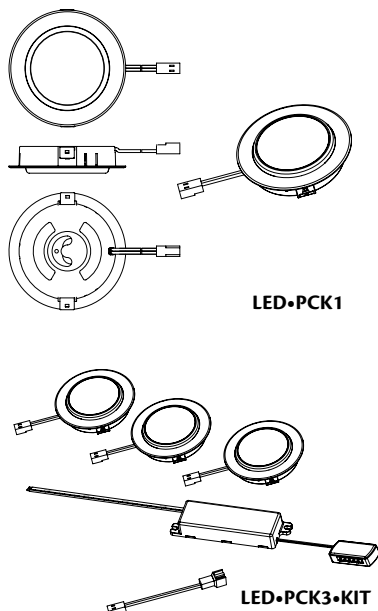
- (1) LED Flexible Strip Tape Light (LED-TPL)
- (1) DayBreak Dimmable Driver 40W (LED-DDR40)
- (2) 8' Power Cables (LED-PC)
- (2) End-to-End Connectors (LED-ETEC)
- (3) Connector Kits for Wire Length (LED-CLC)
- (1) Stranded Copper Wire (LED-SCW25)

- Standard LED flexible strip tape with self adhesive backing
- 16.4' long; 0.32" wide; ~0.15" tall; 300 diodes; 18W
- Warm white illumination
- 120 degree beam angle, 84 lumens per foot
- A power cable (LED.PC) is required to connect strip tape lighting to a power supply. Strip tape lengths **cannot** exceed 16.4' out of a single power supply port. An additional power cable (LED.PC) plugged into an unused power supply port is required for applications exceeding 16.4'. Make sure power supplies are **not** overloaded based on watt capacity. See "LED Power Supply" section for capacity details
- For use under-cabinet, over-cabinet, toe kick and cabinet interiors
- Use LED-TPLSP for splash zones i.e. toe-kick space
- Custom lengths can be cut in increments of 2", **not** to exceed a total of 16.4'. Use End-to-End Connector (LED-ETEC) to join custom lengths
- Use Connector Kit for Custom Wire Length (LED-CLC) with Standard Copper Wire (LED-SCW25) to navigate corners or other obstacles
- Use Motion Sensor Switch (LED-MSS) for controlling interior cabinet lighting
- Use 8' Power Extension Cables (LED-PEC8) to increase distance between power supply and beginning of LED flexible strip run



Installers **must** clean and prepare surface prior to installation. An alcohol pad works well to remove oils

LED Puck Light



LED.PCK1

★ LED.PCK3.KIT

★ Kit includes:

- (3) LED Puck Lights (LED-PCK1)
- (1) DayBreak Dimmable Driver 40W (LED-DDR40)
- (2) 8' Power Extension Cables (LED-PEC8)

- One light with 8' power cable; 2.4W
- Warm white illumination
- 12 degree directional swivel
- 144 lumens; 70 degree beam angle
- For surface mount or recess installation
- Units are 2 9/16" diameter. Requires 2 1/4" diameter circle cut out for recess installation
- Use 8' power extension cables (LED-PEC8) to extend the distance between lights and power supply



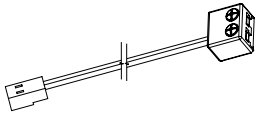
Under Cabinet Panel (PUCP, UCP OR UCPWA) provides a clean, built-in look for under cabinet installation



8' Power Cable

LED.PC

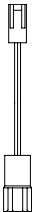
- Cable has male connector on one end and flexible strip connector on the other
- Used to start the flexible strip light run



8' Power Extension Cable

LED.PEC8

- Cable has male connector on one end and female connector on the other
- Used to extend the distance between the power supply and the light source
- Several cables may be connected to extend the length if needed



Connector Kit for Custom Wire Length

LED.CLC

- Contains two connectors
- For use when adding a cut-to-length wire section to navigate LED Flexible Strip Tape Light (LED•TPL or LED•TPLSP) around corners or obstacles



End-to-End Connector

LED.ETEC

- Connects two pieces of LED Flexible Strip Tape Lights (LED•TPL or LED•TPLSP) end to end



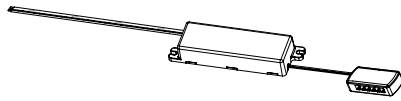
Stranded Copper Wire

LED.SCW25

- Use with Connector Kit (LED•CLC) for custom wire length



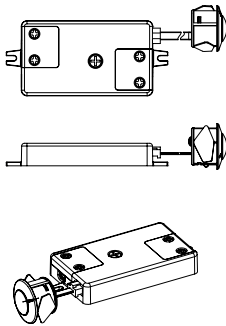
DayBreak Dimmable Driver



40 Watts
LED.DDR40

- -24V DC; 40 W, 12 port connector block can be used for up to 40 total watts of lighting
- Requires electrical outlet or junction box to connect to power
- Converts 120V AC power to 24V DC power
- Can be used with most standard TRIAC wall dimmers (ex. Lutron DVWCL-153PDH). Verify compatibility with switch manufacturer's specifications
- Comes with a 5' long power cord and optional plug head

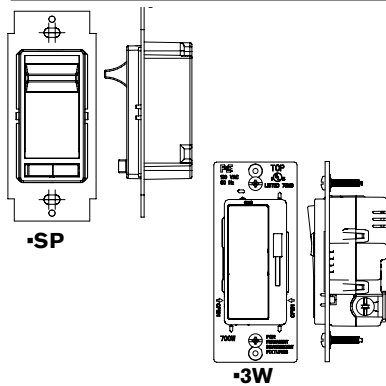
Motion Sensor On/Off Switch



LED.MSS

- Medium range motion sensor ideal for interior cabinet installation. Lights are activated by motion of opening cabinet doors
- Includes 12-port connector block
- One switch can be used to activate lighting for single or double door cabinets
- Adjustable timer controls the length of time lights remain on; up to 6 minutes
- 5' long cable between sensor and controller
- The sensor eye **must** be recess mounted and requires a 20mm hole

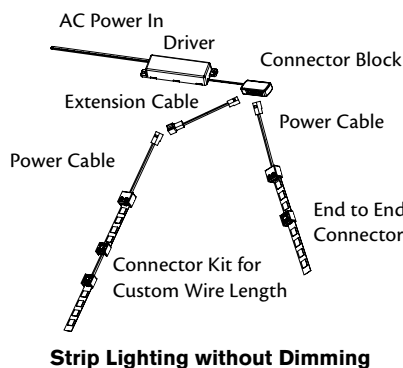
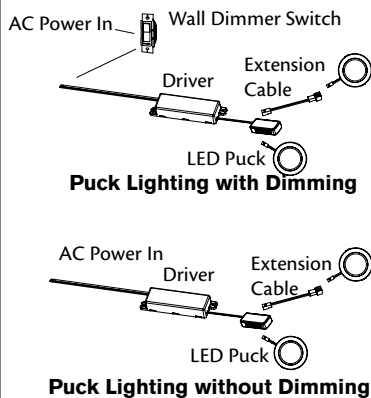
Low Voltage LED Wall Dimmer Switch



LED.WDS.3W
LED.WDS.SP

- White, wall dimmer switch for single gang box
- Functions as both an on/off and dimmer switch
- Use LED-WDS-3W for rooms with multiple entrances and switches
- Use LED-WDS-SP for rooms with a single entrance and switch
- Faceplate **not** included. Purchase separately to match decor

LED Connection Options



- Our products are designed to give you the ultimate versatility in designing lighting solutions. The following examples show the use of puck lighting and strip lighting, along with the various accessories:
- The best power source for LED Lighting is called a driver. The patented technology in your driver allows it to be used as both a dimmable driver and a regular driver. The driver is powered by standard AC line voltage of 120VAC. The driver can be plugged into an outlet by using the plug head included or can be hardwired into a junction box
- Puck lights attach to the driver in a "hub and spoke" configuration. The driver has a 12-port connector block. Each light comes equipped with a 98" power lead. Should you require a longer power lead, use a power extension cord
- Each run of strip lights attach to the driver in a "hub and spoke" configuration. The driver has a 12-port connector block. Each series of strips require the use of one power cable. Should you require a longer power lead, use a power extension cable
- Connectors allow you to run more than one segment of LED strip from a single power cable. The End to End Connector joins smaller pieces of LED tape together to form longer segments. For example, if you are installing toe kick lighting, but need to skip past the refrigerator, use the Connector Kit for Custom Wire Length. After wiring around the refrigerator, you can continue your lighting on the other side



Do **not** attach more lights than the driver has wattage to support

Supports and Valances

Construction Options and Modifications

- ❖ Included as standard
- Available with an upcharge
- ☆ Available with exceptions
- (Blank) **Not** available

A	Alder
C	Cherry
E	EverCore™
H	Hickory
TH	Thermofoil
HG	High-Gloss Foil
WG	Wood-Grain Foil
M	Maple
O	Oak
QS	Quartersawn

CTS

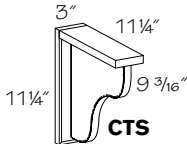
code

Valance backs are **not** finished.

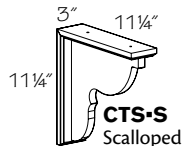
Material dimensions listed may vary slightly from actual dimensions of the product.

Specifications subject to change without notice.

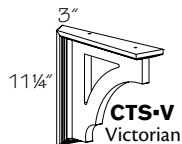
Countertop Support



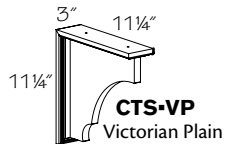
CTS



CTS.S
Scalloped



CTS.V
Victorian



CTS.VP
Victorian Plain

■ **CTS**

Scalloped

■ **CTS.S**

Victorian

CTS.V

Victorian Plain

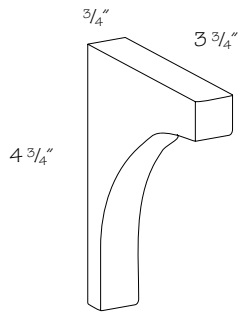
CTS.VP

- **Not** available in Wood-Grain Foil door styles

- Solid wood
- Painted or Stained hardwood supplied for Wood-Grain Foil door styles
- For use when extra support for shelves or overhanging countertop is required
- ☆ Quartersawn door styles are supplied plain sawn

❖	A
❖	C
❖	E
❖	H
❖	TH
	HG
☆	WG
❖	M
❖	O
☆	QS

Mission Angle Support

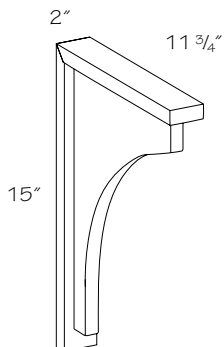


MAS

- Solid wood
- Painted hardwood supplied for EverCore™
- Corner piece from shelf support bracket only
- **Not** available in Reduced Depth (RD)

❖	A
❖	C
❖	E
	H
	TH
	HG
	WG
❖	M
	O
☆	QS

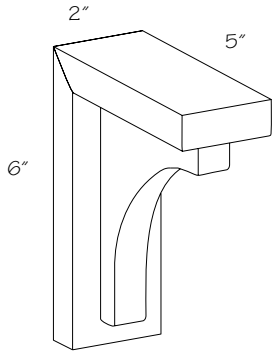
Mission Countertop Support



MCTS

- Solid wood
- Painted hardwood supplied for EverCore™
- For use when extra support for shelves or overhanging countertop is required
- **Not** available in Reduced Depth (RD)

❖	A
❖	C
❖	E
	H
	TH
	HG
	WG
❖	M
	O
❖	QS

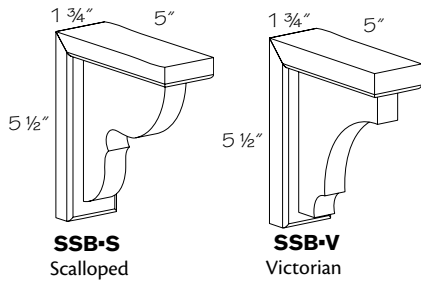


Mission Shelf Support Bracket

MSSB

- Solid wood
- Painted hardwood supplied for EverCore™
- Plain sawn material supplied for Bristow Crafted door styles
- **Not** available in Reduced Depth (RD)

❖	A
❖	C
❖	E
	H
	TH
	HG
	WG
❖	M
	O
❖	QS



Shelf Support Bracket

Scalloped

SSB .S

Victorian

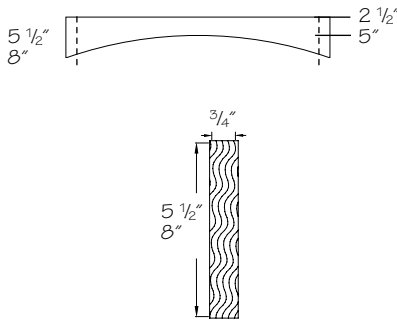
■ **SSB .V**

■ **Not** available in Wood-Grain Foil door styles

- Painted hardwood supplied for EverCore™ and Thermofoil
- Painted or Stained hardwood supplied for Wood-Grain Foil door styles
- ☆ Quartersawn door styles are supplied plain sawn

❖	A
❖	C
❖	E
❖	H
❖	TH
	HG
☆	WG
❖	M
❖	O
☆	QS

Valance Cove



5 1/2" high

V18 CV

V21 CV

V24 CV

V27 CV

V30 CV

V33 CV

V36 CV

V39 CV

V42 CV

V45 CV

V48 CV

V51 CV

V54 CV

V57 CV

V60 CV

V63 CV

V66 CV

V69 CV

V72 CV

V75 CV

V78 CV

V81 CV

V84 CV

V87 CV

V90 CV

V93 CV

V96 CV

8" high

V1808 CV

V2108 CV

V2408 CV

V2708 CV

V3008 CV

V3308 CV

V3608 CV

V3908 CV

V4208 CV

V4508 CV

V4808 CV

V5108 CV

V5408 CV

V5708 CV

V6008 CV

V6308 CV

V6608 CV

V6908 CV

V7208 CV

V7508 CV

V7808 CV

V8108 CV

V8408 CV

V8708 CV

V9008 CV

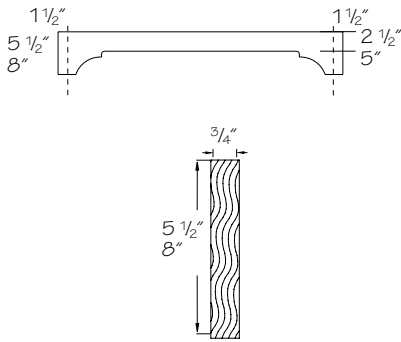
V9308 CV

V9608 CV

- 3/4" thick solid wood
- Painted hardwood supplied for EverCore™ and Thermofoil
- Painted or Stained hardwood supplied for Wood-Grain Foil door styles
- Can be trimmed in field 1 1/2" each end, but will compromise design by reducing height
- ☆ Quartersawn door styles are supplied plain sawn

❖	A
❖	C
❖	E
❖	H
❖	TH
	HG
❖	WG
❖	M
❖	O
☆	QS

Valance Crown

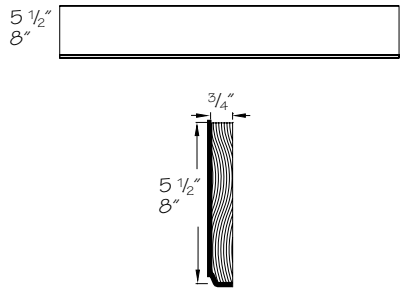


5 1/2" high		8" high	
V18 CR	V1808 CR		
V21 CR	V2108 CR		
V24 CR	V2408 CR		
V27 CR	V2708 CR		
V30 CR	V3008 CR		
V33 CR	V3308 CR		
V36 CR	V3608 CR		
V39 CR	V3908 CR		
V42 CR	V4208 CR		
V45 CR	V4508 CR		
V48 CR	V4808 CR		
V51 CR	V5108 CR		
V54 CR	V5408 CR		
V57 CR	V5708 CR		
V60 CR	V6008 CR		
V63 CR	V6308 CR		
V66 CR	V6608 CR		
V69 CR	V6908 CR		
V72 CR	V7208 CR		
V75 CR	V7508 CR		
V78 CR	V7808 CR		
V81 CR	V8108 CR		
V84 CR	V8408 CR		
V87 CR	V8708 CR		
V90 CR	V9008 CR		
V93 CR	V9308 CR		
V96 CR	V9608 CR		

- 3/4" thick solid wood
- Painted hardwood supplied for EverCore™ and Thermofoil
- Painted or Stained hardwood supplied for Wood-Grain Foil door styles
- Can be trimmed in field 1 1/2" each end
- ☆ Quartersawn door styles are supplied plain sawn

❖	A
❖	C
❖	E
❖	H
❖	TH
	HG
❖	WG
❖	M
❖	O
☆	QS

Valance Traditional

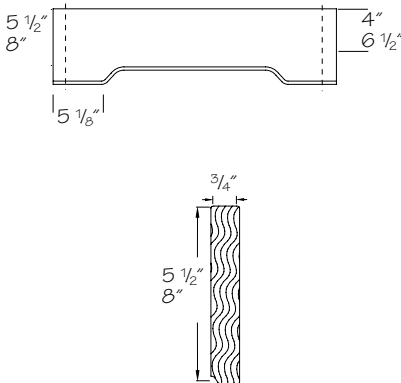


5 1/2" high		8" high	
V18 T	V1808 T		
V24 T	V2408 T		
V30 T	V3008 T		
V36 T	V3608 T		
V48 T	V4808 T		
V60 T	V6008 T		
V72 T	V7208 T		
V84 T	V8408 T		
V96 T	V9608 T		

- 3/4" thick solid wood
- Painted hardwood supplied for EverCore™ and Thermofoil
- Painted or Stained hardwood supplied for Wood-Grain Foil door styles
- Trimmable in field
- Can be used as furniture valance
- ☆ Quartersawn door styles are supplied plain sawn

❖	A
❖	C
❖	E
❖	H
❖	TH
	HG
❖	WG
❖	M
❖	O
☆	QS

Valance Furniture

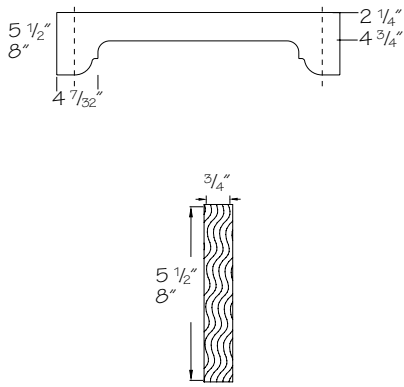


5 1/2" high		8" high	
V18 F	V1808 F		
V21 F	V2108 F		
V24 F	V2408 F		
V27 F	V2708 F		
V30 F	V3008 F		
V33 F	V3308 F		
V36 F	V3608 F		
V39 F	V3908 F		
V42 F	V4208 F		
V45 F	V4508 F		
V48 F	V4808 F		
V51 F	V5108 F		
V54 F	V5408 F		
V57 F	V5708 F		
V60 F	V6008 F		
V63 F	V6308 F		
V66 F	V6608 F		
V69 F	V6908 F		
V72 F	V7208 F		
V75 F	V7508 F		
V78 F	V7808 F		
V81 F	V8108 F		
V84 F	V8408 F		
V87 F	V8708 F		
V90 F	V9008 F		
V93 F	V9308 F		
V96 F	V9608 F		

- 3/4" thick solid wood
- Painted hardwood supplied for EverCore™ and Thermofoil
- Painted or Stained hardwood supplied for Wood-Grain Foil door styles
- Can be trimmed in field 1 1/2" each end
- ☆ Quartersawn door styles are supplied plain sawn

❖	A
❖	C
❖	E
❖	H
❖	TH
	HG
❖	WG
❖	M
❖	O
☆	QS

Valance Corbel

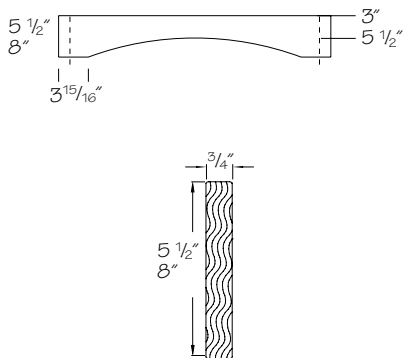


<i>5 1/2" high</i>	<i>8" high</i>
V18 CB	V1808 CB
V21 CB	V2108 CB
V24 CB	V2408 CB
V27 CB	V2708 CB
V30 CB	V3008 CB
V33 CB	V3308 CB
V36 CB	V3608 CB
V39 CB	V3908 CB
V42 CB	V4208 CB
V45 CB	V4508 CB
V48 CB	V4808 CB
V51 CB	V5108 CB
V54 CB	V5408 CB
V57 CB	V5708 CB
V60 CB	V6008 CB
V63 CB	V6308 CB
V66 CB	V6608 CB
V69 CB	V6908 CB
V72 CB	V7208 CB
V75 CB	V7508 CB
V78 CB	V7808 CB
V81 CB	V8108 CB
V84 CB	V8408 CB
V87 CB	V8708 CB
V90 CB	V9008 CB
V93 CB	V9308 CB
V96 CB	V9608 CB

- 3/4" thick solid wood
- Can be trimmed in field 1 1/2" each end
- Painted hardwood supplied for EverCore™ and Thermofoil
- Painted or Stained hardwood supplied for Wood-Grain Foil door styles
- ☆ Quartersawn door styles are supplied plain sawn

❖	A
❖	C
❖	E
❖	H
❖	TH
	HG
❖	WG
❖	M
❖	O
☆	QS

Valance Shaker

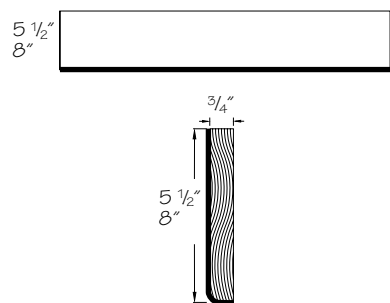


<i>5 1/2" high</i>	<i>8" high</i>
V18 SH	V1808 SH
V21 SH	V2108 SH
V24 SH	V2408 SH
V27 SH	V2708 SH
V30 SH	V3008 SH
V33 SH	V3308 SH
V36 SH	V3608 SH
V39 SH	V3908 SH
V42 SH	V4208 SH
V45 SH	V4508 SH
V48 SH	V4808 SH
V51 SH	V5108 SH
V54 SH	V5408 SH
V57 SH	V5708 SH
V60 SH	V6008 SH
V63 SH	V6308 SH
V66 SH	V6608 SH
V69 SH	V6908 SH
V72 SH	V7208 SH
V75 SH	V7508 SH
V78 SH	V7808 SH
V81 SH	V8108 SH
V84 SH	V8408 SH
V87 SH	V8708 SH
V90 SH	V9008 SH
V93 SH	V9308 SH
V96 SH	V9608 SH

- 3/4" thick solid wood
- Can be trimmed in field 1 1/2" each end
- Painted hardwood supplied for EverCore™ and Thermofoil
- Painted or Stained hardwood supplied for Wood-Grain Foil door styles
- ☆ Quartersawn door styles are supplied plain sawn

❖	A
❖	C
❖	E
❖	H
❖	TH
	HG
❖	WG
❖	M
❖	O
☆	QS

Valance Contemporary

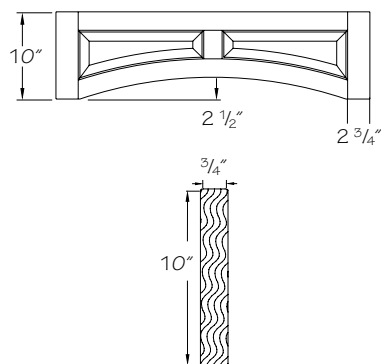


5 1/2" high	8" high
V18 C	V1808 C
V24 C	V2408 C
V30 C	V3008 C
V36 C	V3608 C
V48 C	V4808 C
V60 C	V6008 C
V72 C	V7208 C
V84 C	V8408 C
V96 C	V9608 C

- 3/4" thick solid wood
- Painted hardwood supplied for EverCore™ and Thermofoil
- Foil-wrapped MDF supplied for Wood-Grain Foil door styles
- Trimmable in field
- ☆ Quartersawn door styles are supplied plain sawn

❖	A
❖	C
❖	E
❖	H
❖	TH
	HG
❖	WG
❖	M
❖	O
☆	QS

Valance Raised Panel

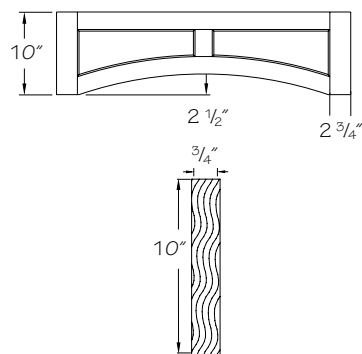


V30 RP
V36 RP
V42 RP
V48 RP
V54 RP
V60 RP

- 3/4" thick solid wood
- **Not** trimmable
- Painted hardwood supplied for EverCore™ and Thermofoil
- Painted or Stained hardwood supplied for Wood-Grain Foil door styles
- ☆ Quartersawn door styles are supplied plain sawn

❖	A
❖	C
❖	E
❖	H
❖	TH
	HG
❖	WG
❖	M
❖	O
☆	QS

Valance Flat Panel

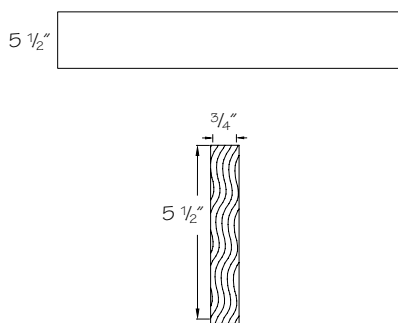


V30 FP
V36 FP
V42 FP
V48 FP
V54 FP
V60 FP

- 3/4" thick solid wood
- **Not** trimmable
- Painted hardwood supplied for EverCore™ and Thermofoil
- Painted or Stained hardwood supplied for Wood-Grain Foil door styles
- ☆ Quartersawn door styles are supplied plain sawn

❖	A
❖	C
❖	E
❖	H
❖	TH
	HG
❖	WG
❖	M
❖	O
☆	QS

Valance Straight



V18 ST
V24 ST
V30 ST
V36 ST
V42 ST
V48 ST
V60 ST
V72 ST
V84 ST

- 3/4" thick solid wood
- Painted hardwood supplied for EverCore™
- Foil-wrapped MDF supplied for Wood-Grain Foil door styles
- Trimmable in field

❖	A
❖	C
❖	E
❖	H
	TH
	HG
❖	WG
❖	M
❖	O
❖	QS

Molding

Construction Options and Modifications

A	Alder
C	Cherry
E	EverCore™
H	Hickory
TH	Thermofoil
HG	High-Gloss Foil
WG	Wood-Grain Foil
M	Maple
O	Oak
QS	Quartersawn

ACM	8
code	length

- ❖ Included as standard
- Available with an upcharge
- ☆ Available with exceptions
- (Blank) **Not** available

We offer numerous moldings for decorative and finished applications. Moldings are available in some or all wood species. See chart for coding.

Material dimensions listed may vary slightly from actual dimensions of the product.

All molding ordered in quartersawn door styles will be supplied standard oak unless otherwise noted.

Moldings are **not** supplied in High-Gloss laminate and will be supplied with a matte sheen.

Specifications subject to change without notice.

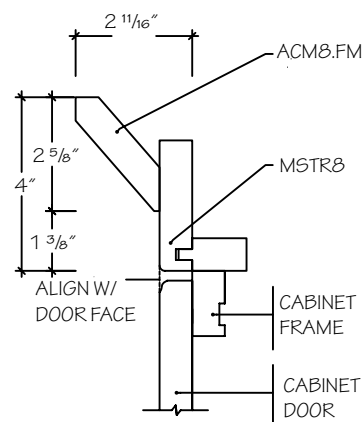
Note: Heavy, dark lines indicate finished surfaces.

Molding Stack Information



Supplies for installation

- Miter saw and sharp blade
- Screw gun, drill and bits
- 23 and 18 gauge pins and pinners
- Air compressor and hoses
- Laser or level
- Touch up kit and materials
- White soft rag
- Wood glue
- Clamps
- Hammer, nail set or spring loaded nail set
- Tape measure
- 4 ft. and 6 ft. ladder
- #2 pencil, white pencil and sharpener
- Cover for work area

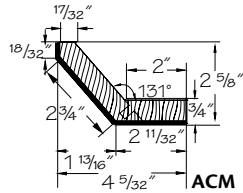


Installation Tips:

- Cover countertops and work area to ensure a clean, free from damage work situation.
- Use a nail gun with a 23 gauge pin for trim. Standard is typically 18 gauge, however the 23 gauge micro pin makes smallest holes to minimize fill work.
- Expect to lose up to 4"- 7" per cut when planning molding requirements.
- Apply finish material to the cut edges using a Touch Up Pen prior to joining the pieces together. This step will help conceal raw edges if the joint is slightly off.
- Start from either the right or left side when setting the top molding in place. Determine the desired overhang to wall cabinetry and door overlay type. Molding is typically pulled so the bottom edge is flush with the door face, however, the final overhang can be set to the customer's preference. Use the same process for under cabinet molding installation.
- Using Starter Molding is recommended, although, scrap material may be used as mounting blocks as long as they are **not** exposed after installation is complete. Use construction adhesive.
- Side return moldings: Cabinets with decorative end panels applied should have the same overhang as the face. For cabinets that have flush end panels, an overhang of 1/4" is recommended.
- Brad nail and pin length will be determined by the molding thickness (1/2" to 2" should suffice). Starter Molding or mounting blocks can be screwed into place instead of using nails or pins (**Note:** Drilling pilot holes is required when using screws. Be sure to use the proper screw length—based on material thickness). Using wood glue at the joints is recommended.
- After installation is complete, use a fill stick and touch up pen to fill nail holes, fine-tune miter joints and repair other blemishes that may have occurred during the installation process. Wipe clean using a soft cotton cloth.



To add Molding Stacks in your 2020 Design, locate them in the Drag 'N Drop list under: Moldings>Top Moldings>Pre-Stacked Moldings. To view the PDFs, right-click on a specific stack and go to specs.

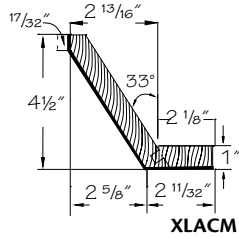


Angle Crown Molding

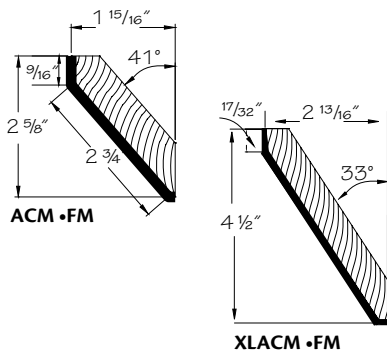
ACM8
ACM10
Extra Large
XLACM8
XLACM10

- Solid wood
- Angle Crown Molding (ACM) has foil-wrapped MDF and Extra Large Angle Crown Molding (XLACM) has painted hardwood supplied for White Thermofoil
- Painted hardwood supplied for EverCore™, Cream Thermofoil and 10' molding
- Plain sawn material supplied for Bristow Crafted door styles
- Will have rustic characteristics when ordered in rustic door styles
- The mounting cleat is finished but is **not** a matching wood species to the face
- The mounting cleat is **not** intended to be exposed after installation
- Offered in 8' and 10' lengths

❖	A
❖	C
❖	E
❖	H
❖	TH
	HG
❖	WG
❖	M
❖	O
❖	QS



Remember to order "Furniture Ends" (FPEB) or a Wood Skin (WSK) for wall cabinets that will be at the end of a run when applying decorative moldings. This will result in a flush application on the return.

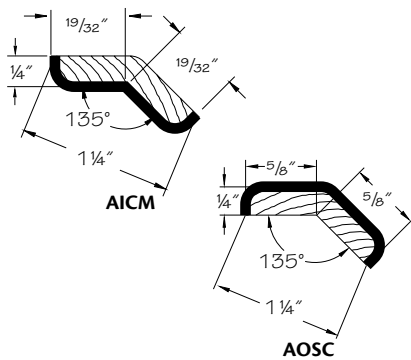


Angle Crown Molding-Face-Mount

ACM8 .FM
ACM10 .FM
Extra Large
XLACM8 .FM
XLACM10 .FM

- Solid wood
- Painted hardwood supplied for EverCore™ and Thermofoil
- Painted or Stained hardwood supplied for Wood-Grain Foil door styles
- Will have rustic characteristics when ordered in rustic door styles
- Offered in 8' and 10' lengths

❖	A
❖	C
❖	E
❖	H
❖	TH
	HG
❖	WG
❖	M
❖	O
❖	QS

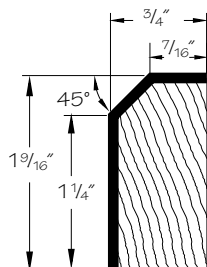


Angled Corner Molding

Inside
AICM8
Outside
AOSC8

- Solid wood
- Painted hardwood supplied for EverCore™ and Thermofoil
- Painted or Stained hardwood supplied for Wood-Grain Foil door styles
- Crafted or Quartersawn door styles will be supplied in plain sawn wood
- Offered in 8' lengths

❖	A
❖	C
❖	E
❖	H
❖	TH
	HG
❖	WG
❖	M
❖	O
❖	QS



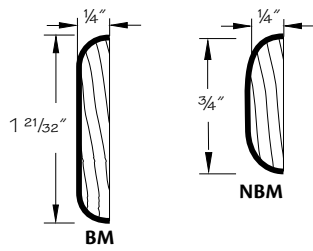
Angled Wood Edge

AWE8

- Solid wood
- Painted hardwood supplied for EverCore™ and Thermofoil
- Painted or Stained hardwood supplied for Wood-Grain Foil door styles
- Crafted or Quartersawn door styles will be supplied in plain sawn wood
- Offered in 8' lengths

❖	A
❖	C
❖	E
❖	H
❖	TH
	HG
❖	WG
❖	M
❖	O
❖	QS

Batten Molding

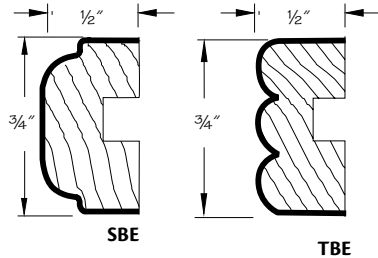


BM8
Narrow
NBM8

- Solid wood
- Painted hardwood supplied for EverCore™ and Thermofoil
- Painted or Stained hardwood supplied for Wood-Grain Foil door styles
- Crafted or Quartersawn door styles will be supplied in plain sawn wood
- Offered in 8' lengths

❖	A
❖	C
❖	E
❖	H
❖	TH
❖	HG
❖	WG
❖	M
❖	O
❖	QS

Bead Edging

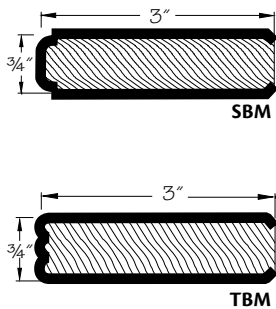


Single
SBE8
Triple
TBE8

- Solid wood
- Painted hardwood supplied for EverCore™ and Thermofoil
- Painted or Stained hardwood supplied for Wood-Grain Foil door styles
- Crafted or Quartersawn door styles will be supplied in plain sawn wood
- Offered in 8' lengths

❖	A
❖	C
❖	E
❖	H
❖	TH
❖	HG
❖	WG
❖	M
❖	O
❖	QS

Bead Molding

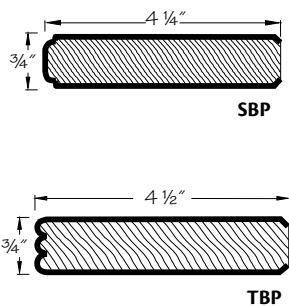


Single
SBM8
Triple
TBM8

- Solid wood
- Painted hardwood supplied for EverCore™ and Thermofoil, except for Single Bead Molding (SBM8) which is foil-wrapped MDF supplied for White Thermofoils
- Painted or Stained hardwood supplied for Wood-Grain Foil door styles
- Crafted or Quartersawn door styles will be supplied in plain sawn wood
- Offered in 8' lengths

❖	A
❖	C
❖	E
❖	H
❖	TH
❖	HG
❖	WG
❖	M
❖	O
❖	QS

Bead Pilaster

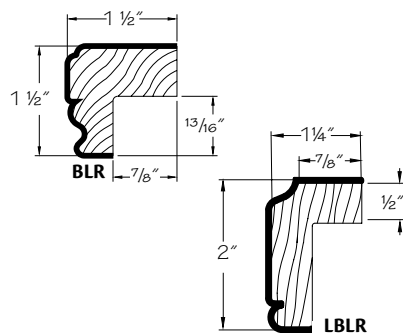


Single Bead
SBP8
Triple Bead
TBP8

- Solid wood
- Painted hardwood supplied for EverCore™ and Thermofoil
- Painted or Stained hardwood supplied for Wood-Grain Foil door styles
- Crafted or Quartersawn door styles will be supplied in plain sawn wood
- Offered in 96' lengths

❖	A
❖	C
❖	E
❖	H
❖	TH
❖	HG
❖	WG
❖	M
❖	O
❖	QS

Beaded Light Rail

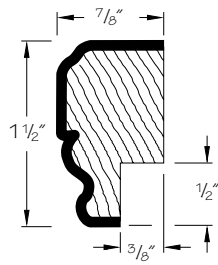


BLR8
Large
LBLR8

- Solid wood
- Painted hardwood supplied for EverCore™ and Thermofoil
- Painted or Stained hardwood supplied for Wood-Grain Foil door styles
- Crafted or Quartersawn door styles will be supplied in plain sawn wood
- Offered in 8' lengths

❖	A
❖	C
❖	E
❖	H
❖	TH
❖	HG
❖	WG
❖	M
❖	O
❖	QS

Beaded Panel Molding

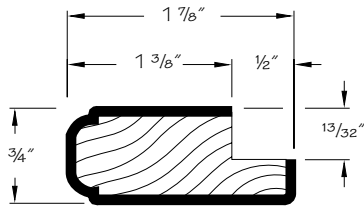


BPM8

- Solid wood
- Painted hardwood supplied for EverCore™ and Thermofoil
- Painted or Stained hardwood supplied for Wood-Grain Foil door styles
- Crafted or Quartersawn door styles will be supplied in plain sawn wood
- Offered in 8' lengths

❖	A
❖	C
❖	E
❖	H
❖	TH
	HG
❖	WG
❖	M
❖	O
❖	QS

Cabinet Panel Edge



CPE8

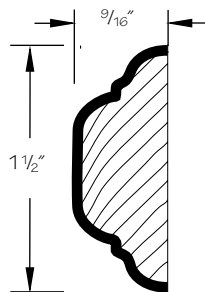
- Solid wood
- Painted hardwood supplied for EverCore™ and Thermofoil
- Painted or Stained hardwood supplied for Wood-Grain Foil door styles
- Crafted or Quartersawn door styles will be supplied in plain sawn wood
- Offered in 8' lengths

❖	A
❖	C
❖	E
❖	H
❖	TH
	HG
❖	WG
❖	M
❖	O
❖	QS



Remember to account for miter cuts and returns when choosing the amount of molding needed for a job.

Chair Rail

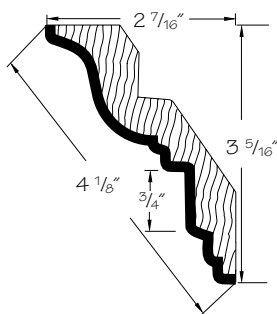


CR8

- Solid wood
- Painted hardwood supplied for EverCore™ and Thermofoil
- Painted or Stained hardwood supplied for Wood-Grain Foil door styles
- Crafted or Quartersawn door styles will be supplied in plain sawn wood
- Designed to overlay LM8
- Offered in 8' lengths

❖	A
❖	C
❖	E
❖	H
❖	TH
	HG
❖	WG
❖	M
❖	O
❖	QS

Classic Crown Molding



CCM8 .NG
CCM10 .NG

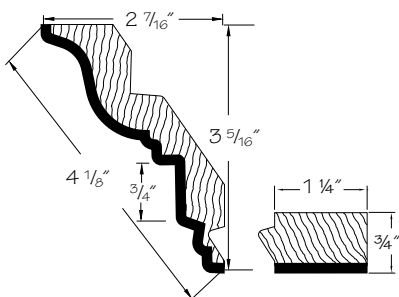


Use **caution** when applying Classic Crown Molding (CCM8), Crown Molding (CM8), etc., when "stair stepping" wall cabinets in full overlay door styles otherwise the doors may hit the molding while opening.

- Solid wood
- Foil-wrapped MDF supplied for White Thermofoil
- Painted hardwood supplied for EverCore™, Cream Thermofoil and 10' molding
- Painted or Stained hardwood supplied for Wood-Grain Foil door styles
- Crafted or Quartersawn door styles will be supplied in plain sawn wood
- Will have rustic characteristics when ordered in rustic door styles
- Offered in 8' and 10' lengths

❖	A
❖	C
❖	E
❖	H
❖	TH
	HG
❖	WG
❖	M
❖	O
❖	QS

Classic Crown Molding w/Molding Mounting Strip

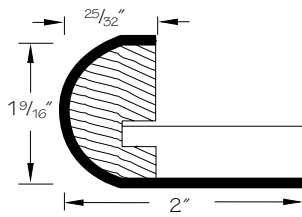


CCM8 .MS
CCM10 .MS

- Solid wood
- Painted hardwood supplied for EverCore™
- Painted or Stained hardwood supplied for Wood-Grain Foil door styles
- Crafted or Quartersawn door styles will be supplied in plain sawn wood
- Will have rustic characteristics when ordered in rustic door styles
- Mounting strip may be installed first, allowing for easier alignment and quicker installation of grooved moldings
- Shipped as two pieces
- Offered in 8' and 10' lengths

❖	A
❖	C
❖	E
❖	H
	TH
	HG
❖	WG
❖	M
❖	O
❖	QS

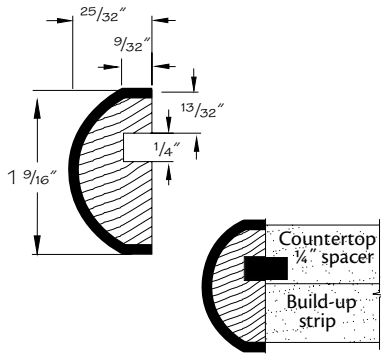
Contemporary Wood Crown



CWC8

- Solid wood
- Painted hardwood supplied for EverCore™ and Thermofoil
- Painted or Stained hardwood supplied for Wood-Grain Foil door styles
- Crafted or Quartersawn door styles will be supplied in plain sawn wood
- Offered in 8' lengths

A
❖ C
❖ E
❖ H
❖ TH
❖ HG
❖ WG
❖ M
❖ O
❖ QS

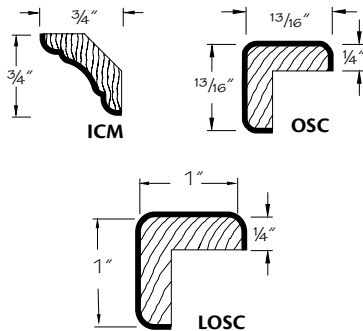


Contemporary Wood Edge

CWE8

- Solid wood
- Painted hardwood supplied for EverCore™ and Thermofoil
- Painted or Stained hardwood supplied for Wood-Grain Foil door styles
- Crafted or Quartersawn door styles will be supplied in plain sawn wood
- Offered in 8' lengths

A
❖ C
❖ E
❖ H
❖ TH
❖ HG
❖ WG
❖ M
❖ O
❖ QS



Corner Molding

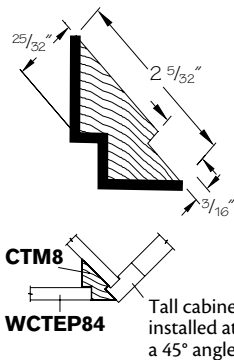
Inside
ICM8

Outside
OSC8

Large Outside
LOSC8

- Solid wood
- Painted hardwood supplied for EverCore™ and Thermofoil, except for Outside Corner Molding (OSC8) which is foil-wrapped MDF supplied for Thermofoils
- Painted or Stained hardwood supplied for Wood-Grain Foil door styles
- Crafted or Quartersawn door styles will be supplied in plain sawn wood
- OSC8 is 1" x 1" when ordered in Foil doors styles
- Offered in 8' lengths

❖ A
❖ C
❖ E
❖ H
❖ TH
❖ HG
❖ WG
❖ M
❖ O
❖ QS

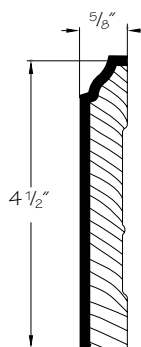


Corner Tall Molding

CTM8

- Solid wood
- Painted or Stained hardwood supplied for Wood-Grain Foil door styles
- Oak supplied for Hickory
- Crafted or Quartersawn door styles will be supplied in plain sawn wood
- See Option #2 in the Diagonal Installation of Standard Tall Cabinets located in Tall Accessories
- Corner Tall End Panel (CTEP) and Corner Tall Molding (CTM8) are sold separately
- Offered in 8' lengths
- **Note:** For use with WCTEP 84 or 96 only; will **not** work with WTEP

❖ A
❖ C
❖ E
❖ H
❖ TH
❖ HG
❖ WG
❖ M
❖ O
❖ QS



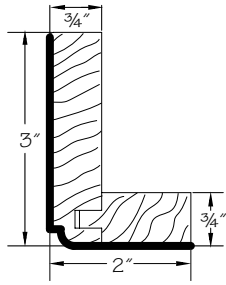
Cove Base Board Extended

CVBBE8

- Solid wood
- Painted hardwood supplied for EverCore™ and Thermofoil
- Foil-wrapped MDF supplied for White Thermofoil
- Painted hardwood supplied for EverCore™ and Cream Thermofoil
- Painted or Stained hardwood supplied for Wood-Grain Foil door styles
- Crafted or Quartersawn door styles will be supplied in plain sawn wood
- Offered in 8' lengths

❖ A
❖ C
❖ E
❖ H
❖ TH
❖ HG
❖ WG
❖ M
❖ O
❖ QS

Empire Starter Molding

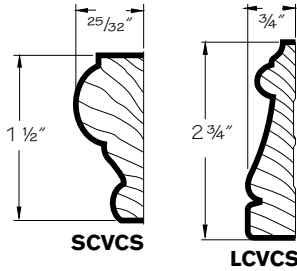


EPSTR8

- Solid wood
- Painted hardwood supplied for EverCore™ and Cream Thermofoil
- Painted or Stained hardwood supplied for Wood-Grain Foil door styles
- Crafted or Quartersawn door styles will be supplied in plain sawn wood
- Offered in 8' lengths

❖	A
❖	C
❖	E
❖	H
❖	TH
	HG
❖	WG
❖	M
❖	O
❖	QS

Cove Casing

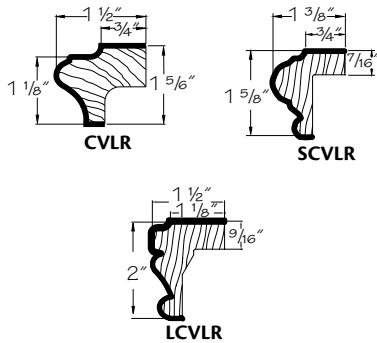


Small
SCVCS8
Large
LCVCS8

- Solid wood
- Painted hardwood supplied for EverCore™
- Painted or Stained hardwood supplied for Wood-Grain Foil door styles
- Small Cove Casing (SCVCS) will have painted hardwood and Large Cove Casing (LCVCS) will have foil wrapped MDF supplied for Thermofoil
- Crafted or Quartersawn door styles will be supplied in plain sawn wood
- Offered in 8' lengths

❖	A
❖	C
❖	E
❖	H
❖	TH
	HG
❖	WG
❖	M
❖	O
❖	QS

Cove Light Rail



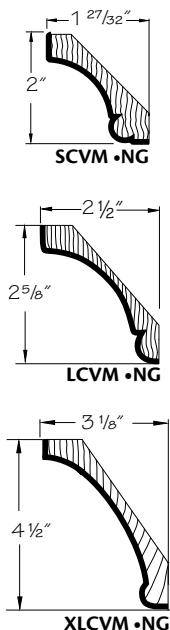
CVLR8
Small
SCVLR8
Large
❖ **LCVLR8**

❖ Groove accepts LED tape lighting

- Solid wood
- Painted hardwood supplied for EverCore™ and Cream Thermofoil, except for Cove Light Rail (CVLR8), which is foil-wrapped MDF supplied for White Thermofoil
- Painted or Stained hardwood supplied for Wood-Grain Foil door styles
- Crafted or Quartersawn door styles will be supplied in plain sawn wood
- Offered in 8' lengths

❖	A
❖	C
❖	E
❖	H
❖	TH
	HG
❖	WG
❖	M
❖	O
❖	QS

Cove Molding

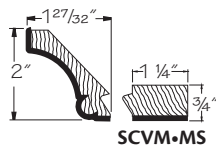


Small
SCVM8 .NG
SCVM10 .NG
Large
LCVM8 .NG
LCVM10 .NG
Extra Large
XLCVM8 .NG
XLCVM10 .NG

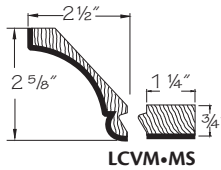
- Solid wood
- Painted hardwood supplied for EverCore™, Cream Thermofoil and 10' molding, except for Small Cove Molding (SCVM8) and Large Cove Molding (LCVM8), which will have foil-wrapped MDF supplied for White Thermofoil
- Painted or Stained hardwood supplied for Wood-Grain Foil door styles
- Crafted or Quartersawn door styles will be supplied in plain sawn wood
- Offered in 8' and 10' lengths

❖	A
❖	C
❖	E
❖	H
❖	TH
	HG
❖	WG
❖	M
❖	O
❖	QS

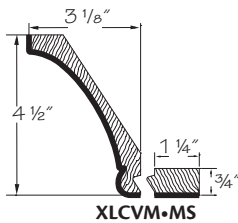
Cove Molding w/Molding Mounting Strip



SCVM•MS



LCVM•MS



XLCVM•MS

Small

SCVM8 .MS
SCVM10 .MS

Large

LCVM8 .MS
LCVM10 .MS

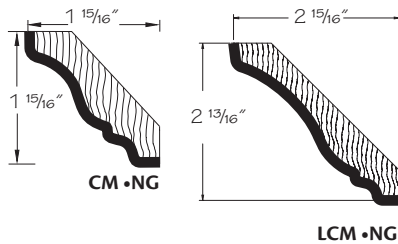
Extra Large

XLCVM8 .MS
XLCVM10 .MS

- Solid wood
- Painted hardwood supplied for EverCore™
- Painted or Stained hardwood supplied for Wood-Grain Foil door styles
- Crafted or Quartersawn door styles will be supplied in plain sawn wood
- Mounting strip may be installed first, allowing for easier alignment and quicker installation of grooved moldings
- Shipped as two pieces
- Offered in 8' and 10' lengths

❖	A
❖	C
❖	E
❖	H
	TH
	HG
❖	WG
❖	M
❖	O
❖	QS

Crown Molding



CM•NG

LCM•NG

CM8 .NG
CM10 .NG

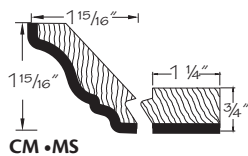
Large

LCM8 .NG
LCM10 .NG

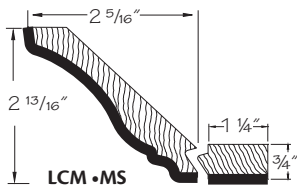
- Solid wood
- Crown Molding (CM8.NG) is supplied as foil wrapped MDF for White & Cream Thermofoils
- Crown Molding (CM10.NG) and Large Crown Molding (LCM10.NG) are supplied as painted hardwood for White & Cream Thermofoils and EverCore
- Large Crown Molding (LCM8.NG) is supplied as foil wrapped MDF for White Thermofoils; painted hardwood is supplied for Cream Thermofoils and EverCore
- Painted or Stained hardwood supplied for Wood-Grain Foil door styles
- Crafted or Quartersawn door styles will be supplied in plain sawn wood
- Will have rustic characteristics when ordered in rustic door styles

❖	A
❖	C
❖	E
❖	H
❖	TH
	HG
❖	WG
❖	M
❖	O
❖	QS

Crown Molding w/Molding Mounting Strip



CM•MS



LCM•MS

CM8 .MS
CM10 .MS

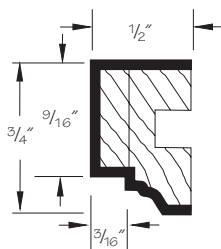
Large

LCM8 .MS
LCM10 .MS

- Solid wood
- Painted hardwood supplied for EverCore™
- Painted or Stained hardwood supplied for Wood-Grain Foil door styles
- Crafted or Quartersawn door styles will be supplied in plain sawn wood
- Will have rustic characteristics when ordered in rustic door styles
- Mounting strip may be installed first, allowing for easier alignment and quicker installation of grooved moldings
- Shipped as two pieces
- Offered in 8' and 10' lengths

❖	A
❖	C
❖	E
❖	H
	TH
	HG
❖	WG
❖	M
❖	O
❖	QS

Dentil Edging



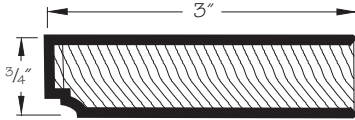
DE8

- Solid wood
- Painted hardwood supplied for EverCore™ and Thermofoil
- Painted or Stained hardwood supplied for Wood-Grain Foil door styles
- Crafted or Quartersawn door styles will be supplied in plain sawn wood
- Offered in 8' lengths

	A
❖	C
❖	E
❖	H
❖	TH
	HG
❖	WG
❖	M
❖	O
❖	QS

Dentil Molding

DM8



- Solid wood
- Painted hardwood supplied for EverCore™ and Thermofoil
- Painted or Stained hardwood supplied for Wood-Grain Foil door styles
- Crafted or Quartersawn door styles will be supplied in plain sawn wood
- Offered in 8' lengths

❖	A
❖	C
❖	E
❖	H
❖	TH
	HG
❖	WG
❖	M
❖	O
❖	QS

Empire Crown Molding

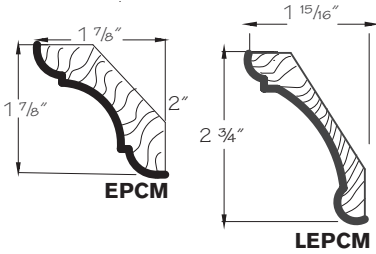
EPCM8

EPCM10

Large

LEPCM8

LEPCM10

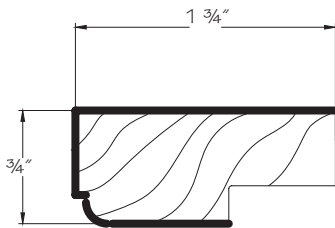


- Solid wood
- Painted hardwood supplied for EverCore™ and Cream Thermofoil
- Painted or Stained hardwood supplied for Wood-Grain Foil door styles
- Crafted or Quartersawn door styles will be supplied in plain sawn wood
- Offered in 8' and 10' lengths

❖	A
❖	C
❖	E
❖	H
❖	TH
	HG
❖	WG
❖	M
❖	O
❖	QS

Empire Light Rail

EPLR8



- Solid wood
- Painted hardwood supplied for EverCore™ and Cream Thermofoil
- Painted or Stained hardwood supplied for Wood-Grain Foil door styles
- Crafted or Quartersawn door styles will be supplied in plain sawn wood
- Offered in 8' lengths

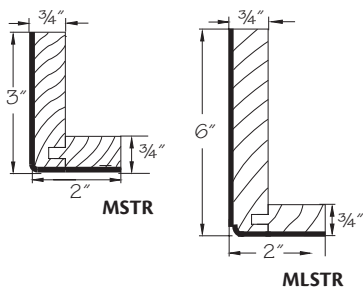
❖	A
❖	C
❖	E
❖	H
❖	TH
	HG
❖	WG
❖	M
❖	O
❖	QS

Mission Starter Molding

MSTR8

Large

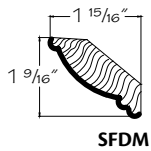
MLSTR8



- Solid wood
- Painted hardwood supplied for EverCore™
- Plain sawn material supplied for Bristow Crafted Cherry and Maple door styles. Quartersawn Oak supplied for Bristow Crafted Oak door styles
- ☆ Painted hardwood supplied for Wood-Grain Foil door styles; only available in white
- Offered in 8' lengths

❖	A
❖	C
❖	E
❖	H
	TH
	HG
☆	WG
❖	M
❖	O
❖	QS

Federal Molding



SFDM8

Small

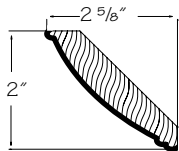
SFDM8

Large

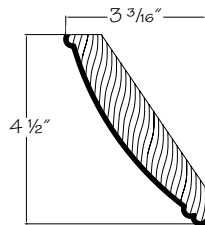
LFDM8

Extra Large

XLFDM8



LFDM8

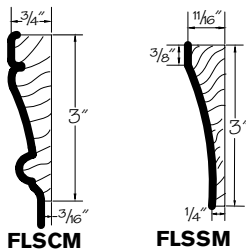


XLFDM8

- Solid wood
- Painted hardwood supplied for EverCore™ and Thermofoil
- Can be installed with double bead on top or bottom
- ☆ Painted hardwood supplied for Wood-Grain Foil door styles; only available in white
- Offered in 8' lengths

❖	A
❖	C
❖	E
❖	H
❖	TH
❖	HG
☆	WG
❖	M
❖	O
❖	QS

Floating Shelf Molding - Cove & Sterling



FLSCM8

FLSSM8

Cove

FLSCM8

Sterling

FLSSM8

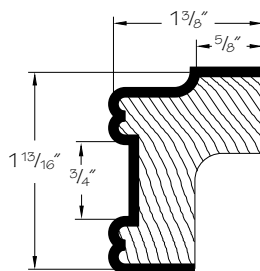
- Solid wood
- Painted hardwood supplied for EverCore™ and Thermofoil
- Painted or Stained hardwood supplied for Wood-Grain Foil door styles
- Offered in 8' lengths



Floating Shelf Moldings can also be used in applications around window and door frames

❖	A
❖	C
❖	E
❖	H
❖	TH
❖	HG
❖	WG
❖	M
❖	O
❖	QS

Inset Light Rail

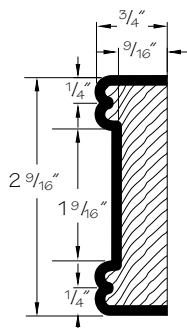


ILR8

- Solid wood
- Allows application of 3/4" inserts
- Painted hardwood supplied for EverCore™ and Thermofoil
- Painted or Stained hardwood supplied for Wood-Grain Foil door styles
- Crafted or Quartersawn door styles will be supplied in plain sawn wood
- Offered in 8' lengths

❖	A
❖	C
❖	E
❖	H
❖	TH
❖	HG
❖	WG
❖	M
❖	O
❖	QS

Library Molding

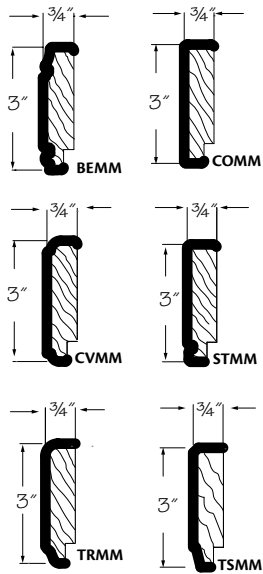


LM8

- Solid wood
- Painted hardwood supplied for EverCore™ and Thermofoil
- Painted or Stained hardwood supplied for Wood-Grain Foil door styles
- Crafted or Quartersawn door styles will be supplied in plain sawn wood
- Offered in 8' lengths

❖	A
❖	C
❖	E
❖	H
❖	TH
❖	HG
❖	WG
❖	M
❖	O
❖	QS

Mirror Molding

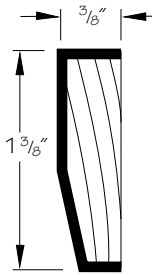


Beaded
BEMM8
Contemporary
COMM8
Cove
CVMM8
Sterling
STMM8
Traditional
TRMM8
Transitional
TSMM8

- Solid wood
- Painted hardwood supplied for EverCore™ and Thermofoil
- Foil-wrapped MDF supplied for Wood-Grain Foil door styles
- Crafted or Quartersawn door styles will be supplied in plain sawn wood
- Offered in 8' lengths

❖	A
❖	C
❖	E
❖	H
❖	TH
❖	HG
❖	WG
❖	M
❖	O
❖	QS

Mission Batten Molding

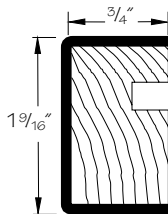


MBM8

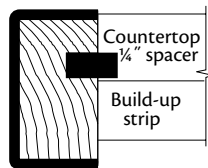
- Solid wood
- Painted hardwood supplied for EverCore™
- Plain sawn material supplied for Bristow Crafted Cherry and Maple door styles. Quartersawn Oak supplied for Bristow Crafted Oak door styles
- ☆ Painted hardwood supplied for Wood-Grain Foil door styles; only available in white
- Offered in 8' lengths

❖	A
❖	C
❖	E
❖	H
	TH
	HG
☆	WG
❖	M
❖	O
❖	QS

Mission Flat Wood Edge



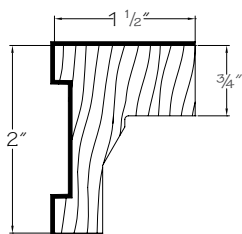
MFWE8



- Solid wood
- Painted hardwood supplied for EverCore™
- Plain sawn material supplied for Bristow Crafted Cherry and Maple door styles. Quartersawn Oak supplied for Bristow Crafted Oak door styles
- ☆ Painted hardwood supplied for Wood-Grain Foil door styles; only available in white
- Offered in 8' lengths

❖	A
❖	C
❖	E
❖	H
	TH
	HG
☆	WG
❖	M
❖	O
❖	QS

Mission Light Rail

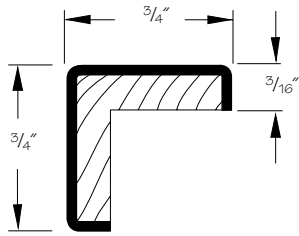


MLR8

- Solid wood
- Painted hardwood supplied for EverCore™ and Thermofoil
- Painted or Stained hardwood supplied for Wood-Grain Foil door styles
- Groove accepts LED tape lighting
- Offered in 8' lengths

❖	A
❖	C
❖	E
❖	H
❖	TH
	HG
❖	WG
❖	M
❖	O
❖	QS

Mission Outside Corner

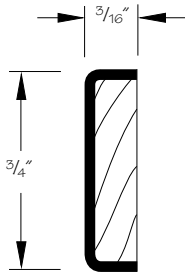


MOSC8

- Solid wood
- Painted hardwood supplied for EverCore™
- Painted or Stained hardwood supplied for Wood-Grain Foil door styles
- Offered in 8' lengths

❖	A
❖	C
❖	E
❖	H
	TH
	HG
❖	WG
❖	M
❖	O
❖	QS

Mission Scribe Molding

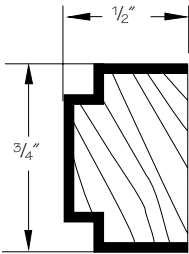


MSM8

- Solid wood
- Painted hardwood supplied for EverCore™
- Plain sawn material supplied for Bristow Crafted Cherry and Maple door styles. Quartersawn Oak supplied for Bristow Crafted Oak door styles
- ☆ Painted hardwood supplied for Wood-Grain Foil door styles; only available in white
- Offered in 8' lengths

❖	A
❖	C
❖	E
❖	H
	TH
	HG
☆	WG
❖	M
❖	O
❖	QS

Mission Single Bead Edging

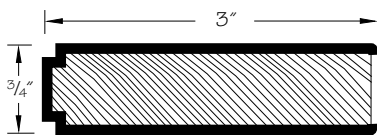


MSBE8

- Solid wood
- Painted hardwood supplied for EverCore™
- Plain sawn material supplied for Bristow Crafted Cherry and Maple door styles. Quartersawn Oak supplied for Bristow Crafted Oak door styles
- ☆ Painted hardwood supplied for Wood-Grain Foil door styles; only available in white
- Offered in 8' lengths

❖	A
❖	C
❖	E
❖	H
	TH
	HG
☆	WG
❖	M
❖	O
❖	QS

Mission Single Bead Molding

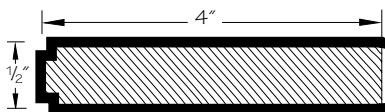


MSBM8

- Solid wood
- Painted hardwood supplied for EverCore™
- Plain sawn material supplied for Bristow Crafted Cherry and Maple door styles. Quartersawn Oak supplied for Bristow Crafted Oak door styles
- ☆ Painted hardwood supplied for Wood-Grain Foil door styles; only available in white
- Offered in 8' lengths

❖	A
❖	C
❖	E
❖	H
	TH
	HG
☆	WG
❖	M
❖	O
❖	QS

Mission Single Bead Pilaster

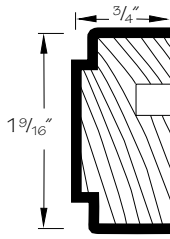


MSBP8

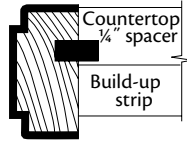
- Solid wood
- Painted hardwood supplied for EverCore™
- Plain sawn material supplied for Bristow Crafted Cherry and Maple door styles. Quartersawn Oak supplied for Bristow Crafted Oak door styles
- ☆ Painted hardwood supplied for Wood-Grain Foil door styles; only available in white
- Offered in 96' lengths

❖	A
❖	C
❖	E
❖	H
	TH
	HG
☆	WG
❖	M
❖	O
❖	QS

Mission Single Bead Wood Edge



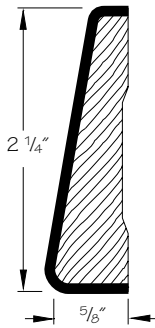
MSBWE8



- Solid wood
- Painted hardwood supplied for EverCore™
- Plain sawn material supplied for Bristow Crafted Cherry and Maple door styles. Quartersawn Oak supplied for Bristow Crafted Oak door styles
- ☆ Painted hardwood supplied for Wood-Grain Foil door styles; only available in white
- Offered in 8' lengths

❖	A
❖	C
❖	E
❖	H
	TH
	HG
☆	WG
❖	M
❖	O
❖	QS

Modern Casing

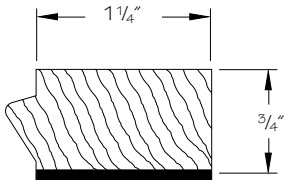


**MCS4
MCS7**

- Solid wood
- Painted hardwood supplied for EverCore™ and Thermofoil
- Painted or Stained hardwood supplied for Wood-Grain Foil door styles
- Crafted or Quartersawn door styles will be supplied in plain sawn wood
- Offered in 4' and 7' lengths

	A
❖	C
❖	E
❖	H
❖	TH
	HG
❖	WG
❖	M
❖	O
❖	QS

Molding Mounting Strip

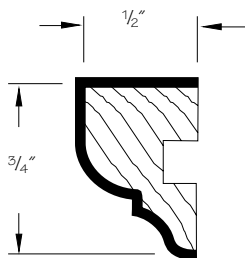


**MS8
MS10**

- Solid wood
- Painted hardwood supplied for EverCore™
- Painted or Stained hardwood supplied for Wood-Grain Foil door styles
- Crafted or Quartersawn door styles will be supplied in plain sawn wood
- Mounting strip may be installed first, allowing for easier alignment and quicker installation of grooved moldings
- Works with all Cove and Crown combination molding and mounting strips
- Offered in 8' and 10' lengths

❖	A
❖	C
❖	E
❖	H
	TH
	HG
❖	WG
❖	M
❖	O
❖	QS

Ogee Edging

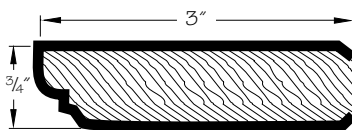


OGE8

- Solid wood
- Painted hardwood supplied for EverCore™ and Thermofoil
- Painted or Stained hardwood supplied for Wood-Grain Foil door styles
- Crafted or Quartersawn door styles will be supplied in plain sawn wood
- Offered in 8' lengths

❖	A
❖	C
❖	E
❖	H
❖	TH
	HG
❖	WG
❖	M
❖	O
❖	QS

Ogee Molding



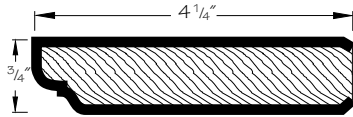
OGM8

- Solid wood
- Painted hardwood supplied for EverCore™ and Thermofoil
- Painted or Stained hardwood supplied for Wood-Grain Foil door styles
- Crafted or Quartersawn door styles will be supplied in plain sawn wood
- Offered in 8' lengths

❖	A
❖	C
❖	E
❖	H
❖	TH
	HG
❖	WG
❖	M
❖	O
❖	QS

Ogee Pilaster

OGP8

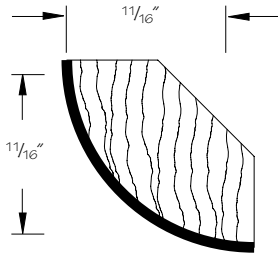


- Solid wood
- Foil-wrapped MDF supplied for White Thermofoil
- Painted hardwood supplied for EverCore™ and Cream Thermofoil
- Painted or Stained hardwood supplied for Wood-Grain Foil door styles
- Crafted or Quartersawn door styles will be supplied in plain sawn wood
- Offered in 96' lengths

❖	A
❖	C
❖	E
❖	H
❖	TH
	HG
❖	WG
❖	M
❖	O
❖	QS

Quarter Round Molding

QR8



- Solid wood
- Foil-wrapped MDF supplied for White Thermofoil
- Painted hardwood supplied for EverCore™ and Cream Thermofoil
- Painted or Stained hardwood supplied for Wood-Grain Foil door styles
- Crafted or Quartersawn door styles will be supplied in plain sawn wood
- Offered in 8' lengths

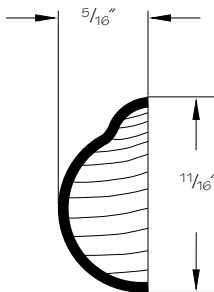
❖	A
❖	C
❖	E
❖	H
❖	TH
	HG
❖	WG
❖	M
❖	O
❖	QS



Apply Shoe Molding (SHO8) at the base of Matching Toe Kicks or Wood Matching Toe Kicks (MTK8 or WMTK8) for a nice, finished look.

Ribbon Twist Molding

RTM8



- Solid wood
- Painted hardwood supplied for EverCore™ and Thermofoil
- Carved
- Painted or Stained hardwood supplied for Wood-Grain Foil door styles
- Beech supplied for Hickory, Oak and quartersawn Oak
- Component will **not** contain rustic characteristics when ordered in a rustic door style
- Offered in 8' lengths

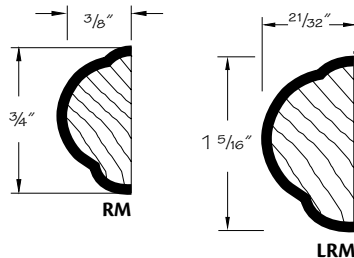
❖	A
❖	C
❖	E
❖	H
❖	TH
	HG
❖	WG
❖	M
❖	O
❖	QS

Rope Molding

▲ RM8

Large

*+ LRM8



- ▲ Oak supplied for Hickory
- * **Not** available in Rustic Alder door styles
- + Apply with small brad

- Solid wood
- Painted hardwood supplied for EverCore™ and Thermofoil
- Painted or Stained hardwood supplied for Wood-Grain Foil door styles
- Crafted or Quartersawn door styles will be supplied in plain sawn wood
- Component will **not** contain rustic characteristics when ordered in a rustic door style
- Offered in 8' lengths



Applying Rope Molding (RM8) or Dentil Edging (DE8) to the inlay of Classic Crown Molding (CCM8) before making cuts will enable you to condense two cuts into one.

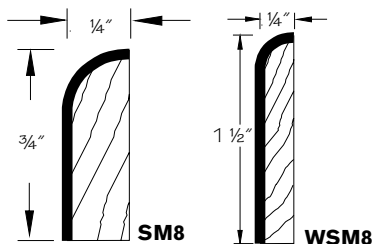
☆	A
❖	C
❖	E
❖	H
❖	TH
	HG
❖	WG
❖	M
❖	O
❖	QS

Scribe Molding

SM8

Wide Scribe

WSM8



- Solid wood
- Foils are foil wrapped MDF
- Painted hardwood supplied for EverCore™
- Crafted or Quartersawn door styles will be supplied in plain sawn wood
- Offered in 8' lengths

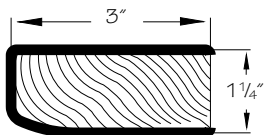


Let your customers know if they have left-over pieces of Scribe Molding (SM8) to consider using them to finish the ends of exposed matching toe kick.

❖	A
❖	C
❖	E
❖	H
❖	TH
	HG
❖	WG
❖	M
❖	O
❖	QS

Shaped Molding

SHM8

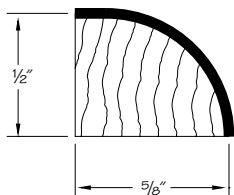


- Solid wood
- Painted hardwood supplied for EverCore™ and Thermofoil
- Painted or Stained hardwood supplied for Wood-Grain Foil door styles
- Crafted or Quartersawn door styles will be supplied in plain sawn wood
- Offered in 8' lengths

❖	A
❖	C
❖	E
❖	H
❖	TH
	HG
❖	WG
❖	M
❖	O
❖	QS

Shoe Molding

SHO8

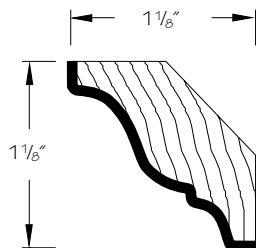


- Solid wood
- Painted hardwood supplied for EverCore™ and Thermofoil
- Painted or Stained hardwood supplied for Wood-Grain Foil door styles
- Crafted or Quartersawn door styles will be supplied in plain sawn wood
- Offered in 8' lengths

❖	A
❖	C
❖	E
❖	H
❖	TH
	HG
❖	WG
❖	M
❖	O
❖	QS

Soffit Crown Molding

SCM8 SCM10



- Solid wood
- Foil-wrapped MDF supplied for White Thermofoil
- Painted hardwood supplied for EverCore™, Cream Thermofoil and 10' molding
- Painted or Stained hardwood supplied for Wood-Grain Foil door styles
- Crafted or Quartersawn door styles will be supplied in plain sawn wood
- Offered in 8' and 10' lengths

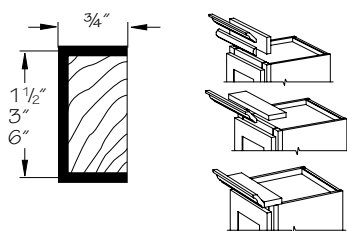
❖	A
❖	C
❖	E
❖	H
❖	TH
	HG
❖	WG
❖	M
❖	O
❖	QS



Remember to account for miter cuts and returns when choosing the amount of molding needed for a job.

Solid Stock

☆ S3S1 ☆ S3S3 ☆ S3S6



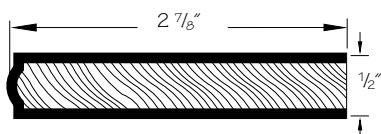
- ☆ Crafted or Quartersawn door styles will be supplied in plain sawn wood

- Solid wood
- Painted hardwood supplied for EverCore™ and Thermofoil
- Painted or Stained hardwood supplied for Wood-Grain Foil door styles
- Use solid stock material as finished nailing strip for molding applications
- When ordered in Distressed or Vintage finishes, solid stock will receive applicable finish
- Offered in 1 1/2", 3" and 6" lengths

❖	A
❖	C
❖	E
❖	H
❖	TH
	HG
❖	WG
❖	M
❖	O
❖	QS

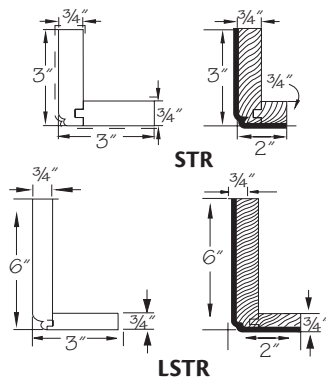
Stack Molding

STM8



- Solid wood
- Painted hardwood supplied for EverCore™ and Thermofoil
- Painted or Stained hardwood supplied for Wood-Grain Foil door styles
- Crafted or Quartersawn door styles will be supplied in plain sawn wood
- Offered in 8' lengths

❖	A
❖	C
❖	E
❖	H
❖	TH
	HG
❖	WG
❖	M
❖	O
❖	QS



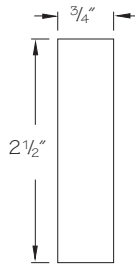
Starter Molding

STR8
STR10
Large
LSTR8
LSTR10

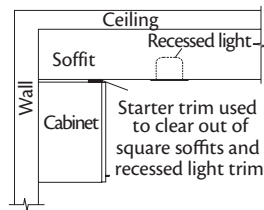
- Solid wood
- Painted hardwood supplied for EverCore™ and Thermofoil, except for Starter Molding (STR8) is foil-wrapped MDF supplied for White Thermofoil
- Painted or Stained hardwood supplied for Wood-Grain Foil door styles
- Crafted or Quartersawn door styles will be supplied in plain sawn wood
- Will have rustic characteristics when ordered in rustic door styles
- Offered in 8' and 10' lengths

❖	A
❖	C
	E
❖	H
❖	TH
	HG
❖	WG
❖	M
❖	O
❖	QS

Starter Trim



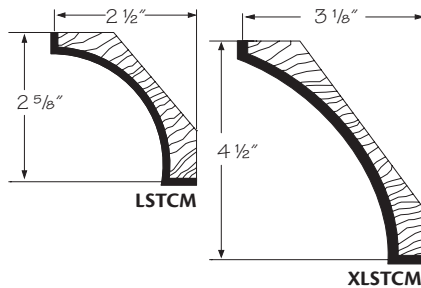
ST8



- 3/4" melamine
- Edgebanded one long edge
- ☆ Only available in White and Cream Thermofoil door styles
- Offered in 96' lengths

	A
	C
	E
	H
☆	TH
	HG
	WG
	M
	O
	QS

Sterling Crown Molding



Large
LSTCM8
Extra Large
XLSTCM8

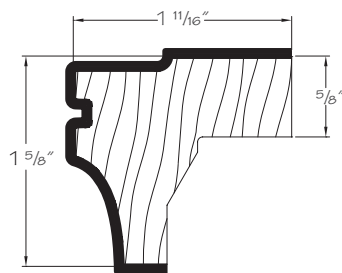
- Solid wood
- Painted hardwood supplied for EverCore™ and Thermofoil
- ☆ Painted hardwood supplied for Wood-Grain Foil door styles; only available in white
- Offered in 8' lengths



The Sterling Collection design combines automated wood-machining processes with hand detailing. Because of the hand detailing, slight imperfection and/or differences may exist from part to part and are normal. These do **not** affect the structural performance of the product but enhance the aesthetics of each piece.

❖	A
❖	C
❖	E
	H
❖	TH
	HG
☆	WG
❖	M
	O
	QS

Sterling Light Rail



STLR8

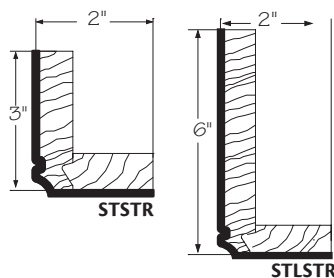
- Solid wood
- Painted hardwood supplied for EverCore™ and Thermofoil
- ☆ Painted hardwood supplied for Wood-Grain Foil door styles; only available in white
- Groove accepts LED tape lighting
- Offered in 8' lengths



The Sterling Collection design combines automated wood-machining processes with hand detailing. Because of the hand detailing, slight imperfection and/or differences may exist from part to part and are normal. These do **not** affect the structural performance of the product but enhance the aesthetics of each piece.

❖	A
❖	C
❖	E
	H
❖	TH
	HG
☆	WG
❖	M
	O
	QS

Sterling Starter Molding



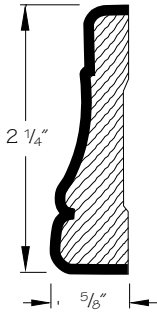
STSTR8
Large
STLSTR8

- Solid wood
- Painted hardwood supplied for EverCore™ and Thermofoil
- ☆ Painted hardwood supplied for Wood-Grain Foil door styles; only available in white
- Offered in 8' lengths



The Sterling Collection design combines automated wood-machining processes with hand detailing. Because of the hand detailing, slight imperfection and/or differences may exist from part to part and are normal. These do **not** affect the structural performance of the product but enhance the aesthetics of each piece.

❖	A
❖	C
❖	E
	H
❖	TH
	HG
☆	WG
❖	M
	O
	QS



Traditional Casing

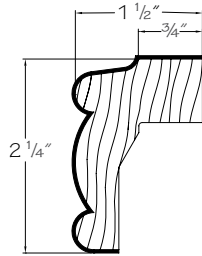
TCS4
TCS7

- Solid wood
- Painted hardwood supplied for EverCore™ and Thermofoil
- Painted or Stained hardwood supplied for Wood-Grain Foil door styles
- Crafted or Quartersawn door styles will be supplied in plain sawn wood
- Offered in 4' and 7' lengths

❖	A
❖	C
❖	E
❖	H
❖	TH
	HG
❖	WG
❖	M
❖	O
❖	QS



Remember to account for miter cuts and returns when choosing the amount of molding needed for a job.

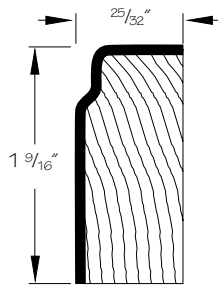


Traditional Light Rail

TLR8

- Solid wood
- Painted hardwood supplied for EverCore™ and Thermofoil
- Painted or Stained hardwood supplied for Wood-Grain Foil door styles
- Crafted or Quartersawn door styles will be supplied in plain sawn wood
- Groove accepts LED tape lighting
- Foils do **not** have groove
- Offered in 8' lengths

❖	A
❖	C
❖	E
❖	H
❖	TH
	HG
❖	WG
❖	M
❖	O
❖	QS



Traditional Wood Edge

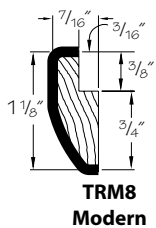
TWE8

- Solid wood
- Painted hardwood supplied for EverCore™ and Thermofoil
- Painted or Stained hardwood supplied for Wood-Grain Foil door styles
- Crafted or Quartersawn door styles will be supplied in plain sawn wood
- Offered in 8' lengths

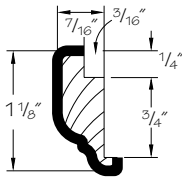
❖	A
❖	C
❖	E
❖	H
❖	TH
	HG
❖	WG
❖	M
❖	O
❖	QS



When using wood edge molding to trim a countertop, be sure to seal the back edge of the molding prior to installing the edge to the top. This will help prevent moisture from entering the molding and damaging it.



TRM8
Modern



TTRM8
Traditional

Transition Molding

Modern

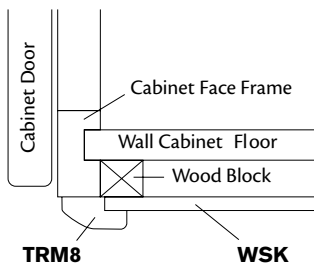
TRM8

Traditional

TTRM8

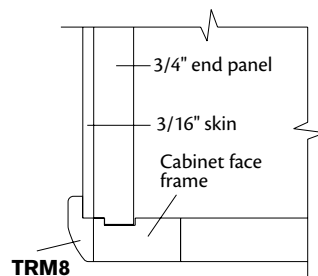
- Solid wood
- Painted hardwood supplied for EverCore™ and Thermofoil
- Painted or Stained hardwood supplied for Wood-Grain Foil door styles
- Crafted or Quartersawn door styles will be supplied in plain sawn wood
- Offered in 8' lengths

❖	A
❖	C
❖	E
❖	H
❖	TH
	HG
❖	WG
❖	M
❖	O
❖	QS

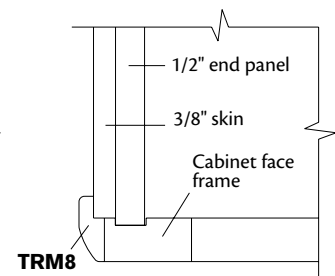


Side view of Wall Cabinet application. Use additional TRM8 or SM8 where cabinet meets wall.

Side View



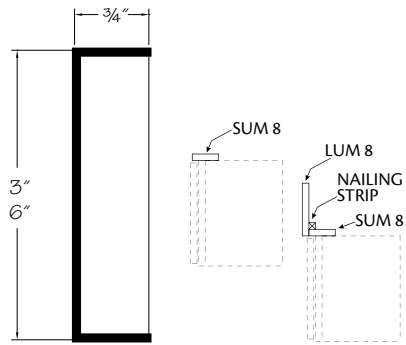
Allows a 3/16" skin to be applied to a cabinet with 3/4" end panels



Allows a 3/8" skin to be applied to a cabinet with 1/2" end panels

Top View

Universal Molding



Small
SUM8
 Large
LUM8

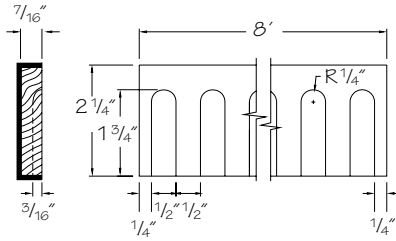
- Available for High-Gloss Foil door styles only
- Manufactured to match the doors and drawer fronts
- Offered in 8' lengths



Installation Note: When installing High-Gloss moldings (LUM or SUM), we recommend attaching from the back as touch-up kits are **not** available for High-Gloss materials

A
C
E
H
TH
❖ HG
WG
M
O
QS

Wide Dentil Molding



WDM8

- Solid wood
- Painted hardwood supplied for EverCore™ and Thermofoil
- Painted or Stained hardwood supplied for Wood-Grain Foil door styles
- Crafted or Quartersawn door styles will be supplied in plain sawn wood
- Offered in 8' lengths

A
❖ C
❖ E
❖ H
❖ TH
HG
❖ WG
❖ M
❖ O
❖ QS

Molding Accents

Construction Options and Modifications

A	Alder
C	Cherry
E	EverCore™
H	Hickory
TH	Thermofoil
HG	High-Gloss Foil
WG	Wood-Grain Foil
M	Maple
O	Oak
QS	Quartersawn

CBE	8
code	length

- ❖ Included as standard
- Available with an upcharge
- ☆ Available with exceptions
- (Blank) **Not** available

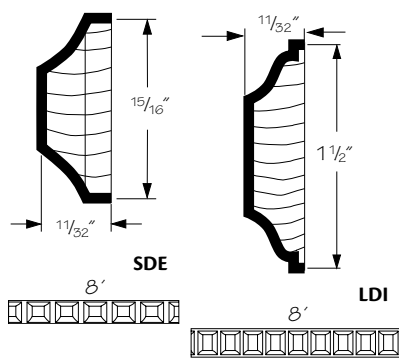
We offer numerous moldings for decorative and finished applications. Moldings are available in some or all wood species. See chart for coding.

Material dimensions listed may vary slightly from actual dimensions of the product.

All molding ordered in quartersawn door styles will be supplied standard oak unless otherwise noted.

Specifications subject to change without notice.

Note: Heavy, dark lines indicate finished surfaces.



Dentil Insert

Small

SDE8

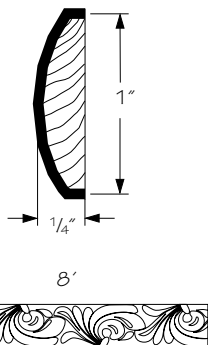
Large

☆ **LDI8**

☆ **Not** available in Rustic Alder door styles

- Solid wood
- Carved
- Painted hardwood supplied for EverCore™ and Thermofoil
- Painted or Stained hardwood supplied for Wood-Grain Foil door styles
- Beech supplied for Hickory, Oak and quartersawn Oak
- Apply with small brad

☆	A
❖	C
❖	E
❖	H
❖	TH
	HG
❖	WG
❖	M
❖	O
❖	QS

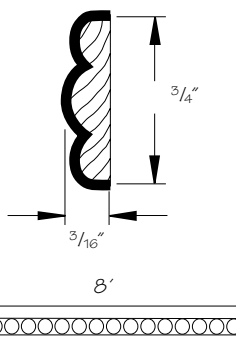


Acanthus Insert

ASI8

- Solid wood
- Embossed design
- Painted hardwood supplied for EverCore™ and Thermofoil
- Painted or Stained hardwood supplied for Wood-Grain Foil door styles
- Beech supplied for Hickory, Oak and quartersawn Oak
- Apply with small brad

	A
❖	C
❖	E
❖	H
❖	TH
	HG
❖	WG
❖	M
❖	O
❖	QS

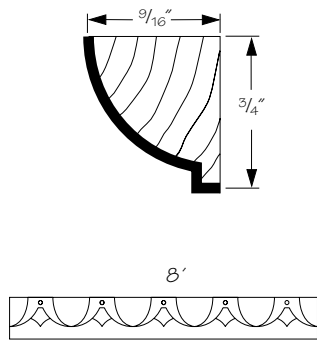


Center Beaded Insert

CBE8

- Solid wood
- Embossed design
- Painted hardwood supplied for EverCore™ and Thermofoil
- Painted or Stained hardwood supplied for Wood-Grain Foil door styles
- Beech supplied for Hickory, Oak and quartersawn Oak
- Apply with small brad

	A
❖	C
❖	E
❖	H
❖	TH
	HG
❖	WG
❖	M
❖	O
❖	QS

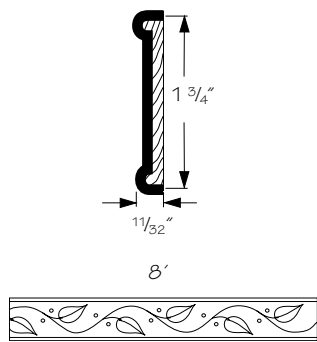


Egg and Dart Edge

EGE8

- Solid wood
- Carved
- Painted hardwood supplied for EverCore™ and Thermofoil
- Painted or Stained hardwood supplied for Wood-Grain Foil door styles
- Beech supplied for Hickory, Oak and quartersawn Oak
- Apply with small brad

A
❖ C
❖ E
❖ H
❖ TH
❖ HG
❖ WG
❖ M
❖ O
❖ QS

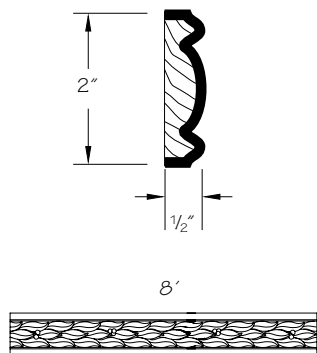


Ivy Insert

IVI8

- Solid wood
- Embossed design
- Painted hardwood supplied for EverCore™ and Thermofoil
- Painted or Stained hardwood supplied for Wood-Grain Foil door styles
- Beech supplied for Hickory, Oak and quartersawn Oak
- Apply with small brad

A
❖ C
❖ E
❖ H
❖ TH
❖ HG
❖ WG
❖ M
❖ O
❖ QS

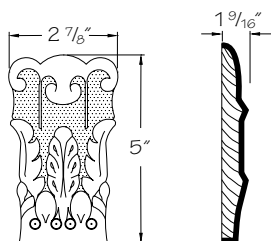


Olive Leaf Molding

OLM8

- Solid wood
- Carved
- Painted hardwood supplied for EverCore™ and Thermofoil
- Painted or Stained hardwood supplied for Wood-Grain Foil door styles
- Oak supplied for Hickory
- Crafted or Quartersawn door styles will be supplied in plain sawn wood
- Apply with small brad

A
❖ C
❖ E
❖ H
❖ TH
❖ HG
❖ WG
❖ M
❖ O
❖ QS

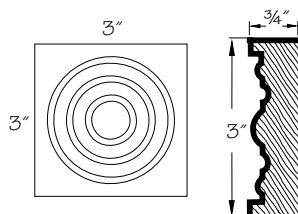


Tall Acanthus Capital

TASC

- Solid wood
- Carved
- Painted hardwood supplied for EverCore™ and Thermofoil
- Beech supplied for Hickory, Oak and quartersawn Oak
- Apply with small brad

A
❖ C
❖ E
❖ H
❖ TH
❖ HG
❖ WG
❖ M
❖ O
❖ QS



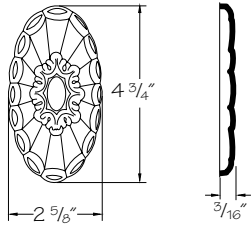
Rosette

R33

- Solid wood
- Painted hardwood supplied for EverCore™ and Thermofoil
- Crafted or Quartersawn door styles will be supplied in plain sawn wood

A
❖ C
❖ E
❖ H
❖ TH
❖ HG
❖ WG
❖ M
❖ O
❖ QS

Oval Rosette



OVR

- Wood veneer
- Embossed design
- Painted hardwood supplied for EverCore™ and Thermofoil
- Birch supplied for Maple
- Crafted or Quartersawn door styles will be supplied in plain sawn wood

A
❖ C
❖ E
❖ H
❖ TH
HG
WG
❖ M
❖ O
❖ QS

Acanthus Onlay

ASPO



- Solid wood
- Carved
- Painted hardwood supplied for EverCore™ and Thermofoil
- Beech supplied for Hickory, Oak and quartersawn Oak
- Apply with small brad

A
❖ C
❖ E
❖ H
❖ TH
HG
WG
❖ M
❖ O
❖ QS

Olive Leaf Onlay

OLPO

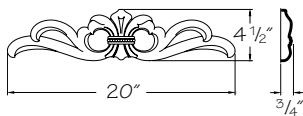


- Solid wood
- Carved
- Painted hardwood supplied for EverCore™ and Thermofoil
- Beech supplied for Hickory, Oak and quartersawn Oak
- Apply with small brad

A
❖ C
❖ E
❖ H
❖ TH
HG
WG
❖ M
❖ O
❖ QS

Timeless Onlay

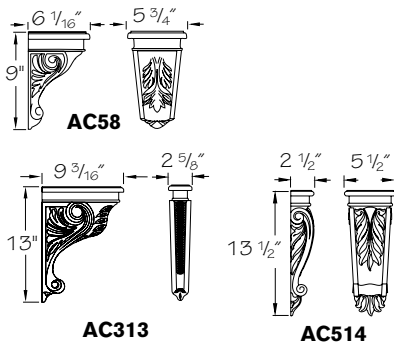
TLPO



- Solid wood
- Carved
- Painted hardwood supplied for EverCore™
- Apply with small brad

A
❖ C
❖ E
H
TH
HG
WG
❖ M
O
QS

Acanthus Corbel

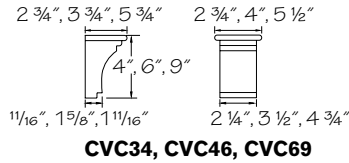


AC58
AC313
AC514

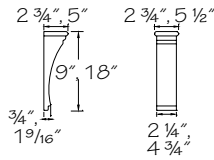
- Solid wood
- Painted hardwood supplied for EverCore™ and Thermofoil
- Painted or Stained hardwood supplied for Wood-Grain Foil door styles
- Oak supplied for Hickory
- Crafted or Quartersawn door styles will be supplied in plain sawn wood

A
❖ C
❖ E
❖ H
❖ TH
HG
❖ WG
❖ M
❖ O
❖ QS

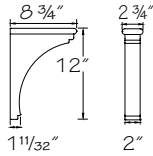
Cove Corbel



CVC34, CVC46, CVC69



CVC29, CVC518



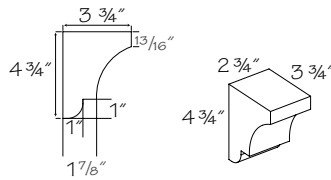
CVC212

CVC34
CVC46
CVC29
CVC69
CVC212
CVC518

- Solid wood
- Painted hardwood supplied for EverCore™ and Thermofoil
- Painted or Stained hardwood supplied for Wood-Grain Foil door styles
- Oak supplied for Hickory
- Crafted or Quartersawn door styles will be supplied in plain sawn wood

❖	A
❖	C
❖	E
❖	H
❖	TH
❖	HG
❖	WG
❖	M
❖	O
❖	QS

Empire Corbel

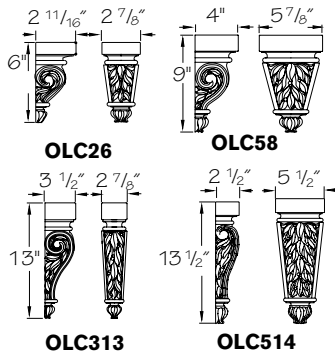


EPC35

- Solid wood
- Painted hardwood supplied for EverCore™ and Cream Thermofoil
- Painted or Stained hardwood supplied for Wood-Grain Foil door styles
- Crafted or Quartersawn door styles will be supplied in plain sawn wood

❖	A
❖	C
❖	E
❖	H
❖	TH
❖	HG
❖	WG
❖	M
❖	O
❖	QS

Olive Leaf Corbel



OLC26

OLC58

OLC313

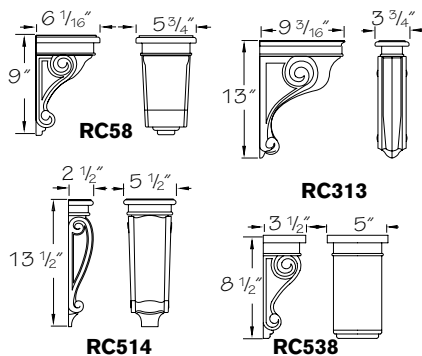
OLC514

OLC26
OLC58
OLC313
OLC514

- Solid wood
- Painted hardwood supplied for EverCore™ and Thermofoil
- Painted or Stained hardwood supplied for Wood-Grain Foil door styles
- Oak supplied for Hickory
- Crafted or Quartersawn door styles will be supplied in plain sawn wood

❖	A
❖	C
❖	E
❖	H
❖	TH
❖	HG
❖	WG
❖	M
❖	O
❖	QS

Rosette Corbel



RC58

RC313

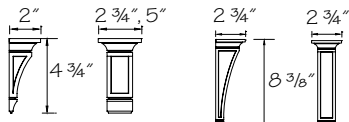
RC514

RC538

RC58
RC313
RC514
RC538

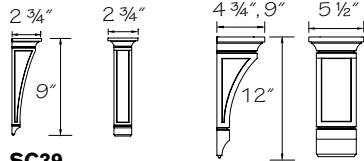
- Solid wood
- Painted hardwood supplied for EverCore™ and Thermofoil
- Oak supplied for Hickory
- Crafted or Quartersawn door styles will be supplied in plain sawn wood

❖	A
❖	C
❖	E
❖	H
❖	TH
❖	HG
❖	WG
❖	M
❖	O
❖	QS



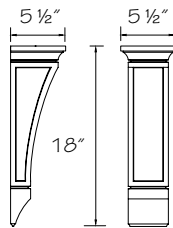
SC25, SC65

SC58



SC39

SC512, SC612



SC618

Sterling Corbel

- SC25
- SC58
- SC65
- SC39
- SC512
- SC612
- SC618

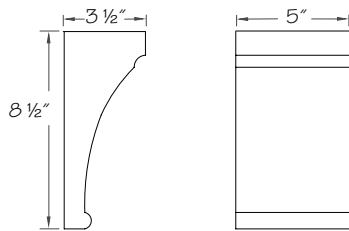
- Solid wood
- Painted hardwood supplied for EverCore™ and Thermofoil
- ☆ Crafted or Quartersawn door styles will be supplied in plain sawn wood
- **Note:** The recess panel of these corbels is chiseled and sanded by hand. This process can create some random inconsistent areas within the panel recess



The Sterling Collection design combines automated wood-machining processes with hand detailing. Because of the hand detailing, slight imperfection and/or differences may exist from part to part and are normal. These do **not** affect the structural performance of the product but enhance the aesthetics of each piece.

❖	A
❖	C
❖	E
❖	H
❖	TH
❖	HG
☆	WG
❖	M
❖	O
❖	QS

Transitional Corbel

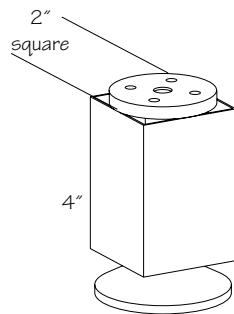


TRC58

- Solid wood
- Painted hardwood supplied for EverCore™ and Thermofoil
- Painted or Stained hardwood supplied for Wood-Grain Foil door styles
- Quartersawn door styles are supplied plain sawn
- **Not** available in Crafted or Rustic door styles

❖	A
❖	C
❖	E
❖	H
❖	TH
❖	HG
❖	WG
❖	M
❖	O
❖	QS

Aluminum Square Leg



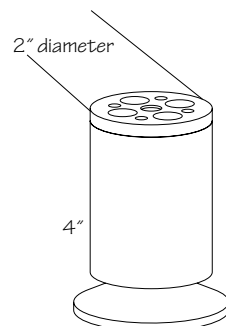
ASL.4

Adjustable from:
4" - 4 3/4"

- Available on all door styles
- Mounting plate included; mounting screws are **not**
- Decorative feet or legs should support the cabinet by way of the end panels, **not** the cabinet floor

❖	A
❖	C
❖	E
❖	H
❖	TH
❖	HG
❖	WG
❖	M
❖	O
❖	QS

Aluminum Round Leg



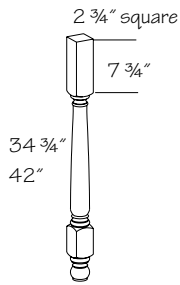
ARL.4

Adjustable from:
4" - 4 3/4"

- Available on all door styles
- Mounting plate included; mounting screws are **not**
- Decorative feet or legs should support the cabinet by way of the end panels, **not** the cabinet floor

❖	A
❖	C
❖	E
❖	H
❖	TH
❖	HG
❖	WG
❖	M
❖	O
❖	QS

Classic Leg

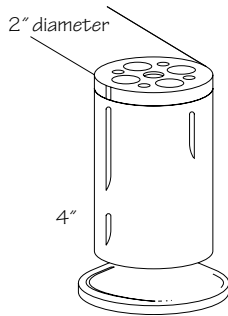


CL334
CL342

- Solid wood
- Painted hardwood supplied for EverCore™ and Thermofoil
- Painted or Stained hardwood supplied for Wood-Grain Foil door styles
- Oak supplied for Hickory
- Crafted or Quartersawn door styles will be supplied in plain sawn wood
- Decorative feet or legs should support the cabinet by way of the end panels, **not** the cabinet floor
- Trimmable

❖	A
❖	C
❖	E
❖	H
❖	TH
❖	HG
❖	WG
❖	M
❖	O
❖	QS

Stainless Round Leg

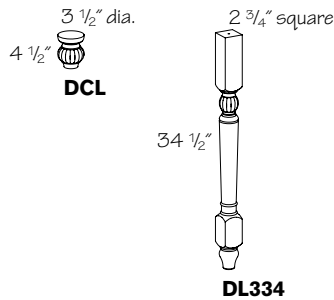


SRL.4 Adjustable from:
4" - 4 3/4"

- Available on all door styles
- Mounting plate included; mounting screws are **not**
- Decorative feet or legs should support the cabinet by way of the end panels, **not** the cabinet floor

❖	A
❖	C
❖	E
❖	H
❖	TH
❖	HG
❖	WG
❖	M
❖	O
❖	QS

Decorative Leg

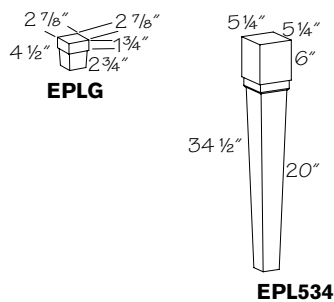


DCL
DL334

- Solid wood
- Painted hardwood supplied for EverCore™ and Thermofoil
- ☆ Painted hardwood supplied for Wood-Grain Foil door styles; only available in white
- Decorative feet or legs should support the cabinet by way of the end panels, **not** the cabinet floor
- Trimmable

❖	A
❖	C
❖	E
❖	H
❖	TH
❖	HG
☆	WG
❖	M
❖	O
❖	QS

Empire Leg

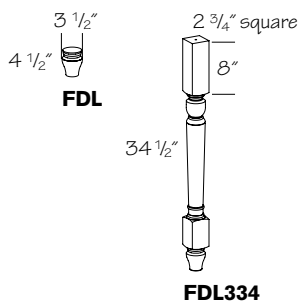


EPLG
EPL534

- Solid wood
- Painted hardwood supplied for EverCore™ and Cream Thermofoil
- Painted or Stained hardwood supplied for Wood-Grain Foil door styles
- Crafted or Quartersawn door styles will be supplied in plain sawn wood

❖	A
❖	C
❖	E
❖	H
❖	TH
❖	HG
❖	WG
❖	M
❖	O
❖	QS

Federal Leg

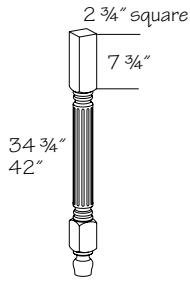


FDL
FDL334

- Solid wood
- Painted hardwood supplied for EverCore™ and Thermofoil
- ☆ Painted hardwood supplied for Wood-Grain Foil door styles; only available in white
- Decorative feet or legs should support the cabinet by way of the end panels, **not** the cabinet floor
- Trimmable

❖	A
❖	C
❖	E
❖	H
❖	TH
❖	HG
☆	WG
❖	M
❖	O
❖	QS

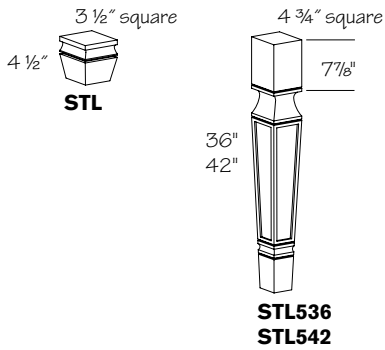
Fluted Leg



FL334
FL342

- Solid wood
- Painted hardwood supplied for EverCore™ and Thermofoil
- Painted or Stained hardwood supplied for Wood-Grain Foil door styles
- Oak supplied for Hickory
- Crafted or Quartersawn door styles will be supplied in plain sawn wood
- Decorative feet or legs should support the cabinet by way of the end panels, **not** the cabinet floor
- Trimmable

❖	A
❖	C
❖	E
❖	H
❖	TH
	HG
❖	WG
❖	M
❖	O
❖	QS



Sterling Leg

STL
STL536
STL542

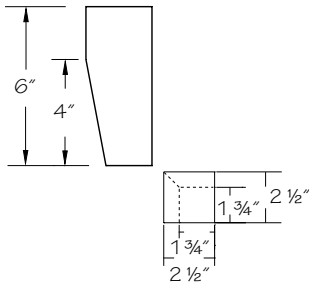


The Sterling Collection design combines automated wood-machining processes with hand detailing. Because of the hand detailing, slight imperfection and/or differences may exist from part to part and are normal. These do **not** affect the structural performance of the product but enhance the aesthetics of each piece.

- Solid wood
- Painted hardwood supplied for EverCore™ and Thermofoil
- Painted hardwood supplied for Wood-Grain Foil door styles; only available in white
- Decorative feet or legs should support the cabinet by way of the end panels, **not** the cabinet floor
- Trimmable
- **Note:** The recess panel of this leg/post is chiseled and sanded by hand. This process can create some random inconsistent areas within the panel recess

❖	A
❖	C
❖	E
❖	H
❖	TH
	HG
☆	WG
❖	M
	O
	QS

Tapered Leg

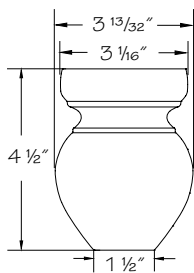


TPL

- Solid wood
- Painted hardwood supplied for EverCore™ and Thermofoil
- Painted or Stained hardwood supplied for Wood-Grain Foil door styles
- Oak supplied for Hickory
- Crafted or Quartersawn door styles will be supplied in plain sawn wood
- Decorative feet or legs should support the cabinet by way of the end panels, **not** the cabinet floor
- Trimmable

❖	A
❖	C
❖	E
❖	H
❖	TH
	HG
❖	WG
❖	M
❖	O
❖	QS

Apple Leg

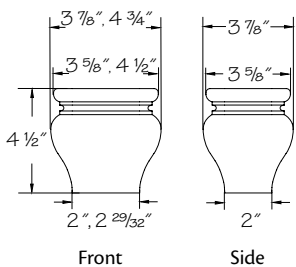


APL

- Solid wood
- Painted hardwood supplied for EverCore™ and Thermofoil
- Painted or Stained hardwood supplied for Wood-Grain Foil door styles
- Oak supplied for Hickory
- Decorative feet or legs should support the cabinet by way of the end panels, **not** the cabinet floor
- Crafted or Quartersawn door styles will be supplied in plain sawn wood
- Trimmable

❖	A
❖	C
❖	E
❖	H
❖	TH
	HG
❖	WG
❖	M
❖	O
❖	QS

Cove Leg

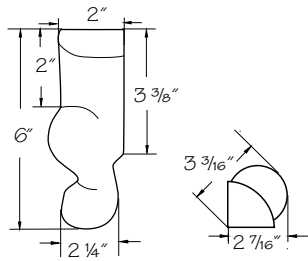


CVL 4 3/4" x 3 7/8"
CVL.2 3 7/8" x 3 7/8" square

- Solid wood
- Painted hardwood supplied for EverCore™ and Thermofoil
- Painted or Stained hardwood supplied for Wood-Grain Foil door styles
- Oak supplied for Hickory
- Crafted or Quartersawn door styles will be supplied in plain sawn wood
- Decorative feet or legs should support the cabinet by way of the end panels, **not** the cabinet floor

❖	A
❖	C
❖	E
❖	H
❖	TH
	HG
❖	WG
❖	M
❖	O
❖	QS

French Leg

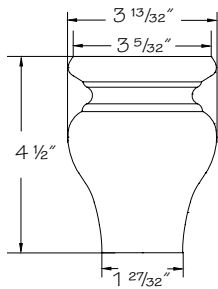


FRL

- Solid wood
- Painted hardwood supplied for EverCore™ and Thermofoil
- Painted or Stained hardwood supplied for Wood-Grain Foil door styles
- Maple supplied for Hickory, Oak and quartersawn Oak
- Decorative feet or legs should support the cabinet by way of the end panels, **not** the cabinet floor
- Trimmable

❖	A
❖	C
❖	E
❖	H
❖	TH
	HG
❖	WG
❖	M
❖	O
❖	QS

Tulip Leg

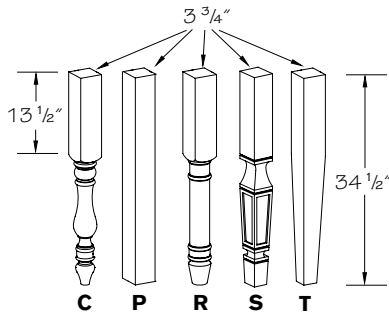


TLL

- Solid wood
- Painted hardwood supplied for EverCore™ and Thermofoil
- Painted or Stained hardwood supplied for Wood-Grain Foil door styles
- Oak supplied for Hickory
- Decorative feet or legs should support the cabinet by way of the end panels, **not** the cabinet floor
- Crafted or Quartersawn door styles will be supplied in plain sawn wood
- Trimmable

❖	A
❖	C
❖	E
❖	H
❖	TH
	HG
❖	WG
❖	M
❖	O
❖	QS

Decorative Island End Cap Legs



Classic Leg

CIECL434

Plain Square Post

PIECL434

Roman Spindle

RIECL434

Sterling Leg

STIECL434

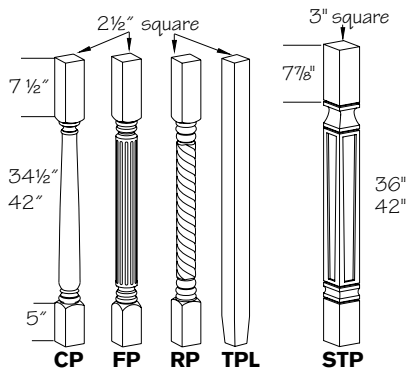
Tapered Leg

TIECL434

- Solid wood
- Painted hardwood supplied for EverCore™ and Thermofoil
- Painted hardwood supplied for Wood-Grain Foil door styles; only available in white
- Dimension matches the legs used on Island End Cap cabinets (IEC)
- Decorative feet or legs should support the cabinet by way of the end panels, **not** the cabinet floor
- Trimmable

❖	A
❖	C
❖	E
	H
❖	TH
	HG
☆	WG
❖	M
	O
	QS

Decorative Posts



Classic

CP234

CP242

Fluted

■ **FP234**

■ **FP242**

Rope

RP234

RP242

Tapered

TPL34

TPL42

Sterling

※ **STP336**

※ **STP342**

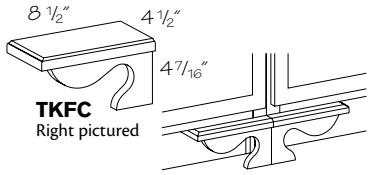
- Solid wood
- Painted hardwood supplied for EverCore™ and Thermofoil
- Painted or Stained hardwood supplied for Wood-Grain Foil door styles
- Oak supplied for Hickory
- Crafted or Quartersawn door styles will be supplied in plain sawn wood
- Trimmable

■ Quartersawn door styles are supplied plain sawn

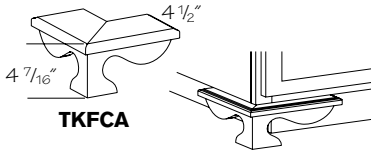
※ Available in Alder, Cherry, Thermofoil and Maple door styles only

❖	A
❖	C
☆	E
☆	H
❖	TH
	HG
❖	WG
❖	M
☆	O
☆	QS

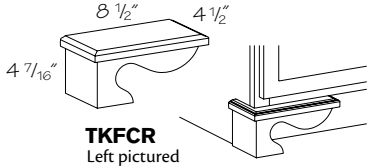
Toe Kick Furniture Corner



TKFC
Right pictured



TKFCA

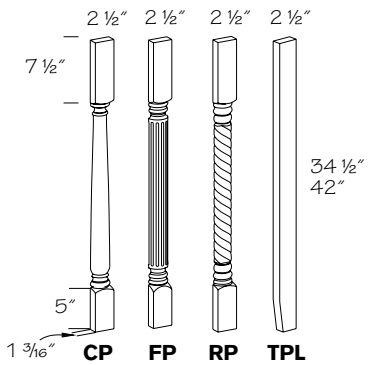


TKFCR
Left pictured

TKFC .R or L
TKFCA
TKFCR .R or L

- Specify R or L
- Solid wood
- Painted hardwood supplied for EverCore™ and Thermofoil
- Painted or Stained hardwood supplied for Wood-Grain Foil door styles
- Crafted or Quartersawn door styles will be supplied in plain sawn wood
- When using TKFCA with base cabinets specify recessed toe kick
- Decorative feet or legs should support the cabinet by way of the end panels, **not** the cabinet floor

❖	A
❖	C
❖	E
❖	H
❖	TH
	HG
❖	WG
❖	M
❖	O
❖	QS



Split Decorative Posts

Classic

CP234 .S

Fluted

■ **FP234 .S**

■ Quartersawn door styles are supplied plain sawn

Rope

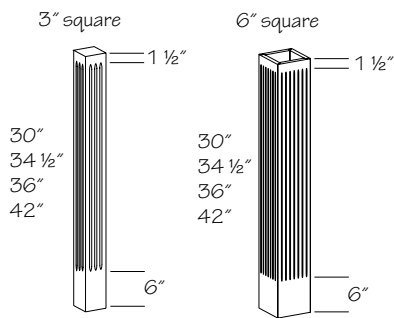
RP234 .S

Tapered

TPL34 .S

- Solid wood
- Painted hardwood supplied for EverCore™ and Thermofoil
- Painted or Stained hardwood supplied for Wood-Grain Foil door styles
- Oak supplied for Hickory
- Crafted or Quartersawn door styles will be supplied in plain sawn wood
- Trimmable

❖	A
❖	C
❖	E
❖	H
❖	TH
	HG
❖	WG
❖	M
❖	O
❖	QS



Fluted Square Posts

FSP3X3.30

FSP6X6.30

FSP3X3.34

FSP6X6.34

FSP3X3.36

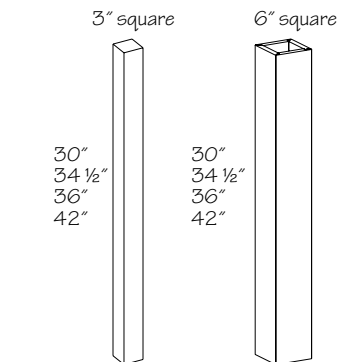
FSP6X6.36

FSP3X3.42

FSP6X6.42

- Solid wood
- Painted hardwood supplied for EverCore™ and Thermofoil
- Painted or Stained hardwood supplied for Wood-Grain Foil door styles
- ☆ Quartersawn door styles are supplied plain sawn

❖	A
❖	C
❖	E
❖	H
❖	TH
	HG
❖	WG
❖	M
❖	O
☆	QS



Plain Square Posts

PSP3X3.30

☆ **PSP6X6.30**

PSP3X3.34

☆ **PSP6X6.34**

PSP3X3.36

☆ **PSP6X6.36**

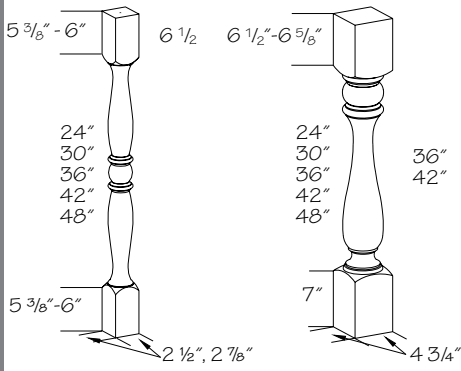
PSP3X3.42

☆ **PSP6X6.42**

☆ **Not available in Wood-Grain Foil door styles**

- Solid wood
- Painted hardwood supplied for EverCore™ and Thermofoil
- Painted or Stained hardwood supplied for Wood-Grain Foil door styles
- ☆ Crafted or Quartersawn door styles will be supplied in plain sawn wood

❖	A
❖	C
❖	E
❖	H
❖	TH
	HG
☆	WG
❖	M
❖	O
❖	QS

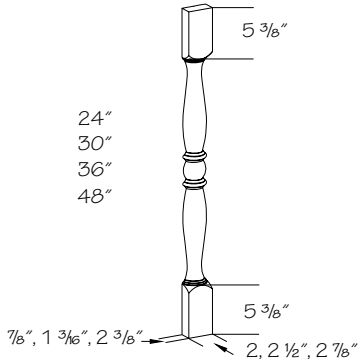


Spindles

SP224	2" x 2" x 24"
SP230	2 1/2" x 2 1/2" x 30"
SP336	2 7/8" x 2 7/8" x 36"
SP536	4 3/4" x 4 3/4" x 36"
SP342	2 7/8" x 2 7/8" x 42"
SP542	4 3/4" x 4 3/4" x 42"
SP348	2 7/8" x 2 7/8" x 48"

- Solid wood
- Painted hardwood supplied for EverCore™ and Thermofoil
- Painted or Stained hardwood supplied for Wood-Grain Foil door styles
- Oak supplied for Hickory
- Crafted or Quartersawn door styles will be supplied in plain sawn wood
- Trimmable 4" each end; SP224 trimmable 5"

❖	A
❖	C
❖	E
❖	H
❖	TH
❖	HG
❖	WG
❖	M
❖	O
❖	QS

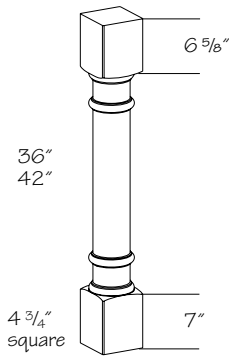


Split Spindles

SP224 .S	2" x 7/8" x 24"
SP230 .S	2 1/2" x 1 3/16" x 30"
SP336 .S	2 7/8" x 2 3/8" x 36"
SP348 .S	2 7/8" x 2 3/8" x 48"

- Solid wood
- Painted hardwood supplied for EverCore™ and Thermofoil
- Painted or Stained hardwood supplied for Wood-Grain Foil door styles
- Oak supplied for Hickory
- Crafted or Quartersawn door styles will be supplied in plain sawn wood
- Trimmable 4" each end; SP224.S trimmable 5"

❖	A
❖	C
❖	E
❖	H
❖	TH
❖	HG
❖	WG
❖	M
❖	O
❖	QS



Roman Spindles

RSP536
RSP542

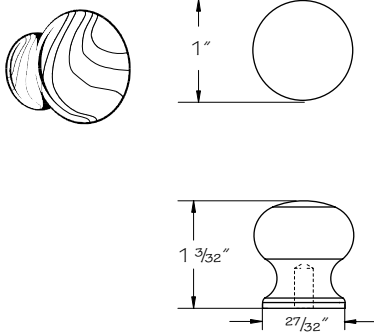
- Solid wood
- Painted hardwood supplied for EverCore™ and Thermofoil
- Painted or Stained hardwood supplied for Wood-Grain Foil door styles
- Oak supplied for Hickory
- Crafted or Quartersawn door styles will be supplied in plain sawn wood

❖	A
❖	C
❖	E
❖	H
❖	TH
❖	HG
❖	WG
❖	M
❖	O
❖	QS

Decorative Hardware

Color variation may exist between decorative hardware designs that share same finish color name.

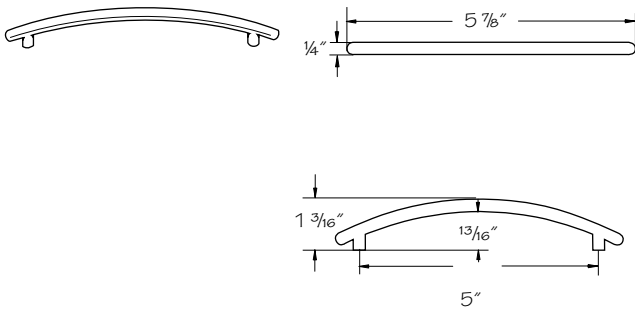
7077	•M
code	maple



Spice Drawer Cabinet Replacement Hardware

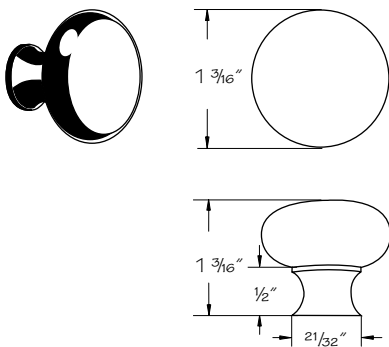
- 161** Birch and Maple
- 171** Cherry
- 181** Oak and Hickory
- 191** Alder
- 634** Supplied White for Cream and White

- **Cannot** be used for whole kitchen orders; for replacements only
- Cherry supplied for Alder
- **Not** available in High-Gloss Foil or Wood-Grain Foil door styles



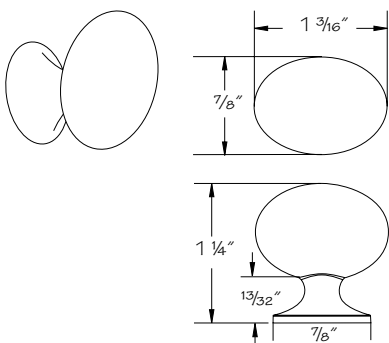
Satin Chrome 5" Center Pull

205



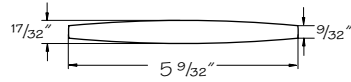
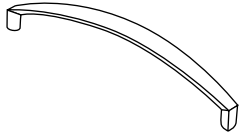
Matte Nickel Knob

506



Medium Football Knob

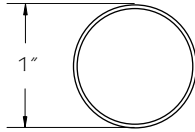
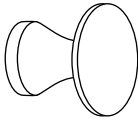
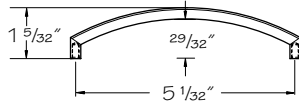
- 3003** Oil Rubbed Bronze; Also see companion 3004
- 3015** Satin Nickel



Oil Rubbed Bronze Pull

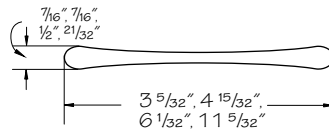
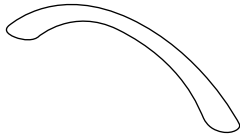
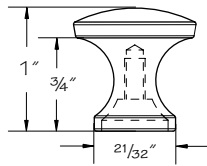
3004

- Also see companion 3003



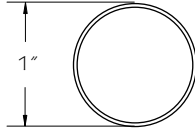
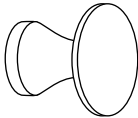
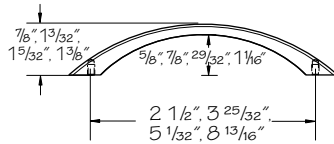
Satin Nickel Knob

3013



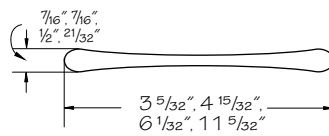
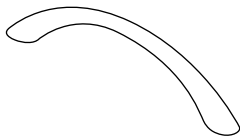
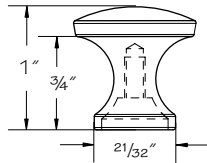
Satin Nickel Tapered Bow Pull

- 3018** 2 1/2" center
- 3019** 3 25/32" center
- 3020** 5 1/32" center
- 3021** 8 13/16" center



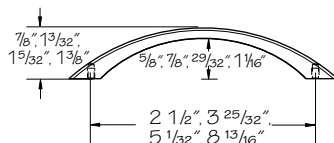
Brushed Brass Tapered Knob

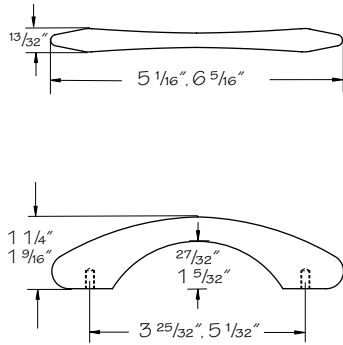
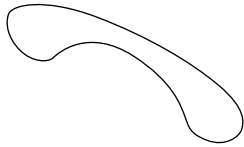
3013 .BBS



Brushed Brass Tapered Bow Pull

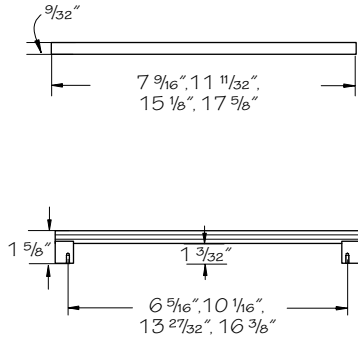
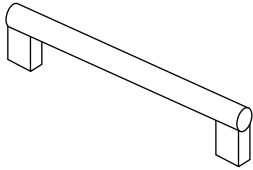
- 3018 .BBS** 2 1/2" center
- 3019 .BBS** 3 25/32" center
- 3020 .BBS** 5 1/32" center
- 3021 .BBS** 8 13/16" center





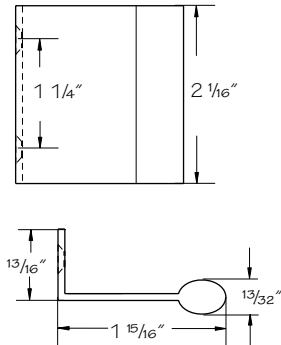
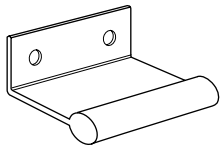
Satin Nickel Dog Bone Pull

- 3023** 3 25/32" center
- 3024** 5 1/32" center



Aluminum Round Bar Pull

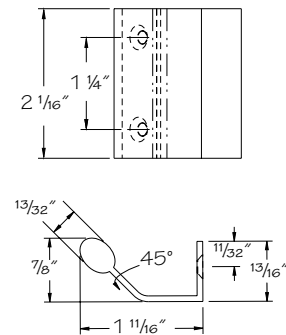
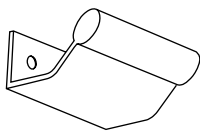
- 3035** 6 5/16" center
- 3036** 10 1/16" center
- 3037** 13 27/32" center
- 3038** 16 3/8" center



Aluminum Integrated Pull

3042

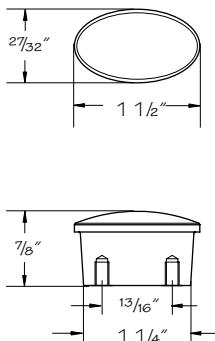
- Use a 7/64" drill bit for pilot holes
- Designed to be screwed into back of door
- For use on aluminum frame doors



Aluminum Integrated Angled Pull

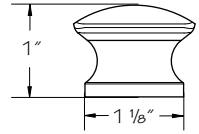
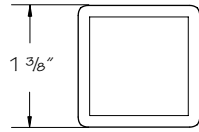
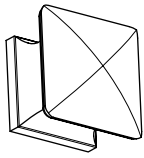
3043

- Use a 7/64" drill bit for pilot holes
- Designed to be screwed into back of door
- For use on aluminum frame doors
- Use on Wall Top Hinge (WTH, WRTH) cabinets when stacking on top of Wall Lateral Bifold (WLBIF) cabinets



Tailored Knob

- 7017 .DBB** Dark Brushed Bronze
- 7017 .MN** Matte Nickel
- 7017 .PN** Polished Nickel



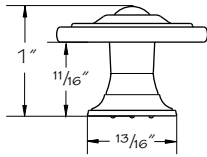
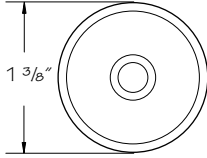
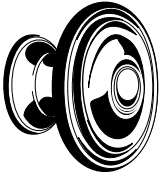
Square Wood Knob

7023 .C Cherry

7023 .M Maple

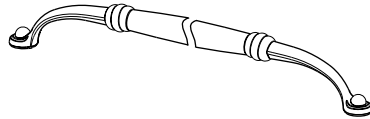
7023 .O Oak

- Available in Cherry, Maple, Oak and Foil finishes
- Thermofoils are painted hardwood
- **Not** available in High-Gloss Foil finishes



Antique Knob

7025 Antique pewter and copper



Antique Pull

Standard Pulls

7026 3 25/32" center

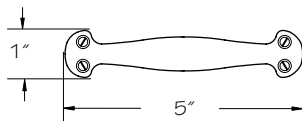
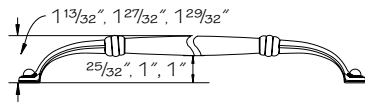
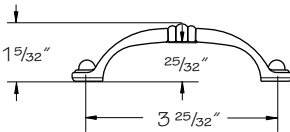
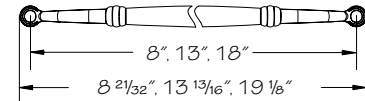
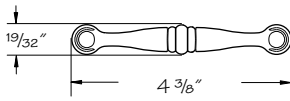
7104 8" center

Appliance Pulls

7105 13" center

7106 18" center

- Antique pewter and copper



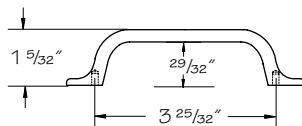
Trunk Pull

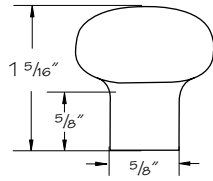
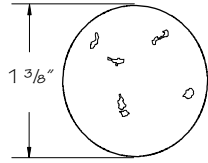
7033 .AP Antique Pewter

7033 .BP Blackened Pewter

7033 .MN Matte Nickel

- Suitcase type with faux screws

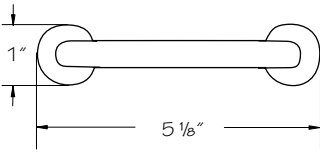
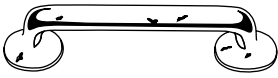




Aged Bronze Knob

7034

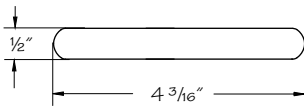
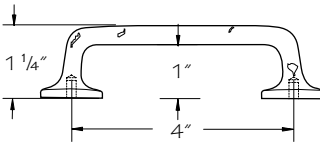
- Distressed aged bronze



Aged Bronze Pull

7035

- Distressed aged bronze

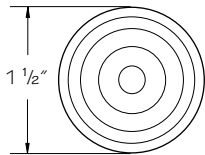
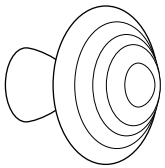
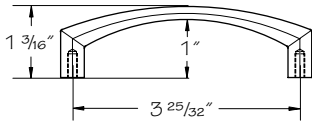


Tailored Pull

7040 .DBB Dark Brushed Bronze

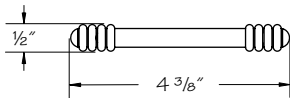
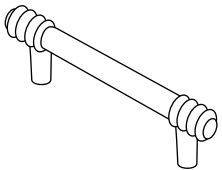
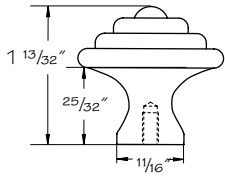
7040 .MN Matte Nickel

7040 .PN Polished Nickel



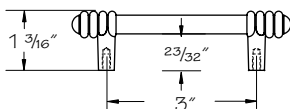
Pewter Domed Ring Knob

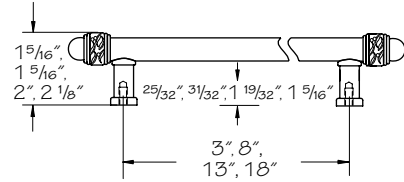
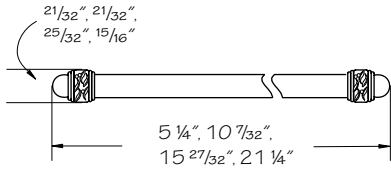
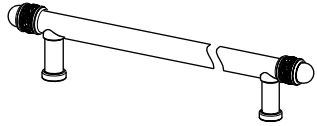
7053



Pewter Ringed Pull

7054





Olive Leaf Pull

Standard Pulls

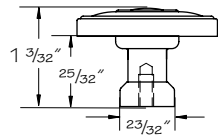
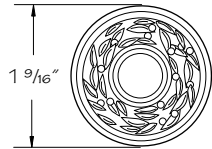
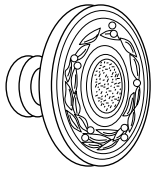
7065 .AP Antique Pewter 3" center

7107 .AP Antique Pewter 8" center

Appliance Pulls

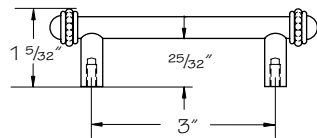
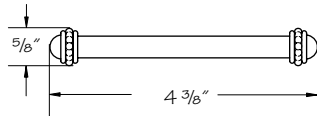
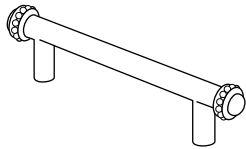
7108 .AP Antique Pewter 13" center

7109 .AP Antique Pewter 18" center



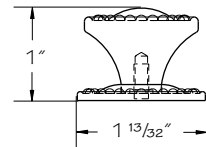
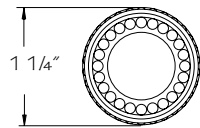
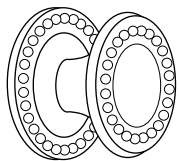
Olive Leaf Knob

7066 .AP Antique Pewter



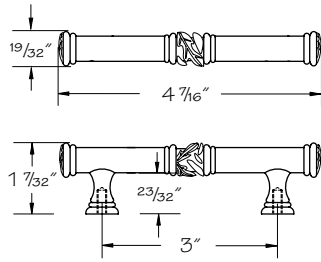
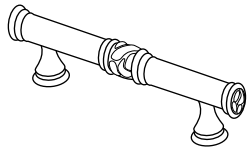
Aged Pewter Beaded Pull

7067



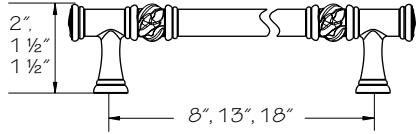
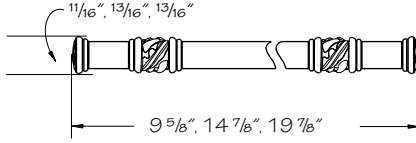
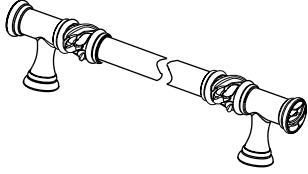
Aged Pewter Beaded Knob With Backplate

7068

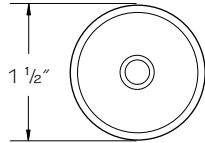
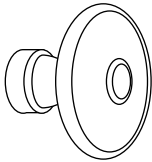


Venetian Bronze Victorian Leaf Pull

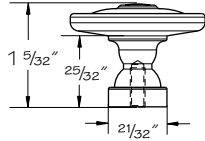
- 7070** 3" center
- 7110** 8" center
- 7111** 13" center
- 7112** 18" center



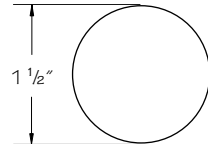
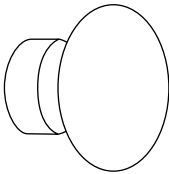
Venetian Bronze Rustic Knob



7071

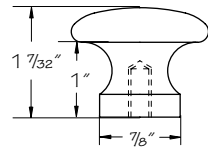


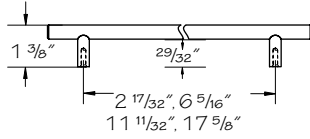
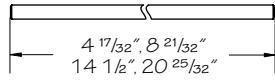
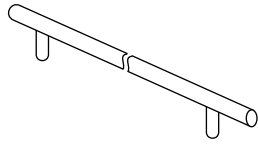
Round Knob



- 7077 .C** Cherry
- 7077 .M** Maple
- 7077 .O** Oak

- Available in Cherry, Maple, Oak and Foil finishes
- Thermofoils are painted hardwood
- **Not** available in High-Gloss Foil finishes





Bar Pull

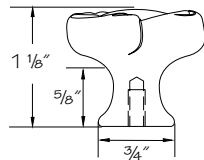
Standard Pulls

- * **7085 .AB** Ancient Bronze 2 17/32" center
- * **7085 .SS** Stainless Steel 2 17/32" center
- * **7086 .AB** Ancient Bronze 6 5/16" center
- * **7086 .SS** Stainless Steel 6 5/16" center

Appliance Pulls

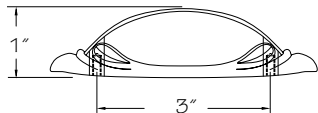
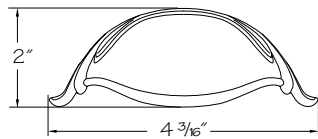
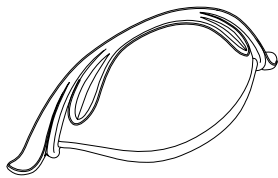
- * **7087 .AB** Ancient Bronze 11 11/32" center
- * **7087 .SS** Stainless Steel 11 11/32" center
- * **7088 .AB** Ancient Bronze 17 5/8" center
- * **7088 .SS** Stainless Steel 17 5/8" center

* Overall width is 4"



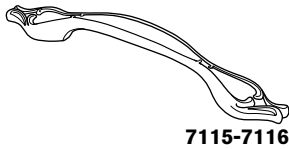
French Farm Round Knob

- 7113 .AB** Ancient Bronze
- 7113 .AN** Antique Nickel
- 7113 .STB** Statuary Bronze

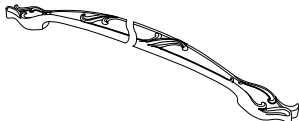
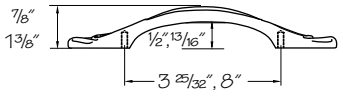
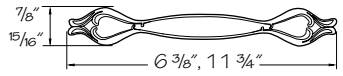


French Farm Cup Pull

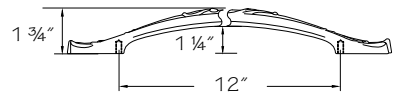
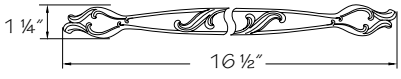
- 7114 .AB** Ancient Bronze
- 7114 .AN** Antique Nickel
- 7114 .STB** Statuary Bronze



7115-7116



7117



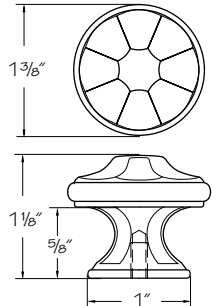
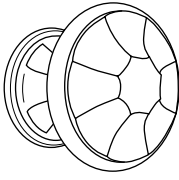
French Farm Pull

Standard Pulls

- 7115 .AB** Ancient Bronze 3 25/32" center
- 7115 .AN** Antique Nickel 3 25/32" center
- 7115 .STB** Statuary Bronze 3 25/32" center
- 7116 .AB** Ancient Bronze 8" center
- 7116 .AN** Antique Nickel 8" center
- 7116 .STB** Statuary Bronze 8" center

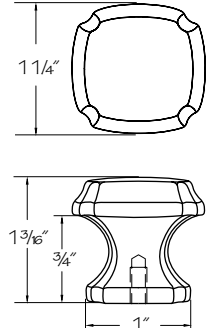
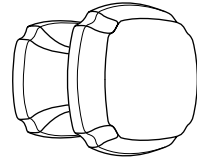
Appliance Pulls

- 7117 .AB** Ancient Bronze 12" center
- 7117 .AN** Antique Nickel 12" center
- 7117 .STB** Statuary Bronze 12" center



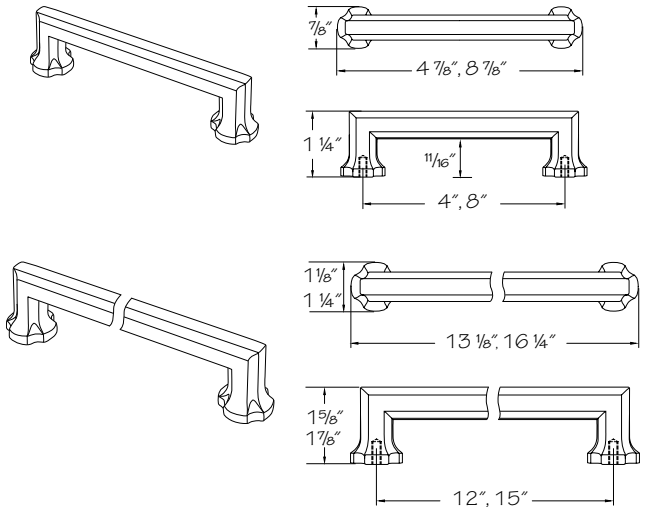
Empire Knob

- 7118 .AN** Antique Nickel
- 7118 .PN** Polished Nickel



Empire Square Knob

- 7119 .AN** Antique Nickel
- 7119 .PN** Polished Nickel



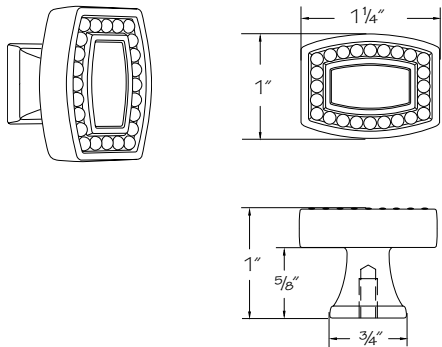
Empire Pull

Standard Pulls

- 7120 .AN** Antique Nickel 4" center
- 7120 .PN** Polished Nickel 4" center
- 7121 .AN** Antique Nickel 8" center
- 7121 .PN** Polished Nickel 8" center

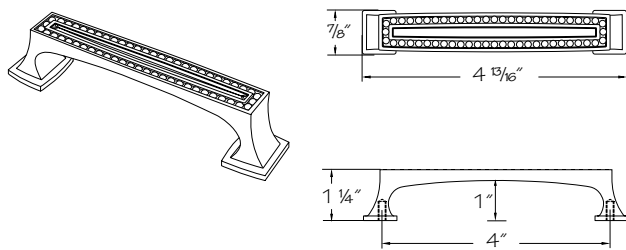
Appliance Pulls

- 7122 .AN** Antique Nickel 12" center
- 7122 .PN** Polished Nickel 12" center
- 7123 .AN** Antique Nickel 15" center
- 7123 .PN** Polished Nickel 15" center



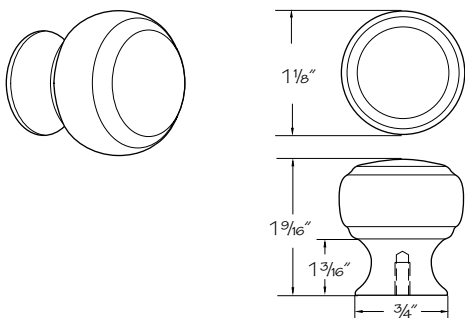
Pearl Beaded Knob

- 7124 .AN** Antique Nickel
- 7124 .PN** Polished Nickel



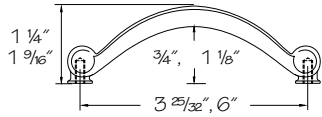
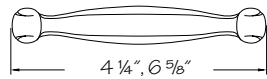
Pearl Beaded Pull

- 7125 .AN** Antique Nickel
- 7125 .PN** Polished Nickel



Crescent Knob

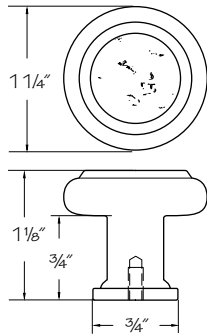
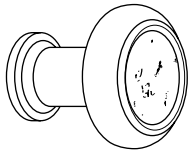
- 7126 .AN** Antique Nickel
- 7126 .BB** Brushed Bronze
- 7126 .PN** Polished Nickel
- 7126 .STB** Statuary Bronze



Crescent Pull

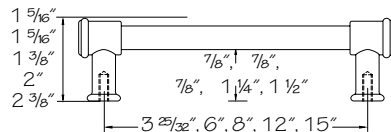
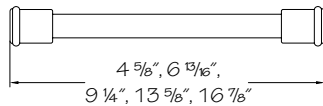
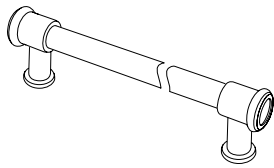
(EMPTY)

7127 .AN	Antique Nickel	3 25/32" center
7127 .BB	Brushed Bronze	3 25/32" center
7127 .PN	Polished Nickel	3 25/32" center
7127 .STB	Statuary Bronze	3 25/32" center
7128 .AN	Antique Nickel	6" center
7128 .BB	Brushed Bronze	6" center
7128 .PN	Polished Nickel	6" center
7128 .STB	Statuary Bronze	6" center



Baluster Knob

7131 .APC	Antique Pewter w/Copper
7131 .BB	Brushed Bronze
7131 .SN	Satin Nickel
7131 .STB	Statuary Bronze



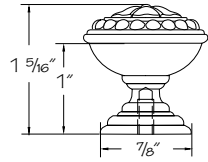
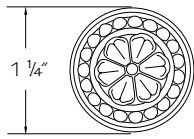
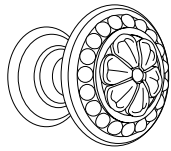
Baluster Pull

Standard Pulls

7132 .APC	Antique Pewter w/Copper	3 25/32" center
7132 .BB	Brushed Bronze	3 25/32" center
7132 .SN	Satin Nickel	3 25/32" center
7132 .STB	Statuary Bronze	3 25/32" center
7133 .APC	Antique Pewter w/Copper	6" center
7133 .BB	Brushed Bronze	6" center
7133 .SN	Satin Nickel	6" center
7133 .STB	Statuary Bronze	6" center
7134 .APC	Antique Pewter w/Copper	8" center
7134 .BB	Brushed Bronze	8" center
7134 .SN	Satin Nickel	8" center
7134 .STB	Statuary Bronze	8" center

Appliance Pulls

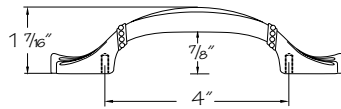
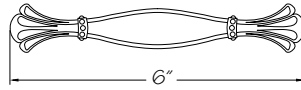
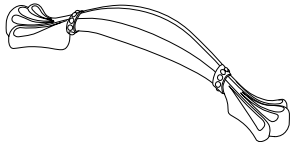
7135 .APC	Antique Pewter w/Copper	12" center
7135 .BB	Brushed Bronze	12" center
7135 .SN	Satin Nickel	12" center
7135 .STB	Statuary Bronze	12" center
7136 .APC	Antique Pewter w/Copper	15" center
7136 .BB	Brushed Bronze	15" center
7136 .SN	Satin Nickel	15" center
7136 .STB	Statuary Bronze	15" center



Heritage Knob

7137 .AB Ancient Bronze

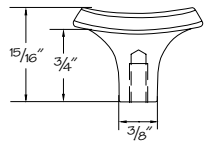
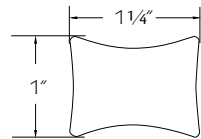
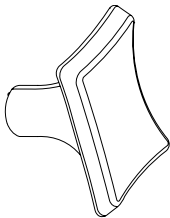
7137 .AN Antique Nickel



Heritage Pull

7138 .AB Ancient Bronze

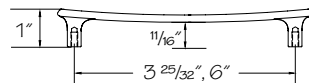
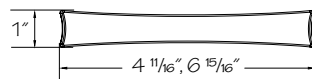
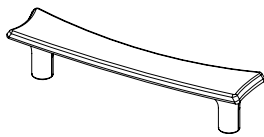
7138 .AN Antique Nickel



Sail Knob

7139 .SN Satin Nickel

7139 .STB Statuary Bronze



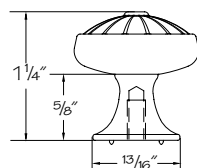
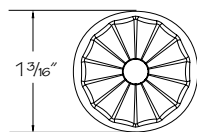
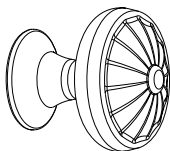
Sail Pull

7140 .SN Satin Nickel 3 25/32" center

7140 .STB Statuary Bronze 3 25/32" center

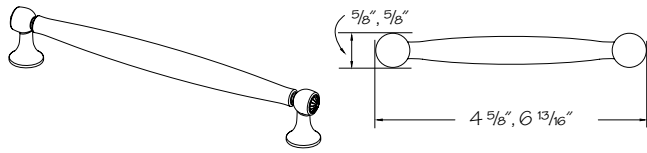
7141 .SN Satin Nickel 6" center

7141 .STB Statuary Bronze 6" center



Heirloom Knob

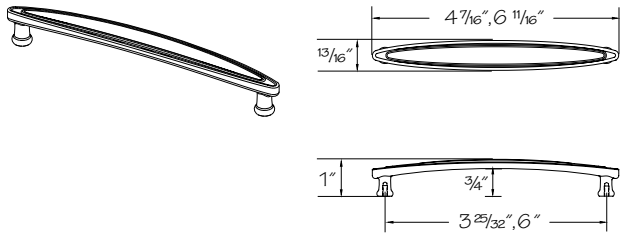
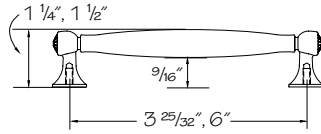
7146 .STB Statuary Bronze



Heirloom Pull

7147 .STB Statuary Bronze 3 25/32" center

7148 .STB Statuary Bronze 6" center



Simplicity Pull

7151 .PN Polished Nickel 3 25/32" center

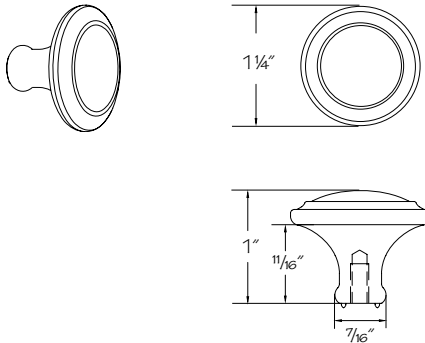
7151 .DBB Dark Brushed Bronze 3 25/32" center

7151 .STB Statuary Bronze 3 25/32" center

7152 .PN Polished Nickel 6" center

7152 .DBB Dark Brushed Bronze 6" center

7152 .STB Statuary Bronze 6" center

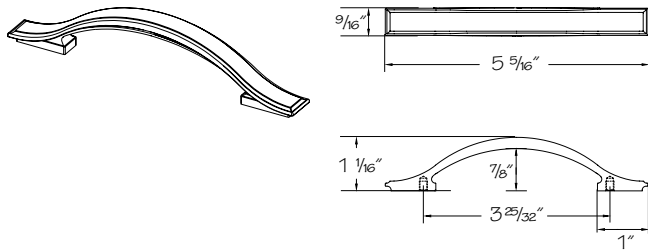


Simplicity Knob

7153 .DBB Dark Brushed Bronze

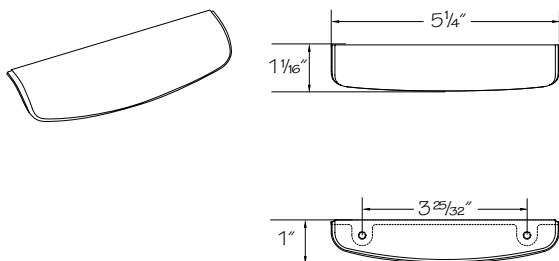
7153 .PN Polished Nickel

7153 .STB Statuary Bronze



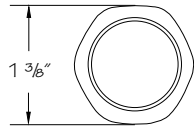
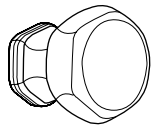
Modern Pull

7154 .PC Polished Chrome



Modern Cup Pull

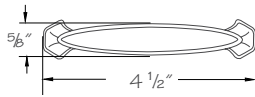
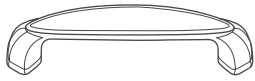
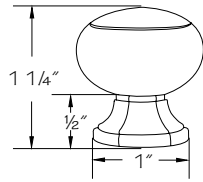
7156 .PC Polished Chrome



Federal Knob

7159 .AB Ancient Bronze

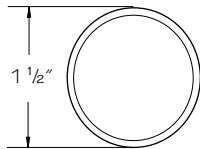
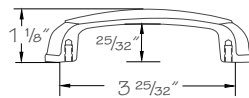
7159 .AN Antique Nickel



Federal Pull

7160 .AB Ancient Bronze

7160 .AN Antique Nickel

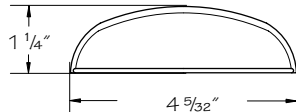
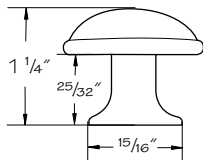


Trunk Knob

7161 .AP Antique Pewter

7161 .BP Blackened Pewter

7161 .MN Matte Nickel

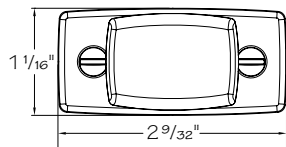
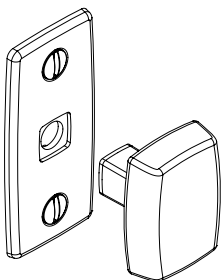
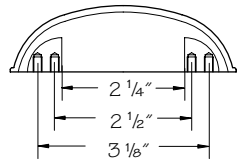


Trunk Cup Pull

7162 .AP Antique Pewter

7162 .BP Blackened Pewter

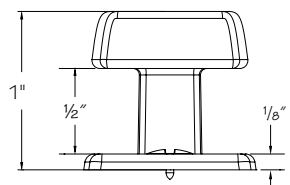
7162 .MN Matte Nickel

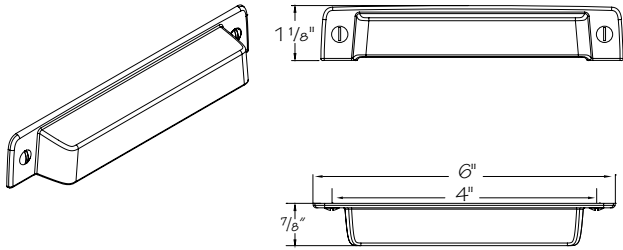


Fordham Knob

7165 .PN Polished Nickel

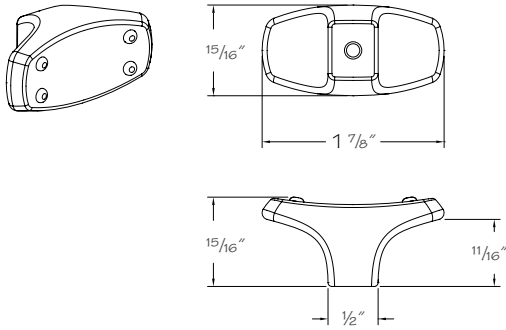
7165 .STB Statuary Bronze





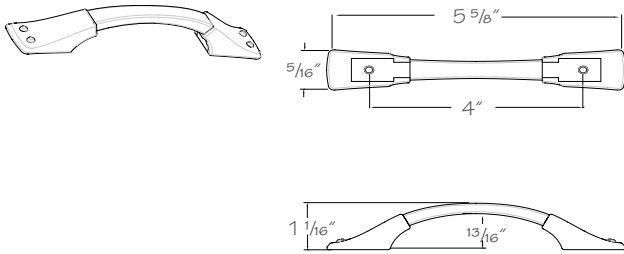
Fordham Bin Pull

- 7166 .PN** Polished Nickel
- 7166 .STB** Statuary Bronze



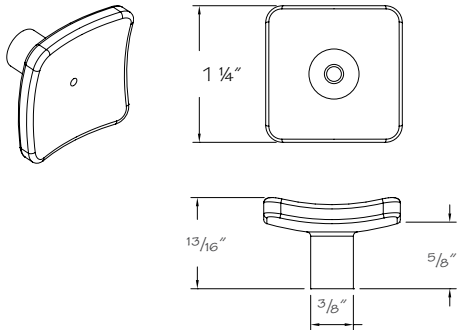
Jericho Knob

- 7167 .AP** Antique Pewter
- 7167 .PC** Polished Chrome



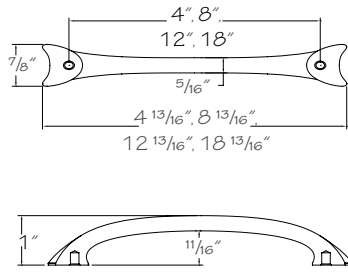
Jericho Pull

- 7168 .AP** Antique Pewter w/Soft Iron Center Bar
- 7168 .PC** Polished Chrome w/Matte Black Center Bar



Mode Knob

- 7169 .BB** Brushed Bronze
- 7169 .BBS** Brushed Brass
- 7169 .PC** Polished Chrome



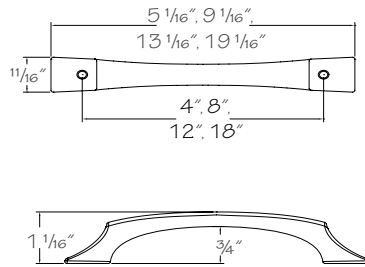
Mode Pull

Standard Pulls

7170 .BB	Brushed Bronze	4" center
7170 .BBS	Brushed Brass	4" center
7170 .PC	Polished Chrome	4" center
7171 .BB	Brushed Bronze	8" center
7171 .BBS	Brushed Brass	8" center
7171 .PC	Polished Chrome	8" center

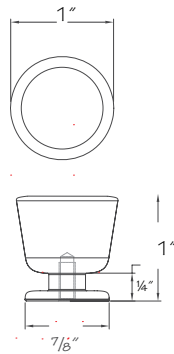
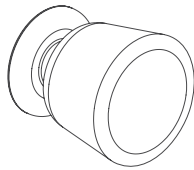
Appliance Pulls

7172 .BB	Brushed Bronze	12" center
7172 .BBS	Brushed Brass	12" center
7172 .PC	Polished Chrome	12" center
7173 .BB	Brushed Bronze	18" center
7173 .BBS	Brushed Brass	18" center
7173 .PC	Polished Chrome	18" center



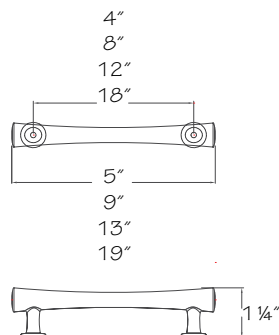
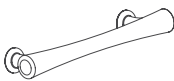
Tide Bar Pull

7174 .BB	Brushed Bronze	4" center
7174 .SC	Satin Chrome w/Polished Chrome Inset	4" center
7175 .BB	Brushed Bronze	8" center
7175 .SC	Satin Chrome w/Polished Chrome Inset	8" center
7176 .BB	Brushed Bronze	12" center
7176 .SC	Satin Chrome w/Polished Chrome Inset	12" center
7177 .BB	Brushed Bronze	18" center
7177 .SC	Satin Chrome w/Polished Chrome Inset	18" center



Waterton Knob

7183 .BBS	Brushed Brass
7183 .SN	Satin Nickel



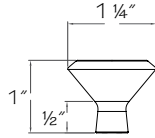
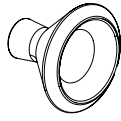
Waterton Pull

Standard Pulls

7184 .BBS	Brushed Brass	4" center
7184 .SN	Satin Nickel	4" center
7185 .BBS	Brushed Brass	8" center
7185 .SN	Satin Nickel	8" center

Appliance Pulls

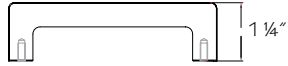
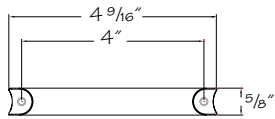
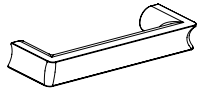
7186 .BBS	Brushed Brass	12" center
7186 .SN	Satin Nickel	12" center
7187 .BBS	Brushed Brass	18" center
7187 .SN	Satin Nickel	18" center



Smithwick Knob

7188 .SN Satin Nickel

7188 .SNW Satin Nickel and White



Smithwick Pull

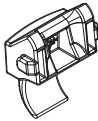
7189 .SN Satin Nickel 4" center

7189 .SNW Satin Nickel and White 4" center

PBDR	12
code	depth

Specifications subject to change without notice.

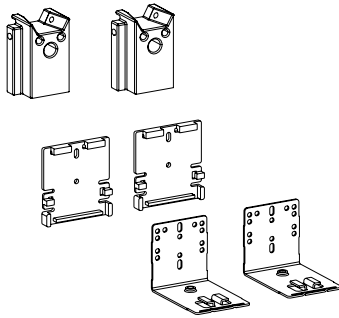
Whisper Touch™ Angle Restrictor Clip



WTHARC

- Limits hinge opening angle to 86 degrees (+/- 2 degrees)
- **Cannot** be used in cabinets with installed accessories
- Used for:
 - PH1516•SC — Whisper Touch™ Hinges - Full Overlay
 - PH12C•SC — Whisper Touch™ Hinges - Half Overlay
 - PHFM•SC — Whisper Touch™ Hinges - Face Mount
- Packaged and sold four per box
- **Note:** One clip per door is sufficient; however, one clip per hinge results in less deflection

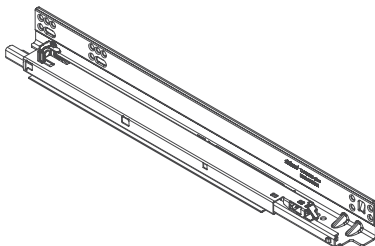
Whisper Touch™ Deluxe Dovetailed Roll-Out Tray Mounting Block Kit



BWTDXROTK

- Includes mounting blocks, drawer glide mounting sleeves and fasteners
- Used for:
 - Whisper Touch™ Deluxe Dovetailed Roll-out Tray runners
- Packaged and sold as a pair

Whisper Touch™ Drawer Runners

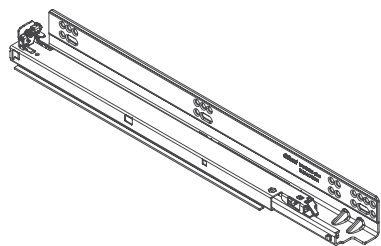


- PBWTDR12**
- PBWTDR15**
- PBWTDR18**
- PBWTDR21**
- PBWTDR24**

- 90 lbs. capacity
- Fully concealed
- Full extension runner, pulls out past the face frame
- Ball bearing operation
- Integrated mechanism closes drawers softly and quietly
- Packaged and sold as a pair
- **Must** order drawer clips separately

Whisper Touch™ Drawer Runners—Two Drawer Cabinets

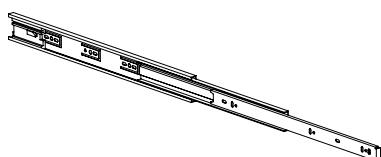
PBWTDR21 .2
PBWTDR24 .2



- 90 lbs. capacity
- Fully concealed
- Full extension runner, pulls out past the face frame
- Ball bearing operation
- Integrated mechanism closes drawers softly and quietly
- Used for:
 - BPPS_•2—Base Pot and Pan Organizer Two Drawer
 - BDDC—Base Deep Drawer Combination
- Packaged and sold as a pair
- **Must** order drawer clips separately

Replacement Runners for Toe Kick Drawer

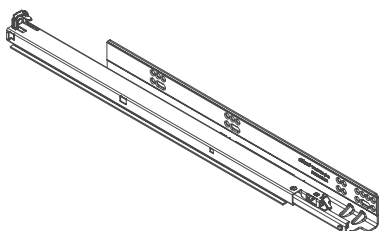
18" Deep
PDRTKD18
 21" Deep
PDRTKD21
 24" Deep
PDRTKD24



- 100 lb. capacity
- Used for Toe Kick Drawer (TKD)
- Packaged and sold as a pair

Whisper Touch™ Base Pantry Pull-Out Runners

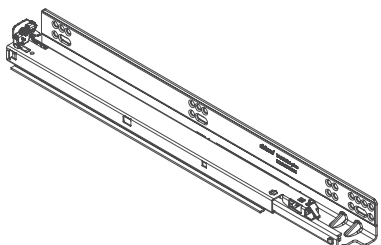
PBWTBPPDR24



- 90 lbs. capacity
- Fully concealed
- Full extension runner, pulls out past the face frame
- Ball bearing operation
- Integrated mechanism closes drawers softly and quietly
- Used for:
 - BPP—Base Pantry Pull-out
 - BLB—Base Liter Bottle
- Packaged and sold as a pair
- **Must** order drawer clips separately

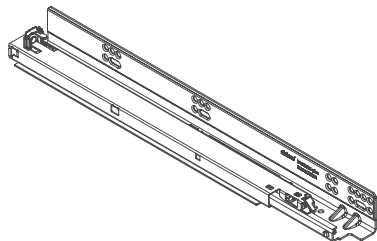
Whisper Touch™ Vanity Base Pull-Out Runners

PBWTBPPDR21



- 90 lbs. capacity
- Fully concealed
- Full extension runner, pulls out past the face frame
- Ball bearing operation
- Integrated mechanism closes drawers softly and quietly
- Used for:
 - VBP – Vanity Base Pull-Out
- Packaged and sold as a pair
- **Must** order drawer clips separately

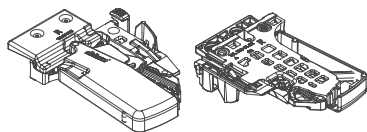
Whisper Touch™ Deluxe Dovetailed Roll-Out Tray Drawer Runners



PBWTDXR18
PBWTDXR21
PBWTDXR24

- 90 lbs. capacity
- Fully concealed
- Full extension runner, pulls out past the face frame
- Ball bearing operation
- Integrated mechanism closes drawers softly and quietly
- Packaged and sold as a pair
- **Must** order drawer clips separately

Whisper Touch™ Drawer Clips

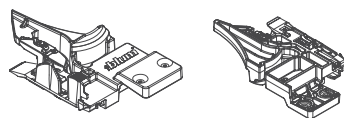


BOX .BWTDC Box of ten; five left and five right

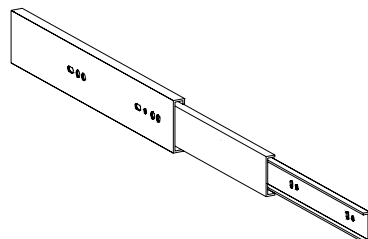
PBWTDC Packaged and sold as a pair

PBWTDC .S Packaged and sold as a pair

- PBWTDC .S is used for:
 BLB — Base Liter Bottle
 BPP — Base Pantry Pull-out
 VBP — Vanity Base Pull-out |
 VSB36.2D — Vanity Sink Base



Full Extension Drawer Runner

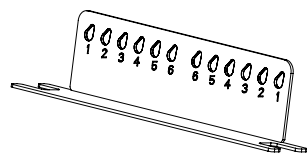


* **PFDR12**
PFDR15
PFDR18
PFDR21
PFDR24

- 75 lbs. capacity
- Full extension runner, pulls out past the face frame
- Packaged and sold as a pair
- Used for:
 DDFD—Desk Double File Drawer
 WMSP—Wall Multi-Storage Pantry

* Used for:

Deluxe Roll-out Tray Extension Tail



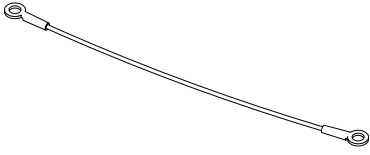
PBDRET

- Required when installing Deluxe Dovetailed Roll-out Trays (DXROT) and Chrome Deluxe Roll-out Trays (SDXROT) in cabinets with modified depth. **Not** Necessary for 24", 21" and 18" deep cabinets

Door Stop Kit

DSTK

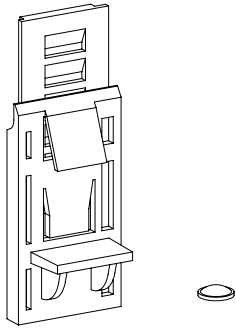
- Nylon coated stainless wire rope
- Stainless eyes with aluminum collar
- Mounting hardware included



Adjustable Shelf Clips

BOX .ASC

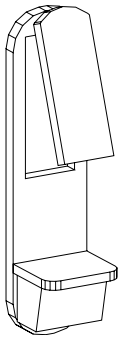
- Adjustable clear plastic clip locks in eight positions for approximately 1 5/8" of vertical adjustment
- Includes slip resistant pads
- Wood shelves may need to be trimmed to accommodate the thickness of this clip
- Ten per box



Shelf Clips

BOX .SC12 For 1/2" thick shelves
BOX .SC34 For 3/4" thick shelves

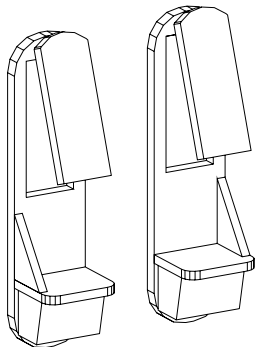
- Clear plastic locking clip
- Ten per box



Front Shelf Clips

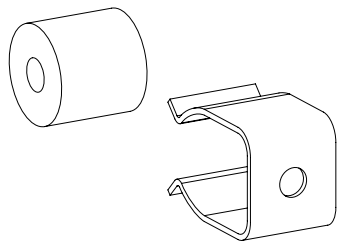
BOX .SCF

- Clear plastic locking clip
- Plastic front edge restraint
- Ten per box (Five left and five right)



False Front Clips

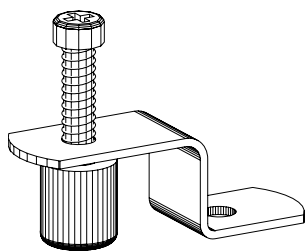
BOX .SFFC



- Mounting hardware included
- Ten per box

Door Insert Clips

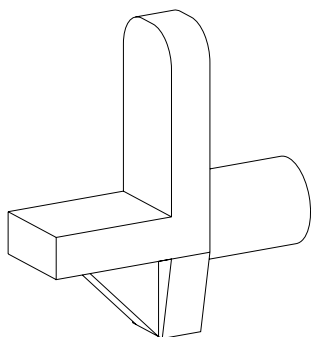
BOX .IC



- Burnished brass finish
- Mounting screws included
- Eight per box

Furniture Shelf Rests

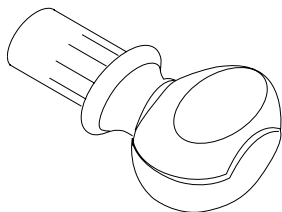
BOX .FSR



- Satin chrome
- For use in any cabinet
- Ten per box

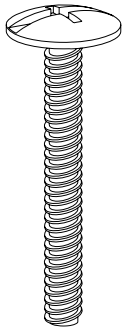
Glass Shelf Rests

BOX .GSR



- Polished chrome finish with slip resistant pad
- Twelve per box

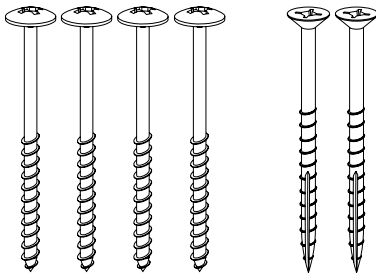
Hardware Screws



BOX .HS

- Specify door or drawer and hardware type
- Order Example: BOX•HSDOOR for 205 hardware
- Ten per box

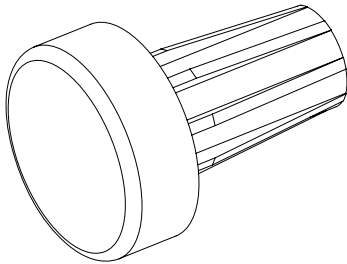
Installation Screws



BOX .IS

- Each pack includes 4 mounting screws and 2 cabinet-to-cabinet screws
- Mounting screws are 2 3/4" long
- Cabinet-to-cabinet screws are 2 1/2" long
- Ten packs per box

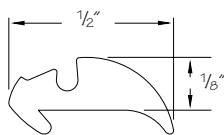
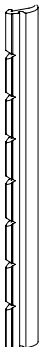
Door Bumpers



BOX .PSDB

- Opaque "Eversoft" rubber door bumpers
- Ten per box

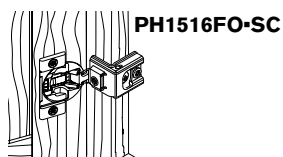
Glass Insert Retainer Strip



MDRS

- Holds decorative glass in a door frame
- Used with the following decorative glass inserts: Bistro (BIS), Ravenna (RAV), and Shadow (SHW)
- Specify length needed, in feet

Whisper Touch™ Hinges–Full Overlay



PH1516FO-SC

(EMPTY)

PH1516FO .SC

▲ **PH34FO .SC**

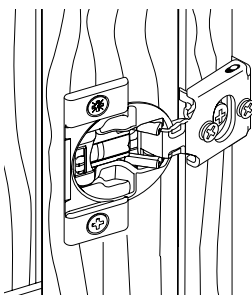
▲ for B6 R or L.FO

- Six-way adjustable hinge
- Nickel plated finish
- Integrated mechanism closes doors softly and quietly
- On/off switch adjusts closing speed for light and heavy doors
- Packaged and sold as a pair



PH34FO-SC

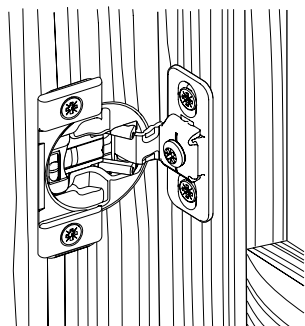
Whisper Touch™ Hinges– 1/2" Overlay



PH12C .SC

- Six-way adjustable hinge
- Nickel plated finish
- Integrated mechanism closes doors softly and quietly
- On/off switch adjusts closing speed for light and heavy doors
- Packaged and sold as a pair

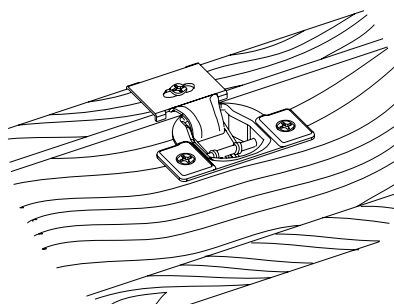
Whisper Touch™ Hinges–Face Mount



PHFM .SC

- Four-way adjustable hinge
- Nickel plated finish
- Integrated mechanism closes doors softly and quietly
- On/off switch adjusts closing speed for light and heavy doors
- Used for Oven Cabinets (OC) with 3" frame stiles in the door section
- Packaged and sold as a pair

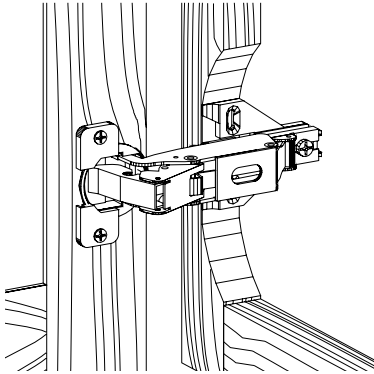
Hinges–Partial Overlay Concealed



PH12PO

- Nickel plated finish
- Packaged and sold as a pair

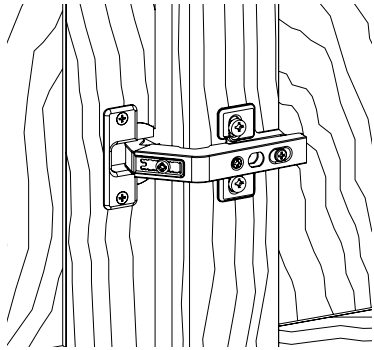
Hinges—Partial Or Full Overlay Easy Reach



PH170EZ

- Nickel plated finish
- Packaged and sold as a pair
- Used for all Easy Reach (EZR) cabinets

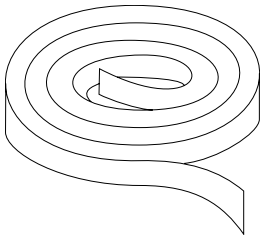
Hinges—Bifold



PHBF

- Nickel plated finish
- Packaged and sold as a pair

Vinyl Edgebanding



EDB

- 7/8" wide
- Edgebanding color will match the cabinet box color of the selected door style and finish
- Sold by the foot (quantity ordered will equal the number of feet needed)
- **Not** self-adhesive; installation will require contact cement

QST	WG
code	finish

Specifications subject to change without notice.

Cabinet Care Kit



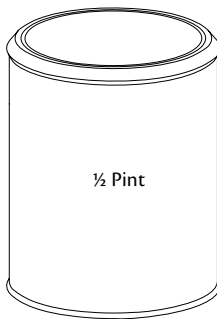
CCK

- Kit includes: 8 oz. Polish and Cleaner; 12" x 12" Dusting Cloth and Polish/Cleaner Cloth



For complete care of your cabinets, we recommend ordering the Touch-Up in the cabinet color(s). If your design uses Whisper Touch™ Hinges, you may also want to order the Whisper Touch™ Angle Restrictor Clip (WTHARC)

Cutting Board Finish



CBF 1/2 Pint

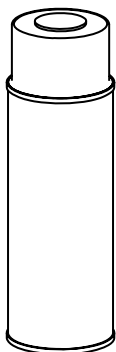
- Specially formulated for food safe application to all cutting board surfaces

Polish



KMP

- 16 oz. bottle
- Industrial grade polish for wood, brass and vinyl



- Matches base color only
- 13 oz. can
- **Cannot** be used to touch up High-Gloss Foil door styles; matte sheen will match box and accessories that are **not** High-Gloss

Aerosol Can

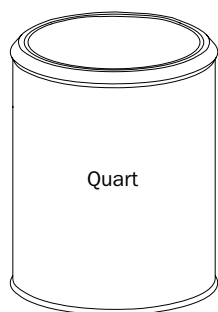
Clear Finishes

- ACNA** Natural
ACSDE Suede (Matte)

Color Finishes

- ▲ **ACAB** Autumn Blush, Autumn Blush Suede
- ▲ **ACD78** Baltic, Baltic Suede
- ▲ **ACE69** Bonsai, Bonsai Suede
- ▲ **ACE67** Burmese, Burmese Suede
- ▲ **ACD81** Cannon Grey, Cannon Grey Suede
- ▲ **ACVG** Canvas w/Cocoa Glaze
- ▲ **ACCV** Canvas, Canvas Suede, Canvas w/Cinder Glaze, Vintage Canvas
- ▲ **ACCN** Chestnut, Chestnut Suede, Chestnut w/Onyx Glaze
- ▲ **ACEG** Chocolate w/Ebony Glaze
- ▲ **ACCZ** Chocolate, Chocolate Suede
- ▲ **ACCA** Cinnamon, Cinnamon Suede, Cinnamon w/Onyx Glaze
- ▲ **ACCO** Cognac, Cognac Suede
- ▲ **ACCS** Cream
- ▲ **ACDWCG** Dove White w/Cocoa Glaze
- ▲ **ACWH** Dove White, Dove White Suede, Dove White w/Cinder Glaze, Vintage Dove White
- ▲ **ACFN** Fawn, Fawn Suede
- ▲ **ACGN** Ginger, Ginger Suede, Ginger w/Sable Glaze
- ▲ **ACGY** Greyloft, Greyloft Suede, Greyloft w/Sable Glaze, Vintage Greyloft
- ▲ **ACHS** Honey Spice, Honey Spice Suede
- ▲ **ACHK** Husk, Husk Suede
- ▲ **ACKA** Kaffé, Kaffé Suede
- ▲ **ACE63** Lagoon, Lagoon Suede
- ▲ **ACD90** Linen, Linen Suede, Linen w/Cinder Glaze, Linen w/Cocoa Glaze, Vintage Linen
- ▲ **ACMD** Midnight, Midnight Suede, Midnight w/Onyx Glaze, Vintage Midnight
- ▲ **ACE58** Molasses, Molasses Suede
- ▲ **ACD98** Moonshine, Moonshine Suede, Moonshine w/Cinder Glaze, Moonshine w/Cocoa Glaze, Vintage Moonshine
- ▲ **ACON** Onyx, Onyx Suede, Vintage Onyx
- ▲ **ACPBG** Pebble Grey, Pebble Grey Suede, Pebble Grey w/Cocoa Glaze, Vintage Pebble Grey
- ▲ **ACPC** Peppercorn, Peppercorn Suede
- ▲ **ACPR** Praline, Praline Suede, Praline w/Onyx Glaze
- ▲ **ACSAD** Saddle, Saddle Suede
- ▲ **ACE65** Surfside, Surfside Suede
- ▲ **ACSL** Slate, Slate Suede
- ▲ **ACSU** Sunset

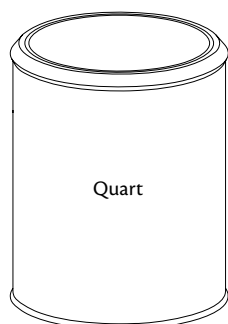
▲ **Must** use Suede aerosol with Suede finishes



- Includes one qt. of paint
- **Cannot** be used to touch up High-Gloss Foil door styles; matte sheen will match box and accessories that are **not** High-Gloss

Paint

- ▲ **QPE06** Aged Concrete
 - ▲ **QPE05** Aged Papyrus
 - ▲ **QPE07** Aged River Rock
 - ▲ **QPE69** Bonsai, Bonsai Suede
 - ▲ **QPE67** Burmese, Burmese Suede
 - ▲ **QPCV** Canvas, Canvas Suede, Vintage Canvas
 - ▲ **QPCS** Cream
 - ▲ **QPWH** Dove White, Dove White Suede, Vintage Dove White, White
 - ▲ **QPGY** Greyloft, Greyloft Suede
 - ▲ **QPE63** Lagoon, Lagoon Suede
 - ▲ **QPD90** Linen, Linen Suede, Vintage Linen
 - ▲ **QPMD** Midnight, Midnight Suede
 - ▲ **QPD98** Moonshine, Moonshine Suede, Vintage Moonshine
 - ▲ **QPON** Onyx, Onyx Suede, Vintage Onyx
 - ▲ **QPPBG** Pebble Grey, Pebble Grey Suede, Vintage Pebble Grey
 - ▲ **QPE65** Surfside, Surfside Suede
 - ▲ **QPCVCDG** Canvas w/Cinder Glaze
 - ▲ **QPVG** Canvas w/Cocoa Glaze
 - ▲ **QPDWCDG** Dove White w/Cinder Glaze
 - ▲ **QPDWCG** Dove White w/Cocoa Glaze
 - ▲ **QPGYSG** Greyloft w/Sable Glaze
 - ▲ **QPD96** Linen w/Cinder Glaze
 - ▲ **QPD94** Linen w/Cocoa Glaze
 - ▲ **QPE04** Moonshine w/Cinder Glaze
 - ▲ **QPE03** Moonshine w/Cocoa Glaze
 - ▲ **QPMDOG** Midnight w/Onxy Glaze
 - ▲ **QPPBGCG** Pebble Grey w/Cocoa Glaze
- ▲ **Must** use Suede aerosol with Suede finishes



- Sold in complete kits only; individual components *not* available
- Includes application instructions

Stain Kit

Topcoat

- QSTNA** Natural top coat
QSTSDE Suede (Matte) top coat

Includes stain

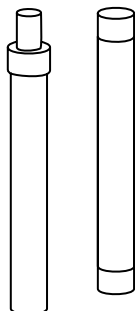
- ▲ **QSTAB** Autumn Blush, Autumn Blush Suede
- ▲ **QSTD78** Baltic, Baltic Suede
- ▲ **QSTD81** Cannon Grey, Cannon Grey Suede
- ▲ **QSTCN** Chestnut, Chestnut Suede
- ▲ **QSTCC** Chocolate
- ▲ **QSTCA** Cinnamon, Cinnamon Suede
- ▲ **QSTCO** Cognac, Cognac Suede
- ▲ **QSTFN** Fawn, Fawn Suede
- ▲ **QSTC19** Ginger, Ginger Suede
- ▲ **QSTHS** Honey Spice, Honey Spice Suede
- ▲ **QSTHK** Husk, Husk Suede
- ▲ **QSTKA** Kaffé, Kaffé Suede
- ▲ **QSTE58** Molasses, Molasses Suede
- ▲ **QSTPC** Peppercorn, Peppercorn Suede
- ▲ **QSTPR** Praline, Praline Suede
- ▲ **QSTSAD** Saddle, Saddle Suede
- ▲ **QSTSL** Slate, Slate Suede
- ▲ **QSTSU** Sunset, Sunset Suede

Includes stain, accent color and topcoat

- QSTCZ** Chocolate Suede
- QSTABOG** Autumn Blush w/Onyx Stain
- QSTCNOG** Chestnut w/Onyx Glaze
- QSTEG** Chocolate w/Ebony Glaze
- QSTCAOG** Cinnamon w/Onyx Glaze
- QSTGN** Ginger w/Sable Glaze
- QSTPROG** Praline w/Onyx Glaze

- ▲ **Must** use Suede aerosol with Suede finishes

Touch-Up Kit



- Kit includes: Fill Stick (FS) and Touch-Up Pen (TP)
- **Cannot** be used to touch up High-Gloss Foil door styles; matte sheen will match box and accessories that are **not** High-Gloss

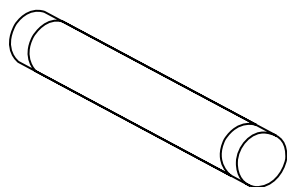
TUKE06	Aged Concrete
TUKE05	Aged Papyrus
TUKE07	Aged River Rock
TUKAB	Autumn Blush, Autumn Blush Suede, Autumn Blush w/Onyx Glaze
TUKD78	Baltic, Baltic Suede
TUKE69	Bonsai, Bonsai Suede
TUKE67	Burmese, Burmese Suede
TUKD81	Cannon Grey, Cannon Grey Suede
TUKVG	Canvas w/Cocoa Glaze
TUKCV	Canvas, Canvas Suede, Canvas w/Cinder Glaze, Vintage Canvas
TUKCN	Chestnut, Chestnut Suede, Chestnut w/Onyx Glaze
TUKEG	Chocolate w/Ebony Glaze
TUKCZ	Chocolate, Chocolate Suede
TUKCA	Cinnamon, Cinnamon Suede, Cinnamon w/Onyx Glaze
TUKCO	Cognac, Cognac Suede
TUKCS	Cream
TUKDWCG	Dove White w/Cocoa Glaze
TUKWH	Dove White, Dove White Suede, Dove White w/Cinder Glaze, White
TUKFN	Fawn, Fawn Suede
TUKGN	Ginger, Ginger Suede, Ginger w/Sable Glaze
TUKGY	Greyloft, Greyloft Suede, Greyloft w/Sable Glaze, Vintage Greyloft
TUKHS	Honey Spice, Honey Spice Suede
TUKHK	Husk, Husk Suede
TUKE63	Lagoon, Lagoon Suede
TUKD90	Linen, Linen Suede, Linen w/Cinder Glaze, Linen w/Cocoa Glaze, Vintage Linen
TUKKA	Kaffé, Kaffé Suede
TUKE58	Molasses, Molasses Suede
TUKMD	Midnight, Midnight Suede, Midnight w/Onyx Glaze, Vintage Midnight
TUKD98	Moonshine, Moonshine Suede, Moonshine w/Cinder Glaze, Moonshine w/Cocoa Glaze, Vintage Moonshine
TUKNA	Natural
TUKON	Onyx, Onyx Suede, Vintage Onyx
TUKPBG	Pebble Grey, Pebble Grey Suede, Pebble Grey w/Cocoa Glaze, Vintage Pebble Grey
TUKPC	Peppercorn, Peppercorn Suede
TUKPR	Praline, Praline Suede, Praline w/Onyx Glaze
TUKSAD	Saddle, Saddle Suede
TUKSL	Slate, Slate Suede
TUKSU	Sunset, Sunset Suede
TUKE65	Surfside, Surfside Suede



- **Cannot** be used to touch up High-Gloss Foil door styles; matte sheen will match box and accessories that are **not** High-Gloss

Touch-Up Pen

TPE06	Aged Concrete
TPE05	Aged Papyrus
TPE07	Aged River Rock
TPAB	Autumn Blush, Autumn Blush Suede, Autumn Blush w/Onyx Glaze
TPD78	Baltic, Baltic Suede
TPE69	Bonsai, Bonsai Suede
TPE67	Burmese, Burmese Suede
TPD81	Cannon Grey, Cannon Grey Suede
TPVG	Canvas w/Cocoa Glaze
TPCV	Canvas, Canvas Suede, Canvas w/Cinder Patina, Vintage Canvas
TPCN	Chestnut, Chestnut Suede, Chestnut w/Onyx Glaze
TPEG	Chocolate w/Ebony Glaze
TPCZ	Chocolate, Chocolate Suede
TPCA	Cinnamon, Cinnamon Suede, Cinnamon w/Onyx Glaze
TPCO	Cognac, Cognac Suede
TPCS	Cream
TPDWCG	Dove White w/Cocoa Glaze
TPWH	Dove White, Dove White Suede, Dove White w/Cinder Glaze, Vintage Dove White, White
TPFN	Fawn, Fawn Suede
TPGN	Ginger, Ginger Suede, Ginger w/Sable Glaze
TPGY	Greyloft, Greyloft Suede, Greyloft w/Sable Glaze, Vintage Greyloft
TPHS	Honey Spice, Honey Spice Suede
TPHK	Husk, Husk Suede
TPD90	Linen, Linen Suede, Linen w/Cinder Glaze, Linen w/Cocoa Glaze, Vintage Linen
TPKA	Kaffé, Kaffé Suede
TPE63	Lagoon, Lagoon Suede
TPD98	Moonshine, Moonshine Suede, Moonshine w/Cinder Glaze, Moonshine w/Cocoa Glaze
TPMD	Midnight, Midnight Suede, Midnight w/Onyx Glaze, Vintage Midnight
TPE58	Molasses, Molasses Suede
TPNA	Natural
TPON	Onyx, Onyx Suede, Vintage Onyx
TPPBG	Pebble Grey, Pebble Grey Suede, Pebble Grey w/Cocoa Glaze, Vintage Pebble Grey
TPPC	Peppercorn, Peppercorn Suede
TPPR	Praline, Praline Suede, Praline w/Onyx Glaze
TPSAD	Saddle, Saddle Suede
TPSL	Slate, Slate Suede
TPSU	Sunset, Sunset Suede
TPE65	Surfside, Surfside Suede



- **Cannot** be used to touch up High-Gloss Foil door styles; matte sheen will match box and accessories that are **not** High-Gloss

Fill Stick

FSE06	Aged Concrete
FSE05	Aged Papyrus
FSE07	Aged River Rock
FSAB	Autumn Blush, Autumn Blush Suede, , Autumn Blush w/Onyx Glaze
FSD78	Baltic, Baltic Suede
FSE69	Bonsai, Bonsai Suede
FSE67	Burmese, Burmese Suede
FSD81	Cannon Grey, Cannon Grey Suede
FSVG	Canvas w/Cocoa Glaze
FSCV	Canvas, Canvas Suede, Canvas w/Cinder Glaze, Vintage Canvas
FSCN	Chestnut, Chestnut Suede, Chestnut w/Onyx Glaze
FSEG	Chocolate w/Ebony Glaze
FSCZ	Chocolate, Chocolate Suede
FSCA	Cinnamon, Cinnamon Suede, Cinnamon w/Onyx Glaze
FSCO	Cognac, Cognac Suede
FSCS	Cream
FSDWCG	Dove White w/Cocoa Glaze
FSWH	Dove White, Dove White Suede, Dove White w/Cinder Glaze, Vintage Dove White, White
FSFN	Fawn, Fawn Suede
FSGN	Ginger, Ginger Suede, Ginger w/Sable Glaze
FSGY	Greyloft, Greyloft Suede, Greyloft w/Sable Glaze, Vintage Greyloft
FSHS	Honey Spice, Honey Spice Suede
FSHK	Husk, Husk Suede
FSINT	Interior
FSKA	Kaffé, Kaffé Suede
FSE63	Lagoon, Lagoon Suede
FSD90	Linen, Linen Suede, Linen w/Cinder Glaze, Linen w/Cocoa Glaze, Vintage Linen
FSMD	Midnight, Midnight Suede, Midnight w/Onyx Glaze, Vintage Midnight
FSE58	Molasses, Molasses Suede
FSD98	Moonshine, Moonshine Suede, Moonshine w/Cinder Glaze, Moonshine w/Cocoa Glaze, Vintage Moonshine
FSNA	Natural
FSON	Onyx, Onyx Suede, Vintage Onyx
FSPBG	Pebble Grey, Pebble Grey Suede, Pebble Grey w/Cocoa Glaze, Vintage Pebble Grey
FSPC	Peppercorn, Peppercorn Suede
FSPR	Praline, Praline Suede, Praline w/Onyx Glaze
FSSAD	Saddle, Saddle Suede
FSSL	Slate, Slate Suede
FSSU	Sunset, Sunset Suede
FSE65	Surfside, Surfside Suede

How to Use This Section

This guide allows you to choose from a complete line of doors and drawer fronts for replacement as well as special applications such as appliance fronts, whirlpool skirts, wainscoting, etc.

This part lists all replacement doors and drawer fronts by their nomenclature. They are sorted by their nominal height (last two numbers of the nomenclature) from largest to smallest.

To choose doors and drawer fronts for special decorative applications, use the Sizes section and look in the appropriate overlay column to determine which doors and drawer fronts are needed. Then look up the door(s) and drawer front(s) in the Price List catalog under the price column number appropriate to your door style.

To find replacement drawer boxes and replacement operational end doors in 2020 go to: Accessories>Replacement Parts>Replacement Part. Right click and select Specs to view.

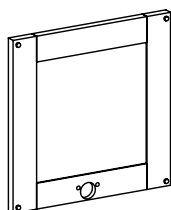
Replacement Door & Drawer Front Information

Replacement doors may be ordered for wall or base application. When ordering, specify door style, hinging and •W (wall) or •B (base). Any arch doors ordered as •B will be shipped in a square design.

Example: You need a replacement door for a wall 1830, hinged left.

Order: RD1830L•W

Replacement doors are prepared for hinges. Replacement door and drawer fronts are automatically drilled for PermaSet bumpers. If a door is specified for no hinge (NH), the door is drilled in all four corners for bumpers (bumpers are included) and will also receive a single cup hinge bore for internal tracking purposes.



Replacement doors with glass inserts or mullion inserts installed are available on doors 12" or wider up to 42" high.

To order, determine the replacement door(s) required and add desired glass insert or mullion insert.

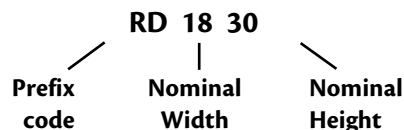
Example: You need a Chateau glass insert for a wall 1830, hinged left.

Order: RD1830L•W-1CHA1
Pricing: RD1830L•W
+ 1 Chateau Insert for 12" - 30" high
= Total for replacement door with insert installed

Example: You need a Mullion insert for a wall 1836, hinged left.

Order: RD1836L•W-1MD2
Pricing: RD1836L•W
+ 1 Mullion Insert for 36" - 42" high
= Total for mullion door with insert installed

Replacement doors and drawer fronts are coded for easy reference. The prefix codes indicate door or drawer and usage. The first two digits indicate nominal width and the second two digits indicate nominal height.



Prefix codes are as follows:

RD	replacement door
RDA	replacement door angle
RDAAG	replacement door angle appliance garage
RDADP	replacement door angle double panel
RDAG	replacement door appliance garage
RDB	replacement door butt
RDBDP	replacement door butt double panel
RDBI	replacement door base inside angle
RDBO	replacement door base outside angle
RDDEZR*	replacement door desk easy reach (two doors hinged together)
RDDP	replacement door double panel
RDE	replacement door operational end
RDEZR*	replacement door easy reach (two doors hinged together)
RDLS	replacement door lazy susan (two doors mitered together)
RDM	replacement door multi-storage pantry (door storage unit attached)
RDMC	replacement door mirror cabinet
RDW	replacement drawer front
RDWA	replacement drawer front angle
RDWBCD	replacement drawer front base corner drawer
RDWEZR*	replacement door wall easy reach (two doors hinged)
RDWFD	replacement door wall furniture drawer
RDWI	replacement door wall inside angle
RDWLBF	replacement door wall lateral bifold cabinet
RDWO	replacement door wall outside angle
RDWTHG	replacement door wall top hinge
RDWWHV	replacement drawer front wall hung vanity
RDWZ*	replacement door wall easy reach (individual doors)
RDZ*	replacement door easy reach (individual doors)

PART	1/2" Overlay	Full Overlay
RDB3367•B	15 7/16 x 26 1/2	16 1/4 x 25 7/8
RDB2467•B	10 15/16 x 26 1/2	11 3/4 x 25 7/8
RD3667•B	16 15/16 x 26 1/2	17 3/4 x 25 7/8
RD3367•B	14 1/2 x 26 1/2	N/A
RD3067•B	13 15/16 x 26 1/2	14 3/4 x 25 7/8
RD2767•B	12 7/16 x 26 1/2	13 1/4 x 25 7/8
RD2467•B	22 x 26 1/2	23 5/8 x 25 7/8
RD2167•B	19 x 26 1/2	20 5/8 x 25 7/8
RD1867•B	16 x 26 1/2	17 5/8 x 25 7/8
RD1567•B	13 x 26 1/2	14 5/8 x 25 7/8
RD1267•B	10 x 26 1/2	11 5/8 x 25 7/8
RD0967•B	7 x 26 1/2	8 5/8 x 25 7/8
RDB3366•B	15 7/16 x 26	16 1/4 x 25 5/8
RDB2466•B	10 15/16 x 26	11 3/4 x 25 5/8
RD3666•B	16 15/16 x 26	17 3/4 x 25 5/8
RD3366•B	14 1/2 x 26	N/A
RD3066•B	13 15/16 x 26	14 3/4 x 25 5/8
RD2766•B	12 7/16 x 26	13 1/4 x 25 5/8
RD2466•B	22 x 26	23 5/8 x 25 5/8
RD2166•B	19 x 26	20 5/8 x 25 5/8
RD1866•B	16 x 26	17 5/8 x 25 5/8
RD1566•B	13 x 26	14 5/8 x 25 5/8
RD1266•B	10 x 26	11 5/8 x 25 5/8
RD0966•B	7 x 26	8 5/8 x 25 5/8
RDE2464•B or •W	21 x 22	22 5/8 x 23 5/8
RDE1264•B or •W	9 x 22	10 5/8 x 23 5/8
RDB3364•B or •W	15 7/16 x 22	16 1/4 x 23 5/8
RDB2464•B or •W	10 15/16 x 22	11 3/4 x 23 5/8
RD3664•B or •W	16 15/16 x 22	17 3/4 x 23 5/8
RD3064•B or •W	13 15/16 x 22	14 3/4 x 23 5/8
RD2764•B or •W	12 7/16 x 22	13 1/4 x 23 5/8
RD2464•B or •W	22 x 22	23 5/8 x 23 5/8
RD2164•B or •W	19 x 22	20 5/8 x 23 5/8
RD1864•B or •W	16 x 22	17 5/8 x 23 5/8
RD1564•B or •W	13 x 22	14 5/8 x 23 5/8
RD1264•B or •W	10 x 22	11 5/8 x 23 5/8
RDB3362•B	15 7/16 x 60 1/2	16 1/4 x 61 1/8
RDB2462•B	10 15/16 x 60 1/2	11 3/4 x 61 1/8
RD3662•B	16 15/16 x 60 1/2	17 3/4 x 61 1/8
RD3062•B	13 15/16 x 60 1/2	14 3/4 x 61 1/8
RD2762•B	12 7/16 x 60 1/2	13 1/4 x 61 1/8
RD2462•B	22 x 60 1/2	23 5/8 x 61 1/8
RD2162•B	19 x 60 1/2	20 5/8 x 61 1/8
RD1862•B	16 x 60 1/2	17 5/8 x 61 1/8
RD1562•B	13 x 60 1/2	14 5/8 x 61 1/8
RD1262•B	10 x 60 1/2	11 5/8 x 61 1/8
RDB2458•B or •W	10 29/32 x 56 1/2	11 3/4 x 58 1/8
RD2458•B or •W	22 x 56 1/2	23 5/8 x 58 1/8
RD1858•B or •W	16 x 56 1/2	17 5/8 x 58 1/8
RDM3656•B	16 29/32 x 55	17 3/4 x 55 5/8
RDM2456•B	22 x 55	23 5/8 x 55 5/8
RDM1856•B	N/A	17 5/8 x 55 5/8
RDE2456•B	21 x 55	22 5/8 x 55 5/8
RDB3356•B	15 7/16 x 55	16 1/4 x 55 5/8

PART	1/2" Overlay	Full Overlay
RDB2456•B or •W	10 29/32 x 55	11 3/4 x 55 5/8
RDA2456•B or •W	14 1/2 x 55	14 5/8 x 55 5/8
RD3656•B	16 29/32 x 55	17 3/4 x 55 5/8
RD3356•B	14 1/2 x 55	16 1/8 x 55 5/8
RD3056•B	13 29/32 x 55	14 3/4 x 55 5/8
RD2756•B	12 7/16 x 55	13 1/4 x 55 5/8
RD2456•B or •W	22 x 55	23 5/8 x 55 5/8
RD2156•B	19 x 55	20 5/8 x 55 5/8
RD1856•B or •W	16 x 55	17 5/8 x 55 5/8
RD1556•B	13 x 55	14 5/8 x 55 5/8
RD1256•B	10 x 55	11 5/8 x 55 5/8
RD0956•B	7 x 55	8 5/8 x 55 5/8
RDB3354•B or •W	N/A	16 1/4 x 53 5/8
RDB2454•B or •W	N/A	11 3/4 x 53 5/8
RDA2454•B or •W	N/A	14 5/8 x 53 5/8
RDA2154•B or •W	10 1/2 x 52	N/A
RD3654•B or •W	N/A	17 3/4 x 53 5/8
RD3354•B or •W	N/A	16 1/8 x 53 5/8
RD3054•B or •W	N/A	14 3/4 x 53 5/8
RD2754•B or •W	N/A	13 1/4 x 53 5/8
RD2454•B or •W	N/A	23 5/8 x 53 5/8
RD2154•B or •W	19 x 52	20 5/8 x 53 5/8
RD1854•B or •W	16 x 52	17 5/8 x 53 5/8
RD1554•B or •W	13 x 52	14 5/8 x 53 5/8
RD1254•B or •W	N/A	11 5/8 x 53 5/8
RD0954•B or •W	N/A	8 5/8 x 53 5/8
RD2152•B or •W	N/A	20 5/8 x 51 5/8
RDA2147•B or •W	10 5/8 x 47 5/8	N/A
RDB3347•B or •W	N/A	16 1/4 x 47 5/8
RDB2447•B or •W	N/A	11 3/4 x 47 5/8
RDA2447•B or •W	N/A	14 5/8 x 47 5/8
RD3647•B or •W	N/A	17 3/4 x 47 5/8
RD3347•B or •W	N/A	16 1/8 x 47 5/8
RD3047•B or •W	N/A	14 3/4 x 47 5/8
RD2747•B or •W	N/A	13 1/4 x 47 5/8
RD2447•B or •W	N/A	23 5/8 x 47 5/8
RD2147•B or •W	N/A	20 5/8 x 47 5/8
RD1847•B or •W	N/A	17 5/8 x 47 5/8
RD1547•B or •W	N/A	14 5/8 x 47 5/8
RD1247•B or •W	N/A	11 5/8 x 47 5/8
RD0947•B or •W	N/A	8 5/8 x 47 5/8
RDWOAC42	8 13/16 x 40	10 5/8 x 41 5/8
RDWIAC42	14 1/16 x 40	14 7/8 x 41 5/8
RDWEZR2442*	10 1/8 x 40	10 15/16 x 41 5/8
RDWEZR242142*	10 1/8 x 40	10 15/16 x 41 5/8
	7 1/8 x 40	7 15/16 x 41 5/8
RDWEZR2142*	7 1/8 x 40	7 15/16 x 41 5/8
RDWEZR212442*	7 1/8 x 40	7 15/16 x 41 5/8
	10 1/8 x 40	10 15/16 x 41 5/8
RDE1242•B or •W	9 x 40	10 5/8 x 41 5/8
RDB3342•B or •W	15 7/16 x 40	16 1/4 x 41 5/8
RDB2442•B or •W	10 29/32 x 40	11 3/4 x 41 5/8
RDA2442•B or •W	14 1/2 x 40	14 5/8 x 41 5/8
RDA2142•B or •W	10 1/2 x 40	N/A
RD4542•B or •W	20 1/2 x 40	21 1/8 x 41 5/8

PART	1/2" Overlay	Full Overlay
RD3942•B or •W	17 1/2 x 40	19 1/8 x 41 5/8
RD3642•B or •W	16 15/16 x 40	17 3/4 x 41 5/8
RD3342•B or •W	14 1/2 x 40	16 1/8 x 41 5/8
RD3042•B or •W	13 15/16 x 40	14 3/4 x 41 5/8
RD2742•B or •W	12 7/16 x 40	13 1/4 x 41 5/8
RD1842•B or •W	16 x 40	17 5/8 x 41 5/8
RD1542•B or •W	13 x 40	14 5/8 x 41 5/8
RD1242•B or •W	10 x 40	11 5/8 x 41 5/8
RD0942•B or •W	7 x 40	8 5/8 x 41 5/8
*Includes 2 doors hinged together — size listed is for one door		
RDWOAC39	8 13/16 x 37	10 5/8 x 38 5/8
RDWIAC39	14 1/16 x 37	14 7/8 x 38 5/8
RDWEZR2439*	10 1/8 x 37	10 15/16 x 38 5/8
RDWEZR242139*	10 1/8 x 37	10 15/16 x 38 5/8
	7 1/8 x 37	7 15/16 x 38 5/8
RDWEZR2139*	7 1/8 x 37	7 15/16 x 38 5/8
RDWEZR212439*	7 1/8 x 37	7 15/16 x 38 5/8
	10 1/8 x 37	10 15/16 x 38 5/8
RDE1239•B or •W	9 x 37	10 5/8 x 38 5/8
RDB3339•B or •W	15 7/16 x 37	16 1/4 x 38 5/8
RDB2439•B or •W	10 15/16 X 37	11 3/4 X 38 5/8
RDA2439•B or •W	14 1/2 x 37	14 5/8 x 38 5/8
RDA2139•B or •W	10 1/2 x 37	N/A
RD4539•B or •W	20 1/2 x 37	21 1/8 x 38 5/8
RD3939•B or •W	17 1/2 x 37	19 1/8 x 38 5/8
RD3639•B or •W	16 29/32 x 37	17 3/4 x 38 5/8
RD3339•B or •W	14 1/2 x 37	16 1/8 x 38 5/8
RD3039•B or •W	13 29/32 x 37	14 3/4 x 38 5/8
RD2739•B or •W	12 7/16 x 37	13 1/4 x 38 5/8
RD1839•B or •W	16 x 37	17 5/8 x 38 5/8
RD1539•B or •W	13 x 37	14 5/8 x 38 5/8
RD1239•B or •W	10 x 37	11 5/8 x 38 5/8
RD0939•B or •W	7 x 37	8 5/8 x 38 5/8
*Includes 2 doors hinged together — size listed is for one door		
RDWOAC36	8 13/16 x 34	10 5/8 x 35 5/8
RDWLB3636	N/A	35 5/8 x 17 3/4
RDWLB3036	N/A	29 5/8 x 17 3/4
RDWLB2436	N/A	23 5/8 x 17 3/4
RDWIAC36	14 1/16 x 34	14 7/8 x 35 5/8
RDWHB3636	35 5/8 x 35 5/8	35 5/8 x 35 5/8
RDWHB3036	29 5/8 X 35 5/8	29 5/8 X 35 5/8
RDWHB1836	18 x 35 5/8	18 x 35 5/8
RDWHB1236	11 5/8 x 35 5/8	11 5/8 x 35 5/8
RDWEZR2436*	10 1/8 x 34	10 15/16 x 35 5/8
RDWEZR242136*	10 1/8 x 34	10 15/16 x 35 5/8
	7 1/8 x 34	7 15/16 x 35 5/8
RDWEZR2136*	7 1/8 x 34	7 15/16 x 35 5/8
RDE2436•B or •W	21 x 34	22 5/8 x 35 5/8
RDE1236•B or •W	9 x 34	10 5/8 x 35 5/8
RDB3336•B or •W	15 7/16 x 34	16 1/4 x 35 5/8
RDB2436•B or •W	10 29/32 x 34	11 3/4 x 35 5/8
RDA2436•B or •W	14 1/2 x 34	14 5/8 x 35 5/8
RDA2136•B or •W	10 1/2 x 34	N/A
RD4536•B or •W	20 1/2 x 34	22 1/8 x 35 5/8
RD3936•B or •W	17 1/2 x 34	19 1/8 x 35 5/8
RD3636•B or •W	16 23/32 x 34	17 3/4 x 35 5/8
RD3336•B or •W	14 1/2 x 34	16 1/8 x 35 5/8

PART	1/2" Overlay	Full Overlay
RD3036•B or •W	13 15/16 x 34	14 3/4 x 35 5/8
RD2736•B or •W	12 7/16 x 34	13 1/4 x 35 5/8
RD2436•B or •W	22 x 34	23 5/8 x 35 5/8
RD2136•B or •W	19 x 34	20 5/8 x 35 5/8
RD1836•B or •W	16 x 34	17 5/8 x 35 5/8
RD1536•B or •W	13 x 34	14 5/8 x 35 5/8
RD1236•B or •W	10 x 34	11 5/8 x 35 5/8
RD0936•B or •W	7 x 34	8 5/8 x 35 5/8
*Includes 2 doors hinged together — size listed is for one door		
RDE2433•B or •W	21 x 31	22 5/8 x 32 1/8
RDB3333•B or •W	15 7/16 x 31	16 1/4 x 32 1/8
RDB2433•B	10 15/16 x 31	11 3/4 x 32 1/8
RDA2433•B or •W	14 1/2 x 31	14 5/8 x 32 1/8
RD3633•B or •W	16 15/16 x 31	17 3/4 x 32 1/8
RD3333•B or •W	14 1/2 x 31	16 1/8 x 32 1/8
RD3033•B or •W	13 29/32 x 31	14 3/4 x 32 1/8
RD2733•B or •W	12 7/16 x 31	13 1/4 x 32 1/8
RD2433•B or •W	22 x 31	23 5/8 x 32 1/8
RD2133•B or •W	19 x 31	20 5/8 x 32 1/8
RD1833•B or •W	16 x 31	17 5/8 x 32 1/8
RD1533•B or •W	13 x 31	14 5/8 x 32 1/8
RD1233•B or •W	10 x 31	11 5/8 x 32 1/8
RD0933•B or •W	7 x 31	8 5/8 x 32 1/8
RDWOAC32	8 13/16 x 31	10 5/8 x 32 5/8
RDWIAC32	14 1/16 x 31	14 7/8 x 32 5/8
RDWEZR2432*	10 1/8 x 31	10 15/16 x 32 5/8
RDWEZR242132*	7 1/8 x 31	7 15/16 x 32 5/8
	10 1/8 x 31	10 15/16 x 32 5/8
RDWEZR2132*	7 1/8 x 31	7 15/16 x 32 5/8
RDWEZR212432*	10 1/8 x 31	10 15/16 x 32 5/8
	7 1/8 x 31	7 15/16 x 32 5/8
RDE1232•B or •W	9 x 31	10 5/8 x 32 5/8
RDB3332•B or •W	15 7/16 x 31	16 1/4 x 32 5/8
RDB2432•B	10 15/16 x 31	11 3/4 x 32 5/8
RDA2432•B or •W	14 1/2 x 31	14 5/8 x 32 1/8
RDA2132•B or •W	10 1/2 x 31	N/A
RD4532•B or •W	20 1/2 x 31	22 1/8 x 32 5/8
RD3932•B or •W	17 1/2 x 31	19 1/8 x 32 5/8
RD3632•B or •W	16 15/16 x 31	17 3/4 x 32 5/8
RD3332•B or •W	14 1/2 x 31	16 1/8 x 32 5/8
RD3032•B or •W	13 15/16 x 31	14 3/4 x 32 5/8
RD2732•B or •W	12 7/16 x 31	13 1/4 x 32 5/8
RD1832•B or •W	16 x 31	17 5/8 x 32 5/8
RD1532•B or •W	13 x 31	14 5/8 x 32 5/8
RD1232•B or •W	10 x 31	11 5/8 x 32 5/8
RD0932•B or •W	7 x 31	8 5/8 x 32 5/8
*Includes 2 doors hinged together — size listed is for one door		
RDZ3630•B or •W	10 1/8 x 28	10 15/16 x 29 5/8
RDZ3330•B or •W	7 1/8 x 28	7 15/16 x 29 5/8
RDWOAC30	8 13/16 x 28	10 5/8 x 29 5/8
RDWLBFB3630	N/A	35 5/8 x 14 3/4
RDWLBFB3030	N/A	29 5/8 x 14 3/4
RDWLBFB2430	N/A	23 5/8 x 14 3/4
RDWIAC30	14 1/16 x 28	14 7/8 x 29 5/8
RDWHB3630	35 5/8 x 29 5/8	35 5/8 x 29 5/8
RDWHB3030	29 5/8 X 29 5/8	29 5/8 X 29 5/8

PART	1/2" Overlay	Full Overlay
RDWHB1830	18 x 29 5/8	18 x 29 5/8
RDWHB1230	11 5/8 x 29 5/8	11 5/8 x 29 5/8
RDWEZR2430*	10 1/8 x 28	10 15/16 x 29 5/8
RDWEZR242130*	7 1/8 x 28	7 15/16 x 29 5/8
	10 1/8 x 28	10 15/16 x 29 5/8
RDWEZR2130*	7 1/8 x 28	7 15/16 x 29 5/8
RDWEZR212430*	7 1/8 x 28	7 15/16 x 29 5/8
	10 1/8 x 28	10 15/16 x 29 5/8
RDMC2430•B	22 x 28	23 5/8 x 29 5/8
RDM3630•B or •W	16 29/32 x 28	17 3/4 x 29 5/8
RDE2430•B	21 x 28	22 5/8 x 29 5/8
RDE2430•B or •W	21 x 28	22 5/8 x 29 5/8
RDE1230•B or •W	9 x 28	10 5/8 x 29 5/8
RDBOAC30•B	13 13/16 x 28	15 5/8 x 29 5/8
RDBIAC30•B	9 1/16 x 28	9 7/8 x 29 5/8
RDB3730•W	17 7/16 x 28	18 1/4 x 29 5/8
RDB3430•W	15 15/16 x 28	16 3/4 x 29 5/8
RDB3330•B or •W	15 7/16 x 28	16 1/4 x 29 5/8
RDB2430•B or •W	10 29/32 x 28	11 3/4 x 29 5/8
RDA2430•B or •W	14 1/2 x 28	14 5/8 x 29 5/8
RDA2130•B or •W	10 1/2 x 28	N/A
RD4530•B or •W	20 1/2 x 28	22 1/8 x 29 5/8
RD4230•B or •W	19 29/32 x 28	20 3/4 x 29 5/8
RD3930•B or •W	17 1/2 x 28	19 1/8 x 29 5/8
RD3630•B or •W	16 29/32 x 28	17 3/4 x 29 5/8
RD3330•B or •W	14 1/2 x 28	16 1/8 x 29 5/8
RD3130•B or •W	14 11/16 x 28	15 1/2 x 29 5/8
RD3030•B or •W	13 29/32 x 28	14 3/4 x 29 5/8
RD2730•B or •W	12 7/16 x 28	13 1/4 x 29 5/8
RD2430•B or •W	22 x 28	23 5/8 x 29 5/8
RD2130•B or •W	19 x 28	20 5/8 x 29 5/8
RD1830•B or •W	16 x 28	17 5/8 x 29 5/8
RD1530•B or •W	13 x 28	14 5/8 x 29 5/8
RD1230•B or •W	10 x 28	11 5/8 x 29 5/8
RD0930•B or •W	7 x 28	8 5/8 x 29 5/8
RD0630•B	4 x 28	5 5/8 x 29 5/8
*Includes 2 doors hinged together — size listed is for one door		
RDM1827•B or •W	16 X 25	17 5/8 X 26 5/8
RDE2427•B or •W	21 x 25	22 5/8 x 26 5/8
RDB3727•W	17 7/16 x 25	18 1/4 x 26 5/8
RDB3427•W	15 15/16 x 25	16 3/4 x 26 5/8
RDB3327•B or •W	15 7/16 x 25	16 1/4 x 26 5/8
RDA2427•B or •W	13 x 25	14 5/8 x 26 5/8
RD3927•B or •W	17 1/2 x 25	19 1/8 x 26 5/8
RD3627•B or •W	16 29/32 x 25	17 3/4 x 26 5/8
RD3327•B or •W	14 1/2 x 25	16 1/8 x 26 5/8
RD3127•B or •W	14 11/16 x 25	15 1/2 x 26 5/8
RD3027•B or •W	13 29/32 x 25	14 3/4 x 26 5/8
RD2727•B or •W	12 7/16 x 25	13 1/4 x 26 5/8
RD2427•B or •W	22 x 25	23 5/8 x 26 5/8
RD2127•B or •W	19 x 25	20 5/8 x 26 5/8
RD1827•B or •W	16 X 25	17 5/8 x 26 5/8
RD1727•B***	17 x 27 1/2	17 x 27 1/2
RD1227•B or •W	10 x 25	11 5/8 x 26 5/8
RD0927•B or •W	7 x 25	8 5/8 x 26 5/8
***Frame with mirror only		
RDZ3326•B	7 1/8 x 22 1/2	7 15/16 x 24 1/8

PART	1/2" Overlay	Full Overlay
RD1826•B	16 x 22 1/2	17 5/8 x 24 1/8
RD1526•B	13 x 22 1/2	14 5/8 x 24 1/8
RD1226•B	10 x 22 1/2	11 5/8 x 24 1/8
RDWTHG3624	34 x 21 1/2	35 5/8 x 23 1/8
RDWTHG3024	28 x 21 1/2	29 5/8 x 23 1/8
RDWTHG2424	22 x 21 1/2	23 5/8 x 23 1/8
RDWTHG1524	13 x 21 1/2	14 5/8 x 23 1/8
RDWHB3624	35 5/8 x 23 1/8	35 5/8 x 23 1/8
RDWHB3024	29 5/8 X 17 5/8	29 5/8 X 17 5/8
RDWHB1824	18 X 23 1/8	18 X 23 1/8
RDWHB1224	11 5/8 X 23 1/8	11 5/8 X 23 1/8
RDLS3624•B	10 11/16 x 20 1/8	N/A
RDE2424•B or •W	21 x 21 1/2	22 5/8 x 23 1/8
RDB4224•B	19 15/16 x 21 1/2	20 3/4 x 23 1/8
RDB3924•B	18 7/16 x 21 1/2	19 1/4 x 23 1/8
RDB3724•W	17 7/16 x 21 1/2	18 1/4 x 23 1/8
RDB3424•W	15 15/16 x 21 1/2	16 3/4 x 23 1/8
RDB3324•B or •W	15 7/16 x 21 1/2	16 1/4 x 23 1/8
RDB2424•B or •W	10 29/32 x 21 1/2	11 3/4 x 23 1/8
RDA2424•B or •W	14 1/2 x 21 1/2	14 5/8 x 23 1/8
RDA2124•B or •W	10 1/2 x 21 1/2	N/A
RD4524•B or •W	20 1/2 x 21 1/2	22 1/8 x 23 1/8
RD3924•B or •W	17 1/2 x 21 1/2	19 1/8 x 23 1/8
RD3624•B or •W	16 29/32 x 21 1/2	17 3/4 x 23 1/8
RD3324•B or •W	14 1/2 x 21 1/2	16 1/8 x 23 1/8
RD3124•B	14 11/16 x 21 1/2	15 1/2 x 23 1/8
RD3124•B or •W	14 11/16 x 21 1/2	15 1/2 x 23 1/8
RD3024•B or •W	13 29/32 x 21 1/2	14 3/4 x 23 1/8
RD2724•B or •W	12 7/16 x 21 1/2	13 1/4 x 23 1/8
RD2424•B or •W	22 x 21 1/2	23 5/8 x 23 1/8
RD2124•B or •W	19 x 21 1/2	20 5/8 x 23 1/8
RD1824•B or •W	16 x 21 1/2	17 5/8 x 23 1/8
RD1524•B or •W	13 x 21 1/2	14 5/8 x 23 1/8
RD1224•B or •W	10 x 21 1/2	11 5/8 x 23 1/8
RD0924•B or •W	7 x 21 1/2	8 5/8 x 23 1/8
RDWTHG3622	35 x 19	36 5/8 x 20 5/8
RDWTHG3022	28 x 19	29 5/8 x 20 5/8
RDB4222•B	19 15/16 x 19	20 3/4 x 20 5/8
RDB3922•B	18 7/16 x 19	19 1/4 x 20 5/8
RDB3722•W	17 7/16 x 19	18 1/4 x 20 5/8
RDB3422•W	15 15/16 x 19	16 3/4 x 20 5/8
RDB2422•B or •W	10 15/16 x 19	11 3/4 x 20 5/8
RD3922•B or •W	17 1/2 x 19	19 1/8 x 20 5/8
RD3622•B or •W	16 29/32 x 19	17 3/4 x 20 5/8
RD3322•B or •W	14 1/2 x 19	16 1/8 x 20 5/8
RD3122•B or •W	14 11/16 x 19	15 1/2 x 20 5/8
RD3022•B or •W	13 29/32 x 19	14 3/4 x 20 5/8
RD2722•B or •W	12 7/16 x 19	13 1/4 x 20 5/8
RD2122•B or •W	19 x 19	20 5/8 x 20 5/8
RD1822•B or •W	16 x 19	17 5/8 x 20 5/8
RD1522•B or •W	13 x 19	14 5/8 x 20 5/8
RD1222•B or •W	10 x 19	11 5/8 x 20 5/8
RDB3321•B	15 7/16 x 18 1/2	16 1/4 x 20 1/8
RDB2421•B	10 15/16 x 18 1/2	11 3/4 x 20 1/8
RD3921•B	17 1/2 x 18 1/2	19 1/8 x 20 1/8
RD3621•B	16 15/16 x 18 1/2	17 3/4 x 20 1/8

PART	1/2" Overlay	Full Overlay
RD3021•B	13 15/16 X 18 1/2	14 3/4 x 20 1/8
RD2721•B	12 7/16 x 18 1/2	13 1/4 x 20 1/8
RD2421•B	22 x 18 1/2	23 5/8 x 20 1/8
RD2121•B	19 x 18 1/2	20 5/8 x 20 1/8
RD1821•B	16 x 18 1/2	17 5/8 x 20 1/8
RD1521•B	13 x 18 1/2	14 5/8 x 20 1/8
RD1221•B or •W	10 x 18 1/2	11 5/8 x 20 1/8
RDWTHG3618	34 x 16	35 5/8 x 17 5/8
RDWTHG3018	28 x 16	29 5/8 x 17 5/8
RDWTHG2418	22 x 16	23 5/8 x 17 5/8
RDWTHG1518	13 x 16	14 5/8 x 17 5/8
RDWHB3618	35 5/8 X 17 5/8	35 5/8 X 17 5/8
RDWHB3018	29 5/8 X 17 5/8	29 5/8 X 17 5/8
RDWHB1818	18 X 17 5/8	18 X 17 5/8
RDWHB1218	11 5/8 X 17 5/8	11 5/8 X 17 5/8
RDB4818•B	22 15/16 x 16	23 3/4 x 17 5/8
RDB4518•B	21 7/16 x 16	22 1/4 x 17 5/8
RDB4218•B	19 15/16 x 16	20 3/4 x 17 5/8
RDB3918•B	18 7/16 x 16	19 1/4 x 17 5/8
RDB3718•B	17 7/16 x 16	18 1/4 x 17 5/8
RDB3418•W	15 15/16 X 16	16 3/4 X 17 5/8
RDB3318•B or •W	15 7/16 x 16	16 1/4 x 17 5/8
RDB2418•B or •W	10 29/32 x 16	11 3/4 x 17 5/8
RDAG3618•B	34 x 18	35 5/8 x 17 5/8
RDAG3018•B	28 x 18	29 5/8 x 17 5/8
RDAG2418•B	22 x 18	23 5/8 x 17 5/8
RDAG1818•B	16 x 18	17 5/8 x 17 5/8
RDAAG2418•B	14 1/2 x 18	14 5/8 x 17 5/8
RDA2418•B or •W	14 1/2 x 16	14 5/8 x 17 5/8
RDA2118•B or •W	10 1/2 x 16	N/A
RD4318•W	19 1/2 x 16	21 1/8 x 17 5/8
RD3918•B or •W	17 1/2 x 16	19 1/8 x 17 5/8
RD3618•B or •W	16 29/32 x 16	17 3/4 x 17 5/8
RD3318•B or •W	14 1/2 x 16	16 1/8 x 17 5/8
RD3118•B or •W	14 11/16 x 16	15 1/2 x 17 5/8
RD3018•B or •W	13 29/32 x 16	14 3/4 x 17 5/8
RD2718•B or •W	12 7/16 x 16	13 1/4 x 17 5/8
RD2418•B or •W	22 x 16	23 5/8 x 17 5/8
RD2118•B or •W	19 x 16	20 5/8 x 17 5/8
RD1818•B or •W	16 x 16	17 5/8 x 17 5/8
RD1518•B or •W	13 x 16	14 5/8 x 17 5/8
RD1218•B or •W	10 x 16	11 5/8 x 17 5/8
RD0918•B or •W	7 x 16	8 5/8 x 17 5/8
RDWBCD3616	13 x 11 5/8	14 5/8 x 11 5/8
RD1516•B	13 x 15 1/2	14 5/8 x 16 5/8
RDWTHG3615	34 x 13	35 5/8 x 14 5/8
RDWTHG3015	28 x 13	29 5/8 x 14 5/8
RDWTHG2415	22 x 13	23 5/8 x 14 5/8
RDWTHG1515	13 x 13	14 5/8 x 14 5/8
RDWBCD3615	10 3/8 x 11 5/8	11 3/8 x 11 5/8
RDB3715•W	17 7/16 x 13	18 1/4 x 14 5/8
RDB3415•W	15 15/16 x 13	16 3/4 x 14 5/8
RDB3315•B or •W	15 7/16 x 13	16 1/4 x 14 5/8
RDB2415•B or •W	10 29/32 x 13	11 3/4 x 14 5/8
RDA2415•B or •W	14 1/2 x 13	14 5/8 x 14 5/8
RDA2115•B or •W	10 1/2 x 13	N/A
RD4315•W	19 1/2 x 13	21 1/8 x 14 5/8

PART	1/2" Overlay	Full Overlay
RD3915•B or •W	17 1/2 x 13	19 1/8 x 14 5/8
RD3615•B or •W	16 29/32 x 13	17 3/4 x 14 5/8
RD3315•B or •W	14 1/2 x 13	16 1/8 x 14 5/8
RD3115•B or •W	14 11/16 x 13	15 1/2 x 14 5/8
RD3015•B or •W	13 29/32 x 13	14 3/4 x 14 5/8
RD2715•B or •W	12 7/16 x 13	13 1/4 x 14 5/8
RD2115•B or •W	19 x 13	20 5/8 x 14 5/8
RD1815•B or •W	16 x 13	17 5/8 x 14 5/8
RD1515•B or •W	13 x 13	14 5/8 x 14 5/8
RD1215•B or •W	10 x 13	11 5/8 x 14 5/8
RDWBCD3614	10 3/8 x 11 5/8	11 3/8 x 11 5/8
RDWTHG3612	34 x 10	35 5/8 x 11 5/8
RDWTHG3012	28 x 10	29 5/8 x 11 5/8
RDWTHG2412	22 x 10	23 5/8 x 11 5/8
RDWTHG1512	13 x 10	14 5/8 x 11 5/8
RDB3712•W	17 7/16 x 10	18 1/4 x 11 5/8
RDB3412•B or •W	15 15/16 x 10	16 3/4 x 11 5/8
RDB3312•B or •W	15 7/16 x 10	16 1/4 x 11 5/8
RDB2412•B or •W	10 29/32 x 10	11 3/4 x 11 5/8
RDA2412•B or •W	14 1/2 x 10	14 5/8 x 11 5/8
RDA2112•B or •W	10 1/2 x 10	N/A
RD4312•B or •W	19 1/2 x 10	21 1/8 x 11 5/8
RD3912•B or •W	17 1/2 x 10	19 1/8 x 11 5/8
RD3612•B or •W	16 29/32 x 10	17 3/4 x 11 5/8
RD3312•B or •W	14 1/2 x 10	16 1/8 x 11 5/8
RD3112•B or •W	14 11/16 x 10	15 1/2 x 11 5/8
RD3012•B or •W	13 29/32 x 10	14 3/4 x 11 5/8
RD2712•B or •W	12 7/16 x 10	13 1/4 x 11 5/8
RD2112•B or •W	19 x 10	20 5/8 x 11 5/8
RD1812•B or •W	16 x 10	17 5/8 x 11 5/8
RD1512•B or •W	13 x 10	14 5/8 x 11 5/8
RD1212•B or •W	10 x 10	11 5/8 x 11 5/8
RD0912•B or •W	N/A	8 5/8 X 11 5/8
RDWWHV3609	9 x 34	9 7/8 x 35 5/8
RDWWHV3009	9 x 28	9 7/8 x 29 5/8
RDWWHV1209	9 x 10	9 7/8 x 11 5/8
RDWBCD3606	5 3/4 x 11 5/8	6 1/8 x 11 5/8
RDWFD2705	N/A	5 5/8 x 26 5/8
RDWFD2405	N/A	5 5/8 x 23 5/8
RDWFD2105	N/A	5 5/8 x 20 5/8
RDWFD1805	N/A	5 5/8 x 17 5/8
RDWFD1505	N/A	5 5/8 x 14 5/8
RDEZR3633•B*	10 1/8 x 28	10 15/16 x 29 5/8
	7 1/8 x 28	7 15/16 x 29 5/8
RDEZR36•B*	10 1/8 x 28	10 15/16 x 29 5/8
RDEZR3336•B*	7 1/8 x 28	7 15/16 x 29 5/8
	10 1/8 x 28	10 15/16 x 29 5/8
RDEZR33•B*	7 1/8 x 28	7 15/16 x 29 5/8
RDDEZR27•B*	7 1/8 x 22 1/2	7 15/16 x 24 1/8
*Includes 2 doors hinged together — size listed is for one door		
RDW4216	13 x 40	14 5/8 x 41 5/8
RDW3616	13 x 34	14 5/8 x 35 5/8

PART	1/2" Overlay	Full Overlay
RDW3316	N/A	14 5/8 x 32 5/8
RDW3016	13 x 28	14 5/8 x 29 5/8
RDW2716	13 x 25	14 5/8 x 26 5/8
RDW2416	13 x 22	14 5/8 x 23 5/8
RDW2116	13 x 19	14 5/8 x 20 5/8
RDW1816	13 x 16	14 5/8 x 17 5/8
RDW1516	13 x 13	14 5/8 x 14 5/8
RDW1216	13 x 10	11 5/8 x 14 5/8
RDW4215	N/A	11 3/8 x 41 5/8
RDW3915	N/A	11 3/8 x 38 5/8
RDW3615	N/A	11 3/8 x 35 5/8
RDW3315	N/A	11 3/8 x 32 5/8
RDW3115	N/A	11 3/8 x 31 1/8
RDW3015	N/A	11 3/8 x 29 5/8
RDW2715	N/A	11 3/8 x 26 5/8
RDW2415	N/A	11 3/8 x 23 5/8
RDW2115	N/A	11 3/8 x 20 5/8
RDW1815	N/A	11 3/8 x 17 5/8
RDW1515	N/A	11 3/8 x 14 5/8
RDW1215	N/A	11 3/8 x 11 5/8
RDW4214	10 3/8 x 37	N/A
RDW3914	10 3/8 x 37	N/A
RDW3614	10 3/8 x 34	N/A
RDW3314	10 3/8 x 31	N/A
RDW3114	10 3/8 x 29 1/2	N/A
RDW3014	10 3/8 x 28	N/A
RDW2714	10 3/8 x 25	N/A
RDW2414	10 3/8 x 22	N/A
RDW2114	10 3/8 x 19	N/A
RDW1814	10 3/8 x 16	N/A
RDW1514	10 3/8 x 13	N/A
RDW1214	10 3/8 x 10	N/A
RDW2413	N/A	11 1/8 x 23 5/8
RDW2113	N/A	11 1/8 x 20 5/8
RDW1813	9 1/8 x 16	11 1/8 x 17 5/8
RDW1513	9 1/8 x 13	11 1/8 x 14 5/8
RDW1213	9 1/8 x 10	11 1/8 x 11 5/8
RDW3012	11 3/16 x 28	12 x 29 5/8
RDW2412	11 3/16 x 22	12 x 23 5/8
RDW1812	11 3/16 x 16	12 x 17 5/8
RDW3611	8 3/4 x 34	10 5/8 x 35 5/8
RDW3311	8 3/4 x 31	10 5/8 x 32 5/8
RDW3111	8 3/4 x 29 1/2	10 5/8 x 31 1/8
RDW3011	8 3/4 x 28	10 5/8 x 29 5/8
RDW2711	8 3/4 x 25	10 5/8 x 26 5/8
RDW2411	8 3/4 x 22	10 5/8 x 23 5/8
RDW2111	8 3/4 x 19	10 5/8 x 20 5/8
RDW1811	8 3/4 x 16	10 5/8 x 17 5/8
RDW1511	8 3/4 x 13	10 5/8 x 14 5/8
RDW1211	8 3/4 x 10	10 5/8 x 11 5/8
RDW3010	N/A	9 1/8 x 29 5/8
RDW2710	8 1/2 x 25	9 1/8 x 26 5/8
RDW2410	N/A	9 1/8 x 23 5/8

PART	1/2" Overlay	Full Overlay
RDW2110	N/A	9 1/8 x 20 5/8
RDW1810	N/A	9 1/8 x 17 5/8
RDW1510	N/A	9 1/8 x 14 5/8
RDW1210	N/A	9 1/8 x 11 5/8
RDW3609	7 x 34	8 5/8 x 35 5/8
RDW2409	9 1/2 x 22	N/A
RDW2109	9 1/2 x 19	N/A
RDW1809	9 1/2 x 16	N/A
RDW1509	9 1/2 x 13	N/A
RDW1209	9 1/2 x 10	N/A
RDW3308	N/A	7 5/8 X 32 5/8
RDW3108	N/A	7 5/8 x 31 1/8
RDW3008	N/A	7 5/8 X 29 5/8
RDW2708	N/A	7 5/8 X 26 5/8
RDW2408	N/A	7 5/8 x 23 5/8
RDW2108	N/A	7 5/8 x 20 5/8
RDW1808	N/A	7 5/8 x 17 5/8
RDW1508	N/A	7 5/8 x 14 5/8
RDW3007	7 1/2 x 28	N/A
RDW2707	7 1/2 x 25	N/A
RDW4506*****	5 3/4 x 20 1/2	6 1/8 x 22 1/8
RDW4206	5 3/4 x 40	6 1/8 x 41 5/8
RDW4006	5 3/4 x 37	6 1/8 x 38 5/8
RDW3906	5 3/4 x 17 1/2	6 1/8 x 19 1/8
RDW3606	5 3/4 x 34	6 1/8 x 35 5/8
RDW3306	5 3/4 x 31	6 1/8 x 32 5/8
RDW3106	5 3/4 X 29 1/2	N/A
RDW3006	5 3/4 x 28	6 1/8 x 29 5/8
RDW2706	5 3/4 x 25	6 1/8 x 26 5/8
RDW2406	5 3/4 x 22	6 1/8 x 23 5/8
RDW2106	5 3/4 x 19	6 1/8 x 20 5/8
RDW1806	5 3/4 x 16	6 1/8 x 17 5/8
RDW1706	5 3/4 x 14 1/2	6 1/8 x 16 1/8
RDW1506	5 3/4 x 13	6 1/8 x 14 5/8
RDW1206	5 3/4 x 10	6 1/8 x 11 5/8
RDW0906	5 3/4 x 7	6 1/8 x 8 5/8
RDW0606*****	5 1/2 x 5 13/16	5 1/2 x 5 13/16
*****For spice drawer cabinet only		
RDW3604	3 1/2 x 34	N/A
RDW3304	3 1/2 x 31	4 1/8 x 32 5/8
RDW3004	3 1/2 x 28	4 1/8 x 29 5/8
RDW2704	3 1/2 x 25	4 1/8 x 26 5/8
RDW2604	3 1/2 x 25	4 1/8 x 26 5/8
RDW2404	3 1/2 x 22	4 1/8 x 23 5/8
RDW2104	3 1/2 x 19	4 1/8 x 20 5/8
RDW1804	3 1/2 x 16	4 1/8 x 17 5/8
RDW1704	3 1/2 x 14 1/2	N/A
RDW1504	3 1/2 x 13	4 1/8 x 14 5/8

CODE	PAGE	CODE	PAGE	CODE	PAGE	CODE	PAGE	CODE	PAGE
1		1WTD	L18	3		3VEBIS	L6	4VIC	L9
		1YKS	L10			3VEDOL	L6	4VS	L23
161	M36	2		3003	M36	3VEMIR	L6	4VSWTDS	G58
171	M36			3004	M37	3VESAT	L6	4VWTDS	G58
181	M36	205	M36	3013	M37	3VESLK	L6	4WTD	L18
191	M36	2ATQ	L16	3015	M36	3VIC	L9	4YKS	L10
1ATQ	L16	2BIS	L11	3018	M37	3VS	L23		
1BIS	L11	2CAS	L25	3019	M37	3WTD	L18	5	
1CAS	L25	2CG	L19	3020	M37	3YKS	L10	506	M36
1CDXROT	G7	2CHA	L8	3021	M37			5DXROT	K19
1CG	L19	2CKB	L24	3023	M38	4		5SDXROT	K20
1CHA	L8	2CLI	L8	3024	M38	4ATQ	L16	5TD	D59, E51, F29
1CKB	L24	2CRO	L14	3035	M38	4BIS	L11		
1CLI	L8	2DOL	L25	3036	M38	4CAS	L25	6	
1CRO	L14	2DRS.PREP	L12	3037	M38	4CG	L19	634	M36
1DOL	L25	2DXROT	K19	3038	M38	4CHA	L8	6DXROT	K19
1DRS.PREP	L12	2EV	L19	3042	M38	4CKB	L24	6SDXROT	K20
1DXROT	K19	2FRBIS	L4	3043	M38	4CLI	L8	6TD	D59, E51, F29
1EV	L19	2FRDOL	L4	3ATQ	L16	4CRO	L14		
1FRBIS	L4	2FRMIR	L4	3BIS	L11	4DOL	L25	7	
1FRDOL	L4	2FRSAT	L4	3CAS	L25	4DRS.PREP	L12	7017	M38
1FRMIR	L4	2FRSLK	L4	3CG	L19	4DXROT	K19	7023	M39
1FRSAT	L4	2HE	L20	3CHA	L8	4EV	L19	7025	M39
1FRSLK	L4	2LIS	L14	3CKB	L24	4FRBIS	L4	7026	M39
1HE	L20	2MD	L22	3CLI	L8	4FRDOL	L4	7033	M39
1LIS	L14	2MIR	L17	3CRO	L14	4FRMIR	L4	7034	M40
1MD	L22	2MOI	L26	3DOL	L25	4FRSAT	L4	7035	M40
1MIR	L17	2MRF	L14	3DRS.PREP	L12	4FRSLK	L4	7040	M40
1MOI	L26	2MRT	L26	3DXROT	K19	4HE	L20	7053	M40
1MRF	L14	2PA	L20	3EV	L19	4LIS	L14	7054	M40
1MRT	L26	2PAL	L9	3FRBIS	L4	4MD	L22	7065	M41
1PA	L20	2PEN	L9	3FRDOL	L4	4MIR	L17	7066	M41
1PAL	L9	2PRA	L15	3FRMIR	L4	4MOI	L26	7067	M41
1PEN	L9	2PRI	L13	3FRSAT	L4	4MRF	L14	7068	M41
1PRA	L15	2RA	L21	3FRSLK	L4	4MRT	L26	7070	M42
1PRI	L13	2RAV	L26	3HE	L20	4PA	L20	7071	M42
1RA	L21	2SAT	L15	3LIS	L14	4PAL	L9	7077	M42
1RAV	L26	2SD	L21	3MD	L22	4PEN	L9	7080	M42
1SAT	L15	2SDXROT	K20	3MIR	L17	4PRA	L15	7081	M43
1SD	L21	2SHW	L13	3MOI	L26	4PRI	L13	7085	M43
1SDXROT	K20	2SLK	L17	3MRF	L14	4RA	L21	7086	M43
1SHW	L13	2STY	L27	3MRT	L26	4RAV	L26	7087	M43
1SLK	L17	2TD	D59, E51, F29	3PA	L20	4SAT	L15	7088	M43
1STY	L27	2VADD	G58	3PAL	L9	4SD	L21	7104	M39
1TD	D59, E51, F29	2VAU	L27	3PEN	L9	4SDXROT	K20	7105	M39
1UDXROT	G2	2VEBIS	L6	3PRA	L15	4SHW	L13	7106	M39
1VADD	G58	2VEDOL	L6	3PRI	L13	4SLK	L17	7107	M41
1VAU	L27	2VEMIR	L6	3RA	L21	4STY	L27	7108	M41
1VEBIS	L6	2VESAT	L6	3RAV	L26	4TD	D59, E51, F29	7109	M41
1VEDOL	L6	2VESLK	L6	3SAT	L15	4VADD	G58	7110	M42
1VEMIR	L6	2VIC	L9	3SD	L21	4VAU	L27	7111	M42
1VESAT	L6	2VS	L23	3SDXROT	K20	4VEBIS	L6	7112	M42
1VESLK	L6	2VSWTDS	G58	3SHW	L13	4VEDOL	L6	7113	M43
1VIC	L9	2VWTDS	G58	3SLK	L17	4VEMIR	L6	7114	M43
1VS	L23	2WTD	L18	3STY	L27	4VESAT	L6	7115	M44
1VSWTDS	G58	2YKS	L10	3TD	D59, E51, F29	4VESLK	L6	7116	M44
1VWTDS	G58			3VAU	L27			7117	M44

CODE	PAGE	CODE	PAGE	CODE	PAGE	CODE	PAGE	CODE	PAGE
7118	M44			AU	J7	BMS	E45	CP	M33-34
7119	M44	A		AVGSK	K14	BMSPP	E44	CPE	M12
7120	M45	AB	J2	AVGSKWA	K14	BOAC	E30	CPLB	C15
7121	M45	ABBC	J5	AVGSKWZ	K14	BOACS	K17	CR	M12
7122	M45	ABD	J3	AWAS	K15	BOCU	E16	CRHCP	D48
7123	M45	ABDT	J6	AWE	M10	BODWC	E39	CRHF	D35
7124	M45	ABDW	J5	AWEZRS	K15	BOE	C18	CTM	M13
7125	M45	ABEC	J6	AWMTK	J9	BOX	N3-6	CTS	M4
7126	M45	ABEP	J8	AWS	K15	BPM	M12	CUTOUT	K3
7127	M46	ABF	J8	AWSK	J8	BPP	E40	CVBBE	M13
7128	M46	ABFH	J2-3	AWT	I6	BPPS	E7	CVC	M29
7129	M46	ABMW	J5			BPPUS	E43	CVL	M32
7130	M46	ABPP	J2	B		BS	K17	CVLR	M14
7131	M46	ABSR	J4	B	E1-3, E43, E45	BSDC	E44	CVMM	M18
7132	M46	ABWB	J7	BA	E26	BSIBSS	K17	CW	C20
7133	M46	AC	M28, N10	BB	E53, E65	BSS	E43	CW.CH	C23
7134	M46	ACM	M10	BBC	E23-24	BTP	E40	CW.ID	C22
7135	M46	ADBE	C19	BBD	E7	BUP	E42	CW.ID.CH	C24
7136	M46	ADD	E51, I10	BBK	E53	BWBB	E46-47	CW.RD	C21
7137	M47	ADDIV	E51, I10	BBMC	E20	BWBT	E45-46	CW.RD.CH	C24
7138	M47	ADE	C19	BC	E65	BWR	E39	CWC	M13
7139	M47	ADTE	C19	BCA	E33	BWTDXROTK	N1	CWE	M13
7140	M47	ADVE	C19	BCAS	K17			CWT	I6
7141	M47	ADWE	C19	BCC	E44	C			
7146	M47	AGSK	K14	BCD	E29	CAPDR	K2	D	
7147	M48	AGSKPWA	K14	BCS	E41-42	CAPDW	K4	DB	H11
7148	M48	AGSKWA	K14	BCSRK	E49	CAPFO	K3	DBE	C17
7151	M48	AGSKWZ	K14	BCSS	E29	CBDMK	E55	DC	H11
7152	M48	AICM	M10	BD	E6	CBE	M26	DCDK	E62
7153	M48	ALS	J6	BDDC	E8	CBEB	C16	DCL	M31
7154	M48	ALSEP	J9	BDW	E20	CBF	N9	DCSK	E60
7156	M48	AOC	J7	BEA	E33	CC	E54	DDB	E18
7159	M49	AOSC	M10	BEAS	K17	CCB	I7	DDFD	H4
7160	M49	APBBC	J5	BEB	C15	CCK	E54, N9	DDO	H2-3
7161	M49	APC	C10	BEC	E33	CCL	I7	DDR	H3
7162	M49	APDRL	K6	BECs	K17	CCM	M12	DE	M15
7165	M49	APDRNH	K6	BEMM	M18	CCR	I7	DEP	E67, G56
7166	M50	APDRR	K6	BEP	E67	CD	E56	DEZR	H7
7167	M50	APDW	K7	BEPL	K10	CDAK	E56	DF	G57, H9
7168	M50	APFC	C10	BEZRS	K17	CDK	E56	DFC	H11
7169	M50	APL	M32	BF	E62	CDXROT	G7	DFD	H3
7170	M51	APSB	E13	BFC	E65	CFO	C25	DFF	H9
7171	M51	APSB	E13	BFF	E63	CGD	E58	DFOL	H9
7172	M51	APWAS	K15	BFOL	E63	CGPB	K12	DIP	E18
7173	M51	APWEZRS	K15	BFP	E40	CH	C21	DKD	H6
7174	M51	APWS	K15	BIAC	E30	CHB	E55	DL	M31
7175	M51	APWSK	K6	BIACS	K17	CHBK	E55	DM	M16
7176	M51	ARL	M30	BLB	E43	CIECL	M33	DMSD	H3
7177	M51	ASB	J4	BLR	M11	CL	M31	DOK	F28
7183	M51	ASBEOS	J6	BLTK	E69, F36, G72, H14, I13	CLDF	C33	DOS	D51
7184	M51	ASF	J4	BM	M11	CM	M15	DOSA	D52
7185	M51	ASI	M26	BMC	E18-19	CMCK	E20	DP	E52
7186	M51	ASL	M30	BMCDE	E19	COB	C31	DRB	E17
7187	M51	ASPBEOS	J6	BMCE	E18-19	COC	C31	DREP	F34
7188	M52	ASPO	M28	BMDC	E19	COMM	M18	DRPD	C32
7189	M52	ASRB	J4	BMHK	F5	COS	C31	DS	D52
		ATF	J8			COT	C31	DSA	D52

CODE	PAGE	CODE	PAGE	CODE	PAGE	CODE	PAGE	CODE	PAGE
DSB	E12	FP	M33-34	KSCCK	E55	MSB	C25	PBWTVPDR	N2
DSBE	E13	FPEB	C10	KSK	E54	MSBE	M19	PCBFC	E66
DSTK	N4	FPMBEP	E68	L		MSBM	M19	PCBFF	E64
DTCCK	E60	FPMWEP	D69		MSBP	M19	PCDFC	H12	
DTE	C17	FRL	M33		MSBWE	M20	PCDFF	H10	
DVE	C17	FS	N15		MSM	M19	PCRH	D35	
DVTEP	F33	FSCI	E59		MSOTB	C26	PCSTBC	E66	
DWBT	H4	FSCIK	E59		MSP	F14	PCSTVC	G67	
DWBT	H5	FSP	M34		MSPB	C26	PCTFC	F32, G67	
DWE	C17	FW	11		MSPBS	K17	PCVFF	G65	
DWP	E20-21	FWG	C29		MSPDSS	K17	PCWFC	D67	
DWTEP	F33	FWT	12		MSPSWS	K17	PCWFF	D64	
DXROT	E50, K19			LFDM	M17	MSSB	M5	PCWT	16
		G		LM	M17	MSTR	M16	PDO	E58
E		GD	C32	LOSC	M13	MSUB	C26	PDOPK	E58
EDB	N8	GSK	K14	LRM	M21	MSUT	C26	PDRTKD	N2
EGE	M27	GSKPWA	K14	LS	E25	MSW	C25	PE	C10
EPC	M29	GSKWA	K14	LSA	E26	MTEP	F35, G70-71	PEZR	E31
EPCM	M16	GSKWZ	K14	LSAS	K17	MTK	E69, F36, G72, H14, I13	PEZRS	K17
EPL	M31			LSEP	E25	MVEP	G68-69	PFDR	N3
EPLG	M31	H		LSK	D60, E50	MWCS	K16	PFM	G40
EPLR	M16	HK	G60	LSKC	D60	MWEP	D68	PH12C	N7
EPSTR	M14	HSD	E16	LSTCM	M23			PH12PO	N7
EZR	E27-28			LSTR	M23	N		PH1516FO	N7
EZRS	K17	I		LTV	G38	NBM	M11	PH170EZ	N8
		IBSS	C31	LUM	M25	NSDLXTK	E52	PH34FO	N7
		ICAF	D63, E63, G63	LW	D27	NSDLK	E52, G59	PHBF	N8
F		ICAFOL	D63, E63, G63	M		NSDLR	G59	PHFM	N7
FB	15	ICM	M13	M.MBEP	E68	O		PIECL	M33
FBG	C29	ID	C20	M.MDEP	H13	O	D56, H2	PMBEP	E67
FBS	I3-4	ID.CH	C23	M.MTEP	F36, G72	OC	F18-23	POTK	E53
FCCP	F27	IEB	E37	M.MVEP	G70	OGE	M20	PRH	D36
FCE	F26	IECDO	E35	MAS	M4	OGM	M20	PRHCP	D48
FCEC	F27	IECDW	E36	MBEP	E67-68	OGP	M21	PS	F13
FCEP	F27	IECFDO	E37	MBM	M18	OLC	M29	PSD	E45
FCES	K16	IEG	E38	MC	G35-36	OLM	M27	PSP	M34
FD	19	IET	E38	MCB	E34	OLPO	M28	PTH	D58
FDL	M31	IETL	E38	MCC	F23	OPWBC	D69, E68	PTWT	16
FE	D65	IF	C25	MCCD	F24	OSC	M13	PUCP	D62
FE	E64, H10	ILR	M17	MCCDE	F25	OTK	F28	PW	D9-10
FEB	17	IMCB	C30	MCCE	F24	OVR	M28	PWA	D21-22
FEL	17	IMCU	C30	MCS	K18, M20	OW	H1	PWAS	K16
FER	17	IMCW	C30	MCTS	M4			PWBC	D14
FFB	D13	IUCS	C31	MCU	F13	P		PWD	C34
FFE	D65, E65, H11	IVI	M27	MCW	D24	PAWT	16	PWEZR	D22
FH	C32	IWS	C31	MDEP	H13	PB	E4-6	PWEZRS	K16
FL	M32			MDRS	N6	PBA	E32	PWHCC	D37
FLS	I8-9	K		MFWE	M18	PBAS	K17	PWHCCFPV	D38
FLSC	18	KBD	H6	MIAPFC	C11	PBBC	E24	PWHCCRPV	D39
FLSCM	M17	KBDK	H9	MIFP	C11	PBBC	E25	PWHCP	D48-49
FLSSM	M17	KCDOK	E52	MIP	C11	PBDRET	N3	PWS	K16
FM	G38-39, G54	KCSK	D59	MIV	C11	PBS	K17		
FMBEP	E68	KDD	H8	MLR	M18	PBWTBPPDR	N2	Q	
FMDEP	H13	KDDK	H8	MLSTR	M16	PBWTDC	N3	QP	N11
FMTEP	F36, G71	KMP	N9	MOSC	M19	PBWTDR	N1-2	QR	M21
FMVEP	G69	KS	E54	MS	M20	PBWTDXR	N3	QST	N12
FMWEP	D69	KSCC	E55						

CODE	PAGE	CODE	PAGE	CODE	PAGE	CODE	PAGE	CODE	PAGE
		SBMS	E11	SWCMSC	D33	UDXRROT	G2	VSB	G3-5, G8, G16, G43-46
		SBMSSK	E53	SWEOS	D25	UEB	F3	VSBA	G9-10
		SBP	M11	SWMSC	D32	UEB	F4	VSBFCC	G4
R		SBPBS	E58			UST	F6-8, F11-12	VSDC	D55
R	M27	SBPBSK	E58	T		UT	E54	VSF	G8
RB	E17	SBUDXRROT	E50	TASC	M27	UTK	E54	VSH	C27
RBFC	E66	SBWBR	E11	TBE	M11			VSK	K12
RBFF	E64	SC	M30	TBM	M11			VSRK	G60
RBKCGD	E58	SCDK	E56	TBP	M11	V		VST	C27
RC	M29	SCM	M22	TC	F31	V	M5-8	VSWTDSK	G58
RCDK	E62	SCVCS	M14	TCA	F16	VADDIV	G58	VTDW	C33
RCSK	E61	SCVLR	M14	TCAST	F16	VB	G18, G66	VTEP	F33
RCWB	E48, H8	SCVM	M14-15	TCS	M24	VBBC	G20	VTK	C35
RD	C20	SDC	D55	TEA	F17	VBD	G22-23	VTL	G27
RD.CH	C22	SDE	M26	TEAST	F17	VBEP	E67	VTWR	C27
RDFC	H12	SDI	E57	TEP	F34	VBP	G24	VU	G30-33
RDFE	H10	SDIK	E57	TFC	F31	VBWBT	G25	VV	G29
REP	F34	SDXRROT	K20	TFD	H6	VC	G17, G66	VVEP	G67
RFBFOL	E64	SF	E14	TIECL	M33	VCB	C27	VVIC	C27
RFDFOF	H10	SFA	E15	TKD	C36	VCD	G11-15, G47-50	VW	G34, G53
RFTFOL	F31	SFC	E15	TKFC	M34	VCDF	G13, G51-52	VWB	G34
RFVFOF	G65	SFDM	M17	TKFCA	M34	VCN	G6	VWEP	D68
RFWFOF	D64	SGH	D58	TKFCR	M34	VCR	C27	VWR	G35
RH	D35	SHM	M22	TLL	M33	VCV	C27	VWS	K18
RHCP	D48	SHO	M22	TLPO	M28	VDA	C33, G19	VWTDSK	G58
RIECL	M33	SK	K13	TLR	M24	VDDK	G59		
RM	M21	SM	M21	TOE	C18	VDEP	H12	W	
ROT	E49	SOS	D61	TP	N14	VDO	C33	W	D1-4, D54-55
ROTDK	K20	SOSSO	D61	TPL	M32-34	VDRSK	G59	WA	D15-16
RP	M33-34	SP	M35	TPLSK	E48	VDS	G55	WAAG	D18-19
RSK	D62	SPB	D61	TPP	F15	VDW	C34	WAG	D51
RSP	M35	SPBEOS	E34	TRC	M30	VEP	G68	WAIN01	K8
RTC	F26	SPCD	E57	TRM	M24	VEZR	G21-22	WAS	K16
RTCSK	E61	SPL	K11	TRMM	M18	VF	C27, G61, G64	WAST	D17
RTFC	F32	SRK	D60	TS	D53	VFC	G66	WB	D66
RTFF	F31	SRL	M31	TSA	D53	VFF	G64	WBC	D12
RTK	C35	SSB	M5	TSMM	M18	VFOL	G62	WBCST	D13
RTM	M21	ST	M23	TSS	D62	VFP	G24	WBEP	E67
RVFC	G67	STB	E62	TSSH	K16	VFPT	G60	WBL	E48, H8
RVFF	G65	STBC	E66	TTRM	M24	VGRB	C15	WC	D45, D66
RWB	E48	STDW	C34	TUK	N13	VGRPL	K10	WCA	D23
RWFC	D67	STIECL	M33	TV	G37	VGSK	K14	WCAS	K16
RWFF	D64	STL	M32	TVS	K18	VGSKWA	K14	WCAST	D23
		STLR	M23	TWE	M24	VHB	G25	WCD	D27
S		STLSTR	M23	TWR	C27	VHBT	G25	WCMSC	D32
S3S	M22	STM	M22	TWT	16	VHLC	G26	WCTEP	F36
SB	E8-10, E12	STMM	M18			VHLCT	G26	WDEP	H12
SBA	E15	STP	M33	U		VKD	G23	WDM	M25
SBB	E53	STR	M23	U	F1-5, F10	VLC	G26-29	WDP	C34
SBBC	E14	STSTR	M23	UC	F8-9	VLCWBT	G26	WDWC	D28
SBCC	E11	STTC	F32	UCAPFO	K3	VMA	G36	WEA	D24
SBDSU	E58	STVC	G66	UCC	F5	VMAS	K18	WEC	D24
SBDSUK	E58	STWC	D45	UCDS	D52	VMC	G36	WECS	K16
SBDXRROT	E50	STWC	D67	UCP	D62	VMCS	G37	WEP	D68
SBE	M11	SUM	M25	UCPWA	D62	VOE	C18	WEZR	D19-20
SBEOS	E34	SUT	E54	UCS	D57	VPL	K12	WEZRS	K16
SBM	M11	SUTK	E54	UCSC	D57	VPOA	G25	WF	D62

CODE	PAGE	CODE	PAGE	CODE	PAGE	CODE	PAGE	CODE	PAGE
WFC	D66	WSM	M25						
WFEP	I10	WST	D8						
WFF	D64	WSVWB	K18						
WFOL	D63	WTCD	E57						
WFP	D56, I12	WTCDCCK	E57						
WFS	I11	WTCDK	E57						
WHB	D39-40	WTDK	E51						
WHBC	D41	WTDSK	F29						
WHCC	D36	WTEP	F33						
WHCCFPV	D37	WTHARC	N1						
WHCCRPV	D38	WTHG	D6						
WHCP	D48-49	WTWR	C27						
WHCR	D45-47	WVEP	G67						
WHCV	D43	WWEP	D68						
WHMC	D44	WWH	D28						
WHMCP	D48-49	WWR	D55						
WHMM	D44	WZEP	F35						
WHMSV	D42								
WHVC	G1	X							
WHVCD	G2	XLACM	M10						
WHVD	G3	XLCVM	M14-15						
WHVOL	G1	XLFDM	M17						
WHVOR	G1	XLSTCM	M23						
WHVS	K18	XS	C28-29						
WIAC	D14	XSG	C29						
WIACS	K16								
WLBF	D53								
WMB	D34								
WMC	D30								
WMCD	D33								
WMCDE	D34								
WMCE	D31								
WMS	D34								
WMSC	D32								
WMSP	D54								
WMSPBS	K16								
WMTK E69, F36, G72, H14, I13									
WOAC	D15								
WOACS	K16								
WOC	D26								
WODWC	D29								
WOE	C18								
WOEVS	K16								
WPFEP	I10								
WPFP	I12								
WPFS	I11								
WPL	K9								
WPP	D54								
WPPST	D54								
WR	C28, D5								
WRS	K16								
WRTHG	D7								
WS	D59, K16								
WSC	D29								
WSGH	D58								
WSIWS	K16								
WSK	K9								

Notes

THE MASTERPIECE® COLLECTION MASCO CABINETY LIFETIME LIMITED WARRANTY

Masco Cabinetry LLC warrants to the original consumer purchaser that The Masterpiece® Collection cabinetry will be free from defects in material and workmanship under normal use for as long as you own the cabinetry. This warranty is not transferable. No changes or modifications can be made to this warranty except by an officer of Masco Cabinetry LLC.

Masco Cabinetry LLC may elect to repair or replace any defective product from The Masterpiece® Collection covered by our warranty.

THIS WARRANTY DOES NOT COVER:

The natural aging and darkening of wood color, or the inherent growth characteristics of, or variation in, wood. Defects caused by misuse, abuse, negligence, alterations, environmental conditions, improper installation, storage or handling.

As with other natural materials, wood is affected by environmental factors such as natural and artificial lighting. Darkening or mellowing of the wood can be expected and is a natural process of wood as it ages. Each wood species also exhibits its own distinctive patterns and characteristics that add to its natural beauty. These variations in color and characteristics are not considered imperfections or defects.

We further provide a LIFETIME LIMITED WARRANTY to the original purchaser on the door hinges and drawer glides for as long as you own the product. This LIFETIME LIMITED WARRANTY provides that the door hinges and drawer glides will be free from defects in material and workmanship under normal use. Replacement hinges and drawer glides are subject to their availability from our suppliers.

From time to time, we will change design, specifications, and materials as conditions require and improvements are developed, but we have no obligation to incorporate such changes in products we previously manufactured.

TO THE MAXIMUM EXTENT PERMITTED BY APPLICABLE LAW: THIS WARRANTY DOES NOT COVER INDIRECT, SPECIAL, INCIDENTAL, OR CONSEQUENTIAL DAMAGES, LOSS OF USE, OR LABOR EXPENSES IN UNINSTALLING OR INSTALLING ANY MATERIAL OR PARTS, WHETHER ARISING OUT OF BREACH OF WARRANTY, BREACH OF CONTRACT, NEGLIGENCE, TORT, OR ANY OTHER LEGAL THEORY, EVEN IF MASCO CABINETY LLC HAS BEEN ADVISED OF THE POSSIBILITY THEREOF. MASCO CABINETY LLC DISCLAIMS RESPONSIBILITY FOR DAMAGES IN EXCESS OF YOUR PURCHASE PRICE. Some provinces and some states do not allow the exclusion or limitation of incidental or consequential damages, so the above limitation or exclusion may not apply to you.

This warranty is only valid in the United States of America and Canada. This warranty gives you specific legal rights, and you may also have other rights that vary from state to state and from province to province.

To obtain performance under this warranty, you must contact The Masterpiece® Collection supplier and report, in writing, all defects claimed. If you have difficulty obtaining assistance, write to: The Masterpiece® Collection Warranty Department, Masco Cabinetry LLC, 15535 South State Ave, Middlefield, Ohio 44062 U.S.A.



MERILLAT CABINETY



MERILLAT CABINETRY

MERILLAT.COM

@MERILLAT



Actual colors may vary slightly due to printing limitations.
For full color accuracy, please visit your Merillat Cabinetry professional.

K-Cup® is a registered trademark
of Keurig Green Mountain, Inc.
Rubbermaid® is a registered trademark
of Rubbermaid Incorporated.
OXO is a product of OXO International, Ltd.

©2018 Masco Cabinetry LLC.
Printed in the USA (788238) R 3/18

