

Company: _____

Contact Name: _____

Address: _____

City / State / Zip: _____

Phone #: _____

Fax #: _____

Email: _____

Email (or fax) form to your authorized distributor:

Authorized Distributor: _____

Branch Location: _____

Email / Fax: _____



Ph: (877) 332-3396 Fx: (704) 332-3267
 www.element-designs.com orders@element-designs.com

Project Name: _____

Date: _____ PO #: _____

① Thickness (select one) 18mm 4mm (Full sheets available in 4mm ONLY. Specify below in special instructions)

② Color (select one)

<input type="checkbox"/> alpine white - 5910	<input type="checkbox"/> bordeaux - 5600	<input type="checkbox"/> brown - 5776
<input type="checkbox"/> white - 5907	<input type="checkbox"/> cobalt blue - 5380	<input type="checkbox"/> black - 5299
<input type="checkbox"/> opal white - 5196	<input type="checkbox"/> turquoise - 5471	<input type="checkbox"/> light grey - 5290
<input type="checkbox"/> latte - 5772	<input type="checkbox"/> kiwi - 5440	<input type="checkbox"/> stone grey - 5295
<input type="checkbox"/> pale ivory - 5525	<input type="checkbox"/> mint - 5421	<input type="checkbox"/> oxide red - 5771
<input type="checkbox"/> cappuccino - 5773	<input type="checkbox"/> orange - 5570	<input type="checkbox"/> signal red - 5655
<input type="checkbox"/> anthracite* - 5297 <small>(*ONLY available in 18mm)</small>		

③ Edge Radius (select one)

	<input type="checkbox"/> Straight
	<input type="checkbox"/> 1mm*
	<input type="checkbox"/> 2mm*
	<input type="checkbox"/> 3mm*

(*Available in 18mm ONLY - 4mm parapan will have straight edge)

④ Integrated Pull (optional)**

	<input type="checkbox"/> Standard
	<input type="checkbox"/> Curved
	<input type="checkbox"/> NONE

(**ONLY available in 18mm)

⑤ Hinge Hardware QTY: _____

Full Overlay Hinges	Half Overlay Hinges
<input type="checkbox"/> Soft Close (71B3550)	<input type="checkbox"/> Soft Close (71B3650)
<input type="checkbox"/> Self Close (71T5550)	<input type="checkbox"/> Self Close (71T5650)
<input type="checkbox"/> Free Swing (70T3580)	<input type="checkbox"/> Free Swing (70T3650)

Hinge Mounting Plates QTY: _____

0mm Do not include mounting plates

⑥ Decorative Hardware & Handles

Drill for handle holes (Must specify handle location on pg 2)

<small>Natural Anodized</small>	<small>Brushed Stainless & ORB</small>	<small>Various Finishes</small>
Knobs	Bar Pulls	Bar Pulls
<input type="checkbox"/> K001	<input type="checkbox"/> P1-127	<input type="checkbox"/> P1-76S
<input type="checkbox"/> K005	<input type="checkbox"/> P1-190	<input type="checkbox"/> P1-192S
<input type="checkbox"/> K006	<input type="checkbox"/> P1-250	<input type="checkbox"/> P1-320S
<input type="checkbox"/> K007	<input type="checkbox"/> P1-380	<input type="checkbox"/> P1-76ORB
<input type="checkbox"/> K008	<input type="checkbox"/> P1-640	<input type="checkbox"/> P1-192ORB
<input type="checkbox"/> K009	<input type="checkbox"/> P1-880	<input type="checkbox"/> P1-320ORB
		Finger Pulls
		<input type="checkbox"/> P2-42
		<input type="checkbox"/> P2-42S
		<input type="checkbox"/> P2-42ORB
		<input type="checkbox"/> Other

QTY: _____

Item	Qty	Dimensions (Max 39" x 118")		in or mm	Left (L)	Right (R)	Up (U)	Drawer (D)	Panel (P)	# Hinge Bore per Door	Element Designs Use Only	
		Width	Height								Price	Ext. Price
1					<input type="checkbox"/> L	<input type="checkbox"/> R	<input type="checkbox"/> U	<input type="checkbox"/> D	<input type="checkbox"/> P			
2					<input type="checkbox"/> L	<input type="checkbox"/> R	<input type="checkbox"/> U	<input type="checkbox"/> D	<input type="checkbox"/> P			
3					<input type="checkbox"/> L	<input type="checkbox"/> R	<input type="checkbox"/> U	<input type="checkbox"/> D	<input type="checkbox"/> P			
4					<input type="checkbox"/> L	<input type="checkbox"/> R	<input type="checkbox"/> U	<input type="checkbox"/> D	<input type="checkbox"/> P			
5					<input type="checkbox"/> L	<input type="checkbox"/> R	<input type="checkbox"/> U	<input type="checkbox"/> D	<input type="checkbox"/> P			
6					<input type="checkbox"/> L	<input type="checkbox"/> R	<input type="checkbox"/> U	<input type="checkbox"/> D	<input type="checkbox"/> P			
7					<input type="checkbox"/> L	<input type="checkbox"/> R	<input type="checkbox"/> U	<input type="checkbox"/> D	<input type="checkbox"/> P			
8					<input type="checkbox"/> L	<input type="checkbox"/> R	<input type="checkbox"/> U	<input type="checkbox"/> D	<input type="checkbox"/> P			
9					<input type="checkbox"/> L	<input type="checkbox"/> R	<input type="checkbox"/> U	<input type="checkbox"/> D	<input type="checkbox"/> P			
10					<input type="checkbox"/> L	<input type="checkbox"/> R	<input type="checkbox"/> U	<input type="checkbox"/> D	<input type="checkbox"/> P			
11					<input type="checkbox"/> L	<input type="checkbox"/> R	<input type="checkbox"/> U	<input type="checkbox"/> D	<input type="checkbox"/> P			
12					<input type="checkbox"/> L	<input type="checkbox"/> R	<input type="checkbox"/> U	<input type="checkbox"/> D	<input type="checkbox"/> P			
13					<input type="checkbox"/> L	<input type="checkbox"/> R	<input type="checkbox"/> U	<input type="checkbox"/> D	<input type="checkbox"/> P			
14					<input type="checkbox"/> L	<input type="checkbox"/> R	<input type="checkbox"/> U	<input type="checkbox"/> D	<input type="checkbox"/> P			
15					<input type="checkbox"/> L	<input type="checkbox"/> R	<input type="checkbox"/> U	<input type="checkbox"/> D	<input type="checkbox"/> P			
16					<input type="checkbox"/> L	<input type="checkbox"/> R	<input type="checkbox"/> U	<input type="checkbox"/> D	<input type="checkbox"/> P			
17					<input type="checkbox"/> L	<input type="checkbox"/> R	<input type="checkbox"/> U	<input type="checkbox"/> D	<input type="checkbox"/> P			
18					<input type="checkbox"/> L	<input type="checkbox"/> R	<input type="checkbox"/> U	<input type="checkbox"/> D	<input type="checkbox"/> P			

Special Instructions: _____

Hardware: _____

Subtotal: _____

Shipping: _____

T O T A L : _____

Hinge and Handle Specs

Please make copy and fill out 1 sheet for each different boring pattern.

Line Item # _____ (from pg 1) Customer Line Item # _____
(if applicable)

Hinge Borings

X1 = _____ (std=7/8") OR B = _____ (std=5 mm)

X2 TOP/LEFT = _____ (minimum = 3")
(std = 3 1/2")

X2 BOTTOM/RIGHT = _____ (minimum = 3")
(std = 3 1/2")

X3 = _____ (optional)

X4 = _____ (optional - not shown)

X5 = _____ (optional - not shown)

Handle Borings

of Holes: _____

K1 = _____ (Knob or Pull)
(Std = centered on frame)

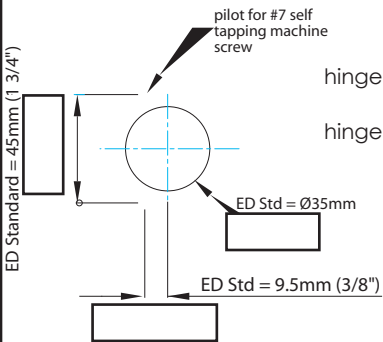
K2 = _____ (Knob or Pull)
(Min = 2 1/4") (Std = 2 1/2")

KC = _____ (Pull only)
(center to center distance)

Handle Hole Diameter = 11/64"

Contact Element Designs for special hardware borings (e.g. lift-up systems)

Hinge Boring Spec

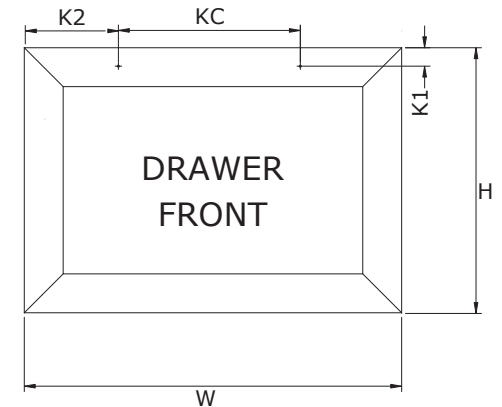
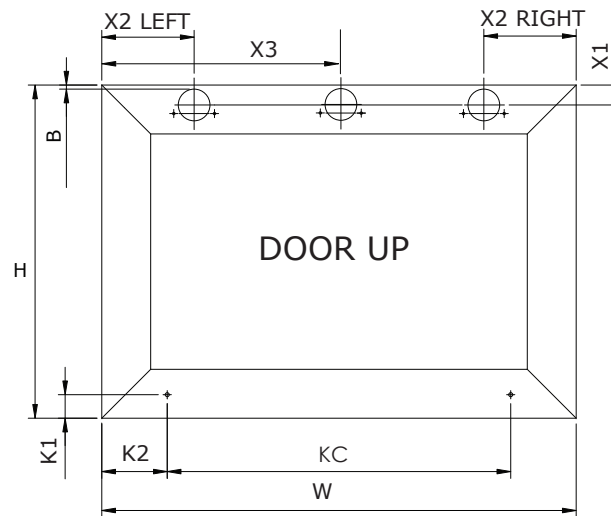
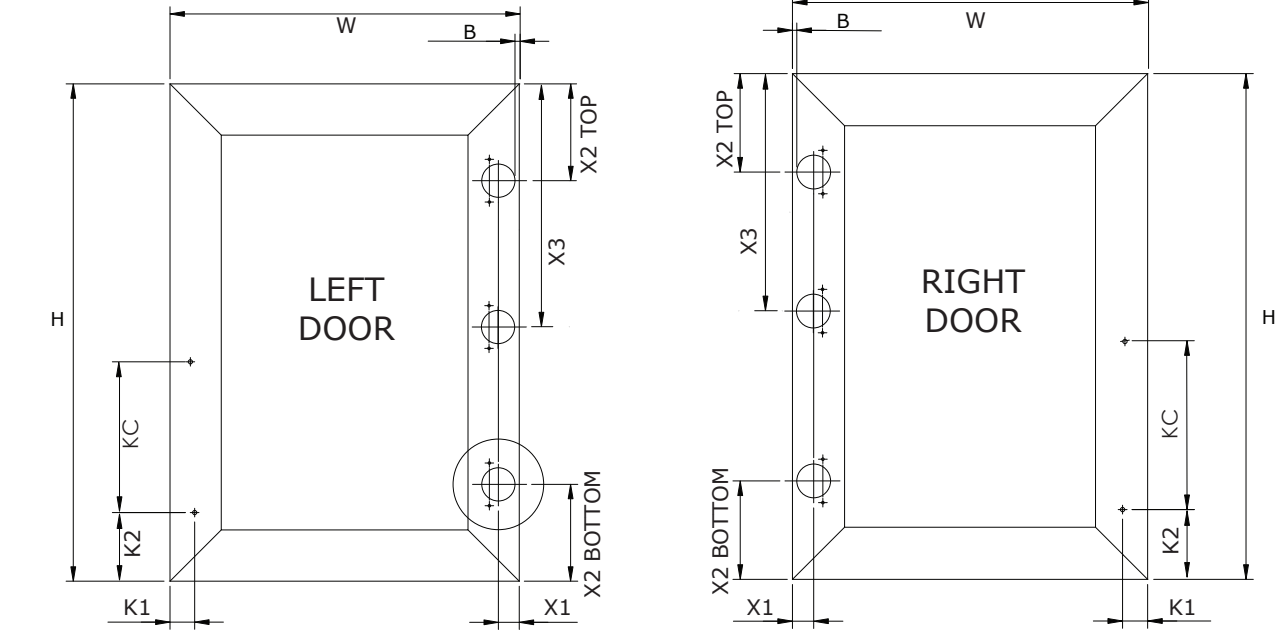


hinge mfg: _____

hinge part #: _____

** Hinge screws are included with each order **

BACK OF DOOR/ DRAWER FRONT SHOWN



for additional information or customer support
please call: (704) 332-3114
or (877) 332-3396