

Company: _____

Contact Name: _____

Address: _____

City / State / Zip: _____

Phone #: _____

Fax #: _____

Email: _____

Email (or fax) form to your authorized distributor:

Authorized Distributor: _____

Branch Location: _____

Email / Fax: _____



Ph: (877) 332-3396 Fx: (704) 332-3267
 www.element-designs.com orders@element-designs.com

Project Name: _____

Date: _____ PO #: _____

① Profile Type

- AF006 Available ONLY with opaque Backpainted Glass
- AF010

② Profile Finish

• Anodized Finish

- Natural Anodized Brushed
- Stainless
- Chrome (AF010 ONLY)

• Powder Coat Finish

- Oil Rubbed Bronze
- White Black

Please contact Element Designs for Sliding Doors and Aventos Door applications

③ Glass Type* (select one) all inserts are 5/32" (4mm)

- Low-Iron Satin (Acid Etched) Low-Iron Clear
- Smoked Grey** *Smoked glass tint may affect painted border color

*Glass finish will be Gloss unless otherwise specified.

④ Border Options All glass is tempered safety glass & will not have etched tempered logo unless otherwise specified at time of order. Refer to local building codes.

Paint Color

- White Scarlett Silver
- Black Olive Bronze
- Sand Mocha Charcoal
- Non-Standard Color: _____
- Custom Color*: _____

*Custom Color match approval & fee applies. Contact Element Designs for details.
 **Backpainted glass has a light gray backer, unless otherwise specified

Border Dimension

- Standard painted border = 2 1/4" from edge of glass
- Custom painted borders widths are possible, please submit drawing of design. Minimum border dimension is 2 1/4" from edge of glass
- Matte side facing in for satin glass unless otherwise specified

⑤ Hinge Hardware Selection

Wide Frame:

QTY: _____

Full Overlay (35mm cup) Half Overlay (35mm cup)

- Soft Close (71B3550) Soft Close (71B3650)
- Self Close (71T5550) Self Close (71T5650)
- Free Swing (70T3850) Free Swing (70T3650)

Hinge Mounting Plates: QTY: _____

- 0mm -173H7100 (Blum) Do not include mounting plates

Include Tip On Hardware: Yes QTY: _____

⑥ Decorative Hardware & Handles

Drill for handle holes (Must specify handle location on pg 2)

- | | | | |
|---|---------------------------------|---|--|
| <small>Natural Anodized</small> | | <small>Brushed Stainless & ORB</small> | <small>Various Finishes</small> |
| Knobs | Bar Pulls | Bar Pulls | Finger Pulls |
| <input type="checkbox"/> K001 <input type="checkbox"/> P1-127 | <input type="checkbox"/> P1-190 | <input type="checkbox"/> P1-76S <input type="checkbox"/> P1-192S | <input type="checkbox"/> P2-42 <input type="checkbox"/> P2-42S |
| <input type="checkbox"/> K005 <input type="checkbox"/> P1-250 | <input type="checkbox"/> P1-380 | <input type="checkbox"/> P1-320S <input type="checkbox"/> P1-76ORB | <input type="checkbox"/> P2-42ORB |
| <input type="checkbox"/> K006 <input type="checkbox"/> P1-640 | <input type="checkbox"/> P1-880 | <input type="checkbox"/> P1-192ORB <input type="checkbox"/> P1-320ORB | <input type="checkbox"/> Other |
| <input type="checkbox"/> K007 | | | |
| <input type="checkbox"/> K008 | | | |
| <input type="checkbox"/> K009 | | | |

QTY: _____

Item	Qty	Dimensions		in OR mm	Left (L)	Right (R)	Up (U)	Drawer (D)	Panel (P)	# Hinge Bore per Door	Element Designs Use Only	
		Width	Height								Price	Ext. Price
1					<input type="checkbox"/> L	<input type="checkbox"/> R	<input type="checkbox"/> U	<input type="checkbox"/> D	<input type="checkbox"/> P			
2					<input type="checkbox"/> L	<input type="checkbox"/> R	<input type="checkbox"/> U	<input type="checkbox"/> D	<input type="checkbox"/> P			
3					<input type="checkbox"/> L	<input type="checkbox"/> R	<input type="checkbox"/> U	<input type="checkbox"/> D	<input type="checkbox"/> P			
4					<input type="checkbox"/> L	<input type="checkbox"/> R	<input type="checkbox"/> U	<input type="checkbox"/> D	<input type="checkbox"/> P			
5					<input type="checkbox"/> L	<input type="checkbox"/> R	<input type="checkbox"/> U	<input type="checkbox"/> D	<input type="checkbox"/> P			
6					<input type="checkbox"/> L	<input type="checkbox"/> R	<input type="checkbox"/> U	<input type="checkbox"/> D	<input type="checkbox"/> P			
7					<input type="checkbox"/> L	<input type="checkbox"/> R	<input type="checkbox"/> U	<input type="checkbox"/> D	<input type="checkbox"/> P			
8					<input type="checkbox"/> L	<input type="checkbox"/> R	<input type="checkbox"/> U	<input type="checkbox"/> D	<input type="checkbox"/> P			
9					<input type="checkbox"/> L	<input type="checkbox"/> R	<input type="checkbox"/> U	<input type="checkbox"/> D	<input type="checkbox"/> P			
10					<input type="checkbox"/> L	<input type="checkbox"/> R	<input type="checkbox"/> U	<input type="checkbox"/> D	<input type="checkbox"/> P			
11					<input type="checkbox"/> L	<input type="checkbox"/> R	<input type="checkbox"/> U	<input type="checkbox"/> D	<input type="checkbox"/> P			
12					<input type="checkbox"/> L	<input type="checkbox"/> R	<input type="checkbox"/> U	<input type="checkbox"/> D	<input type="checkbox"/> P			

Special Instructions: _____

Knobs/Pulls:	
Hardware:	
Shipping:	
TOTAL:	

Hinge and Handle Specs

Line Item # _____ (from pg 1) Customer Line Item # _____
 (if applicable)

Please make copy and fill out 1 sheet
 for each different boring pattern.

Hinge Borings

X1 = _____ (std=7/8") OR B = _____ (std=5 mm)

X2 TOP/LEFT = _____ (minimum = 3")
 (std = 3 1/2")

X2 BOTTOM/RIGHT = _____ (minimum = 3")
 (std = 3 1/2")

X3 = _____ (optional)

X4 = _____ (optional - not shown)

X5 = _____ (optional - not shown)

Handle Borings

of Holes: _____

K1 = _____ (Knob or Pull)
 (Std = centered on frame)

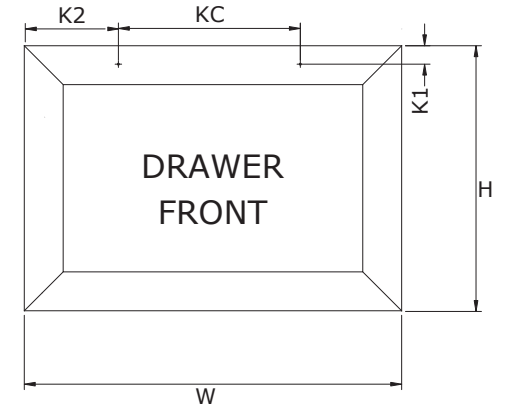
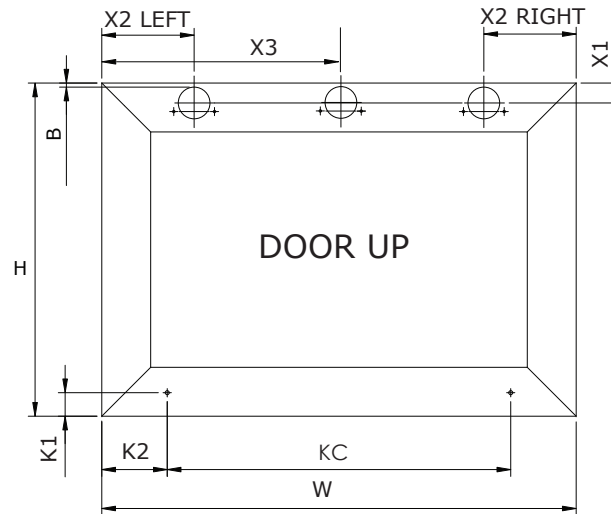
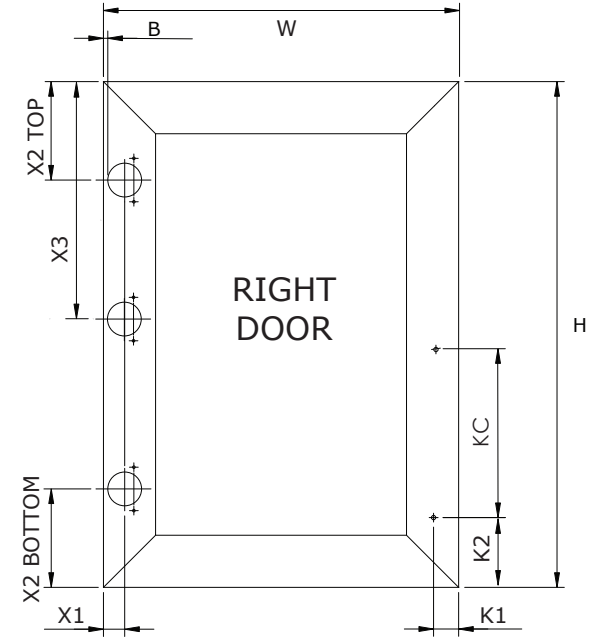
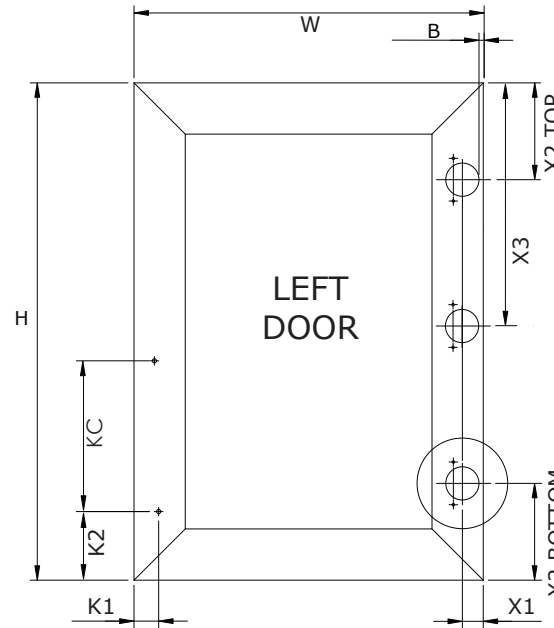
K2 = _____ (Knob or Pull)
 (Min = 2 1/4") (Std = 2 1/2")

KC = _____ (Pull only)
 (center to center distance)

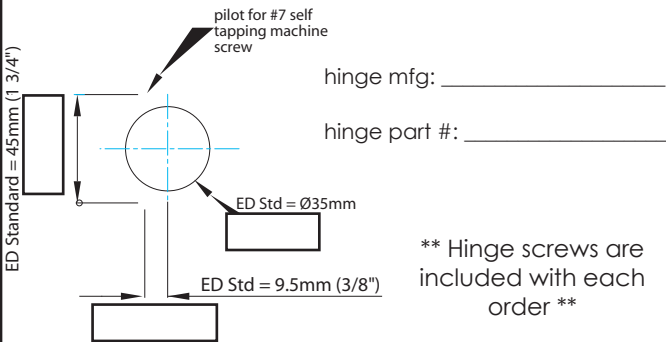
Handle Hole Diameter = 11/64"

Contact Element Designs for special hardware
 borings (e.g. lift-up systems)

BACK OF DOOR/ DRAWER FRONT SHOWN



Hinge Boring Spec



for additional information or customer support
 please call: (704) 332-3114
 or (877) 332-3396