

Company: \_\_\_\_\_  
 Contact Name: \_\_\_\_\_  
 Address: \_\_\_\_\_  
 City / State / Zip: \_\_\_\_\_  
 Phone #: \_\_\_\_\_  
 Fax #: \_\_\_\_\_  
 Email: \_\_\_\_\_

**Email (or fax) form to your authorized distributor:**

Authorized Distributor: \_\_\_\_\_  
 Branch Location: \_\_\_\_\_  
 Email / Fax: \_\_\_\_\_



Ph: (877) 332-3396 Fx: (704) 332-3267  
 www.element-designs.com orders@element-designs.com

Project Name: \_\_\_\_\_  
 Date: \_\_\_\_\_ PO #: \_\_\_\_\_

### 1 Profile Type

- AF001\*\*  AF002
- AF003  AF004
- AF005  AF006\*
- AF007  AF008\*\*
- AF009  AF010\*
- AF011

\*AF006 & AF010 available ONLY with opaque Backpainted Glass inserts

\*\* AF001 & AF008 are Narrow Profiles. Hinge fabrication must be done by Element Designs. **MAX 48" H or W**

### 2 Profile Finish

#### • Anodized Finish

- Natural Anodized
- Brushed Stainless
- Chrome (AF003 & AF010 ONLY)
- Arctic Gold (AF003 ONLY)

#### • Powder Coat Finish

- Oil Rubbed Bronze
- White  Black

### 3 Insert Type (select one) all inserts are 5/32" (4mm)

#### • Standard Glass Inserts:

- Satin (Acid Etched)  Lustral D  Reeded (Vertical)
- Clear  Austral  Reeded (Horizontal)
- Smoked Grey  Mirror  Master Carre
- Low-Iron Clear  Low-Iron Satin (Acid Etched)

#### • Backpainted Glass Inserts:

Finish (select one):  Gloss  Matte

Paint Color (select one):

- White  Scarlet  Silver
- Black  Olive  Bronze
- Sand  Mocha  Charcoal
- Non-Standard Color: \_\_\_\_\_
- Custom Color\*: \_\_\_\_\_

\*Custom Color match approval & fee applies. Contact Element Designs for details.  
 \*\*Backpainted glass has a light gray backer, unless otherwise specified

#### • 3form® Resin Inserts:

Pattern: \_\_\_\_\_

#### • PARAPAN® High Gloss Inserts:

Color: \_\_\_\_\_

#### • Metallic Inserts:

- Aluminum Laminate  Stainless Lam. (Vertical)
- Platinum Ice Acrylic  Stainless Lam. (Horizontal)

#### • Custom Etch: Positive Negative

\*Art work must be supplied, subject to set up fee. Contact Element Designs for details.  
 All glass is tempered safety glass & will not have etched tempered logo unless otherwise specified at time of order. Refer to local building codes.

NO INSERT

### 4 Hinge Hardware Selection

#### Wide Frame:

- QTY: \_\_\_\_\_
- Full Overlay (35mm cup)  
 Soft Close (71B3550)  
 Self Close (71T5550)  
 Free Swing (70T3580)

#### Half Overlay (35mm cup)

- Soft Close (71B3650)
- Self Close (71T5650)
- Free Swing (70T3650)

#### Narrow Frame\*:

\*ONLY AF001 & AF008

- QTY: \_\_\_\_\_
- Full Overlay (Narrow)  
 15mm Soft Close (71B950A)  
 15mm Self Close (73T550A)  
 17mm Self Close (71T950A)  
 19mm Self Close (C2Z6A99)  
 15mm Free Swing (72T550A)

#### Half Overlay (Narrow)

- Soft Close (71B960A)
- Self Close (71T560A)

#### Hinge Mounting Plates: QTY: \_\_\_\_\_

- 0mm  Do not include mounting plates

Include Tip On Hardware:  Yes QTY: \_\_\_\_\_

### 5 Decorative Hardware & Handles

Drill for handle holes (Must specify handle location on pg 2)

Natural Anodized		Brushed Stainless & ORB	Various Finishes
Knobs	Bar Pulls	Bar Pulls	Finger Pulls
<input type="checkbox"/> K001	<input type="checkbox"/> P1-127	<input type="checkbox"/> P1-76S	<input type="checkbox"/> P2-42
<input type="checkbox"/> K005	<input type="checkbox"/> P1-190	<input type="checkbox"/> P1-192S	<input type="checkbox"/> P2-42S
<input type="checkbox"/> K006	<input type="checkbox"/> P1-250	<input type="checkbox"/> P1-320S	<input type="checkbox"/> P2-42ORB
<input type="checkbox"/> K007	<input type="checkbox"/> P1-380	<input type="checkbox"/> P1-76ORB	
<input type="checkbox"/> K008	<input type="checkbox"/> P1-640	<input type="checkbox"/> P1-192ORB	
<input type="checkbox"/> K009	<input type="checkbox"/> P1-880	<input type="checkbox"/> P1-320ORB	<input type="checkbox"/> Other

QTY: \_\_\_\_\_

Item	Qty	Dimensions		in OR mm	Left (L)	Right (R)	Up (U)	Drawer (D)	Panel (P)	# Hinge Bore per Door	Element Designs Use Only	
		Width	Height								Price	Ext. Price
1					<input type="checkbox"/> L	<input type="checkbox"/> R	<input type="checkbox"/> U	<input type="checkbox"/> D	<input type="checkbox"/> P			
2					<input type="checkbox"/> L	<input type="checkbox"/> R	<input type="checkbox"/> U	<input type="checkbox"/> D	<input type="checkbox"/> P			
3					<input type="checkbox"/> L	<input type="checkbox"/> R	<input type="checkbox"/> U	<input type="checkbox"/> D	<input type="checkbox"/> P			
4					<input type="checkbox"/> L	<input type="checkbox"/> R	<input type="checkbox"/> U	<input type="checkbox"/> D	<input type="checkbox"/> P			
5					<input type="checkbox"/> L	<input type="checkbox"/> R	<input type="checkbox"/> U	<input type="checkbox"/> D	<input type="checkbox"/> P			
6					<input type="checkbox"/> L	<input type="checkbox"/> R	<input type="checkbox"/> U	<input type="checkbox"/> D	<input type="checkbox"/> P			
7					<input type="checkbox"/> L	<input type="checkbox"/> R	<input type="checkbox"/> U	<input type="checkbox"/> D	<input type="checkbox"/> P			
8					<input type="checkbox"/> L	<input type="checkbox"/> R	<input type="checkbox"/> U	<input type="checkbox"/> D	<input type="checkbox"/> P			
9					<input type="checkbox"/> L	<input type="checkbox"/> R	<input type="checkbox"/> U	<input type="checkbox"/> D	<input type="checkbox"/> P			
10					<input type="checkbox"/> L	<input type="checkbox"/> R	<input type="checkbox"/> U	<input type="checkbox"/> D	<input type="checkbox"/> P			
11					<input type="checkbox"/> L	<input type="checkbox"/> R	<input type="checkbox"/> U	<input type="checkbox"/> D	<input type="checkbox"/> P			
12					<input type="checkbox"/> L	<input type="checkbox"/> R	<input type="checkbox"/> U	<input type="checkbox"/> D	<input type="checkbox"/> P			

Special Instructions:

Knobs/Pulls:	
Hardware:	
Shipping:	
TOTAL:	

# Hinge and Handle Specs

Please make copy and fill out 1 sheet for each different boring pattern.

Line Item # \_\_\_\_\_ (from pg 1) Customer Line Item # \_\_\_\_\_  
(if applicable)

## Hinge Borings

X1 = \_\_\_\_\_ (std=7/8") OR B = \_\_\_\_\_ (std=5 mm)

X2 TOP/LEFT = \_\_\_\_\_ (minimum = 3")  
(std = 3 1/2")

X2 BOTTOM/RIGHT = \_\_\_\_\_ (minimum = 3")  
(std = 3 1/2")

X3 = \_\_\_\_\_ (optional)

X4 = \_\_\_\_\_ (optional - not shown)

X5 = \_\_\_\_\_ (optional - not shown)

## Handle Borings

# of Holes: \_\_\_\_\_

K1 = \_\_\_\_\_ (Knob or Pull)  
(Std = centered on frame)

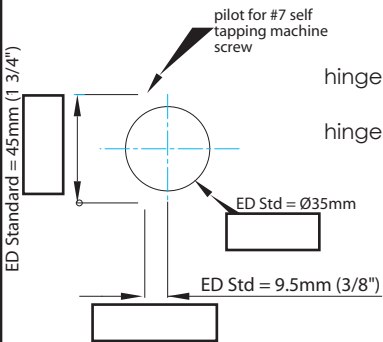
K2 = \_\_\_\_\_ (Knob or Pull)  
(Min = 2 1/4") (Std = 2 1/2")

KC = \_\_\_\_\_ (Pull only)  
(center to center distance)

Handle Hole Diameter = 11/64"

Contact Element Designs for special hardware borings (e.g. lift-up systems)

## Hinge Boring Spec

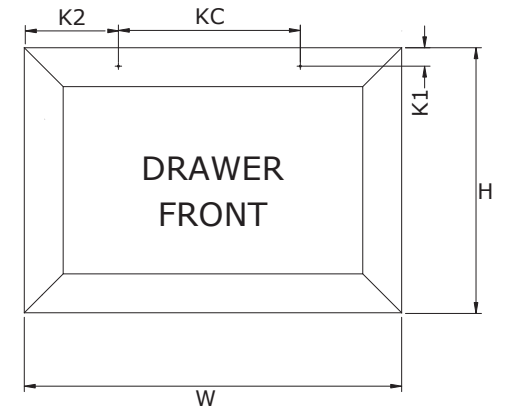
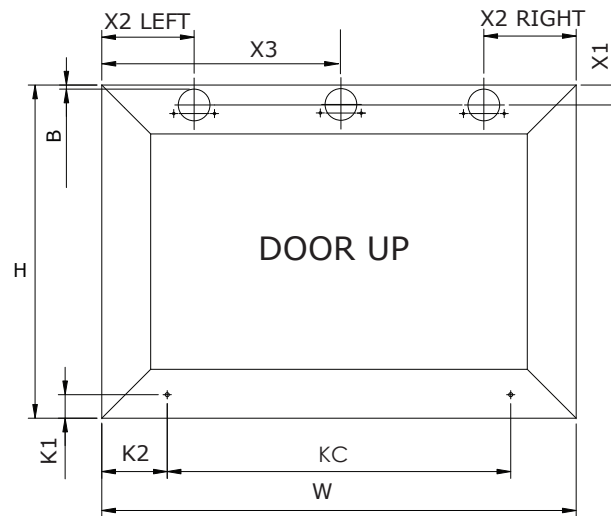
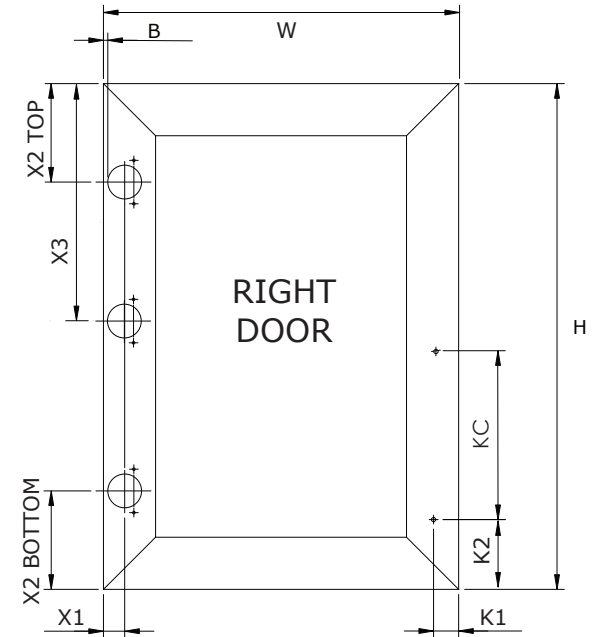
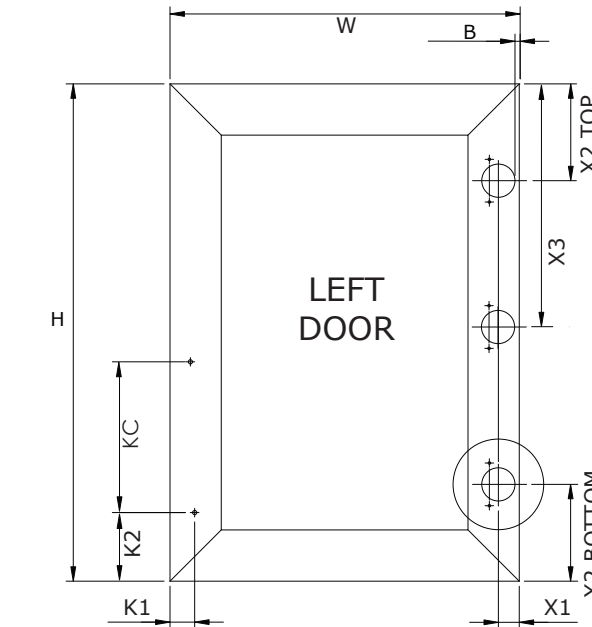


hinge mfg: \_\_\_\_\_

hinge part #: \_\_\_\_\_

\*\* Hinge screws are included with each order \*\*

## BACK OF DOOR/ DRAWER FRONT SHOWN



for additional information or customer support  
please call: (704) 332-3114  
or (877) 332-3396