



Roll-Ezy Ball Bearing Track for Large Sliding Glass Doors

SLIDING DOOR TRACK

- For 1/4" glass doors
- 3' to 12' lengths available



P992
(complete assembly)

Applications

Provides smooth, ball bearing track system for sliding 1/4" glass doors to move back and forth with ease. Ideal for larger glass door installations used in retail display cases, trophy cases, locking visible storage units, and more.

Mounting: Recessed or Surface

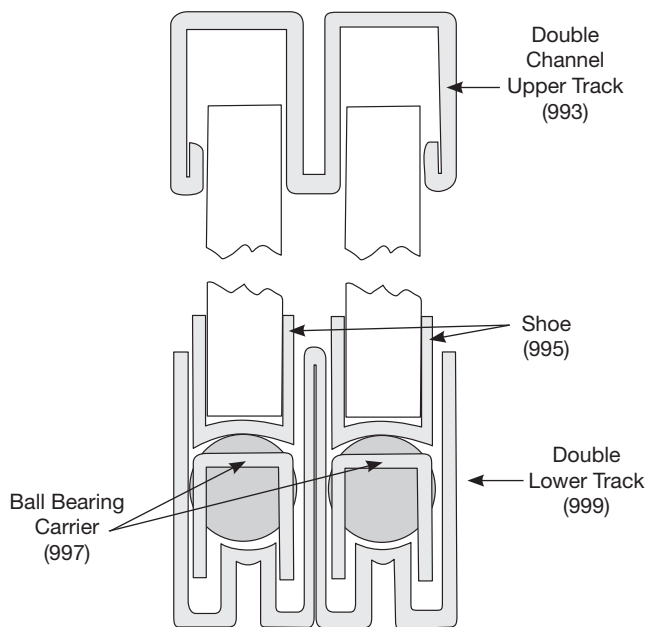
Material: Zinc plated steel

Finishes:

Zinc (ZC): Long-lasting, corrosion resistant finish

Features:

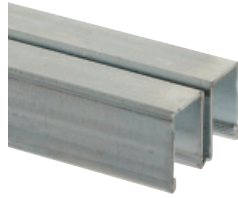
- Installs quickly and easily with nails or glue
- Allows heavy doors to slide easily
- Can be mounted on surface or recessed
- Ball bearing carrier has free-rolling balls on 3" (76.2mm) centers
- Wide divider on upper channel maintains door position
- Components can be easily cut to fit any opening up to 12 feet
- Available in prepackaged assemblies (P992) for 36", 48", 60" and 72" openings
- Made in the USA
- Available from open stock



Cross Section

Roll-Ezy Ball Bearing Tracks - STANDARD PACKS


953
Upper T Guide



993
Double Channel
Upper Track



995
Shoe



997
Ball Bearing Carrier

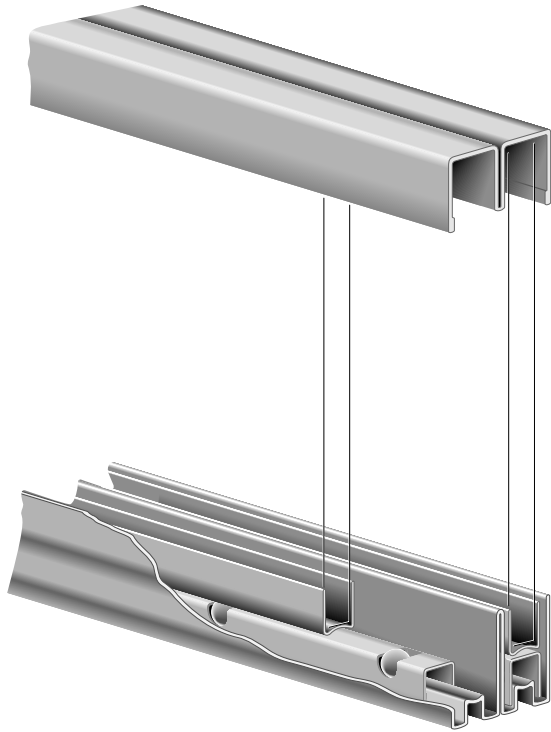


999
Lower Track

Standard Packs (1/carton)						
Description	Door Size	Width	Height	Length	Pre-coated Steel	Zinc
953 Upper T Guide (Use with wood frame installations.)	1/4"	5/8"	5/8"	72"	953 ZC 72	-
953 Upper T Guide (Use with wood frame installations.)	1/4"	5/8"	5/8"	96"	953 ZC 96	-
953 Upper T Guide (Use with wood frame installations.)	1/4"	5/8"	5/8"	144"	953 ZC 144	-
993 Upper Channel (For top and ends of opening. Wide divider maintains door position.)	1/4"	15/16"	5/8"	144"	-	993 ZC 144
995 Shoe (Lightly curved bottom for free rolling position on ball bearings.)	1/4"	5/16"	7/16"	144"	-	995 ZC 144
997 Ball Bearing Carrier (Free rolling balls on 3" centers. Unique design creates two point suspension between shoe and lower track.)	1/4"	3/8"	5/8"	144"	-	997 ZC 144
999 Lower Track (Balls ride freely on curved anvil with no contact against sides of lower track.)	1/4"	1"	1"	144"	-	999 ZC 144

NOTE: For each foot of opening, use: 1' of upper channel and lower track and shoe (plus 1" per door for overlap), with 1-1/2' of carrier (1-1/2 times door width for each door). Glass is cut 1-1/4" lower than height of opening.

Roll-Ezy Ball Bearing Tracks - PACKAGED ASSEMBLIES

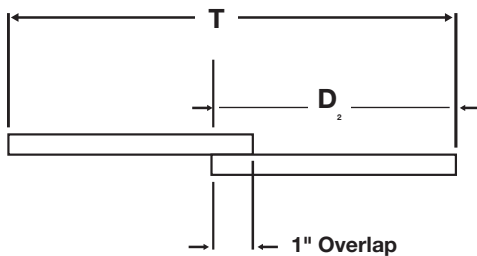


**P992
Complete Assembly Pack**

P992 Complete Assembly Packs (1 set)		
Each Set Contains:	Track Length	Zinc (ZC)
1 - Upper Channel (993)	36"	P992 ZC 36
2 - Shoe (995)	48"	P992 ZC 48
2 - Ball Bearing Carrier (997)	60"	P992 ZC 60
1 - Lower Track (999)	72"	P992 ZC 72

Knapé & Vogt does not recommend butt-joints and/or openings longer than 12 feet. Knapé & Vogt recommends that the height to width ratio for glass doors should not exceed 2:1.

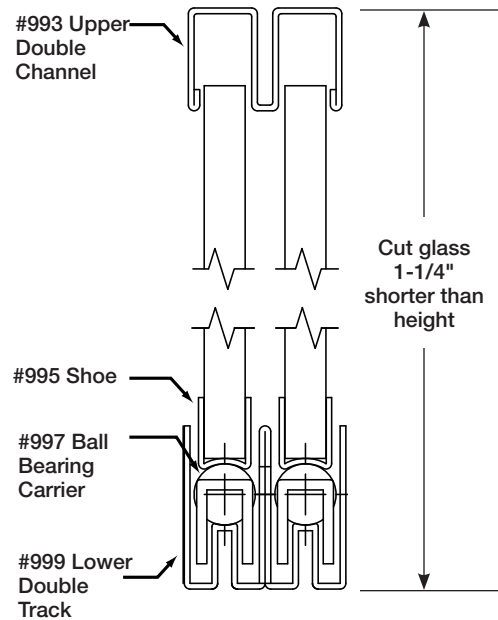
Installation



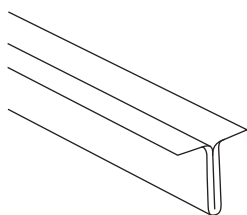
T = TOTAL WIDTH OF OPENING (IN.)
 $D_2 = T/2 + 1/2"$
 D_2 = DOOR WIDTH (IN.)
 #995 SHOE LENGTH = D_2

#997 BALL CARRIER LENGTH =

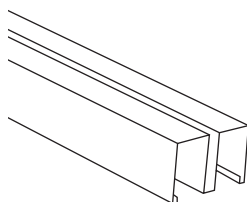
$$\left(\frac{T - D_2}{2} \right) + D_2$$



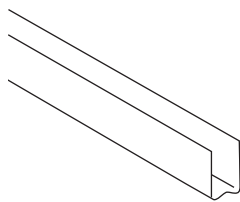
Roll-Ezy Ball Bearing Track for Sliding Glass Doors



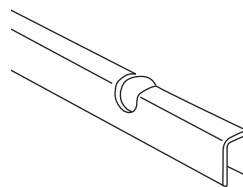
953
Upper T Guide



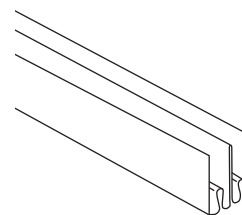
993
Double Channel
Upper Track



995
Shoe



997
Ball Bearing Carrier



999
Lower Track

1. PRODUCT NAME

Roll-Ezy Ball Bearing Track for Sliding Glass Doors. Provides a smooth, ball bearing track system for sliding glass doors to move back and forth with ease.

2. MANUFACTURER

Knappe & Vogt
2700 Oak Industrial Dr. NE, Grand Rapids, MI USA 49505-6026
(616) 459-3311 | www.kv.com

3. PRODUCT DESCRIPTION

Basic Use: Roll-Ezy Ball Bearing Track for Sliding Glass Doors provide a smooth track system for sliding glass doors to move back and forth with ease.

Composition and Materials: Pre-coated steel or Zinc.

Sizes:

953: 5/8" wide x 5/8" high x selected length

993: 15/16" wide x 5/8" high x selected length

995: 5/16" wide x 7/16" high x selected length

997: 3/8" wide x 5/8" high x selected length

999: 1" wide x 1" high x selected length

Lengths: 36", 48", 60", 72", 96", 144" (some lengths not available in standard or assembly packs.)

Finishes: Pre-coated Steel, Zinc.

4. TECHNICAL DATA

Applicable Standards: Roll-Ezy Ball Bearing Track for Sliding Glass Doors are tested to meet or exceed ANSI performance standards as established by BHMA in the Knappe & Vogt™ (KV) recommended application.

Results were obtained by laboratory testing in accordance with ANSI/ BHMA A156.9-2003 performance standard. Actual use conditions will typically result in lower load capacity than laboratory conditions.

Representative testing in a fully configured application is the only way to assure proper performance, durability, and safety.

Environmental Considerations:

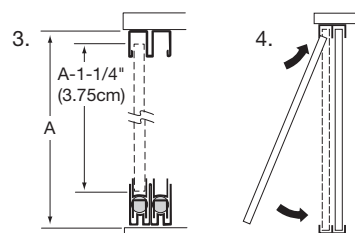
Environment: Excessive humidity, salts, or other chemical agents can corrode the finish and attack metal or plastic components.

Fastening: Inadequate or incorrect fasteners can result in the track or sheave pulling loose and causing damage.

Alignment: Improper track alignment can result in a sliding door system that is ineffective and unsafe.

5. INSTALLATION

1. Lay guide and track in recessed grooves or on surface.
2. Attach with small nails or glue.
3. Height of glass door should be 1-1/4" (3.75mm) shorter than distance between top of guide and bottom of track.
4. Place top of door in guide and swing bottom of door into track.



6. AVAILABILITY AND COST

Availability: Knappe & Vogt™ (KV) products are available from stocking distributors and through KV® Representatives worldwide.

Cost: Current pricing is available from area KV® Representatives. Please call for the nearest representative: (800) 253-1561.

7. WARRANTY

Limited Lifetime Warranty: Knappe & Vogt offers its standard Limited Lifetime Warranty to the initial purchaser of commercial products. This warranty covers defects in materials and workmanship which occur during normal use, and the remedy is limited to repair or replacement of defective products, at KV's option. Certain types of defects and damage are excluded from warranty coverage, costs and expenses are not covered, and additional restrictions apply. A copy of the Limited Lifetime Warranty, with all warranty details, limitations and disclaimers, is available on the Customer Care Connection location at www.kv.com or from KV Customer Service, 2700 Oak Industrial Drive, Grand Rapids, MI 49505, (800) 253-1561.

8. MAINTENANCE

Roll-Ezy Ball Bearing Track for Sliding Glass Doors require no maintenance. Inspect for proper fit periodically and adjust when necessary. Replace as required or recommended by application.

9. TECHNICAL SERVICES

Knappe & Vogt™ and area representatives can assist with any application. For further information, or for the name of the representative nearest you, please call Knappe & Vogt™ Customer Service: (800) 253-1561 or visit our website at www.kv.com.

10. FILING SYSTEMS

Additional product information, data sheets, application sheets, and a full catalog are available upon request from Knappe & Vogt™.

BHMA *Knappe & Vogt products follow the ANSI testing standards established by BHMA.*

Knappe & Vogt reserves the right to change product specifications at any time without notice and without incurring responsibility for existing units. This information conforms to editorial style prescribed by The Construction Specifications Institute.