

WOOD DRAWER PRODUCTION ORDER FORM - BHK OF AMERICA



Approximately 2-4 weeks lead time.
Note: 25 drawer minimum per SIZE. For less than 25 please ask about our one drawer minimum Fast Track Program for Type KD Drawers.

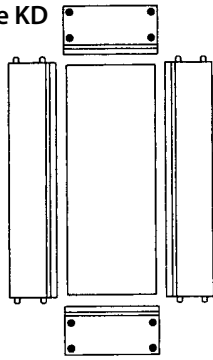
Fax: 888-558-2237

Date: _____
Customer Name: _____
Contact: _____
Address: _____
Baer Supply Account #: _____

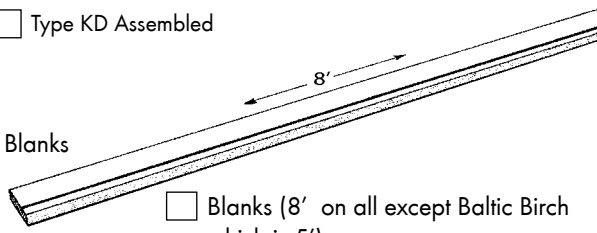
Select one:
 Quote Order
Purchase Order: _____
Quote Request: _____
Phone: _____
Fax: _____

Species:

- 1/2" Maple Plywood Grade C/C
- 12mm Baltic Birch Plywood Grade BB/BB
- 1/2" Imported Birch Plywood Grade C/2
- 1/2" Solid Birch Edgeglued
- 5/8" Solid Birch Edgeglued
- 5/8" Soft Maple Solid Wood
- 5/8" Aspen Solid Wood
- Other: (Please specify): _____

Type KD 

Type KD (Knock Down) with ready to assemble components
 Type KD Assembled

Blanks 

Blanks (8' on all except Baltic Birch which is 5')

Grade: _____ Thickness: _____

FINISH: UV Cured Prefinished Clear Unfinished

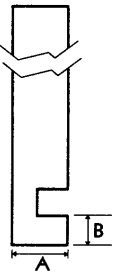
Top Edge: Flat Top Bullnosed

- Add Opaque Foil Top Edge
- Add Clear Foil Top Edge
- Add UV Cured Clear Edgebanding (Flat Top Only)
- Add Unfinished Edgebanding (Flat Top Only)
- No Top Edge Treatment

Quote with bottoms
 Quote without bottoms
 Groove for bottom

Groove starting point (B): 7/8" 1/2"
 Bottom thickness: 7/8" 1/4"

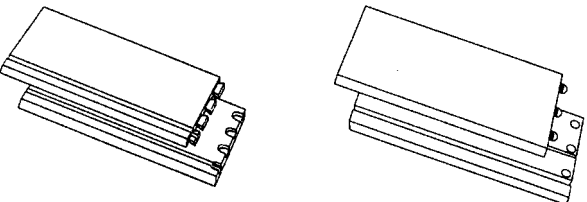
Note: Bottoms have a random grain direction unless otherwise specified.



Notched and drilled for undermount slides
 Slide brand: _____
 Special drilling for drawer face:

Joinery for KD components:

Dovetail Dowel



Note: please include drawing for special drilling.

Type KD

Quantity	Outside Length	Outside Width	Outside Height

Blanks

Quantity	Outside Height

VINYL DRAWER PRODUCTION ORDER FORM - BHK OF AMERICA



Approximately 2-4 weeks lead time.

Note: 100 drawer minimum per size. For less than 100 please ask about our one drawer minimum Fast Track Program.

Date: _____

Customer Name: _____

Contact: _____

Address: _____

Baer Supply Account #: _____

Drawer Vinyl Color: _____

Bottom Vinyl Color: _____

Type of Drawer:

- Type II Miterfold with Drilled & Doweled Butt Joint
- Type II Miterfold Assembled
- Type K-D (knock down) with Drilled & Doweled Components
- Type K-D Assembled
- Blanks 8"

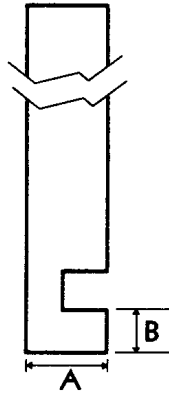
A. Thickness:

- 1/2" 5/8"

B. Groove Starting Point: _____

Special Drilling: _____

Note: Please include drawing for special drilling.



Select one:

- Quote Order

Purchase Order: _____

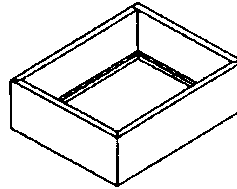
Quote Request: _____

Phone: _____

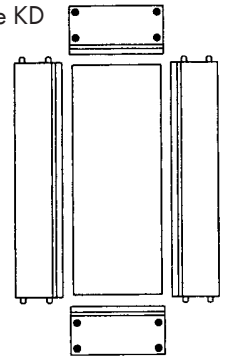
Fax: _____

Vinyl Colors		
White	Baltic Birch	Ticked Oak
Cream	Black Woodgrain	Natural Cherry
Black	Maple	White Maple
Aluminum	Beech	

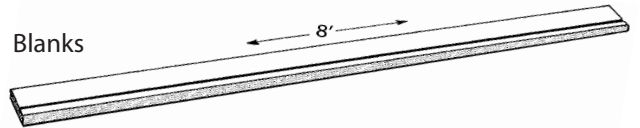
Type II



Type KD



Blanks



Do you need bottoms?: Yes No

What is the bottom thickness? _____

Type II or Type KD

Quantity	Outside Length	Outside Width	Outside Height

8' Blanks

Quantity	Outside Height

FAST TRACK ORDER FORM BHK OF AMERICA



Fax to: 888-558-2237

Date: _____

Baer Supply Account #: _____

Customer Name: _____

Contact: _____

Ship To: _____

Page _____ of _____

Select one:

Quote Order

Purchase Order #: _____

Quote Request #: _____

Phone: _____

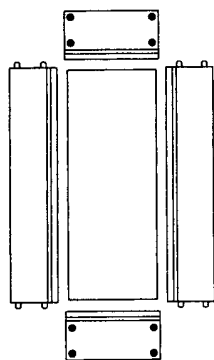
Fax: _____

7-10 Day Delivery!

STOP MAKING DRAWERS, START SAVING TIME AND MONEY!
A DRAWER FOR EVERY NEED. A DRAWER FOR EVERY PRICE POINT!

1/2" DURAWRAP® VINYL DOWELED COMPONENTS, FLAT TOP EDGE:

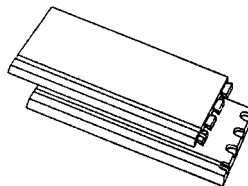
- White
- Black
- White Maple
- Unassembled
- Assembled



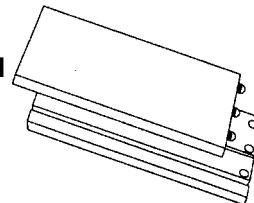
ENDURA® UV CURED PRE-FINISHED WOOD DRAWER COMPONENTS:

- 12mm Baltic Birch Plywood - Grade BB/BB-Bullnose Top Edge with Opaque Foil Edge
- 1/2" Maple Plywood - Grade C/C - Flat Top Edge with Veneer Edgebanding
- 1/2" Edgeglued Solid Birch- Prefinished Flat Top Edge
- 5/8" Edgeglued Solid Birch - Prefinished Flat Top Edge
- 5/8" Soft Maple Solid Wood
- 5/8" Aspen Solid Wood

Dovetail



Dowel



Unassembled

Assembled

No minimum quantity.

Bottom: Price includes 1/4" matching bottoms.

Available Standard Heights only:

2.0", 3.0", 3.5", 4.0", 5.0", 6.0", 7.0", 8.0", 10.0"

Quantity	Outside Length	Outside Width	Outside Height